



TTW4

Light Duty Commercial Through-The-Wall Energy Saver Gas Water Heaters



Photo is of
TW4-65S-70FB-3N

The TTW⁴ FVIR Defender Safety System[®] Models Feature (50 and 65 gallon models, only):

- **Advanced ScreenLok[®] Technology Flame Arrestor Design**—Flame arrestor is designed to prevent ignition of flammable vapor outside of the water heater
- **Flammable Vapor Sensor**—Electronic sensor prevents burner operation if flammable vapors are detected. The sensor will also prevent operation if there is ongoing flammable vapor burn inside the combustion chamber.
- **Maintenance Free**—No regular cleaning of air inlet openings or flame arrestor is required under normal conditions.
- **Sight Window**—Offers a view into the combustion chamber to observe the operation of the pilot and burner.
- **Pedestal Base**—Rugged and durable base allows easy transport and positioning, and provides corrosion resistant contact with floor.

All TTW⁴ Models Feature:

- **Powerful Blower Motor**—Our design has higher torque for greater resistance to outside winds and the power to eliminate problems with difficult venting situations. This significantly quieter motor runs cooler for a considerably longer operational life.
- **Spark-to-Pilot Ignition System**—Eliminates the constant burning pilot used on other water heaters. This device results in savings of pilot gas during standby periods (110 VAC required to heater).
- **Electronic Gas Control Valve**—The integrated, immersion gas control valve offers more precise temperature control for higher first hour delivery and also allows water temperature adjustment without removing the cover. The control is equipped with an LED to display heater status and aid in diagnostics.
- **Horizontal and Vertical Venting**—With 3" or 4" PVC, ABS, or CPVC (Maximum equivalent vent length on reverse side).
- **Vitraglas[®] Lining**—Bradford White water heater tanks are protected from the corrosive effects of hot water by a ceramic porcelain-like coating. The exclusive high silica ceramic lining provides a tough interior surface for our water heater tank.
- **More Precise Temperature Control**—With an adjustable temperature up to 180° F. Not recommended for 180° F sanitizing.
- **Stainless Steel Flue baffle**—Designed to maximize the amount of heat absorbed in the lower portion of tank. Reduces air movement in the heater during standby periods to retard heat loss up the flue.
- **Steel Tank**—Heavy gauge steel automatically formed, rolled and welded to assure a continuous seam for glass lining.
- **Side Connections**—Side tapplings allow easy connection for space heating applications.
- **Protective Magnesium Rod**—Provides added protection against corrosion for long trouble-free service.
- **Factory Installed Hydrojet[®] 2" Total Performance System**—Cold water inlet sediment reducing device. Helps prevent sediment build up in tank. Increases first hour delivery of hot water while minimizing temperature build up at top of tank. (TW4-75S has Factory Installed Hydrojet[®]).
- **Factory Installed Heat Traps**—Design incorporates a flexible disk that reduces heat loss in piping and eliminates the potential for noise generation.
- **Water Connections**—3/4" NPT factory installed true dielectric fittings. Extends water heater life and eases installation.
- **2" Non-CFC Foam Insulation**—Saves energy by retarding loss of heat.
- **Brass Drain Valve.**
- **T&P Relief Valve Installed.**
- **Design Certified by CSA International (formerly AGA and CGA).**



3 or 5-Year Limited Tank Warranties / 1-Year Limited Warranty on Component Parts.

For more information on warranty, please visit www.bradfordwhite.com

For products installed in USA, Canada and Puerto Rico. Some states do not allow limitations on warranties. See complete copy of the warranty included with the heater.

Bradford White received the highest numerical score among water heater/boiler manufacturers in the proprietary J.D. Power and Associates/ McGraw-Hill Construction 2006 HVAC and Water Heater/Boiler Subcontractor Satisfaction StudySM. Study based on 882 responses measuring 3 water heater/boiler manufacturers and measures opinions of subcontractors. Proprietary study results are based on experiences and perceptions of subcontractors surveyed in May through July 2006. Your experiences may vary. Visit jdpower.com

MANUFACTURED UNDER ONE OR MORE OF THE FOLLOWING U.S. PATENTS: 7,063,133 B2; 5,954,492; 5,954,492; 5,761,379; 5,943,984; 5,081,696; 5,988,117; 6,142,216; 5,199,385; 5,574,822; 5,372,185; 5,485,879; 5,277,171; (B1)5,341,770; 5,660,165; 5,596,952; 5,682,666; 4,904,428; 5,023,031; 5,000,893; 4,669,448; 4,829,983; 4,808,356; 5,115,767; 5,092,519; 5,052,346; 4,416,222; 4,628,184; 4,861,968; 4,672,919; Re. 34,534. OTHER U.S. AND FOREIGN PATENT APPLICATIONS PENDING. CURRENT CANADIAN PATENTS: 1,272,914; 1,280,043; 1,289,832; 2,045,862; 2,112,515; 2,108,186; 2,107,012; 2,092,105.. Defender Safety System[®], ScreenLok[®], TTW[®], Vitraglas[®] and Hydrojet[®] are registered trademarks of Bradford White[®] Corporation.

Commercial Through-The-Wall Gas Water Heater



Light Duty TTW®4 Energy Saver Models

NATURAL GAS AND LIQUID PROPANE GAS

Meet or exceed ASHRAE 90.1b (current standard) C.E.C. Listed
80% Recovery Efficiency

Model Number	Capacity		Recovery 100°F Rise*				A Floor to Vent Conn. in.	B Jacket Dia. in.	C Vent Size in.	D Floor to T&P Conn. in.	E Floor to Gas Conn. in.	F Floor to Space Heating Return in.	G Floor to Space Heating Outlet in.	H Floor to Heater Top in.	J Floor to Water Conn. in.	K Depth in.	Approx. Shipping Weight lbs.		
	U.S. Gal.	Imp. Gal.	Nat. BTU/Hr. Input	LP BTU/Hr. Input	Nat. U.S. GPH	LP U.S. GPH												LP Imp. GPH	
TW4-50S-67FB-3N	48	40	67,000	60,000	65	54	58	49	65%	22	3	50%	11%	13½	50%	56%	57%	26%	188
TW4-65S-70FB-3N	65	54	70,000	63,000	68	57	61	51	69	24	3	53½	11%	13½	53½	59%	60%	28%	222
TW4-75S-76B-3N	75	62	76,000	75,500	74	61	73	60	69%	26	3	53	15	17%	53	60%	61½	31	277

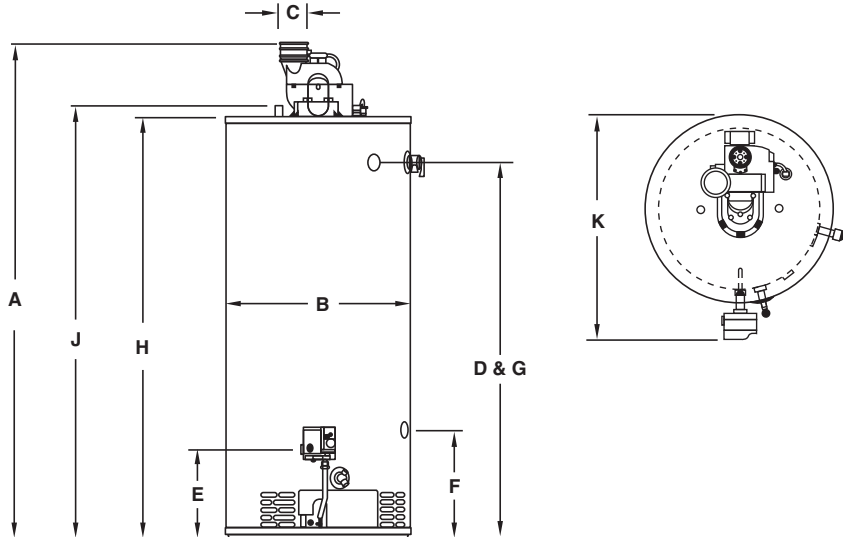
Model Number	Capacity		Recovery 56°C Rise*				A Floor to Vent Conn. mm.	B Jacket Dia. mm.	C Vent Size mm.	D Floor to T&P Conn. mm.	E Floor to Gas Conn. mm.	F Floor to Space Heating Return mm.	G Floor to Space Heating Outlet mm.	H Floor to Heater Top mm.	J Floor to Water Conn. mm.	K Depth mm.	Approx. Shipping Weight kg.
	Liters	kW Input	Nat. kW Input	LP kW Input	Nat. Liters/Hour	LP Liters/Hour											
TW4-50S-67FB-3N	182	19.6	17.6	246	220	1673	560	76	1273	320	343	1273	1432	1467	679	85	
TW4-65S-70FB-3N	246	20.5	18.5	257	231	1753	610	76	1360	320	343	1360	1511	1543	730	101	
TW4-75S-76B-3N	284	22.3	22.1	280	276	1772	660	76	1346	381	451	1346	1530	1562	787	126	

All propane heaters are equipped with a cast iron burner. To order a propane heater replace the suffix "B" with "C" and change the suffix "N" to "X". For 5 year models, change suffix from "3" to "5".

*Based on manufacturers rated recovery efficiency.

110 V.A.C. Required for Power Venting / 110 V.A.C. 60HZ 3.1 Amperes.

NSF construction available.



	3" Vent Pipe	4" Vent Pipe
TW4-50S-67 TW4-65S-70 TW4-75S-76		
Max. Equivalent Length	†60 ft.**	†180 ft.
Min. Equivalent Length	7 ft.	15 ft.
Number of 90° Elbows	1 2 3	55 ft. 175 ft. 170 ft. 165 ft.

Subtract 5ft. for each additional 90° elbow
†For high altitude installations, consult the installation instructions.

**TW4-75S Max. 3" vent length is 50ft.

Note: (TW4-75S will not have a pedestal base).

All natural gas models meet SCAQMD Requirements. Meets NAECA Requirements.

General

All gas water heaters are certified at 300 PSI (2068 kPa) test pressure and 150 PSI (1034 kPa) working pressure.

All water connections are 3/4" NPT (19mm) on 11" (279mm) centers, all gas connections are 1/2" (13mm).

All models design certified by CSA International (formerly AGA/CGA), ANSI Z-21.10.1 and/or 10.3 and peak performance rated.

Dimensions and specifications subject to change without notice in accordance with our policy of continuous product improvement.

Suitable for Water (Potable) Heating and Space Heating

Toxic chemicals, such as those used for boiler treatment, shall NEVER be introduced into this system. This unit may NEVER be connected to any existing heating system or component(s) previously used with a non-potable water heating appliance.



Ambler, PA

For U.S. and Canada field service, contact your professional installer or local Bradford White sales representative.

Sales 800-523-2931 • Fax 215-641-1670 / Technical Support 800-334-3393 • Fax 269-795-1089 • Warranty 800-531-2111 • Fax 269-795-1089

International: Telephone 215-641-9400 • Telefax 215-641-9750 / www.bradfordwhite.com



BRADFORD WHITE-CANADA INC. Sales / Technical Support 866-690-0961 / 905-238-0100 • Fax 905-238-0105 / www.bradfordwhite.com

Count On Bradford White

For Everything Hot Water™

©2007, Bradford White Corporation. All rights reserved.

Free Manuals Download Website

<http://myh66.com>

<http://usermanuals.us>

<http://www.somanuals.com>

<http://www.4manuals.cc>

<http://www.manual-lib.com>

<http://www.404manual.com>

<http://www.luxmanual.com>

<http://aubethermostatmanual.com>

Golf course search by state

<http://golfingnear.com>

Email search by domain

<http://emailbydomain.com>

Auto manuals search

<http://auto.somanuals.com>

TV manuals search

<http://tv.somanuals.com>