



BRADFORD WHITE[®]
W A T E R H E A T E R S

RESIDENTIAL GAS REPLACEMENT PARTS LIST
Energy Saver Direct Fired
CombiCor[®] (M2) Models

Dash Twelve (-12) Series

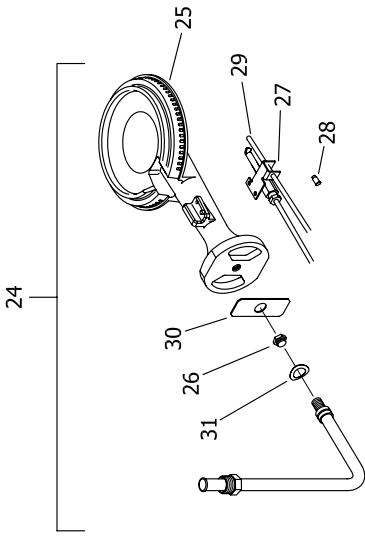
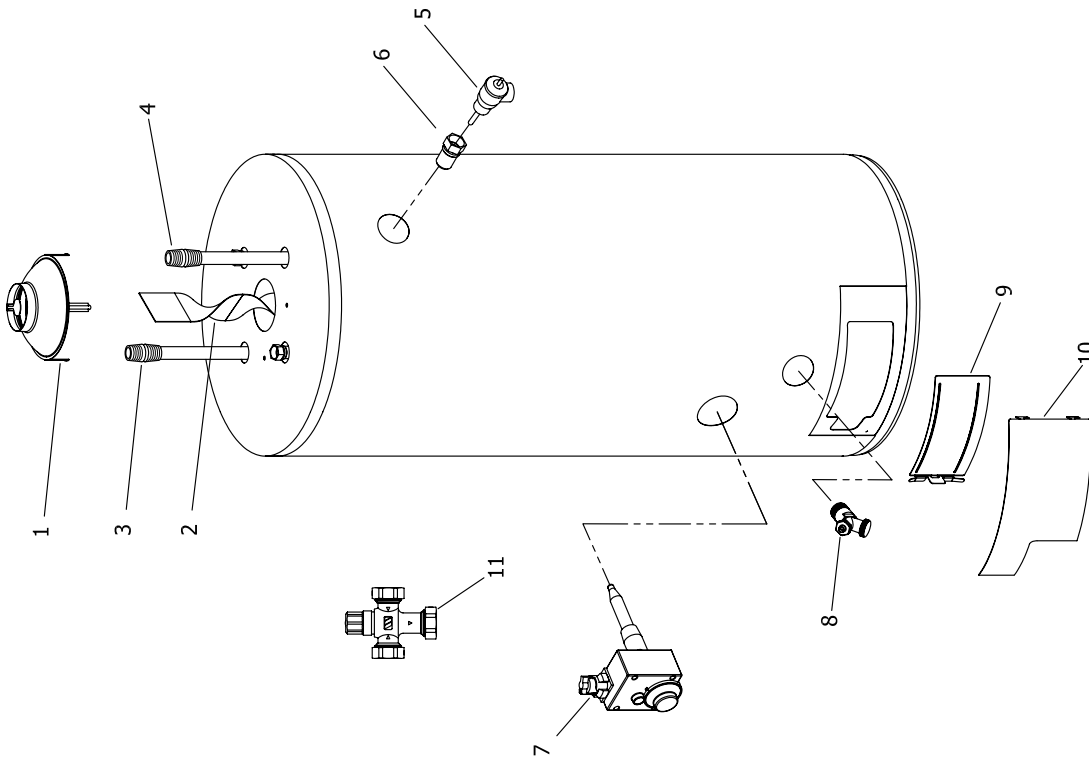


Includes Hydrojet[®]
Total Performance System

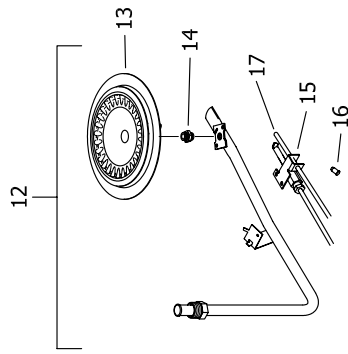
Effective: July 31, 2008
ECO 7291-2

**NOTE: BOTH MODEL AND SERIAL
NUMBERS ARE REQUIRED FOR
ORDERING REPLACEMENT PARTS**

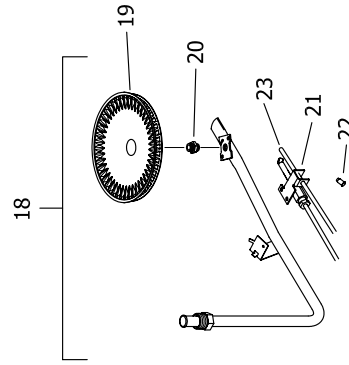
Dimensions and specifications
subject to change without notice.



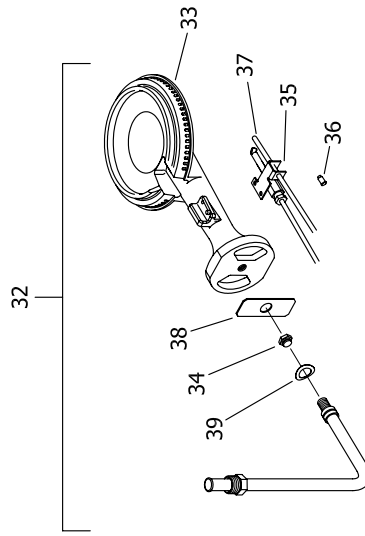
NATURAL GAS (CN) BURNER ASSEMBLY



NATURAL GAS (BN) BURNER ASSEMBLY



LP GAS (SX) BURNER ASSEMBLY



LP GAS (CX) BURNER ASSEMBLY

LP GAS (SX) BURNER ASSEMBLY TO REPLACE LP GAS (CX) BURNER ASSEMBLY
ON ALL MODELS EXCEPT 75 & 100 GAL. MODELS

Item	Description	Model	Model
		M2C504T*(CX,EN)-12	M2C75T*(CX,CN)-12
1	Draft Diverter	239-12950-00	239-12950-00
2	Flue Baffle	243-41037-00	243-42557-00
3	Hot Water Outlet Anode Magnesium	224-32731-86	224-32731-86
	Hot Water Outlet Anode Aluminum	224-32999-30	224-32999-30
	Hot Water Outlet Anode A420 Aluminum	224-45127-04	224-45127-04
4	Cold Water Inlet Diptube Polypropylene	229-39625-15	229-39625-15
	Cold Water Inlet Diptube Polysulfone (NC Code)	229-39628-19	229-39628-19
5	T&P Relief Valve	230-32920-01	230-32920-01
6	T&P Relief Valve Extender	229-19100-00	229-19100-00
7	Gas Valve Natural Gas	265-46365-03	265-46365-03
	Gas Valve LP Gas	265-46636-02	265-46636-02
8	Brass Drain Valve	265-42351-02	265-42351-02
9	Inner Door Complete (Sliding)	243-36739-02	243-39207-00
10	Outer Door	243-41061-00	243-37177-00
11	ASSE Approved Mixing Valve (Optional)	239-43740-01	239-43740-01
Natural Gas (BN) Burner Assembly		(Replacement for Natural Gas (EN) Burner Assembly)	
12	Nat. Gas (BN) Burner Assembly Complete**	265-47439-05-27	---
13	Nat. Gas (BN) Burner	228-42506-00	---
14	Nat. Gas (BN) Main Burner Orifice (0ft to 2000ft)	234-41034-27	---
	Nat. Gas (BN) High Altitude (2001ft to 5000ft)	234-41034-29	---
	Nat. Gas (BN) High Altitude (5001ft to 8000ft)	234-41034-30	---
	Nat. Gas (BN) High Altitude (8001ft & above)	234-41034-30	---
15	Nat. Gas Pilot Assembly	233-40248-05	---
16	Nat. Gas Pilot Orifice	234-46502-05	---
17	Thermocouple	233-46501-24	---
LP Gas (SX) Titanium Stabilized Stainless Steel Burner Assembly		(Replacement for LP Gas (CX) Cast Iron Burner M2C504T Only)	
18	LP Gas (SX) Burner Assembly Complete**	265-47440-08-43	---
19	LP Gas (SX) Burner	228-47000-00	---
20	LP Gas (SX) Main Burner Orifice (0ft to 2000ft)	234-47064-43	---
	LP Gas (SX) High Altitude (2001ft to 5000ft)	234-47064-46	---
	LP Gas (SX) High Altitude (5001ft to 8000ft)	234-47064-47	---
	LP Gas (SX) High Altitude (8001ft & above)	234-47064-47	---
21	LP Gas Pilot Assembly	233-40261-02	---
22	LP Gas Pilot Orifice	234-46502-02	---
23	Thermocouple	233-46501-24	---
Natural Gas (CN) Cast Iron Burner Assembly			
24	Nat. Gas (CN) Burner Assembly Complete**	---	265-41870-17-22
25	Nat. Gas (CN) Burner	---	228-14173-00
26	Nat. Gas (CN) Main Burner Orifice (0ft to 2000ft)	---	233-18194-22
	Nat. Gas (CN) High Altitude (2001ft to 5000ft)	---	233-18194-25
	Nat. Gas (CN) High Altitude (5001ft to 8000ft)	---	233-18194-29
	Nat. Gas (CN) High Altitude (8001ft & above)	---	233-18194-29
27	Nat. Gas Pilot Assembly (White Rodgers)	---	233-40248-05
28	Nat. Gas Pilot Orifice	---	234-46502-05
29	Thermocouple	---	233-46501-24
30	Air Shutter	---	239-35466-00
31	Spring Washer	---	239-40729-00
LP Gas (CX) Cast Iron Burner Assembly			
32	LP Gas (CX) Burner Assembly Complete**	SEE ITEM 18	265-41876-22-38
33	LP Gas (CX) Burner	SEE ITEM 18	228-14173-00
34	LP Gas (CX) Main Burner Orifice (0ft to 2000ft)	SEE ITEM 18	234-35928-38
	LP Gas (CX) High Altitude (2001ft to 5000ft)	SEE ITEM 18	234-35928-42
	LP Gas (CX) High Altitude (5001ft to 8000ft)	SEE ITEM 18	234-35928-43
	LP Gas (CX) High Altitude (8001ft & above)	SEE ITEM 18	234-35928-43
35	LP Gas Pilot Assembly	SEE ITEM 18	233-40261-03
36	LP Gas Pilot Orifice	SEE ITEM 18	233-46501-24
37	Thermocouple	SEE ITEM 18	233-46501-24
38	Air Shutter	SEE ITEM 18	239-35466-00
39	Spring Washer	SEE ITEM 18	239-40729-00

If your model number is found below, please contact manufacturer for service parts.
M2C504T10CN-10, M2C504T10CX-10, M2C75T10CX-10, M2C75T10CN-10, M2C504T10EN-10

*All warranties

**Ordering a complete burner assy may increase delivery time. Please order the specific component req'd for the quickest delivery



BRADFORD WHITE®

W A T E R H E A T E R S

Ambler, PA

For U.S. and Canada field service,
contact your professional installer or
local Bradford White sales representative.

Sales/800-523-2931
Fax/215-641-1670
Parts Fax/215-641-2180

Technical Support/800-334-3393
Fax/269-795-1089

Warranty/800-531-2111
Fax/269-795-1089

International:
Telephone/215-641-9400
Telefax/215-641-9750



BRADFORD WHITE-CANADA® INC.

Mississauga, ON

Sales/866-690-0961
905-238-0100

Fax/905-238-0105

Technical Support/800-334-3393

Email

parts@bradfordwhite.com
techserv@bradfordwhite.com

www.bradfordwhite.com

Free Manuals Download Website

<http://myh66.com>

<http://usermanuals.us>

<http://www.somanuals.com>

<http://www.4manuals.cc>

<http://www.manual-lib.com>

<http://www.404manual.com>

<http://www.luxmanual.com>

<http://aubethermostatmanual.com>

Golf course search by state

<http://golfingnear.com>

Email search by domain

<http://emailbydomain.com>

Auto manuals search

<http://auto.somanuals.com>

TV manuals search

<http://tv.somanuals.com>