

CARBON MONOXIDE ALARM

CAT. **CO400B/CO410B**



ELECTROCHEMICAL CO SENSING

Most accurate carbon monoxide sensor available* as compared to other technologies. Allows for greater temperature and humidity range variations and more accurate digital display readings (CO410B).

FRONT ACCESS BATTERY

Allows easy battery replacement.

SILENCE/TEST BUTTON

Single button tests alarm functions or silences unwanted alarms.

BACKLIT DIGITAL DISPLAY (CO410B)

Identifies CO hazard, stores, recalls and displays highest level of CO detected. Illuminates only when button is pressed or unit is alarming.

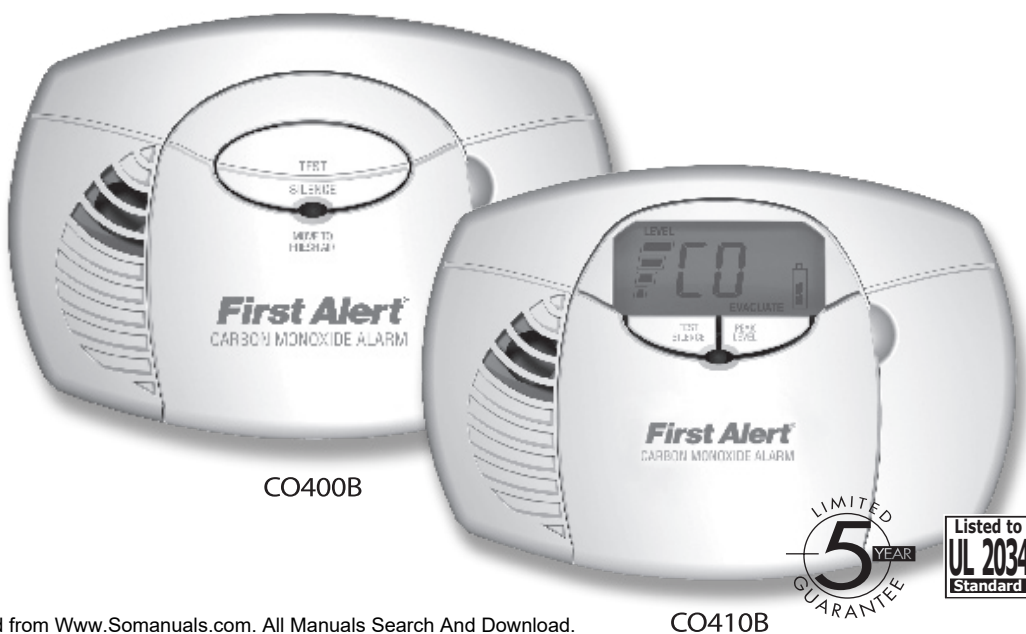
First Alert®

2 AA Battery Powered

Description:

The First Alert Cat. Nos. CO400B and CO410B are battery operated, 3V (two 1.5V AA batteries) single station carbon monoxide alarms specifically designed for residential and institutional applications including sleeping rooms of hospitals, hotels, motels, dormitories and other multi-family dwellings as defined in standard NFPA 720. Models CO400B and CO410B comply with UL2034, UL2034 Section 69.1 for use in recreational vehicles and unconditioned spaces, NFPA 720 and other agencies that model their codes after the above agencies.

First Alert CO400B and CO410B feature an electrochemical CO sensor, an 85dB horn, a single button for test/silence and a red LED that blinks to indicate unit is receiving power. The front access battery door allows battery access without removing the unit from the wall. The low power warning indicator will cause the alarm to "chirp" when the batteries need replacing. The low power warning indicator can be silenced for up to 8 hours. An Alarm Action Chart identifies action steps to take if unit is in alarm. First Alert CO410B also features a backlit digital display that shows visual confirmation of CO levels and has Peak Level Memory, remembers and displays the highest levels detected when the Peak Level button is pressed. Backlight illuminates only when any button is pressed or unit is in alarm. Includes mounting anchors and screws.



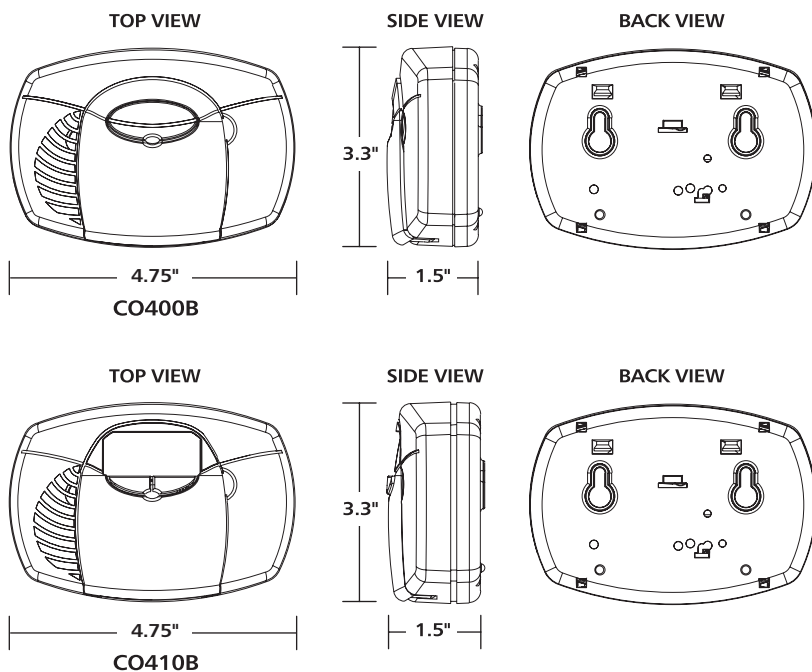
CO400B

CO410B

CAT. CO400B/CO410B



Two 1.5V AA Batteries



TECHNICAL SPECS:

Alarm Dimensions	3.3"H x 4.75"L x 1.5"D
Weight	5.5 oz (CO400B) 6.2 oz (CO410B)
Operating Voltage	Two 1.5V AA Batteries
Temperature Range	40°F (4°C) to 100°F (38°C)
Humidity Range	10% to 90% relative humidity (RH)
Audio Alarm	85dB at 10 feet
Test Button	Electronically simulates a carbon monoxide condition, causing the unit to alarm
Alarm Reset	Automatic when carbon monoxide clears; Press Test/Silence button to reset manually
Sensor	Electrochemical
Indicator LEDs	DC Power : Red LED flashes once per minute Local Alarm : Audio alarm (4 beeps, pause, 4 beeps) and rapidly flashing Red LED
Listing	UL 2034 Standard

SHIPPING SPECS:

	CO400B	CO410B
Individual Carton Dimensions	5.4"L x 1.6"W x 3.4"H	5.4"L x 1.6"W x 3.4"H
Weight	0.43 lbs	0.48 lbs
Cube	0.02 ft ³	0.02 ft ³
UPC	0 29054 00074 3	0 29054 00097 2
Master Carton Dimensions	7.4"L x 5.4"W x 6.1"H	7.4"L x 5.4"W x 6.1"H
Master Pack	6	6
Weight	2.92 lbs	3.21 lbs.
Cube	.14 ft ³	.14 ft ³
UPC	600 29054 00074 5	600 29054 00097 4
Pallet Information		
Cases per Layer	45	45
Number of Layers	6	6
Cases per Pallet	270	270
Cube	49.64 ft ³	49.64 ft ³
Weight	788.4 lbs.	866.7 lbs.

Distributed by:

*Based on claims of major manufacturers.



Manufactured By:
BRK Brands, Inc.
3901 Liberty Street Road
Aurora, IL 60504-8122

www.firstalert.com

First Alert® is a registered trademark of the First Alert Trust

©2007 BRK Brands, Inc.
All rights reserved
CM2795

ARCHITECTURAL AND ENGINEERING SPECIFICATION:

1. Electrochemical carbon monoxide sensor.
2. The unit shall be capable of self restoring.
3. The unit shall feature a backlit digital display (CO410B only) that shows visual confirmation of CO levels and has Peak Level Memory that remembers and displays the highest level detected when the Peak Level button is pressed.
4. Powered with two 1.5V AA batteries.
5. A solid state piezo horn rated at 85dB at 10 ft.
6. A visual LED (red) power-on indicator to confirm unit is receiving power.
7. A single button test/silence feature. Test button should check all alarm functions by simulating a carbon monoxide condition, causing the unit to alarm. The silence feature is to temporarily silence unwanted alarms.
8. The unit shall be capable of operating between 40° F (4° C) and 100° F (38° C) and relative humidity between 10% and 90%.
9. The unit will alarm at the following CO levels: 70 PPM between 60 and 240 minutes; 150 PPM between 10 and 50 minutes; 400 PPM between 4 and 15 minutes.
10. The unit shall include mounting hardware and shall be listed for wall mounting.
11. The unit shall at a minimum meet the requirements of UL2034.

INSTALLATION OF CARBON MONOXIDE ALARM

Installation of this carbon monoxide alarm must confirm to NFPA 720. Always check your local building codes. Follow all instructions for placement as outlined in the user's manual in sections titled "Recommended Locations for Carbon Monoxide Alarms" and "Locations to Avoid for Carbon Monoxide Alarms."

Free Manuals Download Website

<http://myh66.com>

<http://usermanuals.us>

<http://www.somanuals.com>

<http://www.4manuals.cc>

<http://www.manual-lib.com>

<http://www.404manual.com>

<http://www.luxmanual.com>

<http://aubethermostatmanual.com>

Golf course search by state

<http://golfingnear.com>

Email search by domain

<http://emailbydomain.com>

Auto manuals search

<http://auto.somanuals.com>

TV manuals search

<http://tv.somanuals.com>