

# CARBON MONOXIDE ALARMS

# First Alert®



## Cat. FCD2BN 120V AC Plug-In



### Description:

The FCD2BN is an AC-powered plug-in CO alarm. It is microprocessor controlled for accurate and reliable operation. Meets UL2034. Single-button test/silence. Permanent CO sensor. Alarm indicator light: Power shines constant red, during Alarm LED flashes when CO alarm levels are detected. Also have malfunction/service mode alert. Loud, 85dB horn. 5-Year Limited Warranty.



## Cat. FCD2DDBN 120V AC Plug-In w/Digital Display



### Description:

The FCD2DDBN is an AC-powered plug-in CO alarm with digital display. It is microprocessor controlled for accurate and reliable operation. Meets UL2034. Single-button test/silence. Permanent CO sensor. Peak Level Memory displays highest CO sensed. Alarm indicator light: Power shines constant red, during Alarm LED flashes when CO alarm levels are detected. Also have malfunction/service mode alert. Loud, 85dB horn. 5-Year Limited Warranty.



## Cat. FCD3BN 9V Battery Operated



### Description:

The FCD3BN is a basic battery-operated CO alarm designed for portability. Easily mounts on wall, ceiling or rests on dresser or shelf. Includes action chart describing how to respond to an alarm. Meets UL2034. Includes 9-volt alkaline battery. Test/silence button silences the alarm while continuing to monitor CO levels. Permanent CO sensor. Three indicator lights: Battery flashes green for power, Alarm flashes red when CO alarm levels are detected, Service flashes yellow if service or replacement is required. Loud, 85dB horn. 5-Year Limited Warranty.



## Cat. FCD4CN-3 120V AC Plug-In w/9V Battery Back-up and Digital Display



### Description:

The FCD4CN-3 is an AC-powered plug-in CO alarm with 9V battery backup, digital display and exclusive, patented IR remote control test/silence. Can be operated with most household TV/VCR remote controls. Microprocessor-controlled for accurate and reliable operation. Meets UL2034. Single-button test/silence/scroll function. 9-volt alkaline battery included. Digital display with Peak Level Memory. Permanent CO sensor. Alarm indicator light: Power shines constant red, during Alarm LED flashes when CO alarm levels are detected. Also have malfunction/service mode alert. Loud, 85dB horn. 5-Year Limited Warranty.



## Cat. SC01BN 9V Battery Operated Combination Smoke & Carbon Monoxide Alarm



### Description:

The SC01BN is a battery-operated smoke and CO combination alarm. Can be mounted on wall or ceiling. Meets both UL217 and UL2034. Includes 9-volt alkaline battery. Ionization smoke sensing technology provides warning in case of fire. CO alarm warns of elevated CO levels. Easy alarm identification through different horn sounds and lights. Test/silence button. Three indicator lights: Battery flashes green for power, Alarm flashes red when CO alarm levels are detected, Service flashes yellow if service or replacement is required. Loud, 85dB horn. 5-Year Limited Warranty.

# BRK ELECTRONICS®

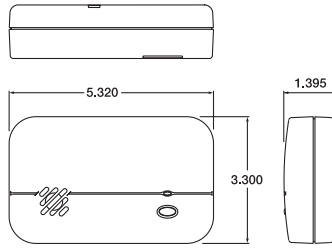


# CARBON MONOXIDE ALARMS

**First Alert®**

## FCD2BN Technical Specs

Alarm Dimensions: 5.3"L, 3.3"W, 1.4"H  
 Weight: 5.9 oz.  
 Operating Voltage: 120 VAC, 60 Hz  
 Power: .09 amps  
 Temp Range: 40°F (4°C) to 100°F (38°C)  
 Humidity Range: 10% to 90% Relative Humidity  
 Audio Alarm: 85dB at 10 ft.  
 Test Button: Electronically simulates a carbon monoxide condition, causing the unit to alarm  
 Alarm Reset: Automatic when CO clears; Press Test/Silence button to reset manually  
 Indicator LEDs: AC Power: Constant Red LED  
 CO Alarm: Audio Alarm (4 beeps, pause, 4 beeps) and rapidly flashing Red LED  
 Listing: UL2034



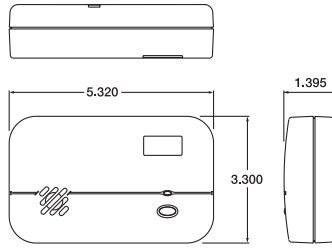
## FCD2BN Packaging Specs

Packaging Type: Carton

	Individual Carton	Master Pack
Dimensions:	8.66"L, 2.47"D, 5.66"H	15.63"L, 9.00"D, 6.31"H
Weight:	0.65 lbs	3.90 lbs
Cube:	0.07 ft <sup>3</sup>	0.51 ft <sup>3</sup>
UPC:	0 29054 15001 1	100 29054 15001 8
Quantity:	1	6

## FCD2DBN Technical Specs

Alarm Dimensions: 5.3"L, 3.3"W, 1.4"H  
 Weight: 5.9 oz.  
 Operating Voltage: 120 VAC, 60 Hz  
 Power: .09 amps  
 Temp Range: 40°F (4°C) to 100°F (38°C)  
 Humidity Range: 10% to 90% Relative Humidity  
 Audio Alarm: 85dB at 10 ft.  
 Test Button: Electronically simulates a carbon monoxide condition, causing the unit to alarm  
 Alarm Reset: Automatic when CO clears; Press Test/Silence button to reset manually  
 Indicator LEDs: AC Power: Constant Red LED  
 CO Alarm: Audio Alarm (4 beeps, pause, 4 beeps) and rapidly flashing Red LED  
 Listing: UL2034



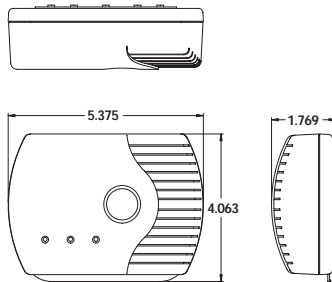
## FCD2DBN Packaging Specs

Packaging Type: Carton

	Individual Carton	Master Pack
Dimensions:	8.66"L, 2.47"D, 5.66"H	15.63"L, 9.00"D, 6.31"H
Weight:	0.68 lbs	4.08 lbs
Cube:	0.07 ft <sup>3</sup>	0.51 ft <sup>3</sup>
UPC:	0 29054 85633 3	100 29054 85633 0
Quantity:	1	6

## FCD3BN Technical Specs

Alarm Dimensions: 5"L, 4.9"W, 1.5"H  
 Weight: 11.36 oz.  
 Operating Voltage: 9V DC  
 Temp Range: 40°F (4°C) to 100°F (38°C)  
 Humidity Range: 10% to 90% Relative Humidity  
 Audio Alarm: 85dB at 10 ft.  
 Test Button: Electronically simulates a carbon monoxide condition, causing the unit to alarm  
 Alarm Reset: Automatic when CO clears; Press Test/Silence button to reset manually  
 Indicator LEDs: DC Power: Flashes Green when unit is receiving power; Horn "chirps" every 30 seconds when battery is low  
 Service Status: Flashes Yellow when unit needs service or replacement; Horn "chirps" when light flashes  
 CO Alarm: Audio Alarm (4 beeps, pause, 4 beeps) and rapidly flashing Red LED  
 Listing: UL2034



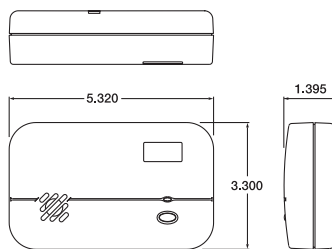
## FCD3BN Packaging Specs

Packaging Type: Carton

	Individual Carton	Master Pack
Dimensions:	8.66"L, 2.16"D, 5.66"H	13.69"L, 9.00"D, 6.31"H
Weight:	0.72 lbs	4.32 lbs
Cube:	0.06 ft <sup>3</sup>	0.451 ft <sup>3</sup>
UPC:	0 29054 15000 4	100 29054 15000 1
Quantity:	1	6

## FCD4CN-3 Technical Specs

Alarm Dimensions: 5.3"L, 3.3"W, 1.4"H  
 Weight: 7.6 oz.  
 Operating Voltage: 120 VAC, 60 Hz, 9V DC  
 Power: .09 amps  
 Temp Range: 40°F (4°C) to 100°F (38°C)  
 Humidity Range: 10% to 90% Relative Humidity  
 Audio Alarm: 85dB at 10 ft.  
 Test Button: Electronically simulates a carbon monoxide condition, causing the unit to alarm  
 Alarm Reset: Automatic when CO clears; Press Test/Silence button to reset manually  
 Indicator LEDs: AC Power: Constant Red LED  
 CO Alarm: Audio Alarm (4 beeps, pause, 4 beeps) and rapidly flashing Red LED  
 Listing: UL2034



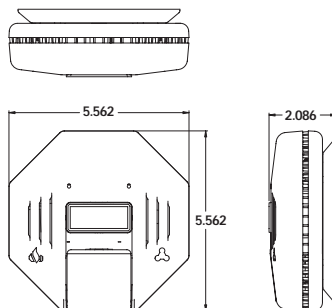
## FCD4CN-3 Packaging Specs

Packaging Type: Clam

	Individual Clam	Master Pack
Dimensions:	9.75"H, 2.40"D, 6.63"L	7.13"H, 5.25"D, 10.88"W
Weight:	0.74 lbs	2.22 lbs
Cube:	0.09 ft <sup>3</sup>	0.20 ft <sup>3</sup>
UPC:	0 29054 85618 0	800 29054 85618 6
Quantity:	1	3

## SC01BN Technical Specs

Alarm Dimensions: 5.6" Dia., 1.8"H  
 Weight: 11.2 oz.  
 Operating Voltage: 9V DC  
 Temp Range: 40°F (4°C) to 100°F (38°C)  
 Humidity Range: 10% to 90% Relative Humidity  
 Audio Alarm: 85dB at 10 ft.  
 Test Button: Electronically simulates a carbon monoxide condition, causing the unit to alarm  
 Alarm Reset: Automatic when CO clears; Press Test/Silence button to reset manually  
 Indicator LEDs: DC Power: Flashes Green when unit is receiving power; Horn "chirps" every 30 seconds when battery is low  
 Service Status: Flashes Yellow when unit needs service or replacement; horn "chirps" when light flashes  
 Smoke Alarm: Audio Alarm (3 beeps, pause, 3 beeps) and rapidly flashing Red Smoke LED  
 CO Alarm: Audio Alarm (4 beeps, pause, 4 beeps) and rapidly flashing Red CO LED  
 Listing: UL2034



## SC01BN Packaging Specs

Packaging Type: Carton

	Individual Carton	Master Pack
Dimensions:	8.59"L, 2.16"D, 7.29"H	8.94"L, 7.19"D, 7.94"H
Weight:	0.97 lbs	2.91 lbs
Cube:	0.08 ft <sup>3</sup>	0.30 ft <sup>3</sup>
UPC:	0 29054 15002 8	100 29054 15002 5
Quantity:	1	3

Manufactured By:  
 BRK Brands, Inc  
 3901 Liberty Street Road  
 Aurora, IL 60504-8122

Distributed By:  
  
 www.brkelectronics.com

BRK ELECTRONICS® is a registered trademark of BRK Brands, Inc.  
 www.brkelectronics.com All Manuals, Gears, and Downloads

©2003 BRK Brands, Inc. CM2462

## Free Manuals Download Website

<http://myh66.com>

<http://usermanuals.us>

<http://www.somanuals.com>

<http://www.4manuals.cc>

<http://www.manual-lib.com>

<http://www.404manual.com>

<http://www.luxmanual.com>

<http://aubethermostatmanual.com>

Golf course search by state

<http://golfingnear.com>

Email search by domain

<http://emailbydomain.com>

Auto manuals search

<http://auto.somanuals.com>

TV manuals search

<http://tv.somanuals.com>