



TANKLESS GAS REPLACEMENT PARTS LIST

EVERHOT[®] IGI 180 (C,R)(5,10) Models

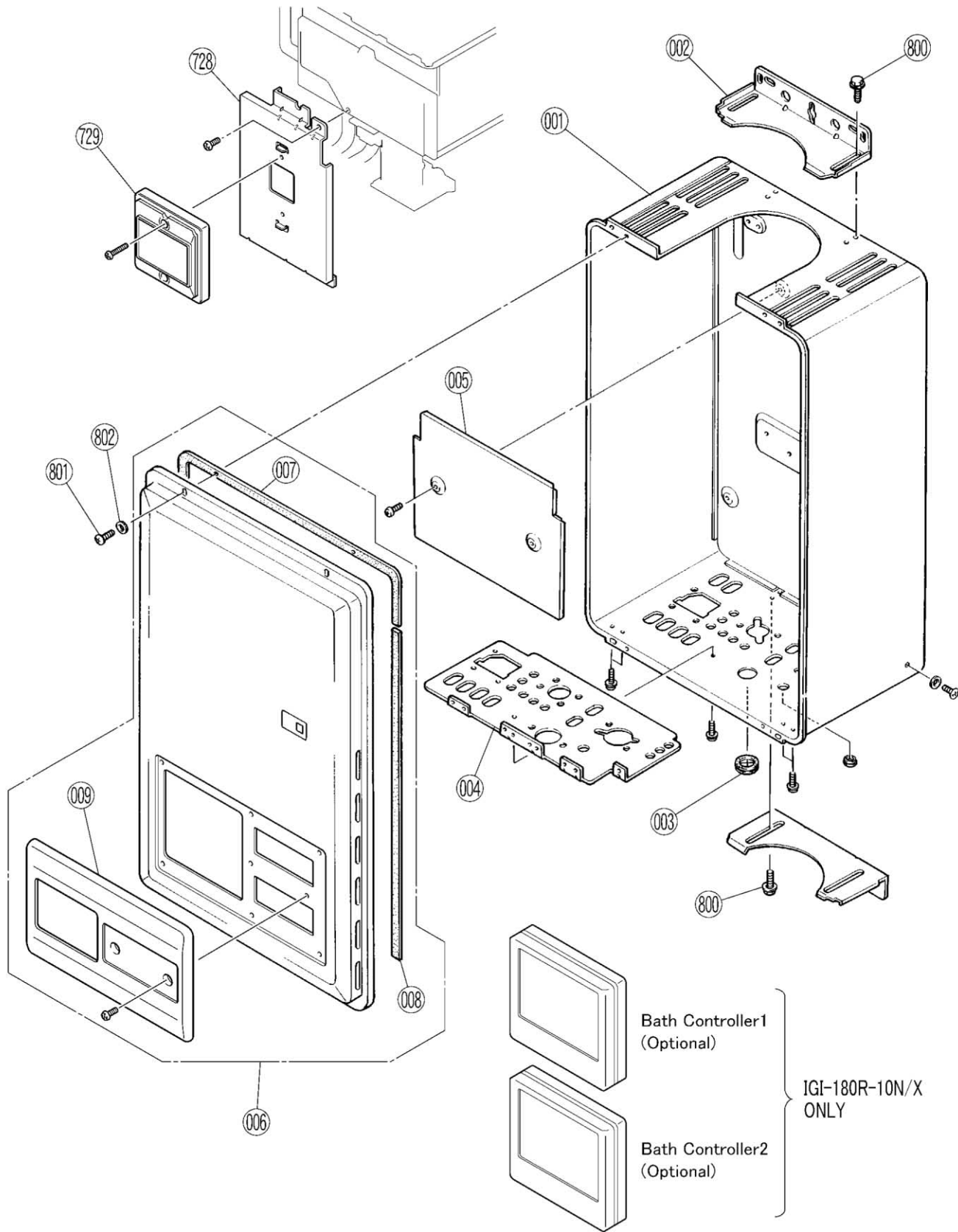


Meets all LoNox and (SCAQMD)
South Coast Air Quality
Management District
Requirements

Effective: April 16, 2004
ECO 6828

**NOTE: BOTH MODEL AND SERIAL
NUMBERS ARE REQUIRED FOR
ORDERING REPLACEMENT
PARTS**

Dimensions and specification subject to
change without notice.



Parts Common to IGI-180(C,R)-(5,10)(N,X)

Reference Number and Description	Part Number
003 Rubber Bushing	239-44786-00
004 Connection Reinforcement Panel	239-44780-00
005 Heat Protection Plate	239-44781-00
007 Front Panel Packing	239-44783-00
008 Front Panel Packing Side	239-44784-00
009 Front Plastic Panel	239-44840-00
728 Remote Control Bracket	239-44946-00
800 Screw	239-44896-00
801 Screw	239-44895-00
802 Washer	239-44887-00

Parts Unique to IGI-180R-10(N,X)

Reference Number and Description	Part Number
001 Casing Assembly	239-44773-00
002 Wall Fitting Bracket 4	239-44777-00
006 Front Panel Assembly (Nat Gas)	239-44771-00
006 Front Panel Assembly (LP Gas)	239-44796-00
729 Main Body Control Panel (MC-45-4US)	239-44509-00

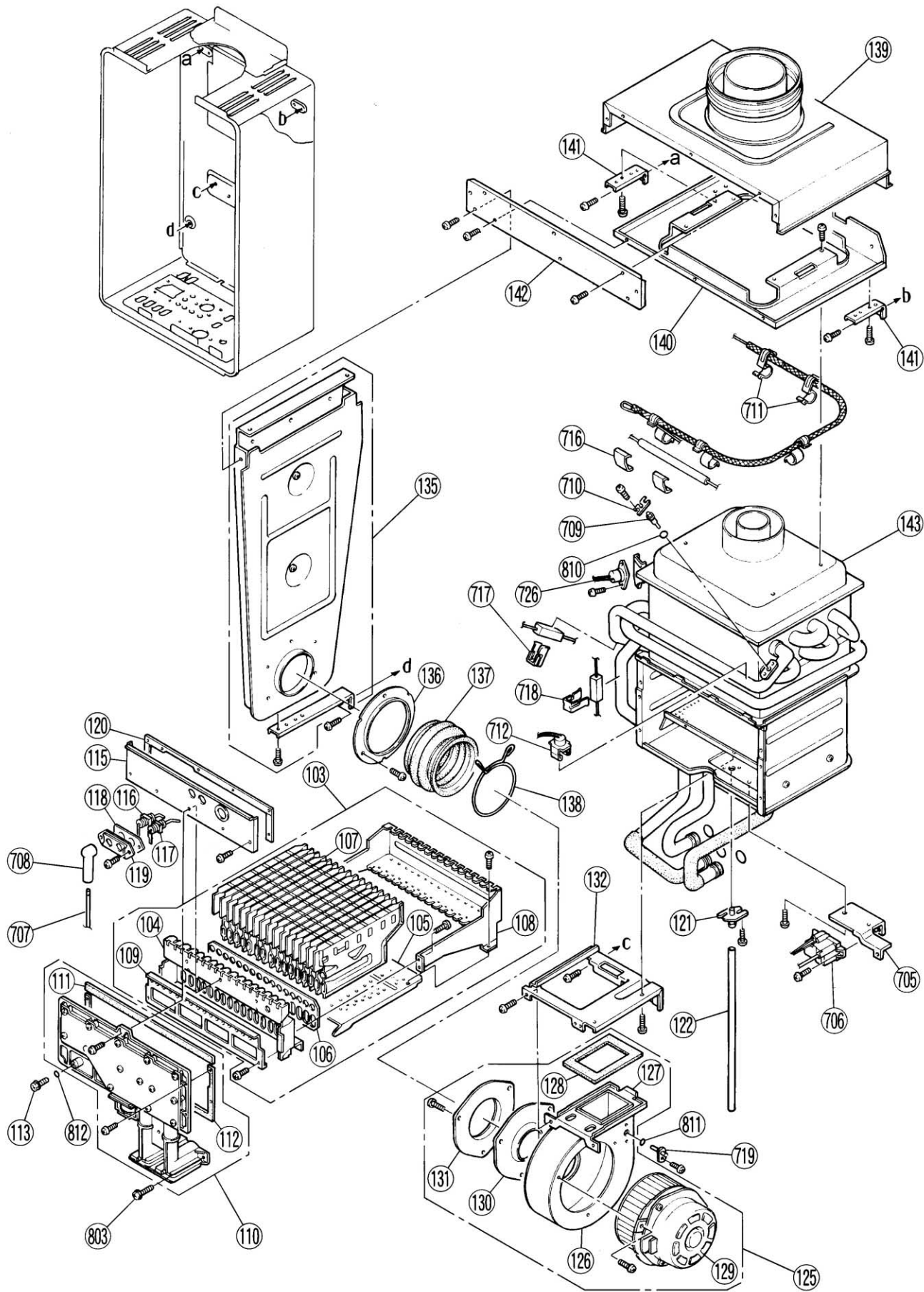
Parts Unique to IGI-180C-5 (N,X)

Reference Number and Description	Part Number
001 Casing Assembly	239-44774-00
002 Wall Fitting Bracket 4	239-44778-00
006 Front Panel Assembly (Nat gas)	239-44797-00
006 Front Panel Assembly (LP gas)	239-44772-00
729 Main Body Control Panel	239-44510-00

Water Heater Accessories

- Bathroom Remote Control Kit (BC-45-4US-BW) (IGI-180R Models Only)	239-44507-00*
- 2nd Bathroom Remote Control (BSC-45-4US-BW) (IGI-180R Models Only)	239-44508-00*
- Manifold Elect. Controls, Pack A	239-44511-00*
- Manifold Elect. Controls, Pack B	239-44512-00*
- Plumbing Installation Kit, Copper	239-45003-00
- Plumbing Installation Kit, Iron	239-44961-00

* Denotes Service Stock Component.



Parts Common to IGI-180(C,R)-(5,10)(N,X)

Reference Number and Description	Part Number
103 Burner Unit Assembly	239-44790-00
104 Burner Case Front	239-44791-00
105 Burner Case Bottom Panel	239-44792-00
106 Packing	239-44793-00
107 Lean and Rich Bunsen burner Assembly	239-44794-00
108 Burner Case Back Panel	239-44795-00
109 Damper	239-44798-00
111 Packing of Combustion Chamber	239-44802-00
112 Lower Packing of Combustion Chamber	239-44803-00
113 Screw	239-44804-00
115 Combustion Chamber Front Plate	239-44807-00
116 Electrode	239-44808-00
117 Flame Rod	239-44809-00
118 Electrode Packing	239-44810-00
119 Electrode Holder	239-44811-00
120 Upper Packing of Combustion Chamber	239-44812-00
121 Tube Joint	239-44815-00
122 Pressure Tube	239-44816-00
125 Blower Motor All Assembly	239-44817-00*
126 Fan Casing Assembly	239-44814-00
127 Fan Connecting Bracket	239-44821-00
128 Fan Connecting Packing	239-44822-00
129 Blower Motor	239-44819-00*
130 Bell Mouth	239-44820-00
131 Bellows Connecting Bracket/intake Duct	239-44824-00
132 Combustion Chamber Bracket	239-44827-00
135 Air Inlet Box Assembly	239-44828-00
136 Bellows Connecting Bracket/Fan	239-44825-00
137 Bellows	239-44823-00
138 Bellows Clamping Ring	239-44826-00
139 Air Inlet Box Assembly	239-44829-00
140 Exhaust Bracket	239-44835-00
141 Exhaust Bracket Holder	239-44836-00
142 Air Inlet Box Cover	239-44830-00
143 Heat Exchanger Complete Assembly	239-44839-00
705 PCB Bracket	239-44857-00
706 Igniter	239-44858-00
707 High Tension Cord	239-44859-00
708 Electrode Sleeve	239-44860-00
709 Thermister	239-44861-00
710 Thermister Clip Large	239-44862-00
711 Thermal Fuse Clip	239-44864-00
712 Frost Sensing Switch	239-44882-00
716 Anti-Frost Heater Clip	239-44866-00
717 Anti Frost Heater Clip A	239-44867-00
718 Anti-Frost Heater Clip	239-44868-00
719 Inlet Air Thermister	239-44863-00
726 Mold-Type Over Heat Switch	239-44876-00
803 Screw	239-44888-00
810 O-ring	239-44897-00
811 O-ring	239-44898-00
812 O-ring	239-44899-00

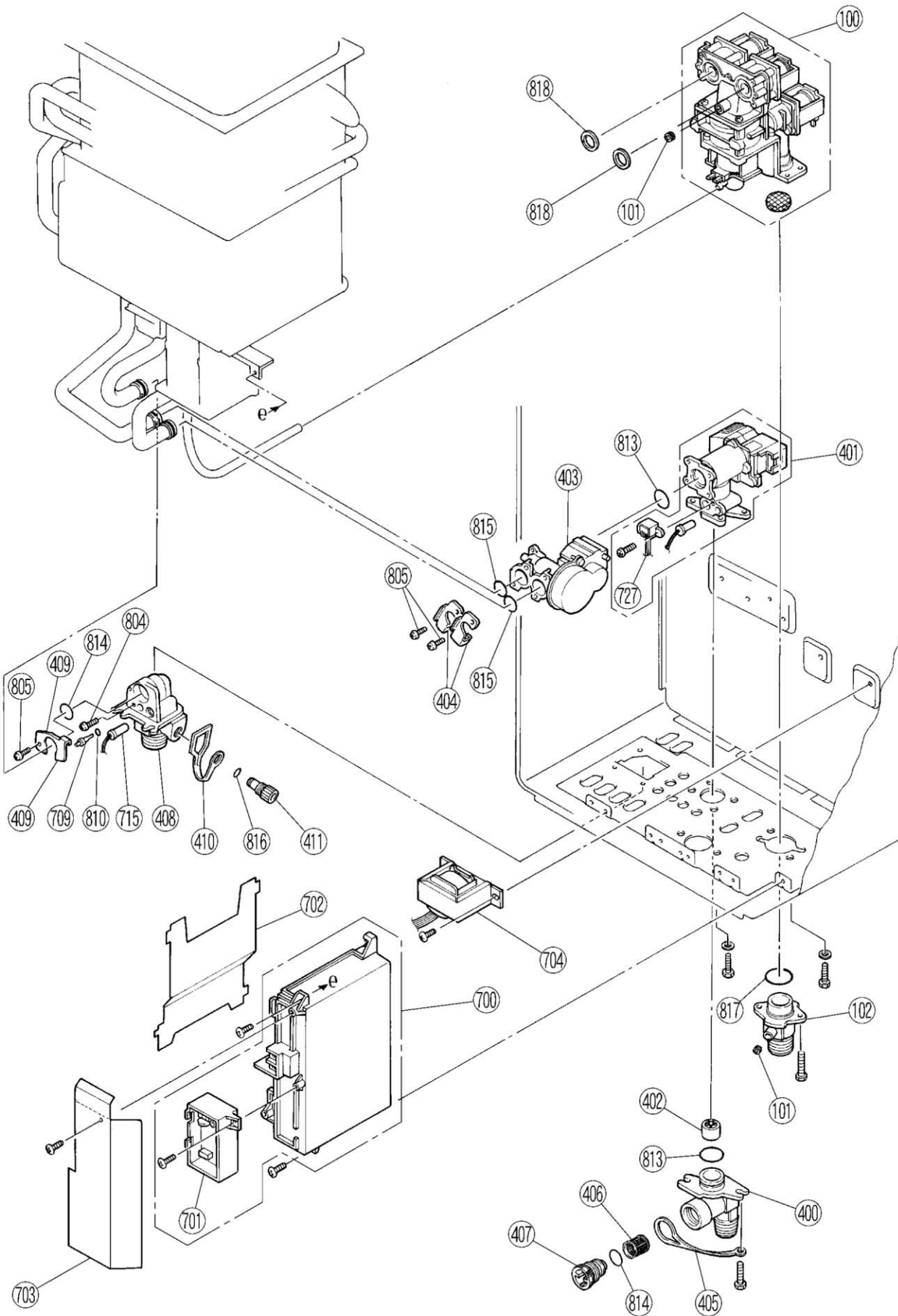
Parts Unique to IGI-180(C,R)-(5,10)N (Natural Gas)

Reference Number and Description	Part Number
110 Manifold Assembly-B (Natural Gas) (U245-200-B)	239-44800-00

Parts Unique to IGI-180(C,R)-(5,10)X (LP Gas)

Reference Number and Description	Part Number
110 Manifold Assembly-A (LP Gas) (U245-200-A)	239-44799-00

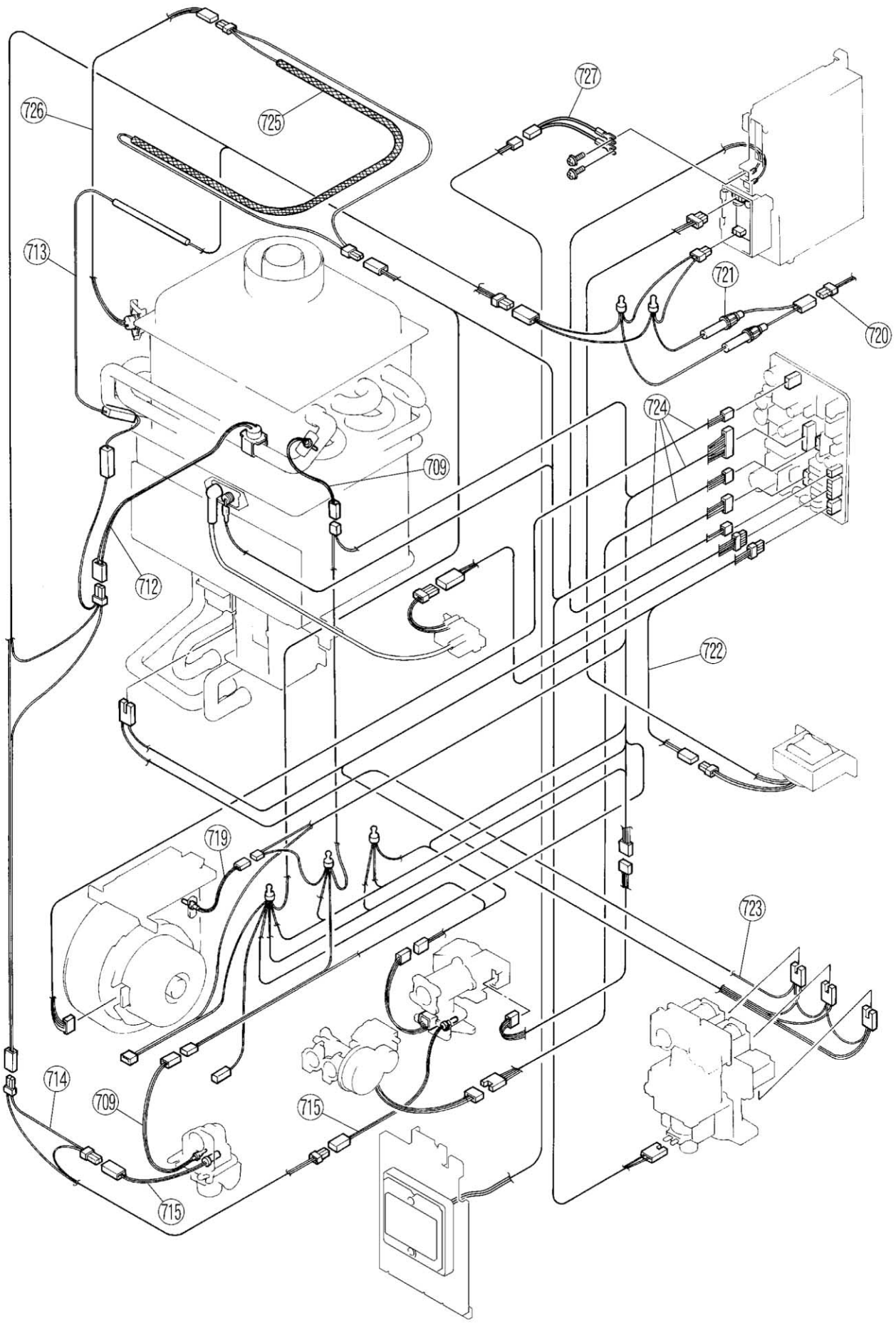
* Denotes Service Stock Component.



Parts Common to IGI-180(C,R)-(5,10)(N,X)

Reference Number and Description	Part Number
100 Gas Control Assembly	239-44787-00*
101 Screw	239-44788-00
102 Gas Connection (3/4" NPT)	239-44789-00
400 Water Inlet (3/4" NPT)	239-44841-00
401 Water Flow Servo & Sensor Assembly	239-44842-00*
402 Rectifier	239-44843-00
403 By-pass Servo Assembly	239-44844-00
404 Stop Bracket	239-44845-00
405 Plug Band	239-44846-00
406 Water Filter Assembly	239-44847-00
407 Filter Plug	239-44848-00
408 Hot Water Outlet (3/4" NPT)	239-44849-00
409 Stop Bracket	239-44851-00
410 Plug Band Small	239-44908-00
411 Drain Valve	239-44853-00
700 PCB	239-44878-00*
701 Surge Protector	239-44880-00*
702 PCB Cover-Side	239-44909-00
703 PCB Cover-Front	239-44855-00
704 Transformer Assembly	239-44856-00*
709 Thermister	239-44861-00
715 120V Valve Heater Assembly	239-44865-00
727 Remote Control Cable	239-44945-00
804 Screw	239-44889-00
805 Screw	239-44890-00
810 O-ring	239-44897-00
813 O-ring	239-44900-00
814 O-ring	239-44901-00
815 O-ring	239-44902-00
816 O-ring	239-44903-00
817 O-ring	239-44904-00
818 Packing	239-44905-00

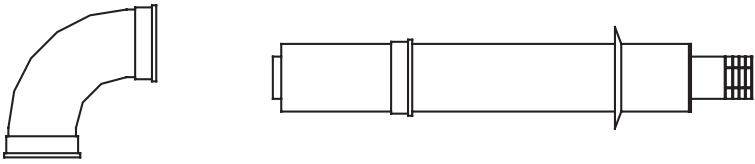
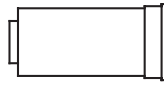
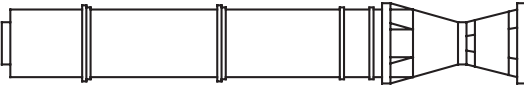
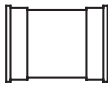
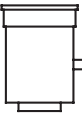
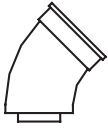
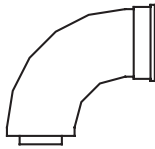

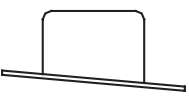
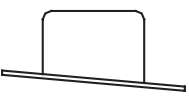
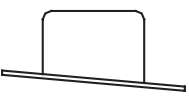
* Denotes Service Stock Component.



Parts Common to IGI-180(C,R)-(5,10)(N,X)

Reference Number and Description	Part Number
709 Thermister	239-44861-00
712 Frost Sensing Switch	239-44882-00
713 120V Anti-Frost Heater Assembly	239-44884-00
714 Heater Connecting Harness	239-44875-00
715 120V Valve Heater Assembly	239-44865-00
719 Inlet Air Thermister	239-44863-00
720 Power Supply Harness	239-44870-00
721 Fuse Harness	239-44871-00
722 100V Harness	239-44872-00
723 Solenoid Valve Harness	239-44873-00
724 Sensor Harness	239-44886-00
725 Thermal Fuse Harness	239-44874-00*
726 Mold-Type Over Heat Switch	239-44876-00
727 Remote Control Cable	239-44945-00

* Denotes Service Stock Component.

<p align="center"><u>STANDARD VENT DISCHARGE KIT 265-44516-00</u></p>  <p><u>HORZ. DISCHARGE ADAPTER</u> 239-44506-00</p> <p><u>WALL DISCHARGE TERMINAL (35")*</u> 239-44505-00</p>		<p align="center"><u>VENT PIPE EXTENSIONS*</u></p> <p>10" 239-44496-00 19.5" 239-44497-00 39" 239-44498-00</p> 												
<p align="center"><u>ROOF DISCHARGE TERMINAL*</u> 239-44494-00</p> 		<p align="center"><u>VERTICAL DISCHARGE ADAPTER*</u> 239-44500-00</p> 	<p align="center"><u>CONDENSATE COLLECTOR*</u> 239-44501-00</p> 											
<p><u>45° VENT ELBOW (QTY=2)*</u> 239-44495-00</p> 	<p><u>90° VENT ELBOW*</u> 239-44499-00</p> 	<p><u>VENT PIPE CLAMP*</u> 239-44493-00</p> 	<p align="center"><u>ROOF FLASHING*</u></p> <table border="0"> <tr> <td>FLAT ROOF</td> <td>239-44492-00</td> <td rowspan="3"></td> </tr> <tr> <td>1/12-6/12 PITCH</td> <td>239-44502-00</td> </tr> <tr> <td>6/12-12/12 PITCH</td> <td>239-44504-00</td> </tr> <tr> <td>8/12-16/12 PITCH</td> <td>239-44503-00</td> <td></td> </tr> </table>		FLAT ROOF	239-44492-00		1/12-6/12 PITCH	239-44502-00	6/12-12/12 PITCH	239-44504-00	8/12-16/12 PITCH	239-44503-00	
FLAT ROOF	239-44492-00													
1/12-6/12 PITCH	239-44502-00													
6/12-12/12 PITCH	239-44504-00													
8/12-16/12 PITCH	239-44503-00													

* Denotes Service Stock Component.



Ambler, PA

For U.S. and Canada field service,
contact your professional installing plumbing contractor
or local Bradford White representative.

Sales/800-538-2020
800-532-4020

Fax/215-641-1670

Technical Support/800-334-3393
Fax/269-795-1089

Warranty/800-531-2111
Fax/269-795-1089

International:
Telephone/215-641-9400
Telefax/215-641-9750

Fax on Demand:
888-538-7833



Sales/866-690-0961
905-238-0100

Fax/905-238-0105

Technical Support/800-334-3393

Email

parts@bradfordwhite.com
techserv@bradfordwhite.com

www.bradfordwhite.com
www.bradfordwhitecanada.com

Free Manuals Download Website

<http://myh66.com>

<http://usermanuals.us>

<http://www.somanuals.com>

<http://www.4manuals.cc>

<http://www.manual-lib.com>

<http://www.404manual.com>

<http://www.luxmanual.com>

<http://aubethermostatmanual.com>

Golf course search by state

<http://golfingnear.com>

Email search by domain

<http://emailbydomain.com>

Auto manuals search

<http://auto.somanuals.com>

TV manuals search

<http://tv.somanuals.com>