

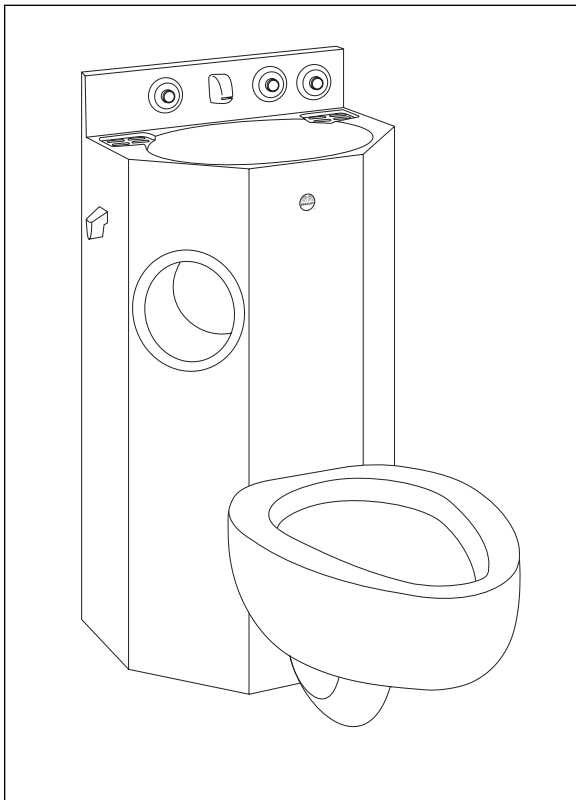
Installation Instructions

COMBI5500

17" Chase-Mounted Five-Sided Stainless Steel Combination Unit

Table of Contents

Combination Unit Dimensions	2
Rough-Ins	3-4
Wall-Mounting Instructions	5
Supply, Drain and Waste Connections	6
Cleaning and Maintenance for Stainless Steel	6



IMPORTANT

Bradley Security Fixtures are tamper resistant. All mounting hardware provided is essential for properly anchoring the unit. Bradley cannot assume any responsibility for any improperly installed units.

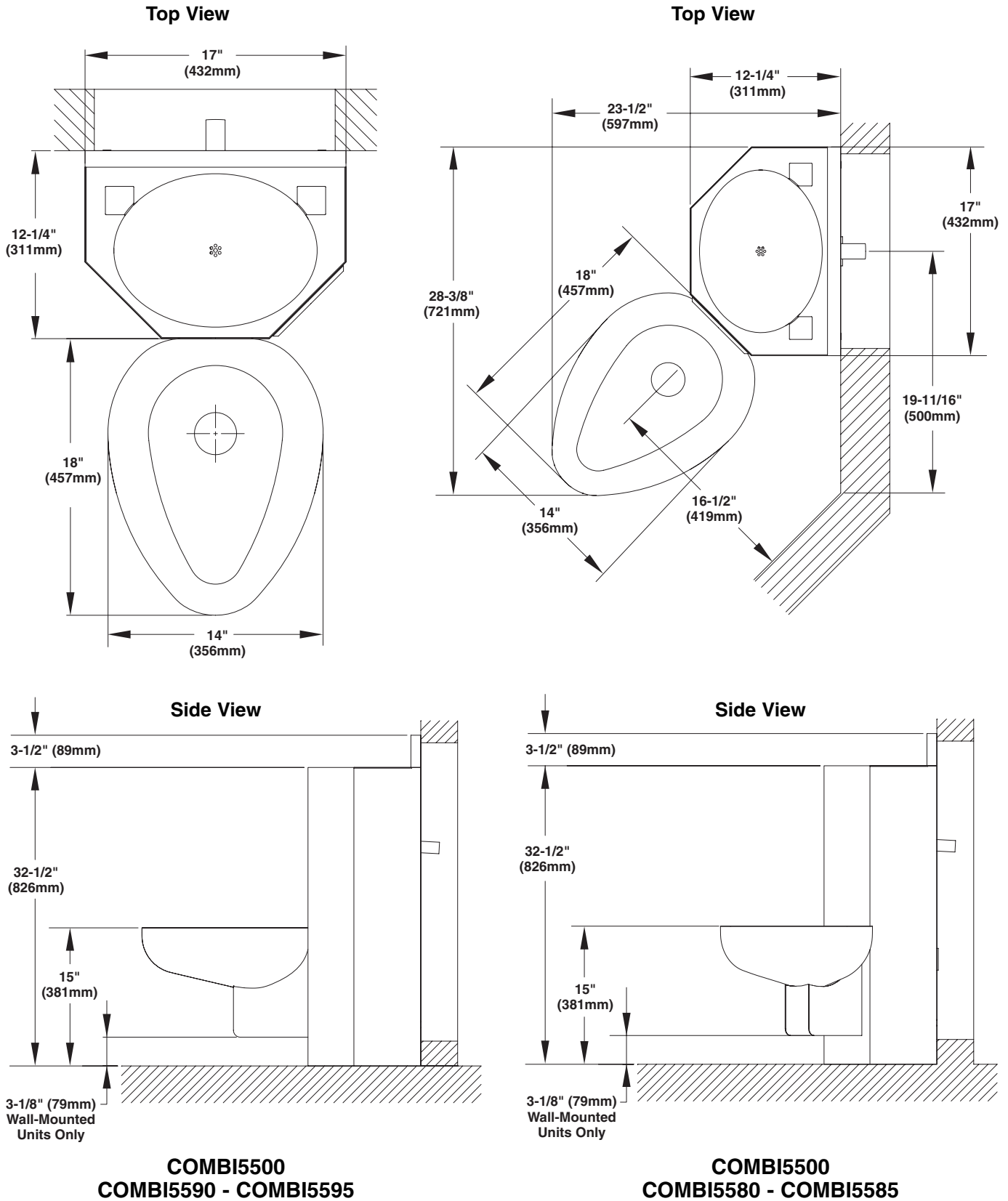
Read this entire installation manual to ensure proper installation, then file it with the owner or maintenance department.

Product warranties may be found under "Product Information" on our web site at www.bradleycorp.com.

Compliance and conformity to local codes and ordinances is the responsibility of the installer.



Five-Sided Combination Unit Dimensions



Installation Instructions

Supplies Required:

- 1" NPT supply piping to flush valve
- Toilet/Lav waste connections
- For optional air valve manifold or self-closing valve: 1/2" NPT supply piping
- For optional Touch Time™ solenoid valve:
 - 1/8" NPT supply piping
 - Wire nuts sized for 22 AWG wire to connect to 24 VAC power source

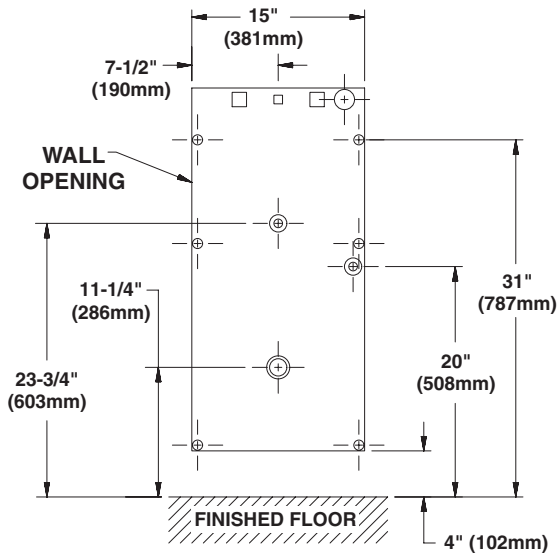
Step 1: Roughing-In Supplies, Drain, and Waste Outlet

1. Rough-in wall opening using one of the three versions shown in Figure 1 on page 4.
2. Rough-in water supply(s) for lavatory:
 - 1/2" NPT connection required when piping in for air valve manifold (length of tubing supplied). For air valve manifold assembly installation, refer to Bradley Installation Manual (part no. 215-1158) provided with the manifold assembly.
 - 1/2" NPT connection required when piping in for self-closing valve. For self-closing valve assembly installation, refer to Bradley Installation Manual (part no. 215-581) provided with the self-closing valve assembly.
 - 1/8" NPT connection required when piping in for Touch Time™ solenoid valve. (Note: Length of tubing supplied.) For Touch Time™ solenoid valve installation, refer to Bradley Installation Manual (part no. 215-1378) for Touch Time™ solenoid valve assembly .
3. Rough-in a 1-1/4" or 1-1/2" NPT (size dependent on options ordered) lavatory waste outlet at the dimensions shown in Figure 1.
4. Rough-in a 1" NPT supply inlet to flush valve.
5. Rough-in a toilet waste outlet at the dimension shown in Figure 1 (waste outlet size dependent on options ordered).

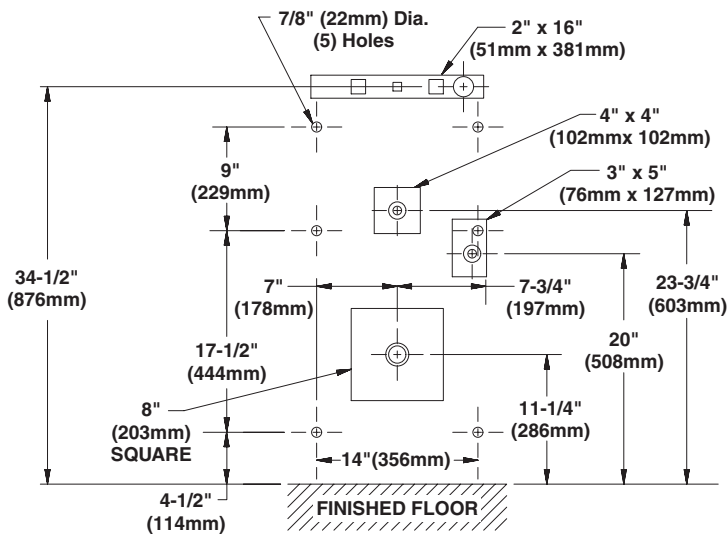
Installation Instructions *continued* . . .

NOTES:

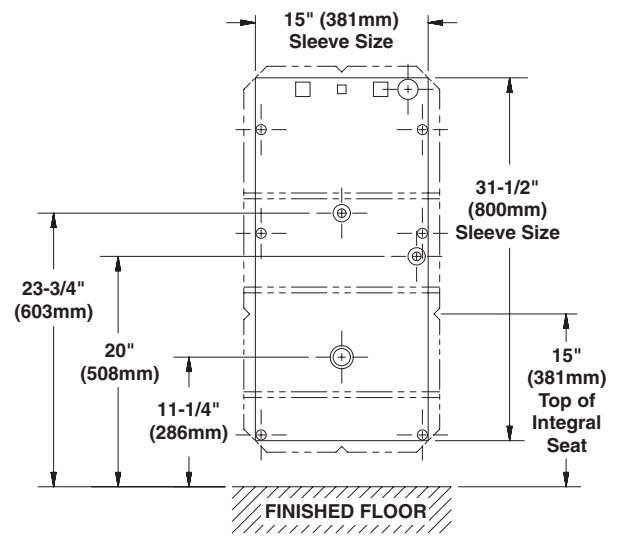
1. All views are from fixture side; right-hand unit shown.
2. Top of integral toilet seat to be mounted 15" (381 mm) above finished floor.
3. On floor outlet waste units, centerline of waste is 4-1/4" (108 mm) from wall.
4. Dimensions shown in parentheses are in millimeters.



One Wall Opening



Individual Wall Opening



Opening With Sleeve

Figure 1

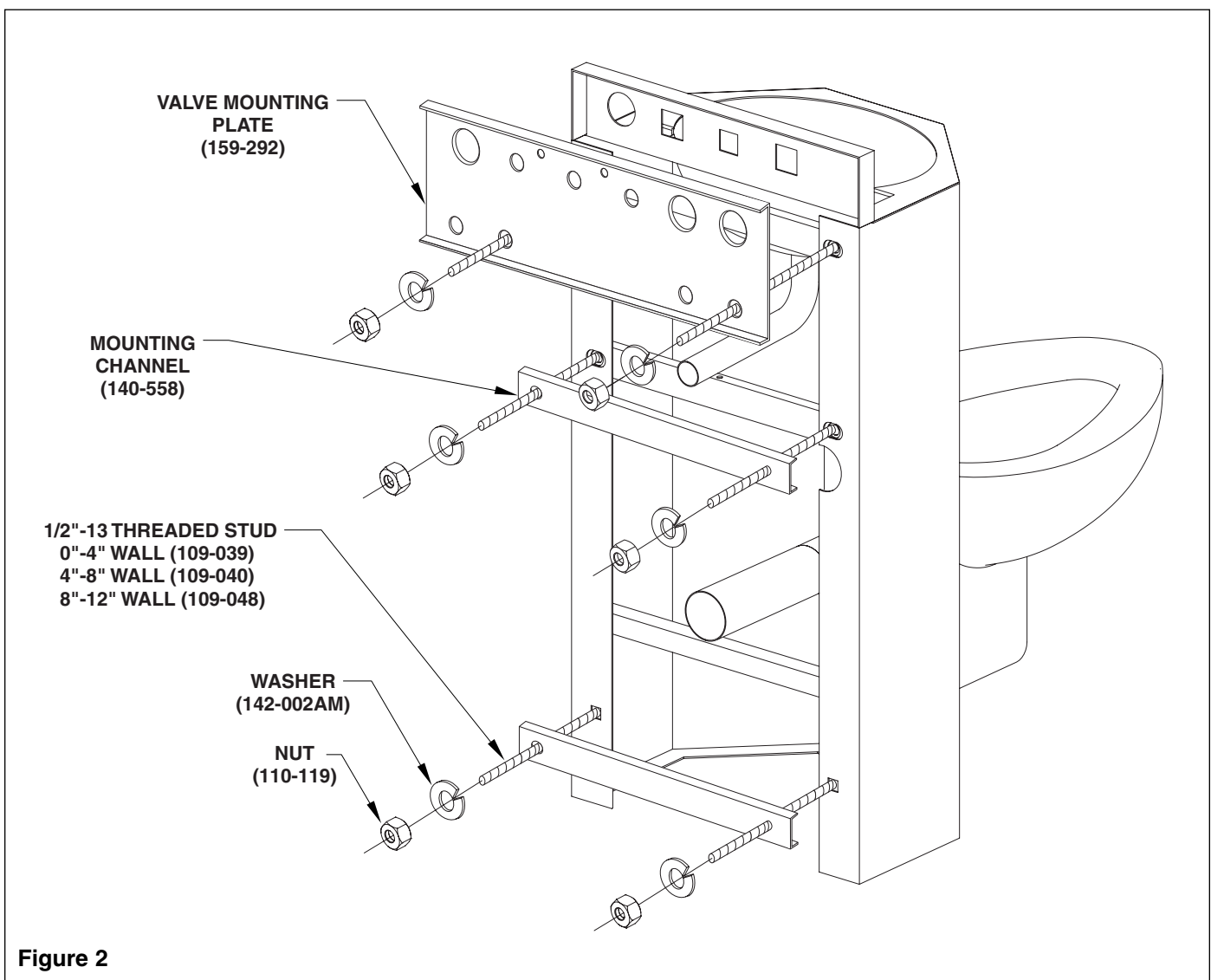
Installation Instructions *continued . . .*

Step 2: Mounting Unit to Wall

NOTE: Refer to Figure 2 when mounting unit. Unit is shown without valves and filler for clarity.

1. Insert six 1/2"-13 threaded studs (supplied by installer) into the back of the unit and screw in approximately 1/2".
2. Connect the 1-1/2" flush valve supply pipe (supplied by installer) to the 1-1/2" NPT inlet half coupling located on the back of the fixture.
3. Sliding studs and pipes through the wall openings, position the fixture in place (top of integral toilet seat is 15" above finished floor).
4. Secure the fixture to the wall using anchor brackets, washers, and nuts provided.

NOTE: All fasteners must be securely tightened to approximately 30 ft./lbs.



Installation Instructions *continued* . . .

Step 3: Making Supply, Drain, and Waste Connections

NOTE: Flush all supply lines before making connections.

1. Make the water supply connection to the flush valve (piping supplied by installer).
2. Make the lavatory drain connections to the P-trap or elbow (piping supplied by installer).
3. Make the toilet waste outlet connections (piping supplied by installer).
4. Mount the valve assembly in the appropriate location and make the supply connections. Refer to the appropriate valve installation manual for actual assembly procedure (refer to Step 1, Procedure #2 on page 3 for installation manual part numbers).
5. Turn on the water supplies to the unit and check for leaking.
6. Press the lavatory pushbuttons several times to purge air from the lines.
7. Activate the flush valve several times to purge air from the lines.

Cleaning and Maintenance Instructions for Stainless Steel

Stainless steel is extremely durable, and maintenance is simple and inexpensive. Proper care, particularly under corrosive conditions, is essential. Always start with the simplest solution and work your way toward the more complicated. Daily or as often as needed use a solution of warm water and soap, detergent, or ammonia. Apply the cleaning solution per the manufactures instructions and always use a soft cloth or sponge to avoid damaging the finish. To remove stains from stainless steel use a stainless steel cleaner and polish such as Ball® stainless steel cleaner or a soft abrasive. Always follow the manufactures instructions and apply in the same direction as the polish lines.



IMPORTANT: NEVER USE ORDINARY STEEL WOOL OR STEEL BRUSHES ON STAINLESS STEEL. ALWAYS USE STAINLESS STEEL WOOL OR STAINLESS STEEL BRUSHES.

Special Situations for Material

To remove fingerprints or smears use a high quality stainless steel cleaner and polish in accordance with the manufactures instructions. Many of these products leave a protective coating the helps prevent future smears and fingerprints. To remove grease and oil use a quality commercial detergent or caustic cleaner. Apply in accordance to the manufactures instructions and in the direction of the polish lines. Avoid prolonged contact with chlorides (bleaches, salts), bromides (sanitizing agents), thiocyanates (pesticides, photography chemicals, and some foods), and iodides on stainless steel equipment, especially if acid conditions exist.



IMPORTANT: DO NOT PERMIT SALTY SOLUTIONS TO EVAPORATE AND DRY ON STAINLESS STEEL.

The appearance of rust streaks on stainless steel leads to the belief that the stainless steel is rusting. Look for the actual source of the rust in some iron or steel particles which may be touching, but not actually a part of the stainless steel structure.

NOTE: Strongly acidic or caustic cleaners may attack the steel causing a reddish film to appear. The use of these cleaners should be avoided. Use of brand names is intended only to indicate a type of cleaner. This does not constitute an endorsement, nor does the omission of any brand name cleaner imply its inadequacy. Many products named are regional in distribution, and can be found in local supermarkets, department and hardware stores, or through your cleaning service. It is emphasized that all products should be used in strict accordance with package instructions.

Free Manuals Download Website

<http://myh66.com>

<http://usermanuals.us>

<http://www.somanuals.com>

<http://www.4manuals.cc>

<http://www.manual-lib.com>

<http://www.404manual.com>

<http://www.luxmanual.com>

<http://aubethermostatmanual.com>

Golf course search by state

<http://golfingnear.com>

Email search by domain

<http://emailbydomain.com>

Auto manuals search

<http://auto.somanuals.com>

TV manuals search

<http://tv.somanuals.com>