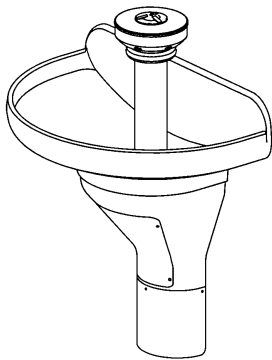




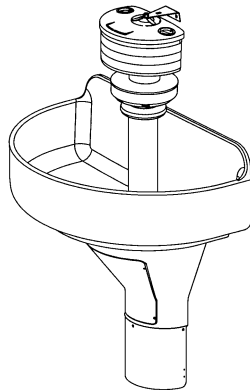
Installation Installation Instalación



**TDB3103 with
Infrared Control**

**TDB3103 avec
commande à infrarouge**

**Modelo TDB3103 con
control infrarrojo**



**WF3203 with
Infrared Control**

**WF3203 avec
commande à infrarouge**

**Modelo WF3203 con
control infrarrojo**

TDB3103

Terreon® 36" Semi-circular Deep Bowl Washfountain with Infrared Control

Terreon® Lavabo fontaine 914 mm (36") à cuvette profonde semi-circulaire avec commande à infrarouge

Fuente de lavado semicircular con palangana profunda Terreon® de 914 mm (36") con control infrarrojo

WF3203

Terreon® Extra Height 36" Semi-Circular Classic Washfountain with 9" Deep Bowl and Infrared Control

Terreon® Lavabo fontaine 914 mm (36") à hauteur supplémentaire classique semi-circulaire à cuvette profonde de 229 mm (9") et commande à infrarouge

Fuente de lavado clásica semicircular Terreon® de altura adicional de 914 mm (36") con palangana profunda de 229 mm (9") y control infrarrojo

IMPORTANT!



Read this entire installation manual to ensure proper installation. When finished with the installation, file this manual with the owner or maintenance department.

Separate parts from packaging and make sure all parts are accounted for before discarding any packaging material. If any parts are missing, do not begin installation until you obtain the missing parts.

Make sure that all water supply lines have been flushed and then completely turned off before beginning installation. Debris in supply lines can cause valves to malfunction.

Hardware supplied by installer must be appropriate for wall construction. Wall anchors used must have a minimum pull-out rating of 1,000 lbs.

The Adaptive® Infrared control must be connected with a 24 VAC Class II transformer. Connections to 110 VAC can cause personal injury and will result in damage to the electronics.

Product warranties may be found under "Product Information" on our web site at www.bradleycorp.com.

IMPORTANT !



Lire ce manuel d'installation dans son intégralité pour garantir une installation appropriée. Une fois celle-ci terminée, classer ce manuel auprès du service à la clientèle ou d'entretien.

Séparer les pièces de l'emballage et veiller à bien avoir toutes les pièces avant de jeter le matériau d'emballage. Le cas échéant, ne pas commencer l'installation avant d'avoir obtenu les pièces manquantes.

Veiller à bien vidanger et fermer toutes les conduites d'eau avant de commencer l'installation. Tout débris dans les conduites d'alimentation risque de provoquer un mauvais fonctionnement des soupapes.

La quincaillerie fournie par l'installateur doit être appropriée pour la construction des murs. Les dispositifs d'ancrage muraux doivent avoir un indice d'arrachement minimum de 454 kg (1 000 lbs.).

La commande à infrarouge Adaptive® doit être connectée avec un transformateur 24 V c.a. Classe II. Des connexions à du 110 V c.a. peuvent provoquer des blessures personnelles et endommager les composants électroniques.

Les garanties du produit figurent sous la rubrique « Informations techniques » sur notre site Internet à www.bradleycorp.com.

¡IMPORTANTE!

Lea todo este manual para garantizar su instalación adecuada. Cuando haya terminado la instalación, preséntelo al dueño o al Departamento de Mantenimiento.

Separe las piezas del empaque y asegúrese de que no falte ninguna antes de desechar el material del empaque. Si falta alguna pieza, no comience con la instalación hasta que obtenga las faltantes.

Asegúrese de que todas las tuberías de suministro de agua hayan sido lavadas y cerradas completamente antes de comenzar la instalación. Los desechos en las tuberías de suministro pueden causar averías en las válvulas.

Las piezas metálicas proporcionadas por el instalador deben ser adecuadas para la construcción en la pared. Las sujeciones de pared usadas deben tener una capacidad mínima de extracción de 454 kg (1.000 libras).

El control infrarrojo Adaptive® debe conectarse con un transformador clase II de 24 V CA. Las conexiones a 110 V CA pueden causar lesiones personales y producirán daños a los componentes electrónicos.

Se pueden encontrar garantías de los productos en Product Information (Información sobre productos) en nuestro sitio Web en www.bradleycorp.com.

Table of Contents

Pre-Installation Information	2
Model TDB3103 Washfountain Dimensions	3
Model WF3203 Washfountain Dimensions	4
Washfountain Rough-Ins	5-6
Installation Instructions	7-12
Vernatherm Adjustment Instructions	13
Terreon® Cleaning/Maintenance	14
Gel-Coated Fiberglass Cleaning/Maintenance	14
Stainless Steel Cleaning/Maintenance	15
Soap Dispensing Valve Repair Parts	16-17
Soap Recommendations and Maintenance	18
Sprayhead Troubleshooting/Repair Parts	19
I.R. Module Assembly Components	20
Infrared Troubleshooting	20
Solenoid Valve Troubleshooting	21-22
Vernatherm™ Mixing Valve Maintenance	23-24
Cleaning the Strainer	23-24

Supplies Required by Installer

- (4) 1/2" lag bolts, screws or other fasteners to anchor washfountain pedestal
- 1/2" hot and cold water supply lines and fittings (refer to rough-ins on page 6)
- Reducing fittings and 1/2" nom. copper tubing supply lines for types with supplies from above
- Standard P-trap (refer to rough-ins on pages 5-7)
- 1-1/2" drain lines and fittings (refer to rough-ins on pages 5-7)
- Teflon tape or pipe dope
- 110 VAC GFI power source for 110/24 VAC UL Class II transformer supplied
- OPTIONAL: Bradley recommends installing an electrical cut-off switch to the unit. This feature allows no accidental water delivery during regular maintenance and service.

Pre-Installation Information

Terreon® Material

The Washfountain is constructed of Terreon®, a densified solid surface material composed of polyester resin. Terreon® is resistant to chemicals, stains, burns and impact. Surface damage can be easily repaired with everyday cleaners or fine-grit abrasives. Terreon® is NAHB certified to meet ANSI Z124.3, Z124.6 and ANSI/ICPA SS-1-2001.

Adaptive Infrared

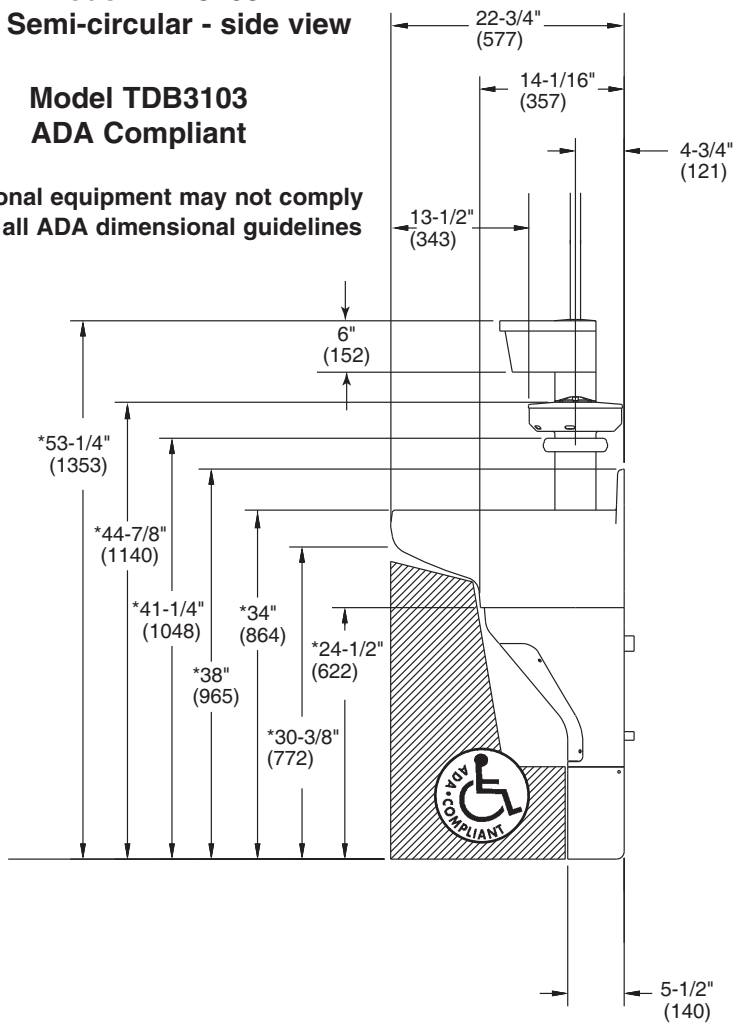
The sprayhead is controlled by a solenoid valve, allowing the user to activate a flow of water. The Infrared sensor will take a few minutes to adapt to its environment when the unit is powered up.

Semi-Circular Washfountain Dimensions

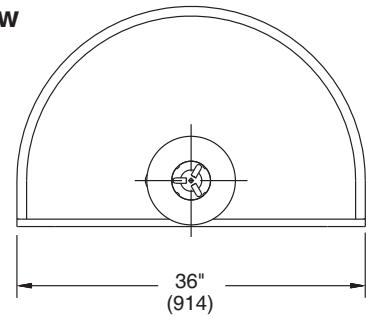
Model TDB3103
36" Semi-circular - side view

Model TDB3103
ADA Compliant

Optional equipment may not comply with all ADA dimensional guidelines



Top view



Back view

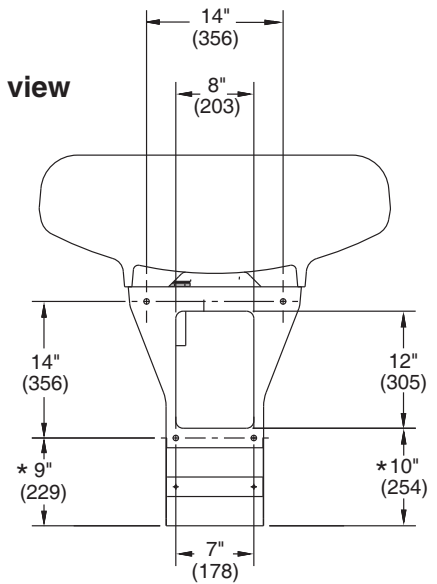
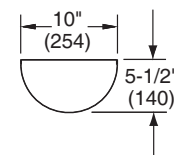


Figure 1a

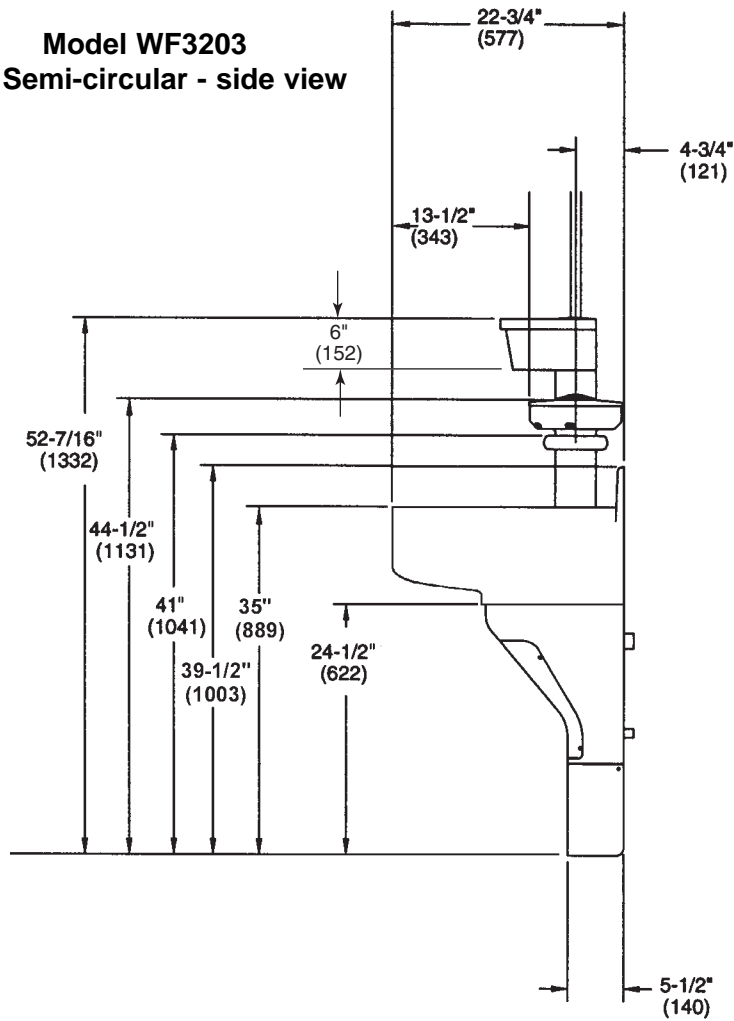
Bottom View



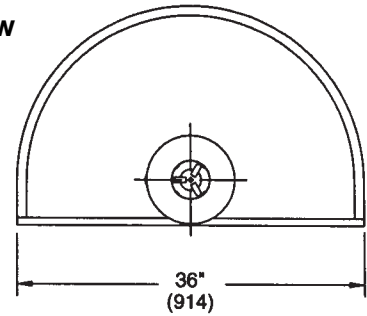
* ADJUSTMENTS TO VERTICAL DIMENSIONS FOR VARIOUS RIM HEIGHTS		
Rim Height	Application	Adjustment
34"	Adult Height ADA, TAS Adult Height	None, as shown
32"	TAS Ages 11 thru 14 or 15, Grades 6 thru 8 or 9	Subtract 2"
30"	TAS Ages 4 thru 10 or 11, Grades 6 thru 8 or 9 & Proposed Juvenile Height ADA	Subtract 4"

Semi-Circular Washfountain Dimensions

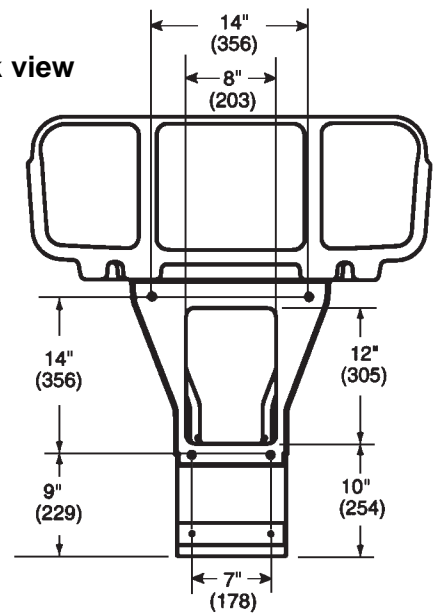
Model WF3203
36" Semi-circular - side view



Top view



Back view



Bottom View

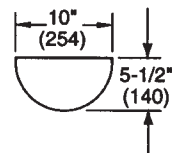


Figure 1b

Semi-Circular Washfountain Rough-Ins

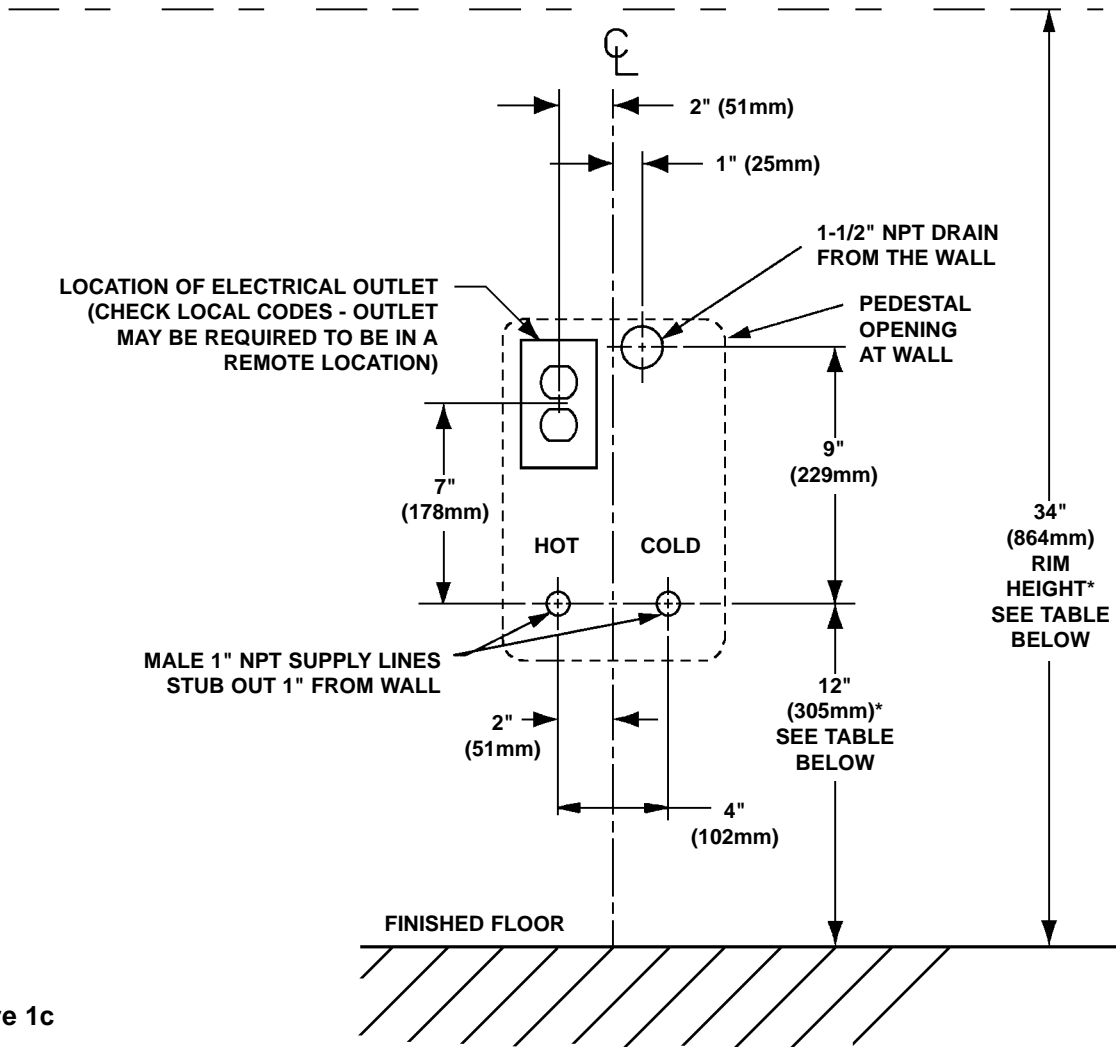


Figure 1c

* ADJUSTMENTS TO VERTICAL DIMENSIONS FOR VARIOUS RIM HEIGHTS		
Rim Height	Application	Adjustment
34" 35" (WF3203)	Adult Height ADA, TAS Adult Height	None, as shown
32"	TAS Ages 11 thru 14 or 15, Grades 6 thru 8 or 9	Subtract 2"
30"	TAS Ages 4 thru 10 or 11, Grades Pre-K thru 5 or 6 & Proposed Juvenile Height ADA	Subtract 4"

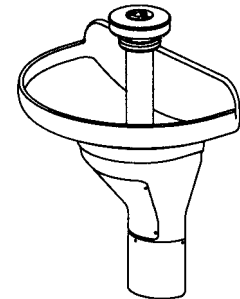
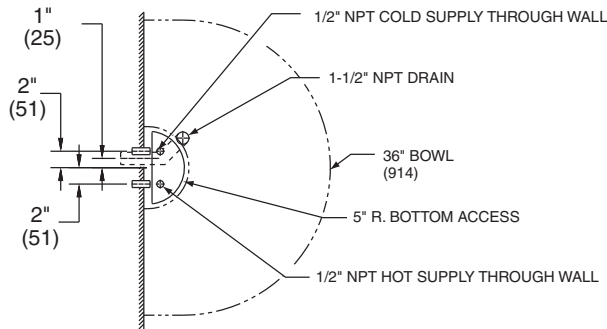
Rough-In Specifications

NOTE:
DRAIN P-TRAP &
SUPPLIES BY OTHERS

Type A Drain

- Supplies through wall
- Vent through wall off-drain

(mm)



NOTE: Supply lines for one to two washfountains should be 1"; for three washfountains, 1-1/4". For more than three washfountains, pipe sizes should be increased proportionately.

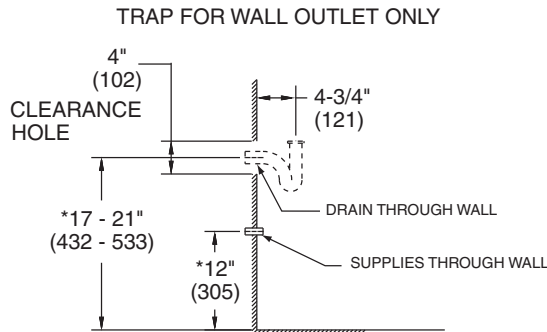


Figure 2

* ADJUSTMENTS TO VERTICAL DIMENSIONS FOR VARIOUS RIM HEIGHTS		
Rim Height	Application	Adjustment
34" (35" WF3203)	Adult Height ADA, TAS Adult Height	None, as shown
32"	TAS Ages 11 thru 14 or 15, Grades 6 thru 8 or 9	Subtract 2"
30"	TAS Ages 4 thru 10 or 11, Grades Pre-K thru 5 or 6 & Proposed Juvenile Height ADA	Subtract 4"

Type O Drain

- Supplies from above
- Vented through wall off drain

(mm)

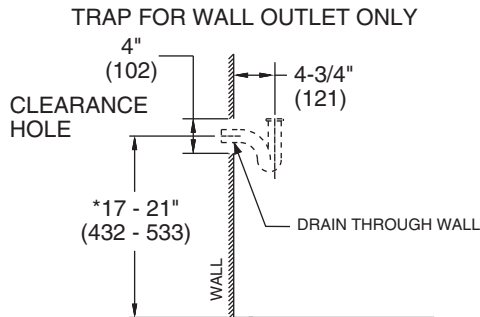
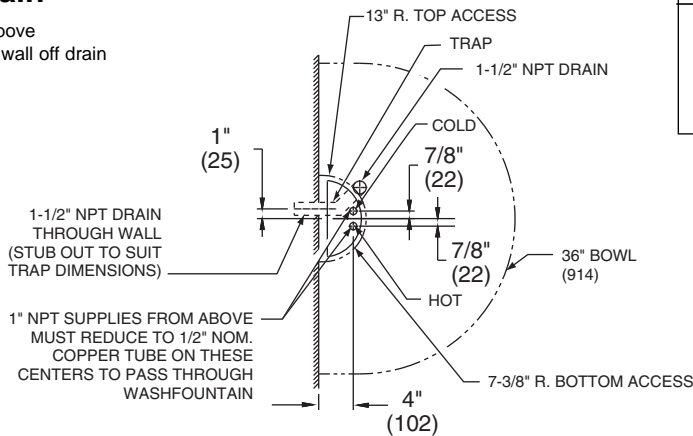
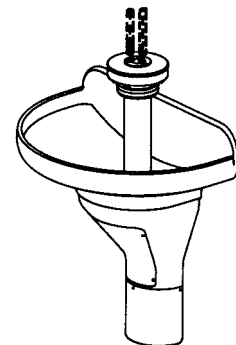


Figure 3



NOTE: Supply lines for one to two washfountains should be 1"; for three washfountains, 1-1/4". For more than three washfountains, pipe sizes should be increased proportionately.

1 Rough-in drain & supplies

NOTE:

A location to plug in the 24 VAC transformer is required. Refer to Figure 1c on page 5 for outlet rough-in.

A ROUGH IN SUPPLY AND DRAIN PIPING AS REQUIRED FOR YOUR INSTALLATION (SEE PAGES 5-6 FOR ROUGH-INS OF OPTIONAL INSTALLATIONS)

2 Bowl/pedestal mounting and assembly

NOTE:

Before attaching 1/4" wing nuts and washers to threaded rod, remove red protective caps from threaded rods. Discard sleeve caps after removal.



CAUTION:

Bowl surface is smooth. Approximate weight of bowl is 75 pounds. Handle with Care!

A ATTACH THE STAINLESS STEEL PEDESTAL BASE TO THE PEDESTAL USING SUPPLIED SCREWS AND FINISHING WASHERS. FOR WALL-MOUNTED MODELS, SEE PAGES 3-4 FOR PEDESTAL HEIGHT.

B POSITION THE PEDESTAL AT THE DESIRED LOCATION AND MARK THE POSITION OF THE (4) PEDESTAL WALL MOUNTING LOCATIONS.

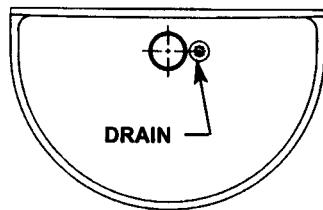
C SECURE THE PEDESTAL TO THE WALL WITH SUITABLE FASTENERS, 1/2" ANCHORS AND 1/2" BOLTS (SUPPLIED BY INSTALLER) (SEE FIGURE 1B FOR WALL MOUNTING LOCATIONS).

D USING TWO PEOPLE, CAREFULLY LIFT THE BOWL ONTO THE PEDESTAL (SEE FIGURE 4).

E POSITION THE BOWL SO THAT THE THREADED RODS IN THE BOWL MATE WITH THE SLOTTED HOLES IN THE PEDESTAL (SEE FIGURE 4).

F USING 1/4" WING NUTS AND WASHERS, SECURE THE BOWL TO THE PEDESTAL, THREE PLACES (SEE FIGURE 4).

TOP VIEW



FRONT VIEW

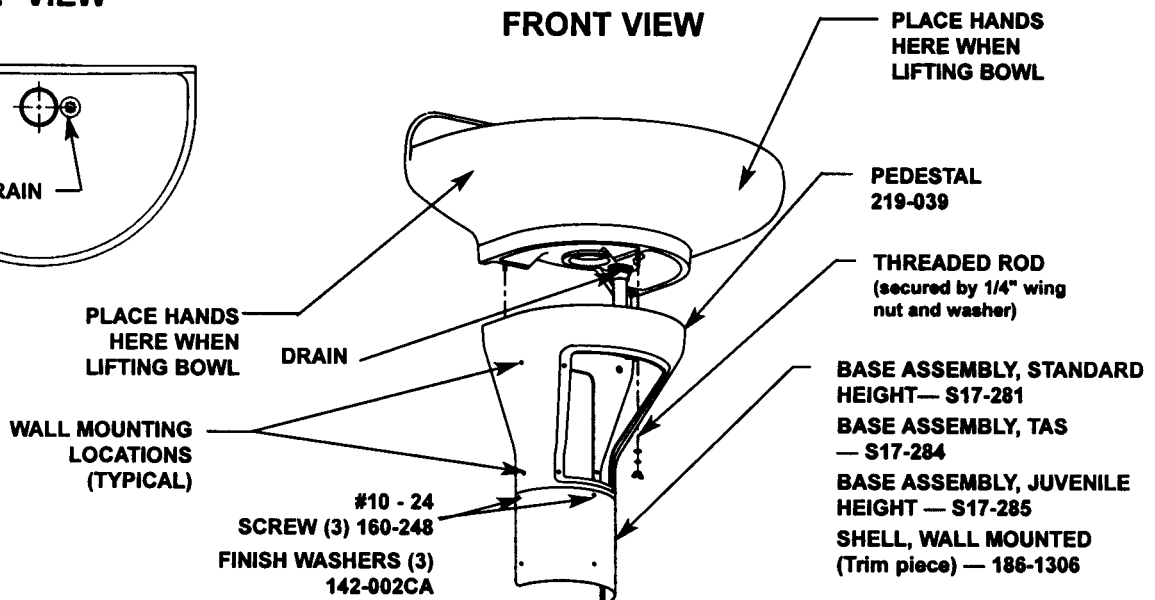


Figure 4

3 Installing drain spud in bowl

A SECURE DRAIN SPUD WITH LOCK NUT AND WASHERS AS SHOWN IN FIGURE 5.

NOTE!

Seal between drain spud and drain hole with plumber's putty (supplied by installer).

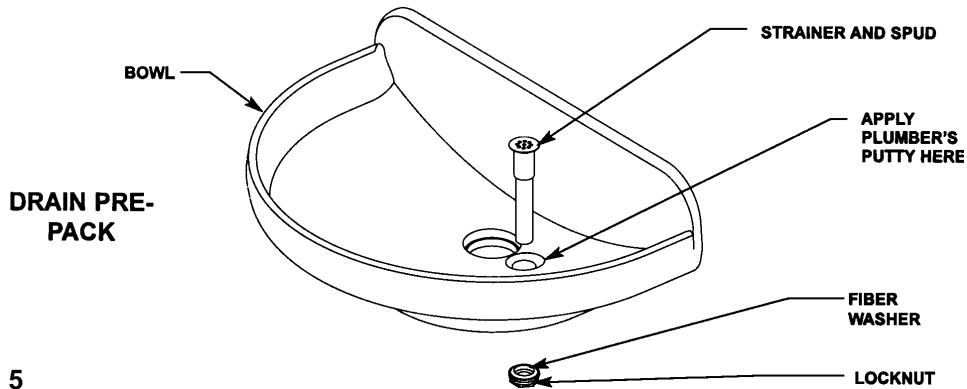


Figure 5

4 Supply Stop Valve connection, and P-trap installation

NOTE!

Flush supply lines before making connections. Do not use pipe sealant on compression fittings.

A USING PIPE THREAD SEALANT, THREAD SUPPLIED 1/2" STREET ELBOWS INTO THE 1/2" ANGLE SUPPLY STOPS (SEE FIGURE 9A, PAGE 12)

B AGAIN USING PIPE THREAD SEALANT, THREAD SUPPLY STOPS ONTO STUB-OUTS.

C FOLLOW THE PROCEDURES BELOW AND REFER TO FIGURE 6 WHEN INSTALLING 3/8" TUBING INTO SPRAYHEAD TO ENSURE THAT YOU ACHIEVE A LEAKPROOF SEAL.

D USING A SHARP KNIFE, CUT TUBING SQUARELY AND REMOVE ANY BURRS. DO NOT PINCH OR CRUSH END OF TUBING.

E LOOSEN NUT ON FITTING. MOISTEN END OF TUBE AND PUSH INTO FITTING UNTIL IT IS FIRMLY SEATED. TIGHTEN NUT TO SECURE TUBE TO FITTING (MAKE SURE NUT IS SECURELY TIGHTENED).

F IF CONNECTOR LEAKS, RESEAT TUBING ACCORDING TO ABOVE PROCEDURE. IF LEAKING PERSISTS, REPLACE MALE CONNECTOR, OR CALL YOUR BRADLEY REPRESENTATIVE FOR ASSISTANCE.

G CONNECT P-TRAP (SUPPLIED BY INSTALLER) TO TAILPIECE AND DRAIN OUTLET.

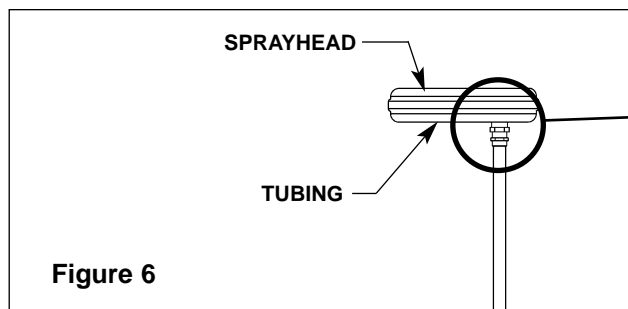
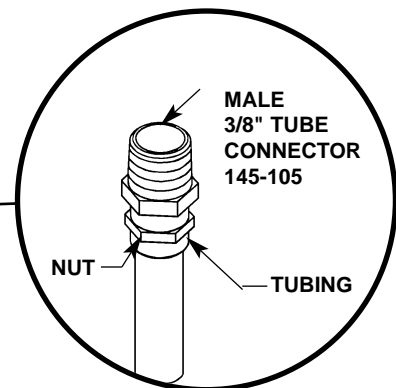


Figure 6



5

Adaptive infrared assembly for A drain and O drain units

- A** INSTALL HEMMED END (NOT SHARP END) OF SUPPORT TUBE WITH GASKET ONTO BOWL (SEE FIGURE 7 ON PAGE 10).
- B** PLACE SPRAYHEAD WITH 3/8" TUBING ONTO SUPPORT TUBE AS SHOWN IN FIGURE 7 ON PAGE 10. RUN TUBING DOWN THROUGH SUPPORT TUBE. *MAKE SURE SPRAY HOLES POINT AWAY FROM THE WALL.*
- C** PLACE UPPER TIE BAR (NOTCHED AT CORNERS OF BOTH ENDS) ON TOP OF SPRAYHEAD PARALLEL TO WALL. CONNECT THE TWO THREADED TIE RODS TOGETHER USING THE COUPLING NUT WITH HEX HEAD SET SCREWS. RUN THE TIE ROD DOWN THROUGH UPPER TIE BAR (SEE FIGURE 7) AND SECURE FROM UNDERNEATH THE BOWL USING THE LOWER TIE BAR (NO NOTCHES) AND HEX NUT WITH SOCKET HEAD SET SCREW. A MINIMUM OF 1-1/2" OF THREADED TIE ROD SHOULD PROTRUDE BELOW THE LOWER TIE BAR; THIS WILL BE REQUIRED TO ATTACH THE VALVING.
- D** PLACE INFRARED MODULE ASSEMBLY ON TOP OF SPRAYHEAD. ROTATE UNTIL INFRARED MODULE LOCKS IN WITH TIE BAR. DROP TWO INFRARED MODULE WIRES DOWN TO VALVE ASSEMBLY. *MAKE SURE INFRARED MODULE WINDOWS ARE FACING TOWARD THE FRONT OF THE UNIT.*

NOTE! Skip to step E for units without soap.

- FOR UNITS WITH SOAP OPTION, INSTALL THE SPACER, SOAP DISPENSER AND COVER USING THE COUPLING NUT, THIRD TIE ROD (8-5/8" LONG) AND SECOND COUPLING NUT AS SHOWN (SEE FIGURE 8 ON PAGE 11). SECURE WITH SPRAYHEAD RESTRAINING BRACKET, ACORN NUT AND SOCKET HEAD SCREW.

- E** SECURE INFRARED MODULE COVER AND TOP COVER WITH ACORN NUT AND SOCKET HEAD SET SCREW.
- F** HOLDING THE VALVE ASSEMBLY OUTSIDE OF PEDESTAL, CONNECT 3/8" TUBING FROM SPRAYHEAD TO VALVE ASSEMBLY TUBE CONNECTOR (SEE FIGURE 9A ON PAGE 12).
- G** THREAD ONE SUPPLIED 3/8" NUT ONTO THE TIE ROD. SLIDE VALVE ASSEMBLY ON NEXT AND SECURE WITH ANOTHER 3/8" NUT. SEE FIGURE 9A.
 FOR A UNIT: CONNECT SUPPLY LINES TO STOPS USING SUITABLE FITTINGS.
 FOR O UNIT: INSTALL 1/2" NOMINAL COPPER TUBING SUPPLY LINES (PASS THEM THROUGH HOLES IN COVER DOWN THROUGH SUPPORT COLUMN) AND CONNECT TO SUPPLY STOP VALVES USING SUITABLE FITTINGS.

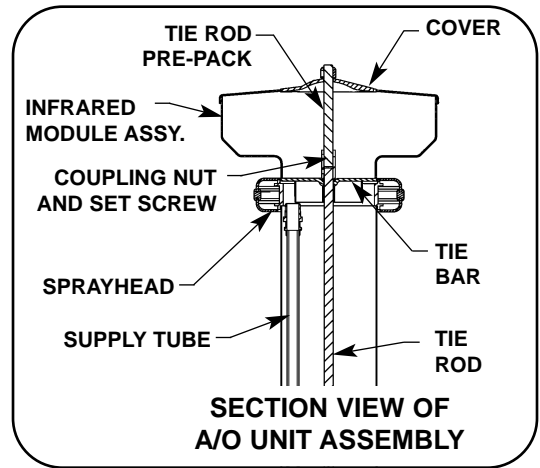
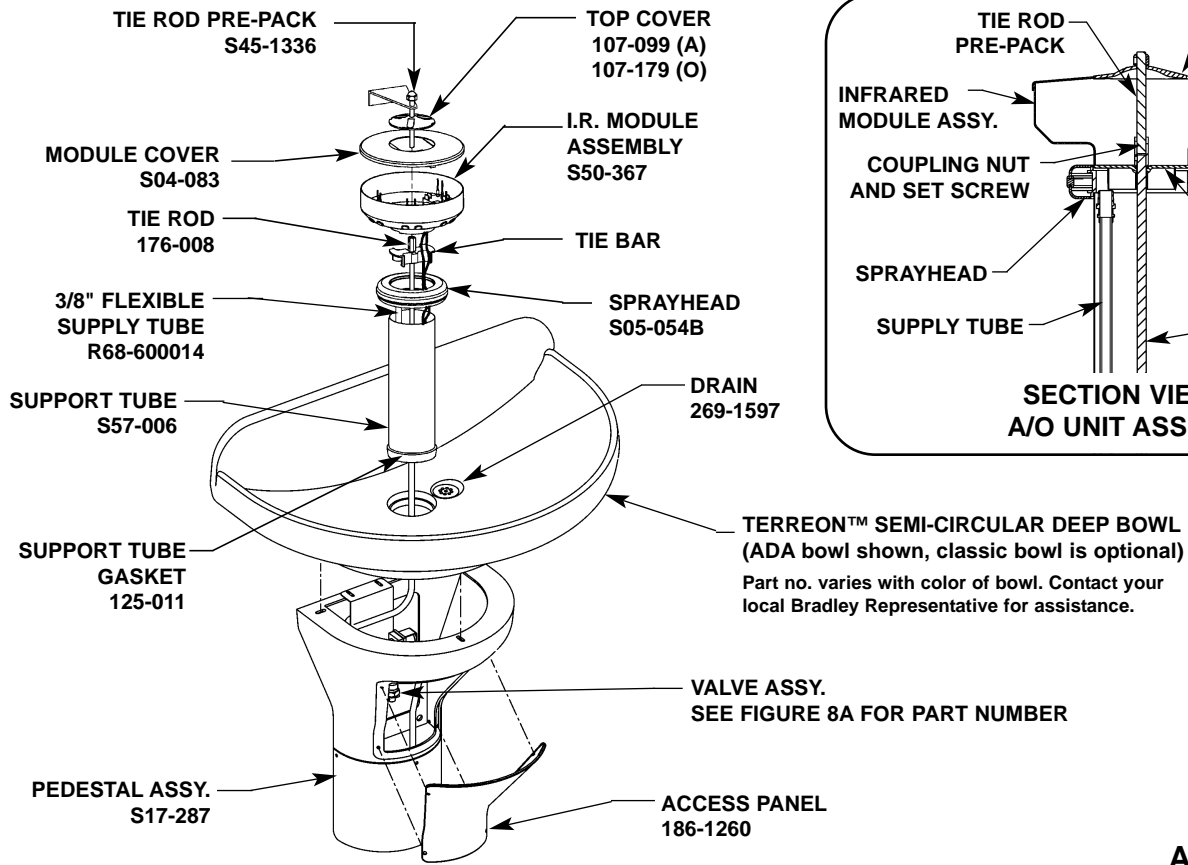
6

Electrical connections for Adaptive Infrared

START-UP NOTE: Do not use for two minutes after making power connection. The sensors will take up to eight minutes (without being used) to adapt to the bowl if another object is detected during the two-minute start-up period.

- A** ATTACH INFRARED FEMALE CONNECT WIRE FROM INFRARED MODULE TO SOLENOID AS SHOWN IN FIGURE 9B ON PAGE 12.
- B** ATTACH THE INFRARED MALE CONNECT WIRE FROM THE INFRARED MODULE TO THE TRANSFORMER LEAD WIRE.
- C** ATTACH THE REMAINING TRANSFORMER LEAD WIRE TO THE SOLENOID.
- D** CONNECT 24 VAC TRANSFORMER PROVIDED TO POWER SOURCE.
- E** TURN SUPPLIES ON. OPEN CHECK/STOP VALVES COMPLETELY.
- F** OPEN VOLUME CONTROL VALVE COMPLETELY AND CHECK PIPING INSTALLATION FOR LEAKS.
- G** PASS YOUR HAND IN FRONT OF EACH SENSOR UNTIL AIR IS PURGED FROM THE LINES.

Installation Instructions *continued* . . .



A/O UNITS
(A shown)

Figure 7

Installation Instructions *continued* . . .

Optional Soap Installation Instructions

UNIT WITH "A" DRAIN AND I.R. MODULE SHOWN, ALSO AVAILABLE WITH "O" DRAIN

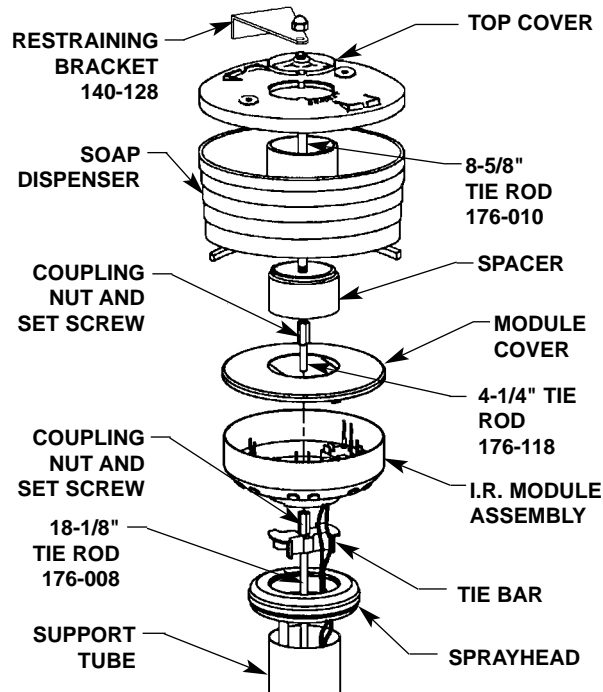


Figure 8

Installation Instructions *continued . . .*

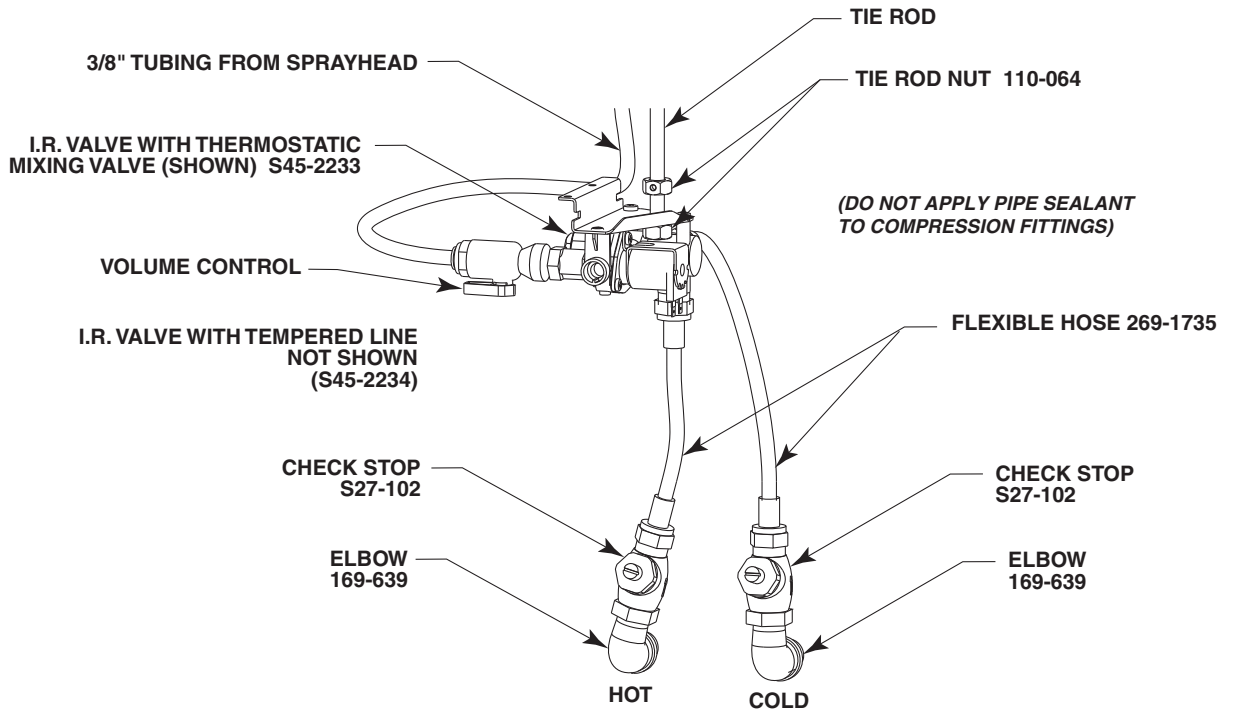


Figure 9a

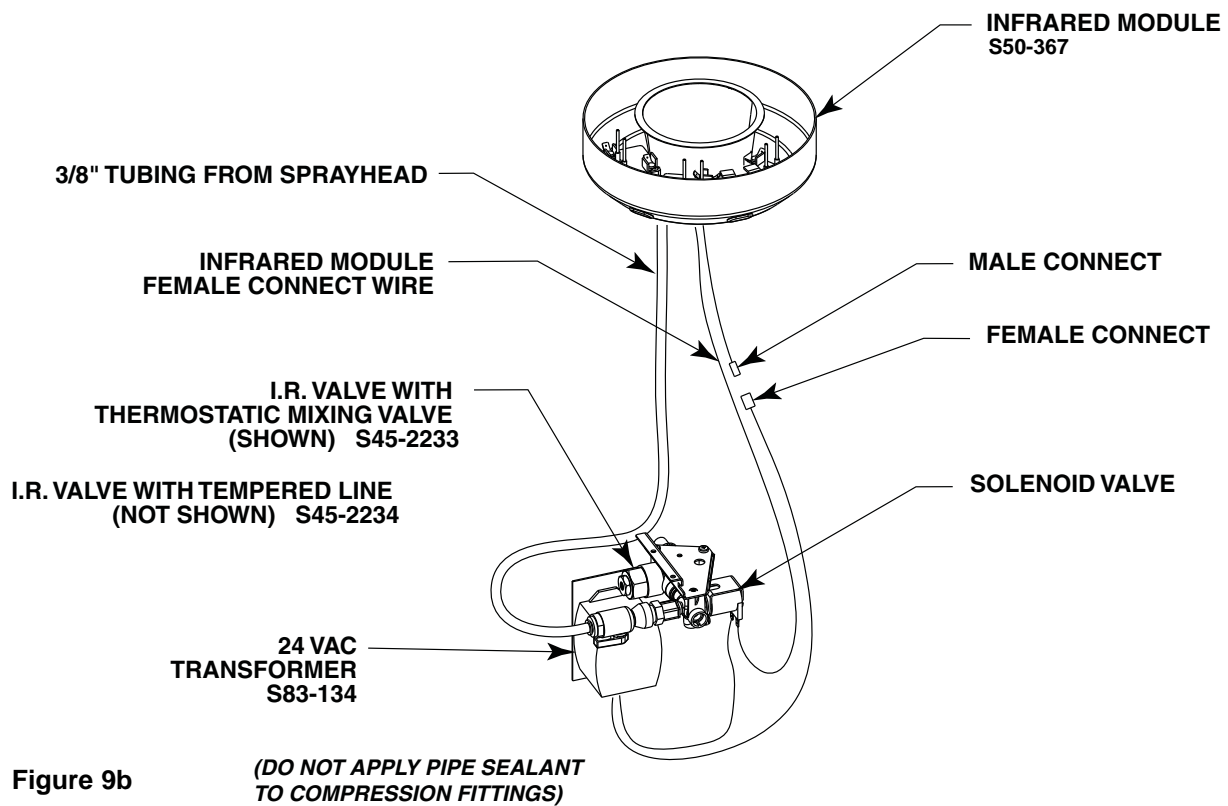


Figure 9b

Vernatherm Adjustment Instructions



NOTE: The Vernatherm TMA valve is NOT factory preset. Upon installation, the temperature of this valve must be checked and adjusted to ensure delivery of a safe water temperature. *Water in excess of 110°F (43°C) may cause scalding.*

A

CHECK THE TEMPERATURE AND ADJUST IF NECESSARY (THE RANGE OF THE VALVE IS 95°F–115°F (35°C–43°C). TO ADJUST THE TEMPERATURE, FOLLOW THE PROCEDURE BELOW:

- LOOSEN TEMPERATURE LOCKING NUT WITH WRENCH.
- USING A BLADE SCREWDRIVER, TURN THE ADJUSTMENT STEM COUNTERCLOCKWISE TO INCREASE THE TEMPERATURE OR CLOCKWISE TO DECREASE THE TEMPERATURE (FIGURE 10).
- ONCE DESIRED TEMPERATURE IS REACHED, TIGHTEN NUT TO PREVENT TEMPERATURE CHANGE.

B

CLEAN SPRAYHEAD IF NECESSARY. SEE PAGE 19 FOR SPRAYHEAD MAINTENANCE AND REPAIR PARTS. ADJUST THE VOLUME CONTROL VALVE, IF NECESSARY, TO CONTROL THE FLOW OF WATER.

C

ATTACH PEDESTAL ACCESS PANEL WITH HARDWARE PROVIDED.

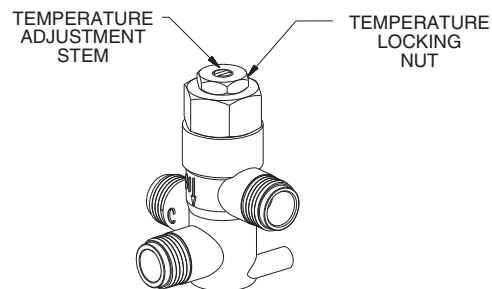


Figure 10

Cleaning/Maintenance Instructions for Terreon®

Material Description: Terreon® is a NAHB Certified densified solid surface material composed of polyester resin and is resistant to chemicals, stains, burns and impact. Surface damage can be easily repaired with everyday cleansers or fine grit abrasives.

Routine Cleaning: Clean daily or as often as conditions require using a standard commercial or household cleaner such as Formula 409® or Windex®.

Stubborn Stains: Remove tough stains with Ajax®, Comet®, or Soft-Scrub® and a green Scotch-Brite® pad or lightly sand in a circular motion with 240 grit wet/dry sandpaper. The finish can be renewed with a maroon Scotch-Brite pad.

Special Situations for Material

Scratches: Remove scratches with a green Scotch-Brite® pad. The finish can then be renewed with a maroon Scotch-Brite® pad.

Hard Water Deposits: Remove hard water deposits with a mild solution of vinegar and water. Always rinse the unit thoroughly after cleaning.

Restoring the Surface: Use Hope's® Solid Surface cleaner and polish to refresh and protect the Terreon Solid Surface material. Bradley recommends additional care and maintenance for the darker colored Terreon, for complete instructions on this additional maintenance see Bradley document #1505.



IMPORTANT: DO NOT USE STRONG ACID OR ALKALINE CHEMICALS AND CLEANSERS TO CLEAN TERREON. IF THESE CHEMICALS COME IN CONTACT WITH THE TERREON SURFACE WIPE THEM OFF IMMEDIATELY AND RINSE WITH SOAPY WATER. AVOID CONTACT WITH HARSH CHEMICALS SUCH AS PAINT REMOVER, BLEACH, ACETONE, ETC. AVOID CONTACT WITH HOT PANS AND OBJECTS.

Repair Kits: Terreon® repair kits are available. Contact your Bradley representative or distributor for part numbers and pricing.

NOTE: Repair kits are made to order and have a shelf life of 30 days.

Brand Names: Use of brand names is intended only to indicate a type of cleaner. This does not constitute an endorsement, nor does the omission of any brand name cleaner imply its inadequacy. Many products named are regional in distribution, and can be found in local supermarkets, department and hardware stores, or through your cleaning service. It is emphasized that all products should be used in strict accordance with package instructions.

Cleaning/Maintenance Instructions for Gel-coated Fiberglass

Material Description: The Terreon® Washfountains referenced in this installation manual use a gel-coated fiberglass pedestal.

Routine Cleaning: The gel-coated pedestal should be cleaned daily or as often as needed with a mild solution of detergent and water. Always use a soft cloth to avoid damage to the finish.

Repair Kits: There are no repair kits available for fiberglass materials. However, replacement parts are available, contact your Bradley representative for pricing and part numbers.



IMPORTANT: DO NOT EXPOSE GEL-COATED FIBERGLASS TO SOLVENTS AS THEY WILL DAMAGE THE MATERIAL AND MAY CREATE HARMFUL FUMES.

Brand Names: Use of brand names is intended only to indicate a type of cleaner. This does not constitute an endorsement, nor does the omission of any brand name cleaner imply its inadequacy. Many products named are regional in distribution, and can be found in local supermarkets, department and hardware stores, or through your cleaning service. It is emphasized that all products should be used in strict accordance with package instructions.

Cleaning and Maintenance Instructions for Stainless Steel

Material Description: Stainless steel is extremely durable, and maintenance is simple and inexpensive. Proper care, particularly under corrosive conditions, is essential. Always start with the simplest solution and work your way toward the more complicated.

Routine Cleaning: Daily or as often as needed use a solution of warm water and soap, detergent, or ammonia. Apply the cleaning solution per the manufacture's instructions and always use a soft cloth or sponge to avoid damaging the finish.

Stubborn Stains: To remove stains from stainless steel use a stainless steel cleaner and polish such as Ball® stainless steel cleaner or a soft abrasive. Always follow the manufacture's instructions and apply in the same direction as the polish lines.



IMPORTANT: NEVER USE ORDINARY STEEL WOOL OR STEEL BRUSHES ON STAINLESS STEEL. ALWAYS USE STAINLESS STEEL WOOL OR STAINLESS STEEL BRUSHES.

Special Situations for Material

Finger Prints and Smears: To remove fingerprints or smears use a high quality stainless steel cleaner and polish in accordance with the manufacture's instructions. Many of these products leave a protective coating that helps prevent future smears and fingerprints.

Grease and Oil: To remove grease and oil use a quality commercial detergent or caustic cleaner. Apply in accordance to the manufacture's instructions and in the direction of the polish lines.

Precautions: Avoid prolonged contact with chlorides (bleaches, salts), bromides (sanitizing agents), thiocyanates (pesticides, photography chemicals, and some foods), and iodides on stainless steel equipment, especially if acid conditions exist.



IMPORTANT: DO NOT PERMIT SALTY SOLUTIONS TO EVAPORATE AND DRY ON STAINLESS STEEL.

The appearance of rust streaks on stainless steel leads to the belief that the stainless steel is rusting. Look for the actual source of the rust in some iron or steel particles which may be touching, but not actually a part of the stainless steel structure.

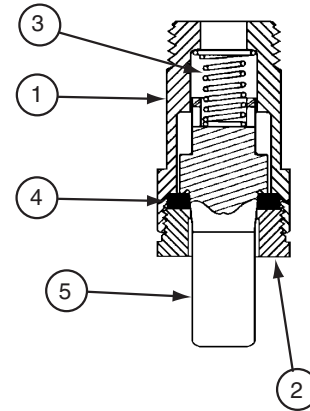
NOTE: Strongly acidic or caustic cleaners may attack the steel causing a reddish film to appear. The use of these cleaners should be avoided.

Brand Names: Use of brand names is intended only to indicate a type of cleaner. This does not constitute an endorsement, nor does the omission of any brand name cleaner imply its inadequacy. Many products named are regional in distribution, and can be found in local supermarkets, department and hardware stores, or through your cleaning service. It is emphasized that all products should be used in strict accordance with package instructions.

Soap Valve — Liquid — S09-007S

Parts List

Item	Part No.	Description	Attaching Parts S09-007S	
			Qty	
1	118-025	Valve Body	1	
2	110-007	Packing Nut	1	
3	135-001L	Spring	1	
4	125-001BU	Washer	1	
5	119-028	Plunger	1	
*	161-014	Nut	1	
*	124-001D	Washer	2	
*	142-002AH	Washer - Stainless Steel	1	



* Not Illustrated

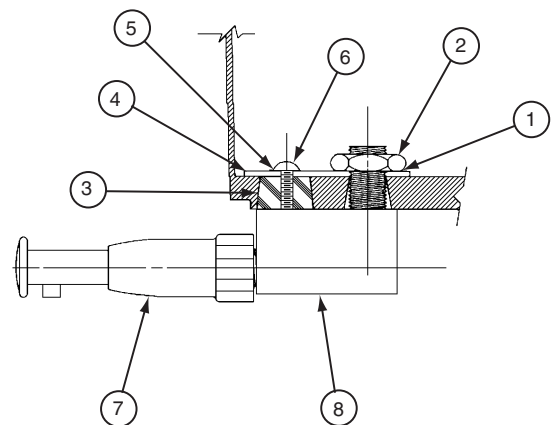
This valve delivers a measured amount of soap with each upward stroke. The soap dispenser has been standard on washfountains since 1983 and is not well-suited for very thick lotion soaps.

NOTE: Lotion soap will clog liquid soap valves. Use only lotion soap valves with lotion soap.

Soap Valve — Lotion — S09-057S

Parts List

Item	Part No.	Description	Attaching Parts S09-057S	
			Valve Assembly S09-057	Qty
1	124-001D	Washer	—	1
2	110-057	Nut	—	1
3	125-001AN	Stopper	—	1
4	159-114	Reinforcing Plate	—	1
5	124-001AT	Washer	—	1
6	160-176	Screw	—	1
7	S09-040	Valve	1	1
8	S53-045	Adaptor	1	1



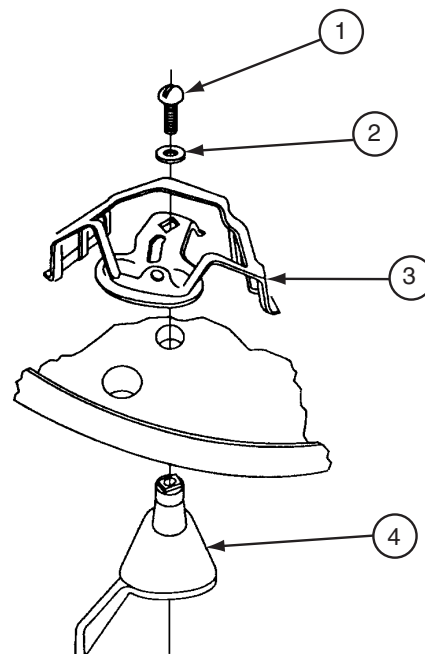
Soap Valve — Powdered — S09-010A

Parts List

Item	Part No.	Qty	Description
1	160-069	1	Screw, 1/4-20 RD
2	142-002X	1	Washer, 1/4 Split-Lock
3	S62-002	1	Agitator / Slide Assy.
4	192-004	1	Lever - Powdered Soap

NOTE: Reducer plugs are available for use with fine granulated soap to reduce the flow.

NOTE: Valves can be changed from powdered to liquid by plugging the innermost, or "bearing" hole with rubber plug, part number 125-001AK. To change from liquid to powdered, the plug must be removed. If none is present, it will be necessary to drill out the bearing hole with a 1/2" or 5/8" drill. The plastic container configuration forms a natural template for locating the bearing hole.



Soap Maintenance Tips

SOAP RECOMMENDATIONS

Quality soap dispensers require good quality soap and periodic maintenance to properly operate. Bradley soap dispensers will provide dependable, consistent operation over the long term when soap with reasonable viscosity and pH levels are used and when a minimal amount of periodic maintenance is performed on the valves.

Soap thickness is determined by a measurement called viscosity. Soap viscosity should be between 100 cps (centerpoise) and 2500 cps for all Bradley soap dispensers. Thinner soaps are perceived by the users as being “watered down” so users tend to take more than they need, resulting in waste. Thick soaps flow slower and inhibit the “flushing” action of the valves, which allows the soap to congeal in the valve and cause clogs.

The pH (acid) level of the soap should be in the range of 6.5 to 8.5. More acidic soaps (pH levels lower than 6.5) will corrode metal parts (even stainless steel!!) and degrade rubber and plastic components. They will also cause skin irritation. Most inexpensive soaps (typically the pink lotion type) fall into this acidic category and will eventually cause valve failure and metal corrosion. Base soaps (pH levels higher than 8.5) will cause swelling or degradation of rubber and plastic parts and skin irritation.

Generally, any quality soap meeting the viscosity and pH guidelines above will work well with Bradley soap dispensers. PCMX or Isopropanol based antibacterial soaps (within viscosity and pH limits) will also work with Bradley dispensers. Soaps satisfying these basic guidelines will provide consistent flow and reduce clogs.

Most soap dispenser problems are caused by soap that is too thick or corrosive, or by a lack of maintenance. Many soaps come in concentrate form which must be diluted with water. Often, the soap is improperly diluted or used straight out of the bottle, which causes clogging and valve failure. If proper soap is being used, valves that have never been cleaned are usually the source of dispensing problems. Bradley has entered into an agreement with Champion Brand Products to provide additional customer service for purchasers of our dispensers regarding soap issues. They are very helpful and can get to the bottom of almost any soap dispenser related problem. They also sell an excellent “Bradley approved” soap. Please see **Soap Instruction Sheet 215-1286** for details about soap valve cleaning or how to contact Champion. With proper maintenance and soap, Bradley dispensers will provide long term, trouble free operation.

SOAP DISPENSER MAINTENANCE INSTRUCTIONS

Bradley soap dispensers will provide dependable, consistent operation over the long term when the proper soap is used and when a minimal amount of periodic maintenance is performed on the valves. Valves must be maintained (cleaned) to function properly.

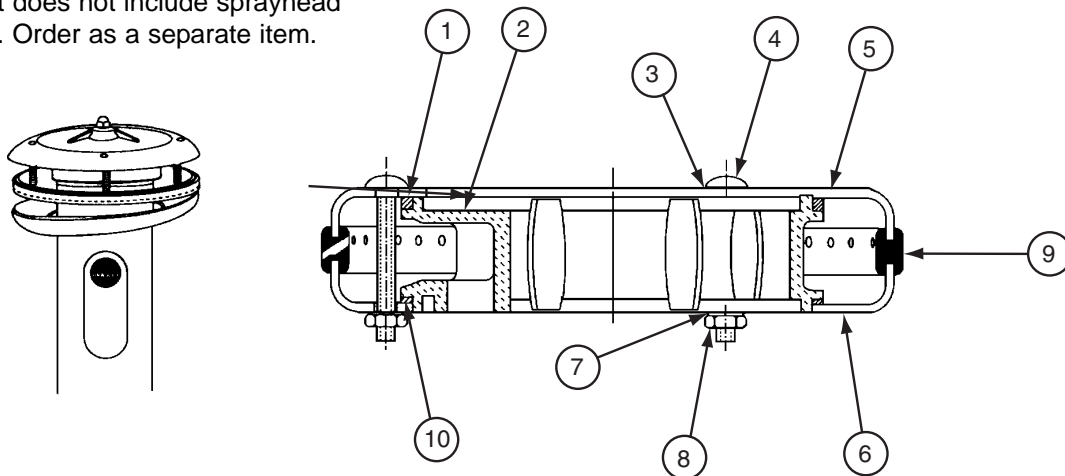
To ensure proper operation of your soap dispenser, follow these instructions:

- Once per month, unscrew valve from reservoir and soak it for 30 minutes in hot water.
- Push valve at least 20 times while it is soaking.
- Flush soap reservoir with hot water while valve is soaking.

In cases of extreme clogging, the valve should be disassembled and the parts should be soaked in hot water or cleaning solution to restore proper functioning. Soap dispensers that will not be used for extended periods of time (schools during summer break, etc.) should be drained, cleaned and left empty until put back into service. Soap left on the outside of dispensers can cause discoloration and corrosion of the reservoir (even on stainless steel units). All soap should be wiped or scrubbed off daily, then the outside of the dispenser should be rinsed with clear water and dried with a soft cloth.

Sprayheads — Standard w/Neoprene Spray Ring Grommet

NOTE: Repair kit does not include sprayhead grommet. Order as a separate item.



Parts List

Item	Part No.	Description	Sprayhead Assembly S05-054B	Repair Kit S45-051
			Qty	
1	125-001DE	Neoprene Washer-Top	1	1
2	139-031	Sprayhead Manifold	1	—
3	124-001AL	Washer	3	4
4	160-211	Carriage Bolt	3	4
5	115-061	Sprayhead Top	1	—
6	116-008	Sprayhead Bottom	1	—
7	124-001AT	Washer	3	4
8	161-025	Nut	3	4
9	124-020D	Sprayhead Grommet - Semi-circle	1	—
10	125-001DF	Neoprene Washer-Bottom	1	1

Sprayhead Service Suggestions

Problem: Water splashes over the rim of the bowl.

Cause: Foreign matter has reduced the size of the sprayhead slots, causing greater pressure at the open slots.

Solution: Clean the sprayhead:

1. Disassemble the sprayhead and dislodge any dirt, lime build-up and foreign debris with a wire brush.
2. Sprayheads with rubber grommet spray rings may be cleaned by rubbing a coin over the grommet.
3. Throttle down the volume control (water spray should strike the bowl without splashing outside of the bowl).

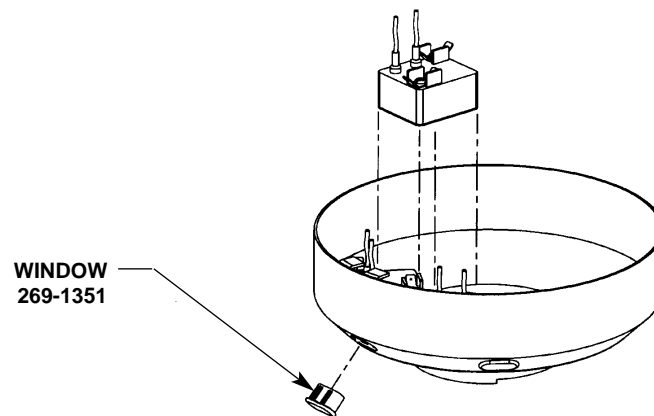
Problem: Water flow diminishes from the sprayhead.

Cause: Strainer portion of the stop-strainer-check valve is plugged.

Solution: Remove and clean the strainer screen from the stop-strainer-check valve.

NOTE: The sprayhead shown above includes a perforated neoprene spray ring grommet that is self-cleaning. The water pressure flexes the spray holes which slows accumulation of foreign matter and tends to "break loose" any such deposits that may have accumulated.

I.R. Module Assembly Components S50-367



IR Actuator

Troubleshooting Adaptive IR

There is a LED diagnostic light built into the small black box housing the circuitry for the sensor. Below is a list of what the signals from the LED mean. Use this list to troubleshoot the sensor.

1. LED not illuminated — no power is getting to the sensor. Check for power at the 110 VAC wall outlet and from the wires from the 24 VAC transformer. If there is 110 VAC power at the wall outlet, but no power from the transformer, touching the leads from the transformer while plugged in or a power surge may have burned out the transformer. Add surge protection at the outlet if a power surge is suspected and replace the transformer. If 24 VAC power is being supplied from the transformer, check for loose wire connections and check connections against the wiring diagram (see Figure 9b).
2. Fast Blink — Sensor is detecting something in its view and water should be on (power is being sent to the solenoid). If the sensor is blinking fast, the water is turning on and there is nothing in the detection area, disconnect the power for at least 30 seconds. This will allow the sensor to lose its memory and be reset. Reconnect the power and wait 2 full minutes to allow the sensor to relearn the environment before attempting to activate. The sensor may take up to 8 minutes to readjust if it activated during those 2 minutes. If the condition persists, make sure the LEDs at the ends of the sensor cables are pushed all the way in to the backs of the lenses. If the sensor is blinking fast and the water is not turning on, go through the troubleshooting guide for the solenoid.
3. Slow Blink — Sensor is detecting something in its view and the water is off (power is not being sent to the solenoid). The sensor has detected a stationary object in its view for more than 30 seconds and shut off power to the solenoid valve. Remove the object, if it is still in the bowl, and repeat the part of Step 2 for resetting the sensor.
4. Blinking SOS (3 short, 3 long, 3 short) — The sensor has detected an overload condition and shut down to protect its circuits. Check connections against the wiring diagram. This condition usually means the solenoid valve is not properly wired. After correcting any wiring error, it will be necessary to restart the sensor by repeating the part of Step 2 for resetting the sensor.

If you need further assistance, please call your local Bradley Representative. Please call us at 1-800-Bradley if you need the name and telephone number of your local Bradley Representative.

Solenoid Valve Troubleshooting



CAUTION: Turn off water supplies to unit before troubleshooting.

Problem: An individual operating station fails to shut off and drips.

Cause: There is debris trapped between the diaphragm and the valve seat.

Solution: Remove debris between diaphragm and the valve seat.

1. Remove the three #8 Phillips-head screws that hold the solenoid valve assembly together. Be careful not to lose the armature or spring (see Figure 11 on page 22).
2. Remove the diaphragm. Remove any particles that have been trapped between the diaphragm and the valve seat. Rinse off the diaphragm and inspect for damage. Make sure the center orifice and both small side orifices are open.
3. Reassemble in reverse order, being careful not to overtighten the Phillips-head screws or you may crack the plastic valve body. Tighten until the armature plate makes contact with the plastic body.
4. Reconnect the wiring per diagram on page 12.

Problem: An individual operating station fails to turn on.

Cause: A failed coil for the valve or loose electrical connection to the terminal.

Solution: Test the station to determine cause.

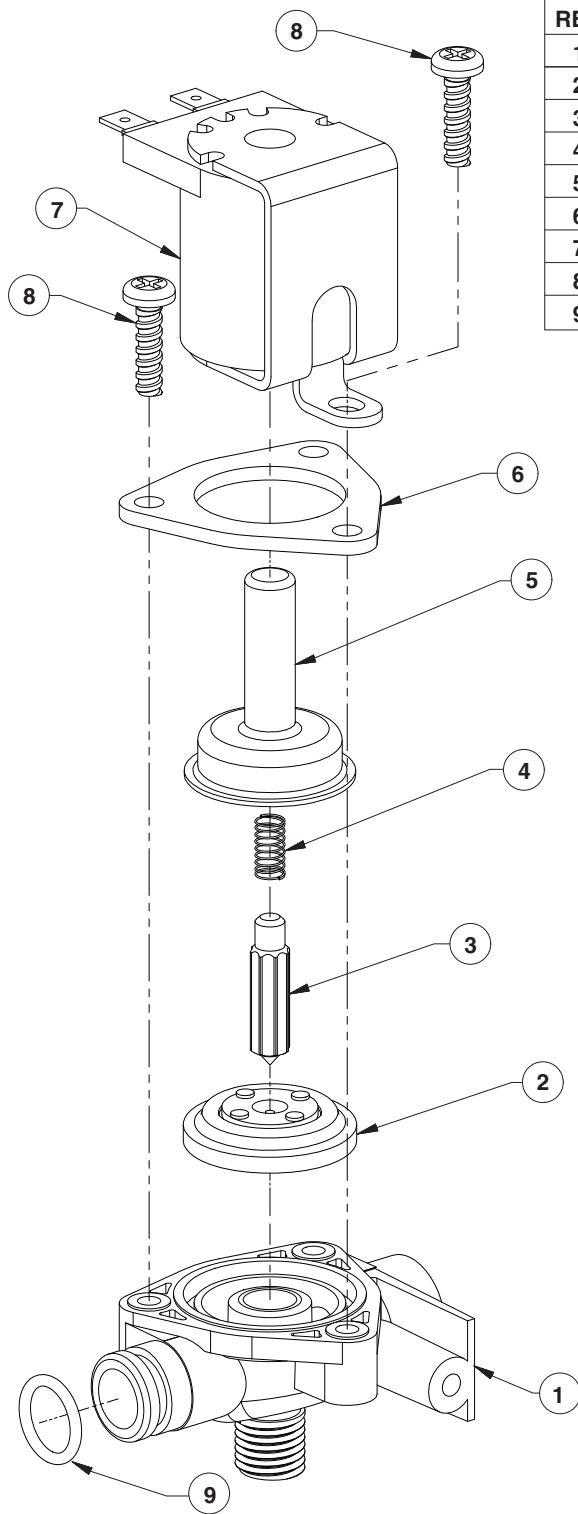
1. Disconnect the wires from the coil of an adjacent valve. Disconnect the wires from the problem valve and reconnect to the adjacent valve.
2. Turn on electrical and water supplies to the unit. Pass your hand in front of the sensor of the problem station, and the adjacent station should turn on.

If the adjacent station turns on and cycles normally, replace the coil on the problem valve.

If the adjacent valve fails to turn on, inspect the wires from the sensor cable and do the following:

- make sure there are no breaks and that the fully insulated disconnect terminals are firmly crimped in place;
- turn off the electrical and water supplies;
- reconnect to the adjacent valve and turn on the water supplies to the unit;
- pass your hand in front of the sensor. If the station still fails to turn on, replace the sensor.

Solenoid Valve S07-069 (closed body)



REF.	QTY.	PART NO.	DESCRIPTION
1	1	118-308	VALVE BODY, 5/16" CLOSED
2	1	269-983	DIAPHRAGM
3	1	269-577	ARMATURE
4	1	269-578	SPRING
5	1	269-1729	ARMATURE HOUSING
6	1	269-1730	CLAMP, ARMATURE HOUSING
7	1	269-579	COIL, SOLENOID VALVE
8	3	160-447	SCREW, #8 X 5/8
9	1	125-165	O-RING, #2-013

Figure 11

Thermostatic Mixing Valve Troubleshooting

NOTE: Before attempting to troubleshoot the valve or disassemble the components, check for the following conditions:

- *If stop/check valves are used, make sure that they are fully open.*
- *Make sure that the hot and cold inlet pipes are connected properly, and that there are no cross-connections or leaking stop/check valves.*
- *Check the hot water heater output to make sure that it is at least 20° F above the set temperature.*

Be sure to close the appropriate shut-off valves prior to disassembly of the valve and reopen the valves after inspection and repair is complete.

Problem: Limited water flow

Cause: Dirt and debris have built up in the valve or strainer.

1. Remove and clean strainer (see Figure 12 or 13 on page 24). If strainer needs to be replaced, order Bradley part no. 173-028.
2. Check the piston for smooth movement.

To check the valve's piston for free and smooth movement, follow the procedures outlined below:

1. Remove the valve's cap and thermostat (see Figure 12 on Page 24).
2. Push down on the piston with your finger (the piston should move freely). If the movement is not as it should be, the piston needs to be cleaned. Follow the method outlined below for cleaning the piston and valve body:
 - Remove the thermostat.
 - Lift the piston out with a needle-nose pliers and remove the spring.
 - Any cleaner suitable for brass and stainless steel may be used (if cleaning with suitable cleaner is not sufficient to remove debris, a 400-grit sandpaper may be used to polish and hone the piston and valve body).
 - Snap spring into piston (will detent) and reassemble into the valve body. Retest the piston.
3. If, after a thorough cleaning, the piston does not move freely, the piston must be replaced. Contact your Bradley representative and ask for Repair Kit (part number S65-259).

Problem: External leaks in the system

Cause: O-rings have been damaged.

Solution: Replace O-rings where necessary. For replacement of the O-rings, contact your Bradley representative and ask for Repair Kit (part number S65-259).

Problem: Improper water temperature or temperature fluctuation

Cause: Thermostat is slowly failing or not working at all.

Solution: Check the thermostat for proper operation.

1. At room temperature (80° F or less) remove cap and thermostat.
2. Place thermostat into container with 115° F water. The pushrod should pop out of the thermostat approximately 1/10".
3. If thermostat pushrod does not pop out, the thermostat must be replaced. Contact your Bradley representative and ask for Repair Kit (part number S65-259).

Cause: Valve temperature is not properly set.

Solution: Adjust the temperature. Using a blade screwdriver, turn the adjustment stem **counterclockwise** to **increase** the temperature or **clockwise** to **decrease** the temperature.

Vernatherm™ thermostatic mixing valve (S01-524)

Repair Kit S65-259

Item	Qty	Description
5	1	Thermostat
7	1	O-Ring
8	1	O-Ring

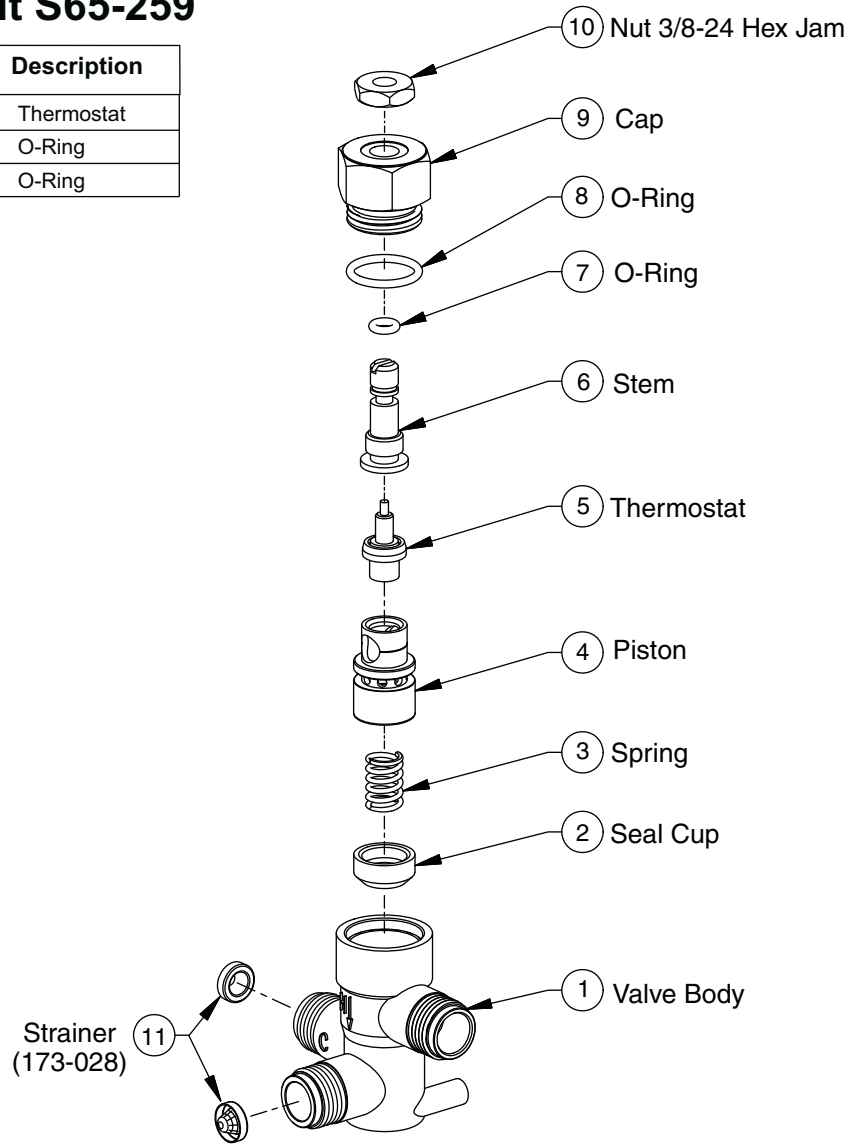


Figure 12

Tempered Line Adapter Assembly (S39-685) Option

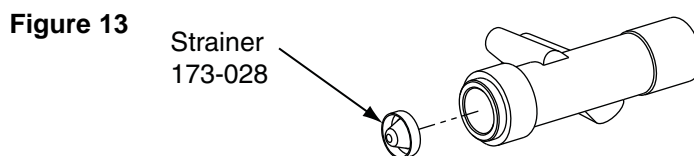


Figure 13

Sommaire

Informations sur la pré-installation	25
Dimensions du lavabo fontaine Modèle TDB3103	26
Dimensions du lavabo fontaine Modèle WF3203	27
Mises en place des tuyauteries du lavabo fontaine	28-29
Instructions relatives à l'installation	30-35
Instructions de réglage Vernatherm	36
Nettoyage/Entretien Terreon®	37
Nettoyage/Entretien fibre de verre à enduit gélifié	37
Nettoyage/Entretien acier inoxydable	38
Pièces de réparation de robinet distributeur de savon	39-40
Recommandations de savon et conseils d'entretien	41
Guide de dépannage du bec diffuseur et Pièces de réparation	42
Composants de l'ensemble de module I.R.	43
Dépannage du module à infrarouge	43
Guide de dépannage du robinet électromagnétique	44-45
Entretien du robinet mélangeur Vernatherm™	46-47
Entretien de la crépine	46-47

Fournitures requises par l'installateur

- (4) tire-fond de 1/2", vis ou autres fixations pour ancrer le socle du lavabo fontaine
- conduites d'alimentation d'eau chaude et d'eau froide de 1/2" et raccords (consulter les mises en place des tuyauteries à la page 29)
- Diminution des raccords et conduites d'alimentation en tubulure de cuivre de 1/2" nom. pour types de fournitures ci-dessus
- Siphon en P standard (consulter les mises en place des tuyauteries aux pages 28-30)
- conduites de vidange de 1-1/2" et raccords (consulter les mises en place des tuyauteries aux pages 28-30)
- Ruban Téflon ou pâte lubrifiante
- Source d'alimentation GFI (interrupteur de défaut à la terre) de 110 V c.a. pour transformateur de 110/24 V c.a. UL Classe II fourni
- EN OPTION : Bradley recommande d'installer un coupe-circuit électrique sur l'unité. Cette fonction empêche toute distribution d'eau accidentelle durant l'entretien ou les réparations standard.

Informations sur la pré-installation

Matériau Terreon®

Le lavabo fontaine est construit en Terreon®, matériau de surface massif densifié composé de résine de polyester. Terreon® résiste aux produits chimiques, aux taches, aux brûlures et à l'impact. Les dommages de surface peuvent être facilement réparés à l'aide de produits nettoyants ordinaires ou d'abrasifs à grains fins. Terreon® est certifié NAHB pour être conforme aux normes ANSI Z124.3, Z124.6 et ANSI/ICPA SS-1-2001.

Infrarouge Adaptive

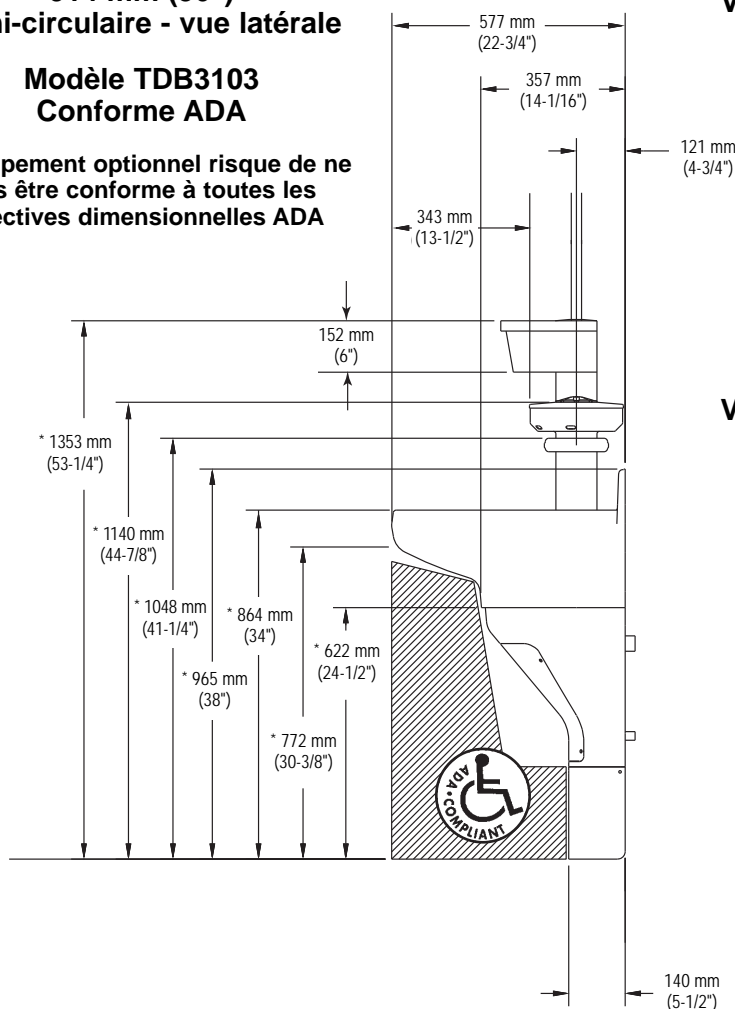
Le bec diffuseur est contrôlé par un robinet électromagnétique, permettant à l'utilisateur d'activer un débit d'eau. Le détecteur à infrarouge prendra quelques minutes à s'adapter à son environnement lorsque l'unité est mise sous tension.

Dimensions du lavabo fontaine semi-circulaire

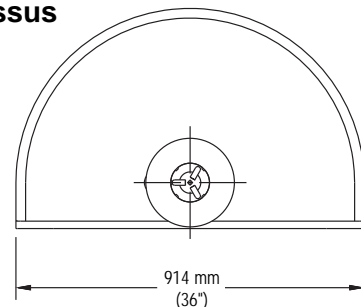
Modèle TDB3103
914 mm (36")
Semi-circulaire - vue latérale

Modèle TDB3103
Conforme ADA

L'équipement optionnel risque de ne pas être conforme à toutes les directives dimensionnelles ADA



Vue de dessus



Vue arrière

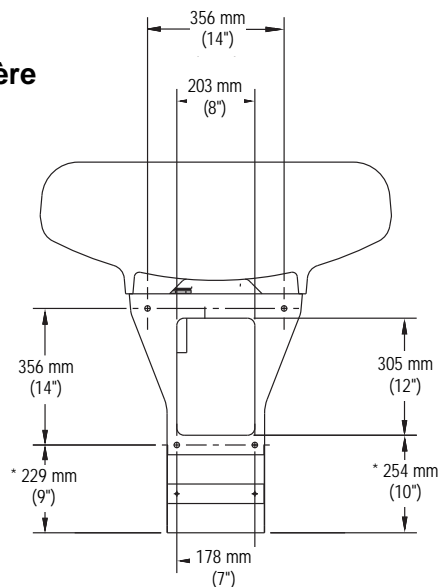
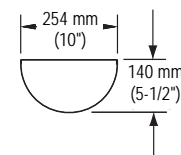


Figure 1a

Vue de dessous

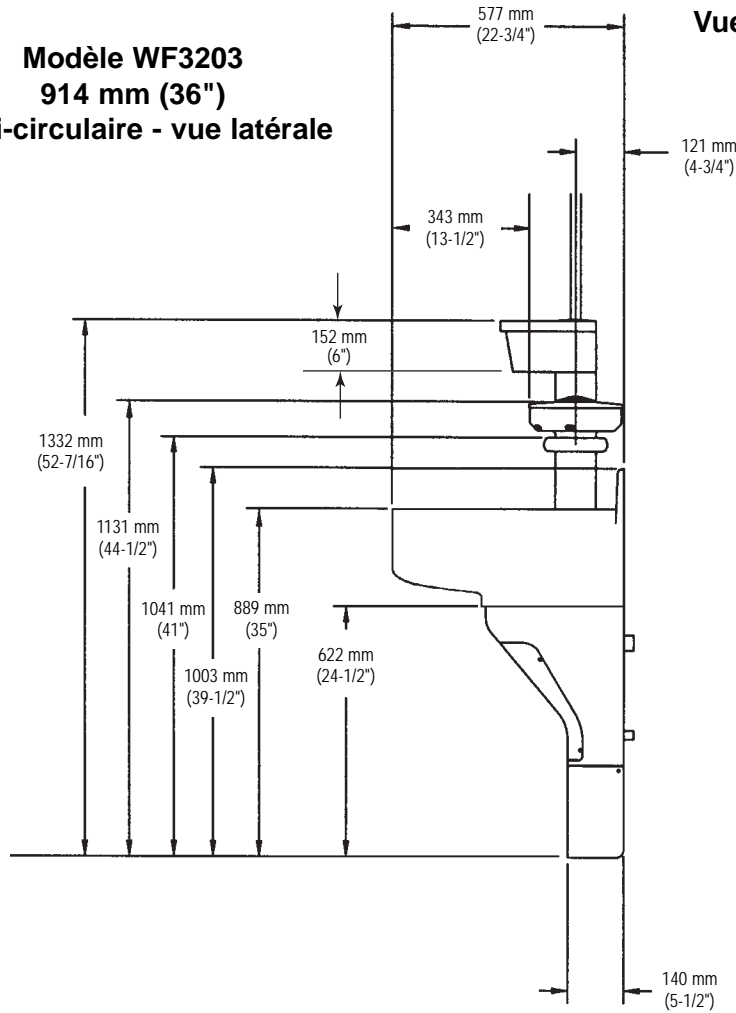


*** AJUSTEMENTS AUX DIMENSIONS VERTICALES POUR DIVERSES HAUTEURS DE BORD**

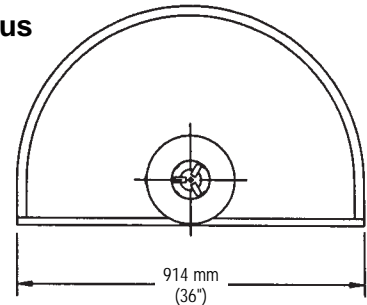
Hauteur de bord	Application	Ajustement
864 mm (34")	Hauteur adulte ADA, Hauteur adulte TAS	Néant, comme indiqué
813 mm (32")	TAS Âges 11 à 14 ou 15, Niveaux scolaires 6 à 8 ou 9	Soustraire 51 mm (2")
762 mm (30")	TAS Âges 4 à 10 ou 11, Niveaux scolaires 6 à 8 ou 9 et Hauteur enfant proposée ADA	Soustraire 102 mm (4")

Dimensions du lavabo fontaine semi-circulaire

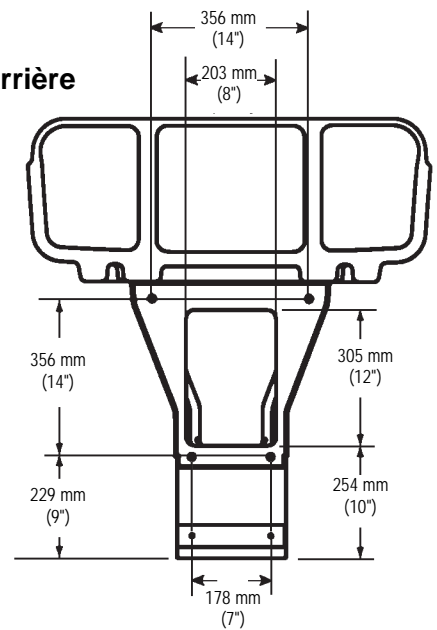
Modèle WF3203
914 mm (36")
Semi-circulaire - vue latérale



Vue de dessus



Vue arrière



Vue de dessous

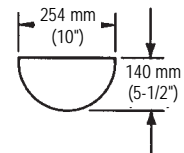


Figure 1b

Mises en place des tuyauteries du lavabo fontaine semi-circulaire

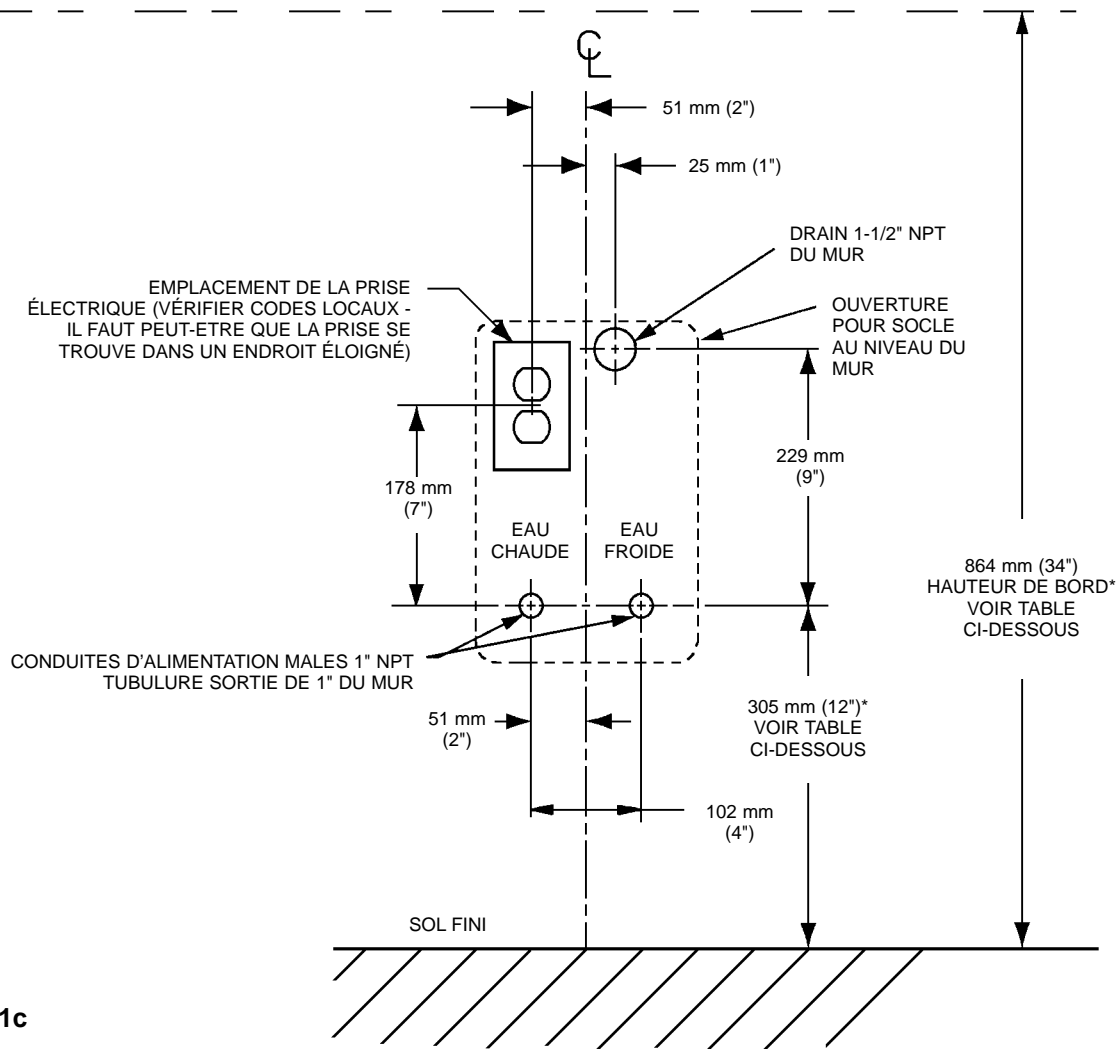


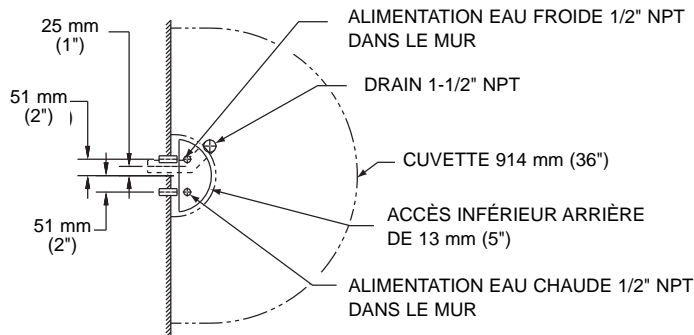
Figure 1c

* AJUSTEMENTS AUX DIMENSIONS VERTICALES POUR DIVERSES HAUTEURS DE BORD		
Hauteur de bord	Application	Ajustement
864 mm (34") 889 mm (35") (WF3203)	Hauteur adulte ADA, Hauteur adulte TAS	Néant, comme indiqué
813 mm (32")	TAS Âges 11 à 14 ou 15, Niveaux scolaires 6 à 8 ou 9	Soustraire 51 mm (2")
762 mm (30")	TAS Âges 4 à 10 ou 11, Niveaux scolaires Pre-K à 5 ou 6 et Hauteur enfant proposée ADA	Soustraire 102 mm (4")

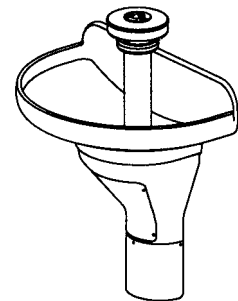
Spécifications de mise en place des tuyauteries

Drain de type A

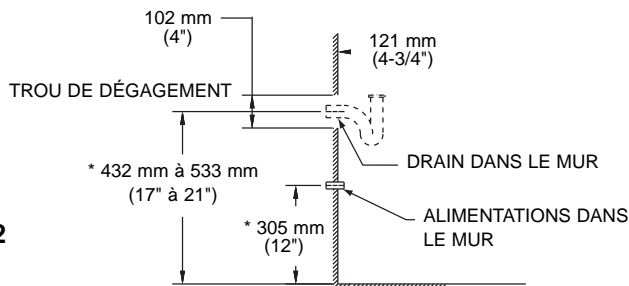
- Alimentations dans le mur
- Aération par le mur hors du drain



REMARQUE :
SIPHON P DE DRAIN ET FOURNITURES PAR AUTRUI



SIPHON POUR DÉCHARGE MURALE UNIQUEMENT



REMARQUE : Les conduites d'alimentation pour un ou deux lavabos fontaines doivent être de 1" ; pour trois lavabos fontaines, de 1-1/4". Pour plus de trois lavabos fontaines, augmenter les dimensions de tuyaux proportionnellement.

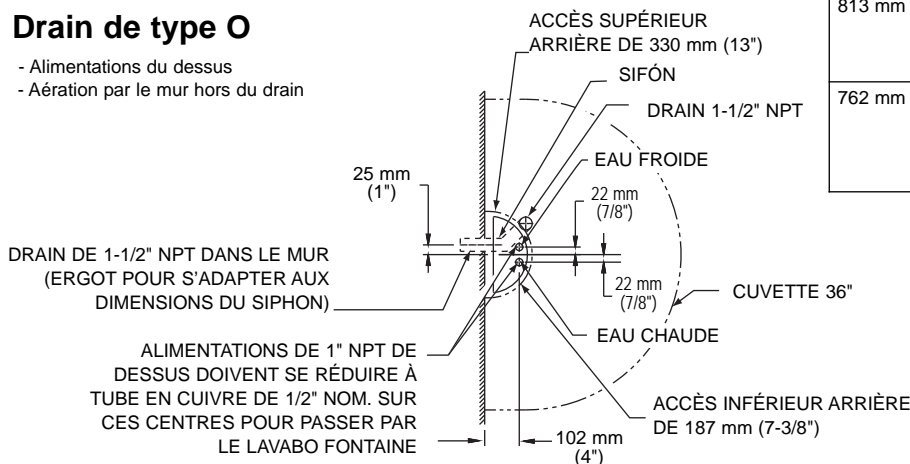
Figure 2

*** AJUSTEMENTS AUX DIMENSIONS VERTICALES POUR DIVERSES HAUTEURS DE BORD**

Hauteur de bord	Application	Ajustement
864 mm (34") 889 mm (35") (WF3203)	Hauteur adulte ADA, Hauteur adulte TAS	Néant, comme indiqué
813 mm (32")	TAS Âges 11 à 14 ou 15, Niveaux scolaires 6 à 8 ou 9	Soustraire 51 mm (2")
762 mm (30")	TAS Âges 4 à 10 ou 11, Niveaux scolaires Pre-K à 5 ou 6 et Hauteur enfant proposée ADA	Soustraire 102 mm (4")

Drain de type O

- Alimentations du dessus
- Aération par le mur hors du drain



SIPHON POUR DÉCHARGE MURALE UNIQUEMENT

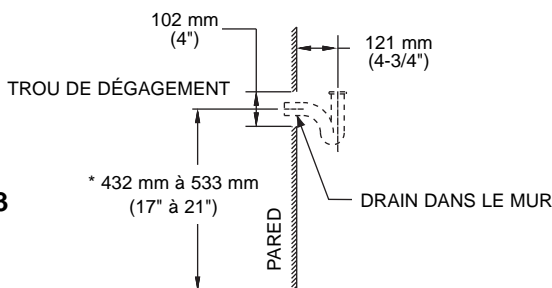
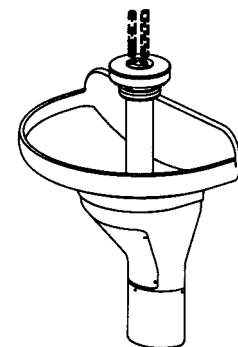


Figure 3



REMARQUE : Les conduites d'alimentation pour un ou deux lavabos fontaines doivent être de 1" ; pour trois lavabos fontaines, de 1-1/4". Pour plus de trois lavabos fontaines, augmenter les dimensions de tuyaux proportionnellement.

1 Mise en place des tuyauteries de drain et d'alimentation

A METTRE EN PLACE DES CANALISATIONS D'ALIMENTATION ET DE DRAIN TEL QUE REQUIS POUR L'INSTALLATION (VOIR PAGES 28 À 29 POUR MISES EN PLACE DES TUYAUTERIES DES INSTALLATIONS EN OPTION).

REMARQUE :

Un emplacement pour brancher le transformateur 24 V c.a. est nécessaire. Consulter la Figure 1c en page 28 pour mises en place des tuyauteries de sortie.

2 Montage de l'ensemble cuvette et socle

A ATTACHER LA BASE DU SOCLE EN ACIER INOXYDABLE AU SOCLE À L'AIDE DES VIS ET DES RONDELLES DE FINITION FOURNIES. POUR LES MODÈLES À MONTAGE MURAL, VOIR LES PAGES 26 À 27 POUR HAUTEUR DE SOCLE.

REMARQUE :

Avant d'attacher les écrous à oreilles de 1/4" et les rondelles à la tige filetée, retirer les capuchons protecteurs rouges des tiges filetées. Jeter les capuchons de gaine après dépose.

B POSITIONNER LE SOCLE À L'EMPLACEMENT DÉSIRÉ ET MARQUER LA POSITION DES (4) EMBLEMES DE MONTAGE MURAL DU SOCLE.

C FIXER LE SOCLE AU MUR À L'AIDE DE FIXATIONS ADÉQUATES, DE DISPOSITIFS D'ANCRAGE DE 1/2" ET DE BOULONS DE 1/2" (FOURNIS PAR L'INSTALLATEUR) (VOIR FIGURE 1B POUR EMBLEMES DE MONTAGE MURAL).

D À L'AIDE DE DEUX PERSONNES, SOULEVER SOIGNEUSEMENT LA CUVETTE SUR LE SOCLE (VOIR FIGURE 4).



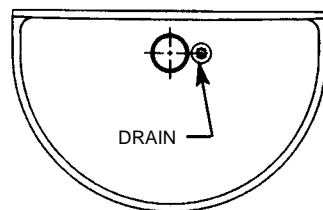
ATTENTION :

La surface de la cuvette est lisse. La cuvette pèse approximativement 34 kg (75) lbs. Manipuler avec soin !

E POSITIONNER LA CUVETTE DE MANIÈRE À CE QUE LES TIGES FILETÉES DE LA CUVETTE CORRESPONDENT AUX TROUS ALLONGÉS DANS LE SOCLE (VOIR FIGURE 4).

F À L'AIDE DES ÉCROUS À OREILLES DE 1/4" ET DES RONDELLES, FIXER LA CUVETTE SUR LE SOCLE, À TROIS ENDROITS (VOIR FIGURE 4).

VUE DE DESSUS



VUE DE FACE

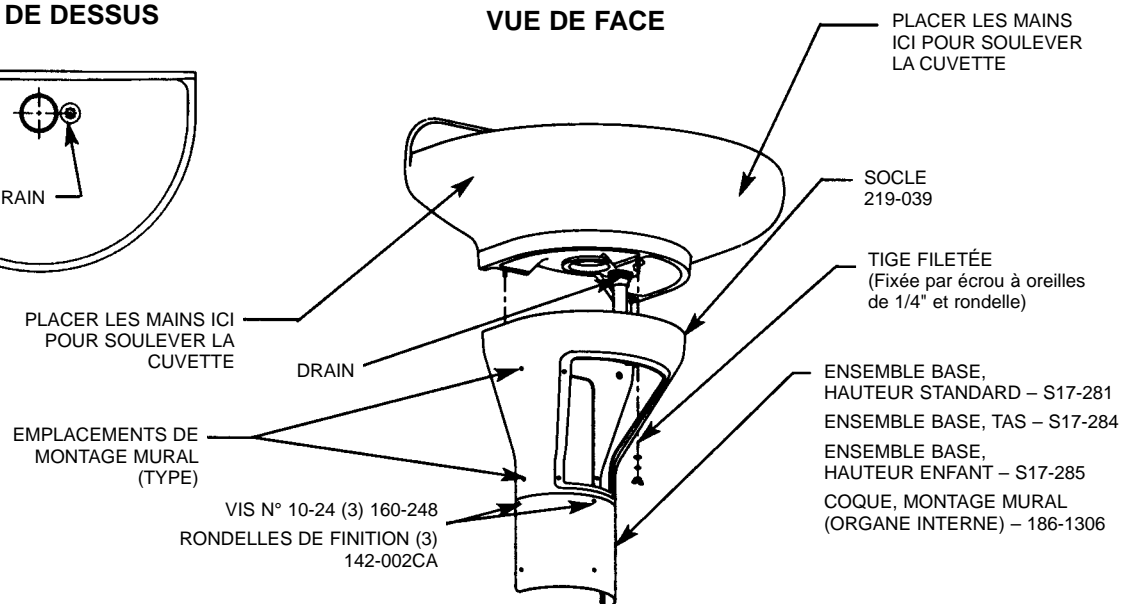


Figure 4

3 Installation de l'ergot de drain dans la cuvette

A FIXER L'ERGOT DE DRAIN À L'AIDE DU CONTRE-ÉCROU ET DES RONDELLES COMME L'INDIQUE LA FIGURE 5.

REMARQUE !

Appliquer du mastic (fourni par l'installateur) entre l'ergot de drain et l'orifice de drain.

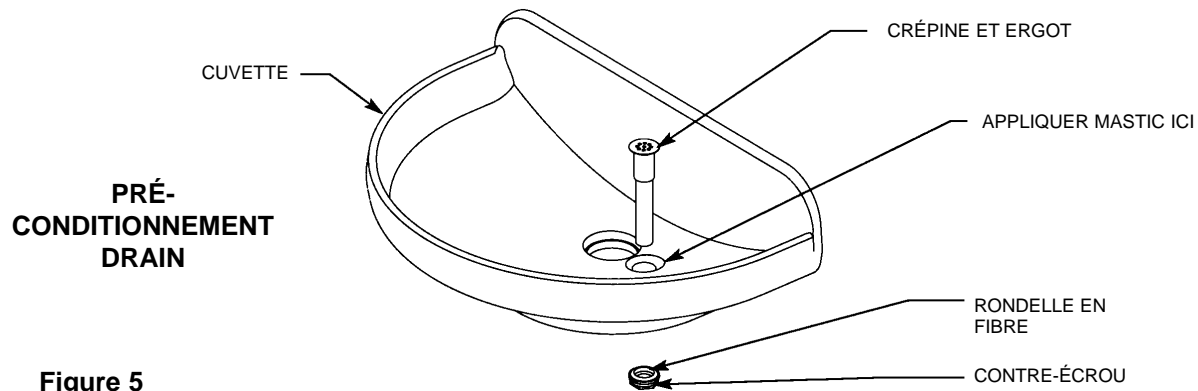


Figure 5

4 Connexion de robinet d'arrêt d'alimentation et installation de siphon en P

A À L'AIDE DU PRODUIT D'ÉTANCHÉITÉ POUR FILETAGE DE TUYAUX, FILETER LES COUDES MÂLES ET FEMELLES DE 1/2" DANS LES ARRÊTS D'ALIMENTATION D'ÉQUERRE DE 1/2" (VOIR FIGURE 9A, PAGE 35).

REMARQUE !

Rincer les conduites d'alimentation avec d'effectuer toute connexion. Ne pas utiliser de produit d'étanchéité sur les raccords de compression.

B DE NOUVEAU, À L'AIDE DU PRODUIT D'ÉTANCHÉITÉ POUR FILETAGE DE TUYAUX, FILETER LES ARRÊTS D'ALIMENTATION SUR LES TUBULURES DE RACCORDEMENT.

E DESSERRER L'ÉCROU SUR LE RACCORD. HUMIDIFIER L'EXTRÉMITÉ DU TUBE ET LE POUSSER DANS LE RACCORD JUSQU'À CE QU'IL SOIT FERMEMENT INSTALLÉ. SERRER L'ÉCROU POUR FIXER LE TUBE AU RACCORD (S'ASSURER QUE LE RACCORD EST BIEN SERRÉ).

C SUIVRE LES PROCÉDURES CI-DESSOUS ET CONSULTER LA FIGURE 6 LORS DE L'INSTALLATION DE LA TUBULURE DE 3/8" DANS LE BEC DIFFUSEUR POUR S'ASSURER D'AVOIR UNE ÉTANCHÉITÉ PARFAITE.

F SI LE CONNECTEUR FUIT, REMONTER LA TUBULURE SELON LA PROCÉDURE CI-DESSUS. SI LA FUITE PERSISTE, REMPLACER LE CONNECTEUR MÂLE OU CONTACTER LE REPRÉSENTANT BRADLEY POUR ASSISTANCE.

D À L'AIDE D'UN COUTEAU AIGUISÉ, COUPER LA TUBULURE D'ÉQUERRE ET ÉLIMINER TOUTE ÉBARBURE. NE PAS PINCER NI ÉCRASER L'EXTRÉMITÉ DE LA TUBULURE.

G CONNECTER LE SIPHON EN P (FOURNI PAR L'INSTALLATEUR) À LA PIÈCE DE RACCORDEMENT ET À LA SORTIE DU DRAIN.

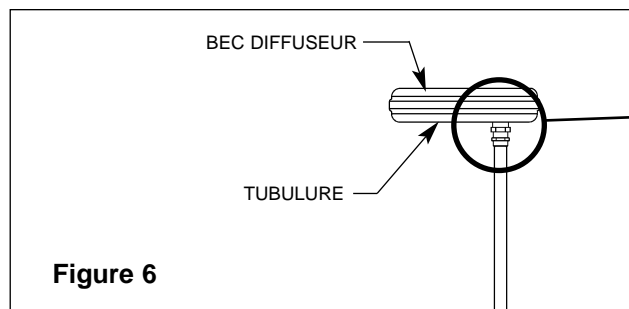
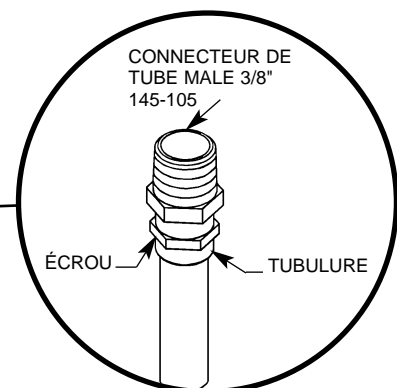


Figure 6



5 Ensemble infrarouge Adaptive pour unités à drain A et à drain O

A INSTALLER L'EXTRÉMITÉ OURLÉE (NON TRANCHANTE) DU TUBE-SUPPORT AVEC LE JOINT DANS LA CUVETTE (VOIR FIGURE 7 EN PAGE 33).

B PLACER LE BEC DIFFUSEUR AVEC LA TUBULURE DE 3/8" SUR LE TUBE-SUPPORT COMME L'INDIQUE LA FIGURE 7 EN PAGE 33. FAIRE PASSER LA TUBULURE DANS LE TUBE-SUPPORT. S'ASSURER QUE LES ORIFICES DE PULVÉRISATION SONT DIRIGÉS DANS LE SENS OPPOSÉ DU MUR.

C PLACER LE FER DE LIAISON SUPÉRIEUR (CRANTÉ AUX COINS AUX DEUX EXTRÉMITÉS) SUR LE BEC DIFFUSEUR PARALLÈLE AU MUR. CONNECTER LES DEUX TRINGLERIES FILETÉES ENSEMBLE À L'AIDE DE L'ÉCROU-RACCORD AVEC LES VIS CALANTES À TÊTE HEXAGONALE. FAIRE PASSER LA TRINGLERIE PAR LE FER DE LIAISON SUPÉRIEUR (VOIR FIGURE 7) ET FIXER DU DESSOUS DE LA CUVETTE À L'AIDE DU FER DE LIAISON INFÉRIEUR (SANS CRANS) ET DE L'ÉCROU HEXAGONAL AVEC LA VIS CALANTE À TÊTE CREUSE. UN MINIMUM DE 1-1/2" DE LA TRINGLERIE FILETÉE DOIT FAIRE SAILLIE SOUS LE FER DE LIAISON INFÉRIEUR ; CECI EST NÉCESSAIRE POUR ATTACHER LA ROBINETTERIE.

D PLACER L'ENSEMBLE DU MODULE À INFRAROUGE SUR LE BEC DIFFUSEUR. FAIRE TOURNER JUSQU'À CE QUE LE MODULE À INFRAROUGE SE BLOQUE AVEC LE FER DE LIAISON. FAIRE GLISSER DEUX FILS DU MODULE À INFRAROUGE DANS L'ENSEMBLE DU ROBINET. S'ASSURER QUE LES FENÊTRES DU MODULE À INFRAROUGE SONT DIRIGÉES VERS LE DEVANT DE L'UNITÉ.

REMARQUE ! Passer à l'étape E pour les unités sans savon.

• POUR LES UNITÉS AVEC L'OPTION SAVON, INSTALLER L'ENTRETOISE, LE DISTRIBUTEUR DE SAVON ET LE COUVERCLE À L'AIDE DE L'ÉCROU-RACCORD, DU TROISIÈME FER DE LIAISON (LONG DE 8-5/8") ET DU SECOND ÉCROU-RACCORD COMME IL L'EST INDICÉ (VOIR FIGURE 8 EN PAGE 34). FIXER AVEC LE SUPPORT DE RETENUE DU BEC DIFFUSEUR, L'ÉCROU BORGNE ET LA VIS À TÊTE CREUSE.

E FIXER LE COUVERCLE DU MODULE À INFRAROUGE ET LE COUVERCLE SUPÉRIEUR À L'AIDE DE L'ÉCROU BORGNE ET DE LA VIS CALANTE À TÊTE CREUSE.

F TOUT EN MAINTENANT L'ENSEMBLE DE ROBINET À L'EXTÉRIEUR DU SOCLE, CONNECTER LA TUBULURE DE 3/8" DU BEC DIFFUSEUR AU CONNECTEUR DE TUBE DE L'ENSEMBLE DE ROBINET (VOIR FIGURE 9A EN PAGE 35).

G FILETER UN ÉCROU FOURNI DE 3/8" SUR LA TRINGLERIE. FAIRE GLISSER L'ENSEMBLE DE ROBINET ENSUITE ET FIXER AVEC UN AUTRE ÉCROU DE 3/8". VOIR FIGURE 9A.
POUR UNITÉ A : CONNECTER LES LIGNES D'ALIMENTATION AUX ROBINETS D'ARRÊT À L'AIDE DE RACCORDS ADÉQUATS.
POUR UNITÉ O : INSTALLER DES CONDUITES D'ALIMENTATION EN TUBULURE DE CUIVRE DE 1/2" NOMINAL (EN LES FAISANT PASSER PAR LES TROUS DANS LE COUVERCLE À TRAVERS LA COLONNE-SUPPORT) ET CONNECTER AUX ROBINETS D'ARRÊT À L'AIDE DE RACCORDS ADÉQUATS.

6 Connexions électriques pour infrarouge Adaptive

REMARQUE CONCERNANT LA MISE EN MARCHÉ : Ne pas utiliser pendant deux minutes après avoir effectué les connexions électriques. Il faudra huit minutes maximum pour que les détecteurs (sans être utilisés) s'adaptent à la cuvette si un autre objet est détecté durant la période de mise en marche de deux minutes.

A ATTACHER LE FIL DE CONNEXION FEMELLE INFRAROUGE DU MODULE INFRAROUGE AU SOLÉNOÏDE COMME L'INDIQUE LA FIGURE 9B EN PAGE 35.

B ATTACHER LE FIL DE CONNEXION MÂLE INFRAROUGE DU MODULE INFRAROUGE AU FIL DU TRANSFORMATEUR.

C ATTACHER L'AUTRE FIL DU TRANSFORMATEUR AU SOLÉNOÏDE.

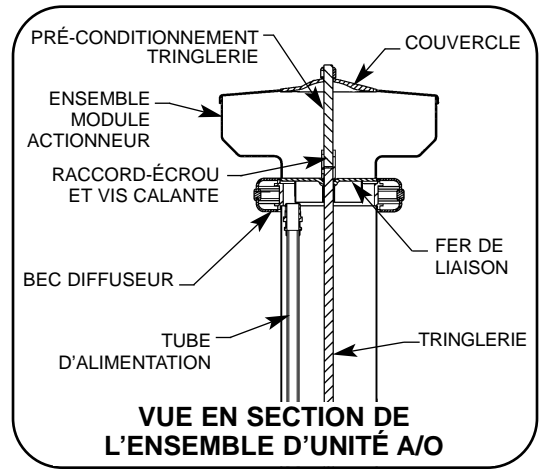
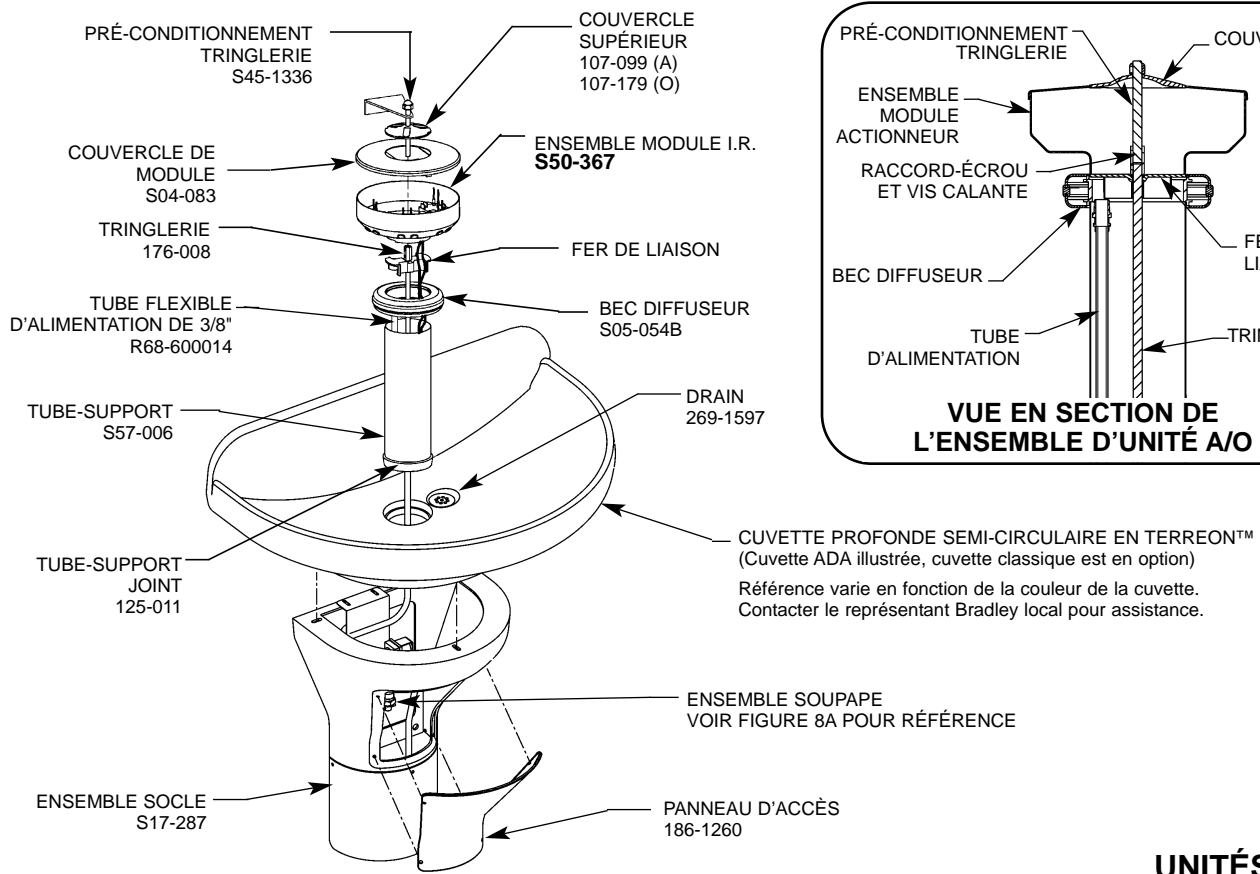
D CONNECTER LE TRANSFORMATEUR DE 24 V C.A. FOURNI À LA SOURCE D'ALIMENTATION.

E OUVRIR LES CONDUITES D'ALIMENTATION. OUVRIR COMPLÈTEMENT LA ROBINETTERIE NON-RETOUR/ARRÊT.

F OUVRIR COMPLÈTEMENT LA SOUPAPE RÉGULATRICE DE DÉBIT ET VÉRIFIER L'INSTALLATION DES TUBULURES POUR TOUTE FUITE ÉVENTUELLE.

G PASSER LA MAIN DEVANT CHAQUE DÉTECTEUR JUSQU'À CE QUE L'AIR SOIT PURGÉ DES CONDUITES.

Instructions relatives à l'installation *suite . . .*



UNITÉS A/O
(A illustrée)

Figure 7

Instructions relatives à l'installation *suite* . . .

Instructions sur l'installation de savon en option

UNITÉ AVEC DRAIN « A » ET MODULE I.R. ILLUSTRÉE,
ÉGALEMENT DISPONIBLE AVEC DRAIN « O »

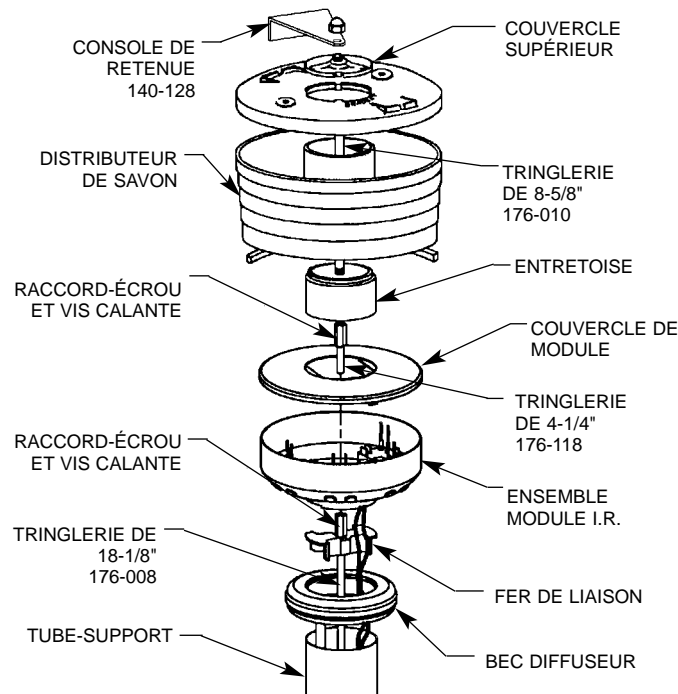


Figure 8

Instructions relatives à l'installation suite . . .

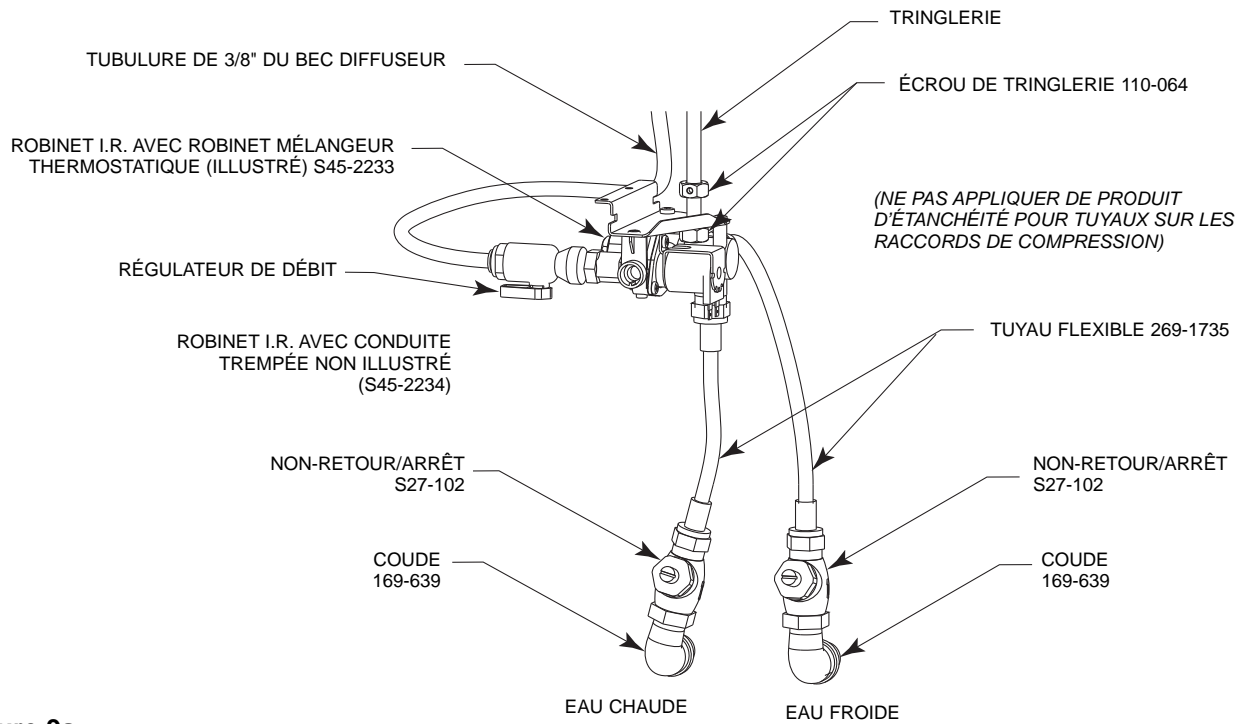


Figure 9a

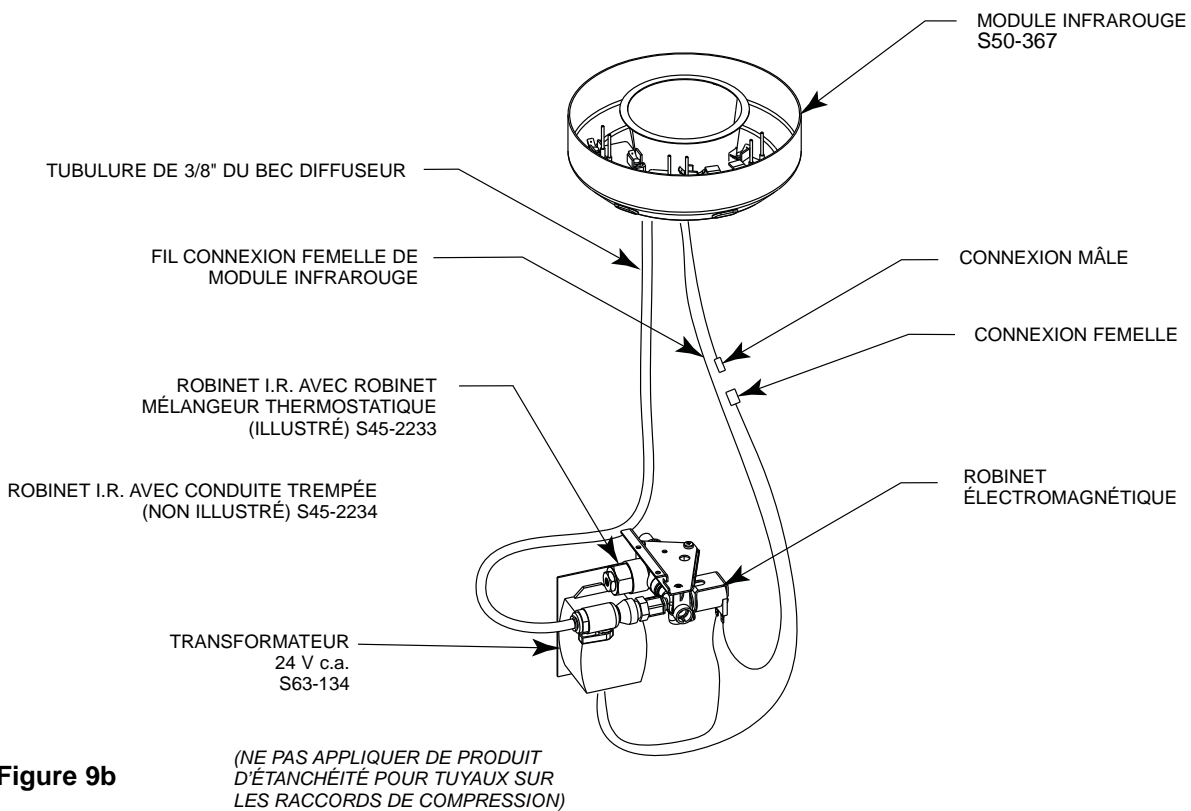


Figure 9b

Instructions de réglage Vernatherm



REMARQUE : Le robinet Vernatherm TMA N'est PAS pré-réglé en usine. Lors de l'installation, la température de ce robinet doit être vérifiée et ajustée pour assurer une température d'eau sans danger. *Une température d'eau supérieure à 43 °C (110 °F) risque de provoquer un échaudage.*

A VÉRIFIER LA TEMPÉRATURE ET AJUSTER LE CAS ÉCHÉANT (LA PLAGE DU ROBINET VA DE 35 °C À 43 °C (95 °F À 115 °F). POUR AJUSTER LA TEMPÉRATURE, SUIVRE LA PROCÉDURE CI-DESSOUS :

- DESSERRER LE CONTRE-ÉCROU DE TEMPÉRATURE AVEC UNE CLÉ.

- À L'AIDE D'UN TOURNEVIS À LAME, FAIRE TOURNER LA TIGE DE RÉGLAGE DANS LE SENS CONTRAIRE DES AIGUILLES D'UNE MONTRE POUR AUGMENTER LA TEMPÉRATURE OU DANS LE SENS DES AIGUILLES D'UNE MONTRE POUR DIMINUER LA TEMPÉRATURE (FIGURE 10).

- UNE FOIS LA TEMPÉRATURE DÉSIRÉE OBTENUE, SERRER L'ÉCROU POUR EMPÊCHER LE CHANGEMENT DE TEMPÉRATURE.

B NETTOYER LE BEC DIFFUSEUR LE CAS ÉCHÉANT. VOIR LA PAGE 42 POUR L'ENTRETIEN ET LES PIÈCES DE RÉPARATION DU BEC DIFFUSEUR. AJUSTER LA SOUPAPE DE RÉGULATION DE DÉBIT, SI BESOIN EST, POUR CONTRÔLER LE DÉBIT D'EAU.

C ATTACHER LE PANNEAU D'ACCÈS AU SOCLE AVEC LA QUINCAILLERIE FOURNIE.

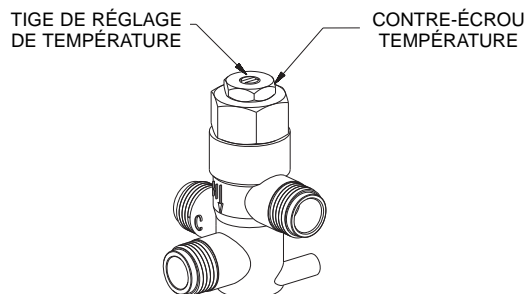


Figure 10

Instructions de nettoyage/d'entretien pour Terreon®

Description du matériau : Terreon® est un matériau de surface massif densifié certifié NAHB composé de résine de polyester et résistant aux produits chimiques, aux taches, aux brûlures et à l'impact. Les dommages de surface peuvent être facilement réparés à l'aide de produits nettoyants ordinaires ou d'abrasifs à grains fins.

Nettoyage de routine : Nettoyer tous les jours ou aussi souvent que les conditions l'exigent à l'aide d'un nettoyant ménager ou commercial standard tel que Formula 409® ou Windex®.

Taches incrustées : Éliminer les taches incrustées avec Ajax®, Comet® ou Soft-Scrub® et un tampon vert Scotch-Brite® ou poncer légèrement d'un mouvement circulaire avec du papier de verre mouillé/sec 240 grains. Le fini peut être renouvelé avec un tampon bordeaux Scotch-Brite.

Situations spéciales de matériau

Rayures : Retirer les rayures avec un tampon vert Scotch-Brite®. Le fini peut être renouvelé avec un tampon bordeaux Scotch-Brite®.

Dépôts d'eau dure : Retirer les dépôts d'eau dure avec une solution douce d'eau et de vinaigre. Toujours rincer l'unité à fond après tout nettoyage.

Restauration de la surface : Utiliser le nettoyant pour surfaces massives Hope's® et polir pour rafraîchir et protéger le matériau de surface massive Terreon. Bradley recommande des soins et un entretien supplémentaires pour le Terreon de couleur plus foncée, pour des instructions complètes sur cet entretien additionnel, consulter le document Bradley n° 1505.



IMPORTANT : NE PAS UTILISER DE PRODUITS CHIMIQUES OU DE NETTOYANTS ACIDES FORTS OU ALCALINS POUR NETTOYER LE TERREON. SI CES PRODUITS CHIMIQUES ENTRAIENT EN CONTACT AVEC LA SURFACE EN TERREON, LES ESSUYER IMMÉDIATEMENT ET RINCER À L'EAU SAVONNEUSE. ÉVITER TOUT CONTACT AVEC DES PRODUITS CHIMIQUES DURS TELS QUE DU DÉCAPANT, DE L'EAU DE JAVEL, DE L'ACÉTONE, ETC. ÉVITER TOUT CONTACT AVEC DES CASSEROLES ET DES OBJETS CHAUDS.

Kits de réparation : Des kits de réparation Terreon® sont disponibles. Contacter le représentant ou le distributeur Bradley pour obtenir des références et des prix.

REMARQUE : Les kits de réparation sont faits sur commande et ont une durée de validité de 30 jours.

Marques commerciales : L'utilisation de marques commerciales n'est destinée qu'à indiquer un type de nettoyant. Ceci ne constitue aucunement un témoignage publicitaire de même que toute omission d'un nettoyant d'une marque commerciale quelconque n'implique son inefficacité. De nombreux produits sont distribués par région et peuvent se trouver dans les supermarchés locaux, grands magasins et quincailleries, ou par le biais d'un service de nettoyage. Il est à souligner que tous les produits doivent être utilisés en stricte conformité avec les instructions figurant sur l'emballage.

Instructions pour le nettoyage/l'entretien de fibre de verre à enduit gélifié

Description du matériau : Les lavabos fontaines en Terreon® mentionnés dans ce manuel d'installation utilisent un socle en fibre de verre à enduit gélifié.

Nettoyage de routine : Le socle à enduit gélifié doit être nettoyé tous les jours ou aussi souvent qu'il le faut avec une solution douce de détergent et d'eau. Utiliser toujours un chiffon doux pour éviter d'endommager le fini.

Kits de réparation : Il n'y a pas de kits de réparation disponibles pour les matériaux en fibre de verre. Toutefois, des pièces de rechange sont disponibles, contacter le représentant Bradley pour obtenir des prix et des références.



IMPORTANT : NE PAS EXPOSER LA FIBRE DE VERRE À ENDUIT GÉLIFIÉ AUX SOLVANTS CAR ILS ENDOMMAGERONT LE MATÉRIAU ET RISQUENT DE CRÉER DES VAPEURS NOCIVES.

Marques commerciales : L'utilisation de marques commerciales n'est destinée qu'à indiquer un type de nettoyant. Ceci ne constitue aucunement un témoignage publicitaire de même que toute omission d'un nettoyant d'une marque commerciale quelconque n'implique son inefficacité. De nombreux produits sont distribués par région et peuvent se trouver dans les supermarchés locaux, grands magasins et quincailleries, ou par le biais d'un service de nettoyage. Il est à souligner que tous les produits doivent être utilisés en stricte conformité avec les instructions figurant sur l'emballage.

Instructions concernant le nettoyage et l'entretien de l'acier inoxydable

Description du matériau : L'acier inoxydable est extrêmement durable, et son entretien est simple et peu onéreux. Il est essentiel de l'entretenir correctement, particulièrement dans des conditions corrosives. Toujours commencer par la solution la plus simple et continuer par une solution plus compliquée.

Nettoyage de routine : Une fois par jour, ou aussi souvent qu'il le faut, utiliser une solution d'eau chaude avec du savon, du détergent ou de l'ammoniac. Appliquer la solution de nettoyage conformément aux instructions du fabricant ; toujours utiliser un chiffon doux ou une éponge afin de ne pas endommager le fini.

Taches incrustées : Pour éliminer des taches de l'acier inoxydable, utiliser un produit nettoyant pour acier inoxydable ou un produit à polir tel que le nettoyant pour acier inoxydable Ball® ou un abrasif doux. Toujours suivre les instructions du fabricant et appliquer dans le même sens que les lignes du vernis.



IMPORTANT : NE JAMAIS UTILISER DE PAILLE DE FER OU DE BROSSE DE MÉTAL ORDINAIRE SUR DE L'ACIER INOXYDABLE. TOUJOURS UTILISER DE LA PAILLE D'ACIER INOXYDABLE OU DES BROSSES POUR ACIER INOXYDABLE.

Situations spéciales de matériau

Empreintes et taches : Pour éliminer les empreintes ou taches, utiliser un nettoyant pour acier inoxydable de haute qualité et polir conformément aux instructions du fabricant. De nombreux produits de ce genre laissent un film protecteur empêchant toute tache ou empreinte future.

Graisse et huile : Pour éliminer la graisse ou l'huile, utiliser un détergent ou un nettoyant caustique commercial de qualité. Appliquer conformément aux instructions du fabricant et dans le sens des lignes du vernis.

Précautions : Éviter tout contact prolongé avec : chlorures (agents de blanchiment, sels), bromures (agents d'assainissement), thiocyanates (pesticides, produits chimiques pour photographie et certains aliments) et iodures sur l'équipement en acier inoxydable, notamment en présence de conditions acides.



IMPORTANT : NE PAS LAISSER LES SOLUTIONS SALÉES S'ÉVAPORER ET SÉCHER SUR DE L'ACIER INOXYDABLE.

L'aspect de traînées de rouille sur l'acier inoxydable donne à croire que l'acier inoxydable rouille. Rechercher la source réelle de la rouille dans ces particules de fer ou d'acier susceptibles d'être en contact avec la structure en acier inoxydable mais sans en faire réellement partie.

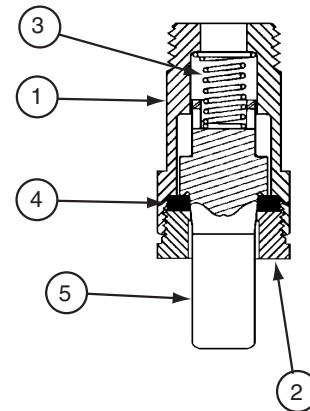
REMARQUE : Des produits nettoyants fortement acides ou caustiques peuvent attaquer l'acier entraînant l'apparition d'un film rougeâtre. Éviter d'utiliser ces nettoyants.

Marques commerciales : L'utilisation de marques commerciales n'est destinée qu'à indiquer un type de nettoyant. Ceci ne constitue aucunement un témoignage publicitaire de même que toute omission d'un nettoyant d'une marque commerciale quelconque n'implique son inefficacité. De nombreux produits sont distribués par région et peuvent se trouver dans les supermarchés locaux, grands magasins et quincailleries, ou par le biais d'un service de nettoyage. Il est à souligner que tous les produits doivent être utilisés en stricte conformité avec les instructions figurant sur l'emballage.

Bouton-poussoir de savon — liquide — S09-007S

Nomenclature

Repère	Référence	Désignation	Pièces de fixation S09-007S	
			Qté	
1	118-025	Corps de bouton-poussoir	1	
2	110-007	Écrou de presse-garniture	1	
3	135-001L	Ressort	1	
4	125-001BU	Rondelle	1	
5	119-028	Piston	1	
*	161-014	Écrou	1	
*	124-001D	Rondelle	2	
*	142-002AH	Rondelle - Acier inoxydable	1	



* Non illustré

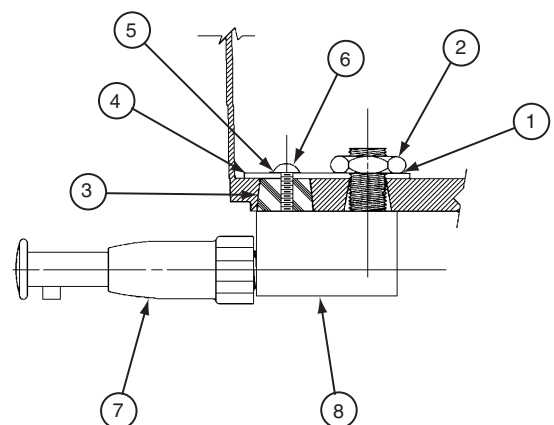
Ce bouton-poussoir distribue une quantité dosée de savon avec chaque mouvement ascendant. Le distributeur de savon est standard sur les lavabos fontaines depuis 1983 et ne convient pas bien aux lotions savonneuses très épaisses.

REMARQUE : La lotion savonneuse colmatera les boutons-poussoirs de savon liquide. Utiliser uniquement des boutons-poussoirs de lotion savonneuse avec de la lotion savonneuse.

Bouton-poussoir de lotion — savonneuse — S09-057S

Nomenclature

Repère	Référence	Désignation	Ensemble de bouton-poussoir S09-057		Pièces de fixation S09-057S	
			Qté			
1	124-001D	Rondelle	—	—	1	1
2	110-057	Écrou	—	—	1	1
3	159-114	Robinet d'arrêt	—	—	1	1
4	159-114	Plaque de renfort	—	—	1	1
5	124-001AT	Rondelle	—	—	1	1
6	160-176	Vis	—	—	1	1
7	S09-040	Bouton-poussoir	1	1	1	1
8	S53-045	Adaptateur	1	1	1	1



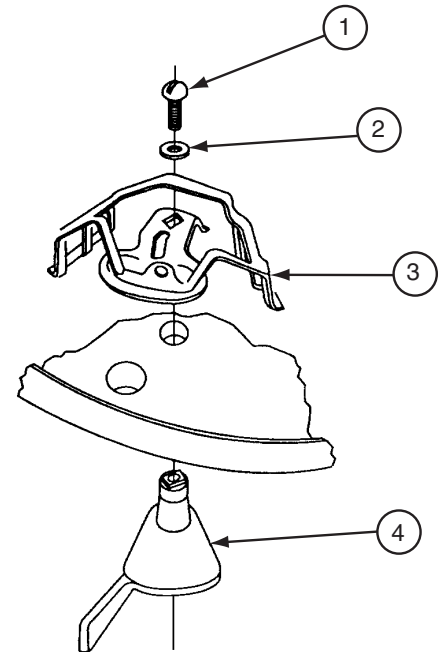
Bouton-poussoir de savon — en poudre — S09-010A

Nomenclature

Repère	Référence	Qté	Désignation
1	160-069	1	Vis, 1/4-20 RD
2	142-002X	1	Rondelle, 1/4 Split-Lock
3	S62-002	1	Ensemble agitateur/coulisse
4	192-004	1	Levier - Savon en poudre

REMARQUE : Des bouchons réducteurs sont disponibles pour utiliser avec du savon granulé fin pour diminuer le débit.

REMARQUE : Pour changer les boutons-poussoirs de savon en poudre à savon liquide, boucher l'orifice le plus à l'intérieur ou « portant » avec le bouchon en caoutchouc, référence 125-001AK. Pour changer de savon liquide à savon en poudre, il faut enlever le bouchon. S'il n'y en a pas, il sera nécessaire de percer le trou portant avec une mèche de 1/2" ou 5/8". La configuration du conteneur en plastique forme un gabarit naturel pour repérer le trou portant.



Conseils d'entretien pour le savon

RECOMMANDATIONS DE SAVON

Les distributeurs de savon de qualité nécessitent du savon de bonne qualité et un entretien périodique pour fonctionner correctement. Les distributeurs de savon Bradley fonctionnent de manière fiable et constante à long terme à condition d'utiliser un savon ayant une viscosité et des niveaux de pH raisonnables et d'effectuer un minimum d'entretien périodique sur les boutons-poussoirs.

L'épaisseur du savon est déterminée par une mesure appelée viscosité. La viscosité du savon doit se trouver entre 100 cps (centipoise) et 2 500 cps pour tous les distributeurs de savon Bradley. Les savons moins épais étant perçus par les utilisateurs comme étant « dilués », ces derniers ont généralement tendance à en utiliser plus qu'ils n'en ont besoin, et donc à faire du gaspillage. Les savons épais s'écouleront plus lentement et bloqueront l'action de « rinçage » des boutons-poussoirs, ce qui permet au savon de se figer dans le bouton-poussoir et de provoquer des colmatages.

Le niveau pH (acide) du savon doit se trouver dans la fourchette de 6,5 à 8,5. Les savons plus acides (niveaux pH inférieurs à 6,5) provoqueront la corrosion des pièces métalliques (même en acier inoxydable !!) et la détérioration des composants en caoutchouc et en plastique. Ce qui entraînera également une irritation cutanée. Dans la plupart des cas, les savons bon marché (généralement du type de lotion rose) tombent dans cette catégorie acide et provoqueront éventuellement la défaillance du bouton-poussoir et la corrosion du métal. Les savons de base (niveaux de pH supérieurs à 8,5) provoqueront un gonflement ou une dégradation des pièces en caoutchouc et en plastique, et une irritation cutanée.

Généralement, tout savon de qualité correspondant aux normes de viscosité et de pH ci-dessus fonctionnera bien avec les distributeurs de savon Bradley. Les savons antibactériens à base de PCMX ou d'Isapropanol (dans les limites de viscosité et de pH) fonctionneront également bien avec les distributeurs Bradley. Les savons répondant à ces normes fondamentales procureront un débit constant et réduiront la formation de colmatage.

Les problèmes de distributeurs de savon sont, pour la plupart, provoqués par du savon trop épais ou corrosif, ou par un manque d'entretien. De nombreux savons existent en forme concentrée qui doivent être dilués à l'eau. Souvent, le savon est mal dilué ou utilisé directement du flacon, ce qui provoquera un colmatage et une défaillance du bouton-poussoir. Si on utilise le savon approprié, les boutons-poussoirs qui n'ont jamais été nettoyés sont généralement la source des problèmes de distribution. Bradley a conclu un accord avec Champion Brand Products et ce, afin de fournir un service supplémentaire à la clientèle, concernant les questions de savons, pour les acheteurs de nos distributeurs. Cette société est particulièrement obligeante et peut résoudre quasiment tous les problèmes liés au distributeur de savon. Elle vend également un excellent savon « homologué Bradley ». Se reporter à la **Fiche d'instructions relatives au savon 215-1286** pour tout détail sur le nettoyage du bouton-poussoir de savon ou sur la façon de contacter Champion. Grâce à un bon entretien et un savon adéquat, les distributeurs Bradley fonctionneront longtemps et sans problème.

INSTRUCTIONS RELATIVES À L'ENTRETIEN DU DISTRIBUTEUR DE SAVON

Les distributeurs de savon Bradley fonctionnent de manière fiable et constante à long terme à condition d'utiliser le savon adéquat et d'effectuer un minimum d'entretien périodique sur les boutons-poussoirs. Entretien (nettoyer) les boutons-poussoirs pour un fonctionnement adéquat.

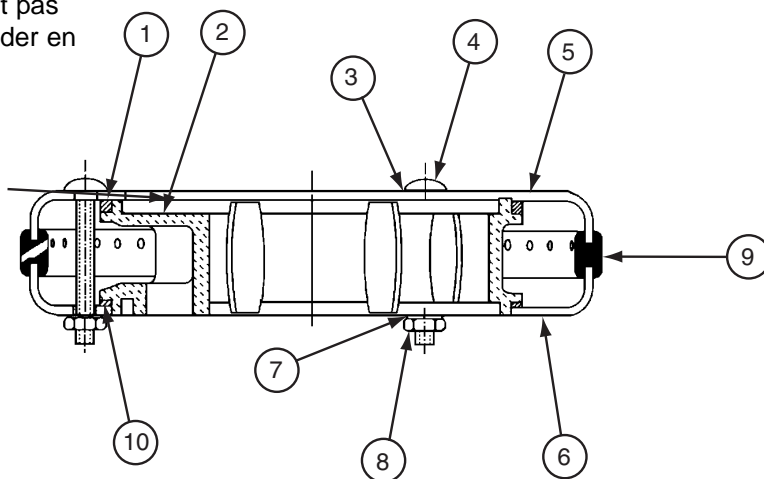
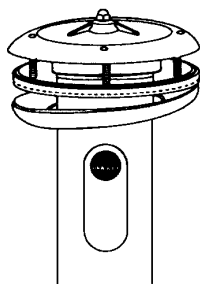
Pour assurer un fonctionnement adéquat du distributeur de savon, suivre ces instructions :

- Une fois par mois, dévisser le bouton-poussoir du réservoir et le faire tremper dans de l'eau chaude pendant 30 minutes.
- Appuyer sur le bouton-poussoir au moins 20 fois pendant qu'il trempe.
- Rincer le réservoir de savon à l'eau chaude pendant que le bouton-poussoir trempe.

En cas de colmatage extrême, démonter le bouton-poussoir et faire tremper les pièces dans de l'eau chaude ou une solution de nettoyage pour restaurer un fonctionnement adéquat. Les distributeurs de savon qui ne seront pas utilisés pendant des périodes prolongées (écoles durant les vacances d'été, etc.) doivent être vidés, nettoyés et laissés vides jusqu'à leur remise en service. Tout savon laissé sur l'extérieur des distributeurs peut entraîner une décoloration et une corrosion du réservoir (même sur des unités en acier inoxydable). Tout savon doit être essuyé ou frotté tous les jours et l'extérieur du distributeur doit être rincé à l'eau claire et essuyé avec un chiffon doux.

Becs diffuseurs — Standard avec anneau de pulvérisation en néoprène

REMARQUE : Le kit de réparation n'inclut pas l'anneau du bec. Commander en article séparé.



Nomenclature

Repère	Référence	Désignation	Ensemble bec diffuseur S05-054B	Kit de réparation S45-051
			Qté	
1	125-001DE	Rondelle en Néoprène - Haut	1	1
2	139-031	Collecteur de bec diffuseur	1	—
3	124-001AL	Rondelle	3	4
4	160-211	Boulon mécanique	3	4
5	115-061	Haut de bec diffuseur	1	—
6	116-008	Bas de bec diffuseur	1	—
7	124-001AT	Rondelle	3	4
8	161-025	Écrou	3	4
9	124-020D	Anneau de bec diffuseur - Semi-circulaire	1	—
10	125-001DF	Rondelle en Néoprène - Bas	1	1

Suggestions pour réparer le bec diffuseur

Problème : L'eau éclabousse tout autour du bord de la cuvette.

Cause : Des corps étrangers ont réduit la taille des fentes du bec diffuseur, entraînant ainsi une plus grande pression au niveau des fentes ouvertes.

Solution : Nettoyer le bec diffuseur :

- Démonter le bec diffuseur et déloger toute saleté, tout dépôt de calcaire et tout corps étranger à l'aide d'une brosse métallique.
- Pour nettoyer les becs diffuseurs munis d'anneaux pulvérisateurs en caoutchouc, frotter une pièce de monnaie sur l'anneau.
- Réduire la régulation de débit (le jet d'eau doit frapper la cuvette sans éclabousser à l'extérieur de la cuvette).

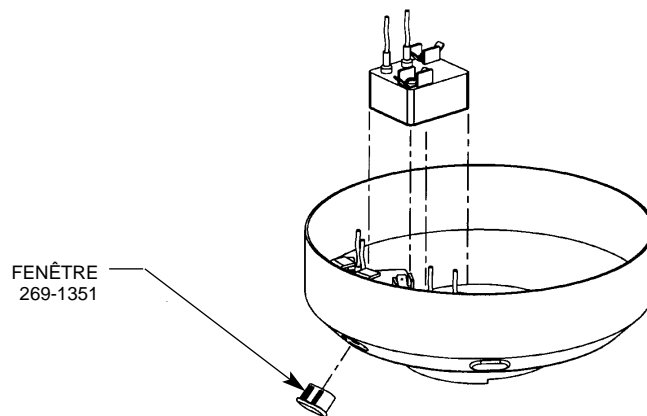
Problème : L'écoulement d'eau diminue à partir du bec diffuseur.

Cause : La portion crépine de la robinetterie d'arrêt-crèpine-non-retour est colmatée.

Solution : Retirer et nettoyer le tamis de la crépine de la robinetterie arrêt-crèpine-non-retour.

REMARQUE : Le bec diffuseur illustré ci-dessous inclut un anneau de pulvérisation en néoprène perforé autonettoyant. La pression d'eau assouplit les orifices de pulvérisation, ce qui ralentit l'accumulation de corps étrangers et a tendance à « décoller » lesdits dépôts qui ont pu s'accumuler.

Composants de l'ensemble de module I.R. S50-367



Actionneur IR

Dépannage IR Adaptive

Il y a un voyant DEL de diagnostic incorporé dans le petit boîtier noir abritant les circuits du détecteur. En dessous se trouve une liste des significations des signaux de la DEL. Utiliser cette liste pour dépanner le détecteur.

1. DEL non allumée — aucune alimentation n'arrive au détecteur. Vérifier l'alimentation au niveau de la prise murale de 110 V c.a. et des fils provenant du transformateur 24 V c.a. S'il y a une alimentation de 110 V c.a. au niveau de la prise murale mais pas d'alimentation du transformateur, le contact des fils du transformateur en étant branché ou une saute de puissance risque d'avoir grillé le transformateur. Ajouter une protection de surtension au niveau de la prise si on soupçonne une saute de puissance et remplacer le transformateur. Si l'alimentation 24 V c.a. est fournie du transformateur, vérifier qu'il n'existe pas de connexions de fils desserrées et vérifier les connexions en les comparant au schéma de câblage (voir la Figure 9b).
2. Clignotement rapide — Le détecteur détecte quelque chose dans son champ de vision et l'eau devrait être allumée (alimentation envoyée au solénoïde). Si le détecteur clignote rapidement, l'eau est allumée et il n'y a rien dans la zone de détection, déconnecter l'alimentation pendant au moins 30 secondes. Ceci permettra au détecteur de libérer sa mémoire et d'être réinitialisé. Reconnecter l'alimentation et attendre 2 minutes complètes pour permettre au détecteur de réapprendre l'environnement avant d'essayer d'activer. Le détecteur peut prendre jusqu'à 8 minutes pour rajuster s'il est activé pendant ces 2 minutes. Si la condition persiste, s'assurer que les DEL aux extrémités des câbles du détecteur sont complètement enfoncées dans les arrières de verres. Si le détecteur clignote rapidement et que l'eau n'est pas allumée, consulter le guide de dépannage pour le solénoïde.
3. Clignotement lent — Le détecteur détecte quelque chose dans son champ de vision et l'eau est coupée (alimentation non envoyée au solénoïde). Le détecteur a détecté un objet stationnaire dans son champ de vision pendant plus de 30 secondes et a coupé toute alimentation au robinet électromagnétique. Retirer l'objet, s'il se trouve toujours dans la cuvette, et répéter la partie de l'étape 2 pour réinitialiser le détecteur.
4. Clignotement SOS (3 courts, 3 longs, 3 courts) — Le détecteur a détecté une condition de surcharge et s'est arrêté pour protéger ses circuits. Vérifier les connexions en les comparant au schéma de câblage. Cette condition signifie en général que le robinet électromagnétique n'est pas câblé correctement. Après avoir corrigé toute erreur de câblage, il faut redémarrer le détecteur en répétant la partie de l'étape 2 pour réinitialiser le détecteur.

Pour toute autre assistance, appeler le représentant Bradley local. Appeler le 1-800-Bradley pour obtenir le nom et le numéro de téléphone du représentant Bradley local.

Guide de dépannage du robinet électromagnétique



ATTENTION : Couper l'alimentation en eau à l'unité avant d'effectuer toute réparation.

Problème : Une station opérationnelle individuelle ne se ferme pas et goutte.
Cause : Il y a des débris piégés entre la membrane et le siège du bouton-poussoir.
Solution : Retirer les débris entre la membrane et le siège du bouton-poussoir.

1. Retirer les trois vis cruciformes n° 8 qui maintiennent l'assemblage de bouton-poussoir électromagnétique ensemble. Faire attention de ne pas perdre l'armature ou le ressort (voir Figure 11 à la page 45).
2. Retirer la membrane. Retirer toute particule qui aura pu être piégée entre la membrane et le siège du bouton-poussoir. Rincer la membrane et inspecter tout dommage éventuel. S'assurer que l'orifice central et que les deux petits orifices latéraux sont ouverts.
3. Remonter dans l'ordre inverse en faisant attention de ne pas trop serrer les vis à tête cruciforme et ce, afin de ne pas fissurer le corps de soupape en plastique. Serrer jusqu'à ce que la plaque d'armature soit en contact avec le corps en plastique.
4. Reconnecter le câblage selon le schéma à la page 35.

Problème : Une station opérationnelle individuelle ne se met pas en marche.
Cause : Une bobine défectueuse pour le bouton-poussoir ou une connexion électrique desserrée à la borne.
Solution : Tester la station pour déterminer la cause.

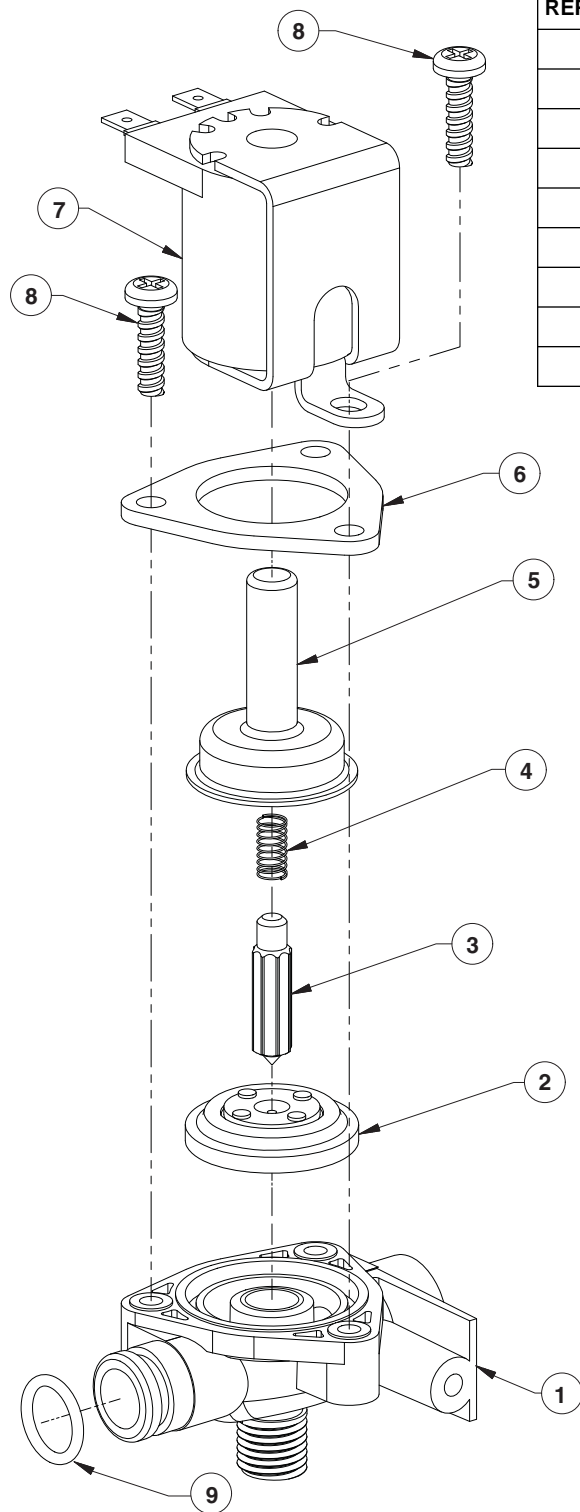
1. Déconnecter les fils de la bobine d'un bouton-poussoir adjacent. Déconnecter les fils du bouton-poussoir problématique et reconnecter au bouton-poussoir adjacent.
2. Mettre en marche les alimentations en électricité et en eau à l'unité. Passer la main devant le détecteur de la station problématique et la station adjacente devrait se mettre en marche.

Si la station adjacente se met en marche et cycle normalement, remplacer la bobine sur le bouton-poussoir problématique.

Si le bouton-poussoir adjacent ne se met pas en marche, inspecter les fils venant du câble de détecteur et procéder comme suit :

- s'assurer qu'il n'y a pas de cassures et que les bornes de déconnexion complètement isolées sont fermement serties en place ;
- couper les alimentations en électricité et en eau ;
- reconnecter au bouton-poussoir adjacent et ouvrir l'alimentation en eau à l'unité ;
- passer la main devant le détecteur. Si la station ne se met toujours pas en marche, remplacer le détecteur.

Robinet électromagnétique S07-069 (corps fermé)



REPÈRE	QTÉ	RÉFÉRENCE	DÉSIGNATION
1	1	118-308	CORPS DE ROBINET, 5/16" FERMÉ
2	1	269-983	MEMBRANE
3	1	269-577	ARMATURE
4	1	269-578	RESSORT
5	1	269-1729	BOITIER ARMATURE
6	1	269-1730	BRIDE, BOITIER ARMATURE
7	1	269-579	BOBINE, ROBINET ÉLECTROMAGNÉTIQUE
8	3	160-447	VIS, N° 8 X 5/8
9	1	125-165	JOINT TORIQUE, N° 2-013

Figure 11

Dépannage du robinet mélangeur thermostatique

REMARQUE : Avant d'essayer de dépanner le robinet ou de démonter les composants, vérifier les conditions suivantes :

- Si la robinetterie arrêt/non-retour est utilisée, s'assurer qu'elle soit complètement ouverte.
- S'assurer que les canalisations d'arrivée chaude et froide sont correctement raccordées et qu'il n'existe ni de raccordements croisés ni de fuite de robinetterie arrêt/non-retour.
- Vérifier la sortie du chauffage d'eau chaude pour s'assurer qu'elle se trouve au moins à -6,7 °C (20 °F) au-dessus de la température réglée.

S'assurer de fermer les robinets d'arrêt adéquats avant de démonter le robinet et de les rouvrir après inspection et une fois la réparation terminée.

Problème : Débit d'eau limité

Cause : Saleté et débris se sont accumulés dans le robinet ou la crépine.

1. Retirer et nettoyer la crépine (voir Figure 12 ou 13 en page 47). Si la crépine doit être remplacée, commander la référence Bradley 173-028.
2. Vérifier le mouvement uniforme du piston.

Pour vérifier le mouvement libre et uniforme du piston du robinet, suivre les procédures soulignées ci-dessous :

1. Retirer le capuchon du robinet et le thermostat (voir la Figure 12 en page 47).
2. Appuyer sur le piston du doigt (le piston devrait se déplacer librement). Si le mouvement n'est pas comme il devrait, le piston doit être nettoyé. Suivre la méthode soulignée ci-dessous pour nettoyer le piston et le corps de robinet :
 - Retirer le thermostat.
 - Soulever le piston avec une pince à becs fins et retirer le ressort.
 - Tout nettoyant adéquat pour laiton et acier inoxydable peut être utilisé (si le nettoyage avec un nettoyant adéquat ne suffit pas à retirer les débris, du papier de verre de 400 grains peut être utilisé pour polir et affiler le piston et le corps de robinet).
 - Enclencher le ressort dans le piston (qui se détendra) et remonter dans le corps du robinet. Tester à nouveau le piston.
3. Si, après un nettoyage approfondi, le piston ne se déplace pas librement, il faut le remplacer. Contacter le représentant Bradley et lui demander un Kit de réparation (référence S65-259).

Problème : Fuites externes dans le système

Cause : Les joints toriques ont été endommagés.

Solution : Remplacer les joints toriques le cas échéant. Pour tout remplacement de joints toriques, contacter le représentant Bradley et lui demander un Kit de réparation (référence S65-259).

Problème : Température d'eau inadéquate ou fluctuation de température

Cause : Le thermostat est en train de devenir défectueux ou ne fonctionne pas du tout.

Solution : Vérifier le bon fonctionnement du thermostat.

1. À température ambiante (26,7 °C [80 °F] ou moins), retirer le capuchon et le thermostat.
2. Placer le thermostat dans le conteneur avec de l'eau à 46 °C [115 °F]. Le poussoir doit sortir du thermostat approximativement de 1/10".
3. Si le poussoir du thermostat ne sort pas, il faut remplacer le thermostat. Contacter le représentant Bradley et lui demander un Kit de réparation (référence S65-259).

Cause : La température du robinet n'est pas réglée correctement.

*Solution : Ajuster la température. À l'aide d'un tournevis à lame, faire tourner la tige de réglage **dans le sens contraire des aiguilles d'une montre** pour **augmenter** la température ou **dans le sens des aiguilles d'une montre** pour **diminuer** la température.*

Robinet mélangeur thermostatique Vernatherm™ (S01-524)

Kit de réparation S65-259

Pièce	Qté	Description
5	1	Thermostat
7	1	Joint torique
8	1	Joint torique

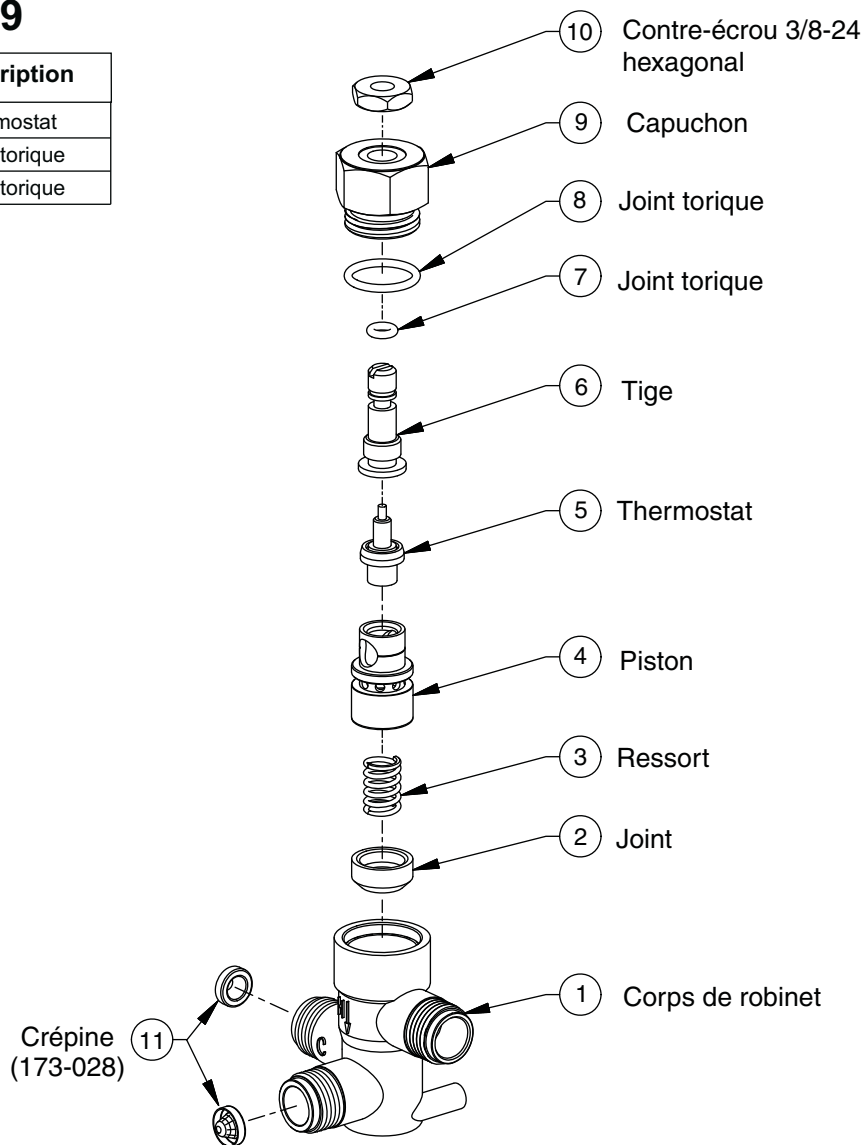
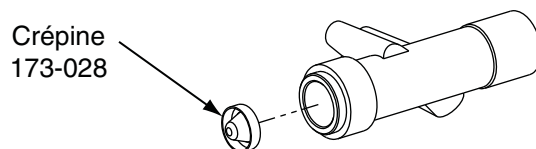


Figure 12

Ensemble d'adaptateur de conduite trempée (S39-685) en option

Figure 13



Índice

Información previa a la instalación	48
Dimensiones de la fuente de lavado modelo TDB3103	49
Dimensiones de la fuente de lavado modelo TDB3203	50
Especificaciones de instalación de tuberías empotradas de la fuente de lavado	51-52
Instrucciones de instalación	53-58
Instrucciones de ajuste de Vernatherm	59
Limpieza/mantenimiento de Terreon®	60
Limpieza/mantenimiento de la fibra de vidrio revestida de gel	60
Limpieza/mantenimiento del acero inoxidable	61
Repuestos de la válvula del dispensador de jabón	62-63
Recomendaciones y mantenimiento del jabón	64
Localización de fallas/repuestos de la boquilla rociadora	65
Componentes del conjunto del módulo IR	66
Localización de fallas del dispositivo infrarrojo	66
Localización de fallas de la válvula de solenoide	67-68
Mantenimiento de la válvula mezcladora Vernatherm™	69-70
Limpieza del filtro	69-70

Suministros requeridos por el instalador

- (4) tirafondos, tornillos u otros sujetadores de 1/2" para sujetar el pedestal de la fuente de lavado
- Tuberías y accesorios de suministro de agua caliente y fría de 1" (consulte las especificaciones de instalación de tuberías empotradas en la página 52)
- Accesorios reductores y tubos de suministro de tubería de cobre nom. de 1/2" para los tipos que tengan los suministros anteriores
- Sifón estándar tipo P (consulte las especificaciones de instalación de tuberías empotradas en las páginas 51 a 53)
- Tuberías y accesorios de desagüe de 1-1/2" (consulte las especificaciones de instalación de tuberías empotradas en las páginas 51 a 53)
- Cinta de teflón o aditivo para tuberías
- Se suministra fuente de energía de 110 V CA GFI para transformador clase II de 110/24 V CA UL
- OPCIONAL: Bradley recomienda la instalación de un conmutador de corte eléctrico en la unidad. Esta característica permite que no haya descarga accidental de agua durante el mantenimiento y reparación regulares.

Información previa a la instalación

Material Terreon®

La fuente de lavado está construida de Terreon®, un material de superficie sólida densificada compuesto de resina poliéster. Terreon® es resistente a los productos químicos, las manchas, las quemaduras y los golpes. Los daños a las superficies se pueden reparar fácilmente con productos de limpieza de uso diario o abrasivos de polvo fino. Terreon® está certificado por NAHB y cumple las normas ANSI Z124.3, Z124.6 y ANSI/ICPA SS-1-2001.

Dispositivo infrarrojo Adaptive

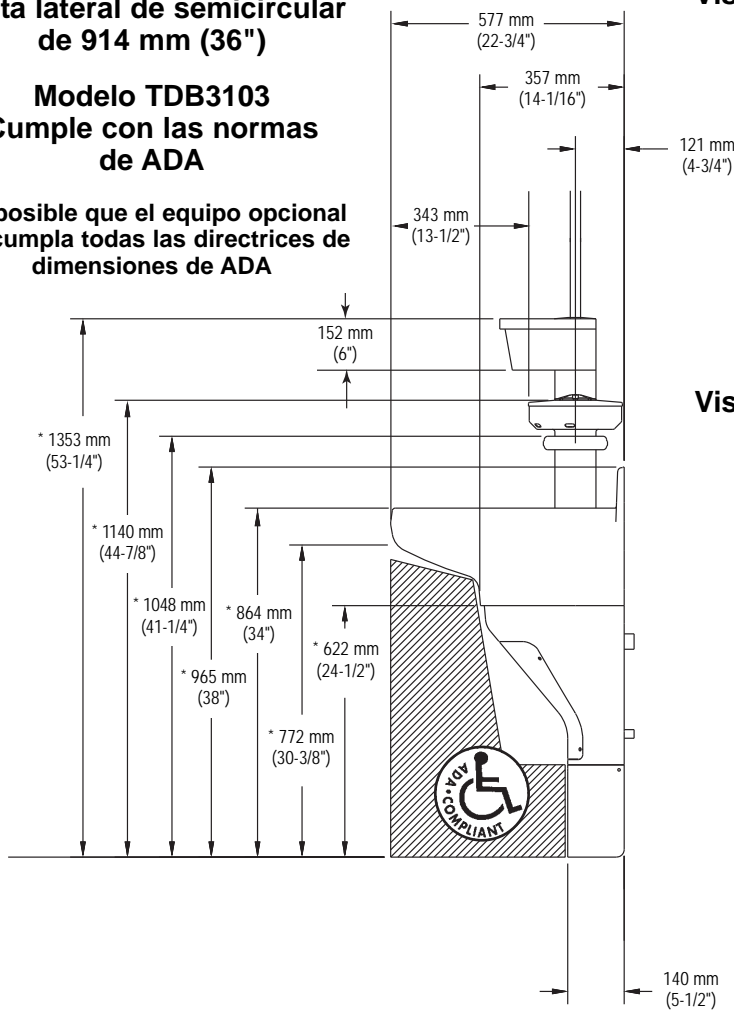
La boquilla rociadora se controla mediante una válvula de solenoide, lo que permite al usuario activar un flujo de agua. El sensor infrarrojo se demorará algunos minutos en adaptarse a su ambiente cuando se encienda la unidad.

Dimensiones de la fuente de lavado semicircular

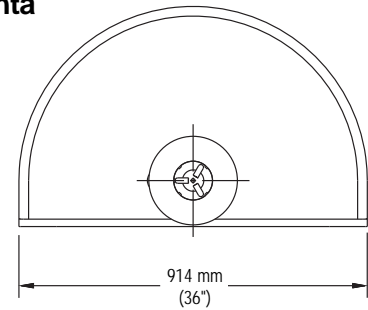
Modelo TDB3103
Vista lateral de semicircular
de 914 mm (36")

Modelo TDB3103
Cumple con las normas
de ADA

Es posible que el equipo opcional
no cumpla todas las directrices de
dimensiones de ADA



Vista en planta



Vista posterior

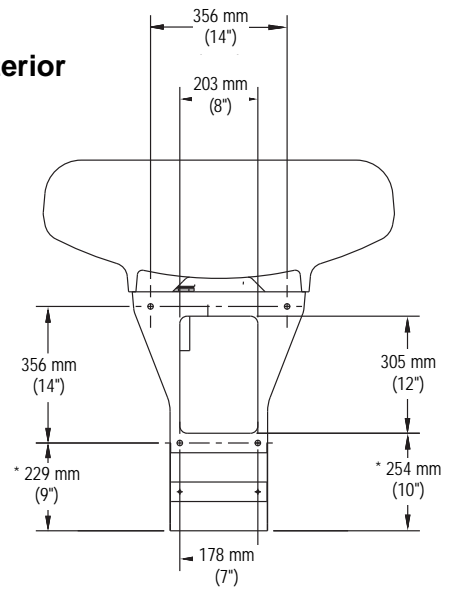
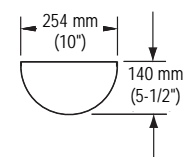


Figura 1a

Vista de abajo arriba

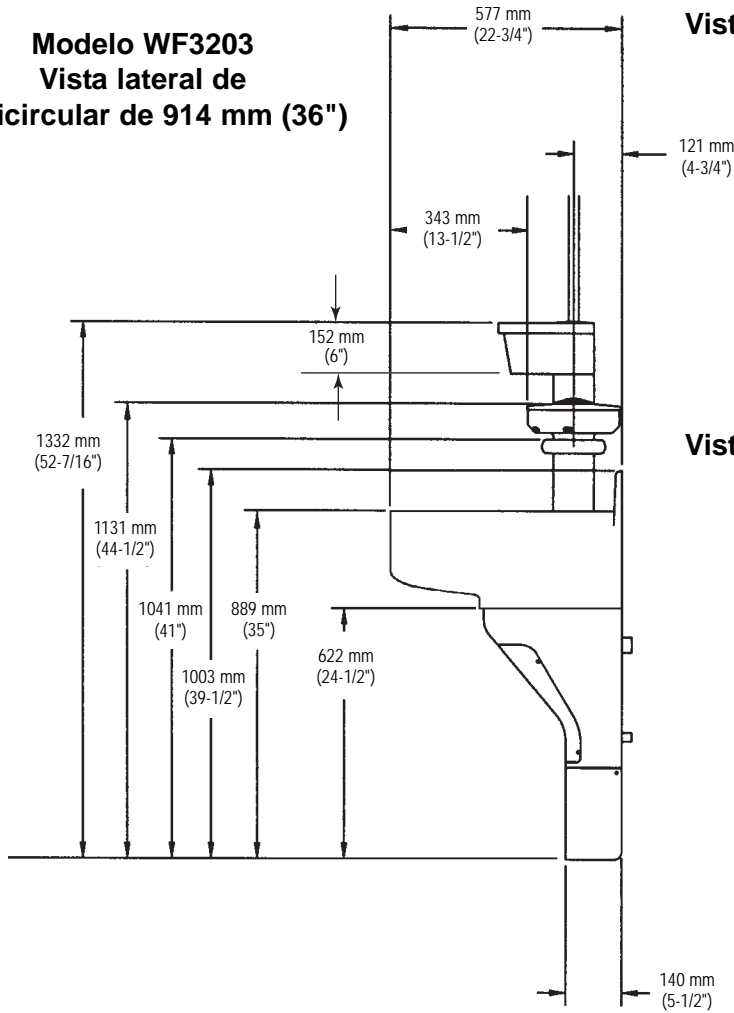


*** AJUSTES A LAS DIMENSIONES VERTICALES PARA VARIAS ALTURAS DE BORDE**

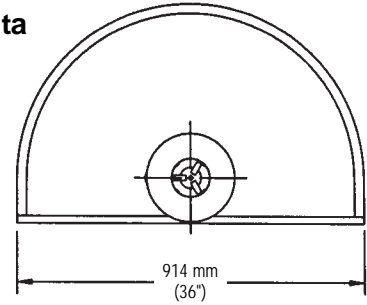
Altura del borde	Aplicación	Ajuste
864 mm (34")	Altura para adultos según ADA, Altura para adultos según TAS	Ninguno, como se muestra
813 mm (32")	Edades 11 a 14 ó 15 según TAS, Grados 6 a 8 ó 9	Reste 51 mm (2")
762 mm (30")	Edades de 4 a 10 u 11 según TAS, Grados 6 a 8 ó 9 y Altura para niños propuesta según ADA	Reste 102 mm (4")

Dimensiones de la fuente de lavado semicircular

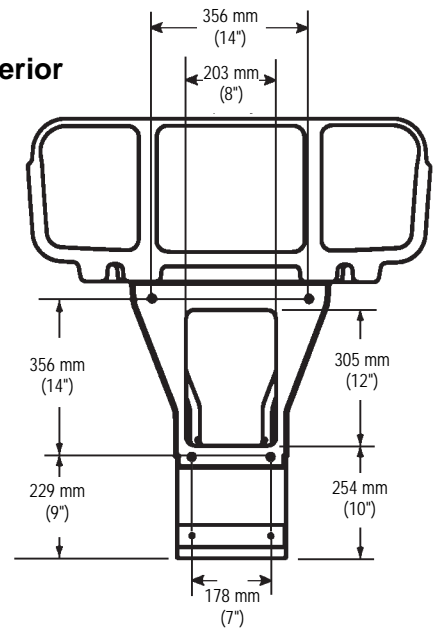
Modelo WF3203
Vista lateral de
semicircular de 914 mm (36")



Vista en planta



Vista posterior



Vista de abajo arriba

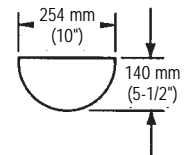


Figura 1b

Especificaciones de instalación de tuberías empotradas de fuentes de lavado semicirculares

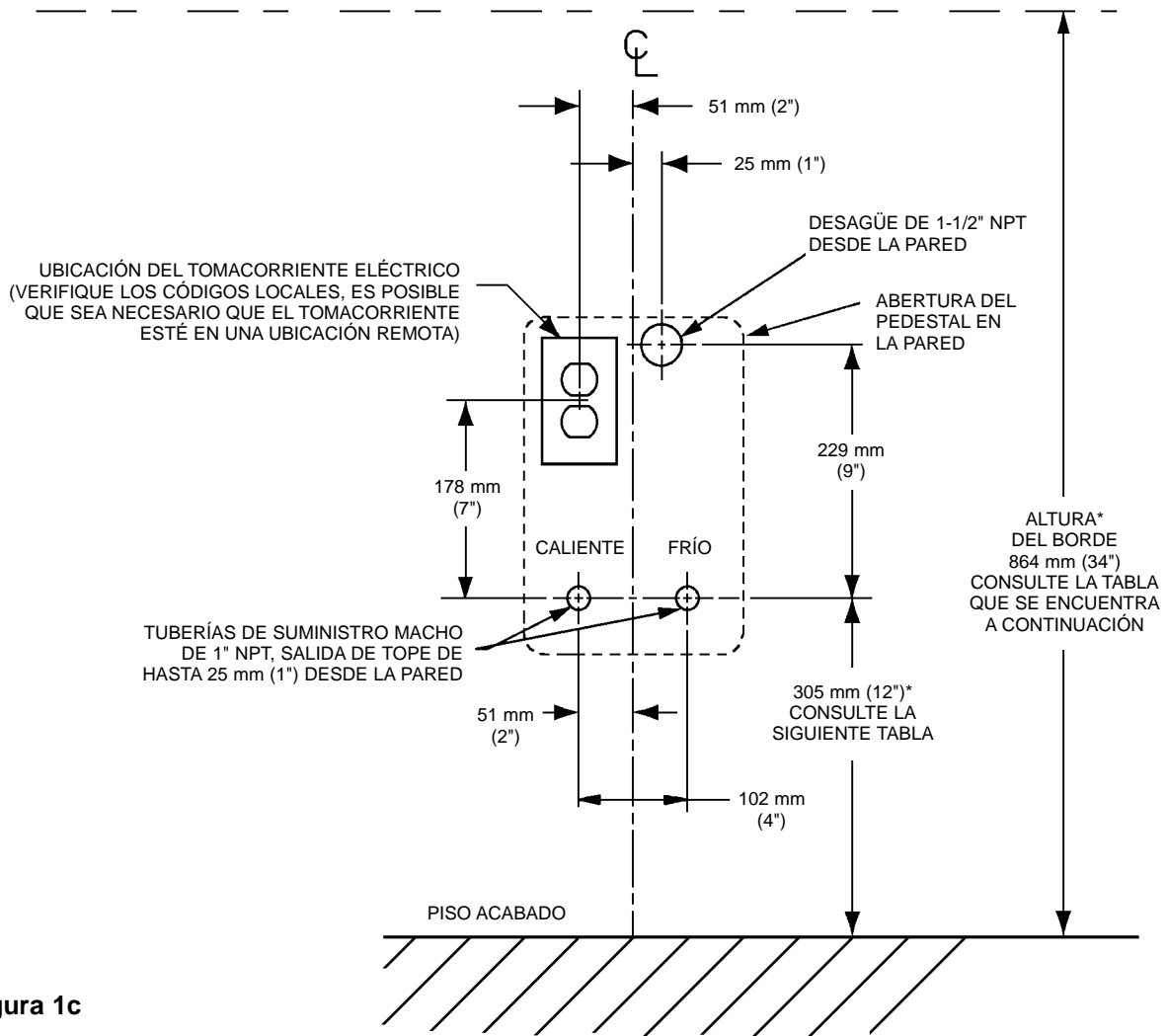


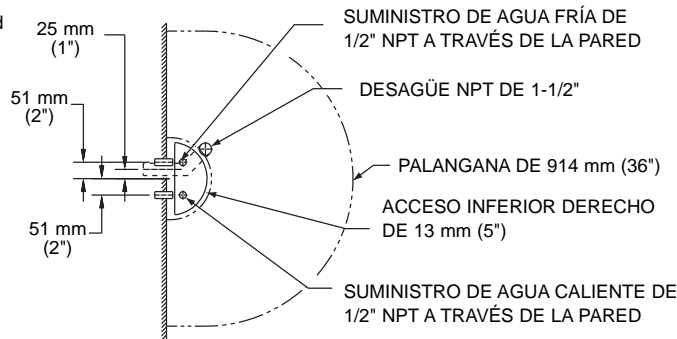
Figura 1c

* AJUSTES A LAS DIMENSIONES VERTICALES PARA VARIAS ALTURAS DE BORDE		
Altura del borde	Aplicación	Ajuste
864 mm (34") 889 mm (35") (WF3203)	Altura para adultos según ADA, Altura para adultos según TAS	Ninguno, como se muestra
813 mm (32")	Edades 11 a 14 ó 15 según TAS, Grados 6 a 8 ó 9	Reste 51 mm (2")
762 mm (30")	Edades de 4 a 10 u 11 según TAS, Grados Pre-K a 5 ó 6 y Altura para niños propuesta según ADA	Reste 102 mm (4")

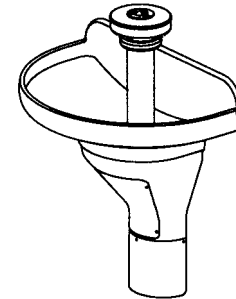
Especificaciones técnicas para instalación de tuberías empotradas

Desagüe tipo A

- Suministros a través de la pared
- Ventilaciones a través del desagüe fuera de la pared



NOTA:
DESAGÜE PARA SIFÓN TIPO P Y OTROS SUMINISTROS



SIFÓN SÓLO PARA DESAGÜE DE PARED

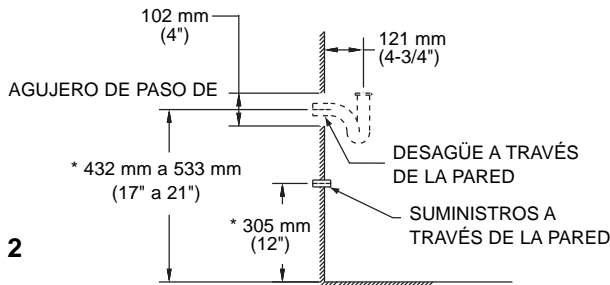


Figura 2

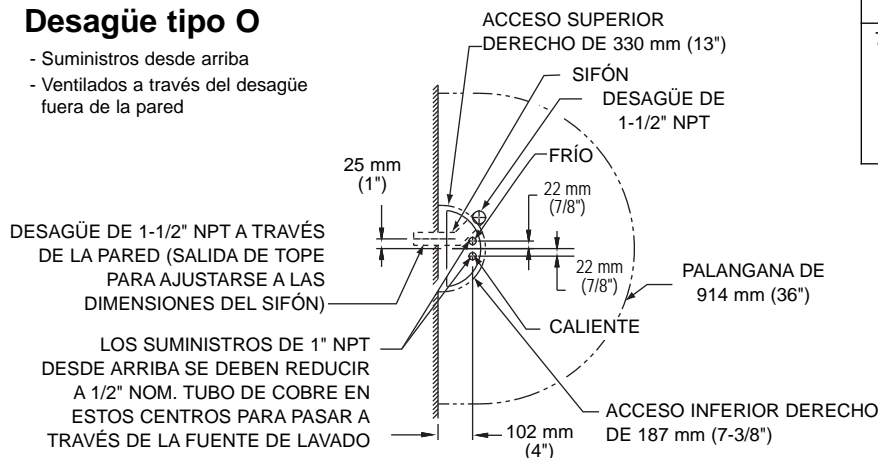
NOTA: Las tuberías de suministro para una o dos fuentes de lavado deben ser de 1"; para tres fuentes de lavado, de 1-1/4". Para más de tres fuentes de lavado, se deben aumentar proporcionalmente los tamaños de las tuberías.

*** AJUSTES A LAS DIMENSIONES VERTICALES PARA VARIAS ALTURAS DE BORDE**

Altura del borde	Aplicación	Ajuste
864 mm (34") 889 mm (35") (WF3203)	Altura para adultos según ADA, Altura para adultos según TAS	Ninguno, como se muestra
813 mm (32")	Según TAS, Edades 11 a 14 ó 15, Grados 6 a 8 ó 9	Reste 51 mm (2")
762 mm (30")	Según TAS, Edades 4 a 10 u 11, Grados Pre-K a 5 ó 6 y Altura para niños propuesta según ADA	Reste 102 mm (4")

Desagüe tipo O

- Suministros desde arriba
- Ventilados a través del desagüe fuera de la pared



SIFÓN SÓLO PARA DESAGÜE DE PARED

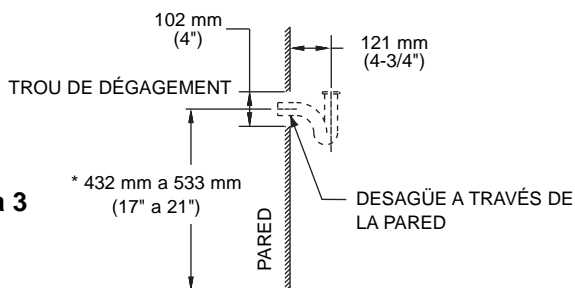
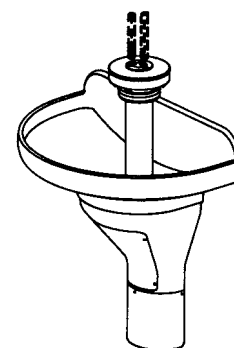


Figura 3



NOTA: Las tuberías de suministro para una o dos fuentes de lavado deben ser de 1"; para tres fuentes de lavado, de 1-1/4". Para más de tres fuentes de lavado, se deben aumentar proporcionalmente los tamaños de las tuberías.

1 Desagüe y suministros empotrados

A

TUBERÍAS DE SUMINISTRO Y DESAGÜE EMPOTRADAS NECESARIAS PARA LA INSTALACIÓN (CONSULTE LAS PÁGINAS 51 Y 52 PARA VER LAS ESPECIFICACIONES DE INSTALACIÓN OPCIONALES DE TUBERÍAS EMPOTRADAS).

NOTA:

Se requiere una ubicación para enchufar el transformador de 24 V CA. Consulte la Figura 1c en la página 51 para el tomacorriente empotrado.

2 Montaje y ensamblaje de palangana/pedestal

A

CONECTE LA BASE DEL PEDESTAL DE ACERO INOXIDABLE AL PEDESTAL USANDO LOS TORNILLOS Y LAS ARANDELAS DE ACABADO PROPORCIONADOS. PARA LOS MODELOS MONTADOS EN LA PARED, CONSULTE LAS PÁGINAS 49 Y 50 PARA VER LA ALTURA DEL PEDESTAL.

B

COLOQUE EL PEDESTAL EN LA UBICACIÓN DESEADA Y MARQUE LA POSICIÓN DE LAS CUATRO (4) UBICACIONES DE MONTAJE DEL PEDESTAL EN LA PARED.

C

ASEGURE EL PEDESTAL A LA PARED CON LOS SUJETADORES APROPIADOS, DISPOSITIVOS DE SUJECCIÓN Y PERNOS DE 1/2" (PROPORCIONADOS POR EL INSTALADOR) (CONSULTE LA FIGURA 1B PARA VER LAS UBICACIONES DE MONTAJE EN LA PARED).

D

CON DOS PERSONAS, LEVANTE CUIDADOSAMENTE LA PALANGANA SOBRE EL PEDESTAL (CONSULTE LA FIGURA 4).

E

UBIQUE LA PALANGANA DE MODO QUE LAS VARILLAS ROSCADAS EN LA PALANGANA SE ACOPLEN CON LOS ORIFICIOS RANURADOS EN EL PEDESTAL (CONSULTE LA FIGURA 4).

F

CON TUERCAS DE MARIPOSA Y ARANDELAS DE 1/4", FIJE LA PALANGANA AL PEDESTAL, EN TRES LUGARES (CONSULTE LA FIGURA 4).

NOTA:

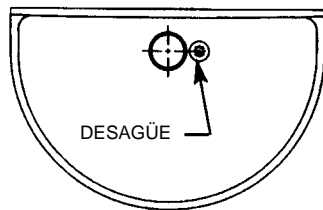
Antes de conectar las tuercas de mariposa y las arandelas de 1/4" a la varilla roscada, saque las tapas protectoras rojas de las varillas roscadas. Deseche las tapas de los manguitos después de sacarlas.



PRECAUCIÓN:

La superficie de la palangana es lisa. El peso aproximado de la palangana es de 34 kg (75 libras). ¡Manipule con cuidado!

VISTA EN PLANTA



VISTA FRONTAL

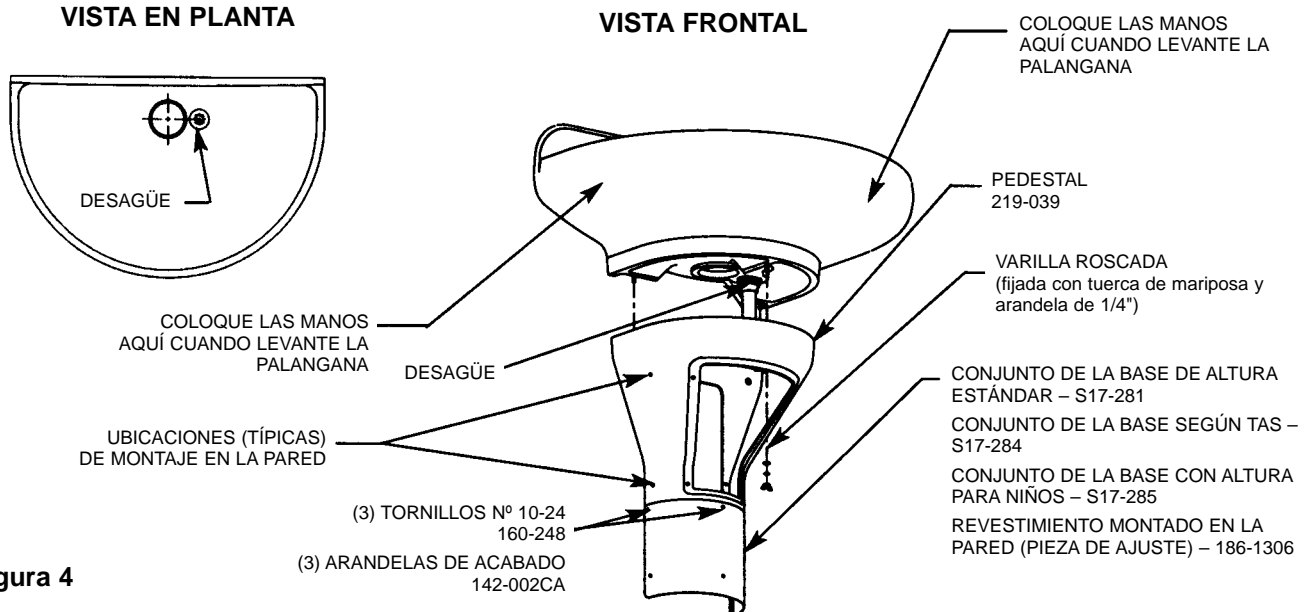


Figura 4

3 Instalación del embudo de desagüe en la palangana

A FIJE EL EMBUDO DE DESAGÜE CON LA CONTRATUERCA Y LAS ARANDELAS COMO SE MUESTRA EN LA FIGURA 5.

¡NOTA!

Selle entre el embudo y el orificio de desagüe con masilla para tuberías (proporcionada por el instalador).

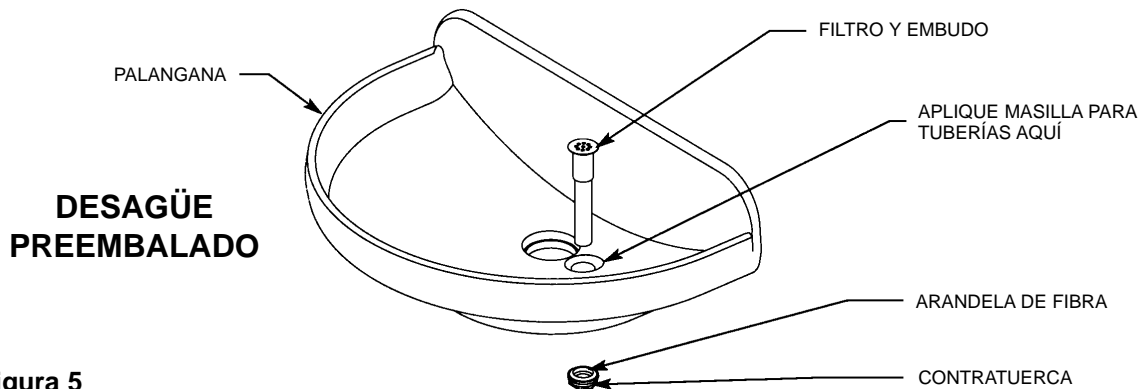


Figura 5

4 Conexión de la válvula de cierre del suministro e instalación del sifón tipo P

A CON SELLANTE PARA ROSCA DE TUBO, INSTALE LOS CODOS MACHO Y HEMBRA DE 1/2" QUE SE PROPORCIONAN EN LOS TOPES DEL SUMINISTRO EN ÁNGULO DE 1/2" (CONSULTE LA FIGURA 9A, PÁGINA 58)

¡NOTA!

Lave las tuberías de suministro antes de realizar las conexiones. No aplique sellante de tuberías en los accesorios de compresión.

B NUEVAMENTE USANDO SELLANTE PARA ROSCA DE TUBO, INSTALE LOS TOPES DEL SUMINISTRO EN LAS SALIDAS DE TOPE.

C SIGA LOS PROCEDIMIENTOS A CONTINUACIÓN Y CONSULTE LA FIGURA 6 CUANDO INSTALE LAS TUBERÍAS DE 3/8" EN LA BOQUILLA ROCIADORA A FIN DE ASEGURARSE DE QUE OBTENGA UN SELLO HERMÉTICO.

D CON UN CUCHILLO AFILADO, CORTE LA TUBERÍA DIRECTAMENTE Y ELIMINE LAS REBABAS. NO APRIETE NI APLASTE EL EXTREMO DE LA TUBERÍA.

E SUELTE LA TUERCA DEL ACCESORIO. HUMEDEZCA EL EXTREMO DEL TUBO Y COLÓQUELO EN EL ACCESORIO HASTA QUE SE ASIENTE CON FIRMEZA. APRIETE LA TUERCA PARA FIJAR EL TUBO AL ACCESORIO (COMPRUEBE QUE ESTÉ FIRMEMENTE APRETADA).

F SI EL CONECTOR TIENE FUGAS, VUELVA A ASENTAR LA TUBERÍA DE ACUERDO CON EL PROCEDIMIENTO ANTERIOR. SI LA FUGA CONTINÚA, CAMBIE EL CONECTOR MACHO O LLAME A UN REPRESENTANTE DE BRADLEY PARA SOLICITAR AYUDA.

G CONECTE EL SIFÓN TIPO P (PROPORCIONADO POR EL INSTALADOR) AL TUBO DE ASPIRACIÓN Y LA SALIDA DEL DESAGÜE.

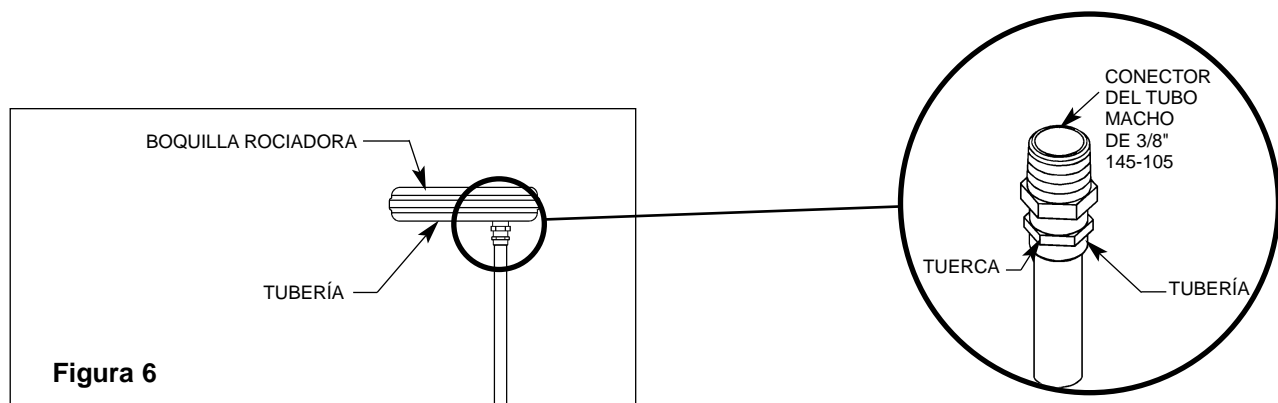


Figura 6

5 Conjunto del dispositivo infrarrojo Adaptive para unidades de desagüe tipo A y tipo O

A INSTALE EN LA PALANGANA, EL EXTREMO GUARNECIDO (NO EL EXTREMO AFILADO) DEL TUBO DE SOPORTE CON LA EMPAQUETADURA (CONSULTE LA FIGURA 7 EN LA PÁGINA 56).

B UBIQUE LA BOQUILLA ROCIADORA CON LA TUBERÍA DE 3/8" EN EL TUBO DE SOPORTE COMO SE MUESTRA EN LA FIGURA 7 EN LA PÁGINA 56. TIENDA LA TUBERÍA HACIA ABAJO A TRAVÉS DEL TUBO DE SOPORTE. **ASEGÚRESE DE QUE LOS ORIFICIOS DE ROCIADOR APUNTEN LEJOS DE LA PARED.**

C PONGA LA BARRA DE CONEXIÓN SUPERIOR (RANURADA EN AMBAS ESQUINAS DE CADA EXTREMO) EN LA PARTE SUPERIOR DE LA BOQUILLA ROCIADORA PARALELA A LA PARED. CONECTE LAS DOS VARILLAS DE CONEXIÓN ROSCADAS USANDO LA TUERCA DE ACOPLAMIENTO CON LOS TORNILLOS DE FIJACIÓN DE CABEZA HEXAGONAL. TIENDA LA VARILLA DE CONEXIÓN HACIA ABAJO A TRAVÉS DE LA BARRA DE CONEXIÓN SUPERIOR (CONSULTE LA FIGURA 7) Y FIJE LA PALANGANA DESDE ABAJO USANDO LA BARRA DE CONEXIÓN INFERIOR (SIN RANURAS) Y LA TUERCA HEXAGONAL CON EL TORNILLO DE FIJACIÓN DE CABEZA HUECA. DEBE SOBRESALIR UN MÍNIMO DE 38 MM (1-1/2") DE LA VARILLA DE CONEXIÓN ROSCADA DEBAJO DE LA BARRA DE CONEXIÓN INFERIOR; ESTO SERÁ NECESARIO PARA FIJAR LAS VÁLVULAS.

D PONGA EL CONJUNTO DEL MÓDULO INFRARROJO EN LA PARTE SUPERIOR DE LA BOQUILLA ROCIADORA. GIRE HASTA QUE EL MÓDULO INFRARROJO SE FIJE EN LA BARRA DE CONEXIÓN. BAJE LOS DOS CABLES DEL MÓDULO INFRARROJO HACIA EL CONJUNTO DE LA VÁLVULA. **ASEGÚRESE DE QUE LA CARA DE LAS VENTANAS DEL MÓDULO INFRARROJO QUEDE HACIA LA PARTE DELANTERA DE LA UNIDAD.**

¡NOTA! *Vaya hasta el paso E para las unidades sin jabón.*

● PARA LAS UNIDADES CON OPCIÓN DE JABÓN, INSTALE EL ESPACIADOR, DISPENSADOR DE JABÓN Y CUBIERTA USANDO LA TUERCA DE ACOPLAMIENTO, LA TERCERA VARILLA DE CONEXIÓN (219 MM [8-5/8"] DE LARGO) Y LA SEGUNDA TUERCA DE ACOPLAMIENTO COMO SE MUESTRA (CONSULTE LA FIGURA 8 EN LA PÁGINA 57). FIJELAS CON EL SOPORTE DE CONTENCIÓN, LA TUERCA CIEGA Y EL TORNILLO DE CABEZA HUECA DE LA BOQUILLA ROCIADORA.

E FIJE LA CUBIERTA DEL MÓDULO INFRARROJO Y LA CUBIERTA SUPERIOR CON LA TUERCA CIEGA Y EL TORNILLO DE FIJACIÓN DE CABEZA HUECA.

F SOSTENIENDO EL CONJUNTO DE LA VÁLVULA FUERA DEL PEDESTAL, CONECTE LA TUBERÍA DE 3/8" DE LA BOQUILLA ROCIADORA AL CONECTOR DEL TUBO DEL CONJUNTO DE LA VÁLVULA (CONSULTE LA FIGURA 9A EN LA PÁGINA 58).

G COLOQUE UNA TUERCA DE 3/8" QUE SE PROPORCIONA EN LA VARILLA DE CONEXIÓN. LUEGO COLOQUE EL CONJUNTO DE VÁLVULA Y FÍJELO CON OTRA TUERCA DE 3/8". CONSULTE LA FIGURA 9A.
PARA LA UNIDAD TIPO A: CONECTE LAS TUBERÍAS DE SUMINISTRO A LOS TOPES USANDO LOS ACCESORIOS ADECUADOS.
PARA LA UNIDAD TIPO O: INSTALE LOS TUBOS DE SUMINISTRO DE TUBERÍA DE COBRE NOMINAL DE 1/2" (PÁSELOS HACIA ABAJO A TRAVÉS DE LOS ORIFICIOS EN LA CUBIERTA Y A TRAVÉS DE LA COLUMNA DE SOPORTE) Y CONÉCTELOS A LAS VÁLVULAS DE CIERRE DEL SUMINISTRO USANDO LOS ACCESORIOS ADECUADOS.

6 Conexiones eléctricas para el dispositivo infrarrojo Adaptive

NOTA INICIAL: *No lo use durante dos minutos después de realizar la conexión eléctrica. Los sensores demoran hasta ocho minutos (sin que se usen) en adaptarse a la palangana si se detecta otro objeto durante el período inicial de dos minutos.*

A FIJE EL CABLE DE CONEXIÓN HEMBRA INFRARROJO DEL MÓDULO INFRARROJO AL SOLENOIDE COMO SE MUESTRA EN LA FIGURA 9B EN LA PÁGINA 58.

B CONECTE EL CABLE DE CONEXIÓN MACHO INFRARROJO DEL MÓDULO INFRARROJO AL HILO DE PLOMO CONDUCTOR DEL TRANSFORMADOR.

C CONECTE EL OTRO HILO DE PLOMO CONDUCTOR DEL TRANSFORMADOR AL SOLENOIDE.

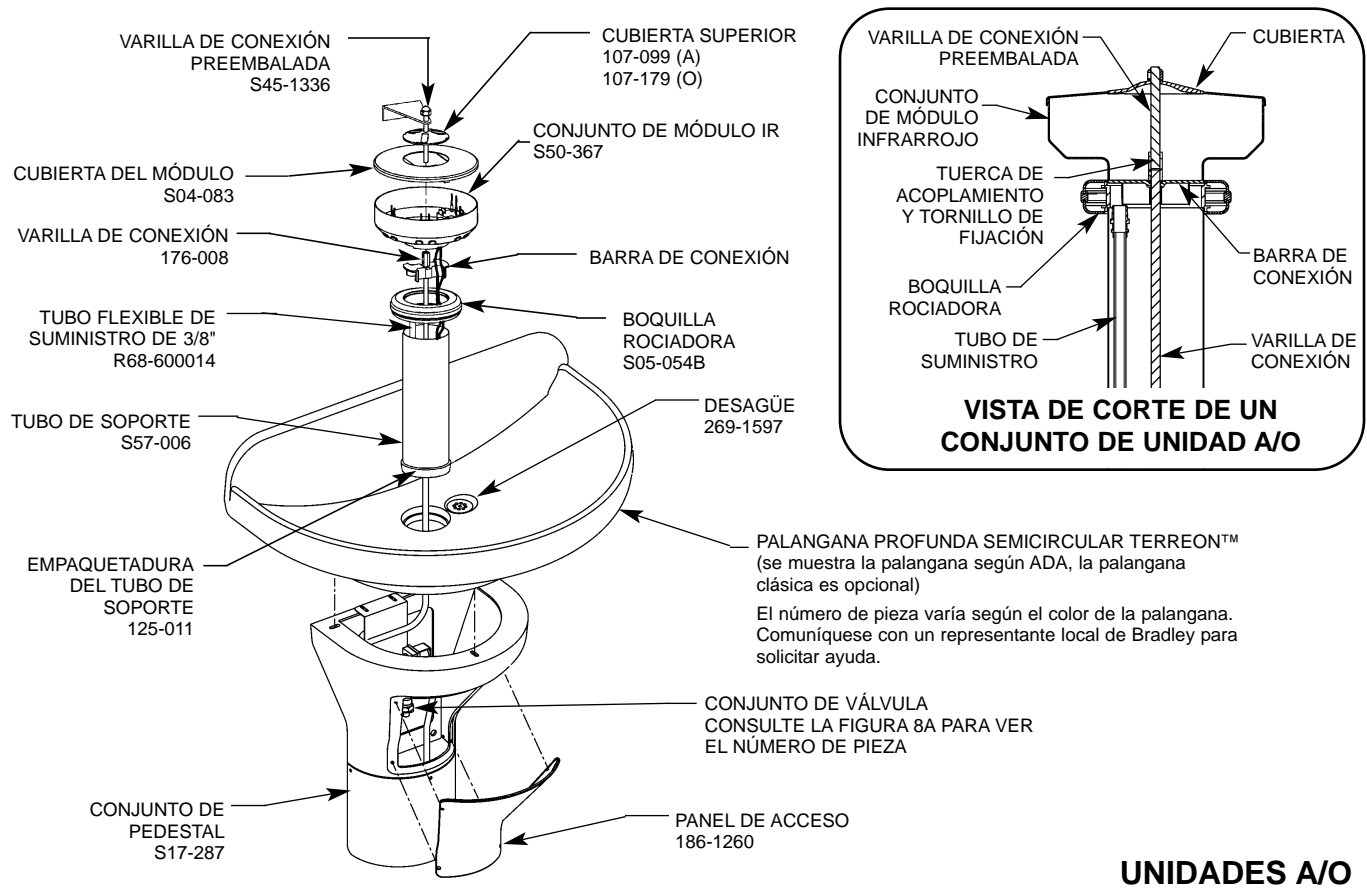
D CONECTE EL TRANSFORMADOR DE 24 V CA QUE SE PROPORCIONA A LA FUENTE DE ENERGÍA.

E CONECTE Y ABRA LOS SUMINISTROS. ABRA COMPLETAMENTE LAS VÁLVULAS DE RETENCIÓN/CIERRE.

F ABRA COMPLETAMENTE LA VÁLVULA DE CONTROL DE VOLUMEN Y COMPRUEBE QUE LA INSTALACIÓN DE LAS TUBERÍAS NO TENGA FUGAS.

G PASE LA MANO FRENTE A CADA SENSOR HASTA QUE SE PURGUE EL AIRE DE LAS TUBERÍAS.

Instrucciones de instalación *continuación* . . .



El número de pieza varía según el color de la palangana. Comuníquese con un representante local de Bradley para solicitar ayuda.

UNIDADES A/O
(Se muestra A)

Figura 7

Instrucciones de instalación *continuación . . .*

Instrucciones opcionales de instalación del jabón

UNIDAD CON DESAGÜE TIPO "A" Y MÓDULO IR COMO SE MUESTRA, TAMBIÉN DISPONIBLE CON DESAGÜE TIPO "O"

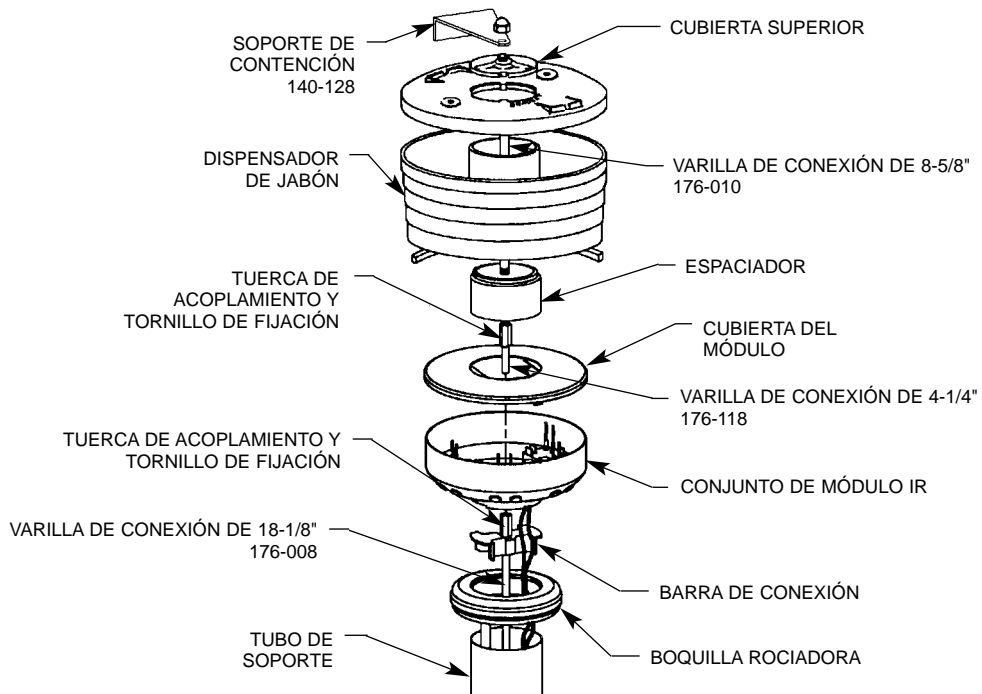


Figura 8

Instrucciones de instalación *continuación* . . .

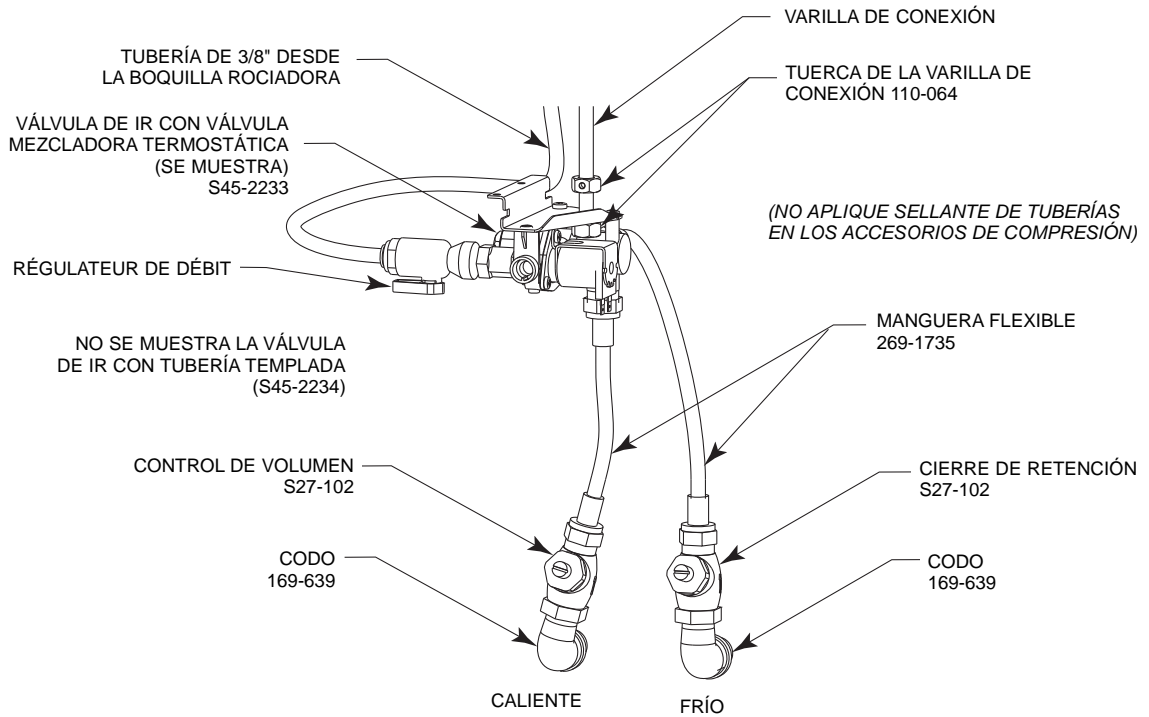


Figura 9a

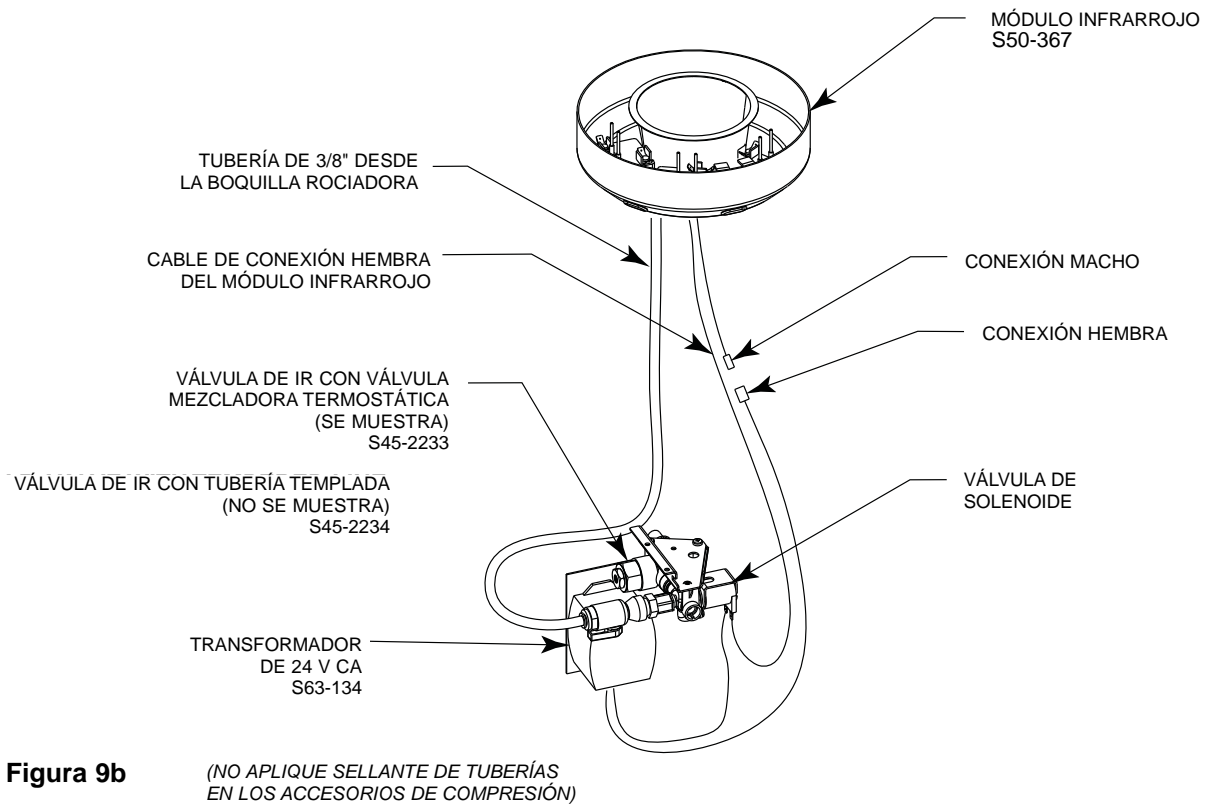


Figura 9b

Instrucciones de ajuste de Vernatherm



NOTA: La válvula TMA Vernatherm **NO** viene ajustada de fábrica. En la instalación, debe verificarse y ajustarse la temperatura de esta válvula para garantizar el suministro de una temperatura segura del agua. *El agua que tenga una temperatura mayor que 43° C (110° F) puede provocar escaldado.*

A

VERIFIQUE LA TEMPERATURA Y REALICE AJUSTES SI FUESE NECESARIO (EL RANGO DE LA VÁLVULA ES DE 35° C A 43° C (95° F A 115° F) PARA AJUSTAR LA TEMPERATURA, SIGA EL SIGUIENTE PROCEDIMIENTO:

- SUELTE LA CONTRATUERCA DE TEMPERATURA CON LA LLAVE.
- CON UN DESTORNILLADOR DE PALETA, GIRE EL VÁSTAGO DE AJUSTE EN EL SENTIDO CONTRARIO AL DE LAS AGUJAS DEL RELOJ PARA AUMENTAR LA TEMPERATURA O EN EL SENTIDO DE LAS AGUJAS DEL RELOJ, PARA DISMINUIRLA (FIGURA 10).
- UNA VEZ QUE ALCANCE LA TEMPERATURA DESEADA, APRIETE LA CONTRATUERCA PARA EVITAR EL CAMBIO DE TEMPERATURA.

B

LIMPIE LA BOQUILLA ROCIADORA, SI FUESE NECESARIO. CONSULTE LA PÁGINA 65 PARA INFORMARSE SOBRE EL MANTENIMIENTO Y LAS PIEZAS DE REPUESTO DE LA BOQUILLA ROCIADORA. SI FUESE NECESARIO, AJUSTE LA VÁLVULA DE CONTROL DE VOLUMEN PARA CONTROLAR EL FLUJO DE AGUA.

C

CONECTE EL PANEL DE ACCESO DEL PEDESTAL CON LAS PIEZAS METÁLICAS QUE SE PROPORCIONAN.

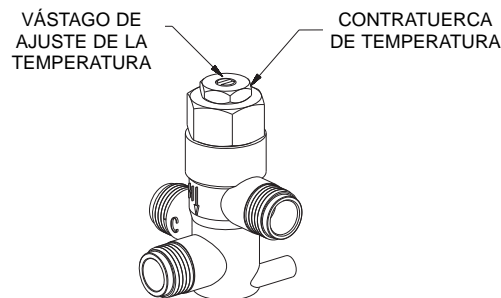


Figura 10

Instrucciones de limpieza/mantenimiento de Terreon®

Descripción del material: Terreon® es un material de superficie sólida densificada con certificación NAHB compuesto de resina poliéster que es resistente a los productos químicos, las manchas, las quemaduras y los golpes. Los daños a las superficies se pueden reparar fácilmente con productos de limpieza de uso diario o abrasivos de polvo fino.

Limpieza de rutina: Limpie a diario o con la frecuencia que las condiciones demanden usando un producto de limpieza comercial o doméstico estándar como Formula 409® o Windex®.

Manchas rebeldes: Elimine las manchas difíciles con Ajax®, Comet®, o Soft-Scrub® y una almohadilla Scotch-Brite® verde o lije ligeramente con movimientos circulares usando papel de lija húmedo/seco grano 240. El acabado puede renovarse con una almohadilla Scotch-Brite granate.

Situaciones especiales del material

Rayones: Elimine los rayones con una almohadilla Scotch-Brite® verde. El acabado puede renovarse con una almohadilla Scotch-Brite® granate.

Depósitos de agua dura: Elimine los depósitos de agua dura con una solución suave de vinagre y agua. Siempre enjuague completamente la unidad después de la limpieza.

Restauración de la superficie: Use el producto de limpieza y pulimento de superficies sólidas Hope's® para renovar y proteger el material de superficie sólida Terreon. Bradley recomienda cuidado y mantenimiento adicionales para Terreon de colores oscuros. Para obtener instrucciones completas sobre este mantenimiento adicional, consulte el documento N° 1505 de Bradley.



IMPORTANTE: NO USE PRODUCTOS QUÍMICOS ÁCIDOS O ALCALINOS FUERTES NI PRODUCTOS DE LIMPIEZA PARA LIMPIAR TERREON. SI ESTOS PRODUCTOS QUÍMICOS ENTRAN EN CONTACTO CON LA SUPERFICIE DE TERREON, LÍMPIELOS DE INMEDIATO Y ENJUAGUE CON AGUA JABONOSA. EVITE EL CONTACTO CON PRODUCTOS QUÍMICOS ABRASIVOS COMO QUITAPINTURAS, BLANQUEADOR, ACETONA, ETC. EVITE EL CONTACTO CON SARTENES Y OBJETOS CALIENTES.

Equipos de reparación: Se encuentran disponibles equipos de reparación Terreon®. Comuníquese con el representante o distribuidor de Bradley para obtener los números de pieza y los precios.

NOTA: Los equipos de reparación se deben pedir y tienen una duración de almacenado de 30 días.

Nombres de marcas: El uso de los nombres de marca está previsto sólo para indicar un tipo de producto de limpieza. Ello no constituye una aprobación ni la omisión del nombre de marca del producto de limpieza significa que sea inadecuado. Muchos productos nombrados son de distribución regional y pueden encontrarse en supermercados, tiendas de departamentos y ferreterías locales o en el servicio de limpieza. Se enfatiza que todos los productos deben usarse en estricta conformidad con las instrucciones del paquete.

Instrucciones de limpieza/mantenimiento para la fibra de vidrio revestida de gel

Descripción del material: Las fuentes de lavado Terreon® que se mencionan en este manual de instalación usan un pedestal de fibra de vidrio revestida de gel.

Limpieza de rutina: El pedestal revestido de gel debe limpiarse diariamente o con la frecuencia que sea necesario con una solución suave de detergente y agua. Siempre use un paño suave para evitar dañar el acabado.

Equipos de reparación: No contamos con equipos de reparación para los materiales de fibra de vidrio. Sin embargo, contamos con repuestos; comuníquese con el representante de Bradley para obtener los precios y números de pieza.



IMPORTANTE: NO EXPONGA LA FIBRA DE VIDRIO REVESTIDA DE GEL A SOLVENTES, YA QUE ÉSTOS DAÑARÁN EL MATERIAL Y PUEDEN CREAR GASES DAÑINOS.

Nombres de marcas: El uso de los nombres de marca está previsto sólo para indicar un tipo de producto de limpieza. Ello no constituye una aprobación ni la omisión del nombre de marca del producto de limpieza significa que sea inadecuado. Muchos productos nombrados son de distribución regional y pueden encontrarse en supermercados, tiendas de departamentos y ferreterías locales, o en el servicio de limpieza. Se enfatiza que todos los productos deben usarse en estricta conformidad con las instrucciones del paquete.

Instrucciones de limpieza y mantenimiento del acero inoxidable

Descripción del material: El acero inoxidable es extremadamente duradero y su mantenimiento es sencillo y económico. El cuidado adecuado es fundamental, en especial bajo condiciones corrosivas. Siempre comience con la solución más sencilla y trabaje hacia las más complicadas.

Limpieza de rutina: A diario o con la frecuencia que sea necesario, use una solución de agua tibia, jabón, detergente o amoníaco. Aplique la solución de limpieza según las instrucciones del fabricante y siempre use un paño suave o una esponja para evitar dañar el acabado.

Manchas rebeldes: Para eliminar las manchas rebeldes del acero inoxidable use un producto de limpieza y pulimento para acero inoxidable como Ball® o un abrasivo suave. Siga siempre las instrucciones del fabricante y aplique en la misma dirección que la de las líneas de pulido.



IMPORTANTE: NUNCA USE LANA DE ACERO COMÚN O CEPILLOS DE ACERO SOBRE ACERO INOXIDABLE. SIEMPRE USE LANA O CEPILLOS DE ACERO INOXIDABLE.

Situaciones especiales del material

Huellas digitales o manchas: Para eliminar las huellas digitales o manchas use un producto de limpieza y pulimento de acero inoxidable de alta calidad según las instrucciones del fabricante. Muchos de estos productos dejan un revestimiento de protección que ayuda a evitar manchas y huellas digitales futuras.

Grasa y aceite: Para eliminar la grasa y el aceite use un detergente comercial de calidad o un producto de limpieza cáustico. Aplique según las instrucciones de los fabricantes y en la dirección de las líneas de pulido.

Precauciones: Evite el contacto prolongado con cloruros (blanqueadores, sales), bromuros (agentes sanitizantes), tiocianatos (pesticidas, productos químicos de fotografías y algunos alimentos) y yoduros sobre el equipo de acero inoxidable, especialmente si existen condiciones ácidas.



IMPORTANTE: NO PERMITA QUE LAS SOLUCIONES SALADAS SE EVAPOREN Y SEQUEN EN EL ACERO INOXIDABLE.

La aparición de rayas de óxido sobre el acero inoxidable lleva a pensar que el acero está oxidado. Busque la fuente real de óxido en algunas partículas de hierro o acero que pueden estar en contacto, pero que no son realmente parte de la estructura de acero inoxidable.

NOTA: Los productos de limpieza altamente ácidos o cáusticos pueden atacar el acero, creando una película rojiza. Se debe evitar el uso de estos productos de limpieza.

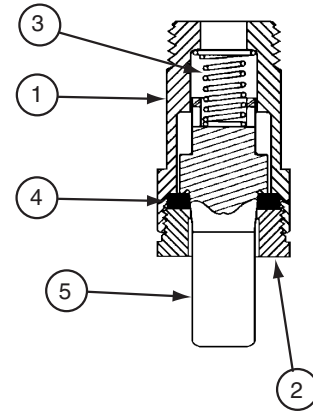
Nombres de marcas: El uso de los nombres de marca está previsto sólo para indicar un tipo de producto de limpieza. Ello no constituye una aprobación ni la omisión del nombre de marca del producto de limpieza significa que sea inadecuado. Muchos productos nombrados son de distribución regional y pueden encontrarse en supermercados, tiendas de departamentos y ferreterías locales, o en el servicio de limpieza. Se enfatiza que todos los productos deben usarse en estricta conformidad con las instrucciones del paquete.

Válvula para jabón — líquido — S09-007S

Lista de piezas

Artículo	Nº de pieza	Descripción	Piezas de conexión S09-007S	
			Cant.	
1	118-025	Cuerpo de la válvula	1	
2	110-007	Tuerca de presión	1	
3	135-001L	Resorte	1	
4	125-001BU	Arandela	1	
5	119-028	Émbolo	1	
*	161-014	Tuerca	1	
*	124-001D	Arandela	2	
*	142-002A	Arandela de acero inoxidable	1	

* No se muestra



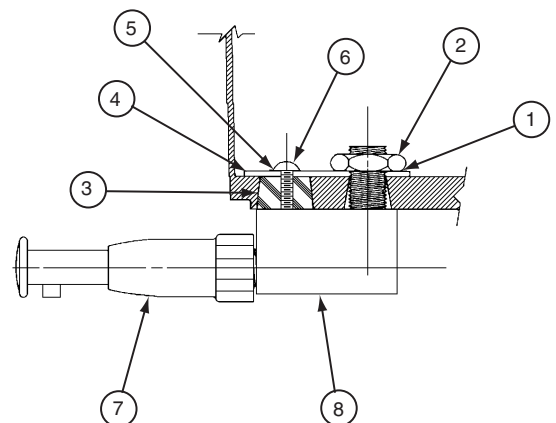
Esta válvula entrega una cantidad medida de jabón con cada golpe hacia arriba. El dispensador de jabón ha sido el estándar en las fuentes de lavado desde 1983 y no es adecuado para jabones líquidos muy espesos.

NOTA: El jabón líquido espeso obstruirá las válvulas de jabón líquido. Use sólo válvulas de jabón líquido con el jabón líquido.

Válvula para jabón — líquido — S09-057S

Lista de piezas

Artículo	Nº de pieza	Descripción	Conjunto de válvula S09-057		Piezas de conexión S09-057S	
			Cant.			
1	124-001D	Arandela	—	1		
2	110-057	Tuerca	—	1		
3	159-114	Tapón	—	1		
4	159-114	Placa de refuerzo	—	1		
5	124-001AT	Arandela	—	1		
6	160-176	Tornillo	—	1		
7	S09-040	Válvula	1		1	
8	S53-045	Adaptador	1		1	



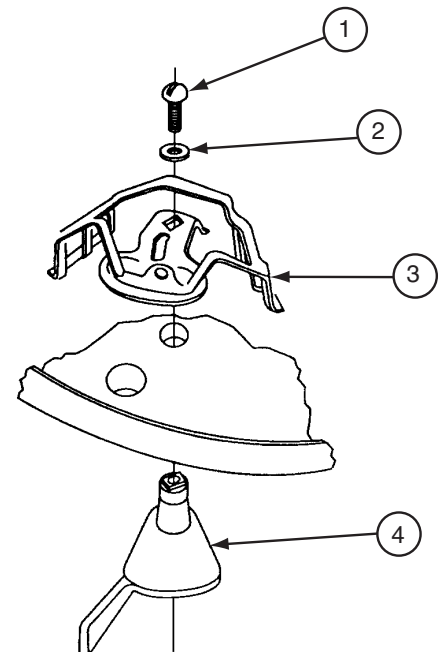
Válvula de jabón — en polvo — S09-010A

Lista de piezas

Artículo	Nº de pieza	Cant.	Descripción
1	160-069	1	Tornillo, 1/4-20 RD
2	142-002X	1	Arandela, 1/4 cierre dividido
3	S62-002	1	Conjunto de agitador/deslizante
4	192-004	1	Palanca de jabón en polvo

NOTA: Contamos con tapones reductores para usarlos con jabón granulado fino para reducir el flujo.

NOTA: Se pueden cambiar las válvulas de polvo a líquido tapando el orificio más interno o “rodamiento”, con un tapón de goma, número de pieza 125-001AK. Para cambiar de líquido a polvo, se debe sacar el tapón. Si no hay uno, será necesario taladrar el orificio del rodamiento con una broca de 1/2" o de 5/8". La configuración del recipiente plástico forma una plantilla natural para ubicar el orificio del rodamiento.



Consejos para el mantenimiento del jabón

RECOMENDACIONES SOBRE EL JABÓN

Los dispensadores de jabón de calidad requieren jabón de buena calidad y mantenimiento periódico para funcionar en forma apropiada. Los dispensadores de jabón de Bradley proporcionarán un funcionamiento confiable y constante a largo plazo si se usa jabón con niveles de viscosidad y de pH razonables y si se realiza una cantidad mínima de mantenimiento periódico en las válvulas.

El espesor del jabón se determina mediante una medición que se llama viscosidad. La viscosidad del jabón debe ser de entre 100 cps (centerpoise) y 2500 cps para todos los dispensadores de jabón de Bradley. Los usuarios perciben los jabones menos espesos como “acuosos”, por lo tanto, tienden a tomar más de lo que necesitan, produciendo derroche. Los jabones espesos fluyen más lento e inhiben la acción de “chorreo” de las válvulas, haciendo que el jabón se espese en la válvula y cause obstrucciones.

El nivel de pH (acidez) del jabón debe estar en el rango de 6,5 a 8,5. Los jabones más ácidos (niveles de pH menores que 6,5) corroerán las piezas metálicas (incluso las de acero inoxidable) y degradarán los componentes de goma y de plástico. También causarán irritación en la piel. La mayoría de los jabones económicos (típicamente del tipo líquido rosado) están en esta categoría ácida y finalmente causarán falla en las válvulas y corrosión en los metales. Los jabones base (niveles de pH mayores que 8,5) causarán dilatación o degradación de las piezas de goma y de plástico e irritación en la piel.

En general, cualquier jabón de calidad que cumpla las normas de viscosidad y pH anteriores funcionará bien con los dispensadores de jabón de Bradley. Los jabones PCMX o antibacterianos en base a isopropanol (dentro de los límites de viscosidad y pH) también funcionarán con los dispensadores de Bradley. Los jabones que cumplan con estas normas básicas proporcionarán flujo constante y reducirán las obstrucciones.

El jabón demasiado espeso o corrosivo, o la falta de mantenimiento, causará la mayoría de los problemas de los dispensadores de jabón. Muchos jabones vienen en forma concentrada, los cuales deben diluirse con agua. A menudo, el jabón se diluye en forma inapropiada o se usa directamente de la botella, lo que causa obstrucciones y falla en las válvulas. Si se usa el jabón adecuado, las válvulas que nunca se han limpiado, en general, son la fuente de los problemas de los dispensadores. Bradley tiene un convenio con Champion Brand Products para prestar servicio al cliente adicional para los compradores de nuestros dispensadores respecto a los problemas con los jabones. Son muy serviciales y pueden llegar al fondo de prácticamente cualquier problema relacionado con los dispensadores de jabón. También venden un excelente jabón “aprobado por Bradley”. Consulte la **Hoja 215-1286 de instrucciones sobre el jabón** para ver detalles respecto a la limpieza de las válvulas de jabón o cómo comunicarse con Champion. Con el mantenimiento y el jabón adecuados, los dispensadores de Bradley proporcionarán funcionamiento a largo plazo sin problemas.

INSTRUCCIONES DE MANTENIMIENTO DE LOS DISPENSADORES DE JABÓN

Los dispensadores de jabón Bradley proporcionarán un funcionamiento confiable y constante a largo plazo si se usa jabón adecuado y si se realiza una cantidad mínima de mantenimiento periódico en las válvulas. Se debe mantener (limpiar) las válvulas para que funcionen en forma apropiada.

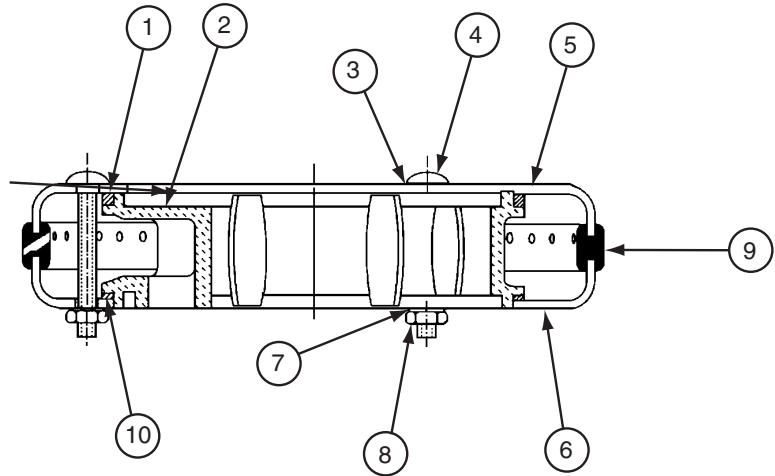
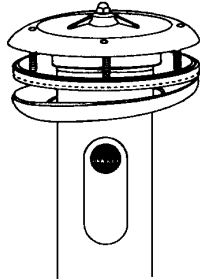
Para garantizar el funcionamiento apropiado del dispensador de jabón, siga estas instrucciones:

- Una vez al mes, destornille la válvula del tanque y remójela durante 30 minutos en agua caliente.
- Presione la válvula al menos 20 veces mientras está en remojo.
- Lave el tanque de jabón con agua caliente mientras la válvula está en remojo.

En casos de obstrucción extrema, se debe desarmar la válvula y se deben remojar las piezas en agua caliente o en una solución de limpieza para recuperar el funcionamiento adecuado. Los dispensadores de jabón que no se van a usar durante períodos prolongados de tiempo (durante las vacaciones de verano de las escuelas, etc.) se deben vaciar, limpiar y dejar vacíos hasta que se vuelvan a poner en servicio. El jabón que queda en la parte exterior de los dispensadores puede causar decoloración y corrosión del tanque (incluso en unidades de acero inoxidable). Se deben limpiar y sacar las manchas de jabón fregando diariamente, luego se debe enjuagar con agua limpia y secar con un paño suave la parte exterior del dispensador.

Boquillas rociadoras — estándares con arandelas aislantes de anillo con rociador de neopreno

NOTA: El equipo de reparación no incluye arandela aislante de boquilla rociadora. Pídala como un artículo separado.



Lista de piezas

Artículo	Nº de pieza	Descripción	Conjunto de boquilla rociadora S05-054B	Equipo de reparación S45-051
			Cant.	
1	125-001DE	Arandela de neopreno superior	1	1
2	139-031	Múltiple de boquilla rociadora	1	—
3	124-001AL	Arandela	3	4
4	160-211	Perno de cabeza de hongo	3	4
5	115-061	Parte superior de la boquilla rociadora	1	—
6	116-008	Parte inferior de la boquilla rociadora	1	—
7	124-001AT	Arandela	3	4
8	161-025	Tuerca	3	4
9	124-020D	Arandela aislante de boquilla rociadora semicircular	1	—
10	125-001DF	Arandela de neopreno inferior	1	1

Sugerencias de reparaciones de la boquilla rociadora

Problema: El agua salpica sobre el borde de la palangana.

Causa: Materia extraña ha reducido el tamaño de las ranuras de la boquilla rociadora, haciendo mayor presión en las ranuras abiertas.

Solución: Limpie la boquilla rociadora:

1. Desarme la boquilla rociadora y despegue cualquier suciedad, aplique calor a las impurezas acumuladas y extrañas con un cepillo de alambre.
2. Las boquillas rociadoras con anillos rociadores de arandelas aislantes de goma se pueden limpiar raspando una moneda sobre la arandela aislante.
3. Disminuya el control de volumen (el rocío del agua debe golpear la palangana sin salpicar fuera de ésta).

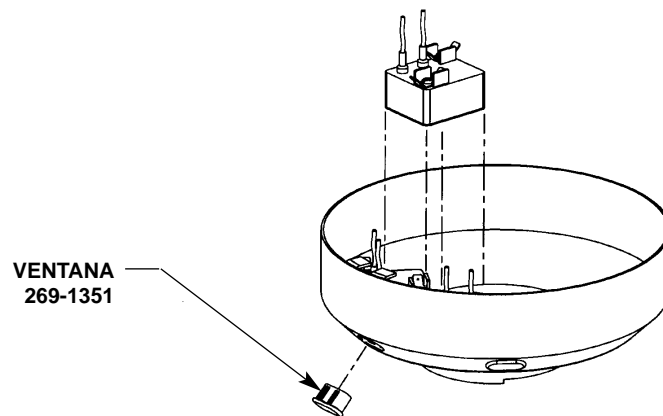
Problema: Disminuye el flujo de agua proveniente de la boquilla rociadora.

Causa: La parte del filtro de la válvula de cierre/de retención con filtro está obstruida.

Solución: Saque y limpie el tamiz del filtro de la válvula de cierre/de retención con filtro.

NOTA: La boquilla rociadora que se muestra arriba incluye una arandela aislante perforada de neopreno en el anillo rociador que se limpia en forma automática. La presión del agua flexiona los orificios de rociado, lo que disminuye la acumulación de materia extraña y tiende a "soltar" cualquier clase de depósito que pueda haberse acumulado.

Componentes del conjunto del módulo IR S50-367



Actuador IR

Localización de fallas del dispositivo IR Adaptive

Hay una luz de diagnóstico con LED incorporado en la pequeña caja negra que aloja los circuitos del sensor. A continuación hay una lista de lo que significan las señales del LED. Use esta lista para localizar las fallas del sensor.

1. No se ilumina el LED — No está llegando energía al sensor. Revise si hay energía en el tomacorriente de la pared de 110 V CA y en los cables del transformador de 24 V CA. Si hay energía de 110 V CA en el tomacorriente de la pared, pero no hay energía desde el transformador, el toque de los conductores del transformador mientras se enchufaba o es posible que una sobretensión transitoria de energía haya quemado el transformador. Agregue protección contra sobretensiones transitorias en el tomacorriente si se sospecha una sobretensión transitoria de energía y cambie el transformador. Si se está recibiendo suministro de energía de 24 V CA desde el transformador, revise si hay conexiones de cables sueltos y compare las conexiones con el diagrama de cableado (consulte la Figura 9b).
2. Parpadeo rápido — El sensor está detectando algo en su mira y el agua debe estar abierta (se está enviando energía hacia el solenoide). Si el sensor está parpadeando rápido, se está abriendo el agua y no hay algo en el área de detección, desconecte la energía por al menos 30 segundos. Esto permitirá que el sensor descargue su memoria y se pueda volver a ajustar. Vuelva a conectar la energía y espere 2 minutos completos para permitir que el sensor reconozca el ambiente antes de intentar activarlo. El sensor se puede demorar hasta 8 minutos en volver a ajustarse si se activa durante esos 2 minutos. Si la condición persiste, asegúrese de que los LED en los extremos de los cables del sensor estén presionados hasta el fondo en las partes posteriores de las lentes. Si el sensor está parpadeando rápido y no se está abriendo el agua, consulte la guía de localización de fallas para el solenoide.
3. Parpadeo lento — El sensor está detectando algo en su mira y el agua debe estar cerrada (no se está enviando energía hacia el solenoide). El sensor ha detectado un objeto fijo en su mira durante más de 30 segundos y cortó la energía hacia la válvula de solenoide. Saque el objeto, si aún está en la palangana y repita la parte del paso 2 para volver a fijar el sensor.
4. Parpadeo SOS (3 cortos, 3 largos, 3 cortos) — El sensor ha detectado una condición de sobrecarga y se apagó para proteger sus circuitos. Compare las conexiones con el diagrama de cableado. Esta condición generalmente significa que la válvula de solenoide no está cableada en forma apropiada. Después de corregir cualquier error de cableado, será necesario reiniciar el sensor repitiendo la parte del paso 2 para volver a ajustar el sensor.

Si necesita ayuda adicional, comuníquese con el representante local de Bradley. Llámenos a la línea 1-800 de Bradley si necesita el nombre y el número de teléfono del representante local de Bradley.

Localización de fallas de la válvula de solenoide



PRECAUCIÓN: Cierre los suministros de agua hacia la unidad antes de localizar las fallas.

Problema: Una estación de funcionamiento individual no se corta y gotea.
Causa: Hay desechos atrapados entre el diafragma y el asiento de la válvula.
Solución: Saque los desechos entre el diafragma y el asiento de la válvula.

1. Saque los tres tornillos de cabeza N° 8 de Phillips que sujetan el conjunto de la válvula solenoide. Tenga cuidado de no soltar la armadura ni el resorte (consulte la Figura 11 en la página 68).
2. Saque el diafragma. Elimine las partículas que hayan quedado atrapadas entre el diafragma y el asiento de la válvula. Enjuague el diafragma e inspecciónelo para ver si tiene daños. Asegúrese de que el orificio del centro y ambos orificios laterales pequeños estén abiertos.
3. Vuelva a armar en el orden inverso, teniendo cuidado de no apretar en exceso los tornillos de cabeza Phillips o puede agrietar el cuerpo plástico de la válvula. Apriete hasta que la placa de la armadura haga contacto con el cuerpo de plástico.
4. Vuelva a conectar el cableado según el diagrama en la página 58.

Problema: Una estación de funcionamiento individual no enciende.
Causa: Hay una bobina fallada en la válvula o alguna conexión eléctrica suelta hacia el terminal.
Solución: Pruebe la estación para determinar la causa.

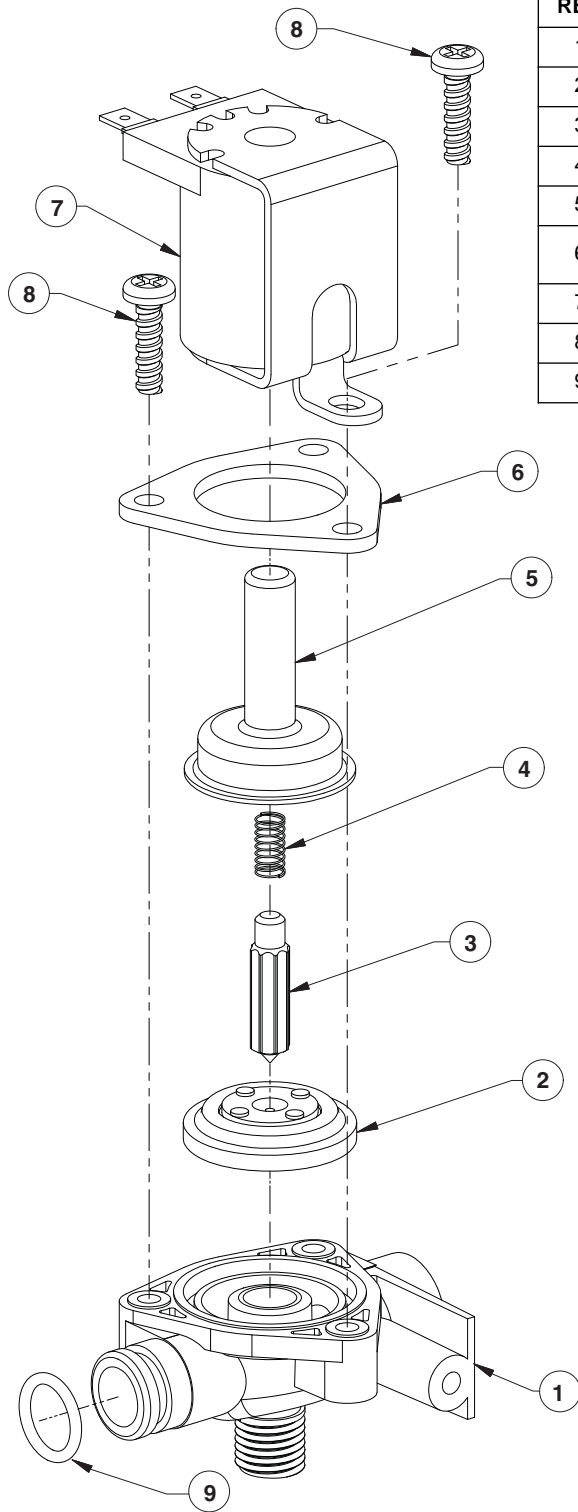
1. Desconecte los cables de la bobina de una válvula adyacente. Desconecte los cables de la válvula con problemas y vuelva a conectar a la válvula adyacente.
2. Conecte los suministros eléctricos y abra los suministros de agua hacia la unidad. Pase la mano frente al sensor de la estación con problemas y debería activarse la estación adyacente.

Si la estación adyacente se activa y realiza un ciclo en forma normal, cambie la bobina de la válvula con problemas.

Si no se activa la válvula adyacente, inspeccione los cables provenientes del cable del sensor y realice lo siguiente:

- asegúrese de que no haya roturas y de que los terminales de desconexión completamente aislados estén firmemente doblados en su lugar;
- desconecte los suministros eléctricos y cierre los suministros de agua;
- vuelva a conectar a la válvula adyacente y abra los suministros de agua hacia la unidad;
- pase la mano frente al sensor. Si la estación aún no se activa, cambie el sensor.

Válvula de solenoide S07-069 (cuerpo cerrado)



REF.	CANT.	Nº DE PIEZA	DESCRIPCIÓN
1	1	118-308	CUERPO DE LA VÁLVULA, 5/16" CERRADA
2	1	269-983	DIAFRAGMA
3	1	269-577	ARMADURA
4	1	269-578	RESORTE
5	1	269-1729	ALOJAMIENTO DE LA ARMADURA
6	1	269-1730	ABRAZADERA DE ALOJAMIENTO DE LA ARMADURA
7	1	269-579	BOBINA DE LA VÁLVULA DE SOLENOIDE
8	3	160-447	TORNILLO Nº 8 X 5/8
9	1	125-165	JUNTA TÓRICA Nº 2-013

Figura 11

Localización de fallas de la válvula mezcladora termostática

NOTA: Antes de intentar de localizar la falla de la válvula o desarmar los componentes, verifique las siguientes condiciones:

- Si se usan las válvulas de cierre/retención, asegúrese de que estén totalmente abiertas.
- Asegúrese de que las tuberías de entrada de agua caliente y fría estén conectadas en forma apropiada y de que no haya conexiones cruzadas o fuga en las válvulas de cierre/retención.
- Revise la salida del calentador de agua caliente para asegurarse de que esté al menos a $-6,7^{\circ}\text{C}$ (20°F) sobre la temperatura establecida.

Asegúrese de cerrar las válvulas de corte apropiadas antes de desarmar la válvula y de volver a abrir las válvulas después que haya terminado la inspección y reparación.

Problema: Flujo de agua limitado

Causa: Se ha acumulado suciedad y desechos en la válvula o en el filtro.

1. Saque y limpie el filtro (consulte la Figura 12 ó 13 en la página 70). Si fuera necesario cambiar el filtro, pida la pieza N° 173-028 de Bradley.
2. Compruebe que el movimiento del pistón sea regular.

Para comprobar que el movimiento del pistón de la válvula sea libre y regular, siga los procedimientos descritos a continuación:

1. Saque la tapa de la válvula y el termostato (consulte la Figura 12 en la página 70).
2. Presione con el dedo el pistón (el pistón debe moverse libremente). Si el movimiento no es como debiera, es necesario limpiar el pistón. Siga el método descrito a continuación para limpiar el pistón y el cuerpo de la válvula:
 - Saque el termostato.
 - Levante el pistón hacia fuera con pinzas de punta de aguja y saque el resorte.
 - Se puede usar cualquier limpiador apropiado para bronce y acero inoxidable (si la limpieza con el producto de limpieza apropiado no es suficiente para eliminar los desechos, se puede usar papel de lija grano 400 para pulir y rectificar el pistón y el cuerpo de la válvula).
 - Ajuste el resorte en el pistón (se asegurará) y vuelva a armar en el cuerpo de la válvula. Vuelva a probar el pistón.
3. Si, después de una limpieza minuciosa, el pistón no se mueve libremente, se debe cambiar el pistón. Comuníquese con el representante de Bradley y consulte por el equipo de reparación (pieza número S65-259).

Problema: Fugas externas en el sistema

Causa: Se han dañado las juntas tóricas.

Solución: Cambie las juntas tóricas donde sea necesario. Para el cambio de las juntas tóricas, comuníquese con el representante de Bradley y consulte por el equipo de reparación (pieza número S65-259).

Problema: Temperatura del agua inapropiada o fluctuación de temperatura

Causa: El termostato está fallando lentamente o simplemente no está funcionando.

Solución: Compruebe que el termostato funcione en forma adecuada.

1. A temperatura ambiente ($26,7^{\circ}\text{C}$ [80°F] o menos) saque la tapa y el termostato.
2. Ponga el termostato en un recipiente con agua a 46°C (115°F). La varilla de empuje debe emerger fuera del termostato aproximadamente 3 mm ($1/10''$).
3. Si la varilla de empuje del termostato no emerge hacia fuera, se debe cambiar el termostato. Comuníquese con el representante de Bradley y consulte por el equipo de reparación (pieza número S65-259).

Causa: No se estableció en forma apropiada la temperatura de la válvula.

*Solución: Ajuste la temperatura. Con un destornillador de paleta, gire el vástago de ajuste **en el sentido contrario al de las agujas del reloj** para **augmentar** la temperatura o **en el sentido de las agujas del reloj** para **disminuirla**.*

Válvula mezcladora termostática Vernatherm™ (S01-524)

Equipo de reparación S65-259

Art.	Cant.	Descripción
5	1	Termostato
7	1	Junta tórica
8	1	Junta tórica

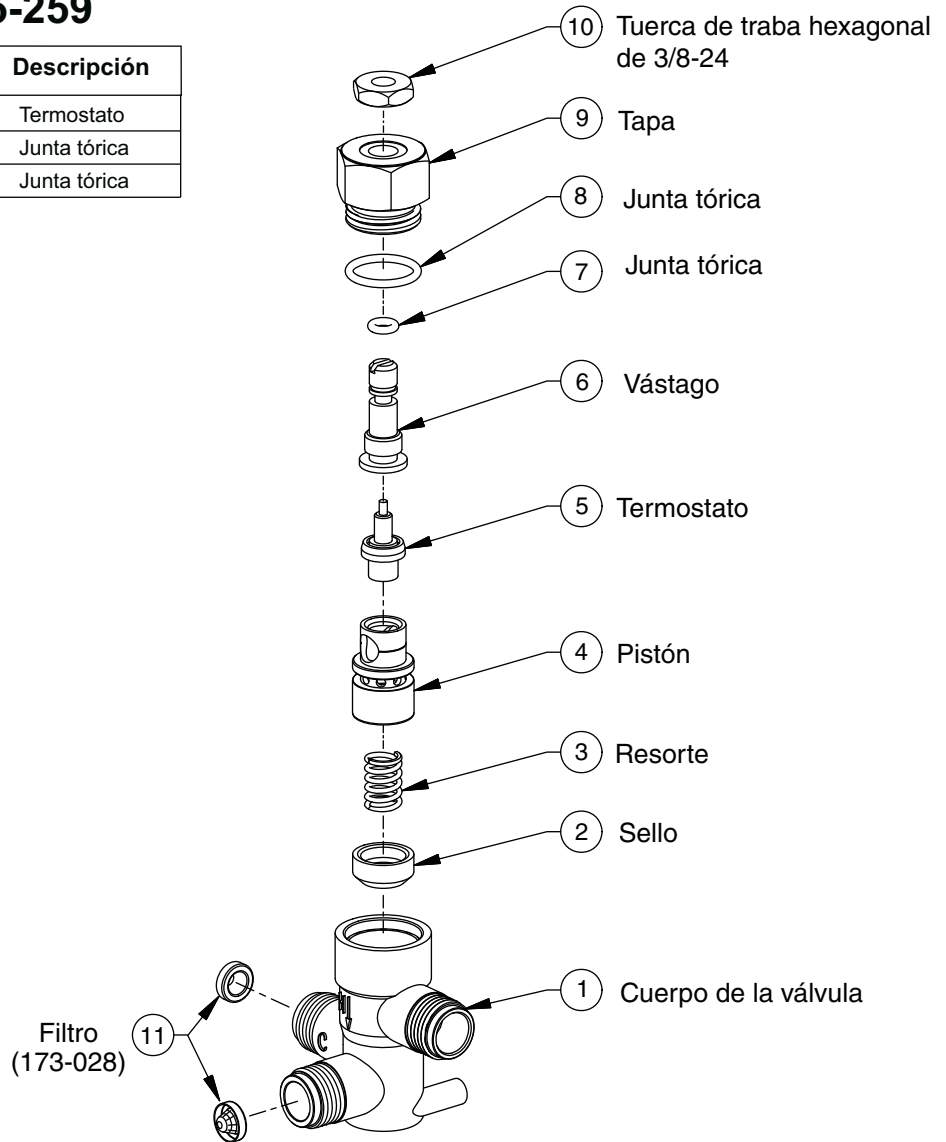
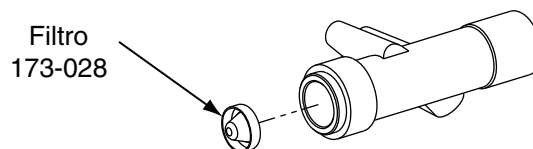


Figura 12

Opción del conjunto del adaptador de tubería templada (S39-685)

Figura 13



Free Manuals Download Website

<http://myh66.com>

<http://usermanuals.us>

<http://www.somanuals.com>

<http://www.4manuals.cc>

<http://www.manual-lib.com>

<http://www.404manual.com>

<http://www.luxmanual.com>

<http://aubethermostatmanual.com>

Golf course search by state

<http://golfingnear.com>

Email search by domain

<http://emailbydomain.com>

Auto manuals search

<http://auto.somanuals.com>

TV manuals search

<http://tv.somanuals.com>