

Installation Instructions

Bradley Drench Shower - Horizontal Supply Model E19-120A

Table of Contents

Pre-Installation Information	2
Installation Instructions	3
Assembly of Components	4
Parts List	4



IMPORTANT

This equipment should be inspected, tested, and recorded weekly to maintain proper operation.

Main water supply to the eye wash should be "ON" at all times.

This installation manual and parts list should be filed by the building owner's maintenance department.



Pre-Installation Information

Operation

The drench shower is easily activated by pulling the triangular pull rod downward, and deactivated by pushing the triangular pull rod upward.

Components

Showerhead: The corrosion-resistant stainless steel showerhead has a 254 mm (10") diameter.

Shower Valve: The 1" IPS stay-open valve is operated by a stainless steel pull rod with a triangle handle.

Water Supply: Water supply connection is 1" BSP horizontal.

Pipe and Fittings: Pipe and fittings are galvanized steel, coated with Bradtect™ safety yellow.

Check Contents

Separate all parts from packaging and check each part with Figure 2 and the Parts List on page 4. Make sure all parts are accounted for before discarding any packaging material. If any parts are missing, do not attempt to install your Bradley Drench Shower until you obtain the missing parts.

Bradley Drench Shower Warranty

Bradley Corporation warrants to commercial and institutional purchasers only each fixture free from defects in material and workmanship under normal use and service upon the following terms and conditions:

1. We will replace, without charge, any part which proves to be defective within one year from the date of our invoice at our option, F.O.B. Menomonee Falls, Wisconsin.
2. This warranty does not cover installation or any other labor charge and does not apply to fixtures which have been damaged by accident, abuse or improper maintenance.
3. The repair or replacement of the defective fixtures as stated in this warranty shall constitute the sole remedy of the purchaser, and the sole liability of the Bradley Corporation under this warranty. Bradley Corporation shall not otherwise be liable under any circumstances for incidental, consequential or indirect charges caused by defects in fixtures or any delay in the repair or replacement thereof.
4. This warranty extends only to commercial and institutional purchases and does not extend to any others, including consumer, customers of commercial and institutional purchasers.
5. This warranty is in lieu of all other warranties expressed or implied, including any implied warranty of merchant's ability or fitness for a particular purpose, or otherwise.
6. Bradley emergency fixtures are to be used as a supplement to first aid treatment. Bradley Corporation cannot guarantee that when used this emergency equipment will prevent serious injury or the aggravation of existing or prior injuries. No other warranties, expressed or implied are authorized, provided or guaranteed by Bradley Corporation.

Installation Instructions

Supplies Required:

- Pipe sealant
- Piping to 1" BSP water supply inlet on unit
- Adequate supply pipe supports
- Minimum 102 mm (4") drain to accommodate 115 liters per minute discharge for drench shower waste

Step 1: Assemble drench shower

NOTE: Flush the water supply line before beginning installation.

1. Assemble drench shower components as shown in Figure 2 on page 4.
2. Apply pipe sealant or tape (supplied by installer) to all male-threaded pipe joints.

NOTE: Use a strap wrench around the pipes when tightening to prevent mm-ring.

3. The bottom edge of the showerhead should be 2134 mm (7'-0") from the floor.

Step 2: Connect water supply



IMPORTANT: Do not rely on Bradley's Drench Shower to support supply piping.

1. Connect water supply piping to 1-1/4" BSP inlet on unit (piping supplied by installer). Provide adequate supports (supplied by installer) for supply pipe using pipe hangers or other means.
2. Mount safety sign to wall or pipe using sign mounting hardware supplied.
3. Open water supply lines. Test for leaks and adequate water flow.

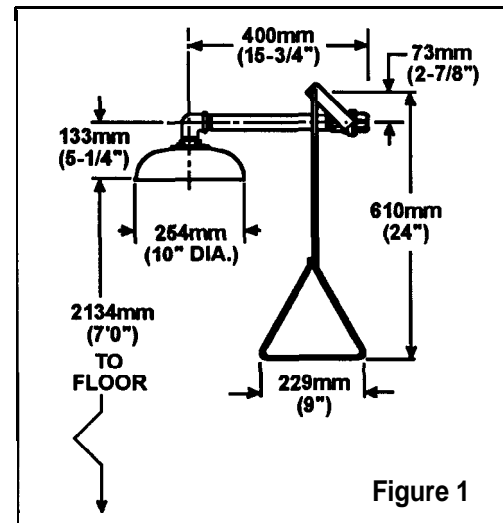


Figure 1

Installation Instructions *continued..*

Assembly of Components

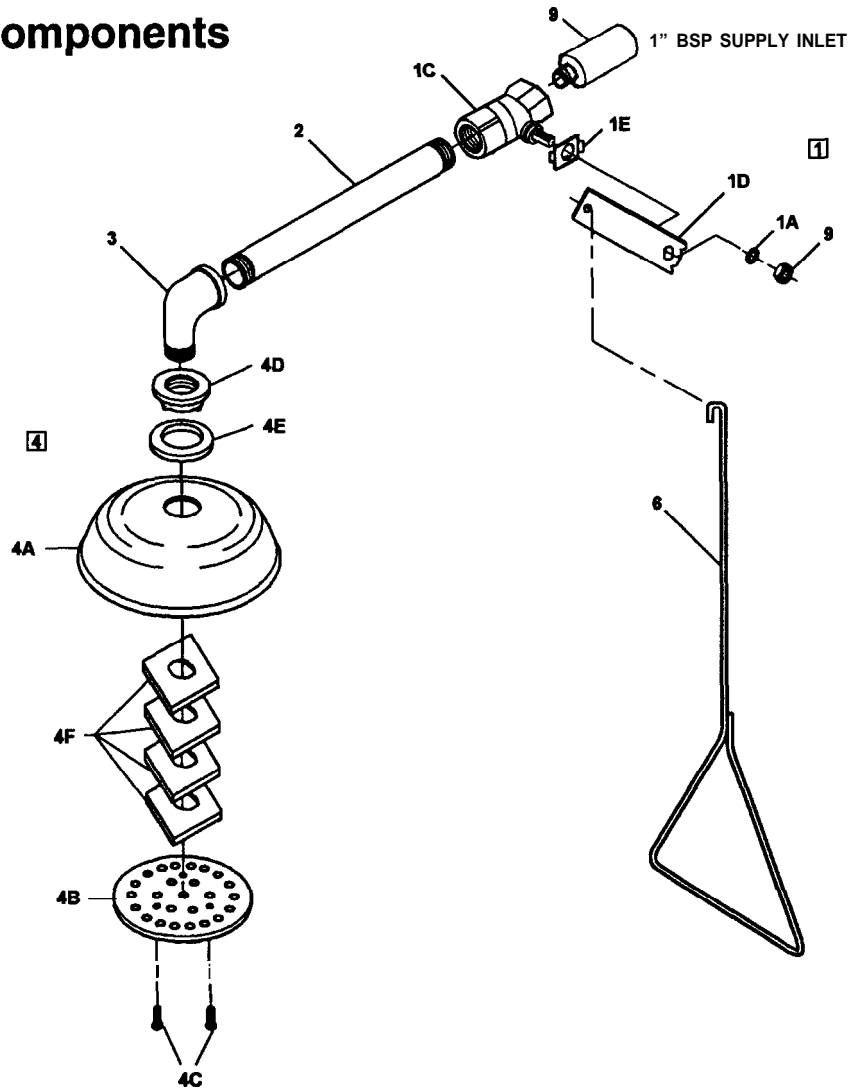


Figure 2

Service Parts List

ITEM	PART NO.	QTY.	DESCRIPTION	ITEM	PART NO.	QTY.	DESCRIPTION
1	S30-059	1	STAY-OPEN BALL VALVE	4c	160-138	2	SCREW
1A	142-002DC	1	LOCKWASHER	4D	153-235	1	ADAPTER
1C	S27-278	1	1" BALL VALVE	4E	125-001DP	1	WASHER
1D	128-129	1	HANDLE	4F	157-005	4	DIFFUSER PADS
1E	140-720	1	STOP BRACKET	5*	S45-314	1	SIGN-MOUNTING HARDWARE
2	113-006LKE	1	PIPE 1" IPS	8	128-156A	1	PULL ROD - 609mm LONG
3	189-723	1	90° STREET ELBOW 1" IPS	7'	204-421	1	EMERGENCY TAG
4	S24-084E	1	STN. STL SHOWERHEAD ASSY.	8'	114-050E	1	SAFETY SIGN
4A	187-053	1	SHOWERHEAD SHELL	9	153-298	1	BSP ADAPTOR
4B	155-008	1	DIFFUSER	10	110-214	1	JAM NUT

* Not Shown

Free Manuals Download Website

<http://myh66.com>

<http://usermanuals.us>

<http://www.somanuals.com>

<http://www.4manuals.cc>

<http://www.manual-lib.com>

<http://www.404manual.com>

<http://www.luxmanual.com>

<http://aubethermostatmanual.com>

Golf course search by state

<http://golfingnear.com>

Email search by domain

<http://emailbydomain.com>

Auto manuals search

<http://auto.somanuals.com>

TV manuals search

<http://tv.somanuals.com>