

# **Bravetti**<sup>TM</sup>

## **12 Cup Coffee Maker**

### **OWNER'S MANUAL**

**Model: CM80H**

**120V., 60Hz., 900 Watts**



**EURO-PRO Operating LLC**

94 Main Mill Street, Door 16

Plattsburgh, NY 12901

Tel.: 1 (800) 798-7398

**EURO-PRO** 





## ONE (1) YEAR LIMITED WARRANTY

**EURO-PRO OPERATING LLC** warrants this product to be free from defects in material and workmanship for a period of one (1) year from the date of purchase when utilized for normal household use.

If your appliance fails to operate properly while in use under normal household conditions within the warranty period, return the complete appliance and accessories, freight prepaid to U.S.: **EURO-PRO Operating LLC, 94 Main Mill Street, Door 16, Plattsburgh, NY 12901** Canada: **EURO-PRO Operating LLC, 4400 Bois Franc, St. Laurent, Qc, H4S1A7** If the appliance is found to be defective in material or workmanship, **EURO-PRO Operating LLC** will repair or replace it free of charge. Proof of purchase date and \$16.95 to cover the cost of return shipping and handling must be included.\*

The liability of **EURO-PRO Operating LLC** is limited solely to the cost of the repair or replacement of the unit at our option. This warranty does not cover normal wear of parts and does not apply to any unit that has been tampered with or used for commercial purposes. This limited warranty does not cover damage caused by misuse, abuse, negligent handling or damage due to faulty packaging or mishandling in transit.

This warranty is extended to the original purchaser of the unit and excludes all other legal and/or conventional warranties. The responsibility of **EURO-PRO Operating LLC** if any, is limited to the specific obligations expressly assumed by it under the terms of the limited warranty. **In no event** is **EURO-PRO Operating LLC** liable for incidental or consequential damages of any nature whatsoever. Some states or provinces do not permit the exclusion or limitation of incidental or consequential damages, so the above may not apply to you.

This warranty gives you specific legal rights, and you may also have other rights which vary from province to province or state to state.

**\*Important: Carefully pack item to avoid damage in shipping. Be sure to include proof of purchase date and to attach tag to item before packing with your name, complete address and phone number with a note giving purchase information, model number and what you believe is the problem with item. We recommend you insure the package (as damage in shipping is not covered by your warranty). Mark the outside of your package "ATTENTION CUSTOMER SERVICE". We are constantly striving to improve our products, therefore the specifications contained herein are subject to change without notice.**



## OWNERSHIP REGISTRATION CARD

Please fill out and mail the product registration card within ten (10) days of purchase. The registration will enable us to contact you in the unlikely event of a product safety notification. By returning this card you acknowledge to have read and understood the instructions for use, and warnings set forth in the accompanying instructions.

**EURO-PRO Operating LLC, 94 Main Mill Street, Door 16, Plattsburgh, NY 12901**

CM80H

Appliance model

Date purchased

Name of store

Owner's name

Owner's name

City

State

Zip code

# IMPORTANT SAFETY INSTRUCTIONS

When using electrical appliances, basic safety precautions should always be followed, including the following:

1. Read all instructions for use carefully and look at the illustrations before you start using the appliance.
2. To protect against risk of electrical shock, **do not** immerse power cord, plug or coffee maker in water or any other liquid.
3. Close supervision is necessary when any appliance is used by or near children.
5. **Unplug** from outlet when not in use, before putting on or taking off accessories and before cleaning the appliance.
6. **Do not** operate any appliance with a damaged cord or plug, or after the appliance malfunctions, has been dropped or damaged in any manner. Return the appliance to the manufacturer at the address indicated on the warranty page for examination, repair or adjustment.
7. The use of accessory attachments not recommended by the appliance manufacturer may cause injuries.
8. **Do not** touch hot surfaces. Use handles or knobs.
9. **Do not** leave appliance unattended while in use.
10. **Do not** use outdoors.
11. **Do not** let cord hang over the edge of the table, counter or touch hot surfaces.
12. **Do not** place on or near a hot gas or electric burner, or in a heated oven.
13. Always plug cord into the wall outlet before turning on any controls. To disconnect turn power control to OFF, then remove plug from wall outlet.
14. Always use cold water to make coffee. Warm water or other liquids could cause damage to the coffee maker.
15. Scalding may occur if the cover is lifted or removed during the brewing cycle.
16. **Do not** use appliance for other than intended household use.

**WARNING: To avoid breakage of, or injury from glass carafe follow these precautions:**

- **Do not** set a hot carafe on a wet cold surface.
- **Do not** place hot carafe on or near paper, cloth, or other flammable material.
- **Never** use the carafe on a range top or in a microwave oven.
- **Do not** allow liquid to evaporate from carafe. **Do not** heat carafe when empty.
- **Do not** move entire unit when carafe contains hot liquid.
- Use the lid on the glass carafe while brewing and pouring coffee.
- Discard carafe if damaged in any manner, or a carafe having a loose or weakened handle. A chip or crack could result in breakage or contaminate liquid contents with glass particles.

**WARNING: TO REDUCE THE RISK OF FIRE OR ELECTRIC SHOCK:**

1. **DO NOT REMOVE THE BOTTOM COVER.**
2. **NO USER SERVICEABLE PARTS INSIDE. REPAIR SHOULD BE DONE BY AN AUTHORIZED SERVICE TECHNICIAN ONLY.** Call customer service at: 1 (800) 798-7398 for service information.
3. **CAUTION: Do not immerse in any liquid.**

This unit has a short power supply cord to reduce the risk resulting from becoming entangled in or tripping over a long cord. An extension cord may be used if you are careful in its use:

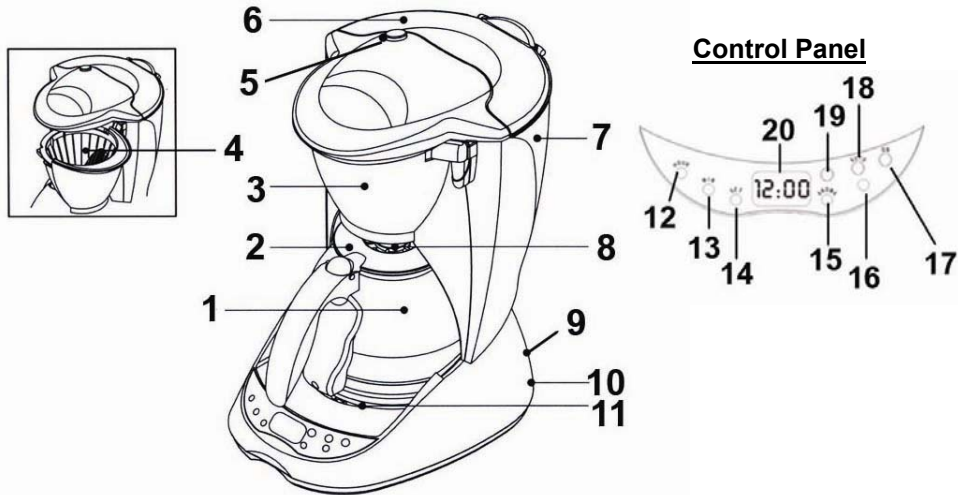
1. The electrical rating of the extension cord should be at least as great as the electrical rating of the appliance.
2. An extension cord with the power cord must be arranged so that it will not drape over the countertop or tabletop where they can be pulled on by children or tripped over accidentally.

## SAVE THESE INSTRUCTIONS FOR HOUSEHOLD USE ONLY



This appliance has a polarized plug (one blade is wider than the other). To reduce the risk of electric shock, this plug is intended to fit into a polarized outlet only one way. If the plug does not fit fully into the outlet, reverse the plug. If it still does not fit, contact a qualified electrician. **Do not attempt to modify the plug in any way.**

## GETTING TO KNOW YOUR COFFEE MAKER



1. Glass Carafe
2. Carafe Lid
3. Filter Basket Door
4. Filter Basket
5. Filter Basket Door Release Button
6. Water Reservoir Cover
7. Illuminated Water Reservoir
8. Brew Pause Activator
9. Easy-Glide Wheel
10. Cord Storage
11. Non-Stick Warming Plate

### Control Panel

12. Set Hour Button
13. Set Minute Button
14. Advance Timer Button
15. Brew Strength Button
16. Auto/Power Button
17. Advance Timer On Indicator Light
18. Power On Indicator Light
19. Brew Strength Indicator Light
20. Digital Clock/Advance Timer Display

Illustrations may differ from actual product.

### Technical Specifications

Voltage: 120V., 60Hz.  
Power: 900 Watts

## OPERATING INSTRUCTIONS

### Tips for Great Coffee

- Before using your appliance for the first time, rinse the coffee machine 2 or 3 times without coffee grounds.
- Only fill the water tank with cold water.
- Using filtered water improves the taste of coffee or tea.
- Ensure that the lid is securely on the carafe to ensure proper operation of the anti-drip function.
- A dash of salt in the coffee grounds before brewing can eliminate bitterness.
- A clean coffee maker ensures better tasting coffee.
- Fresh coffee grounds greatly improves the taste of a pot of coffee.

### TROUBLESHOOTING GUIDE

PROBLEM	POSSIBLE REASON	POSSIBLE SOLUTION
"On" light and illuminated water reservoir does not illuminate.	<ol style="list-style-type: none"> <li>1. The unit is not firmly plugged in.</li> <li>2. No electricity in the wall outlet.</li> <li>3. Blown fuse/tripped circuit breaker.</li> </ol>	<ol style="list-style-type: none"> <li>1. Plug the unit firmly into the outlet.</li> <li>2. Check fuse or breaker</li> <li>3. Replace fuse/reset circuit breaker.</li> </ol>
Coffee is not brewing	<ol style="list-style-type: none"> <li>1. The water reservoir is empty.</li> <li>2. The filter basket is not properly inserted.</li> <li>3. The carafe is not placed all the way on the warming plate.</li> </ol>	<ol style="list-style-type: none"> <li>1. Fill the water reservoir with water.</li> <li>2. Seat the filter basket correctly into the filter basket compartment.</li> <li>3. Place the carafe correctly onto the warming plate.</li> </ol>
Coffee maker only brews water	<ol style="list-style-type: none"> <li>1. No grounds in filter basket.</li> </ol>	<ol style="list-style-type: none"> <li>1. Place filter with grounds into the filter basket.</li> </ol>
Coffee maker brews slowly	<ol style="list-style-type: none"> <li>1. Coffee maker needs cleaning.</li> </ol>	<ol style="list-style-type: none"> <li>1. Follow cleaning instructions to decalcify the unit.</li> </ol>
Filter basket overflows	<ol style="list-style-type: none"> <li>1. The filter basket is not properly inserted.</li> <li>2. Carafe is not placed all the way on the warming plate.</li> <li>3. Carafe lid not on carafe.</li> <li>4. Too many grounds placed in filter.</li> <li>5. Carafe was removed from warming plate for longer than 30 seconds.</li> </ol>	<ol style="list-style-type: none"> <li>1. Insert the filter basket correctly.</li> <li>2. Ensure that the carafe is placed all the on the warming plate.</li> <li>3. Place carafe lid onto carafe correctly.</li> <li>4. Reduce the amount of grounds in the filter.</li> <li>5. Ensure that carafe is quickly replaced onto the warming plate to prevent overflow.</li> </ol>
Burning coffee smell	<ol style="list-style-type: none"> <li>1. Empty carafe was left on a hot warming plate.</li> <li>2. Coffee was spilled on the warming plate.</li> </ol>	<ol style="list-style-type: none"> <li>1. Wash carafe thoroughly and wait for warming plate to cool before replacing.</li> <li>2. Wipe warming plate with a damp clean cloth.</li> </ol>
Coffee tastes bad	<ol style="list-style-type: none"> <li>1. Coffee grounds other than automatic drip was used.</li> <li>2. Ground coffee-to-water ratio is not correct.</li> </ol>	<ol style="list-style-type: none"> <li>1. Use only grounds for an automatic drip coffee maker.</li> <li>2. Use appropriate coffee amounts for cups required.</li> </ol>
Grounds found in coffee	<ol style="list-style-type: none"> <li>1. Paper filter was not properly inserted into filter basket.</li> <li>2. Filter overflowed.</li> </ol>	<ol style="list-style-type: none"> <li>1. Dampen the paper filter before inserting into the filter basket.</li> <li>2. Discard coffee when filter overflows.</li> </ol>

## Using the Coffee Maker To Make Tea

Make sure that the filter basket, lid and carafe has been completely cleaned in warm soapy water, especially if it was used to make coffee previously.

1. Depress the filter basket door release button to swing open the filter door.
  2. Place tea bag(s) into the filter basket.
- NOTE:** If loose tea is used, place a paper filter in the filter basket before measuring the loose tea required.
3. Fill the illuminated water reservoir with the right amount of water depending on serving needs.
  4. Depress the auto/power button to desired mode, advance timer or power on.
  5. An alternate suggestion is to place the tea, loose or bags directly into the carafe, allowing water to flow into the carafe to steep the tea.

## Cleaning the Coffee Maker

**CAUTION:** Always make sure the coffee maker is unplugged and warming plate is cool before attempting to clean.

**WARNING:** To protect against electric shock, do not immerse cord, plug or unit into water or other liquids.

1. The outside of the coffee maker can be cleaned with wiping the outside surface with a damp, soft cloth.
2. The glass carafe, carafe lid and removable filter basket may be washed with warm, soapy water or placed in the top rack of the dishwasher. **Do not** place any other parts of the coffee maker in the dishwasher.
3. To clean the permanent filter, empty the grounds and rinse thoroughly.
4. **Do not** clean the inside of the water reservoir with a cloth as the cloth may have a lint residue that could block the coffee maker.
5. For stubborn stains, use a nylon or plastic pad with a non-abrasive cleaner, **Do not** use metal scouring pads or abrasive cleansers.

## To Remove Calcium Build-up from Coffee Maker

Calcium deposits may build up in the coffee maker as a result of minerals commonly found in drinking water. The build-up is normal and may result in a slow down on the coffee maker's brewing time, or the taste of the coffee. This can be eliminated by periodically decalcifying the coffee maker.

1. Fill the carafe with cold water and two tablespoons of plain, white household vinegar.
2. Pour the solution into the water reservoir, then close the reservoir cover.
3. Place the carafe on the warming plate and allow the coffee maker to brew the vinegar solution.
4. **Do not** use a filter when decalcifying.
5. When the vinegar solution has finished brewing, empty the carafe and rinse out with cold water.
6. Refill the illuminated water reservoir with cold water only and run another brew cycle to remove any remaining vinegar solution.

## To Remove Calcium Build-up from Carafe

Hard water or repeated use can leave a white stain on the carafe, which will turn brown from the coffee or tea. To clean the carafe:

1. Fill the carafe with a solution of equal parts of tap water and vinegar and let the carafe stand with the solution for 20-30 minutes.
2. Use a soft brush to brush the inside of the carafe to further loosen the build-up.
3. Discard the solution and wash the carafe with warm soapy water then rinse well.

**NOTE:** Frequency of cleaning required depends on frequency of use and cleaning between brews.

## SUGGESTED CLEANING INTERVALS:

Type of Water	Cleaning Frequency
Soft Water:	After 80 brews
Hard Water:	After 40 brews

## General Features

1. **Two (2) Hour Automatic Shut-Off**  
For safety, this coffee maker has been designed with an auto shut-off feature. The coffee maker shuts off automatically 2 hours after the brewing cycle has completed, for both the regular and advance timer mode. To restart simply press the power button until the "On" light illuminates.
  2. **Brew Pause**  
This feature allows you to interrupt the brewing cycle and pour a cup of coffee before the pot of coffee has completed brewing. To restart the brewing process, return carafe to warming plate and coffee will automatically begin flowing through the filter basket. Make sure the carafe is placed correctly on the warming plate.
- NOTE:** Do not remove the carafe for longer than 30 seconds or the filter basket may overflow.
3. **Digital Clock/Advance Timer Display**  
The 24-hour digital clock found on the front of the unit will keep the correct time, even after the unit has been shut off. The timer can be programmed up to 24 hours in advance to automatically start brewing fresh, hot coffee.
  4. **Illuminated Water Reservoir**  
The large easy-to-read numbers indicate how many cups of water have been poured into the coffee maker.
  5. **Illuminated Water Reservoir and Power "On" Light**  
There are two ways to easily see if the coffee maker is on, the power "On" indicator light and the illuminated water reservoir. When the unit is on, both will light up.
  6. **Flavor Seal**  
The carafe lip and lid seal to help preserve the coffee's natural flavor and temperature by preventing excessive evaporation.

7. **Easy Pour Carafe**  
The unique design of the carafe with the all-around lip and traditional pour spout allow you to conveniently pour without spilling. The easy grip handle is for added comfort. Cup markings on each side of the handle make it easier to measure the water level when filling the carafe.
9. **Non-Stick Warming Plate**  
Spilled coffee will not stick to the surface of the warming plate, just wipe with a damp cloth to clean.
10. **Cord Storage**  
Hidden cord storage allows you to hide excess cord for a cleaner counter top.
11. **Swing Away Basket and Filter Basket Release Button**  
The filter door swings for convenient filling. The filter basket release button allows you to open the filter basket with one quick motion.
12. **Cone Filter Basket**  
Cone shaped filter basket enriches flavor and prevents bitter taste. A standard #4 cone-shaped filter must be used.
13. **Brew Strength Button**  
The brew strength button enhances the flavor of the coffee when a richer tasting coffee brew is preferred.

## OPERATING INSTRUCTIONS

### Control Panel Features

Familiarize yourself with the control panel before using your coffee maker.

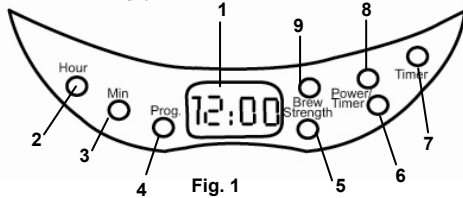


Fig. 1

#### 1. Digital Clock/Advance Timer Display

A 24 hour clock display and display for the advance timer feature.

#### 2. Set Hour Button

This button allows you to set the clock for the hour time and to pre-program the coffee maker's advance timer hour.

#### 3. Set Minute Button

This button allows you to set the clock for the minute time and to pre-program the coffee-maker's advance timer in minutes.

#### 4. Advance Timer Button

This button programs the coffee maker up to 24 hours before the desired brewing time. Hold down this button while adjusting the time – hour and minutes to begin the advance timer action.

#### 5. Brew Strength Button

The brew strength button is used to enhance the flavor of the coffee.

#### 6. Auto/Power "On" Button

This button controls three modes:

##### A. Auto Mode

Depress this button once to activate the **Auto Mode**. Use to set the advance timer.

##### B. Power "On" Mode

Depress twice to activate the **Power "On" Mode**. This begins the brew cycle immediately.

##### C. Power "Off" Mode

Depress three (3) times to activate the **Power "Off" Mode**. This shuts off the unit completely, including the warming plate.

#### 7. Advanced Timer Indicator Light

This timer indicates that the coffee maker is in a delayed brewing cycle. To verify what time the brew cycle will begin depress the advanced timer button.

#### 8. Power "On" Indicator Light

This light indicates that the unit is turned on.

#### 9. Brew Strength Indicator Light

This indicator lights up when the brew strength feature has been selected for brewing.

### How to Set the Clock

When the unit is first plugged in, the display will read 0:00 and begin to flash. To set the correct time of day:

1. Press and hold the set hour button until the correct hour is displayed.
2. Press and hold the set minute button until the correct minute is displayed.

**NOTE:** Unplugging the unit will reset the clock to "0:00" and flashing will resume.

### Preparing Your Coffee Maker

Before using the coffee maker for the first time:

1. Carefully unpack the coffee maker and remove all packaging materials.
2. Thoroughly clean the carafe, carafe lid, and filter basket with warm, soapy water. Rinse well and dry.

**CAUTION: Do not** use harsh or abrasive cleaners as this could damage the glass carafe.

3. Wipe the warming plate with a clean damp cloth.

**WARNING: DO NOT** immerse the coffee maker in water or other liquids.

4. Before brewing your first pot of coffee, run a full carafe of cold water through the system 2 or 3 times, without a filter or coffee grounds. This will remove any dust or sediment that may have settled in the components during the shipping process.

## OPERATING INSTRUCTIONS

### Using the Coffee Maker

Select a level, flat surface to place the coffee maker, preferably near an outlet.

1. Replace the lid after cleaning and ensure that it is secured to the carafe.
2. Replace the filter basket into the filter basket compartment.
3. Lift up the hinged water reservoir cover.
4. Fill the glass carafe with as much water as is needed for the amount of servings.
5. Empty the water from the carafe into the illuminated water reservoir. The water window indicates how much water is in the reservoir. (Fig. 2)

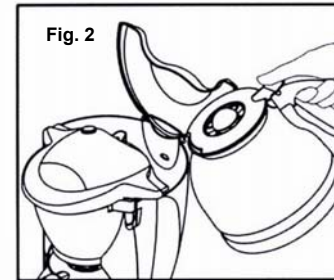


Fig. 2

6. Close the water reservoir cover.
7. Place the glass carafe with the lid in place onto the warming plate.

**CAUTION:** The small opening at the rear of the illuminated water reservoir prevents accidental overflow of coffee into the filter and/or carafe. **Do not** overfill the illuminated water reservoir.

### Putting in the Coffee

1. Press the filter basket door release button and insert a #4 cone shaped paper filter into the filter basket.
2. Fill the filter with the required amount of coffee depending on amount. (Fig. 3)

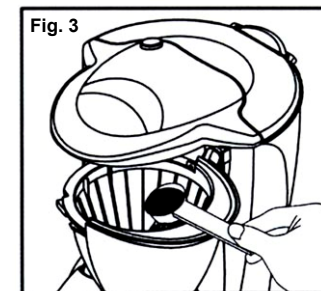


Fig. 3

**Tip:** When you use a paper filter, it is important that the filter fit flush against the sides of the filter basket. If the filter collapses, for best results, dampen the filter before placing it in the filter basket and adding the ground coffee.

3. For best results use coffee that is ground for use with automatic drip coffeemakers. (See chart below for suggested amounts)

NUMBER OF CUPS	TABLESPOONS
12	9
10	7
8	6
6	4
4	3
2	1.5
<b>One Cup = Five ounces brewed coffee</b>	

4. Swing the filter basket door closed until it snaps into place.

**CAUTION:** Do not operate your coffee maker if the door does not close completely. If the door does not close completely, check to see that the filter basket is properly seated, and snap the door back into place.

5. Depress the auto/power button twice (2x) to activate the brew cycle.

### Advance Timer Mode

1. Press and hold the advance timer button, while continuing to hold the advance timer button– press the set hour button until the desired brew time hour is displayed.
2. Press the set minute button until the desired minute has been displayed.
3. Release the advance timer button.
4. Press the auto/power button once, the advance timer "On" indicator light will illuminate. This indicates that the coffee maker is waiting for the preset brew time to be reached before it will begin the brew cycle.

**CAUTION:** If the auto/power "On" button is pressed before the advance timer button, the advance timer mode **will not** activate.



## Free Manuals Download Website

<http://myh66.com>

<http://usermanuals.us>

<http://www.somanuals.com>

<http://www.4manuals.cc>

<http://www.manual-lib.com>

<http://www.404manual.com>

<http://www.luxmanual.com>

<http://aubethermostatmanual.com>

Golf course search by state

<http://golfingnear.com>

Email search by domain

<http://emailbydomain.com>

Auto manuals search

<http://auto.somanuals.com>

TV manuals search

<http://tv.somanuals.com>