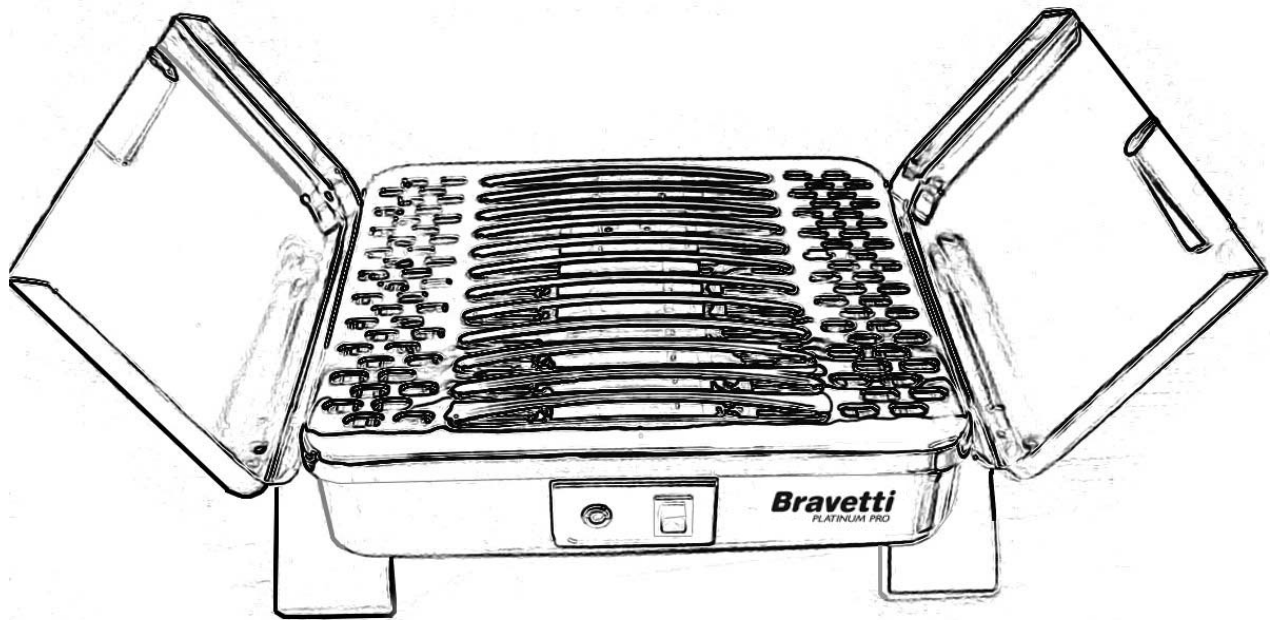


BravettiTM

PLATINUM PRO

Plate Warmer

Use and Care Instructions
Model BR220



EURO-PRO Operating LLC
Boston, MA, 02465
1 (800) 798-7398
www.euro-pro.com

COPYRIGHT © EURO-PRO OPERATING LLC 2008

IMPORTANT SAFEGUARDS

When using electrical appliances, basic safety precautions should always be followed, including the following:

1. Read all instructions before using the appliance. It is suggested that you keep these instructions in a safe place for future reference.
2. Your voltage must correspond to the voltage printed on the bottom of the appliance.
3. To protect against electrical shock, do not immerse the unit, cord or plug in water or other liquid.
4. Close supervision is necessary when the appliance is used by or near children.
5. Unplug appliance from outlet when not in use and before cleaning. Allow to cool before putting on or taking off parts and before cleaning the appliance.
6. Do not operate the appliance with a damaged cord or plug, or after the appliance malfunctions, has been dropped or damaged in any manner. Return the appliance to **EURO-PRO Operation LLC** for examination, repair or mechanical adjustment. See warranty.
7. The use of accessory attachments not recommended by the manufacturer may cause fire, electric shock or injury to persons.
8. Do not let cord hang over the edge of the table or counter or touch hot surfaces.
9. Do not place on or near a hot gas or electric burner or in a heated oven.
10. To disconnect, push the "On/Off" button to the "Off" position. Then remove plug from the wall outlet.
11. Do not operate appliance in any way other than intended use.
12. When using this appliance, provide adequate air space above and on all sides for air circulation. On surfaces where heat may cause a problem, an insulated hot pad is recommended.
13. Do not use outdoors.
14. Never touch the exterior of the plate warmer during its operation and before it cools after switching to its "Off" position.
15. This appliance becomes hot when in use. Use caution when using to reduce the risk of injury.
16. Do not use to cook or keep food warm.

This appliance has a polarized plug (one blade is wider than the other). To reduce the risk of electric shock, this plug is intended to fit into a polarized outlet only one way. If the plug does not fit fully into the outlet, reverse the plug. If it still does not fit, contact a qualified electrician. Do not attempt to modify the plug in any way.

SPECIAL SAFETY INSTRUCTIONS

A short power supply cord is provided to reduce the hazards resulting from becoming entangled in or tripping over a longer cord. Longer extension cords are available and may be used if care is exercised in their use. If a long extension cord is used, (1) the marked electrical rating of the extension cord should be at least as great as the electrical rating of the appliance, and (2) the longer cord should be arranged so that it will not drape over the counter top of tabletop where it can be pulled by children or tripped over accidentally.

SAVE THESE INSTRUCTIONS

FOR HOUSEHOLD USE ONLY

Main Components

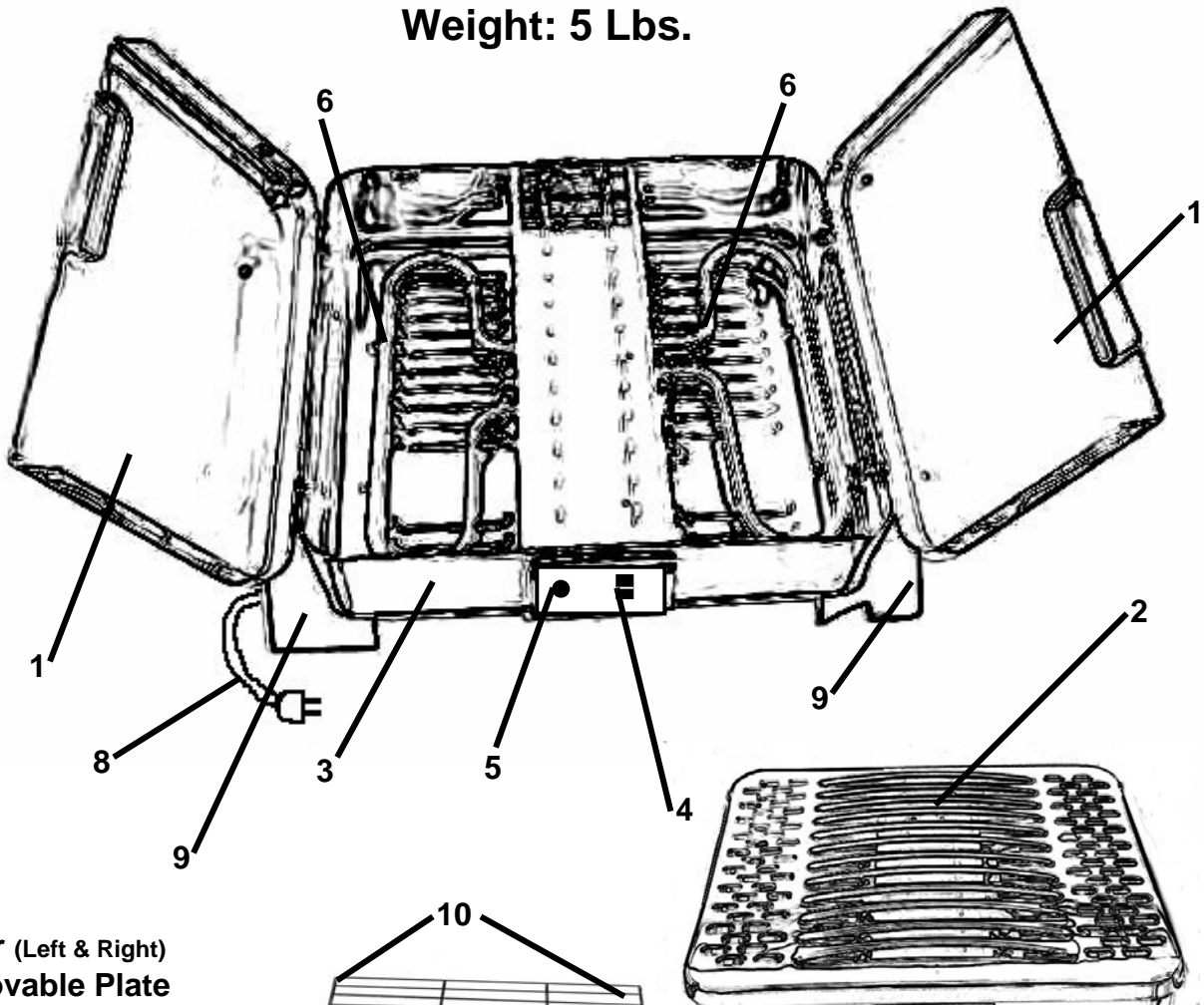
BravettiTM

PLATINUM PRO

Model BR220
Plate Warmer
120 Volt, 60 Hz
300 watts

Dimensions: 12" x 10" x 3.5"

Weight: 5 Lbs.



1. Cover (Left & Right)
2. Removable Plate
3. Metal Housing
4. On/Off Switch
5. Indicator Light
6. Heating Element
7. Bread Warming Rack
8. Power Cord
9. Handles (Left & Right)
10. Metal Hooks

Read all the sections of this instruction booklet and follow all the instructions carefully. Make sure to keep these instructions for future reference.

Make sure that your line voltage matches the voltage of the plate warmer (120 volts).

IMPORTANT: The plate warmer is made of chrome plated steel.
The plate warmer has a capacity of 12 plates.
The plate warmer can also be used to warm up buns, croissants, etc...
using the bread warming rack (7).

Before Using for the First Time

Prior To First Use, Clean The Unit Thoroughly

- Before using for the first time, wash the removable plate holder (#2) and bread warming rack (7) in hot, soapy water.
- Rinse and dry thoroughly.
- Do not immerse metal housing (#3) in water or any other liquid.
- Plug cord into a 120 volt AC outlet.

How to Use the Plate Warmer

- Place the plate warmer on a flat, sturdy surface.
- Insert the plug into the 120 volt wall outlet.
- Open the covers (1) to the left and right.
- Turn the On/Off switch (4) to "On" position.
- The indicator light (5) will turn on. Wait for a few minutes to let the unit attain operating temperature. You can now place the plates into their grooves to be warmed - Rotate 180° after 10 minutes for other side to warm up. Please note that the indicator light (5) will go off when temperature has been reached and will come on again when unit has cooled down.
- When the plates are warmed, they can be removed from the plate warmer using an oven mitt.
- When you are finished using the unit, turn the On/Off switch (4) to "Off" position, unplug the unit from the wall outlet.
- Make sure that the plate warmer has cooled down before storing it away.

NOTE: - There are twelve (12) grooves in the plate warmer into which plates with a maximum diameter of 30cm/12 in. may be placed vertically.
- Bread, buns, croissants to be warmed should be placed on the bread warming rack (7).
- Never cook on the plate warmer.

Please Note: Some plates might be more difficult to stand on the plate warmer due to the different depths of the plates. Please use caution when placing plates on the plate warmer.

Caution: Always use an oven mitt to remove the plates from the plate warmer.

Caution: When removing plates from plate warmer, please note that the bottoms of the plates which are placed vertically on the plate warmer get hotter than the tops because they are closer to the heating elements (#6). Hold only from the top when removing the plates from the plate warmer.

Warning: The sides and bottom of the metal housing (#3) get very warm. It is recommended that you use an insulated hot pad underneath the unit to avoid any heat damage to your counter or furniture. Do not place directly on a table cloth - it could cause a fire.

Please Note: Some ceramic plates warm up faster than other types of plates. Also, small plates heat up more rapidly than larger plates. Therefore, never place small plates in between larger plates because they will be too hot to handle.

Using the Bread Warming Rack (7)

- Place the bread warming rack (7) on top of the removable plate (2).
- Insert the 4 metal wire hooks (10) (located at the corners of the rack) into the 4 holes in the removable plate (2).
- Place the bread, buns, etc.. To be warmed on top of the bread warming rack (10)

Cleaning and Maintenance of Plate Warmer

CAUTION: Make sure that the unit is unplugged from the power source and the “On/Off” switch (#4) is on “Off” before cleaning.

- Never immerse the metal housing (#3), cord or plug in water or any other liquid.
- Wash the removable plate holder (#2) and bread warming rack (7) in hot, soapy water.
- Rinse and dry thoroughly.
- Clean the metal housing (#3) only with a damp cloth.

Bravetti / EURO-PRO

ONE (1) YEAR LIMITED WARRANTY

EURO-PRO OPERATING LLC warrants this product to be free from defects in material and workmanship for a period of one (1) year from the date of purchase when utilized for normal household use.

If your appliance fails to operate properly while in use under normal household conditions within the warranty period, return the complete appliance and accessories, freight prepaid. For customer service support, call 1 (800) 798-7398 or visit our website www.euro-pro.com. If the appliance is found by **EURO-PRO** to be defective in material or workmanship, **EURO-PRO** will repair or replace it free of charge. Proof of purchase date and \$9.95 to cover the cost of return shipping and handling must be included.*

The liability of **EURO-PRO** Operating LLC is limited solely to the cost of the repair or replacement of the unit at our option. This warranty does not cover normal wear of parts and does not apply to any unit that has been tampered with or used for commercial purposes. This limited warranty does not cover damage caused by misuse, abuse, negligent handling or damage due to faulty packaging or mishandling in transit.

This warranty is extended to the original purchaser of the unit and excludes all other legal and/or conventional warranties. The responsibility of **EURO-PRO** Operating LLC, if any, is limited to the specific obligations expressly assumed by it under the terms of the limited warranty. **In no event** is **EURO-PRO** Operating LLC liable for incidental or consequential damages of any nature whatsoever. Some states do not permit the exclusion or limitation of incidental or consequential damages, so the above may not apply to you.

This warranty gives you specific legal rights, and you may also have other rights which vary from state to state.

***Important: Carefully pack item to avoid damage in shipping. Be sure to include proof of purchase date and to attach tag to item before packing with your name, complete address and phone number with a note giving purchase information, model number and what you believe is the problem with item. We recommend you insure the package (as damage in shipping is not covered by your warranty). Mark the outside of your package "ATTENTION CUSTOMER SERVICE".**

**** In Canada include \$14.00 Canadian and forward to 4400 Bois Franc, St. Laurent, QC H4S 1A7.**



OWNERSHIP REGISTRATION CARD FOR CANADIAN CONSUMERS ONLY

Please fill out and mail the product registration card within ten (10) days of purchase. The registration will enable us to contact you in the unlikely event of a product safety notification. By returning this card you acknowledge to have read and understood the instructions for use, and warnings set forth in the accompanying instructions.

RETURN TO EURO-PRO OPERATING LLC: 4400 Bois Franc, St. Laurent, QC H4S 1A7

Appliance model

Date purchased

Name of store

Owner's name

Address

City

Prov

Postal Code/

Free Manuals Download Website

<http://myh66.com>

<http://usermanuals.us>

<http://www.somanuals.com>

<http://www.4manuals.cc>

<http://www.manual-lib.com>

<http://www.404manual.com>

<http://www.luxmanual.com>

<http://aubethermostatmanual.com>

Golf course search by state

<http://golfingnear.com>

Email search by domain

<http://emailbydomain.com>

Auto manuals search

<http://auto.somanuals.com>

TV manuals search

<http://tv.somanuals.com>