

ONE (1) YEAR LIMITED WARRANTY

EURO-PRO Operating LLC warrants this product to be free from defects in material and workmanship for a period of one (1) year from the date of the original purchase, when utilized for normal household use, subject to the following conditions, exclusions and exceptions.

If your appliance fails to operate properly while in use under normal household conditions within the warranty period, return the complete appliance and accessories, freight prepaid to:

U.S.: **EURO-PRO Operating LLC**, 94 Main Mill Street, Door 16, Plattsburgh, NY 12901

Can.: **EURO-PRO Operating LLC**, 4400 Bois Franc, St. Laurent, Qc, H4S 1A7

If the appliance is found to be defective in material or workmanship, **EURO-PRO Operating LLC** will repair or replace it free of charge. Proof of purchase date must be included. *

The liability of **EURO-PRO Operating LLC** is limited solely to the cost of the repair or replacement of the unit at our option. This warranty does not cover normal wear of parts and does not apply to any unit that has been tampered with or used for commercial purposes. This limited warranty does not cover damage caused by misuse, abuse, negligent handling or damage due to faulty packaging or mishandling in transit. This warranty does not cover damage or defects caused by or resulting from damages from shipping or repairs, service or alterations to the product or any of its parts, which have been performed by a repair person not authorized by **EURO-PRO Operating LLC**.

This warranty is extended to the original purchaser of the unit and excludes all other legal and/or conventional warranties. The responsibility of **EURO-PRO Operating LLC** if any, is limited to the specific obligations expressly assumed by it under the terms of the limited warranty. **In no event is EURO-PRO Operating LLC** liable for incidental or consequential damages of any nature whatsoever. Some states/provinces do not permit the exclusion or limitation of incidental or consequential damages, so the above may not apply to you.

This warranty gives you specific legal rights, and you may also have other rights which vary from state to state or province to province.

***Important: Carefully pack item to avoid damage in shipping. Be sure to include proof of purchase and to attach a tag to item before packing with your name, complete address and phone number with a note giving purchase information, model number and what you believe is the problem with item. We recommend you insure the package (as damage in shipping is not covered by your warranty). Mark the outside of your package "ATTENTION CUSTOMER SERVICE". We are constantly striving to improve our products, therefore the specifications contained herein are subject to change without notice.**



OWNERSHIP REGISTRATION CARD

Please fill out and mail the product registration card within ten (10) days of purchase. The registration will enable us to contact you in the unlikely event of a product safety notification. By returning this card you acknowledge to have read and understood the instructions for use, and warnings set forth in the accompanying instructions.

RETURN TO **EURO-PRO Operating LLC**, 94 Main Mill Street, Door 16, Plattsburgh, NY, 12901

 F1068H
Appliance model

 Date purchased **Name of store**

 Owner's name

 Address **City** **State** **Zip Code**

Bravetti®
4 Liter Electronic Deep Fryer

OWNER'S MANUAL

Model F1068H
120V., 60Hz., 1700 Watts



EURO-PRO Operating LLC

U.S.: 94 Main Mill Street, Door 16
 Plattsburgh, NY 12901

Canada: 4400 Bois-Franc
 St-Laurent, QC H4S 1A7

Tel.: 1 (800) 798-7398



IMPORTANT SAFETY INSTRUCTIONS


When using electrical appliances, basic safety precautions should always be followed, including the following:

1. Read all instructions for use carefully and look at the illustrations before you start using the appliance.
2. **Do not** touch hot surfaces, always use handles or knobs.
3. To protect against electrical shock, do not immerse cord and plug of this appliance in water or other liquids.
4. Close supervision is necessary when any appliance is used by or near children.
5. Unplug from outlet when not in use and before cleaning. Allow to cool before putting on or taking off parts and before cleaning the appliance.
6. **Do not** operate any appliance with a damaged cord or plug, or after the appliance malfunctions, has been dropped or damaged in any manner. Return the appliance to **EURO-PRO Operating LLC** for examination, repair or adjustment. See warranty.
7. **Never** plug in before the control panel is installed in the body of the fryer and the heating element is placed in the oil container.
8. **Never** overfill the fryer with oil. Fill only between the minimum and maximum levels, as indicated inside the oil container.
9. Be sure handle is properly assembled to the basket and locked in place. See detailed assembly instructions.
10. The use of accessory attachments not recommended by the appliance manufacturer may cause injuries.
11. Always insert heating element in the appliance first, then plug into the wall outlet. To disconnect, remove plug from wall outlet then wait for the unit to cool completely before removing the heating element.
12. Extreme caution must be used when moving any appliance containing hot oil or other hot liquids.
13. **Do not** leave appliance unattended while in use.
14. **Do not** use outdoors.
15. **Do not** let cord hang over the edge of the table, counter or touch hot surfaces.
16. **Do not** place on or near a hot gas or electric burner, or in a heated oven.
17. **Do not** use appliance for other than intended household use.

SPECIAL SAFETY INSTRUCTIONS

- A short power supply cord is provided to reduce the risk resulting from becoming entangled in or tripping over a longer cord. An extension cord (or longer detachable cord) is not recommended for use with deep fryers.
- **Never** plug in the control panel before it is installed in the body of the fryer with the heating element inside the oil container.
- **Do not** immerse the control panel and heating element in water.
- When opening the lid after frying, first release the lid by pushing the latch with your finger, then wait a moment to allow the steam inside to escape before opening fully.
- To avoid a circuit overload, do not operate another high wattage appliance on the same circuit.

POLARIZED PLUG



WARNING: To reduce the risk of electric shock, this appliance has a polarized plug (one blade is wider than the other). This plug will fit in a polarized outlet only one way. If the plug does not fit fully in the outlet, reverse the plug. If it still does not fit, contact a qualified electrician to install the proper outlet. Do not modify the plug in any way.

**SAVE THESE INSTRUCTIONS
FOR HOUSEHOLD USE ONLY**

OPERATING INSTRUCTIONS

IMPORTANT

Helpful Hints

Your deep fryer is equipped with a special Auto-Off Safety Feature. The heating element will shut off when the timer stops.

You can re-set the deep fryer to 320 degrees by simply pressing the function clear/reset button located on the front panel.

The temperature control allows you to set the desired temperature for each recipe. Once the temperature is achieved, the ready light will turn on. This is the point to set your timer. Once the time has elapsed, the element will shut off and the oil begin to cool down. If you want to do another recipe, simply press the function clear/reset button, set your temperature and wait for the ready light. Once the ready light is illuminated, then set the timer.

If you would like to use the fryer continuously for multiple batches, do not set the timer. Simply set the desired temperature, wait for the ready light and begin!

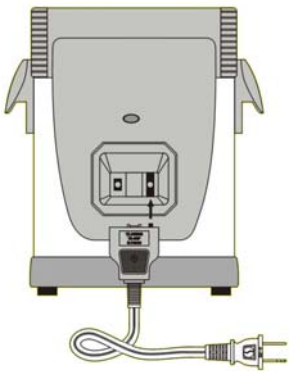
Connecting the Detachable Power Supply Cord

Your deep fryer has been specifically designed with your safety in mind. This unit has a unique detachable power supply cord. This power supply cord is designed to “Break Away” from the fryer body in the event that the supply cord is inadvertently pulled. This is intended to prevent the tipping of the appliance and hazardous spillage of hot oil.

The female receptacle portion of the power supply cord is permanently attached to the rear of the control panel. To connect the male power cord plug to the female receptacle on the appliance, orient the male plug so that it mates with the female receptacle. The male plug can only be inserted one way. If the male plug will not go into the receptacle on the appliance, rotate the male plug 180° and insert again.

Important: Should the male plug become detached from the appliance during use, it is important to:

1. Unplug the power cord from the wall outlet.
2. Turn off the appliance at the control panel.
3. Re-attach the power cord to the appliance.
4. Re-connect to power outlet.
5. Turn the appliance back on.



Cleaning Instructions

Warning: Always remove the plug from the wall socket before cleaning. Allow the deep fryer and the oil to cool completely (approximately 2 hours) before cleaning. Never immerse the control panel, cord or plug in water or any other liquid.

- Follow the cleaning instructions on page 4. (Before using for the First Time)
- **Never** immerse the control panel, cord or plug in water or any other liquid.
- **Do not** place the control panel, cord or plug in the dishwasher.
- Clean the control panel only with a damp cloth.
- The oil container, frying basket, lid cover and filter can be washed in the dishwasher.
- The body of the deep fryer can be washed in warm soapy water. **Do not** put the body of the deep fryer in the dishwasher.

How To Reset the Deep Fryer

If for some reason the deep fryer stops heating, the reason might be that the safety re-set switch has tripped. To re-set the the deep fryer, follow the instructions listed below:

- Push the thermostat re-set button located on the back of the control panel. (Fig. 8) The unit will beep to indicate that it has re-set.

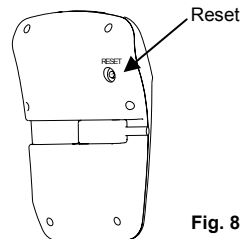
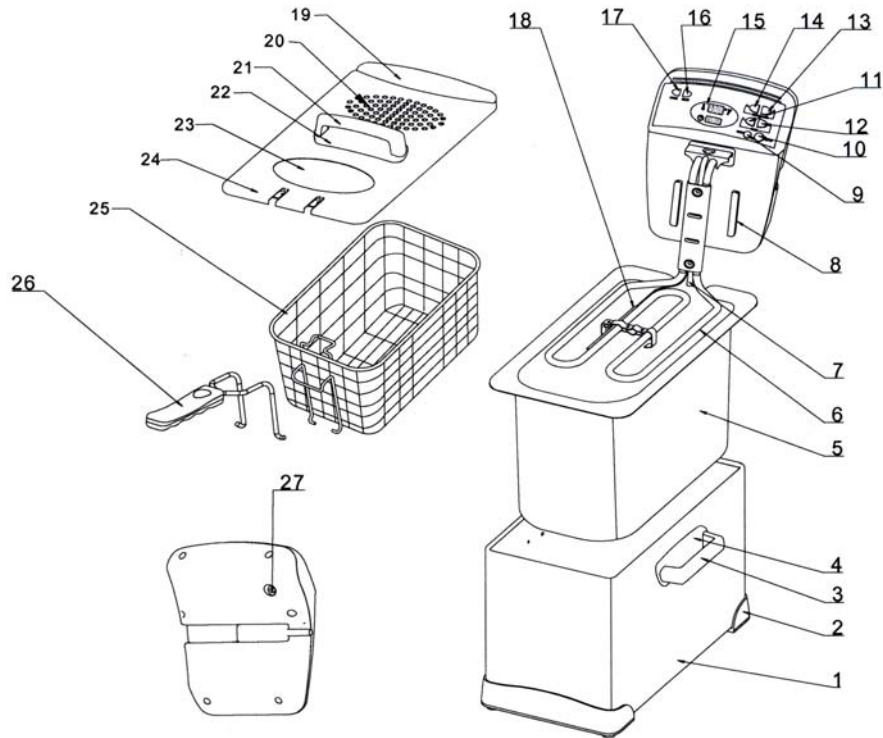


Fig. 8

Important Safeguards	1
Special Safety Instructions	1
Main Components	3
Using for the First Time	4
Prior to First Use, Clean the Unit Thoroughly	4
Filling the Stainless Steel Container With Oil	4
Using Solid Fat	5
Installing the Control Panel Into Its Place	5
Using the Electronic Deep Fryer	5
Pre-Heating	6
Filling the Frying Basket	7
Frying Food	7
At the End of Cooking	7
Frying Tips	7
Temperature Settings	8
Filtering and Changing the Oil	8
Connecting the detachable Power Supply Cord	9
Cleaning Instructions	9
How to Reset the Deep Fryer	9
Helpful Hints	10

GETTING TO KNOW YOUR DEEP FRYER



- | | |
|-------------------------------------|---------------------------|
| 1. Body | 16. Ready Indicator Light |
| 2. Support Foot | 17. Power Indicator Light |
| 3. Body Handle | 18. Sensor |
| 4. Body Handle Plate | 19. Decorative Plate |
| 5. Oil Container | 20. Filter |
| 6. Heating Element | 21. Lid Handle |
| 7. Temperature Sensor | 22. Lid Handle Plate |
| 8. Control Panel | 23. Window |
| 9. Function Clear/Reset Button | 24. Lid Cover |
| 10. Power Button | 25. Frying Basket |
| 11. / 12. Timer Adjust Button | 26. Basket Handle |
| 13. / 14. Temperature Adjust Button | 27. Reset Button |
| 15. Digital Display | |

Technical Specifications

Voltage: 120V., 60Hz.
Power: 1700 Watts

Note: Illustrations may differ from actual unit.

OPERATING INSTRUCTIONS

The following cooking times reflect only the approximate time needed to fry one basket 1/2 full. The exact time may be different depending on actual quantity, personal cooking preferences, size and thickness of pieces, etc...

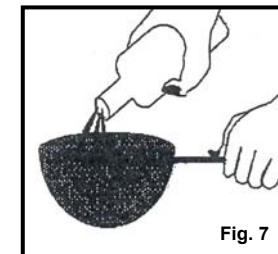
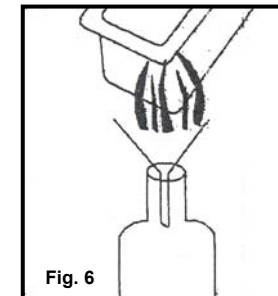
Temperature Settings

In general, use lower settings for delicate foods (vegetables, fish) and higher settings for frozen foods, french fries and chicken.

Food	Cooking Time	Temperature
French Fries	6-9 minutes	375°F
Fish Fillets	3-5 minutes	320°F
Chicken Fingers	6-8 minutes	350°F
Chicken Pieces	13-20 minutes	350°F
Fried Zucchini	3 minutes	320°F
Fried Mushrooms	3 minutes	320°F
Onion Rings	3 minutes	320°F
Donuts	3-5 minutes	350°F
Apple Beignets	4 minutes	350°F
Shrimp	4-6 minutes	320°F

Filtering & Changing the Oil

- Make sure the deep fryer is unplugged and the oil has cooled before cleaning or storing the deep fryer.
- The oil does not need to be changed after each use. In general, the oil will be tainted rather quickly when frying food containing a lot of protein (such as poultry, meat or fish). When oil is mainly used to fry potatoes and is filtered after each use, it can be used 8 to 10 times. However, do not use the same oil for longer than 6 months.
- To filter the oil, first make sure the oil has cooled and then empty the oil from the oil container into another container or bottle. (Fig. 6)
- Wash and dry the oil container and basket. Refill the oil container with the oil, pouring the oil through a wire strainer or paper filter. (Fig. 7)



OPERATING INSTRUCTIONS

Warning: In order to avoid injury or burns, never touch any metal parts on the deep fryer because they may be hot.

Filling the Frying Basket

- **Do not** fill the frying basket when it is immersed in the hot oil.
- Place the food in the frying basket. **Do not** drop the food into the hot cooking oil. **Do not** overflow it and never exceed the "MAX" line on the frying basket. For optimum results and shorter frying time, fry smaller quantities.
- The frying basket has a "MAX" line on it. **Do not** fill the basket with food over this line.

Warning: When frying frozen foods, remove the frying basket from the deep fryer before filling because oil will spatter and cause burns.

Caution: When frying frozen foods such as french fries, you should not exceed 1.25 Lb. (564 gr.) or less. Clean off any ice from frozen food prior to frying. Failure to do so may cause fryer to overflow when food is placed in oil.

Caution: Never plug in the control panel when it is not assembled to the fryer body. Do not immerse the control panel, power cord or plug in water or any other liquid.

Frying Food

- Always use the frying basket to fry food.
- Always close the lid cover during frying.
- When the oil is pre-heated, ready indicator light will come on indicating that the desired temperature is reached.
- Slowly lower the frying basket into the hot oil. Lowering the frying basket too quickly can result in the oil overflowing and splashing.
- Replace the lid carefully.
- It is normal for steam to escape through the sides of the lid while frying.
- Avoid standing too close to the deep fryer while it is working.

Warning: When opening the lid cover after frying, lift the lid slightly, then wait to allow steam to escape before removing the lid completely. Keep face away from unit to avoid burns caused by escaping steam.

At the End of Cooking

- Press the power button to turn the power off.
- Unplug the power cord from the wall outlet.
- Lift up the lid cover slowly and wait to allow steam to escape before removing the lid cover completely.
- Lift up the frying basket by the handle. Place it on the oil container and allow the food to drain for a minute.
- Once the oil has drained from the frying basket, the basket may be lifted off and the food served.

Warning: Always let the deep fryer cool completely (approximately 2 hours) before cleaning or storing. Never carry or move the deep fryer with hot oil inside.

Frying Tips

- **Do not** mix different oils or new and old oil together.
- Replace oil regularly. In general, oil will be tainted fast when frying food containing a lot of protein, (such as poultry, meat and fish). When oil is used mainly to fry potatoes and is filtered after each use, it can be used up to 8 to 10 times, but **do not** use the same oil for more than 6 months.
- Always replace all oil as soon as it starts foaming when heated or when color becomes dark or when it has a rancid smell or taste or becomes syrupy.
- Make sure that the food to be fried is dry.
- Remove loose ice from frozen food before frying.
- To cook evenly, pieces should be the same size and thickness.
- Thicker pieces will take longer to cook.

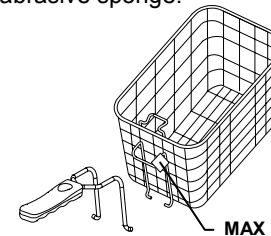


Fig. 1

OPERATING INSTRUCTIONS

Read all the sections of this booklet and follow all the instructions carefully.

Using for the First Time

Warning: Never plug in the control panel when it is not installed in the fryer body with heating element in the oil container.

Do not immerse the control panel, cord or plug in water.

Warning: This unit should not be used to boil water.

Prior to First Use, Clean the Unit Thoroughly

Warning: Always let the fryer cool completely for 2 hours before taking it apart for cleaning. **Never** carry or move the deep fryer with hot oil inside. Before cleaning, always make sure the plug is not in the wall socket.

- All components with the exception of the electrical parts, can be washed in warm soap water. Dry thoroughly before use.
- Use basket handle to remove the frying basket. Always make sure the basket handle is securely attached to the basket. Attach the handle to the frying basket, insert the metal part of the handle inside the metal bracket on the frying basket. (Fig. 1)
- Lift the control panel with heating element out of its slots by pushing it up from the bottom with one hand while holding the body of the deep fryer with your other hand.
- Remove the oil container.
- Clean the oil container and the frying basket with hot water, dishwashing liquid or other non-poisonous detergent and non-abrasive sponge.

Warning: Never immerse the control panel in water or any other liquids.

Warning: All components must be completely dried before filling with oil or using. Special care must be taken to ensure the washable oil filter in the lid is completely dry, otherwise the filter will not function properly and may lead to steam being trapped within the fryer during use.

Warning: Never exceed "MAX" line when filling the basket with food.

Filling the Oil Container

Warning: Never plug in the deep fryer before filling with oil to specified level. Always make sure control panel is securely in place in the body and the heating element is inside the oil in the container before plugging in.

- Use blended vegetable oil, pure corn oil or canola (rapeseed) oil. Do not use olive oil, margarine, lard or drippings.
- The oil level must always be maintained between the minimum and the maximum levels marked inside the oil container. Check the oil level before each use. For best results, **Do NOT** exceed "MAX" level for cooking oil. (Fig. 2)
- Never mix different oils and fats together. Do not mix old and new oil.

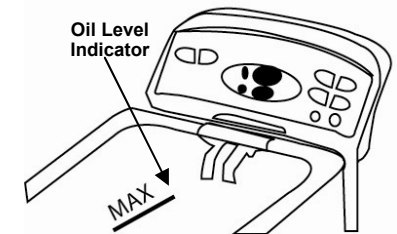


Fig. 2

OPERATING INSTRUCTIONS

Using Solid Fat

Warning: Do not put solid shortening in the oil container or the frying basket.

- If using solid vegetable shortening, melt it first in a separate pan and then very carefully pour the melted fat into the oil container.
- Previously used solid vegetable shortening which has curdled and hardened in the oil container should be removed from the oil container and melted in a separate pan before reusing.

Warning: If you try to melt the solidified fat in the oil container, there is a risk of warm melted fat suddenly sputtering from below through the still solid top layer of fat.

Therefore use only the following procedure:

- Make sure the fat is at room temperature. If the fat is very cold, there is a greater risk of splashing.
- Using a fork, carefully make some holes in the fat. Make sure the lid is securely closed while fat is melting. Press the "Function" Reset button and press timer button to set the time you require.

Installing the "Control Panel with the Heating Element" into its Place

- Lift up the control panel with heating element.
- Insert the "guide edges" on the control panel into the "guide rails" mounted on the metal body. (Fig. 3)
- Slide the "guide edges" down till the end.

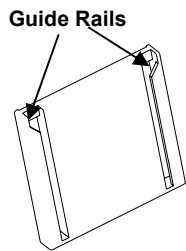


Fig. 3

Back of Main Body

Important Notice: The automatic safety switch ensures that the unit will not operate unless the control panel has been inserted into the "guide rails" on the metal body correctly. (Fig. 4)

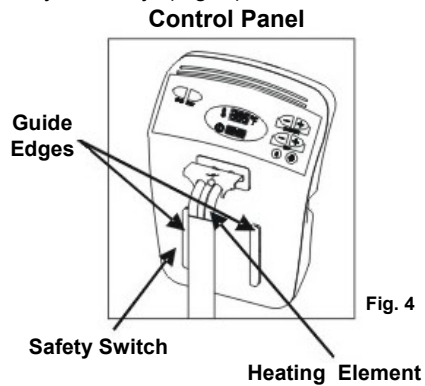


Fig. 4

Using the Electronic Deep Fryer

Warning: Never plug in the deep fryer before filling with oil to specified level. Always make sure control panel is securely in place in the body and the heating element is inside the oil in the container before plugging in.

Important: Ensure the control panel is fitted correctly to the main unit otherwise the unit will not function. This is not a defect. This product is fitted with a safety switch to prevent the unit from turning on accidentally.

Pre-Heating

Warning: Never plug in the deep fryer before filling with oil. (See "Filling" instructions on page 4.) Always unplug the appliance when not in use.

- Make sure the oil level in the oil container is between the "minimum" and "maximum" lines inside the oil container.
- The frying basket should not be immersed in the oil during the pre-heating.
- Replace the lid cover.
- Plug the appliance into a 120-volt outlet. The unit will beep.
- Press the power button. The unit will beep and the power indicator light will come on. It's showing that the power on. The upper screen display 320 °F and the lower screen displays __: __. It's in constant boiling status.

- Set the required temperature – The temperature is adjustable from 155 °F to 385 °F in 5°F increments. If you want to elevate the temperature, press the "+" button. When you press the "+" button the unit will beep. If you want to lower the temperature, press the "-" button. When you press the "-" button the unit will beep and the upper screen will display the temperature that you set. When the set temperature is reached, the green ready indicator light come on. (Fig. 5)
- Timer: The MAX timer time is 15 minutes. If you want to add time, please press "+" button. If you want to subtract time, press "-" button. The lower screen will display the time that you set.
- Function Reset : If you press the function reset button, the unit is in default status. The default temperature is 320 °F and the default time is 00:00.

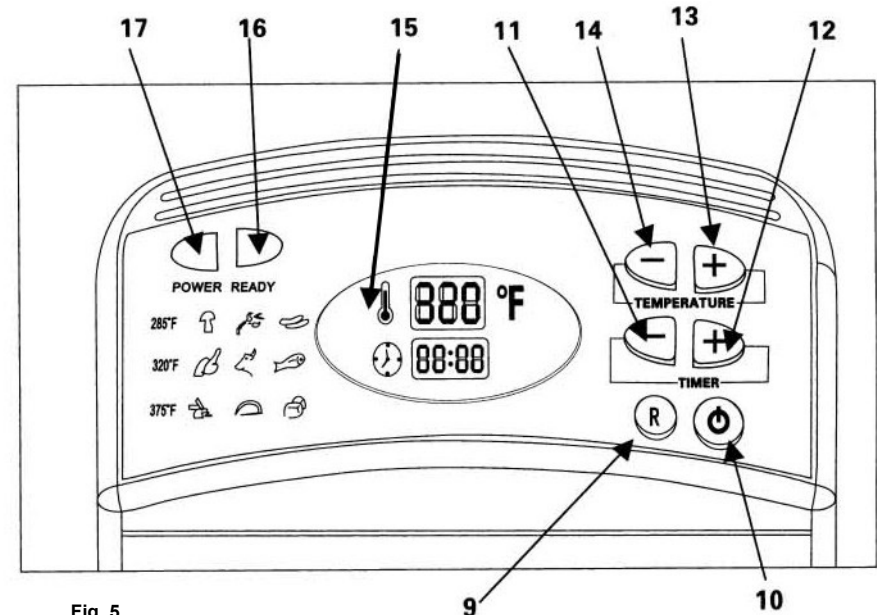


Fig. 5

- | | |
|---|-----------------------------------|
| 9. Function Reset Button | 15. Digital Display |
| 10. Power Button | 16. Ready Indicator Light (green) |
| 11. / 12. Timer Adjustable Button | 17. Power Indicator Light (red) |
| 13. / 14. Temperature Adjustable Button | |

Free Manuals Download Website

<http://myh66.com>

<http://usermanuals.us>

<http://www.somanuals.com>

<http://www.4manuals.cc>

<http://www.manual-lib.com>

<http://www.404manual.com>

<http://www.luxmanual.com>

<http://aubethermostatmanual.com>

Golf course search by state

<http://golfingnear.com>

Email search by domain

<http://emailbydomain.com>

Auto manuals search

<http://auto.somanuals.com>

TV manuals search

<http://tv.somanuals.com>