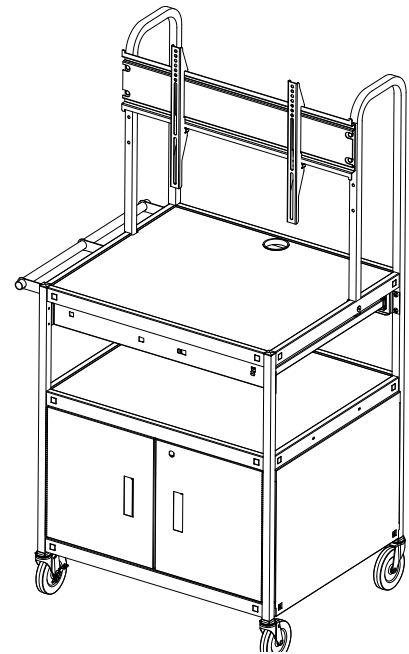


FP42ULC FP42MULC
**FLAT PANEL CABINET CART WITH
OR WITHOUT A PULL OUT SHELF**


WARNING: FP42 carts are intended to hold monitors up to 75 lbs. The use of a TV monitor weighing more than that may result in instability causing possible injury. The top, middle and bottom shelves are intended to hold equipment up to 50 lbs. on each shelf. The pull out shelf on FP42MULC is intended to support equipment up to 15 lbs.

PARTS LIST

Cart Models: FP42ULC & FP42MULC

Qty	Part#	Description
1	022-3065	Right Rear Leg Assembly
1	022-3066	Left Rear Leg Assembly
2	022-3067	Front Leg Assemblies
1	010-5778	Top Shelf
1	022-1414	Middle Shelf
1	010-1910	Bottom Shelf
2	010-1908	Cabinet Side Panel
1	010-1909	Cabinet Rear Panel
1	022-1415	Right Door Assembly w/Lock
1	022-1416	Left Door Assembly
1	022-2827	Handle Assembly
1	022-3068	Monitor Bracket
2	010-4953	Hook Bars
2	010-4956	Stop Brackets
2	015-0017	5" Stem Casters w/o Lock
2	015-0018	5" Stem Casters with Lock

Pull Out Shelf Models :

Qty	Part#	Description
2	010-5783	Shelf Brackets
1	010-5782	Pull Out Shelf
1	030-1468	Left Outer Slide
1	030-1470	Right Outer Slide
2	030-1471	Inner Slides

Electrical Unit Models :

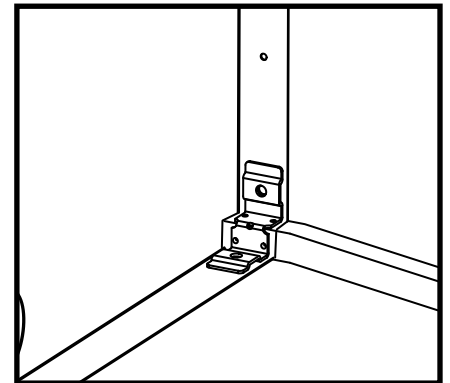
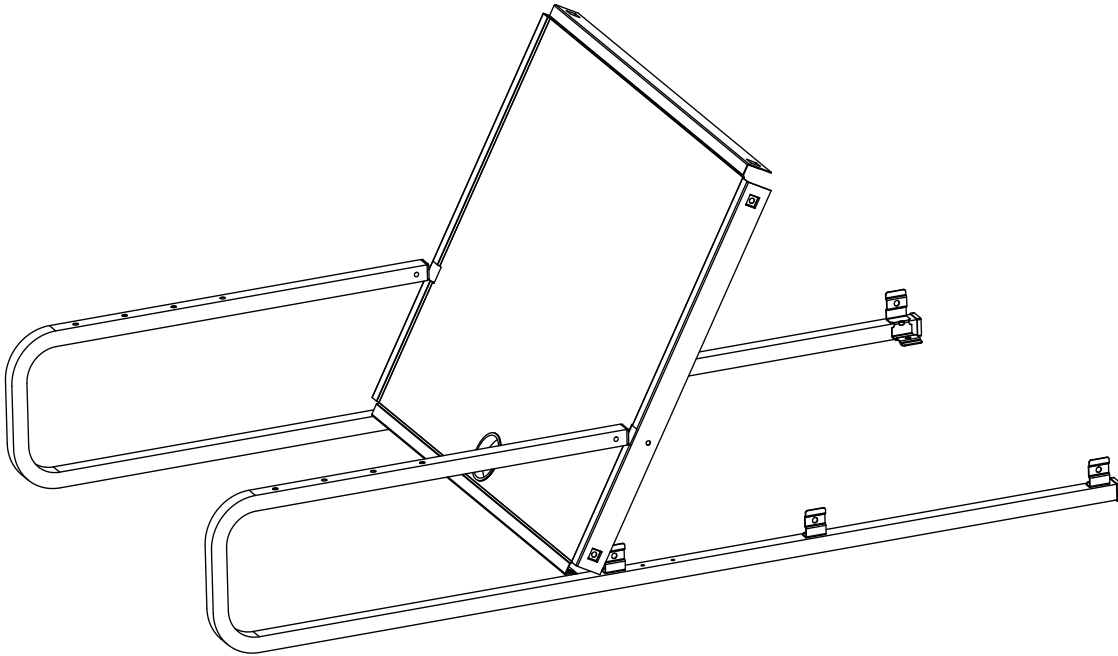
Qty	Part#	Description
1	E6 UNIT	6-Outlet Electrical Unit

HARDWARE LIST

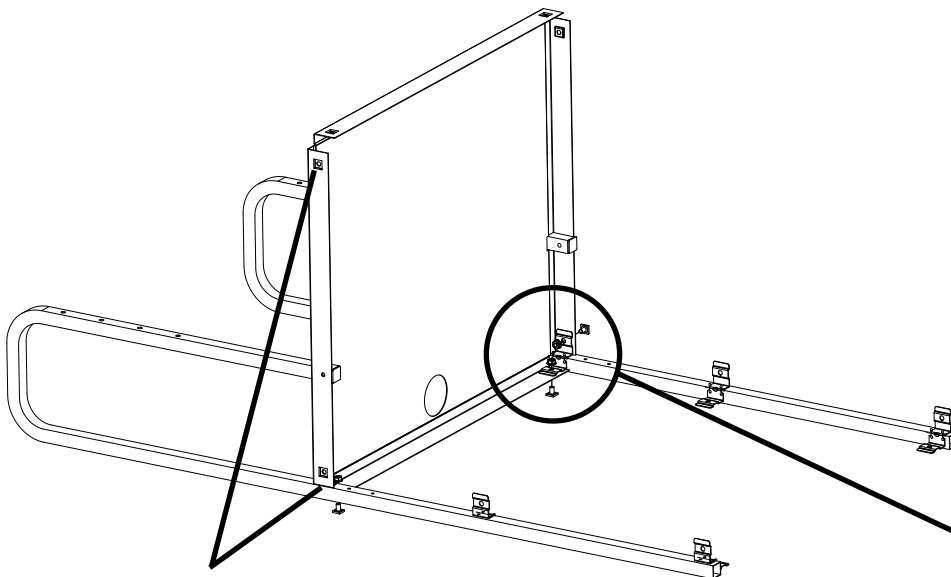
Part#	Description
030-0300-10T	5/8" Square Head Bolts
030-0002	5/16-18 Hex Serrated Nuts
030-0023	#6-32 x 3/8" Round Hd Machine Screws
030-0024	#6-32 Hex Nuts
030-0259	#10 x 1/2" Phillips Pan Hd Screws
030-0304	1/4-20 X 1/20" Truss Hd Screws
030-1349	5/16-18 x 3/4" Hex Hd Screws
SC1048B	1/4-20 x 45mm Bolts
030-0207	1/4-20 Serrated Flange Nuts
030-0401	5/8-18 x 1 1/2" Hex Head Screws
030-0411	5/16-18 Serrated Nuts
030-0865	#6 x 1/2" Button Pin-In Hd Screws
030-0354	10-32 x 1 1/2" Button Sockets Screws
010-1188	Door Stop
012-0286	Plastic Handles
010-1106	Hex Wrench
030-1352	1/8" Security Pin-In Driver Bit
030-0368	Replacement Key Set
044-2124	Courtesy Hardware Pack
	<u>This Pack Consists of:</u>
	(4) Metric M4 x 12 Screws
	(4) Metric M4 x 30 Screws
	(4) Metric M5 x 12 Screws
	(4) Metric M5 x 30 Screws
	(4) Metric M6 x 12 Screws
	(4) Metric M6 x 35 Screws
	(8) Small Washers
	(20) Large Washers
	(4) 5/8" Large Spacers

STEP 1

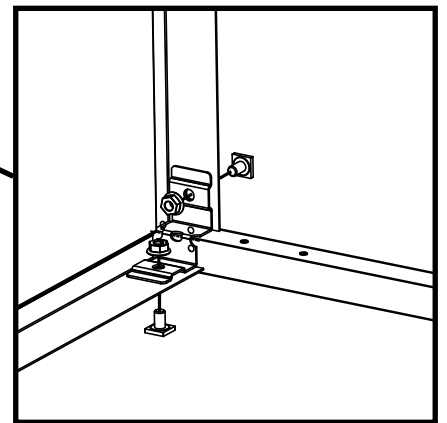
Position the top shelf onto the rear legs making sure the leg brackets are to inside of the shelf. **LOOSELY** secure the shelf to the legs using screws (AA) and bolts (BB).



BRACKET TO THE INSIDE



These side holes are used for installing the handle. Leave one of the sides open to install the handle.



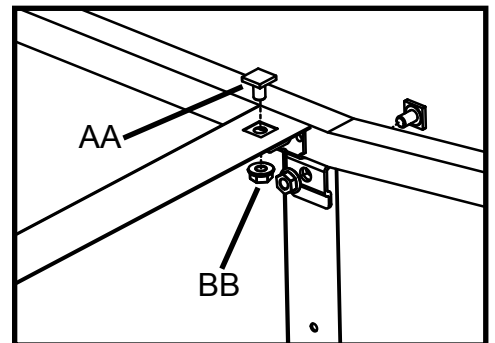
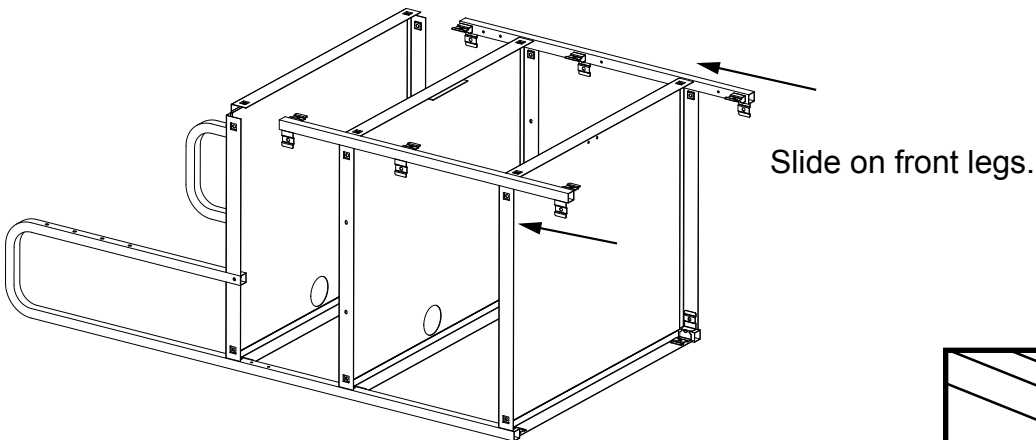
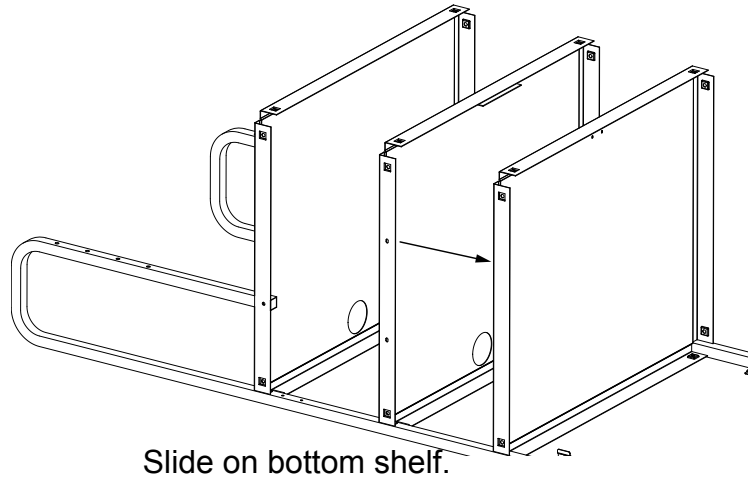
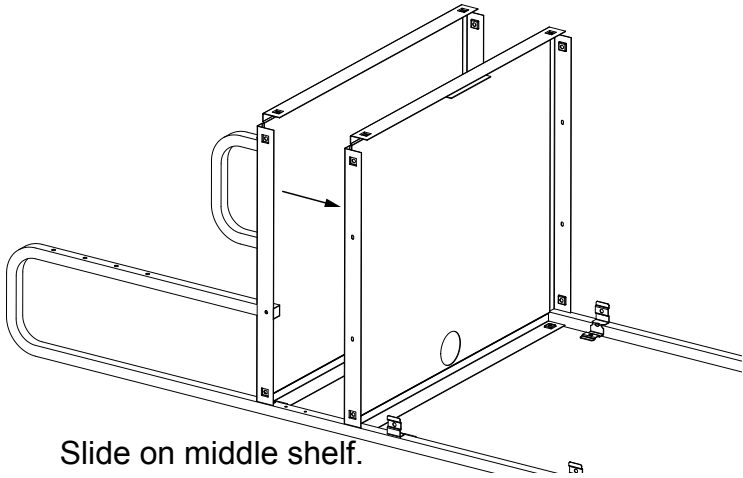
AA



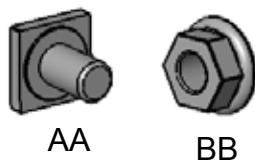
BB

STEP 2

Slide the middle and bottom shelves onto the rear legs. Slide the front legs on. **LOOSELY** install hardware to top shelf corner **ONLY**, remembering to leave access for the handle.

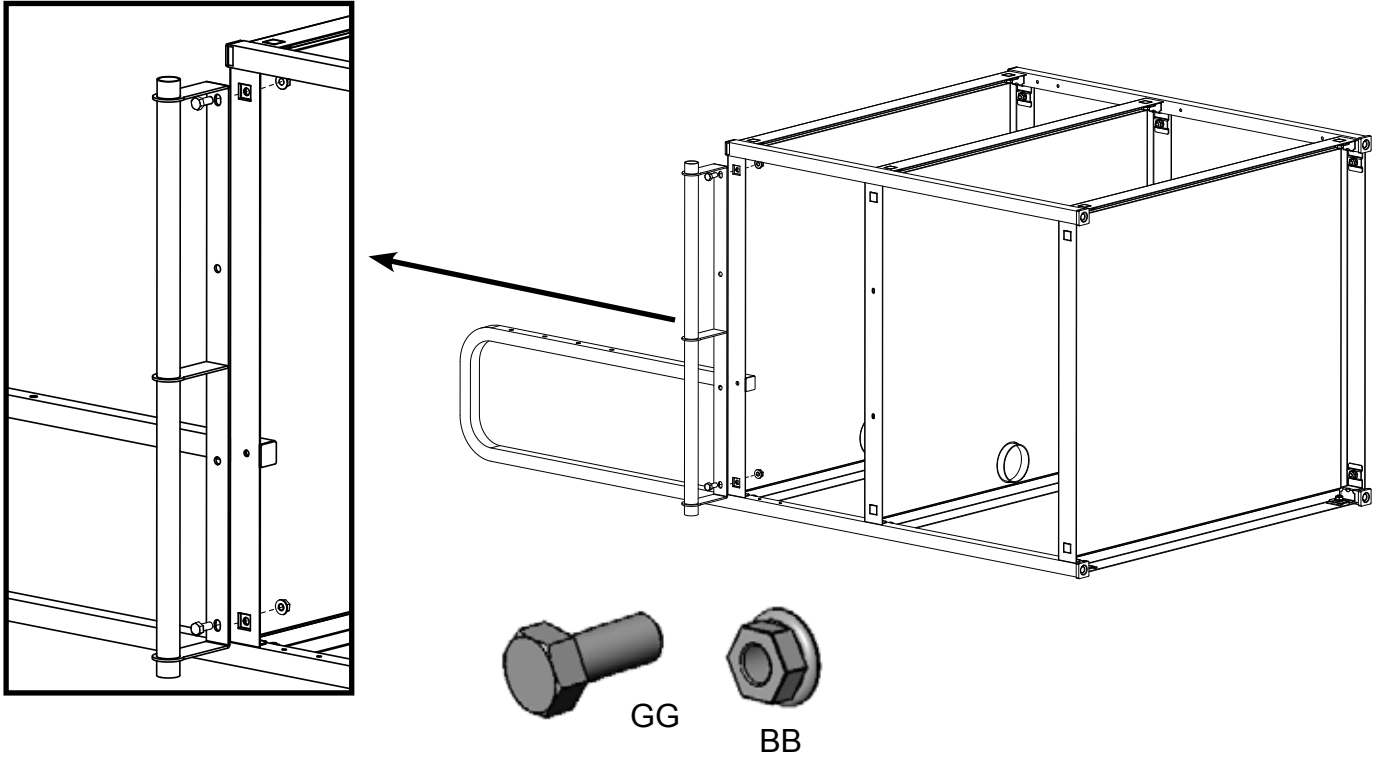


INSTALL HARDWARE TO TOP SHELF CORNER ONLY, OMIT HANDLE SIDE



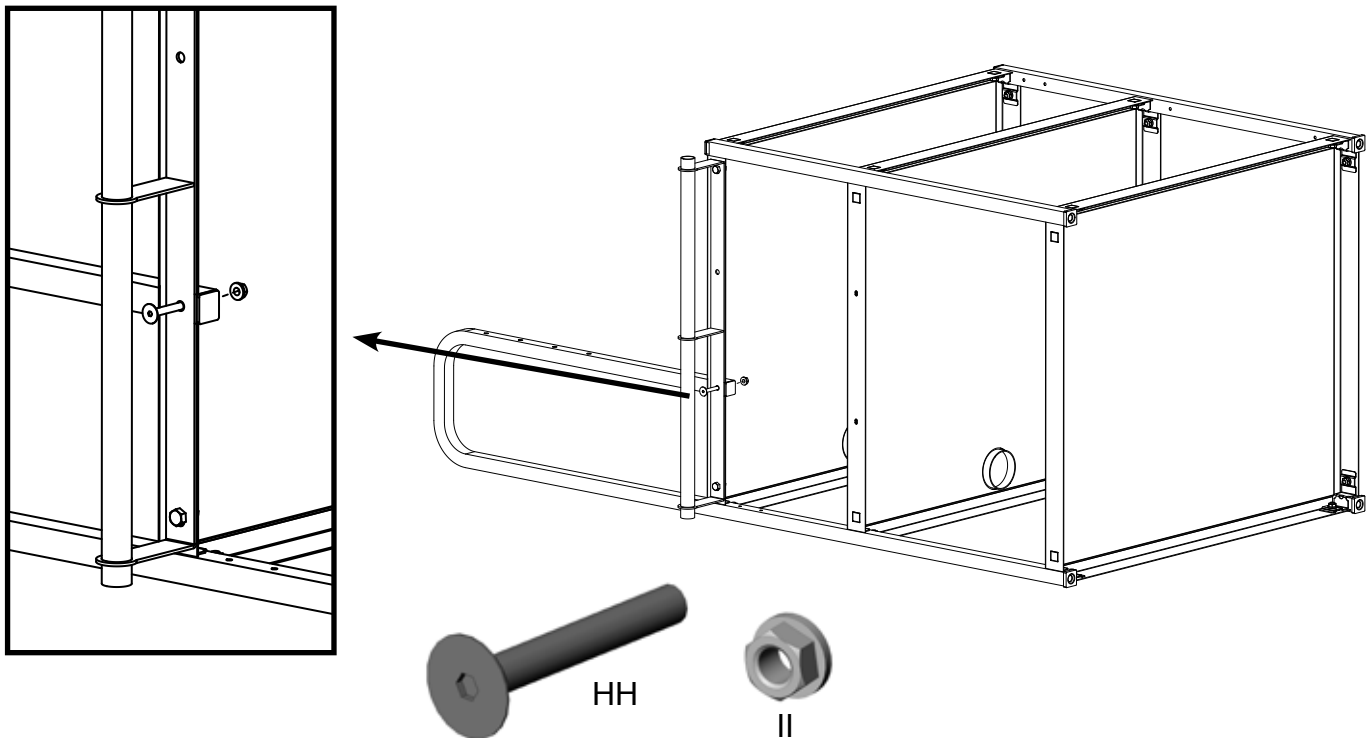
STEP 3

Install handle to either side of the cart using bolts (GG) and nuts (BB).



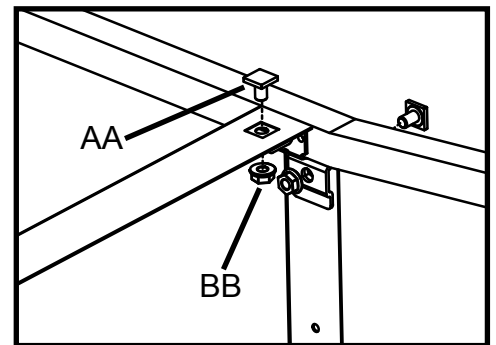
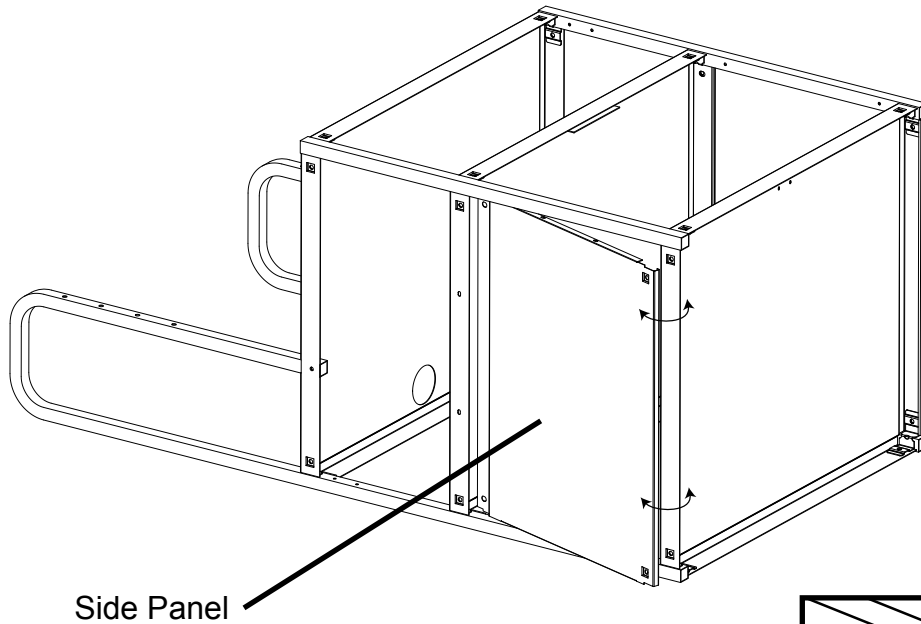
STEP 4

Secure tube and top shelf together using screws (HH) and nuts (II).

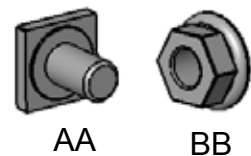
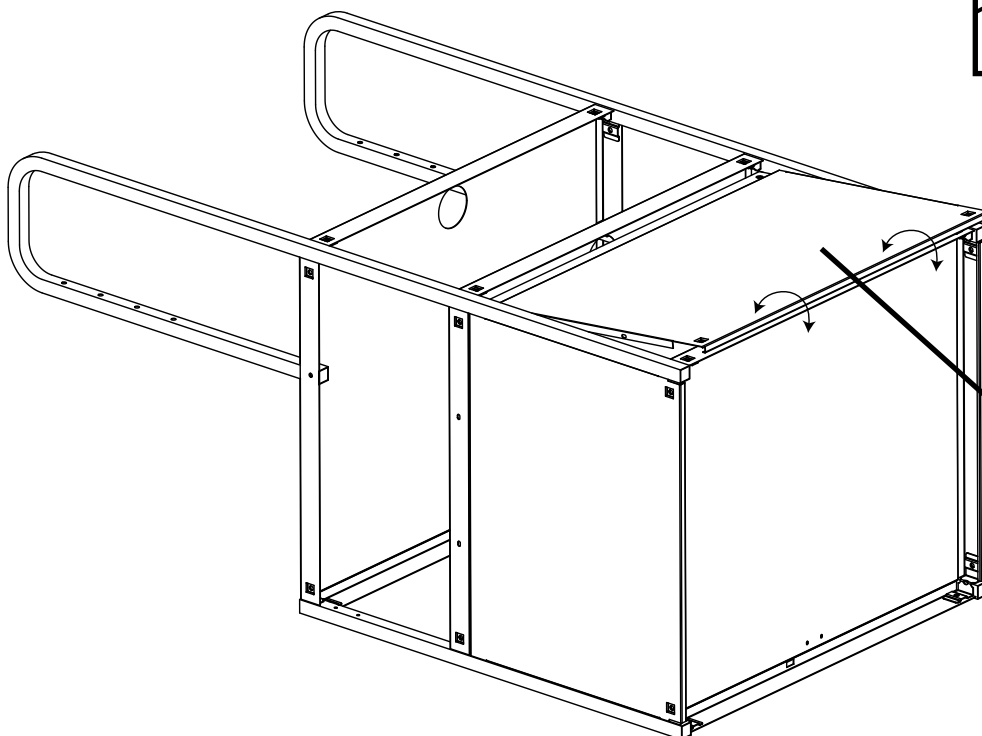


STEP 5

Position each side panel under the middle shelf and hook its bottom flange under the bottom shelf as shown. **LOOSELY** install hardware to each corner with bolts (AA) and nuts (BB). Carefully rotate cart onto its back and install rear panel just like side panels.



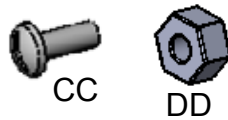
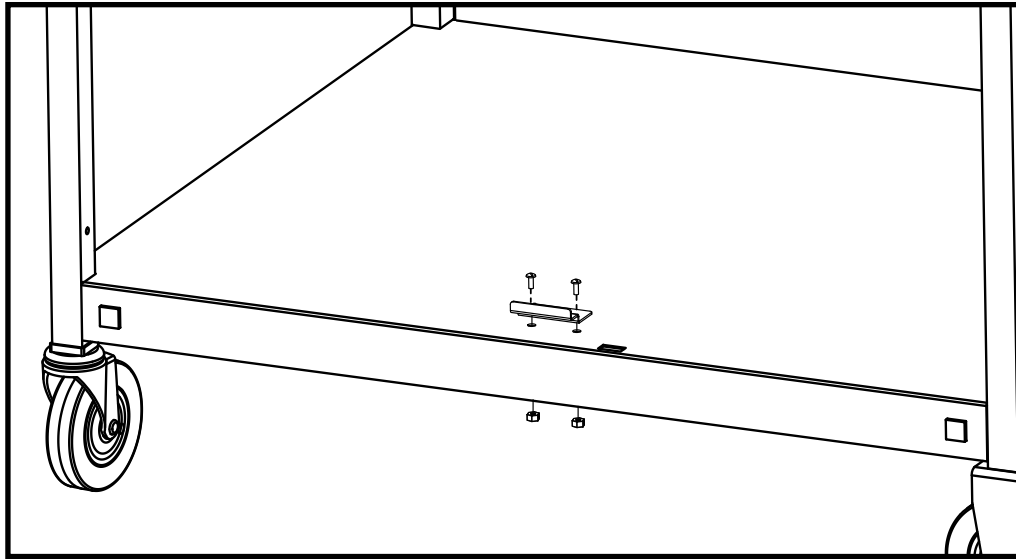
INSTALL HARDWARE TO EACH CORNER



NOW TIGHTEN ALL CART CORNER HARDWARE

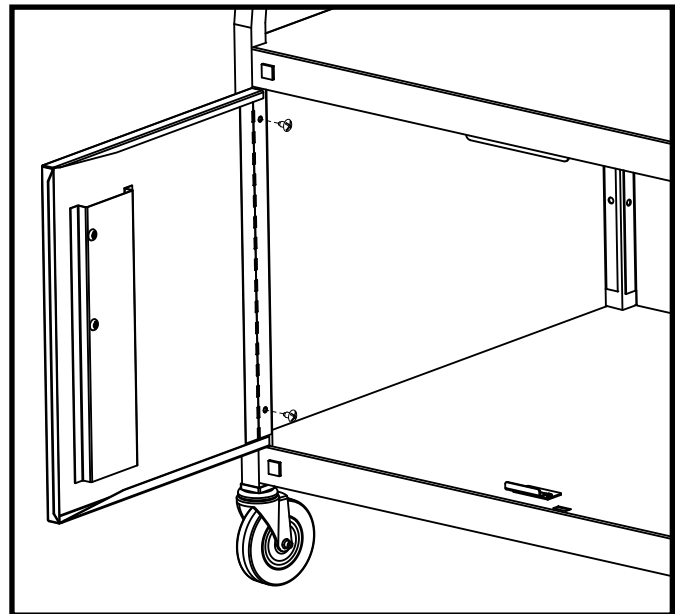
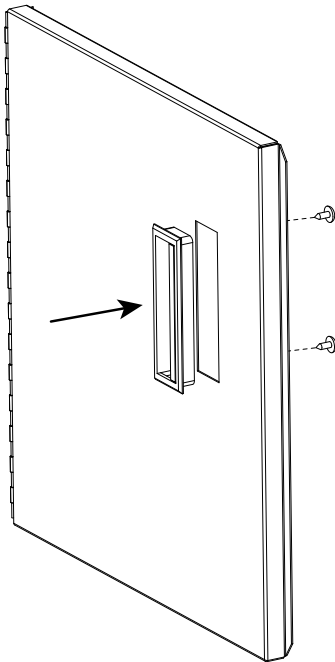
STEP 6

Install door stop to bottom shelf using screws (CC) and nuts (DD).



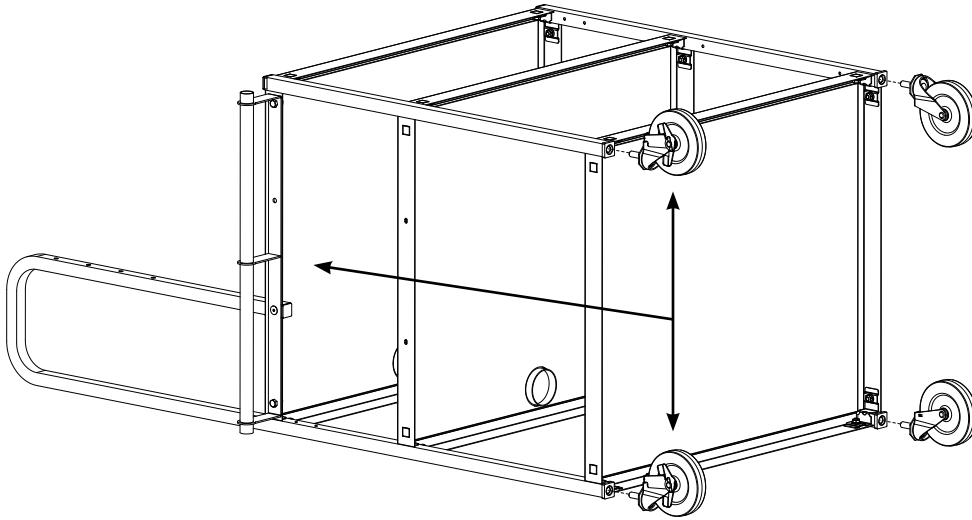
STEP 7

Attach a handle to each door with screws (EE). Then install each door between the middle and bottom shelves with screws (FF). **NOTE:** Adjustments to the door stop may need to be done.



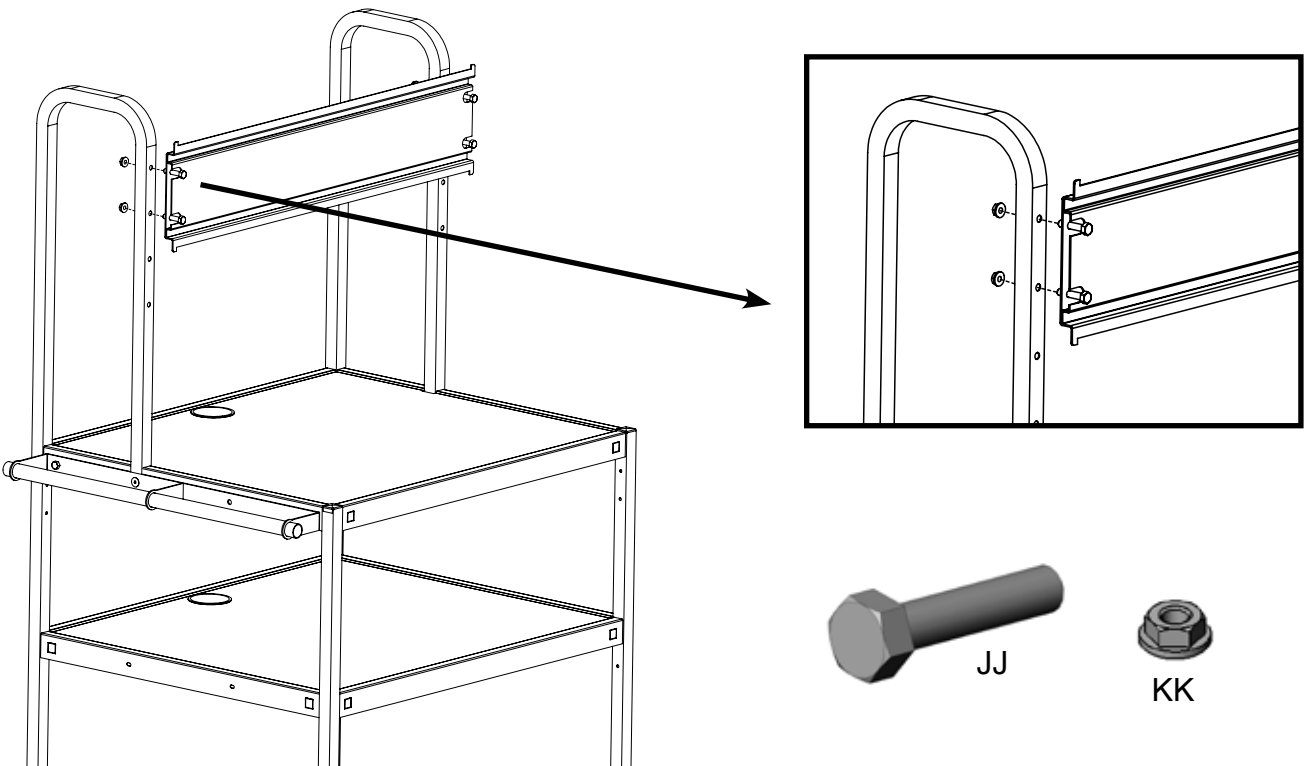
STEP 8

Push a caster into each leg insert. To ensure casters are securely in place, a rubber mallet may be used to tap them in place. **NOTE:** The locking casters **MUST** be installed on the same side as the handle.



STEP 9

Attach the monitor bracket onto the front of the rear leg tubes as shown using bolts (JJ) and nuts (KK).

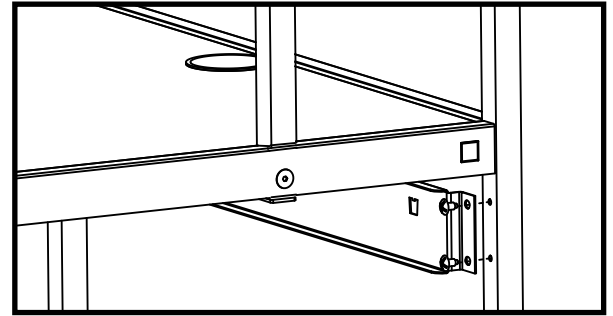
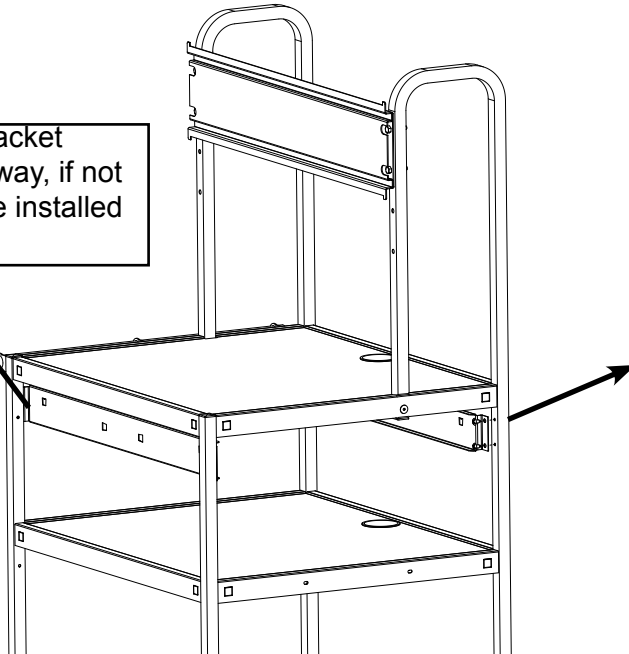


SKIP TO STEP 15 IF YOUR CART DOES NOT HAVE A SHELF

STEP 10

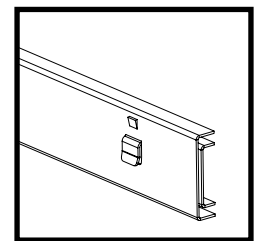
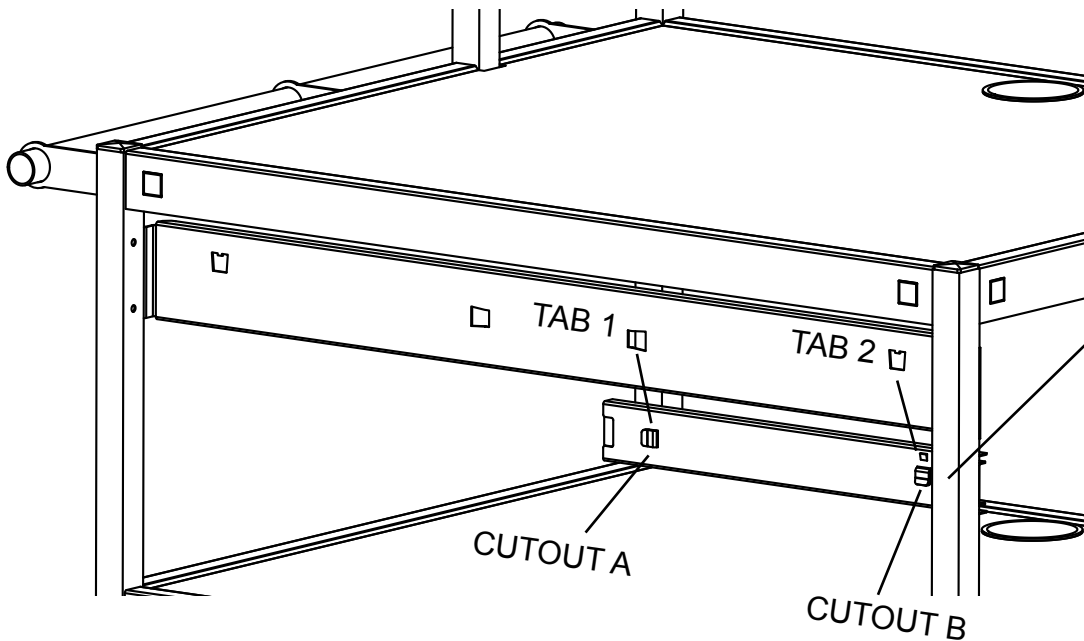
Attach each shelf bracket under the top shelf as shown using screws (FF).

Make sure the bracket cutouts face this way, if not the bracket will be installed upside down.



STEP 11

Install the outer slide onto the shelf bracket by sliding TAB 1 into CUTOUT A and TAB 2 into CUTOUT B. The pull out shelf should be installed opposite of the handle.



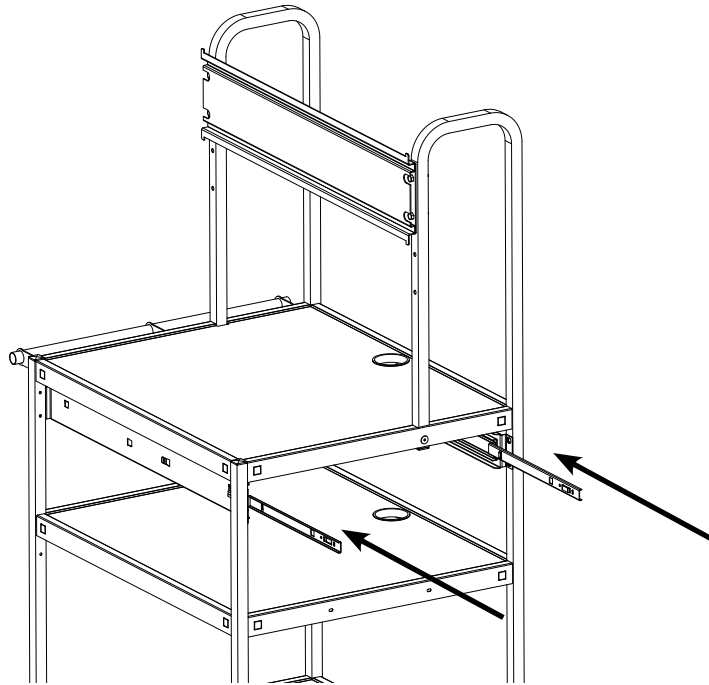
This tab determines where the shelf will slide out from.

Each cart bracket has additional cutouts to allow the shelf to pull out from either side of the cart.

NOTE: Some bend in the bracket is ok as the slides and shelf will take care of that once they are installed.

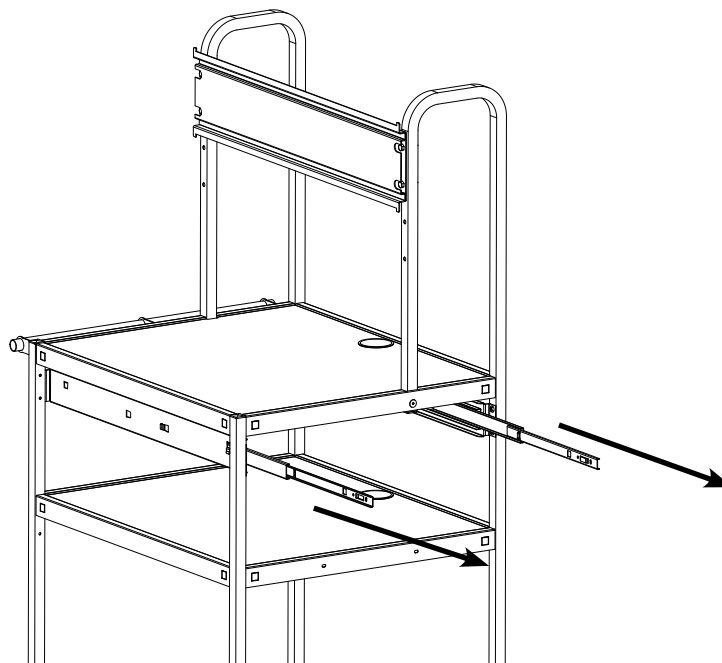
STEP 12

Install each inner slide into the outer slides. **NOTE: Push inner slide in all the way until it snaps in.**



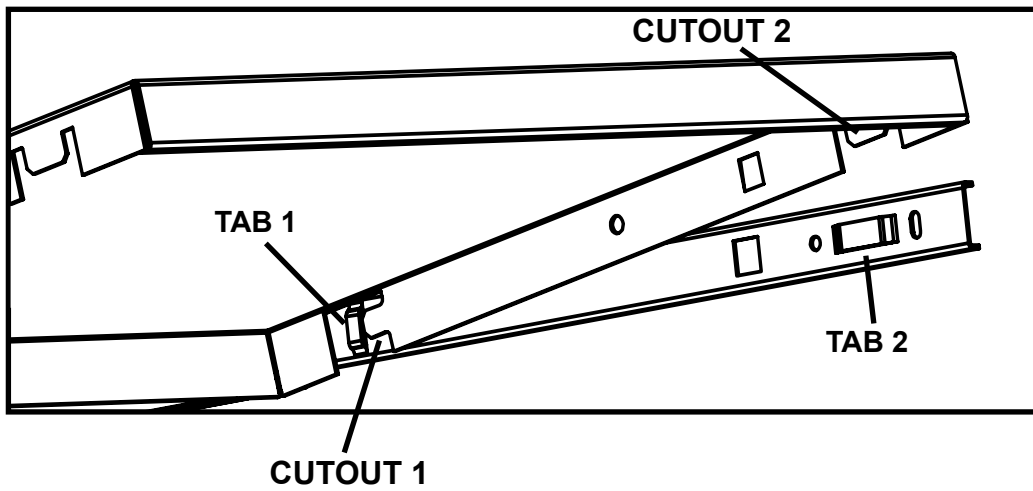
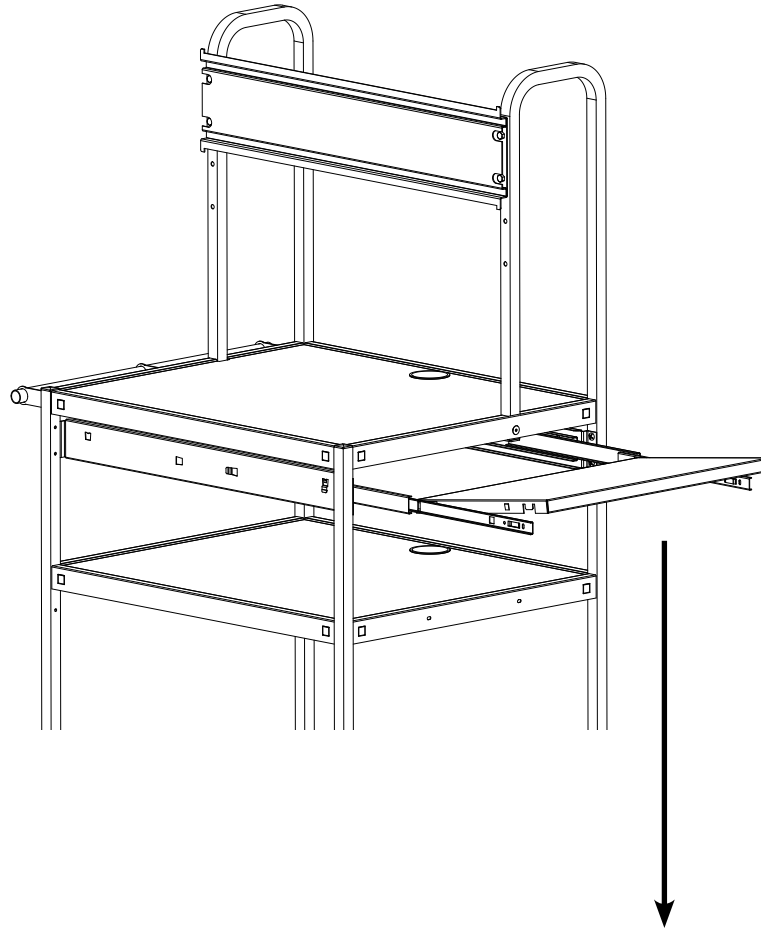
STEP 13

Extend the slides to the positioning shown.



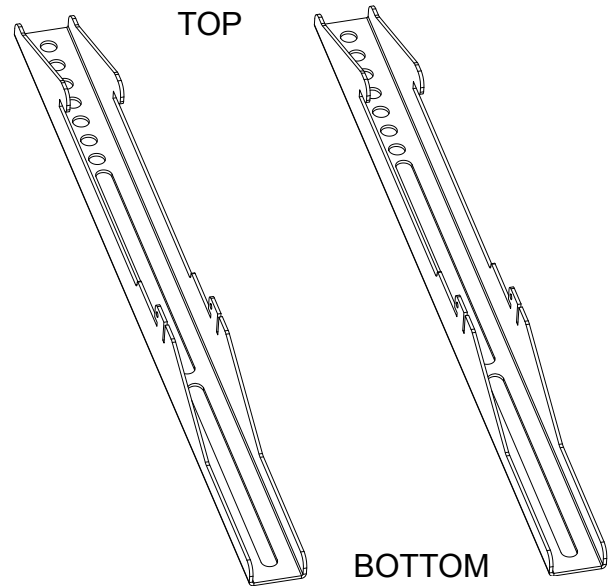
STEP 14

Install the pull out shelf by sliding **CUTOUT 1** into **TAB 1** and **CUTOUT 2** into **TAB 2**.



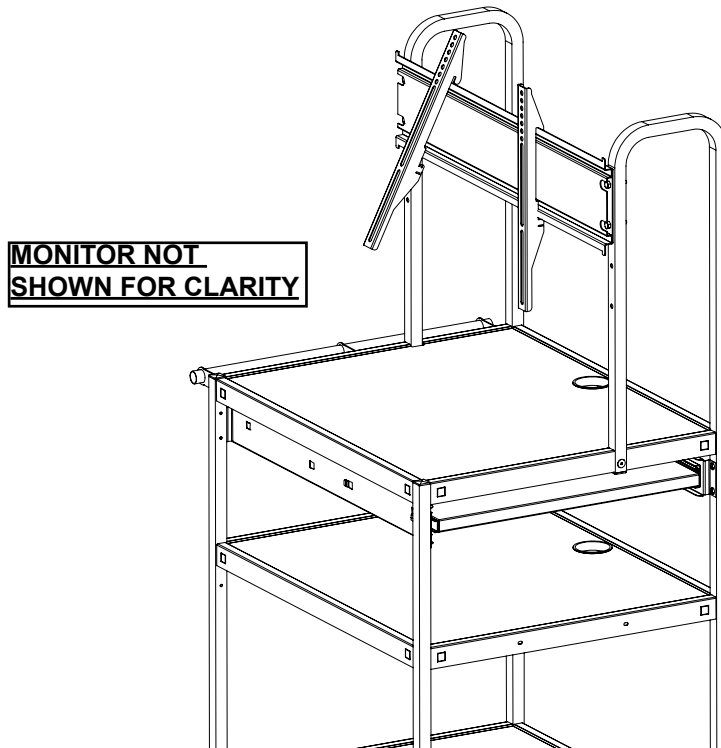
STEP 15

Attach both hook bars onto the back of your monitor using the mounting holes built into the case. A courtesy hardware pack has been provided with several metric screw sizes. You may need to purchase additional metric screws from your local hardware store for odd shaped monitors.



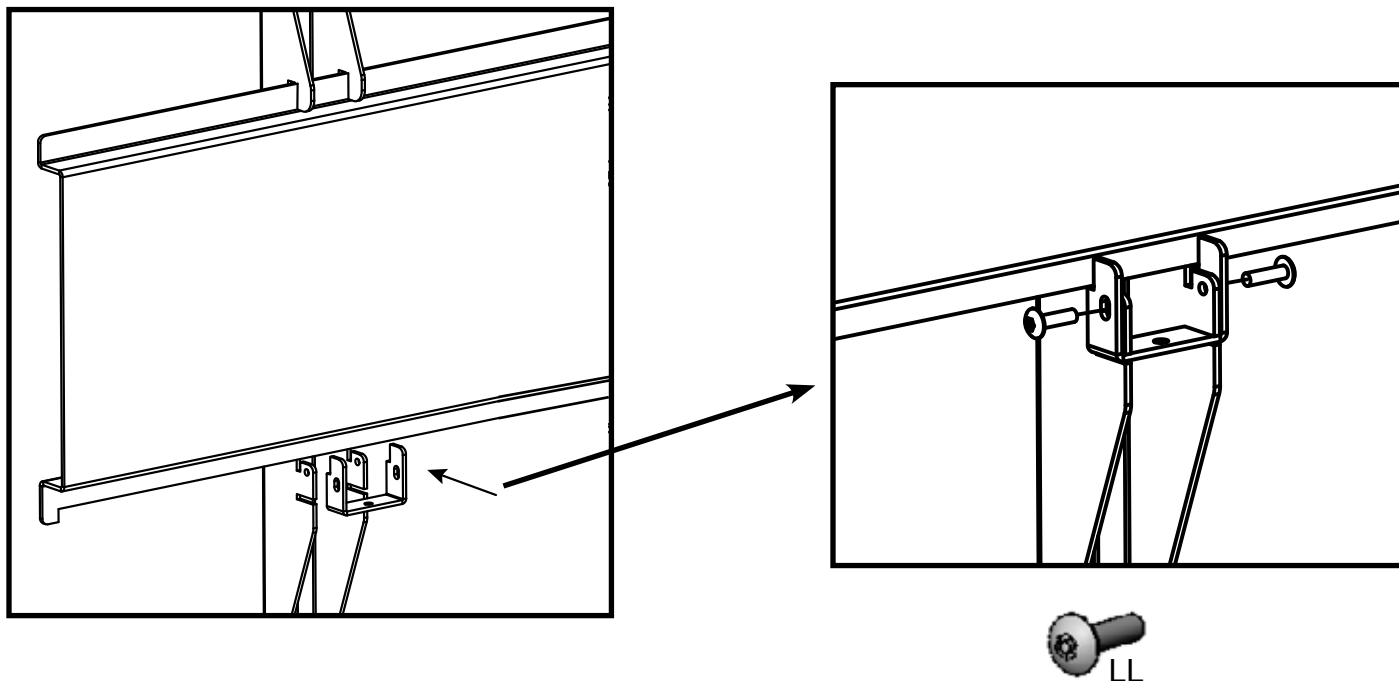
STEP 16

With someone's help, hook your monitor onto the bracket as shown. (Monitor removed from picture for clarity.)



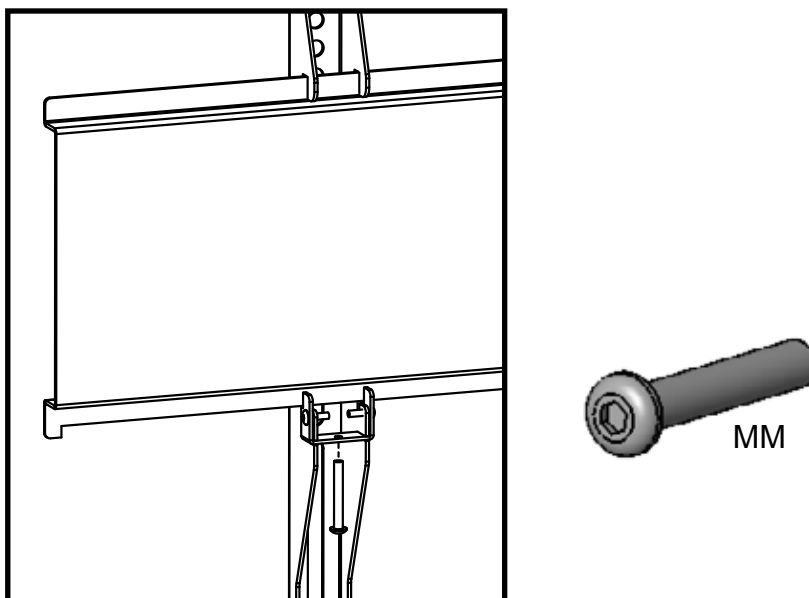
STEP 17

Attach the stop brackets to the hook bars as shown with security screws (LL) using the driver bit provided.



STEP 18

Center your monitor horizontally and then tighten in place with screws (MM).



CENTER MONITOR HORIZONTALLY THEN SECURE

Bretford
11000 Seymour Avenue
Franklin Park, IL 60131
TEL: 847.678.2545
800.521.9614
FAX: 847.678.0852
800.343.1779

Bretford Ltd.
2 Etongate
110 Windsor Road, Slough
Berkshire SL1 2JA England
TEL: 011 44 17 5353 9955
FAX: 011 44 17 5353 9478

www.bretford.com

Part # 031-8691
Rev. 05.11.11 CZ

Free Manuals Download Website

<http://myh66.com>

<http://usermanuals.us>

<http://www.somanuals.com>

<http://www.4manuals.cc>

<http://www.manual-lib.com>

<http://www.404manual.com>

<http://www.luxmanual.com>

<http://aubethermostatmanual.com>

Golf course search by state

<http://golfingnear.com>

Email search by domain

<http://emailbydomain.com>

Auto manuals search

<http://auto.somanuals.com>

TV manuals search

<http://tv.somanuals.com>