



Illustrated Parts List

Model Series

215800

TYPE NUMBERS
0108 through 0331.

TABLE OF CONTENTS

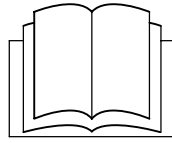
Air Cleaner	6
Alternator	9
Blower Housing	6
Camshaft	3
Carburetor	5
Controls	8
Crankshaft	3
Cylinder	2
Cylinder Head	4
Electric Starter	7
Engine Sump	2
Exhaust System	6
Flywheel	7
Fuel Supply	8
Gasket Set - Engine	4
Gasket Set - Valve	4
Governor Spring	8
Ignition	8
Intake Manifold	4
Kit - Carburetor Overhaul	5
Lubrication	3
Operator's Manual	2
Piston, Rings, Connecting Rod	3
Rewind Starter	7
Valves	4
Warning Label	2

PRINTED IN U.S.A.



COPYRIGHT by BRIGGS & STRATTON CORPORATION
All rights reserved. No part of this material may be reproduced or transmitted, in any form or by any means, electronic or mechanical, including photocopying, recording or by any information storage and retrieval system, without permission in writing from Briggs & Stratton Corporation.

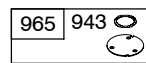
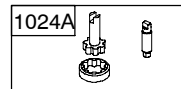
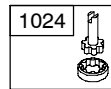
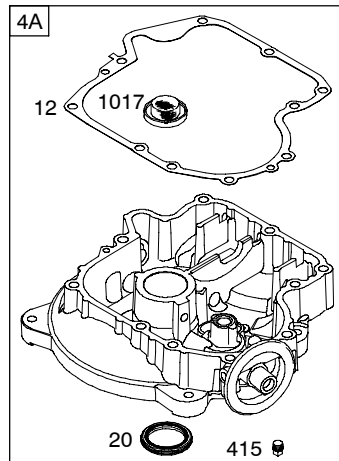
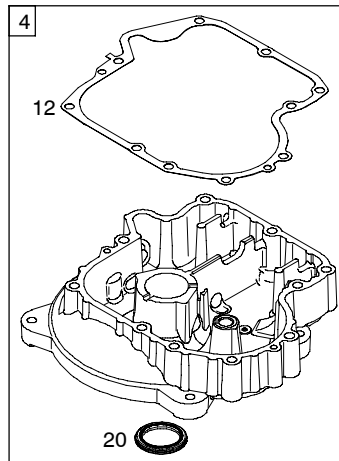
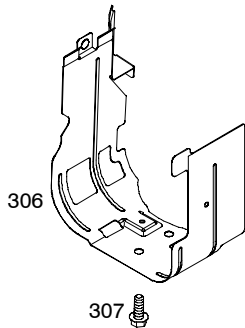
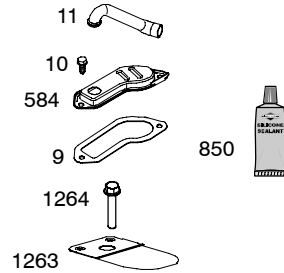
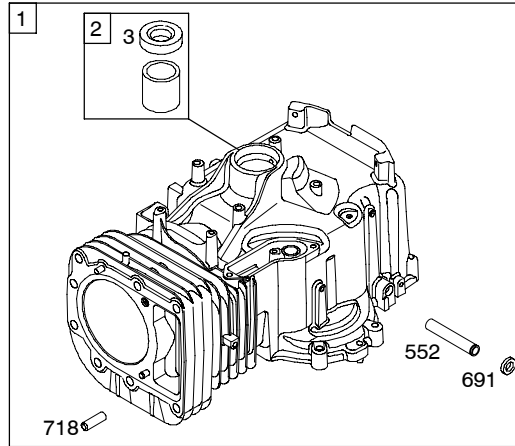
1058 OPERATOR'S MANUAL



1319 WARNING LABEL

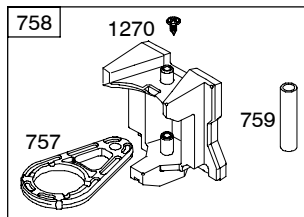
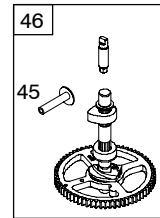
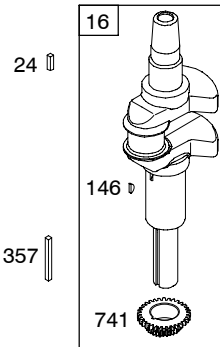
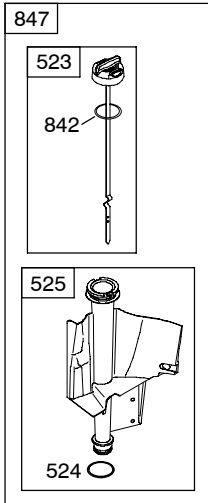
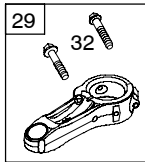
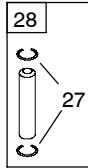
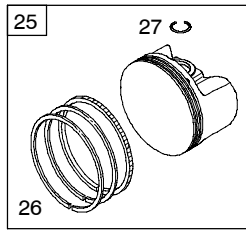
WARNING	
	Read and follow Operating Instructions before running engine.
	Gasoline is flammable. Allow engine to cool at least 2 minutes before refueling.
	Engines emit carbon monoxide, DO NOT run in enclosed area.
	Muffler area temperature may exceed 150°F. Do not touch hot parts.

REQUIRED when replacing parts with warning labels affixed.

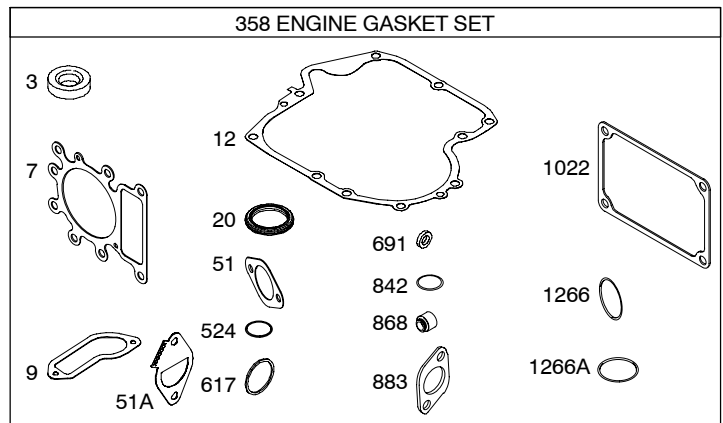
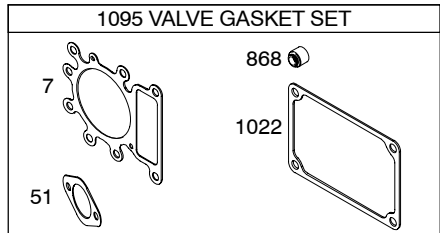
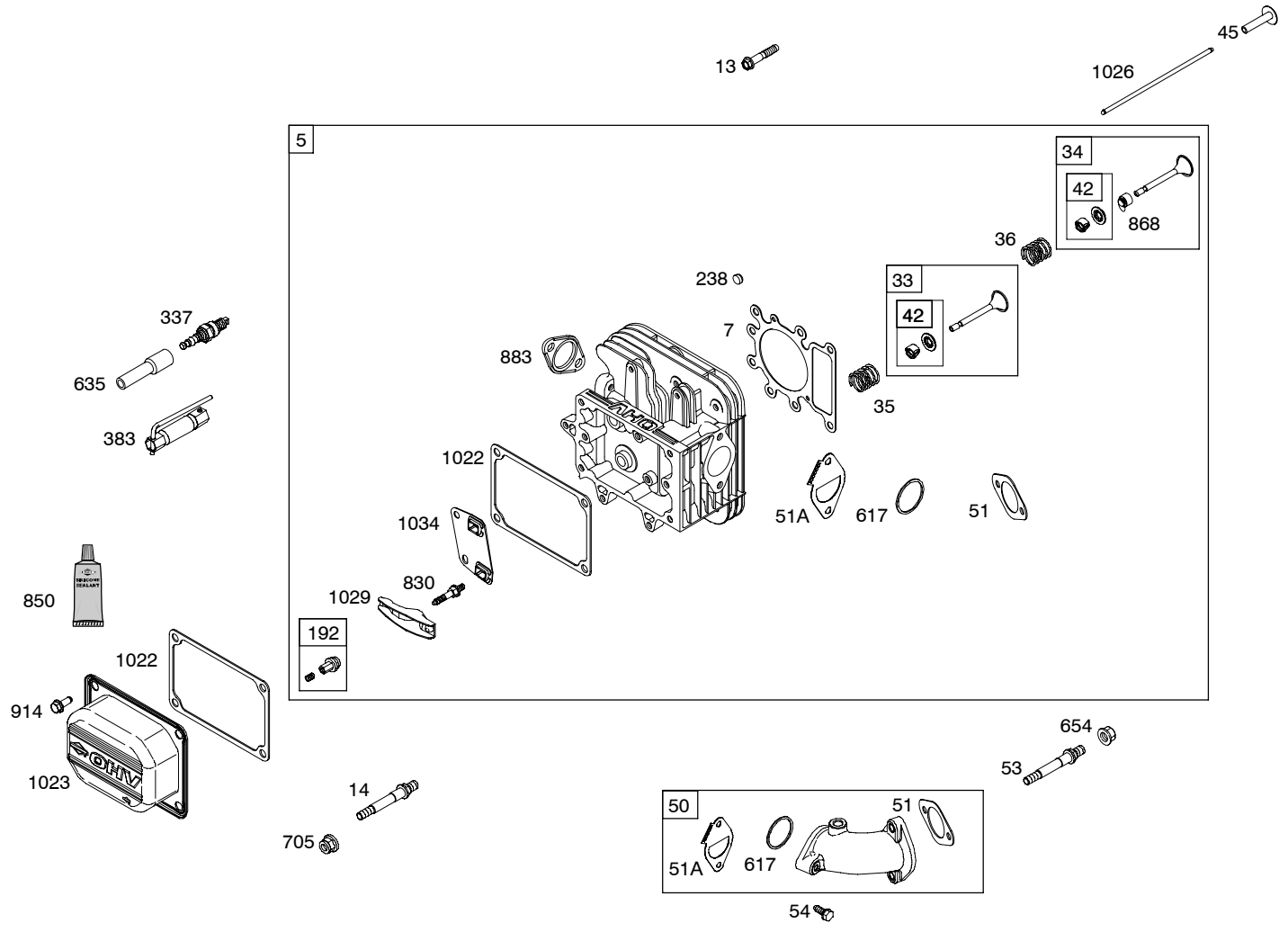


750 ⚙

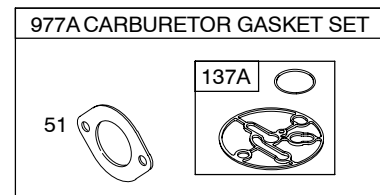
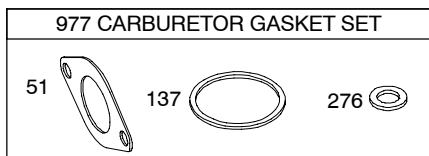
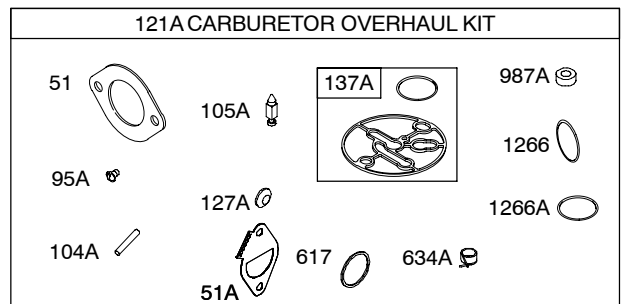
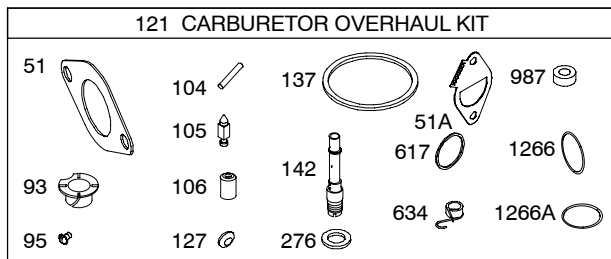
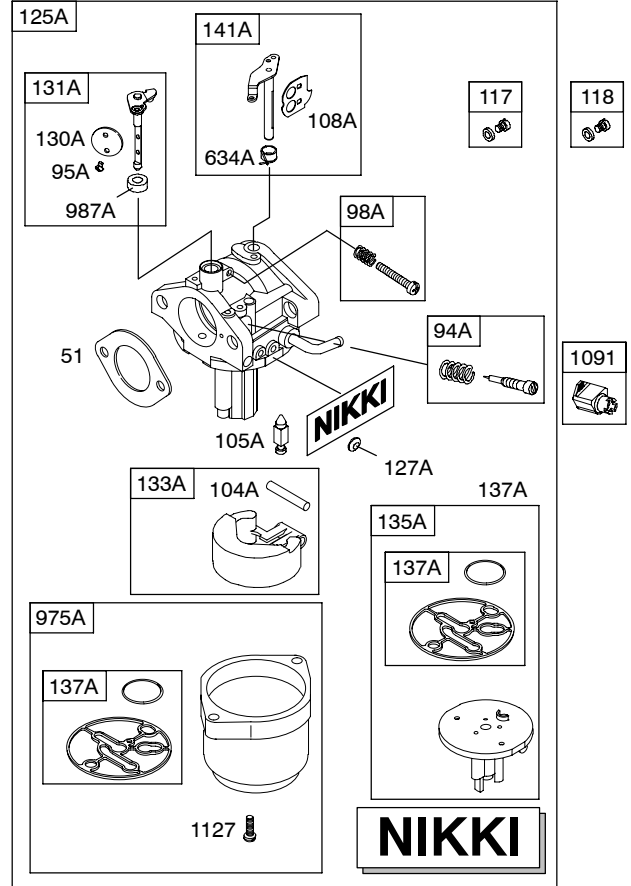
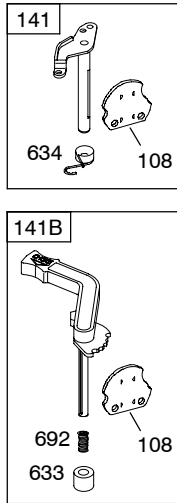
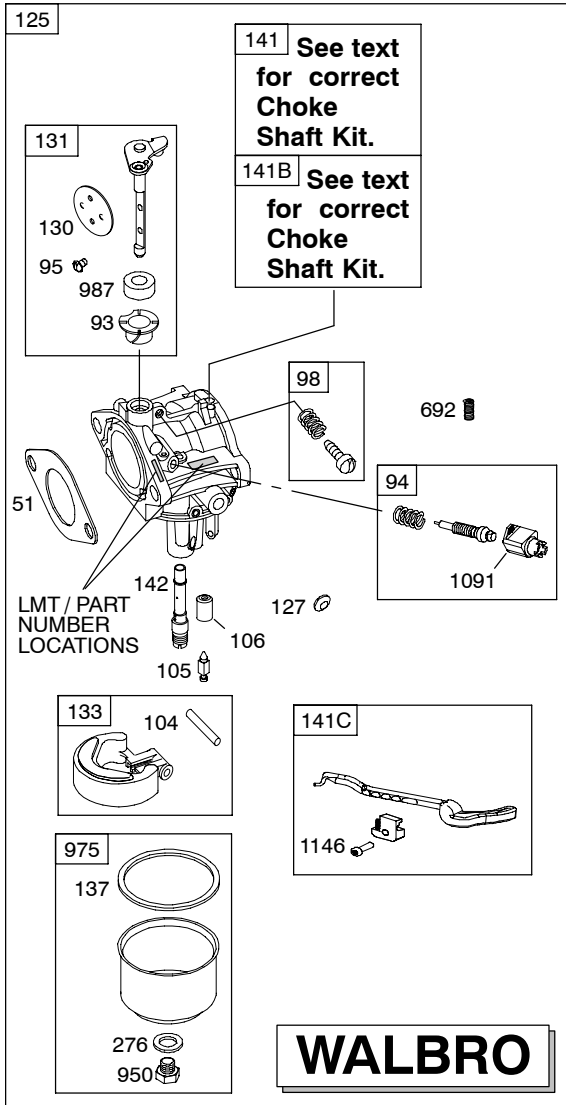
Illustrations cover a range of engines. Parts shown without corresponding text may not be used on your specific engine.



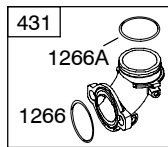
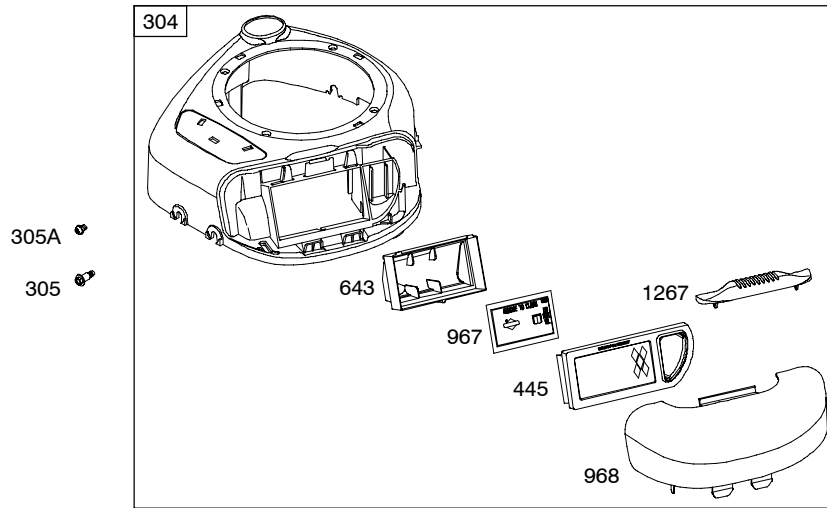
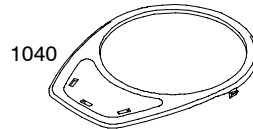
5497-3 *Illustrations cover a range of engines. Parts shown without corresponding text may not be used on your specific engine.* Assemblies include all parts shown in frames. 02/22/2008



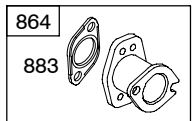
Illustrations cover a range of engines. Parts shown without corresponding text may not be used on your specific engine.



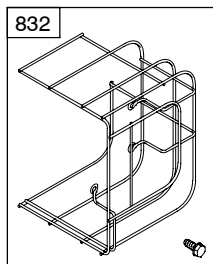
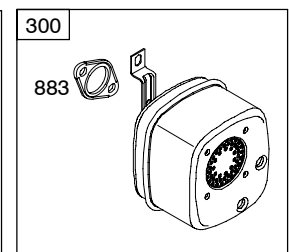
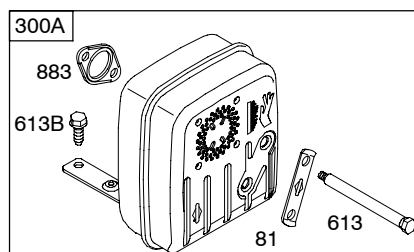
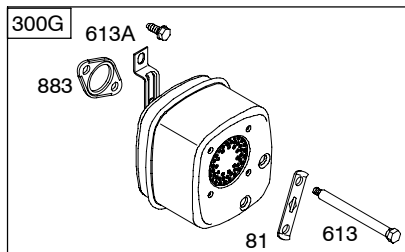
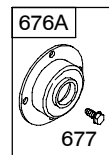
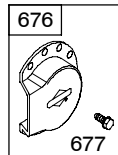
Illustrations cover a range of engines. Parts shown without corresponding text may not be used on your specific engine.



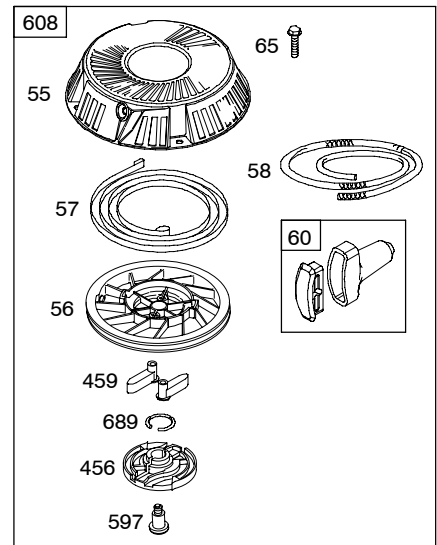
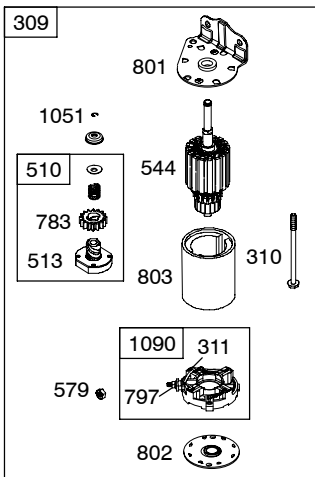
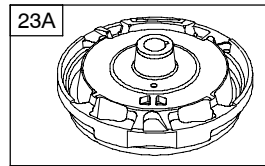
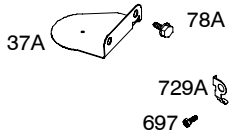
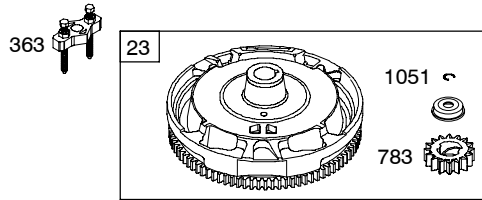
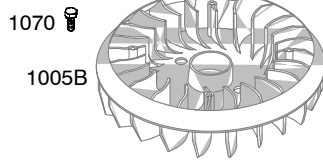
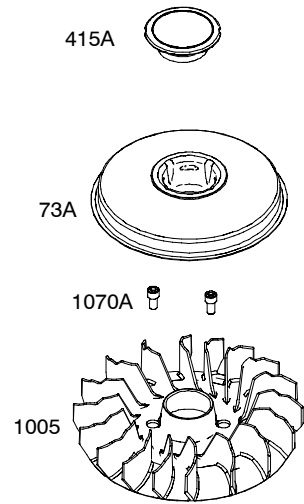
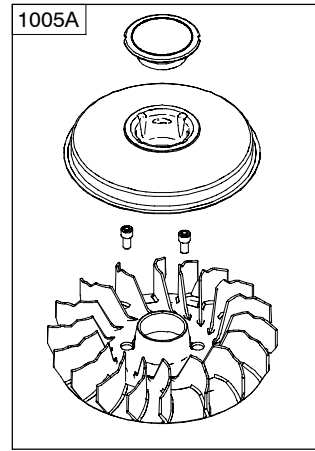
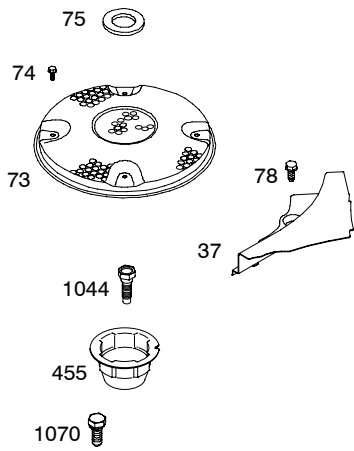
1036 EMISSIONS LABEL



823

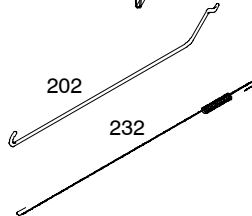
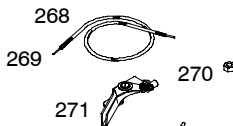
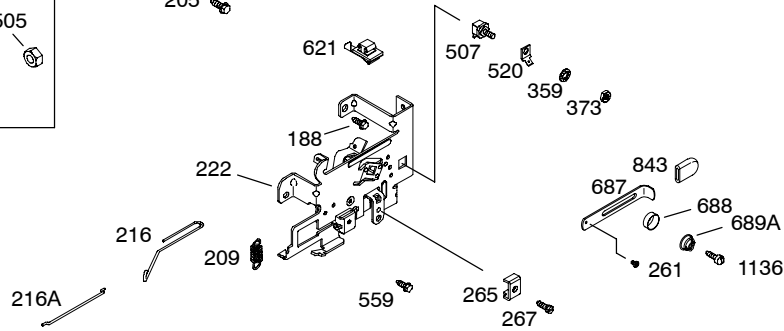
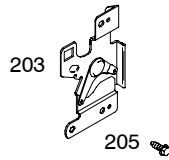
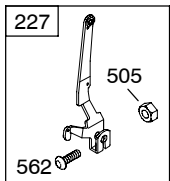
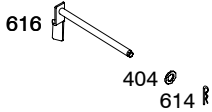
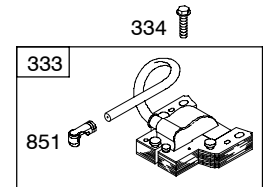
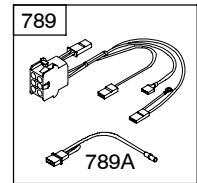
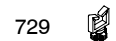
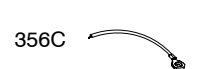
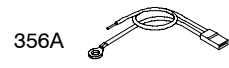
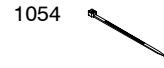
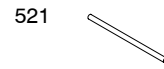
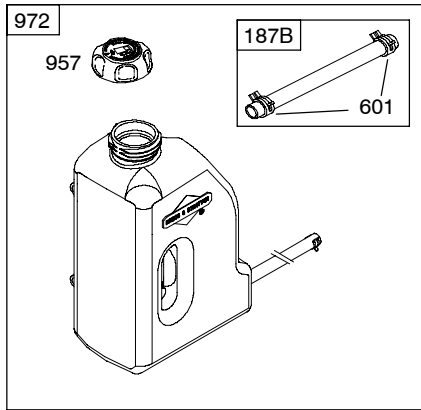
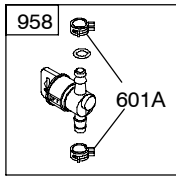
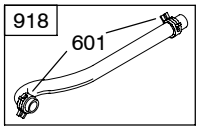
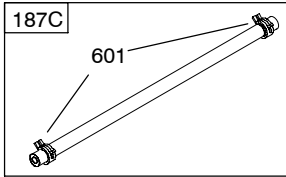
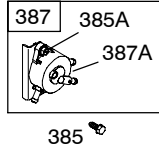
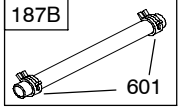
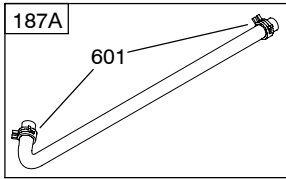
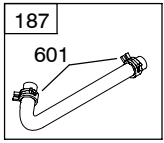


Illustrations cover a range of engines. Parts shown without corresponding text may not be used on your specific engine.

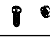

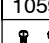
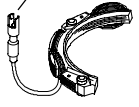


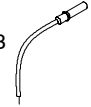

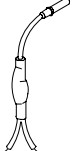




Illustrations cover a range of engines. Parts shown without corresponding text may not be used on your specific engine.

215800



Illustrations cover a range of engines. Parts shown without corresponding text may not be used on your specific engine.
 5497-8 Assemblies include all parts shown in frames. 02/22/2008

DC ONLY		DUAL CIRCUIT		TRI CIRCUIT	
474A	1059	474B	1059	474C	1059
877A		877		877B	
					
578		878		878A	5/9 AMP REGULATED
					501A  526A

NOTE: All stators use a No. 1119 mounting screw. 

NOTE: The proper flywheel part number and/or the alternator magnet size will determine the alternator type or output. See repair instruction manual for additional information.

Illustrations cover a range of engines. Parts shown without corresponding text may not be used on your specific engine.

5497-9

Assemblies include all parts shown in frames.

02/22/2008

215800

REF. NO.	PART NO.	DESCRIPTION	REF. NO.	PART NO.	DESCRIPTION	REF. NO.	PART NO.	DESCRIPTION
1	697377	Cylinder Assembly	16	698382	Crankshaft Used on Type No(s). 0101, 0105, 0108, 0113, 0117, 0118, 0119, 0130, 0132, 0223, 0274, 0313, 0314.	24	222698S	Key-Flywheel
2	399265	Kit-Bushing/Seal (Magneto Side)				25	698767	Piston Assembly (Standard) Used on Type No(s). 0101, 0105, 0108, 0113, 0118, 0130, 0223, 0274, 0313, 0314.
3	★391086S	Seal-Oil (Magneto Side)						
4	697106	Sump-Engine						
4A	697188	Sump-Engine Used on Type No(s). 0116, 0121, 0131.						
5	792964	Head-Cylinder						
7	★△273280S	Gasket-Cylinder Head						
9	★697109	Gasket-Breather (Used Before Code Date 07071900). (After Date Code Use Liquid Sealant Reference 850)						
10	697157	Screw (Breather Assembly)	20	★791892	Seal-Oil (PTO Side)			
11	794683	Tube-Breather (Used After Code Date 07071800). ----- Note ----- 697113 Tube-Breather (Used Before Code Date 07071900).	22	692125	Screw (Crankcase Cover/Sump)			
12	★697110	Gasket-Crankcase (.015" Thick) (Standard)	23	698281	Flywheel Used on Type No(s). 0101, 0105, 0108, 0133, 0134, 0135, 0137, 0324, 0331. ----- Note ----- 693557 Flywheel Used on Type No(s). 0129, 0132, 0274, 0314.			
13	690360	Screw (Cylinder Head)						
14	790560	Stud (Cylinder Head)						
15	690946	Plug-Oil Drain (3/8" Standard)						
			23A	693555	Flywheel Used on Type No(s). 0114, 0115, 0116, 0118, 0119, 0120, 0121, 0122, 0123, 0124, 0126, 0223, 0313.			

★ Included in Engine Gasket Set-Ref. No. 358.
● Included in Carburetor Overhaul Kit-Ref. No. 121 or 121A.

◆ Included in Carburetor Gasket Set-Ref. No. 977 or 977A.
△ Included in Valve Gasket Set-Ref. No 1095.

Illustrations cover a range of engines. Parts shown without corresponding text may not be used on your specific engine.

REF. NO.	PART NO.	DESCRIPTION	REF. NO.	PART NO.	DESCRIPTION	REF. NO.	PART NO.	DESCRIPTION
26	698375	Ring Set (Standard) Used on Type No(s). 0101, 0105, 0108, 0113, 0118, 0130, 0223, 0274, 0313, 0314. ----- Note ----- 697120 Ring Set (.020" Oversize) Used on Type No(s). 0101, 0105, 0108, 0113, 0118, 0130, 0223, 0274, 0313, 0314. 792306 Ring Set (Standard) Used on Type No(s). 0114, 0115, 0116, 0117, 0119, 0120, 0121, 0122, 0123, 0124, 0126, 0129, 0131, 0132, 0133, 0134, 0135, 0137, 0324, 0331. 792643 Ring Set (.020" Oversize) Used on Type No(s). 0114, 0115, 0116, 0117, 0119, 0120, 0121, 0122, 0123, 0124, 0126, 0129, 0131, 0132, 0133, 0134, 0135, 0137, 0324, 0331.	29	791633	Rod-Connecting (Standard) ----- Note ----- 697262 Rod- Connecting (.020" Undersize) (Used Before Code Date 05040400).	57	695131	Spring-Rewind Starter
			32	791118	Screw (Connecting Rod)	58	695132	Rope-Starter
			33	791934	Valve-Exhaust (Used After Code Date 06120300). ----- Note ----- 695760 Valve-Exhaust (Used Before Code Date 06120400).	60	494212	Grip-Starter Rope
			34	791935	Valve-Intake (Used After Code Date 06120300). ----- Note ----- 695761 Valve-Intake (Used Before Code Date 06120400).	65	690759	Screw (Rewind Starter) (Used After Code Date 07040800). ----- Note ----- 697725 Screw (Rewind Starter) (Used Before Code Date 07040900).
			35	691279	Spring-Valve (Intake)	73	697133	Screen-Rotating (Used Before Code Date 07040900).
			36	691279	Spring-Valve (Exhaust)	73A	794437	Screen-Rotating (Used After Code Date 07040800).
			37	697352	Guard-Flywheel	74	697897	Screw (Rotating Screen)
			37A	697626	Guard-Flywheel	75	690582	Washer (Flywheel)
			42	499586	Keeper-Valve	78	691003	Screw (Flywheel Guard)
			43	691968	Slinger-Governor/Oil	78A	690364	Screw (Flywheel Guard) (Electric Start)
			45	690564	Tappet-Valve	81	691178	Lock-Muffler Screw
			46	793880	Camshaft	93	690602	Bushing-Throttle Shaft
			50	697361	Manifold-Intake	94	498030	Kit-Idle Mixture (Walbro)
			51★◆△	692137	Gasket-Intake	94A	695425	Kit-Idle Mixture (Nikki)
			51A★◆△	794312	Gasket-Intake	95	691636	Screw (Throttle Valve) (Walbro)
			53	690227	Stud (Carburetor)	95A	690718	Screw (Throttle Valve)(Nikki)
			54	691148	Screw (Intake Manifold)	98	495800	Kit-Idle Speed (Walbro)
			55	695130	Housing-Rewind Starter	98A	695408	Kit-Idle Speed (Nikki)
			56	695129	Pulley-Starter	104	690525	Pin-Float Hinge (Walbro)
						104A	694918	Pin-Float Hinge (Nikki)

★ Included in Engine Gasket Set-Ref. No. 358.

● Included in Carburetor Overhaul Kit-Ref. No. 121 or 121A.

◆ Included in Carburetor Gasket Set-Ref. No. 977 or 977A.

△ Included in Valve Gasket Set-Ref. No. 1095.

Illustrations cover a range of engines. Parts shown without corresponding text may not be used on your specific engine.

215800

REF. NO.	PART NO.	DESCRIPTION	REF. NO.	PART NO.	DESCRIPTION	REF. NO.	PART NO.	DESCRIPTION
105	●231855S	Valve-Float Needle (Walbro)	127	●694524	Plug-Welch (Walbro)	141	790902	Kit-Choke Shaft (Walbro)
105A	●696136	Valve-Float Needle (Nikki)	127A	●690727	Plug-Welch (Nikki)			(Used After Code Date 07010700).
106	●690577	Seat-Inlet (Walbro)(Gravity Feed)	130	790024	Valve-Throttle (Walbro)			Used on Type No(s). 0114, 0115, 0129.
		----- Note -----	130A	698774	Valve-Throttle (Nikki)	141A	698778	Kit-Choke Shaft (Nikki)
		●691780 Seat-Inlet (Walbro)(Pump Feed)	131	790901	Kit-Throttle Shaft (Walbro)	141B	790903	Kit-Choke Shaft (Walbro)
108	691227	Valve-Choke (Walbro)	131A	698776	Kit-Throttle Shaft (Nikki)			(Used Before Code Date 07010800).
108A	698773	Valve-Choke (Nikki)	133	494381	Float-Carburetor (Walbro)			Used on Type No(s). 0114, 0115.
117	794352	Jet-Main (Standard)	133A	694914	Float-Carburetor (Nikki)	141C	793386	Kit-Choke Shaft (Manual Choke)
118	699898	Jet-Main (High Altitude)	135A	698780	Tube-Fuel Transfer (Nikki)(Gravity Feed)	142	●790025	Nozzle-Carburetor (Standard)
121	790031	Kit-Carburetor Overhaul (Walbro)			Used on Type No(s). 0101, 0105, 0113, 0122, 0124, 0130, 0134, 0135, 0137, 0223, 0274, 0313, 0314, 0324, 0331.	143	790028	Nozzle-Carburetor (High Altitude)
121A	698787	Kit-Carburetor Overhaul (Nikki)			----- Note -----	146	691639	Key-Timing
125	793227	Carburetor (Walbro)(Pump Feed)(Manual Choke) (Used Before Code Date 07122600). Used on Type No(s). 0114, 0115, 0129.			792022 Tube-Fuel Transfer (Nikki)(Pump Feed) (Used on Type No(s). 0108, 0116, 0117, 0118, 0119, 0120, 0121, 0123, 0126, 0131, 0132, 0133.	187	791805	Line-Fuel (Formed)(10-1/4 Inches Long)(Cut to Required Length)
125A	794653	Carburetor (Nikki)(Gravity Feed) (Used After Code Date 07122500). ----- Note -----	137●◆281165S		Gasket-Float Bowl (Walbro)	187A	791806	Line-Fuel (Formed)(21 Inches Long)(Cut To Required Length)
		791266 Carburetor (Nikki)(Pump Feed) (Used Before Code Date 07122600). Used on Type No(s). 0108, 0116, 0117, 0118, 0119, 0121, 0123, 0126, 0131, 0133.	137A	●◆698781	Gasket-Float Bowl (Nikki)	187B	791766	Line-Fuel (15 Inches Long)(Cut To Required Length)
						187C	791745	Line-Fuel (23 Inches Long)(Cut To Required Length)
						188	691693	Screw (Control Bracket)
						192	691986	Adjuster-Rocker Arm
						202	691841	Link-Mechanical Governor
						203	691381	Crank-Bell (Used on Type No(s). 0119, 0120, 0121, 0123, 0124, 0126, 0131.
						205	691693	Screw (Bell Crank)

★ Included in Engine Gasket Set-Ref. No. 358.

● Included in Carburetor Overhaul Kit-Ref. No. 121 or 121A.

◆ Included in Carburetor Gasket Set-Ref. No. 977 or 977A.

△ Included in Valve Gasket Set-Ref. No. 1095.

Illustrations cover a range of engines. Parts shown without corresponding text may not be used on your specific engine.

REF. NO.	PART NO.	DESCRIPTION	REF. NO.	PART NO.	DESCRIPTION	REF. NO.	PART NO.	DESCRIPTION
209	792813	Spring-Governor (Brown) Used on Type No(s). 0108, 0114, 0115, 0118, 0119, 0122, 0123, 0129, 0130, 0132. ----- Note ----- 792602 Spring-Governor (Red) Used on Type No(s). 0101, 0113, 0121, 0126, 0131, 0137, 0223, 0274, 0324. 692208 Spring-Governor (Green) Used on Type No(s). 0105, 0116, 0117, 0133. 690576 Spring-Governor (Gold) Used on Type No(s). 0135, 0313, 0314, 0331. 260902 Spring-Governor Used on Type No(s). 0120, 0124, 0134.	240	394358S	Filter-Fuel (White, 75 Microns) Used on Type No(s). 0105, 0108, 0113, 0122, 0124, 0130, 0134, 0135, 0137, 0223, 0274, 0313, 0314, 0324, 0331. ----- Note ----- 298090S Filter-Fuel Used on Type No(s). 0101.	304	698473	Housing-Blower (Black) ----- Note ----- 699085 Housing-Blower (Red)
216	691840	Link-Choke	240A	691035	Filter-Fuel (Clear, 40 Microns) Used on Type No(s). 0108, 0114, 0115, 0116, 0117, 0118, 0119, 0120, 0121, 0123, 0126, 0129, 0131, 0132, 0133.	305	697102	Screw (Blower Housing)
216A	691281	Link-Choke (Bell Crank) Used on Type No(s). 0119, 0120, 0121, 0123, 0124, 0126, 0131.	261	697176	Screw (Control Slide)	305A	697103	Screw (Blower Housing)
222	694042	Bracket-Control	265	691024	Clamp-Casing	306	697359	Shield-Cylinder
227	691374	Lever-Governor Control	267	794904	Screw (Casing Clamp)	307	691003	Screw (Cylinder Shield)
232	691842	Spring-Governor Link	268	691025	Casing-Control Wire (Cut To Required Length)	309	693551	Motor-Starter Used on Type No(s). 0101, 0105, 0108, 0117, 0129, 0131, 0132, 0133, 0134, 0135, 0137, 0274, 0314, 0324, 0331.
238	691843	Cap-Valve	269	691026	Wire-Control (Cut To Required Length)	310	690323	Screw (Starter Motor)
			270	691027	Nut (Control Wire Casing)	311	497608	Brush Set
			271	691028	Lever-Control	333	795315	Armature-Magneto
			276	◆692255	Washer-Sealing	334	691061	Screw (Magneto Armature)
			300	794660	Muffler Used on Type No(s). 0132.	337	491055S	Plug-Spark ----- Note ----- 691043 Plug-Spark Used on Type No(s). 0105, 0116, 0119, 0120, 0121, 0122, 0123, 0124, 0126, 0130, 0131, 0133, 0134, 0313, 0314, 0331. 692015 Plug-Spark Used on Type No(s). 0135, 0137.
			300A	697349	Muffler Used on Type No(s). 0113, 0114, 0129, 0130, 0223, 0274.	356	697397	Wire-Stop
			300G	697048	Muffler Used on Type No(s). 0108, 0115, 0116, 0117, 0118, 0119, 0120, 0121, 0122, 0123, 0124, 0126, 0131, 0134, 0313, 0314.	356A	398808	Wire-Stop
						356B	697089	Wire-Stop
						356C	399222	Wire-Stop
						357	691483	Key-Drive Pulley Used on Type No(s). 0119, 0120, 0121, 0131, 0134.

★ Included in Engine Gasket Set-Ref. No. 358.

● Included in Carburetor Overhaul Kit-Ref. No. 121 or 121A.

◆ Included in Carburetor Gasket Set-Ref. No. 977 or 977A.

▲ Included in Valve Gasket Set-Ref. No 1095.

Illustrations cover a range of engines. Parts shown without corresponding text may not be used on your specific engine.

215800

REF. NO.	PART NO.	DESCRIPTION	REF. NO.	PART NO.	DESCRIPTION	REF. NO.	PART NO.	DESCRIPTION
358	697151	Gasket Set-Engine	415	690283	Plug (Square Head)	523	699908	Dipstick
359	691077	Washer (Ground Terminal)	415A	794129	Plug (Cover/Retainer)	524	★691032	Seal-Dipstick Tube
363	19203	Puller-Flywheel	431	697122	Elbow-Intake	525	697184	Tube-Dipstick Used on Type No(s). 0101, 0105, 0113, 0122, 0124, 0130, 0134, 0135, 0137, 0223, 0274, 0313, 0314, 0324, 0331.
373	691612	Nut (Ground Terminal)	445	698413	Filter-Air Cleaner Cartridge (Non Washable)			
383	89838S	Wrench-Spark Plug	455	695113	Cup-Flywheel Used on Type No(s). 0101, 0105, 0108, 0113, 0114, 0115, 0116, 0118, 0119, 0120, 0121, 0122, 0123, 0124, 0126, 0129, 0130, 0131, 0223, 0274, 0313, 0314.			----- Note ----- 697085 Tube-Dipstick Used on Type No(s). 0108, 0114, 0115, 0116, 0117, 0118, 0119, 0120, 0121, 0123, 0126, 0129, 0131, 0132, 0133.
385	694476	Screw (Fuel Pump)	456	695128	Plate-Pawl Friction	526A	697088	Screw (Regulator)
385A	690297	Screw (Fuel Pump)	459	281505S	Pawl-Ratchet	527	792167	Clamp-Tube Used on Type No(s). 0114, 0115, 0116, 0118, 0119, 0120, 0121, 0123, 0126, 0129, 0131, 0132.
387	697090	Pump-Fuel (Includes Mounting Bracket) Used on Type No(s). 0108, 0114, 0115, 0116, 0117, 0118, 0126, 0129, 0132, 0133.	474A	696578	Alternator (DC Only) Used on Type No(s). 0129, 0132, 0133, 0134, 0274, 0314.	544	692034	Armature-Starter
387A	808656	Pump-Fuel	474B	696459	Alternator (Dual Circuit) Used on Type No(s). 0101, 0105, 0108, 0120, 0135, 0137, 0324, 0331.	552	697144	Bushing-Governor Crank
404	691691	Washer (Governor Crank)	474C	696457	Alternator (Tri Circuit) Used on Type No(s). 0117, 0131, 0132.	559	697561	Screw (Remote Choke Stop)
			501A	691188	Regulator (5/9 Amp. Regulated) Used on Type No(s). 0117, 0131.	562	691119	Bolt (Governor Control Lever)
			505	691251	Nut (Governor Control Lever)	578	692306	Wire Assembly
			507	691972	Insulator	579	691029	Nut (Starter Cable)
			510	693699	Drive-Starter	584	794682	Cover-Breather Passage (Used After Code Date 07071800). (Use With Liquid Sealant Reference 850)
			513	692024	Clutch-Drive			----- Note ----- 697112 Cover- Breather Passage (Used Before Code Date 07071900).
			520	691084	Terminal-Ground			
			521	690581	Shield-Cable Used on Type No(s). 0101, 0105, 0116, 0223, 0274, 0313, 0314.			

★ Included in Engine Gasket Set-Ref. No. 358.

● Included in Carburetor Overhaul Kit-Ref. No. 121 or 121A.

◆ Included in Carburetor Gasket Set-Ref. No. 977 or 977A.

△ Included in Valve Gasket Set-Ref. No. 1095.

Illustrations cover a range of engines. Parts shown without corresponding text may not be used on your specific engine.

5497-14

Assemblies include all parts shown in frames.

02/22/2008

REF. NO.	PART NO.	DESCRIPTION	REF. NO.	PART NO.	DESCRIPTION	REF. NO.	PART NO.	DESCRIPTION
597	691696	Screw (Pawl Friction Plate)	677	690661	Screw (Muffler Deflector)	801	691283	Cap-Drive
601	791850	Clamp-Hose	687	697175	Slide-Control Used on Type No(s). 0114, 0115, 0129.	802	691286	Cap-End
601A	691038	Clamp-Hose	688	690395	Cap-Friction Used on Type No(s). 0114, 0115, 0129.	803		Housing-Starter (Not Serviced Separately, Order Starter Motor 693551)
608	695058	Starter-Rewind Used on Type No(s). 0108, 0113, 0114, 0115, 0116, 0118, 0119, 0120, 0121, 0122, 0123, 0124, 0126, 0129, 0130, 0131, 0223, 0274, 0313, 0314.	689	691855	Spring-Friction	823	698941	Screw (Muffler Adapter)
613	691416	Screw (Muffler)	689A	690529	Spring-Friction Used on Type No(s). 0114, 0115, 0129.	830	691095	Stud-Rocker Arm
613A	691678	Screw (Muffler)	691	★692407	Seal-Governor Shaft	832	790293	Guard-Muffler Used on Type No(s). 0119, 0121, 0124, 0131, 0313, 0314.
613B	690297	Screw (Muffler)	692	691301	Spring-Detent Used on Type No(s). 0114, 0115, 0129.	842	★691031	Seal-O Ring (Dipstick Tube)
614	691620	Pin-Cotter	697	690372	Screw (Drive Cap)	843	697158	Sleeve-Lever
616	692012	Crank-Governor	705	790561	Nut (Fuel Tank)	847	790442	Dipstick/Tube Assembly Used on Type No(s). 0101, 0105, 0113, 0122, 0124, 0130, 0134, 0135, 0137, 0223, 0274, 0313, 0314, 0324, 0331.
617	★692138	Seal-O Ring (Intake Manifold)	718	690959	Pin-Locating			----- Note -----
621	692310	Switch-Stop Used on Type No(s). 0101, 0105, 0108, 0114, 0115, 0116, 0118, 0119, 0120, 0121, 0122, 0123, 0124, 0126, 0129, 0131, 0223, 0274, 0313, 0314.	725	690403	Shield-Heat Used on Type No(s). 0122.			790443 Dipstick/Tube Assembly Used on Type No(s). 0108, 0114, 0115, 0116, 0117, 0118, 0119, 0120, 0121, 0123, 0126, 0129, 0131, 0132, 0133.
633	690597	Seal-Choke/Throttle Shaft	729	691335	Clip-Wire (Wire Retainer)	850	100100	Sealant-Liquid (Rocker Cover Gasket and Breather Gasket) (Used After Code Date 07071800).
634	●690802	Spring/Seal Assembly (Walbro)	729A	691224	Clip-Wire (Starter Motor)	851	692424	Terminal-Spark Plug
634A	●698779	Spring/Seal Assembly (Nikki)	741	697128	Gear-Timing	864	697346	Adapter-Muffler ----- Note -----
635	691909	Boot-Spark Plug	750	790832	Screw (Oil Pump Cover) Used on Type No(s). 0116, 0121, 0131.			794661 Adapter Muffler Used on Type No(s). 0132.
643	697155	Retainer-Air Filter	757	793242	Link-Counterweight	868	★Δ690968	Seal-Valve
654	690958	Nut (Carburetor)	758	697391	Counterweight Used on Type No(s). 0114, 0115, 0116, 0117, 0119, 0120, 0121, 0122, 0123, 0124, 0126, 0129, 0131, 0132, 0133, 0134, 0135, 0137, 0324, 0331.	877	393456	Wire/Connector- Alternator (Dual Circuit)
676	795036	Deflector-Muffler (Side Out) Used on Type No(s). 0108, 0114, 0115, 0117, 0118, 0120, 0123, 0124, 0129, 0132, 0134.	759	697392	Pin-Counterweight	877A	393814	Wire/Connector- Alternator (DC Only)
676A	396903	Deflector-Muffler (Direct Out) Used on Type No(s). 0116, 0122.	783	693713	Gear-Pinion	877B	393537	Wire/Connector- Alternator (Tri Circuit)
			788	699347	Bracket-Fuel Pump Used on Type No(s). 0119, 0120, 0121, 0123, 0131.			
			789	698329	Harness-Wiring			
			789A	790544	Harness-Wiring			
			797	693167	Nut (Brush Retainer)			

★ Included in Engine Gasket Set-Ref. No. 358.

● Included in Carburetor Overhaul Kit-Ref. No. 121 or 121A.

◆ Included in Carburetor Gasket Set-Ref. No. 977 or 977A.

Δ Included in Valve Gasket Set-Ref. No. 1095.

Illustrations cover a range of engines. Parts shown without corresponding text may not be used on your specific engine.

215800

REF. NO.	PART NO.	DESCRIPTION	REF. NO.	PART NO.	DESCRIPTION	REF. NO.	PART NO.	DESCRIPTION
878	398661	Harness-Alternator (Dual Circuit)	1017	690770	Screen-Oil Pump Used on Type No(s). 0116, 0121, 0131.	1059	698516	Kit-Screw/Washer
878A	691955	Harness-Alternator (Tri Circuit)	1022★△272475S		Gasket-Rocker Cover (Used Before Code Date 07091000). (After Date Code Use liquid Sealant Reference 850)	1070	690372	Screw (Flywheel Fan) (Used Before Code Date 07040900).
883	★692236	Gasket-Exhaust	1023	692492	Cover-Rocker	1070A	690363	Screw (Flywheel Fan) (Used After Code Date 07040800).
914	691108	Screw (Rocker Cover)	1024	499054	Pump-Oil (Used Before Code Date 07051700).	1090	691293	Retainer-Brush
918	791851	Hose-Vacuum (Molded)	1024A	794644	Pump-Oil (Used After Code Date 07051600).	1091	691333	Cap-Limiter
943	690589	Seal-O Ring (Oil Pump Cover) Used on Type No(s). 0116, 0121, 0131.	1026	697395	Rod-Push (Exhaust)	1095	691581	Gasket Set-Valve
950	691657	Screw-Float Bowl			----- Note -----	1119	691183	Screw (Alternator)
957	792647	Cap-Fuel Tank (Plastic)	1027	492932S	Filter-Oil	1127	695407	Screw (Float Bowl)
958	698183	Valve-Fuel Shut Off (Plastic) Used on Type No(s). 0116, 0122.	1029	691751	Arm-Rocker	1136	690278	Screw (Control Bracket)
965	499613	Cover-Oil Pump	1034	690822	Guide-Push Rod Label-Emissions (Available From A Briggs & Stratton Authorized Dealer)	1146	793380	Screw (Choke Shaft)(Manual Choke)
967	697292	Filter-Pre Cleaner	1036		697394 Rod-Push (Intake)	1263	697124	Reed-Breather
968	697420	Cover-Air Cleaner (Black)	1036A	698979	Label-Emissions Used on Type No(s). 0116, 0122, 0126.	1264	697104	Screw (Breather Reed)
972	792168	Tank-Fuel (Plastic) Used on Type No(s). 0114, 0115, 0116, 0118, 0119, 0120, 0121, 0123, 0126, 0129, 0131, 0132.	1040	698368	Plate-Trim Used on Type No(s). 0101, 0105, 0117, 0120, 0132E9, 0133, 0134, 0135, 0137, 0324, 0331.	1266	★691917	Seal-O Ring (Intake Elbow)
975	495933	Bowl-Float (Walbro)	1044	698139	Screw (Flywheel)	1266A	★697123	Seal-O Ring (Intake Elbow)
975A	698783	Bowl-Float (Nikki)	1051	691265	Ring-Retaining	1267	697419	Latch-Blower Housing (Black)
977	690192	Gasket Set-Carburetor (Walbro)	1054	280275	Tie-Cable	1270	697156	Plug-AVS Counterweight
977A	790032	Gasket Set-Carburetor (Nikki)	1058	276344	Operator's Manual			----- Note -----
987	●691326	Seal-Throttle Shaft (Walbro)			MS3787 Manual-Operator's Used on Type No(s). 0274, 0101, 0132, 0137.			793243 Plug-AVS Counterweight Used on Type No(s). 0114, 0115, 0116, 0120, 0121, 0122, 0123, 0124, 0126, 0129, 0131, 0133, 0134, 0135, 0137, 0324, 0331.
987A	●698777	Seal-Throttle Shaft (Nikki)			MS3788 Manual-Operator's Used on Type No(s). 0105, 0117, 0119, 0120, 0121, 0122, 0123, 0124, 0126, 0130, 0131, 0133, 0134.	1319	794467	Label-Warning
1005	699044	Fan-Flywheel (Used After Code Date 07040800).						
1005A	794440	Fan-Flywheel (Used Before Code Date 07040900).						
1005B		Fan-Flywheel (No Longer Available) (See Reference 1005A For Service Flywheel Fan).						

★ Included in Engine Gasket Set-Ref. No. 358.

● Included in Carburetor Overhaul Kit-Ref. No. 121 or 121A.

◆ Included in Carburetor Gasket Set-Ref. No. 977 or 977A.

△ Included in Valve Gasket Set-Ref. No. 1095.

Illustrations cover a range of engines. Parts shown without corresponding text may not be used on your specific engine.

5497-16

Assemblies include all parts shown in frames.

02/22/2008

Free Manuals Download Website

<http://myh66.com>

<http://usermanuals.us>

<http://www.somanuals.com>

<http://www.4manuals.cc>

<http://www.manual-lib.com>

<http://www.404manual.com>

<http://www.luxmanual.com>

<http://aubethermostatmanual.com>

Golf course search by state

<http://golfingnear.com>

Email search by domain

<http://emailbydomain.com>

Auto manuals search

<http://auto.somanuals.com>

TV manuals search

<http://tv.somanuals.com>