



Illustrated Parts List

Model Series

217900

TYPE NUMBER
0015 through 0141.

TABLE OF CONTENTS

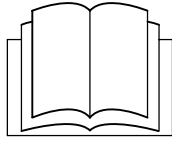
Air Cleaner	6
Alternator	9
Blower Housing	6
Camshaft	3
Carburetor	5
Controls	8
Crankshaft	3
Cylinder	2
Cylinder Head	4
Electric Starter	7
Engine Sump	2
Exhaust System	6
Flywheel	7
Fuel Supply	8
Gasket Set - Engine	4
Gasket Set - Valve	4
Intake Manifold	4
Ignition	8
Kit - Carburetor Overhaul	5
Lubrication	3
Operator's Manual	2
Piston, Rings, Connecting Rod	3
Rewind Starter	7
Valves	4
Warning Label	2

PRINTED IN U.S.A.



COPYRIGHT by BRIGGS & STRATTON CORPORATION
All rights reserved. No part of this material may be reproduced or transmitted, in any form or by any means, electronic or mechanical, including photocopying, recording or by any information storage and retrieval system, without permission in writing from Briggs & Stratton Corporation.

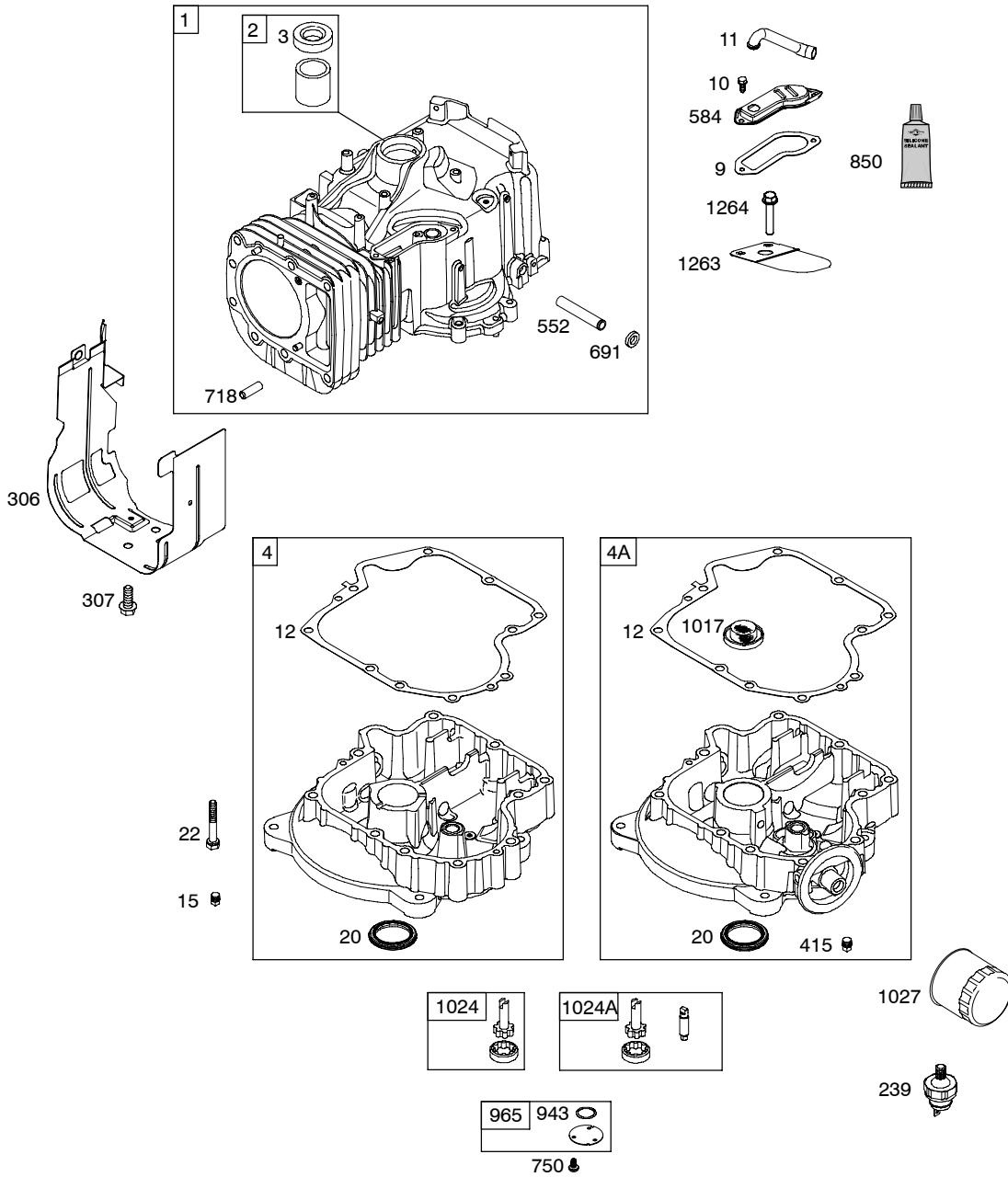
1058 OPERATOR'S MANUAL



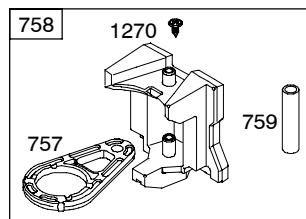
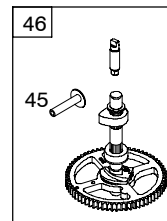
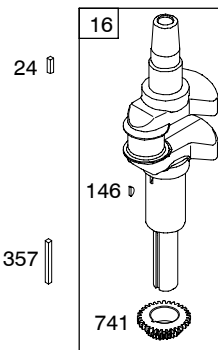
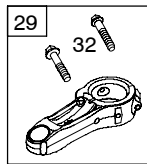
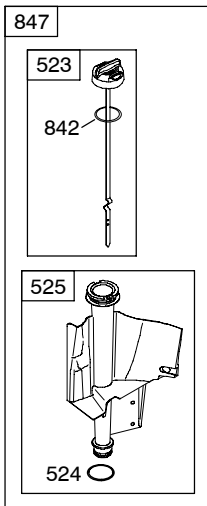
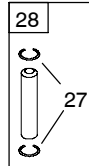
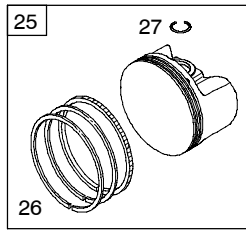
1319 WARNING LABEL

	WARNING
	Read and follow Operating Instructions before running engine.
	Gasoline is flammable. Allow engine to cool at least 2 minutes before refueling.
	Engines emit carbon monoxide, DO NOT run in enclosed area.
	Muffler area temperature may exceed 150°F. Do not touch hot parts.

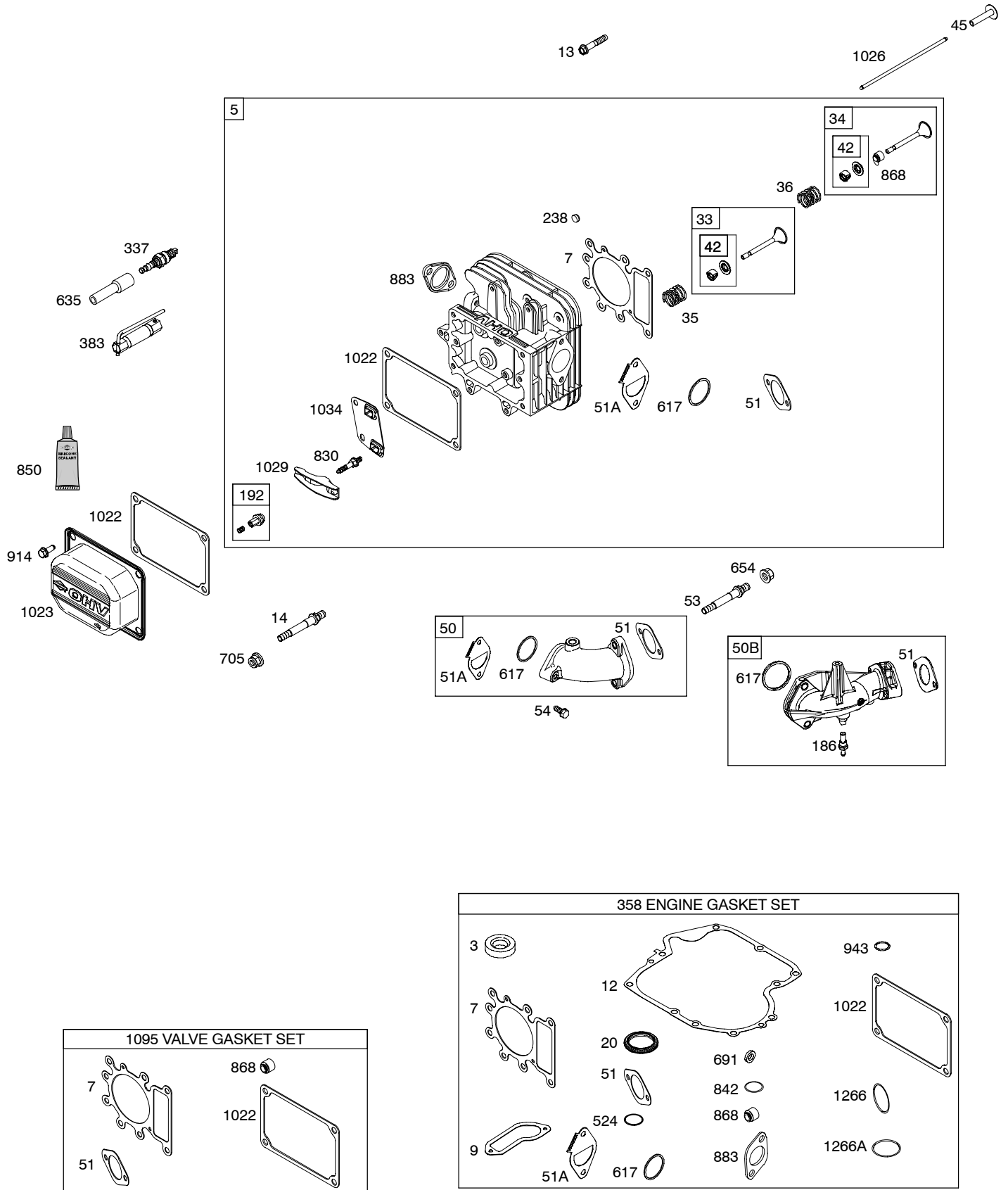
REQUIRED when replacing parts with warning labels affixed.



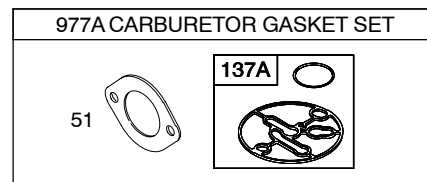
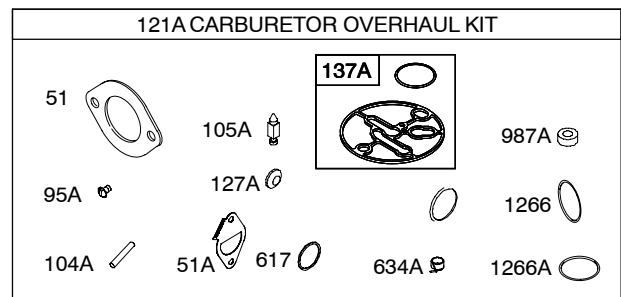
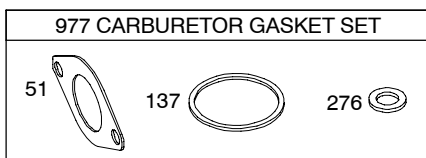
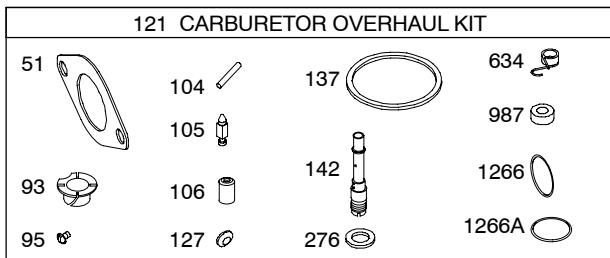
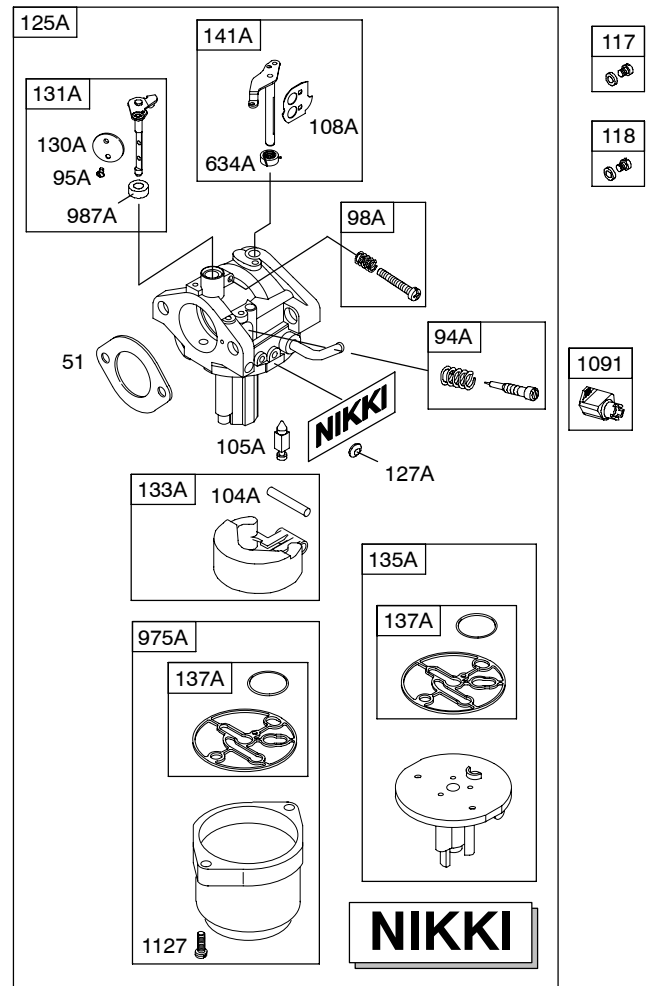
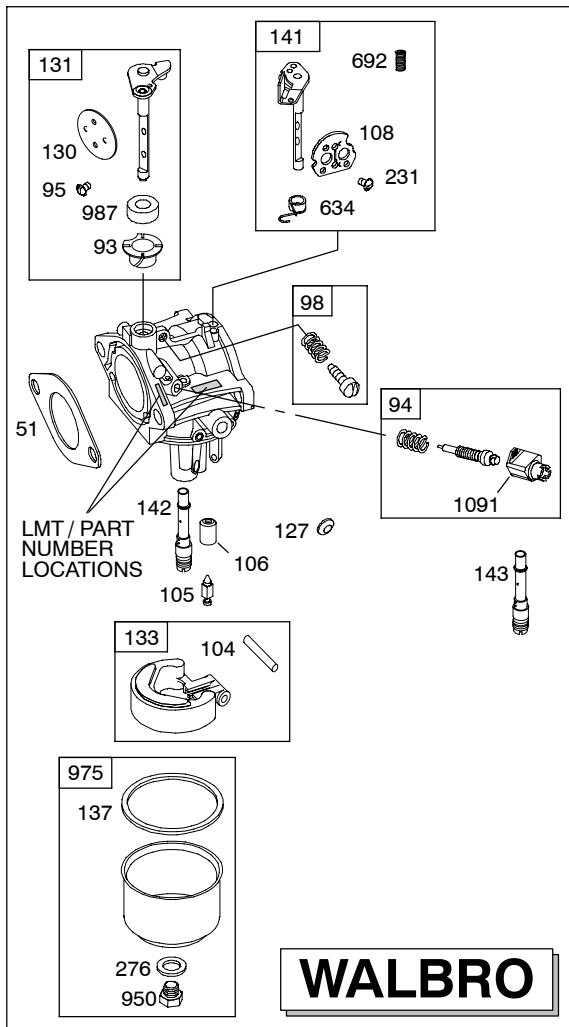
Illustrations cover a range of engines. Parts shown without corresponding text may not be used on your specific engine.



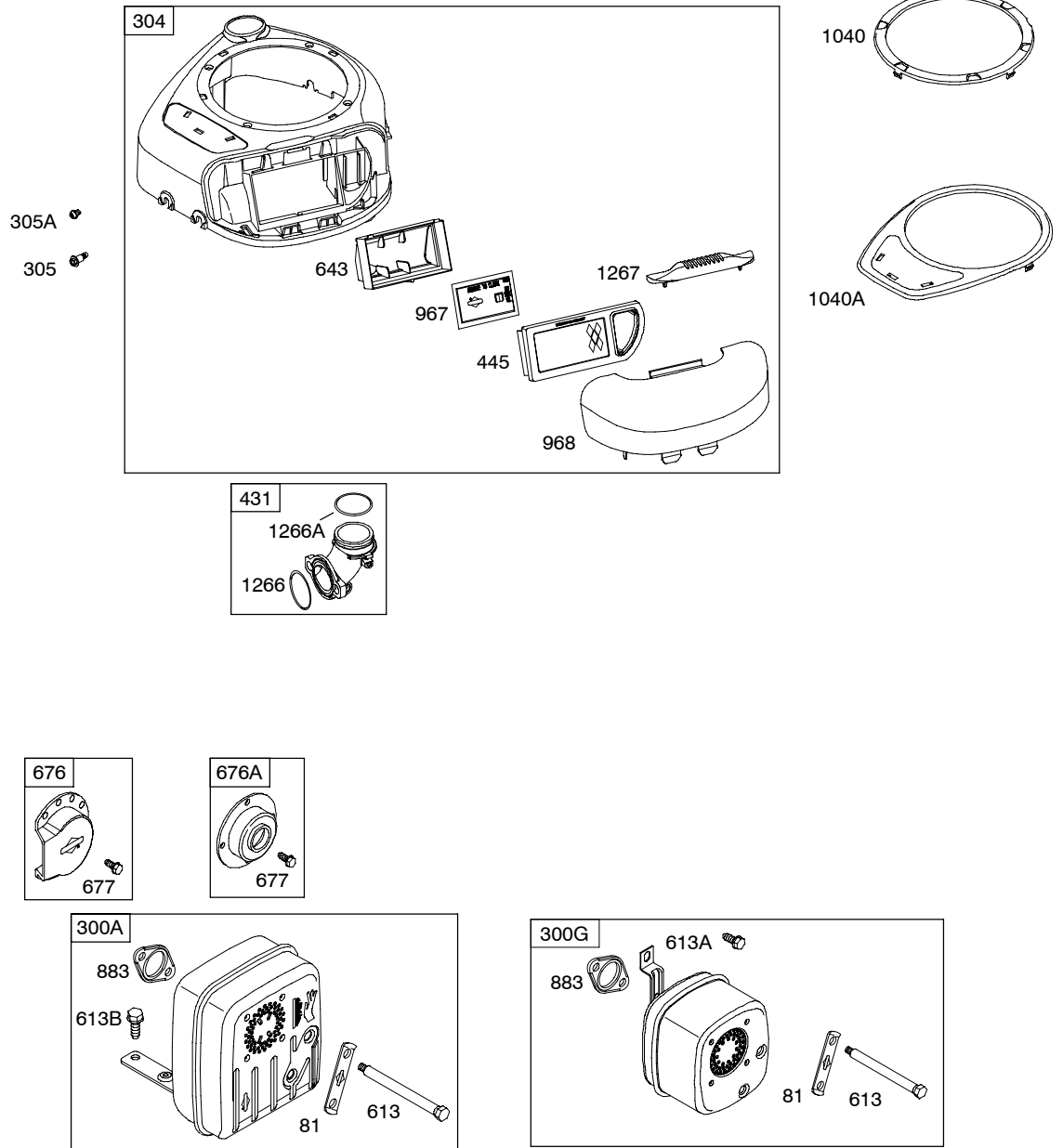
Illustrations cover a range of engines. Parts shown without corresponding text may not be used on your specific engine.
 5708-3 Assemblies include all parts shown in frames. 03/03/2008



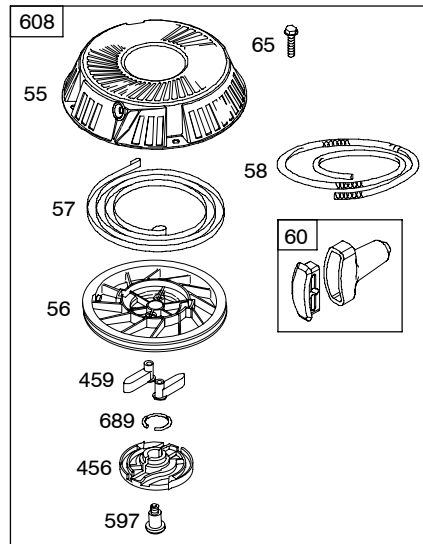
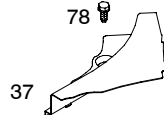
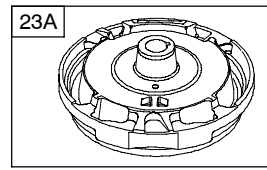
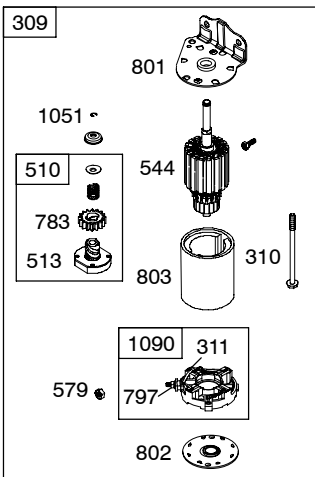
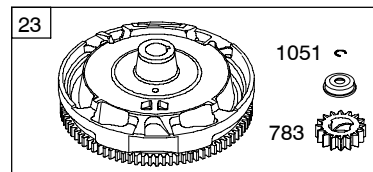
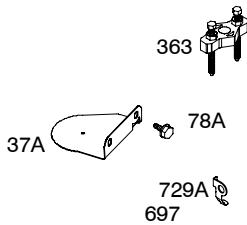
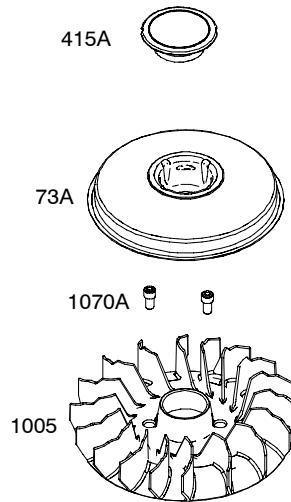
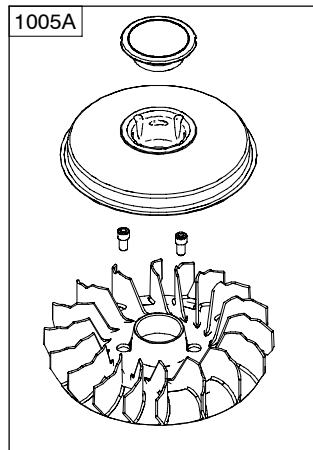
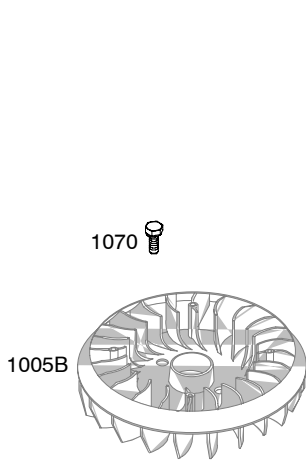
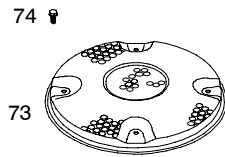
Illustrations cover a range of engines. Parts shown without corresponding text may not be used on your specific engine.



Illustrations cover a range of engines. Parts shown without corresponding text may not be used on your specific engine.

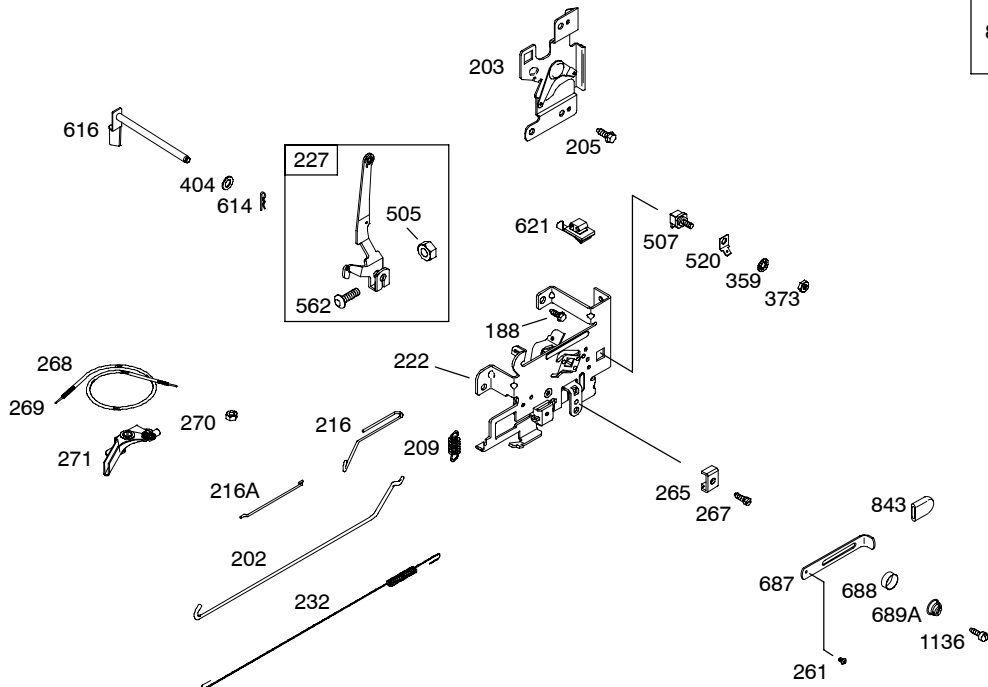
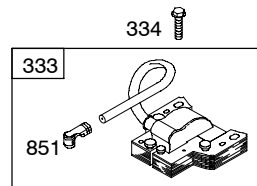
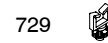
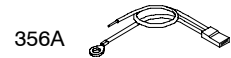
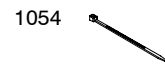
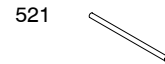
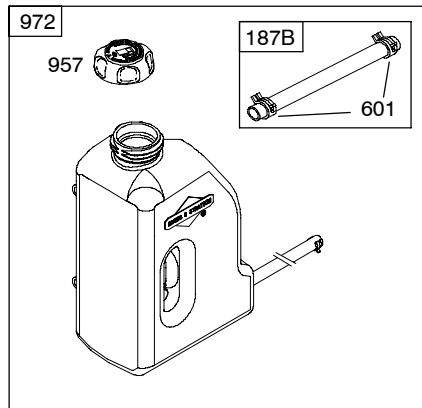
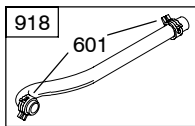
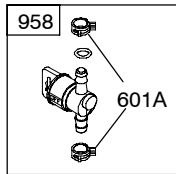
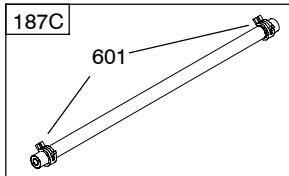
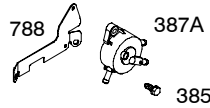
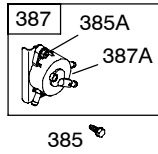
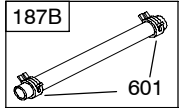
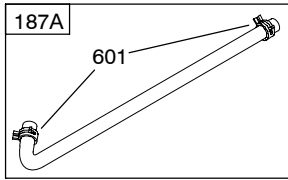
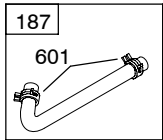


Illustrations cover a range of engines. Parts shown without corresponding text may not be used on your specific engine.








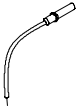
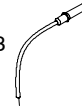
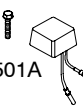




Illustrations cover a range of engines. Parts shown without corresponding text may not be used on your specific engine.

217900



Illustrations cover a range of engines. Parts shown without corresponding text may not be used on your specific engine.

DUAL CIRCUIT		5 - 9 AMP		10 - 16 AMP	
474B	1059	474C	1059	474D	1059
877		877B		877C	
					
878		578		578	
		526A		526B	
		501A		501D	

NOTE: All stators use a No. 1119 mounting screw. 

NOTE: The proper flywheel part number and/or the alternator magnet size will determine the alternator type or output. See repair instruction manual for additional information.

Illustrations cover a range of engines. Parts shown without corresponding text may not be used on your specific engine.

217900

REF. NO.	PART NO.	DESCRIPTION	REF. NO.	PART NO.	DESCRIPTION	REF. NO.	PART NO.	DESCRIPTION
1	697377	Cylinder Assembly	23	698281	Flywheel Used on Type No(s). 0025, 0028, 0112, 0118, 0128, 0133, 0135.	28	697099	Pin-Piston
2	399265	Kit-Bushing/Seal (Magneto Side)				29	791633	Rod-Connecting (Standard)
3	★391086S	Seal-Oil (Magneto Side)						----- Note -----
4	697106	Sump-Engine						697262 Rod-Connecting (.020" Undersize) (Used Before Code Date 05040400).
4A	697188	Sump-Engine Used on Type No(s). 0112, 0118, 0122.						
5	792964	Head-Cylinder				32	791118	Screw (Connecting Rod)
7★△273280S		Gasket-Cylinder Head						
9	★697109	Gasket-Breather (Used Before Code Date 07071900). (After Date Code Use Liquid Sealant Reference 850)				33	791934	Valve-Exhaust (Used After Code Date 06120300). ----- Note -----
10	697157	Screw (Breather Assembly)	23A	693555	Flywheel Used on Type No(s). 0015, 0020, 0117, 0119, 0124, 0127.			695760 Valve-Exhaust (Used Before Code Date 06120400).
11	794683	Tube-Breather (Used After Code Date 07071800). ----- Note -----				34	791935	Valve-Intake (Used After Code Date 06120300). ----- Note -----
		697113 Tube-Breather (Used Before Code Date 07071900).	24	222698S	Key-Flywheel			695761 Valve-Exhaust (Used Before Code Date 06120400).
12	★697110	Gasket-Crankcase (.015" Thick) (Standard)	25	792305	Piston Assembly (Standard) ----- Note -----	35	691279	Spring-Valve (Intake)
13	690360	Screw (Cylinder Head)				36	691279	Spring-Valve (Exhaust)
14	790560	Stud (Cylinder Head)	26	792306	Ring Set (Standard) ----- Note -----	37	697352	Guard-Flywheel
15	690946	Plug-Oil Drain (3/8" Standard)				37A	697626	Guard-Flywheel (Electric Start) Used on Type No(s). 0015, 0016, 0020, 0117, 0119, 0124, 0127, 0134.
16	697390	Crankshaft						
20	★791892	Seal-Oil (PTO Side)	27	698469	Lock-Piston Pin (Used After Code Date 02100300). ----- Note -----	42	499586	Keeper-Valve
22	692125	Screw (Crankcase Cover/Sump)				43	691968	Slinger-Governor/Oil
						45	690564	Tappet-Valve
						46	793880	Camshaft
						50	697361	Manifold-Intake
						50B	795756	Manifold-Intake Used on Type No(s). 0015G1, 0016G1, 0019G1, 0025G1.
								51★△●●692137 Gasket-Intake
								51A★△●●791312 Gasket-Intake

★ Included in Engine Gasket Set-Ref. No. 358.

● Included in Carburetor Overhaul Kit-Ref. No. 121 or 121A.

◆ Included in Carburetor Gasket Set-Ref. No. 977 or 977A.

△ Included in Valve Gasket Set-Ref. No. 1095.

Illustrations cover a range of engines. Parts shown without corresponding text may not be used on your specific engine.

5708-10

Assemblies include all parts shown in frames.

03/03/2008

REF. NO.	PART NO.	DESCRIPTION	REF. NO.	PART NO.	DESCRIPTION	REF. NO.	PART NO.	DESCRIPTION
53	690227	Stud (Carburetor)	98	495800	Kit-Idle Speed (Walbro)	130	790024	Valve-Throttle (Walbro)
54	691148	Screw (Intake Manifold)	98A	695408	Kit-Idle Speed (Nikki)	130A	698774	Valve-Throttle (Nikki)
55	695130	Housing-Rewind Starter	104	●690525	Pin-Float Hinge (Walbro)	131	790901	Kit-Throttle Shaft (Walbro)
56	695129	Pulley-Starter	104A	●694918	Pin-Float Hinge (Nikki)	131A	698776	Kit-Throttle Shaft (Nikki)
57	695131	Spring-Rewind Starter	105	●231855S	Valve-Float Needle (Walbro)	133	494381	Float-Carburetor (Walbro)
58	695132	Rope-Starter ----- Note ----- 790415 Rope-Starter Used on Type No(s). 0117.	105A	●696136	Valve-Float Needle (Nikki)	133A	694914	Float-Carburetor (Nikki)
60	494212	Grip-Starter Rope	106	●690577	Seat-Inlet (Walbro)(Gravity Feed) ----- Note ----- ●691780 Seat-Inlet (Walbro)(Pump Feed)	135A	698780	Tube-Fuel Transfer (Nikki)(Gravity Feed) ----- Note ----- 792022 Tube-Fuel Transfer (Nikki)(Pump Feed)
65	690759	Screw (Rewind Starter) (Used After Code Date 07040800). ----- Note ----- 697725 Screw (Rewind Starter) (Used Before Code Date 07040900).	108	691227	Valve-Choke (Walbro)	137●♦281165s		Gasket-Float Bowl (Walbro)
73	697133	Screen-Rotating (Used Before Code Date 07040900).	108A	698773	Valve-Choke (Nikki)	137A	♦♦698781	Gasket-Float Bowl (Nikki)
73A	794437	Screen-Rotating (Used After Code Date 07040800).	117	●794352	Jet-Main (Standard)	141	790902	Kit-Choke Shaft (Walbro)
74	697897	Screw (Rotating Screen) (Used Before Code Date 07040900).	118	791405	Jet-Main (High Altitude)	141A	698778	Kit-Choke Shaft (Nikki)
78	691003	Screw (Flywheel Guard)	121	790031	Kit-Carburetor Overhaul (Walbro)	142	●790025	Nozzle-Carburetor (Standard)(Walbro)
78A	690364	Screw (Flywheel Guard) Used on Type No(s). 0015, 0016, 0020, 0117, 0119, 0124, 0127, 0134.	121A	698787	Kit-Carburetor Overhaul (Nikki)	143	790028	Nozzle-Carburetor (High Altitude)(Walbro)
81	691178	Lock-Muffler Screw	125A	794653	Carburetor (Nikki)(Gravity Feed) Used on Type No(s). 0015, 0016, 0019, 0025, 0118, 0119, 0133, 0140, 0141. ----- Note ----- 791266 Carburetor (Nikki)(Pump Feed) Used on Type No(s). 0020, 0028, 0112, 0116, 0117, 0122, 0123, 0124, 0125, 0127, 0128, 0134, 0135.	146	691639	Key-Timing
93	●690602	Bushing-Throttle Shaft	127	●694524	Plug-Welch (Walbro)	186	794873	Connector-Hose
94	498030	Kit-Idle Mixture (Walbro)	127A	●690727	Plug-Welch (Nikki)	187	791805	Line-Fuel (Formed)(10-1/4 Inches Long)(Cut to Required Length)
94A	695425	Kit-Idle Mixture (Nikki)				187A	791806	Line-Fuel (Formed)(21 Inches Long)(Cut To Required Length)
95	●691636	Screw (Throttle Valve) (Walbro)				187B	791766	Line-Fuel (15 Inches Long)(Cut To Required Length)
95A	●690718	Screw (Throttle Valve)(Nikki)				187C	791745	Line-Fuel (23 Inches Long)(Cut To Required Length)
						188	691693	Screw (Control Bracket)
						192	691986	Adjuster-Rocker Arm
						202	691841	Link-Mechanical Governor

★ Included in Engine Gasket Set-Ref. No. 358.

● Included in Carburetor Overhaul Kit-Ref. No. 121 or 121A.

♦ Included in Carburetor Gasket Set-Ref. No. 977 or 977A.

△ Included in Valve Gasket Set-Ref. No. 1095.

Illustrations cover a range of engines. Parts shown without corresponding text may not be used on your specific engine.

5708-11

Assemblies include all parts shown in frames.

03/03/2008

217900

REF. NO.	PART NO.	DESCRIPTION	REF. NO.	PART NO.	DESCRIPTION	REF. NO.	PART NO.	DESCRIPTION
203	691381	Crank-Bell Used on Type No(s). 0028, 0116, 0117.	261	697176	Screw (Control Slide) Used on Type No(s). 0134.	334	691061	Screw (Magneto Armature)
205	691693	Screw (Bell Crank) Used on Type No(s). 0028, 0116, 0117.	265	691024	Clamp-Casing	337	491055S	Plug-Spark ----- Note ----- 691043 Plug-Spark Used on Type No(s). 0112, 0116, 0117, 0118, 0119.
209	792813	Spring-Governor Used on Type No(s). 0015, 0016, 0019, 0020, 0025, 0028, 0112, 0117, 0118, 0122, 0123, 0124, 0125, 0127, 0128, 0133, 0134, 0135, 0140, 0141. ----- Note ----- 792602 Spring-Governor Used on Type No(s). 0116. 691795 Spring-Governor Used on Type No(s). 0119.	267	794904	Screw (Casing Clamp)	356	697397	Wire-Stop Used on Type No(s). 0015, 0016, 0019, 0020, 0025, 0028, 0112, 0118, 0119.
216	691840	Link-Choke	268	691025	Casing-Control Wire (Cut To Required Length)	356A	398808	Wire-Stop Used on Type No(s). 0116, 0117, 0123, 0124, 0125, 0127, 0128, 0133, 0134, 0135, 0140, 0141.
216A	691281	Link-Choke Used on Type No(s). 0028, 0116, 0117.	269	691026	Wire-Control (Cut To Required Length)	356B	697089	Wire-Stop Used on Type No(s). 0122, 0125, 0140, 0141.
222	694042	Bracket-Control	270	691027	Nut (Control Wire Casing)	356C	399222	Wire-Stop Used on Type No(s). 0134.
227	691374	Lever-Governor Control	271	691028	Lever-Control	357	691483	Key-Drive Pulley Used on Type No(s). 0119.
231	691636	Screw (Choke Valve)	276	◆692255	Washer-Sealing	358	697151	Gasket Set-Engine
232	691842	Spring-Governor Link	300A	697349	Muffler Used on Type No(s). 0116, 0117, 0119, 0122.	359	691077	Washer (Ground Terminal) Used on Type No(s). 0116, 0117, 0123, 0124, 0125, 0127, 0128, 0133, 0134, 0135, 0140, 0141.
238	691843	Cap-Valve	300G	697048	Muffler Used on Type No(s). 0015, 0016, 0019, 0020, 0025, 0028, 0112, 0118, 0123, 0124, 0125, 0127, 0128, 0133, 0134, 0135, 0140, 0141.	363	19203	Puller-Flywheel
239	491657S	Switch-Oil Pressure Used on Type No(s). 0122.	304	698473	Housing-Blower (Black) ----- Note ----- 699085 Housing-Blower (Red)	373	691612	Nut (Ground Terminal) Used on Type No(s). 0116, 0117, 0123, 0124, 0125, 0127, 0128, 0133, 0134, 0135, 0140, 0141.
240	394358s	Filter-Fuel (White, 75 Microns) Used on Type No(s). 0015, 0016, 0019, 0025, 0118, 0119, 0133, 0140, 0141.	305	697102	Screw (Blower Housing)	383	89838S	Wrench-Spark Plug
240A	691035	Filter-Fuel (Includes Paper Element With A 40 Micron Rating) Used on Type No(s). 0020, 0028, 0112, 0116, 0117, 0122, 0123, 0124, 0125, 0127, 0128, 0134, 0135.	305A	697103	Screw (Blower Housing)			
			306	697359	Shield-Cylinder			
			307	691003	Screw (Cylinder Shield)			
			309	693551	Motor-Starter Used on Type No(s). 0019, 0025, 0028, 0112, 0116, 0118, 0122, 0123, 0125, 0128, 0133, 0135, 0140, 0141.			
			310	690323	Screw (Starter Motor)			
			311	497608	Brush Set			
			333	795315	Armature-Magneto			

★ Included in Engine Gasket Set-Ref. No. 358.

● Included in Carburetor Overhaul Kit-Ref. No. 121 or 121A.

◆ Included in Carburetor Gasket Set-Ref. No. 977 or 977A.

△ Included in Valve Gasket Set-Ref. No. 1095.

Illustrations cover a range of engines. Parts shown without corresponding text may not be used on your specific engine.

REF. NO.	PART NO.	DESCRIPTION	REF. NO.	PART NO.	DESCRIPTION	REF. NO.	PART NO.	DESCRIPTION
385	694476	Screw (Fuel Pump) Used on Type No(s). 0112, 0122, 0123, 0124, 0125, 0127, 0128, 0134, 0135.	456	695128	Plate-Pawl Friction	525	697085	Tube-Dipstick Used on Type No(s). 0020, 0028, 0112, 0116, 0117, 0122, 0123, 0124, 0125, 0127, 0128, 0134, 0135.
385A	690297	Screw (Fuel Pump) Used on Type No(s). 0020, 0028, 0112, 0116, 0117, 0119, 0122, 0123, 0124, 0125, 0127, 0128, 0134, 0135.	459	281505S	Pawl-Ratchet			
387	697090	Pump-Fuel (Includes Mounting Bracket) Used on Type No(s). 0112, 0122, 0123, 0124, 0125, 0127, 0128, 0134, 0135.	474B	696459	Alternator (Dual Circuit) Used on Type No(s). 0019, 0025, 0028, 0112, 0116, 0118, 0123, 0128, 0133, 0135.			
387A	808656	Pump-Fuel Used on Type No(s). 0020, 0028, 0112, 0116, 0117, 0122, 0123, 0124, 0125, 0127, 0128, 0134, 0135.	474C	696457	Alternator (5 To 9 Amp Regulated) Used on Type No(s). 0125, 0140, 0141.			
404	691691	Washer (Governor Crank)	474D	696458	Alternator (10 To 16 Amp Regulated) Used on Type No(s). 0122.	526A	697088	Screw (Regulator) Used on Type No(s). 0125, 0140, 0141.
415	690283	Plug (Sump) Used on Type No(s). 0112, 0118.	501A	691188	Regulator Used on Type No(s). 0125, 0140, 0141.	526B	697348	Screw (Regulator)
415A	794129	Plug (Cover/Retainer) (Used After Code Date 07040800).	501D	691185	Regulator Used on Type No(s). 0122.	527	792167	Clamp-Tube Used on Type No(s). 0020, 0028, 0116, 0117, 0123, 0124, 0125, 0127, 0128, 0134, 0135.
431	697122	Elbow-Intake	505	691251	Nut (Governor Control Lever)	544	692034	Armature-Starter
445	698413	Filter-Air Cleaner Cartridge (Non Washable)	507	691972	Insulator Used on Type No(s). 0116, 0117, 0123, 0124, 0125, 0127, 0128, 0133, 0134, 0135, 0140, 0141.	552	697144	Bushing-Governor Crank
455	695113	Cup-Flywheel Used on Type No(s). 0015, 0016, 0019, 0020, 0116, 0117, 0119, 0123, 0124, 0125, 0127, 0134, 0135.	510	693699	Drive-Starter	562	691119	Bolt (Governor Control Lever)
			513	692024	Clutch-Drive	578	692306	Wire Assembly Used on Type No(s). 0122, 0125.
			520	691084	Terminal-Ground Used on Type No(s). 0116, 0117, 0123, 0124, 0125, 0127, 0128, 0133, 0134, 0135, 0140, 0141.	579	691029	Nut (Starter Cable)
			521	690581	Shield-Cable Used on Type No(s). 0112, 0118.	584	794682	Cover-Breather Passage (Used After Code Date 07071800). (Use With Liquid Sealant Reference 850)
			523	699908	Dipstick			
			524	★691032	Seal-Dipstick Tube			

★ Included in Engine Gasket Set-Ref. No. 358.

● Included in Carburetor Overhaul Kit-Ref. No. 121 or 121A.

◆ Included in Carburetor Gasket Set-Ref. No. 977 or 977A.

△ Included in Valve Gasket Set-Ref. No. 1095.

Illustrations cover a range of engines. Parts shown without corresponding text may not be used on your specific engine.

217900

REF. NO.	PART NO.	DESCRIPTION	REF. NO.	PART NO.	DESCRIPTION	REF. NO.	PART NO.	DESCRIPTION
597	691696	Screw (Pawl Friction Plate)	677	690661	Screw (Muffler Deflector)	847	790443	Dipstick/Tube Assembly
601	791850	Clamp-Hose (Zinc Plate)(Spring Wire)	687	697175	Slide-Control Used on Type No(s). 0134.			Used on Type No(s). 0020, 0028, 0112, 0116, 0117, 0122, 0123, 0124, 0125, 0127, 0128, 0134, 0135.
601A	691038	Clamp-Hose (Black)(Spring Steel)	688	690395	Cap-Friction Used on Type No(s). 0134.			----- Note -----
608	695058	Starter-Rewind Used on Type No(s). 0015, 0016, 0019, 0020, 0116, 0119, 0123, 0124, 0125, 0127, 0134, 0135.	689	691855	Spring-Friction			790442 Dipstick/Tube Assembly
		----- Note -----	689A	690529	Spring-Friction Used on Type No(s). 0134.			Used on Type No(s). 0015, 0016, 0019, 0025, 0118, 0119, 0133, 0140, 0141.
		790416 Starter- Rewind Used on Type No(s). 0117.	691	★692407	Seal-Governor Shaft			
613	691416	Screw (Muffler)	692	691301	Spring-Detent Used on Type No(s). 0112, 0116, 0117.	850	100100	Sealant-Liquid (Rocker Cover Gasket and Breather Gasket) (Used After Code Date 07071800).
613A	691678	Screw (Muffler)	697	690372	Screw (Drive Cap)			
613B	690297	Screw (Muffler)	705	790561	Nut (Fuel Tank)			
614	691620	Pin-Cotter	718	690959	Pin-Locating	851	692424	Terminal-Spark Plug
616	692012	Crank-Governor	729	691335	Clip-Wire (Wire Retainer)	864	697346	Adapter-Muffler Used on Type No(s). 0015, 0016, 0019, 0020, 0025, 0028, 0112, 0116, 0117, 0118, 0119, 0122, 0123, 0124, 0125, 0127, 0128, 0133, 0134, 0135, 0140, 0141.
617	★692138	Seal-O Ring (Intake Manifold)	729A	691224	Clip-Wire (Starter Motor)			
621	692310	Switch-Stop Used on Type No(s). 0116, 0117, 0123, 0124, 0125, 0127, 0128, 0133, 0134, 0135, 0140, 0141.	741	697128	Gear-Timing			
			750	790832	Screw (Oil Pump Cover)			
634	●690802	Spring/Seal Assembly (Walbro)	757	697607	Link-Counterweight			
634A	●698779	Spring/Seal Assembly (Nikki)	758	697391	Counterweight			
635	691909	Boot-Spark Plug	759	697392	Pin-Counterweight			
643	697155	Retainer-Air Filter	783	693713	Gear-Pinion			
654	690958	Nut (Carburetor)	788	699347	Bracket-Fuel Pump Used on Type No(s). 0020, 0028, 0116, 0117.	868	★Δ690968	Seal-Valve
676	393761	Deflector-Muffler (Side Out) Used on Type No(s). 0015, 0016, 0019, 0020, 0025, 0028, 0116, 0117, 0118, 0122, 0123, 0124, 0125, 0127, 0128, 0133, 0134, 0135, 0140, 0141.	797	693167	Nut (Brush Retainer)	877	393456	Wire/Connector- Alternator (Dual Circuit)
			801	691283	Cap-Drive	877B	393537	Wire/Connector- Alternator (5 To 9 Amp Regulated)
			802	691286	Cap-End			
			803		Housing-Starter (Not Serviced Separately, Order Starter Motor 693551)	877C	399916	Wire/Connector- Alternator (10 To 16 Amp Regulated)
			823	698941	Screw (Muffler Adapter)	878	398661	Harness-Alternator (Dual Circuit)
			830	691095	Stud-Rocker Arm	883	★692236	Gasket-Exhaust
			842	★691031	Seal-O Ring (Dipstick Tube)	914	691108	Screw (Rocker Cover)
			843	697158	Sleeve-Lever Used on Type No(s). 0134.	918	791851	Hose-Vacuum
						943	★690589	Seal-O Ring (Oil Pump Cover)

★ Included in Engine Gasket Set-Ref. No. 358.

● Included in Carburetor Overhaul Kit-Ref. No. 121 or 121A.

◆ Included in Carburetor Gasket Set-Ref. No. 977 or 977A.

Δ Included in Valve Gasket Set-Ref. No. 1095.

Illustrations cover a range of engines. Parts shown without corresponding text may not be used on your specific engine.

5708-14

Assemblies include all parts shown in frames.

03/03/2008

REF. NO.	PART NO.	DESCRIPTION	REF. NO.	PART NO.	DESCRIPTION	REF. NO.	PART NO.	DESCRIPTION
950	691657	Screw-Float Bowl (Bottom Of Bowl)	1017	690770	Screen-Oil Pump	1058	276344	Manual-Operator's ----- Note -----
957	792647	Cap-Fuel Tank (Plastic)	1022★△272475S		Gasket-Rocker Cover (Used Before Code Date 07091000).			MS3787 Manual- Operator's
958	698183	Valve-Fuel Shut Off (Plastic) Used on Type No(s). 0112, 0118, 0119, 0123, 0124, 0125, 0127, 0128, 0134, 0135.	1023	791079	Cover-Rocker			Used on Type No(s). 0121, 0133, 0140.
965	499613	Cover-Oil Pump	1024	499054	Pump-Oil (Used Before Code Date 07051700).			MS3788 Manual- Operator's
967	697292	Filter-Pre Cleaner	1024A	794644	Pump-Oil (Used After Code Date 07051600).	1059	698516	Kit-Screw/Washer
968	697420	Cover-Air Cleaner (Black) ----- Note ----- 697422 Cover-Air Cleaner (Red)	1026	697395	Rod-Push (Exhaust) ----- Note ----- 697394 Rod-Push (Intake)	1070	690372	Screw (Flywheel Fan) (Used Before Code Date 07040900).
972	792168	Tank-Fuel (Plastic) Used on Type No(s). 0020, 0028, 0116, 0117, 0123, 0124, 0125, 0127, 0128, 0134, 0135.	1027	492932S	Filter-Oil	1070A	690363	Screw (Flywheel Fan) (Used After Code Date 07040800).
975	495933	Bowl-Float (Walbro)	1029	691751	Arm-Rocker	1090	691293	Retainer-Brush
975A	698783	Bowl-Float (Nikki)	1034	690822	Guide-Push Rod (Available From A Briggs & Stratton Authorized Dealer)	1091	691333	Cap-Limiter
977	690192	Gasket Set-Carburetor (Walbro)	1036			1095	691581	Gasket Set-Valve
977A	790032	Gasket Set-Carburetor (Nikki)	1040	698368	Plate-Trim Used on Type No(s). 0112, 0118.	1119	691183	Screw (Alternator)
987	●691326	Seal-Throttle Shaft (Walbro)	1040A	697381	Plate-Trim Used on Type No(s). 0025, 0028, 0122, 0128, 0133, 0140, 0141.	1127	695407	Screw (Float Bowl)(Nikki)
987A	●698777	Seal-Throttle Shaft (Nikki)	1044	698139	Screw (Flywheel)	1136	690278	Screw (Control Bracket)
1005	794439	Fan-Flywheel (Used After Code Date 07040800).	1051	691265	Ring-Retaining	1263	697124	Reed-Breather
1005A	794440	Fan-Flywheel (Used Before Code Date 07040900).	1054	280275	Tie-Cable	1264	697104	Screw (Breather Reed)
1005B		Fan-Flywheel (No Longer Available) (See Reference 1005A For Service Flywheel Fan).				1266	★●691917	Seal-O Ring (Intake Elbow)
						1266A	★●697123	Seal-O Ring (Intake Elbow)
						1267	697419	Latch-Blower Housing (Black) ----- Note ----- 697424 Latch-Blower Housing (Red)
						1270	697156	Plug-AVS
						1319	794467	Counterweight Label-Warning

★ Included in Engine Gasket Set-Ref. No. 358.

● Included in Carburetor Overhaul Kit-Ref. No. 121 or 121A.

◆ Included in Carburetor Gasket Set-Ref. No. 977 or 977A.

△ Included in Valve Gasket Set-Ref. No. 1095.

Illustrations cover a range of engines. Parts shown without corresponding text may not be used on your specific engine.

Free Manuals Download Website

<http://myh66.com>

<http://usermanuals.us>

<http://www.somanuals.com>

<http://www.4manuals.cc>

<http://www.manual-lib.com>

<http://www.404manual.com>

<http://www.luxmanual.com>

<http://aubethermostatmanual.com>

Golf course search by state

<http://golfingnear.com>

Email search by domain

<http://emailbydomain.com>

Auto manuals search

<http://auto.somanuals.com>

TV manuals search

<http://tv.somanuals.com>