

28W700

Illustrated Parts List Model Series 28W700

TYPE NUMBERS
0121, 0122.

TABLE OF CONTENTS

Air Cleaner	5
Alternator	7
Blower Housing/Shrouds	6
Cams	2
Carburetor	4
Controls	5
Crankcase Cover/Sump	2
Crankshaft	2
Cylinder	2
Electric Starter	7
Flywheel	6
Fuel Tank	6
Governor Spring	5
Head	3
Ignition	7
Kits/Gaskets-Carburetor	4
Kits/Gaskets-Valve	2
Muffler	5
Oil	3
Piston Group	2
Rewind	7
Valves	3

PRINTED IN U.S.A.

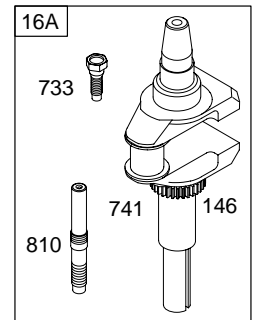
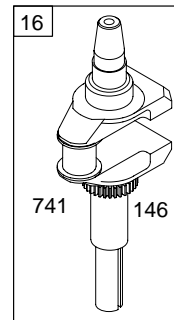
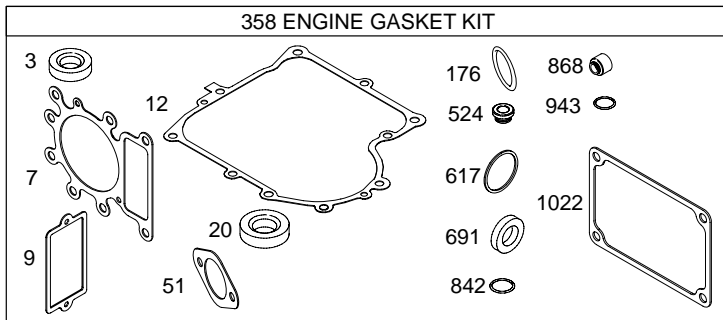
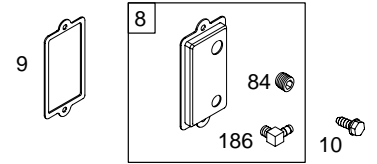
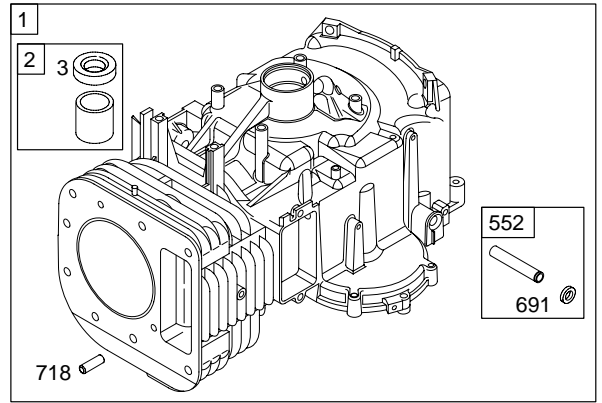
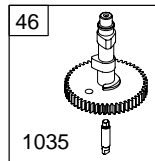
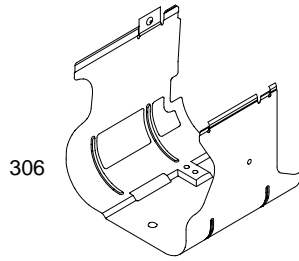
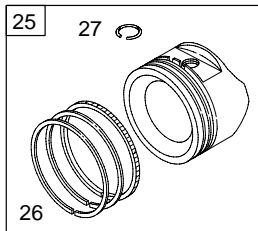
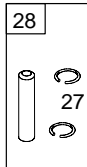
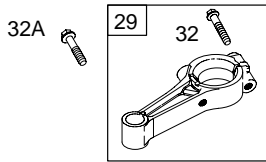


COPYRIGHT by BRIGGS & STRATTON CORPORATION
All rights reserved. No part of this material may be reproduced or transmitted, in any form or by any means, electronic or mechanical, including photocopying, recording or by any information storage and retrieval system, without permission in writing from Briggs & Stratton Corporation.

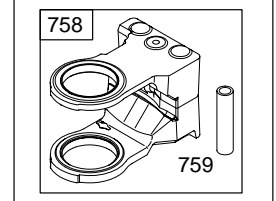
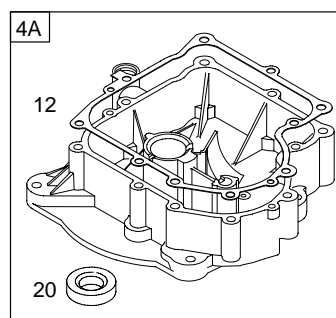
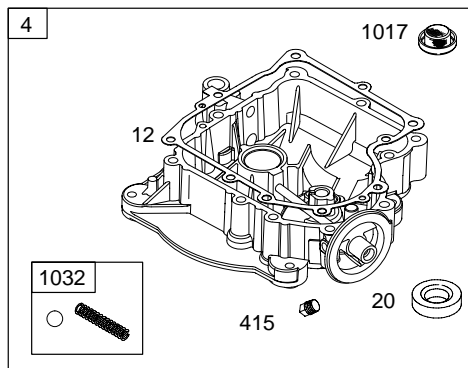
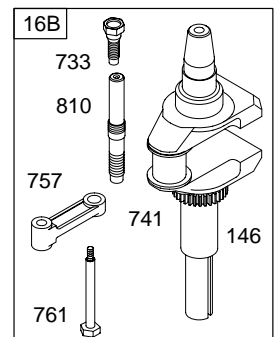
28W700

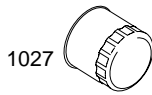
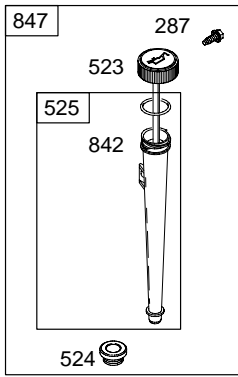
1058 OPERATOR'S MANUAL

1330 REPAIR MANUAL

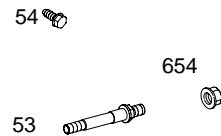
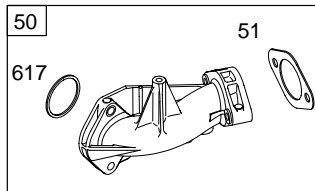
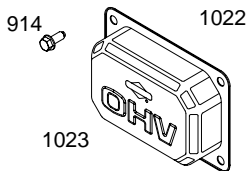
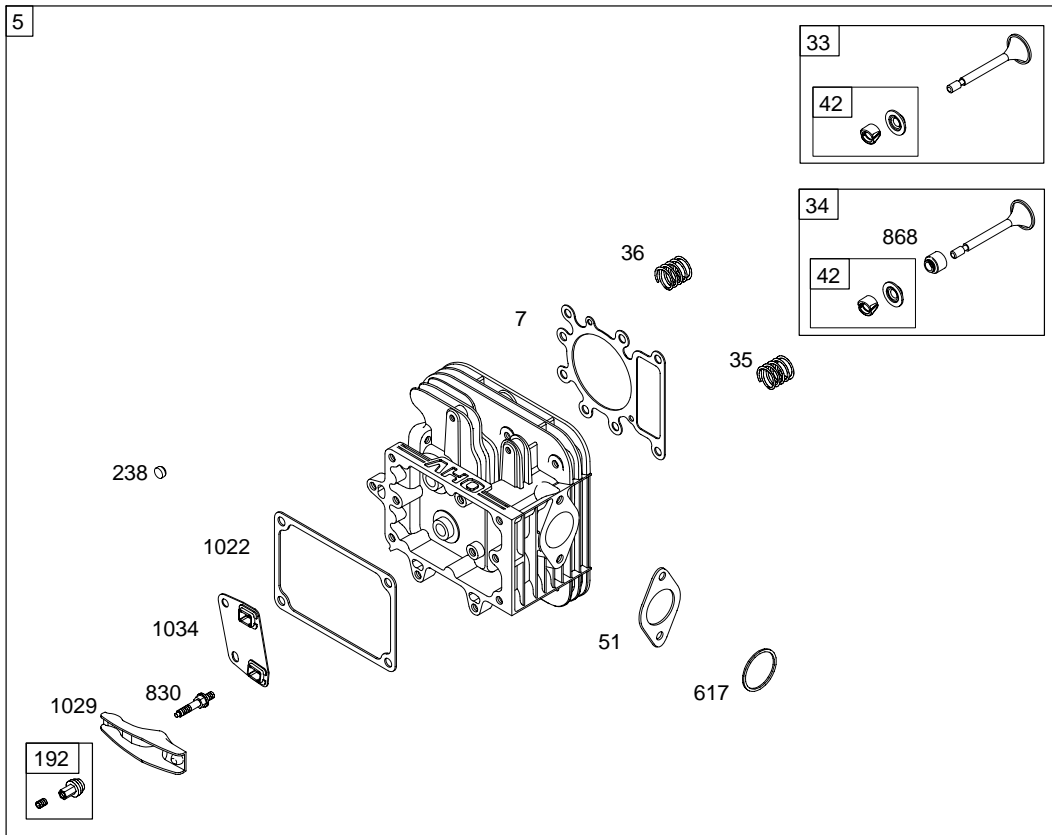
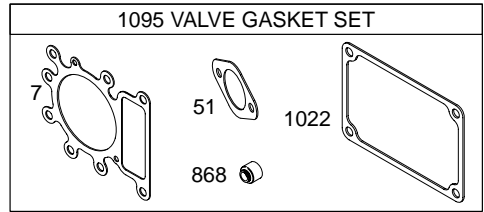


24



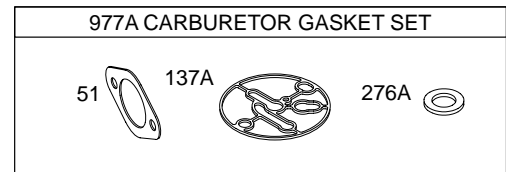
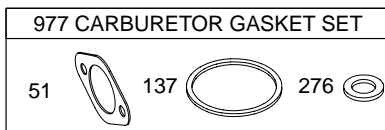
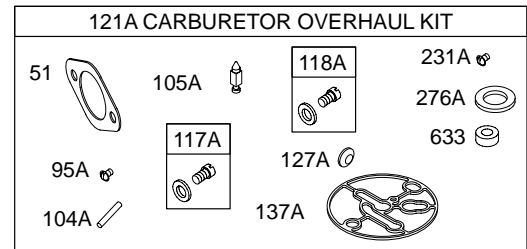
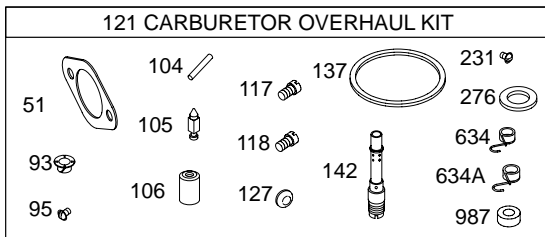
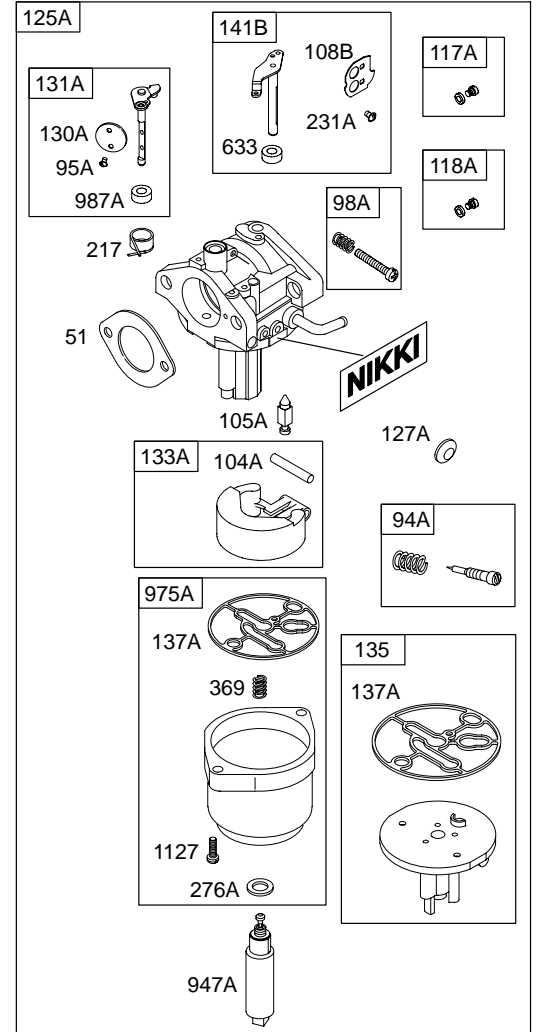
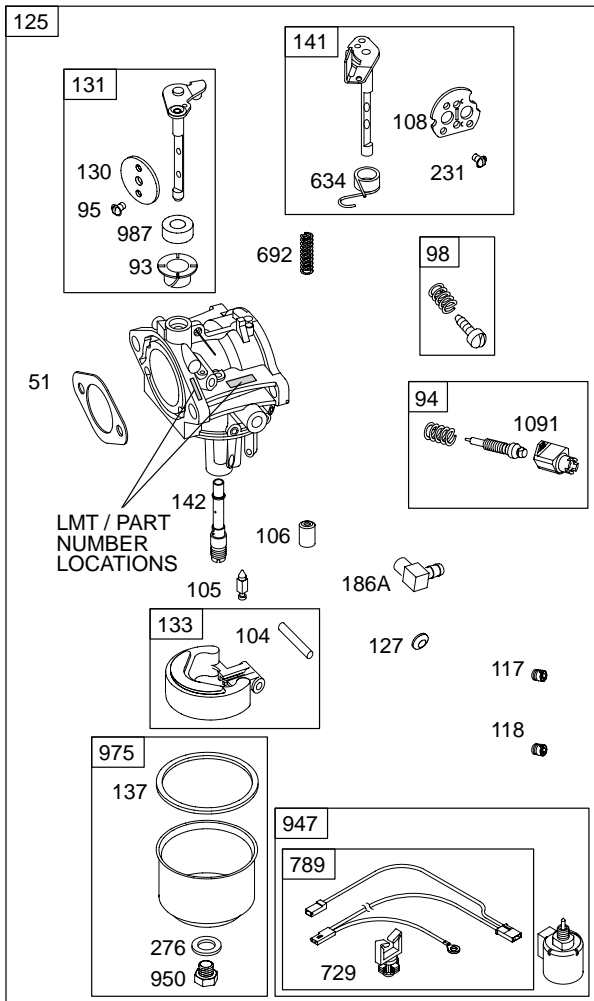


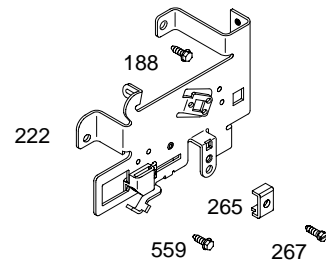
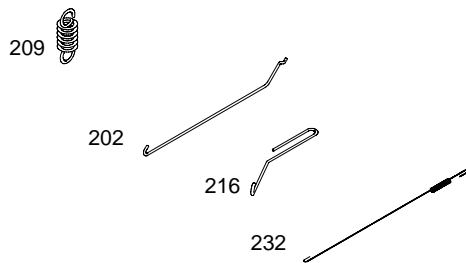
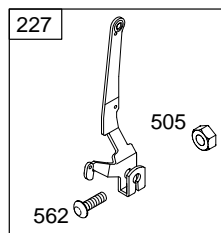
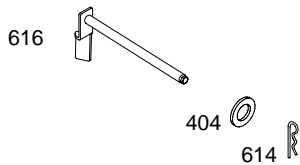
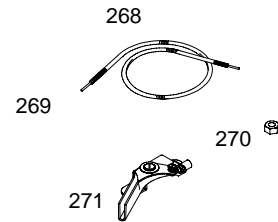
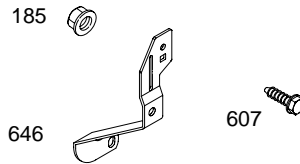
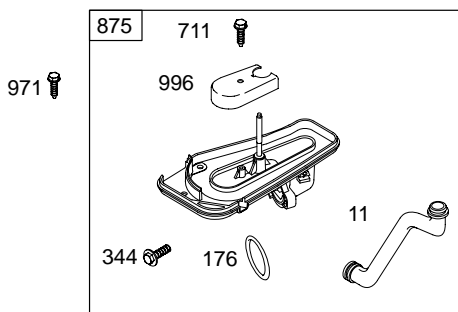
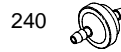
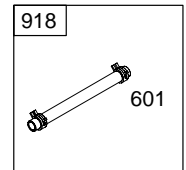
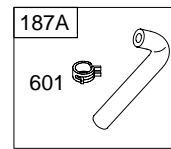
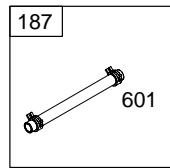
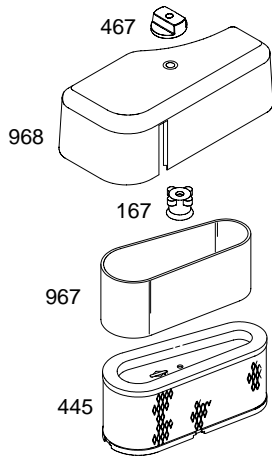
750



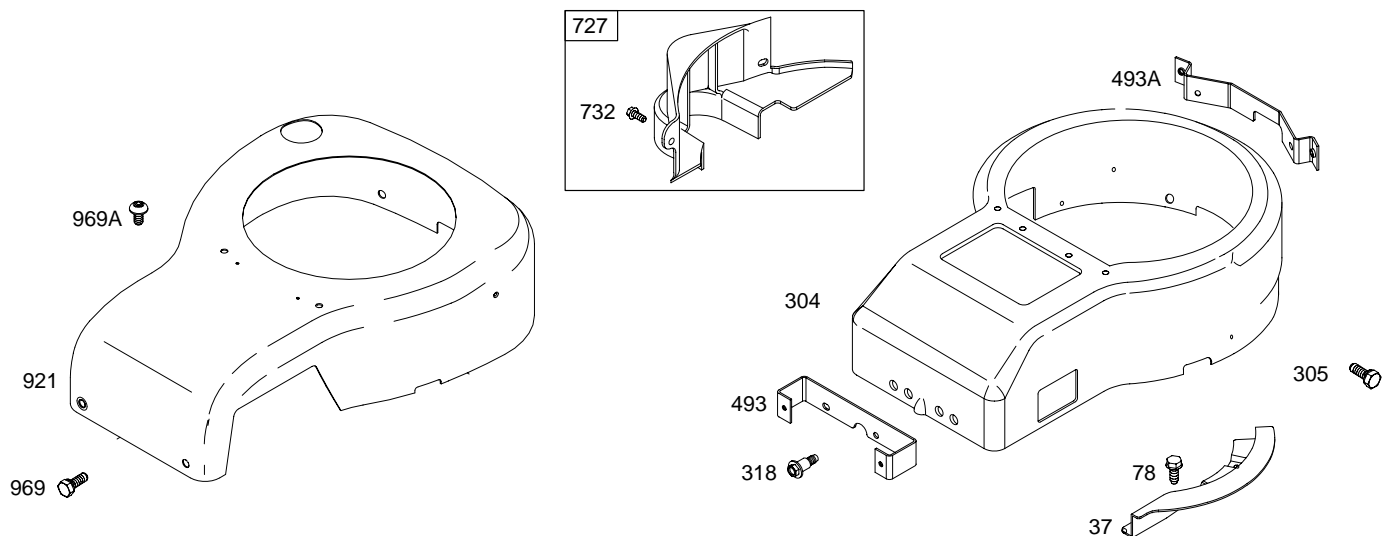
WALBRO

NIKKI



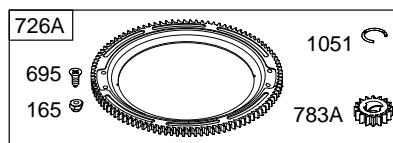
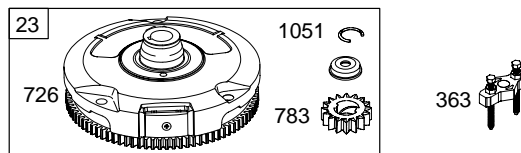
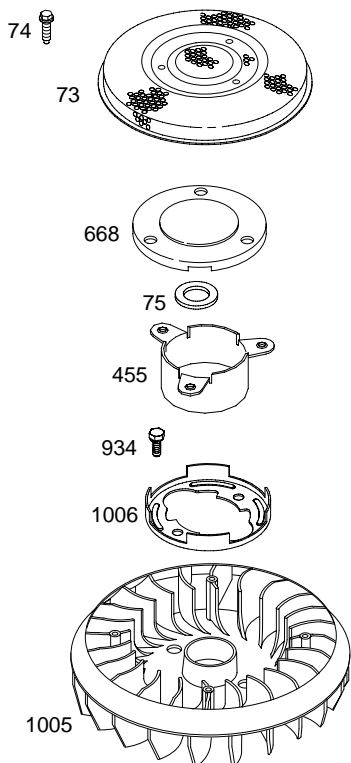


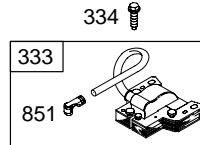
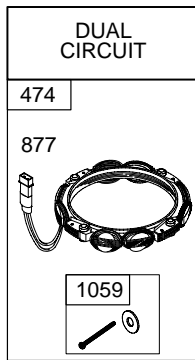
28W700



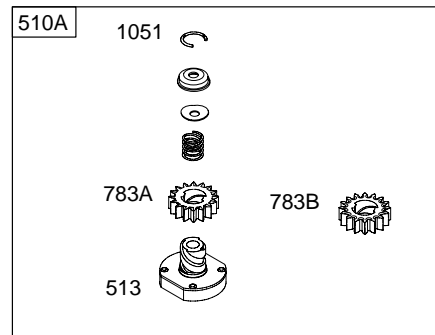
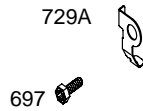
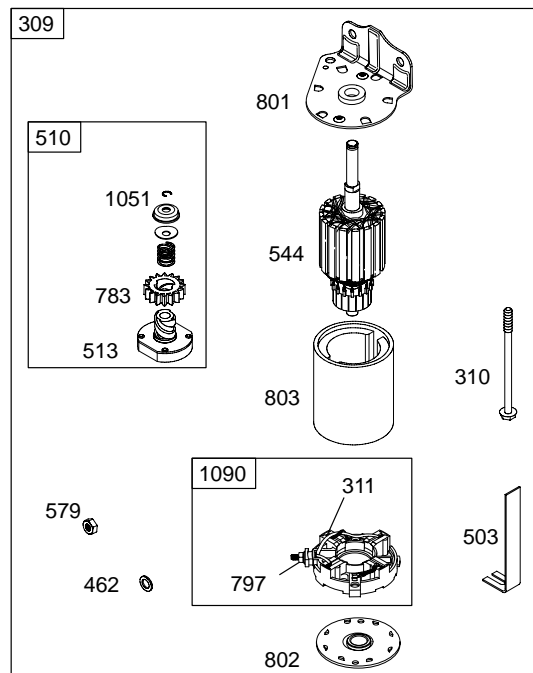
1019 LABEL KIT

1036 EMISSION LABEL





NOTE: ALL OLD STYLE STATORS USE
1119 REFERENCE NUMBER MOUNTING SCREW



28W700

REF. NO.	PART NO.	DESCRIPTION	REF. NO.	PART NO.	DESCRIPTION	REF. NO.	PART NO.	DESCRIPTION
1	496412	Cylinder Assembly	25	696397	Piston Assembly (Standard) (Used After Code Date 01041800).	26	696403	Ring Set (Standard) (Used After Code Date 01041800).
2	399265	Kit-Bushing/Seal (Magneto Side)						
3	★391086	Seal-Oil						
4	693582	Sump-Engine Used on Type No(s). 0122.			696398 Piston Assembly (.010" Oversize) (Used After Code Date 01041800).			696404 Ring Set (.010" Oversize) (Used After Code Date 01041800).
4A	494238	Sump-Engine Used on Type No(s). 0121.			696399 Piston Assembly (.020" Oversize) (Used After Code Date 01041800).			696405 Ring Set (.020" Oversize) (Used After Code Date 01041800).
5	698148	Head-Cylinder						
7	∅★273280	Gasket-Cylinder Head						
8	696126	Breather Assembly						696406 Ring Set (.030" Oversize) (Used After Code Date 01041800).
9	★27803	Gasket-Breather						
10	691666	Screw (Breather Assembly)			696400 Piston Assembly (.030" Oversize) (Used After Code Date 01041800).			
11	691328	Tube-Breather						Note
12	★692226	Gasket-Crankcase (.015" Standard)						495854 Ring Set (Standard) (Used Before Code Date 01041900).
		Note			Note			495852 Ring Set (.010" Oversize) (Used Before Code Date 01041900).
		★692406 Gasket-Crankcase (.005")			499284 Piston Assembly (Standard) (Used Before Code Date 01041900).			495851 Ring Set (.020" Oversize) (Used Before Code Date 01041900).
		★692405 Gasket-Crankcase (.009")			499288 Piston Assembly (.010" Oversize) (Used Before Code Date 01041900).			495855 Ring Set (.030" Oversize) (Used Before Code Date 01041900).
13	690360	Screw (Cylinder Head)						
15	690946	Plug-Oil Drain						
16	690136	Crankshaft (Used After Code Date 98063000).			499292 Piston Assembly (.020" Oversize) (Used Before Code Date 01041900).			
16A	693944	Crankshaft						
16B	693653	Crankshaft						
20	★291675	Seal-Oil (PTO Side)						27 691299 Lock-Piston Pin
22	692125	Screw (Crankcase Cover/Sump)						28 498319 Pin-Piston (Standard)
23	693557	Flywheel (Steel Ring Gear)			499296 Piston Assembly (.030" Oversize) (Used Before Code Date 01041900).			Note
24	222698	Key-Flywheel						498320 Pin-Piston (.005" Oversize)

★ Engine Gasket Set – Reference Number 358
● Carburetor Overhaul Kit – Reference 121 & 121A

◆ Carburetor Gasket Set– Reference 977 & 977A
∅ Valve Gasket Set – Reference Number 1095

5966-8

Assemblies include all parts shown in frames.

12/1/2003

REF. NO.	PART NO.	DESCRIPTION	REF. NO.	PART NO.	DESCRIPTION	REF. NO.	PART NO.	DESCRIPTION
29	692419	Rod-Connecting (Standard) (Used After Code Date 98063000). Note 494504 Rod-Connecting (Standard) (Used Before Code Date 98070100). 692420 Rod-Connecting (.020" Undersize) (Used After Code Date 98063000). 495490 Rod-Connecting (.020" Undersize) (Used Before Code Date 98070100).	50	690193	Manifold-Intake	125	698620	Carburetor (LMT 154, 155)
			51	692137	Gasket-Intake	125A		Carburetor (Nikki Carburetor, Service with Walbro Carburetor)
			53	690227	Stud (Carburetor)	127	695005	Plug-Welch
			54	691148	Screw (Intake Manifold)	127A	690727	Plug-Welch
			73	690492	Screen-Rotating	130	691750	Valve-Throttle
			74	691655	Screw (Rotating Screen)	130A	695418	Valve-Throttle
			75	690582	Washer (Flywheel)	131	494379	Kit-Throttle Shaft
			78	697561	Screw (Flywheel Guard)	131A	695421	Kit-Throttle Shaft
			84	690343	Plug-Breather	133	494381	Float-Carburetor
			93	690602	Bushing-Throttle Shaft	133A	694914	Float-Carburetor
			94	498030	Kit-Idle Mixture	135	696142	Tube-Fuel Transfer
			94A	695425	Kit-Idle Mixture	137	281165	Gasket-Float Bowl
			95	691636	Screw (Throttle Valve)	137A	695426	Gasket-Float Bowl
			95A	690718	Screw (Throttle Valve)	141	495097	Kit-Choke Shaft (LMT 155)
			98	495800	Kit-Idle Speed	141A	495931	Kit-Choke Shaft (LMT 154)
			98A	695408	Kit-Idle Speed	141B	695420	Kit-Choke Shaft
			104	690525	Pin-Float Hinge	142	692412	Nozzle-Carburetor
32	692852	Screw (Connecting Rod) (Used After Code Date 98063000).	104A	694918	Pin-Float Hinge	146	691639	Key-Timing
			105	231855	Valve-Float Needle	165	693148	Nut (Ring Gear)
32A	690356	Screw (Connecting Rod) (1 7/8" Long) (Used Before Code Date 98070100). Note 690348 Screw (Connecting Rod) (1 5/8" Long) (Used Before Code Date 98070100).	105A	694922	Valve-Float Needle	167	692297	Seal-Air Cleaner Nut
			106	690577	Seat-Inlet	176	691917	Seal-O Ring (Air Cleaner Base)
			108	690464	Valve-Choke (LMT 155)	185	690958	Nut (Air Cleaner Brace)
			108A	692344	Valve-Choke (LMT 154)	186	691609	Connector-Hose (Breather Assembly)
			108B	695419	Valve-Choke	186A	692317	Connector-Hose (Carburetor)
			117	692408	Jet-Main (Standard)	187	691050	Line-Fuel (Cut to Required Length)
			117A	695415	Jet-Main (Standard)	187A	697098	Line-Fuel (Formed) (3.5" Long) Note 697907 Line-Fuel (Formed) (9.6" Long)
			118	692411	Jet-Main (High Altitude)	188	691693	Screw (Control Bracket)
			118A	695416	Jet-Main (High Altitude)	192	691986	Adjuster-Rocker Arm
			121	690191	Kit-Carburetor Overhaul			
			121A	695427	Kit-Carburetor Overhaul			
33	695760	Valve-Exhaust						
34	695761	Valve-Intake						
35	691279	Valve Spring (Intake)						
36	691279	Spring-Valve (Exhaust)						
37	690456	Guard-Flywheel						
42	499586	Keeper-Valve						
43	691968	Slinger-Governor/Oil						
45	690564	Tappet-Valve						
46	698492	Camshaft (Used on Type No(s) 0121, 0122).						

★ Engine Gasket Set – Reference Number 358
● Carburetor Overhaul Kit – Reference 121 & 121A

◆ Carburetor Gasket Set– Reference 977 & 977A
∅ Valve Gasket Set – Reference Number 1095

28W700

REF. NO.	PART NO.	DESCRIPTION	REF. NO.	PART NO.	DESCRIPTION	REF. NO.	PART NO.	DESCRIPTION
202	691841	Link—Mechanical Governor	333	492341	Armature—Magneto	544	692034	Armature—Starter
209	692208	Spring—Governor	334	691061	Screw (Magneto Armature)	552	491986	Bushing—Governor Crank
216	691840	Link—Choke	337	491055	Plug—Spark	559	690661	Screw (Remote Choke Stop)
217	695409	Spring—Choke Return	344	693675	Screw (Cable Clamp) (Air Cleaner Base)	562	691119	Screw (Governor Control Lever)
222	694042	Bracket—Control	356	690807	Wire—Stop	579	691029	Nut (Starter Cable)
227	691374	Lever—Governor Control	358	691580	Gasket Set—Engine	601	95162	Clamp—Hose
231	●691636	Screw (Choke Valve)	363	19203	Puller—Flywheel	607	691693	Screw (Air Cleaner Brace)
231A	●690718	Screw (Choke Valve)	369	695422	Spring—Float Bowl	614	691620	Pin—Cotter
232	691842	Link Spring—Governor	383	89838	Wrench—Spark Plug	616	692012	Crank—Governor
238	691843	Cap—Valve	404	691691	Washer (Governor Crank)	617	∅★692138	Seal—O-Ring (Intake Manifold)
240	298090	Filter—Fuel	415	690283	Plug (Pressure Relief Valve)	633	695414	Seal—Choke/Throttle Shaft
245	221535	Clamp—Casing	445	496894	Filter—Air Cleaner Cartridge	634	●690801	Spring/Seal Assembly (LMT 155)
265	690804	Screw (Casing Clamp)	455	691173	Cup—Flywheel	634A	●690802	Spring/Seal Assembly (LMT 154)
267	690804	Screw (Casing Clamp)	462	691261	Washer (Starter Cable)	635	691909	Boot—Spark Plug
268	691025	Casing—Control Wire (Cut to Required Length)	467	691668	Knob—Air Cleaner	646	690460	Brace—Air Cleaner
269	691026	Wire—Control (Cut to Required Length)	474	696459	Alternator (Dual Circuit)	654	690958	Nut (Carburetor)
270	691027	Nut (Control Wire Casing)	493	690493	Bracket—Mounting (Front)	668	691323	Spacer (Flywheel Cup)
271	691028	Lever—Control	493A	690494	Bracket—Mounting (Rear)	691	★692407	Seal—Governor Shaft
276	●◆692255	Washer—Sealing	503	691532	Strap—Starter	692	690572	Spring—Detent (LMT 155)
276A	●◆695410	Washer—Sealing	505	691251	Nut (Governor Control Lever)	695	693109	Screw (Ring Gear)
287	691002	Screw (Dipstick Tube)	510	693699	Drive—Starter (Used With Steel Ring Gear)	697	690372	Screw (Drive Cap)
304	690497	Housing—Blower	510A	497606	Drive—Starter (Used With Aluminum and Plastic Ring Gears)	711	690703	Screw (Carburetor Shield)
305	69108	Screw (Blower Housing)	513	692024	Clutch—Drive	718	690959	Pin—Locating Gear—Ring (Steel)
306	698454	Shield—Cylinder	523	692014	Dipstick	726		(See Reference 23 for Service)
307	691003	Screw (Cylinder Shield)	524	★281370	Seal—Dipstick Tube	726A	399676	Gear—Ring (Aluminum) (Services Plastic Ring Gear Only)
309	693551	Motor—Starter (Steel Ring Gear Only)	525	691398	Tube—Dipstick	727	490324	Cover—Starter Drive
		Note						
		497595 Motor—Starter (Plastic Ring Gear Only)						
310	690323	Screw (Starter Motor)						
311	497608	Set—Brush						
318	692127	Screw (Mounting Bracket)						

★ Engine Gasket Set – Reference Number 358

● Carburetor Overhaul Kit – Reference 121 & 121A

◆ Carburetor Gasket Set– Reference 977 & 977A

∅ Valve Gasket Set – Reference Number 1095

REF. NO.	PART NO.	DESCRIPTION	REF. NO.	PART NO.	DESCRIPTION	REF. NO.	PART NO.	DESCRIPTION
729	691335	Clip–Wire (Fuel Solenoid)	914	691108	Screw (Rocker Cover)	1026	692003	Rod–Push (Intake)
729A	691224	Clip–Wire (Starter Motor)	921	692417	Cover–Blower Housing	———— Note ————		
732	691002	Screw (Starter Drive Cover)	934	691058	Screw (Fan Retainer)			692011 Rod–Push (Exhaust)
733	691658	Screw (Crankshaft Extension)	943	★690589	Seal–O Ring (Oil Pump Cover)	1027	492932	Filter–Oil
741	691284	Gear–Timing	947	692734	Solenoid–Fuel	1029	691751	Arm–Rocker
750	691033	Screw (Oil Pump Cover)	947A	695423	Solenoid–Fuel	1032	491710	Ball–Oil Pump
757	691714	Link–Counterweight	950	691657	Screw–Float Bowl	1034	690822	Guide–Push Rod
758	692423	Counterweight	965	499613	Cover–Oil Pump	1035	693784	Shaft–Pump
759	691239	Pin–Counterweight	967	272403	Filter–Pre Cleaner	1036	695700	Label–Emissions (Used After Code Date 00063000).
761	691096	Screw (Counterweight Link)	968	692139	Cover–Air Cleaner	———— Note ————		
783	693713	Gear–Pinion (Steel Ring Gear Only)	969	691108	Screw (Blower Housing Cover)			695036 Label– Emissions (Used After Code Date 99093000 and Before Code Date 00070100).
783A	693059	Gear–Pinion (Aluminum Ring Gear Only)	969A	690365	Screw (Blower Housing Cover)			694318 Label– Emissions (Used After Code Date 98123100 and Before Code Date 99100100).
783B	693058	Gear–Pinion (Plastic Ring Gear Only)	971	692129	Screw (Air Cleaner Base to Carburetor)			499364 Label– Emissions (Used Before Code Date 99010100).
789	692037	Harness–Wiring (Fuel Solenoid)	975	495933	Bowl–Float	1051	691265	Ring–Retaining
797	693167	Nut (Brush Retainer)	975A	695417	Bowl–Float	1058	273933	Operator’s Manual
801	691283	Cap–Drive	977	690192	Gasket Set–Carburetor	1059	698516	Kit–Screw/Washer
802	691286	Cap–End	977A	695428	Gasket Set–Carburetor	1090	691293	Retainer–Brush
803	693757	Housing–Starter	987	●691326	Seal–Throttle Shaft	1091	691333	Cap–Limiter
810	691779	Extension–Crankshaft	987A	●698777	Seal–Throttle Shaft	1095	691581	Gasket Set–Valve
830	691095	Stud–Rocker Arm	996	690678	Shield–Carburetor	1119	691183	Screw (Alternator)
842	★691870	Seal–O Ring (Dipstick Tube)	1005	697853	Fan–Flywheel	1127	695407	Screw (Float Bowl)
847	496415	Dipstick/Tube Assembly	1006	690452	Retainer–Fan	1330	272147	Repair Manual
851	692424	Terminal–Spark Plug	1017	690770	Screen–Oil Pump Used on Type No(s). 0122.			
868	∅★690968	Seal–Valve	1019	496758	Kit–Label			
875	696129	Base–Air Cleaner	1022	∅★272475	Gasket–Rocker Cover			
877	393456	Wire/Connector– Alternator	1023	691192	Cover–Rocker			
			1024	499054	Pump–Oil			

★ Engine Gasket Set – Reference Number 358
● Carburetor Overhaul Kit – Reference 121 & 121A

◆ Carburetor Gasket Set– Reference 977 & 977A
∅ Valve Gasket Set – Reference Number 1095

Free Manuals Download Website

<http://myh66.com>

<http://usermanuals.us>

<http://www.somanuals.com>

<http://www.4manuals.cc>

<http://www.manual-lib.com>

<http://www.404manual.com>

<http://www.luxmanual.com>

<http://aubethermostatmanual.com>

Golf course search by state

<http://golfingnear.com>

Email search by domain

<http://emailbydomain.com>

Auto manuals search

<http://auto.somanuals.com>

TV manuals search

<http://tv.somanuals.com>