



# ELITE Series™

## AIR COMPRESSOR

### Operator's Manual Manuel de l'utilisateur Manual del Operario

Questions? Help is just a moment away!

Vous avez des questions? Vous n'avez pas besoin d'aller  
loin pour trouver de l'aide!

¿Preguntas? ¿La ayuda está a su alcance!

Call: **Helpline**

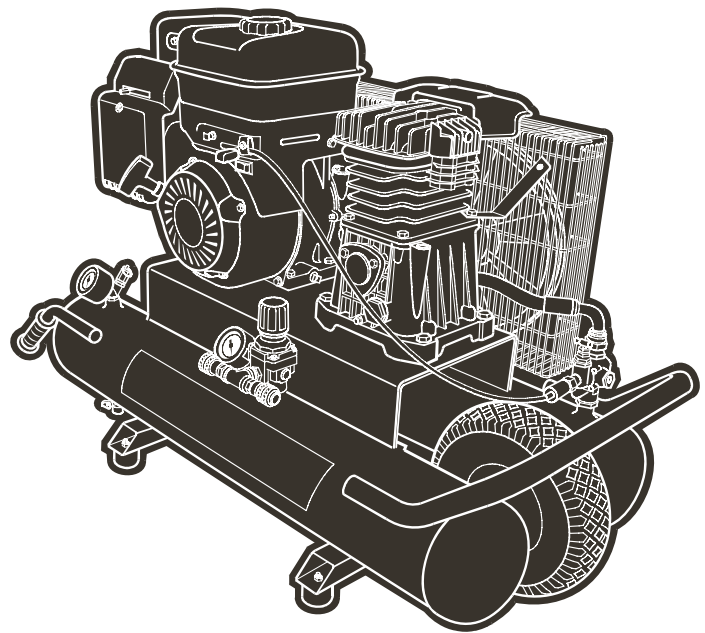
Appelez: **Ligne d'assistance**

Llame: **Línea Directa**

**1-800-743-4115** M-F 8-5 CT

web: [www.briggsandstratton.com](http://www.briggsandstratton.com)

**Model / Modèle / Modelo**  
**074002**



#### **WARNING**

Before using this product, read this manual and follow all Safety Rules and Operating Instructions.



#### **AVERTISSEMENT**

Avant d'utiliser ce produit, veuillez lire le manuel et suivre toutes les directives relatives à la sécurité et à l'utilisation.



#### **ADVERTENCIA**

Antes de utilizar el producto, lea este manual y siga todas las Reglas de Seguridad e Instrucciones de Uso.



**BRIGGS & STRATTON POWER PRODUCTS GROUP, LLC**  
**JEFFERSON, WISCONSIN, U.S.A.**

Manual No. 198854GS  
Revision - (05/23/2006)

## SAVE THESE INSTRUCTIONS

### TABLE OF CONTENTS

Safety Rules .....	2-5
Assembly .....	6-7
Features and Controls .....	8
Operation .....	9-12
Specifications .....	13
Maintenance .....	14-20
Storage .....	20-21
Troubleshooting .....	22-23
Glossary .....	24
Emission Information .....	25
Emission Control Warranty .....	26
Warranty .....	27
Français .....	28-53
Espanol .....	54-80

### EQUIPMENT DESCRIPTION

This manual contains operation and maintenance information for a single stage air compressor that produces 11.0 CFM at 40 PSI (2.8 bars) and 9.0 CFM at 90 PSI (6.2 bars) using a 6.5 HP internal combustion engine. This high quality system features a belt-drive oil lubricated pump with cast iron sleeve, easy start valve, and two air outlets.

Every effort has been made to ensure that information in this manual is accurate and current. However, we reserve the right to change, alter or otherwise improve the product and this document at any time without prior notice.

The Emissions Control System for this air compressor is warranted for standards set by the Environmental Protection Agency and the California Air Resources Board.

Copyright © 2006 Briggs & Stratton Power Products Group, LLC. All rights reserved. No part of this material may be reproduced or transmitted in any form by any means without the express written permission of Briggs & Stratton Power Products Group, LLC.

### Statement of Use

This air compressor has been manufactured to provide an adequate volume of compressed air for operating a variety of light-duty air tools (hand grinders, nailers, ratchets, or staplers), spraying equipment, and inflators requiring less than 9.0 CFM air flow for operation. Operate this compressor ONLY in an ambient temperature range from 32° to 95°F (0° to + 35°C). Operate this compressor ONLY on a level surface to avoid lubrication problems. This compressor is designed for a maximum of 70% duty per hour at full load.



This air compressor is not intended for use in mobile equipment or marine applications.

### SAFETY RULES






**This is the safety alert symbol. It is used to alert you to potential personal injury hazards. Obey all safety messages that follow this symbol to avoid possible injury or death.**



The safety alert symbol (▲) is used with a signal word (DANGER, CAUTION, WARNING), a pictorial and/or a safety message to alert you to hazards. DANGER indicates a hazard which, if not avoided, will result in death or serious injury. WARNING indicates a hazard which, if not avoided, could result in death or serious injury. CAUTION indicates a hazard which, if not avoided, might result in minor or moderate injury. CAUTION, when not used with the safety alert symbol (▲), indicates a situation that could result in equipment damage. Follow safety messages to avoid or reduce the risk of injury or death.



 <b>WARNING</b>	
	The engine exhaust from this product contains chemicals known to the state of California to cause cancer, birth defects, or other reproductive harm.
<ul style="list-style-type: none"> <li>• Operate air compressor ONLY outdoors.</li> <li>• Keep exhaust gas from entering a confined area through windows, doors, ventilation intakes or other openings.</li> <li>• DO NOT operate air compressor inside any building, confined area or enclosure, such as basements, garages or a similar location, even if doors or windows are open.</li> </ul>	

## Hazard Symbols and Meanings

 Air Injection	 Read Instructions	 Compressed Air
 Electrical Shock	 Explosion	 Fire
 Flying Objects	 Hot Surface	 Inhalation
 Kickback	 Moving Parts	 Heavy

 <b>WARNING</b>	
	Running engines produce heat. Temperature of muffler and nearby areas can reach or exceed 150°F (65°C).
	Severe burns can occur on contact. Exhaust heat/gases can ignite combustibles, structures or damage fuel tank causing a fire.
<ul style="list-style-type: none"> <li>• DO NOT touch hot surfaces and avoid hot exhaust gases.</li> <li>• Allow equipment to cool before touching.</li> <li>• Keep at least 5 feet (152 cm) clearance on all sides of compressor including overhead.</li> <li>• Code of Federal Regulation (CFR) Title 36 Parks, Forests, and Public Property require equipment powered by an internal combustion engine to have a spark arrester, maintained in effective working order, complying to USDA Forest service standard 5100-IC or later revision. In the State of California a spark arrester is required under section 4442 of the California Public resources code. Other states may have similar laws.</li> </ul>	

 <b>WARNING</b>	
	Failure to read and follow instructions in manual can result in death, bodily injury and / or property damage.
<ul style="list-style-type: none"> <li>• Before using this product, read this Operator's Manual and follow all Safety Rules and Operating Instructions listed.</li> <li>• Make this manual available to other users of this equipment.</li> </ul>	

 <b>WARNING</b>	
	Hidden internal tank corrosion can cause violent explosion leading to severe injury and / or property damage. Exceeding pressure rating of attachments or inflatables can cause severe injury and / or property damage. Tampering with or removing ASME Safety Valve can cause explosion leading to severe injury or property damage.
<ul style="list-style-type: none"> <li>• DRAIN TANK after every 4 hours of use or daily by opening drain fitting(s) and tilting compressor to empty accumulated water.</li> <li>• DO NOT modify or repair tank in any way.</li> <li>• DO NOT adjust pressure greater than maximum rating of attachments or inflatables.</li> <li>• DO NOT tamper with or remove ASME Safety Valve. Inspect ASME Safety Valve by pulling ring before each use. ASME Safety Valve has been set to maximum safe rating.</li> </ul>	

 <b>WARNING</b>	
	Spraying flammable or combustible liquids can cause fire or explosion.
	Compressor produces sparks during operation, which can ignite flammable or combustible vapors.
<ul style="list-style-type: none"> <li>• DO NOT spray flammable or combustible liquids while smoking, near sparks, open flames, pilot lights, any ignition source, or in confined areas.</li> <li>• Spray in an open, well ventilated area at least 20 feet (6.1 meters) away from compressor or other ignition source.</li> </ul>	

## SAFETY RULES

### **WARNING**



Compressed air stream from hose or tank drain can cause soft tissue damage to exposed skin and can propel objects leading to severe injury and / or property damage.

- DO NOT direct air stream at self or others.
- DO NOT attempt to repair air hose(s).
- Always wear ANSI Z87.1 approved safety glasses with side shields.

### **WARNING**



Starter and other rotating parts can entangle hands, hair, clothing, or accessories.

- DO NOT operate with protective covers / guards removed or damaged.
- NEVER place hands or body parts inside of running unit or hoses.
- DO NOT wear loose clothing, jewelry or anything that may be caught in rotating parts.
- Tie up long hair and remove jewelry.

### **WARNING**



Running air compressor gives off carbon monoxide, an odorless, colorless, poison gas. Breathing carbon monoxide can cause nausea, fainting or death.

- Operate air compressor **ONLY** outdoors.
- Keep exhaust gas from entering a confined area through windows, doors, ventilation intakes or other openings.
- DO NOT operate air compressor inside any building, confined area or enclosure, such as basements, garages or a similar location, even if doors or windows are open.

### **WARNING**



Compressed air is not breathable and can cause bodily injury.

Some paints or solvents may be harmful if inhaled or ingested, causing severe nausea, fainting or poisoning.

- DO NOT use compressed air for breathing.
- Always use NIOSH respirator approved for your application when spraying.
- Read all instructions with respirator so you are certain it will provide necessary protection against inhaling harmful vapors.

### **WARNING**



Hot parts and exhaust gases can exceed 150°F and can cause burns.

- DO NOT touch hot parts and AVOID hot exhaust gases.
- Allow compressor to cool before servicing.

### **WARNING**





Rapid retraction of starter cord (kickback) will pull hand and arm toward engine faster than you can let go.

Broken bones, fractures, bruises or sprains could result.

- NEVER pull starter cord without first opening start valve to release pressure.
- When starting engine, pull cord slowly until resistance is felt and then pull rapidly to avoid kickback.

**⚠ WARNING**

 Unintentional sparking can result in fire or electric shock.



**WHEN ADJUSTING OR MAKING REPAIRS TO YOUR AIR COMPRESSOR**

- Disconnect the spark plug wire from the spark plug and place the wire where it cannot contact spark plug.

**WHEN TESTING FOR ENGINE SPARK**

- Use approved spark plug tester.
- DO NOT check for spark with spark plug removed.

**⚠ CAUTION**

Excessively high operating speeds increase risk of injury and damage to air compressor.

Excessively low speeds impose a heavy load.

- DO NOT tamper with governed speed.
- DO NOT modify air compressor in any way.
- DO NOT allow unqualified persons or children to operate or service air compressor.

**⚠ CAUTION**

Avoid prolonged or repeated skin contact with used engine oil.

- Used engine oil has been shown to cause skin cancer in certain laboratory animals.
- Thoroughly wash exposed areas with soap and water.

**CAUTION**

Serious damage may result if operating the unit with insufficient oil. Check oil level daily or with each use.


- Damage to equipment resulting from failure to follow this instruction will void warranty.


**CAUTION**

Serious damage may result if the break-in instructions are not closely followed.

- This procedure is required before the air compressor is put into service and when the Check Valve or a complete compressor pump has been replaced.

**⚠ WARNING**

 Fuel and its vapors are extremely flammable and explosive.

 Fire or explosion can cause severe burns or death.

**WHEN ADDING OR DRAINING FUEL**

- Turn compressor engine **OFF** and let it cool at least 2 minutes before removing fuel cap. Loosen cap slowly to relieve pressure in tank.
- Fill or drain fuel tank outdoors.
- DO NOT overfill tank. Allow space for fuel expansion.
- If fuel spills, wait until it evaporates before starting engine.
- Keep fuel away from sparks, open flames, pilot lights, heat, and other ignition sources.
- DO NOT light a cigarette or smoke.

**WHEN STARTING EQUIPMENT**

- Ensure spark plug, muffler, fuel cap and air cleaner are in place.
- DO NOT start engine with spark plug removed.

**WHEN OPERATING EQUIPMENT**

- DO NOT spray flammable liquids, such as fuel or fuel oils.
- This air compressor is not for use in mobile equipment or marine applications.
- DO NOT tip air compressor at angle which causes fuel to spill.
- Secure air compressor in a stable position, especially when transporting.
- DO NOT stop engine by moving choke lever to **CHOKE** position.

**WHEN TRANSPORTING OR REPAIRING EQUIPMENT**

- Transport/repair with fuel tank **EMPTY** or with fuel shutoff valve **OFF**.
- Disconnect spark plug wire.

**WHEN STORING FUEL OR EQUIPMENT WITH FUEL IN TANK**

- Store away from furnaces, stoves, water heaters, clothes dryers or other appliances that have pilot light or other ignition source because they can ignite fuel vapors.

## ASSEMBLY

### Carton Contents

- Air compressor
- Operator's manual
- Pump oil fill cap

If any parts are missing, call the air compressor helpline at **1-800-743-4115**.

#### Your compressor is ready for use when:

- Oil levels in pump and engine are verified
- Pump oil breather cap is installed
- Break-In Procedure completed
- Tire is properly inflated to 36 psi (2.5 bars).

### Unpacking

1. Cut shipping straps from carton and discard.
2. Lift carton off unit.
3. Cut shipping straps from compressor and discard.
4. Roll compressor off shipping pallet.

#### Also Recommended for Use:

- Safety glasses (ANSI Z87.1 approved safety glasses with side shields)
- Air hose - 25 ft (7.5M), 3/8 inch diameter
- Quick connector fitting - Use type I/M quick connect fittings that attach to 1/4 inch NPT thread
- Hearing protection (ANSI S3.19-1974) in noisy environments
- Respirator (NIOSH-approved) in dusty environments




### Verify Engine and Pump Oil Levels

**CAUTION!** Any attempt to start the compressor before it has been properly serviced with the recommended oil may result in an engine and / or pump failure.

1. Place air compressor on a flat, level surface.
2. See "INSPECT ENGINE OIL LEVEL" on page 16 to verify engine oil level.
3. See "INSPECT PUMP OIL LEVEL" on page 17 to verify pump oil level.

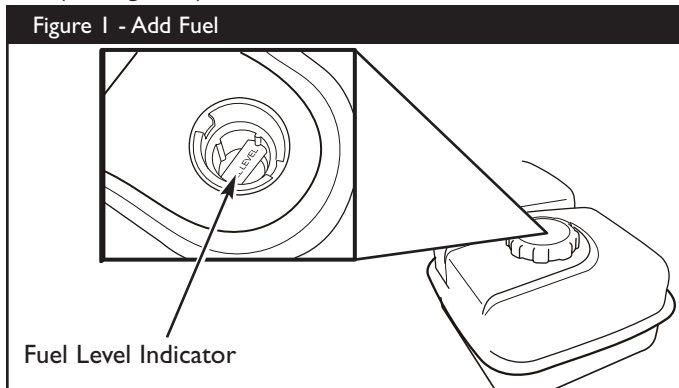
### Add Fuel

**NOTE:** This engine is certified to operate on gasoline. Exhaust Emission Control System: EM (Engine Modifications).

 <b>WARNING</b>	
	Fuel and its vapors are extremely flammable and explosive.
	Fire or explosion can cause severe burns or death.
<b>WHEN ADDING FUEL</b>	
<ul style="list-style-type: none"><li>• Turn compressor OFF and let it cool at least 2 minutes before removing fuel cap. Loosen cap slowly to relieve pressure in tank.</li><li>• Fill fuel tank outdoors.</li><li>• DO NOT overfill tank. Allow space for fuel expansion.</li><li>• If fuel spills, wait until it evaporates before starting engine.</li><li>• Keep fuel away from sparks, open flames, pilot lights, heat, and other ignition sources.</li><li>• DO NOT light a cigarette or smoke.</li></ul>	

1. Use clean, fresh, regular UNLEADED fuel with a minimum of 85 octane. DO NOT use fuel which contains Methanol. DO NOT mix oil with fuel.
2. Clean area around Fuel Tank Cap, remove Fuel Tank Cap.

3. Slowly add fuel to fuel tank. Fill to red fuel level indicator (see Figure 1). Be careful not to overfill tank.



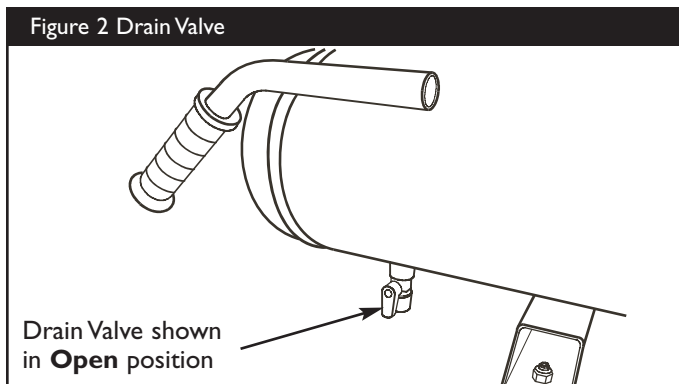
4. Replace fuel cap and wait for any spilled fuel to evaporate.

**CAUTION!** Some fuels, called oxygenated or reformulated fuel, are fuels blended with alcohols or ethers. Excessive amounts of these blends can damage the fuel system or cause performance problems. If any undesirable operating indications occur, use fuel with a lower percentage of alcohol or ether.

Fresh fuel prevents gum from forming in the fuel system or on essential carburetor parts. Purchase only quantities of fuel that can be used within 30 days.

### Install Pump Oil Breather Cap

1. Ensure compressor is resting on a flat, level surface.
2. Open Drain Valves (rotate fully counterclockwise) to release residual air pressure build-up in air tanks (see Figure 2).



### **CAUTION**

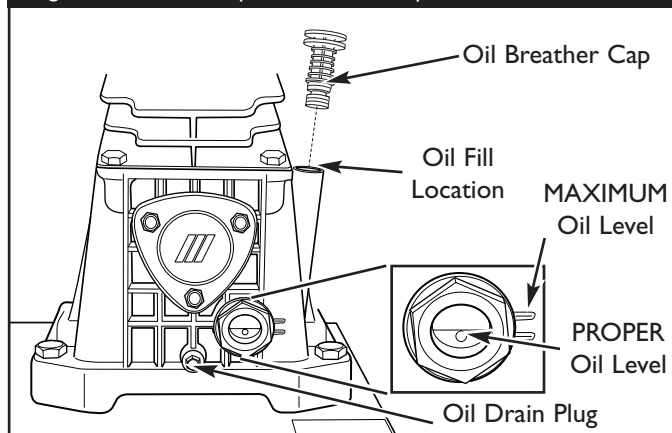


Residual compressed air in pump can propel oil and cause soft tissue damage to exposed skin or eyes leading to severe injury.

- Always wear ANSI Z87.1 approved safety glasses with side shields.

3. Remove and discard shipping cap.
4. Install pump oil breather cap into the oil fill (see Figure 3).

Figure 3 - Install Pump Oil Breather Cap



### **CAUTION**

Serious damage may result if operating the unit with insufficient oil. Inspect oil level daily or with each use.

- Damage to equipment resulting from failure to follow this instruction will void warranty.

5. Wipe up any spilled oil.
6. Close Drain Valves (rotate fully clockwise) (see Figure 2 earlier).



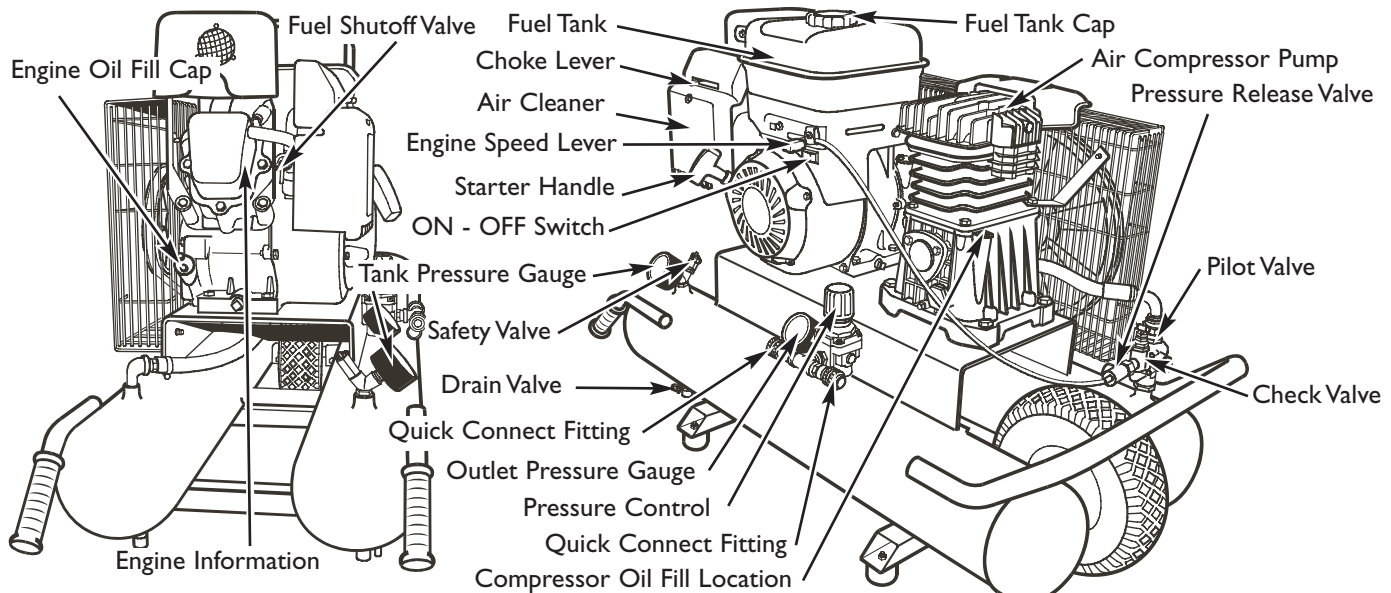
## FEATURES AND CONTROLS

# FEATURES AND CONTROLS



Read this **Operator's Manual** and safety rules before operating your compressor.

Compare this illustration with your air compressor to familiarize yourself with the location of various controls and adjustments. Save this manual for future reference.



**Air Cleaner:** Protects engine by filtering dust and debris out of intake air.

**Air Compressor Pump:** Pump compresses air into tank.

**Check Valve:** When unit is operating, Check Valve is "open", allowing air to enter tank. At "cut-out" pressure, Check Valve closes, preventing air from flowing back into pump. Check Valve is not serviceable by user.

**Choke Lever:** Used when starting a cold engine.

**Data Tag:** (not shown) The data tag contains serial number, model number, and revision number information.

**Drain Valve:** Valves are located near bottom of each air tank at the handle end and are used to drain condensation.

**Engine Information:** Stamped on side of valve cover. Provides model, type and trim number of engine. Please have this information readily available when calling for assistance.

**Engine Speed Lever:** Used to adjust engine speed to control pump output.

**Fuel Shutoff Valve:** Used for turning engine's fuel supply on and off.

**Fuel Tank:** Capacity of one (1) U.S. gallon.

**Fuel Tank Cap:** Inspect and fill gas tank here.

**Engine Oil Fill Cap:** Fill engine with oil here.

**Compressor Oil Fill Location:** Fill pump with oil here. Oil level sight glass indicates pump oil level.

**On/Off Switch:** Set this switch to **ON** before using Starter Handle. Set switch to **OFF** to switch off engine.

**Outlet Pressure Gauge:** Indicates air pressure at Quick Connect Fitting.

**Pressure Control:** Controls air pressure delivered to Quick Connect Fitting; can be secured with locking ring.

**Pressure Release Valve:** Located adjacent to Check Valve, valve automatically releases air from compressor components at "cut-out" pressure or when unit is shut off. Valve is not adjustable or serviceable by user.

**Pilot Valve:** Automatically increases engine speed when tank pressure drops below "cut-in" pressure and idles engine when pressure rises to "cut-out" pressure. Valve is not adjustable or serviceable by user.

**Quick Connect Fittings:** Connect air hoses here.

**Safety Valve:** Valve protects against excessive tank pressure by 'popping out' at its factory setting, thus relieving pressure.

**Starter Handle:** Used to start the engine.

**Tank Pressure Gauge:** Gauge indicates air pressure within air tanks.

**NOTE:** See GLOSSARY on page 24 for definitions.



# OPERATION

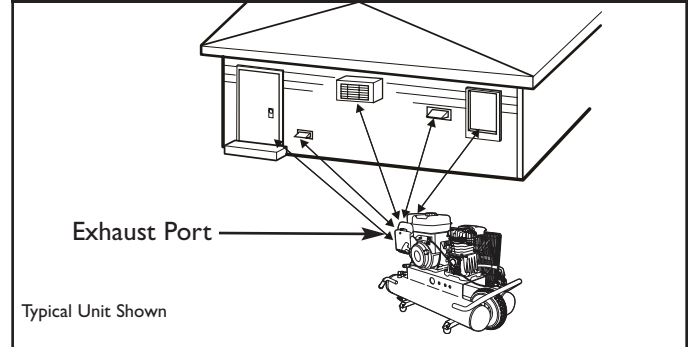
## Air Compressor Operating Location

Place generator in a well ventilated area, which will allow for removal of deadly exhaust gas. **DO NOT** place generator where exhaust gas could accumulate and enter inside or be drawn into a potentially occupied building. Ensure exhaust gas is kept away from any windows, doors, ventilation intakes or other openings that can allow exhaust gas to collect in a confined area (Figure 4). Prevailing winds and air currents should be taken into consideration when positioning generator.



The Air Compressor Pump is designed to allow for proper cooling. Ventilation openings on compressor are necessary to maintain proper operating temperature. **DO NOT** place rags or containers on or near these openings. Keep Air Filter clear of obstructions that could reduce airflow to air compressor.

can allow exhaust to collect in a confined area. Prevailing winds and air currents should be taken into consideration when positioning air compressor (see Figure 4).

Figure 4 — Air Compressor Location




If you have any problems with the operation of your air compressor, call the air compressor helpline at **1-800-743-4115**. If calling for assistance, please have the model, revision, and serial number from the Data Tag available (see Page 22).

<b>⚠ WARNING</b>	
	Fuel and its vapors are extremely flammable and explosive.
	Fire or explosion can cause severe burns or death.
<b>WHEN OPERATING EQUIPMENT</b>	
<ul style="list-style-type: none"> <li>• This air compressor is not for use in mobile equipment or marine applications.</li> <li>• <b>DO NOT</b> tip engine or equipment at angle which causes fuel to spill.</li> <li>• Secure air compressor in a level, stable position.</li> </ul>	

## Break-In Procedure

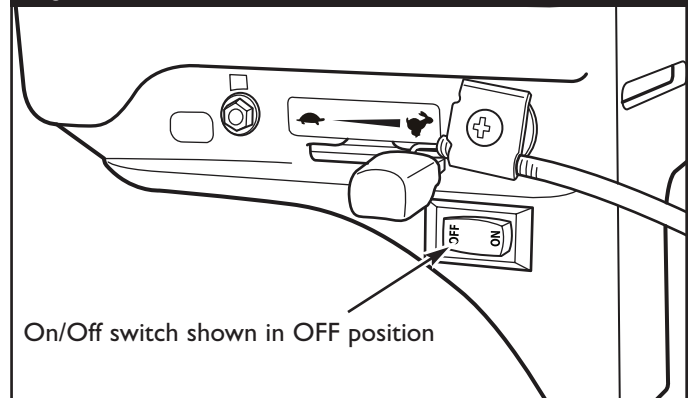
Before first use of this equipment, the system must undergo a break-in operation, as described in this section.

<b>⚠ WARNING</b>	
	Running air compressor gives off carbon monoxide, an odorless, colorless, poison gas. Breathing carbon monoxide can cause nausea, fainting or death.
<ul style="list-style-type: none"> <li>• Operate air compressor <b>ONLY</b> outdoors.</li> <li>• Keep exhaust gas from entering a confined area through windows, doors, ventilation intakes or other openings.</li> <li>• <b>DO NOT</b> operate air compressor inside any building, confined area or enclosure, such as basements, garages or a similar location, even if doors or windows are open.</li> </ul>	

<b>CAUTION</b>
Serious damage may result if the described break-in instructions are not closely followed.
<ul style="list-style-type: none"> <li>• This procedure is required before air compressor is put into service and when Check Valve or a complete Air Compressor Pump has been replaced.</li> </ul>

1. Make sure engine **ON/OFF** switch is in **OFF** position (see Figure 5).

Figure 5 - ON/OFF Switch



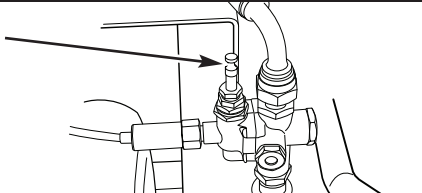
**DO NOT** place air compressor where exhaust gas could accumulate and enter inside or be drawn into a potentially occupied building. Ensure that exhaust is kept away from any windows, doors, ventilation intakes or other openings that

## OPERATION

- Open start valve (turn fully vertical) and both Drain Valves to prevent air pressure build-up in air tanks during break-in period (see Figure 6).

Figure 6 - Start Valve

Start valve is shown in **OPEN** position



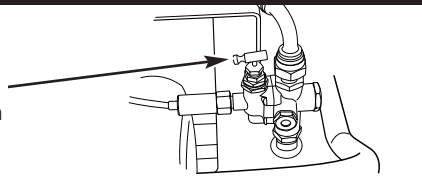
- Turn engine **ON/OFF** switch to **ON** position.
- Start your compressor as described in **STARTING YOUR COMPRESSOR**.

**NOTE:** If you hear leaking air, pull Quick Connect coupler(s) back until it clicks to reset coupler valve.

- Run compressor for 15 minutes. Make sure start valve remains open.
- After 15 minutes, with air compressor running, close start valve (turn fully horizontal) (see Figure 7) and both Drain Valves. Air tanks will fill to “cut-out” pressure and engine speed will slow to idle.

Figure 7 - Start Valve

Start valve is shown in **CLOSED** position



- Turn engine **ON/OFF** switch to **OFF** position.

**NOTE:** Inspect oil level in compressor and engine after break-in.

The compressor has completed the break-in procedure and is ready for normal use.

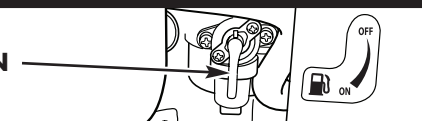
## Starting Your Air Compressor

Use the following start instructions:

- Always operate this unit on a flat, level surface to avoid lubrication problems.
- Move Fuel Shutoff Valve Lever to **ON** position (see Figure 8).

Figure 8 — Fuel Shutoff Valve

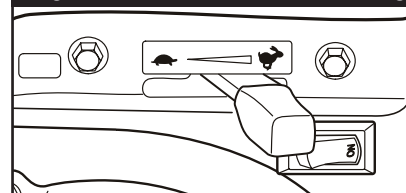
Fuel Shutoff Valve Lever is shown in **ON** position



- Open start valve (turn fully vertical) (see Figure 6).
- Turn engine **ON/OFF** switch to **ON** position (see Figure 9).

Figure 9 — **ON/OFF** Switch and Engine Speed Lever

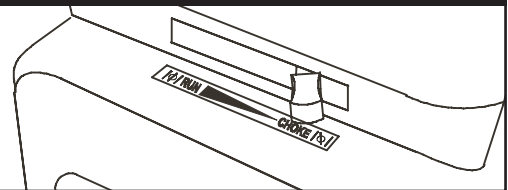
Lever is shown in **FAST** position  
Switch is shown in **ON** position



- Move Engine Speed Lever to **FAST** (↕) position (see Figure 9).
- Move Choke Lever to **CHOKE** (|X|) position (see Figure 10).

Figure 10 — Choke Lever

Choke Lever shown in **CHOKE** position



- Grasp Starter Handle and pull slowly until slight resistance is felt. Then pull handle rapidly to overcome compression, prevent kickback, and start engine.

### **WARNING**





Rapid retraction of starter cord (kickback) will pull hand and arm toward engine faster than you can let go.

Broken bones, fractures, bruises or sprains could result.

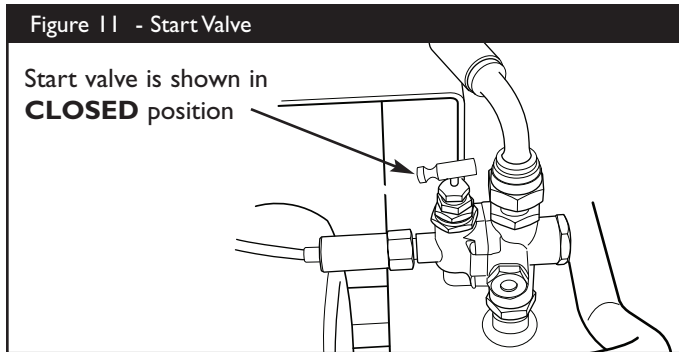
- NEVER** pull starter cord without first opening start valve to release pressure.
- When starting engine, pull cord slowly until resistance is felt and then pull rapidly to avoid kickback.

**IMPORTANT:** If excessive fuel is present in the air/fuel mixture causing a “flooded” condition, move Choke Lever to **RUN** (|+|) position and pull handle repeatedly until engine starts.

- Move Choke Lever to **RUN** (|+|) position a short distance at a time over several seconds in warm weather or several minutes in cold weather. Let engine run smoothly before each change. Operate with choke in **RUN** position.

<b>⚠ WARNING</b>	
	Running engines produce heat. Temperature of muffler and nearby areas can reach or exceed 150°F (65°C).
	Severe burns can occur on contact. Exhaust heat/gases can ignite combustibles, structures or damage fuel tank causing a fire.
<ul style="list-style-type: none"> <li>• DO NOT touch hot surfaces and avoid hot exhaust gases.</li> <li>• Allow equipment to cool before touching.</li> <li>• Keep at least 5 feet (152 cm) of clearance on all sides of air compressor including overhead.</li> <li>• Code of Federal Regulation (CFR) Title 36 Parks, Forests, and Public Property require equipment powered by an internal combustion engine to have a spark arrester, maintained in effective working order, complying to USDA Forest service standard 5100-1C or later revision. In the State of California a spark arrester is required under section 4442 of the California Public resources code. Other states may have similar laws.</li> </ul>	

- After engine has been running 1-2 minutes, close start valve (turn fully horizontal) (see Figure 11).



**NOTE:** If the engine fails to start, refer to TROUBLESHOOTING on page 22.

**NOTE:** If you hear air leaking, pull quick connect coupler(s) back until it clicks to reset coupler valve.

The air compressor is fully automatic and is controlled by the Pilot Valve. The compressor runs until pressure in the air tanks reaches “cut-out” pressure, then engine slows to idle speed. The compressor will resume full speed when pressure in the air tanks falls below the “cut-in” pressure. See GLOSSARY on page 24 for definitions.

**NOTE:** Always operate the air compressor in well-ventilated areas free of gasoline or other flammable/combustible vapors. If the compressor is being used to spray volatile chemicals (such as paint), locate the compressor at least 20 feet (6.1 meters) away from the spray area.

### Stopping Your Air Compressor

- Turn engine **ON/OFF** switch to **OFF** position (see Figure 9).

<b>⚠ CAUTION</b>	
Backfire, fire or engine damage could occur.	
<ul style="list-style-type: none"> <li>• DO NOT stop engine by moving choke lever to “Choke” position.</li> </ul>	


- Move Fuel Shutoff Valve lever to **OFF** position (see Figure 8 earlier).
- Pull the Safety Valve ring to release most of the tank’s compressed air. Release valve ring.
- Open Drain Valves to fully drain the air tanks.

**NOTE:** The compressor generates condensation water (condensate) that accumulates in the air tank. Drain the condensate every 4 hours or daily.

- Close Drain Valves.

### Transport

Be sure to transport the compressor in a safe manner and be sure to the secure unit in a stable position. **DO NOT** move unit while engine is running.

<b>⚠ CAUTION</b>	
	Unit is heavy. Take care when lifting or moving unit. Ensure proper footing and use caution when rolling compressor so unit does not tip, cause loss of balance, or spill fuel.
<ul style="list-style-type: none"> <li>• Use the handles to lift or carry the unit.</li> <li>• ALWAYS transport the unit with the engine shut off, spark plug disconnected, Fuel Tank empty, and Fuel Shutoff Valve OFF.</li> <li>• ALWAYS transport, operate, and store this unit on a level surface to avoid tipping hazards and lubrication problems.</li> </ul>	

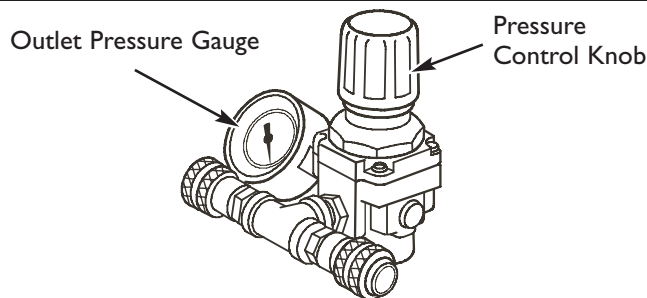
## OPERATION

### Compressor Operation

You do not have to use the maximum operating pressure at all times because the air tool being used often requires less pressure. Here are general guidelines for setting air pressure.

1. With air compressor engine running and air tank pressurized, attach desired air tool or accessory to quick connect fitting. Use recommended air hose and fitting.
2. Activate air tool, pull Pressure Control knob out, then turn Pressure Control knob clockwise to increase outlet pressure (see Figure 12).

Figure 12 - Pressure Control



#### WARNING



Exceeding pressure rating of attachments or inflatables can cause severe injury and/or property damage.

- DO NOT adjust pressure greater than maximum rating of attachments or inflatables.

3. Observe OUTLET PRESSURE GAUGE and adjust pressure to recommended setting of accessory tool.

**NOTE:** You must adjust outlet air pressure while tool is operating or activated.

4. Push Pressure Control knob in to lock in selected pressure setting.
5. Up to two air hoses and air tools may be connected to the air compressor at the same time. Each will receive air at the same outlet pressure.

Observe these safety precautions when operating air compressor:

#### WARNING



Hot parts and exhaust gases can exceed 150°F and can cause burns.

- DO NOT touch hot parts and AVOID hot exhaust gases.
- Allow compressor to cool before servicing.

#### WARNING



Compressed air stream from hose or tank drain can cause soft tissue damage to exposed skin and can propel objects leading to severe injury and / or property damage.

- DO NOT direct air stream at self or others.
- Always wear ANSI Z87.1 approved safety glasses with side shields.

#### WARNING



Compressed air is not breathable and can cause bodily injury.

Some paints or solvents may be harmful if inhaled or ingested, causing severe nausea, fainting or poisoning.

- DO NOT use compressed air for breathing.
- Always use NIOSH respirator approved for your application when spraying.
- Read all instructions with respirator so you are certain it will provide necessary protection against inhaling harmful vapors.

#### WARNING



Starter, pulley, flywheel, belt, and other rotating parts can entangle hands, hair, clothing, or accessories.

- DO NOT operate with protective covers / guards removed or damaged.
- NEVER place hands or body parts inside of running unit.
- DO NOT wear loose clothing, jewelry or anything that may be caught in rotating parts.
- Tie up long hair and remove jewelry.

## SPECIFICATIONS

Model 074002 air compressors are powered by a single cylinder, overhead valve (OHV), air cooled, low emissions engine.

In the State of California, these air compressor engines are certified by the California Air Resources Board to meet emissions standards for 250 hours. Such certification does not grant the purchaser, owner or operator of this engine any additional warranties with respect to the performance or operational life of this engine. The engine is warranted as stated on pages 26 and 27.

### Power Ratings

\*The power ratings for an individual engine model are initially developed by starting with SAE (Society of Automotive Engineers) code J1940 (Small Engine Power & Torque Rating Procedure) (Revision 2002-05). Given both the wide array of products on which our engines are placed, and the variety of environmental issues applicable to operating the equipment, it may be that the engine you have purchased will not develop the rated horsepower when used in a piece of power equipment (actual "on-site" power). This difference is due to a variety of factors including, but not limited to, the following: differences in altitude, temperature, barometric pressure, humidity, fuel, engine lubrication, maximum governed engine speed, individual engine to engine variability, design of the particular piece of power equipment, the manner in which the engine is operated, engine run-in to reduce friction and clean out of combustion chambers, adjustments to the valves and carburetor, and other factors. The power ratings may also be adjusted based on comparisons to other similar engines utilized in similar applications, and will therefore not necessarily match the values derived using the above listed codes.

### Product Specifications

Gross\* Horsepower: . . . . . 6.5 HP  
 Pump Type: . . . . . Belt Drive  
 Pump Lubricant: . . . . . SAE 5W50 Synthetic  
 Pump Oil Capacity: . . . . . 15.2 oz. (450ml)  
 Air Delivery:  
 At 40 psi . . . . . 11.0 CFM  
 At 90 psi . . . . . 9.0 CFM  
 Cut-In Pressure Setting: . . . . . 116 psi (8.0 bars)  
 Cut/Out Pressure Setting: . . . . . 145 PSI (10.0 bars)  
 Tank capacity: . . . . . 8 Gallons (30 L)  
 Tank Style: . . . . . Double, Horizontal (Wheelbarrow)  
 Recommended Air Hose Size: . . . . . 3/8 inch ID (14mm)  
 Air Fittings: . . . . . 1/4 inch NPT  
 Quick Connect Fitting Type: . . . . . I/M  
 Operating Temperature Range: . . . . . 32° to 95°F (0° to + 35°C)  
 Tire Air Pressure: . . . . . 36 psi (2.5 bars)  
 Shipping Weight: . . . . . 144lbs. (65.3 Kg)

### Engine Specifications

Gross\* Horsepower . . . . . 6.5 at 3600 rpm  
 Bore . . . . . 2.69 in. (68.3mm)  
 Stroke . . . . . 2.2 in. (55.8mm)  
 Displacement . . . . . 12.57 in. (206 cc)  
 Spark Plug  
 Type: . . . . . Champion RC12YC or Equivalent  
 Set Gap To: . . . . . 0.030inch (0.76mm)  
 Armature Air Gap: . . . . . 0.010-0.014 in. (0.25-0.36mm)  
 Valve clearance with valve springs installed and piston 1/4 in. (6 mm) past top dead center of compression stroke (inspect when engine is cold).  
 Intake . . . . . 0.004-0.006 in. (0.10-0.15 mm)  
 Exhaust . . . . . 0.009-0.011 in. (0.23-0.28 mm)  
 Fuel Capacity . . . . . 1 U.S. gallon  
 Engine Oil Capacity . . . . . 20 Ounces (.6 Liters)  
 Engine Oil Type:  
 Above 40° F . . . . . SAE 30  
 Below 40° F . . . . . SAE 5W-30 or 10W-30

**NOTE:** For practical operation, the horsepower loading should not exceed 85% of rated horsepower. Engine power will decrease 3-1/2% for each 1,000 feet (300 meters) above sea level and 1% for each 10° F (5.6° C) above 77° F (25° C). It will operate satisfactorily at an angle up to 15°.

## MAINTENANCE

To ensure efficient operation and longer life of the air compressor, prepare and follow a routine maintenance schedule. The routine described in this section is intended for an air compressor used under normal daily working conditions. If necessary, modify the schedule to suit the conditions under which you use your compressor. Modifications will depend upon hours of operation and

working environment. Operating air compressors in extremely dirty or hostile environments will require more frequent maintenance checks.

**NOTE:** See FEATURES AND CONTROLS and OPERATION for control locations.

Follow the hourly or calendar intervals, whichever occurs first:

Maintenance Schedule	Service Intervals				Service Dates	
	Daily	Weekly	Every 50 Hours or Yearly	Every 100 Hours or Yearly	Fill in as you complete regular service	
<b>Maintenance Task</b>						
Clean Unit	X					
Inspect Safety Valve	X					
Inspect Fittings/Valves	X					
Inspect Engine Oil Level	X					
Inspect Pump Oil Level		X				
Inspect Engine Air Cleaner		X <sup>1</sup>				
Change Engine Oil			X <sup>2</sup>			
Clean Spark Arrester			X			
Inspect and Clean Pump Air Filter			X			
Change Pump Oil				X <sup>3</sup>		
Inspect Spark Plug				X		
Inspect Safety Labels				X <sup>4</sup>		

- 1 Change more often under dirty or dusty conditions
- 2 Change oil after first 5 hours of operation, then every 50 hours thereafter
- 3 Change oil after first 100 hours of operation, then every 300 hours thereafter
- 4 Inspect annually, replace as necessary



## General Recommendations

Regular maintenance will improve the performance and extend the life of the air compressor.

The air compressor's warranty does not cover items that have been subjected to operator abuse or negligence. To receive full value from the warranty, the operator must maintain the air compressor as instructed in this manual.

Some adjustments will need to be made periodically to properly maintain your air compressor. See any authorized Briggs & Stratton Power Products dealer for service.

All service and adjustments should be made at least once annually. Follow the requirements listed in MAINTENANCE SCHEDULE on page 14.

**NOTE:** Once a year you should clean or replace the spark plug and replace both the engine and pump air filters. A new spark plug and clean air filter assure proper fuel-air mixture and help your engine run better and last longer.

## Emissions Control

Maintenance, replacement or repair of emissions control devices and systems may be performed by any non-road engine repair establishment or individual. See EMISSIONS CONTROL SYSTEM, on page 26.

## Maintenance

Maintenance consists of keeping the air compressor clean. Store the unit in a clean, dry environment where it will not be exposed to excessive dust, dirt, moisture or corrosive vapors. Cooling air fins on the air compressor's engine must not become clogged with dirt, leaves or any other foreign material.

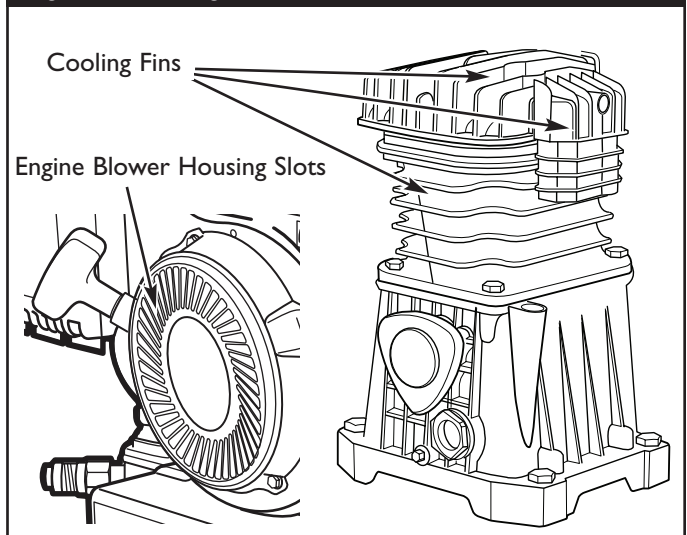
**NOTE:** DO NOT use a garden hose jet or flammable liquids to clean air compressor's engine. Water can enter engine fuel system and cause problems.

## Cleaning Unit

To prolong compressor life, perform these steps weekly. If the operating environment is particularly dirty, clean unit daily.

- I. With spark plug disconnected, use a soft cloth and a small brush for cleaning accumulated dirt and debris from the following locations:
  - Cooling fins on top and sides of Air Compressor Pump, and engine blower housing slots (see Figure 13).

Figure 13 - Cooling Fins



- Oil fill locations and adjacent areas on both Air Compressor Pump housing and Engine
- Oil drain plugs and adjacent areas on both Air Compressor Pump housing and Engine
- Pressure Control knob, gauges, quick connect fitting, Drain Valves and Safety Valve
- Engine **ON/OFF** Switch and adjacent area
- Choke Lever, Engine Speed Lever, Fuel Valve Lever and adjacent area on carburetor
- Spark plug and adjacent area
- Pilot Valve and toggle
- Fuel Tank Cap and adjacent area



### WARNING



Hot parts and exhaust gases can exceed 150°F and can cause burns.

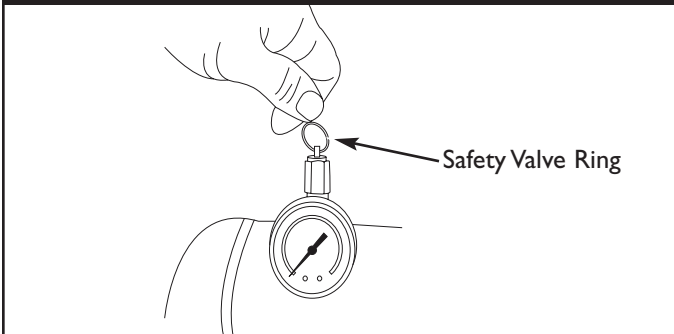
- DO NOT touch hot parts and AVOID hot exhaust gases.
- Allow compressor to cool before servicing.

## MAINTENANCE

### Inspect Safety Valve

1. Pull ring on Safety Valve (see Figure 14) and ensure that Safety Valve operates freely.

Figure 14 - Safety Valve



2. If valve is stuck or does not operate smoothly, it must be replaced with same type of valve. Take unit to authorized service facility for repair.

### Inspect Quick Connect Fittings and Tank Drain Valves

1. Turn engine **ON/OFF** switch to **OFF** position (see Figure 9 earlier).
2. Move Fuel Shutoff Valve lever to **OFF** position (see Figure 8 earlier).

#### WARNING



Compressed air stream from hose or tank drain can cause soft tissue damage to exposed skin and can propel objects leading to severe injury and / or property damage.

- DO NOT direct air stream at self or others.
- Always wear ANSI Z87.1 approved safety glasses with side shields.

3. Disconnect air hose(s), air tool(s), or accessory from unit. Inspect Quick Connect fittings for damage and clean.
4. Pull ring on Safety Valve to reduce air pressure. Release Safety Valve ring.
5. Open Drain Valves (turn fully counterclockwise, see Figure 2, earlier) and discharge accumulated water. Valves should operate smoothly and have full range of operation.
6. After water has drained, close Drain Valves fully clockwise.

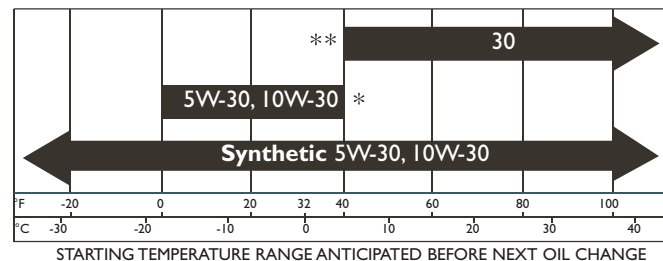
**NOTE:** If Drain Valves are plugged, pull Safety Valve ring to fully drain air from tanks. Remove, clean and reinstall Drain Valves using pipe thread sealant.

### Inspect Engine Oil Level

#### Oil Recommendations

**NOTE:** When adding oil to the engine crankcase, use only high quality detergent oil rated with API service classification SF, SG, SH, SJ or higher. DO NOT use special additives.

1. Choose a viscosity according to the table below:



\* The use of multi-viscosity oils (5W-30, 10W-30, etc.) in temperatures above 40°F (4°C) will result in higher than normal oil consumption. Inspect oil level more often when using a multi-viscosity oil.

\*\* The use of SAE 30 oil in temperatures below 40°F (4°C) will result in hard starting and possible engine bore damage due to inadequate lubrication.

**NOTE:** Synthetic oil meeting ILSAC GF-2, API certification mark and API service symbol with "SJ/CF ENERGY CONSERVING" or higher, is an acceptable oil for use at all temperatures. Use of synthetic oil does not alter required oil change intervals.

#### Inspecting Engine Oil Level

Inspect oil level prior to each use or at least every 8 hours of operation. Keep oil level maintained.

1. Make sure unit is on a level surface.
2. Remove Oil Fill Cap and wipe clean with cloth.
3. Verify oil is at the point of overflowing at oil fill opening.

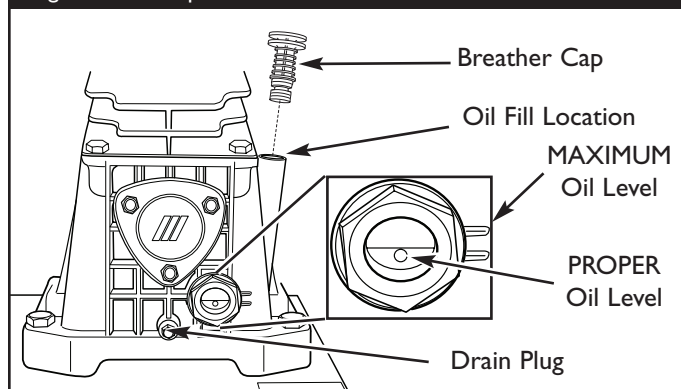
## Inspect Pump Oil Level

### Inspecting Pump Oil Level

Use these steps to inspect oil level:

1. Turn engine **ON/OFF** switch to **OFF** position (see Figure 9 earlier).
2. Move Fuel Shutoff Valve lever to **OFF** position (see Figure 8 earlier).
3. Place unit on a flat, level surface.
4. Carefully observe sight glass and verify that oil level is at proper level. (see Figure 15).

Figure 15 - Pump Oil Fill Information



5. If pump oil level is too low, add recommended oil to proper level (see Figure 15). If oil is above **MAXIMUM Oil Level**, drain excess oil, as described in **CHANGING PUMP OIL** on page 19.

## Inspect Engine Air Cleaner

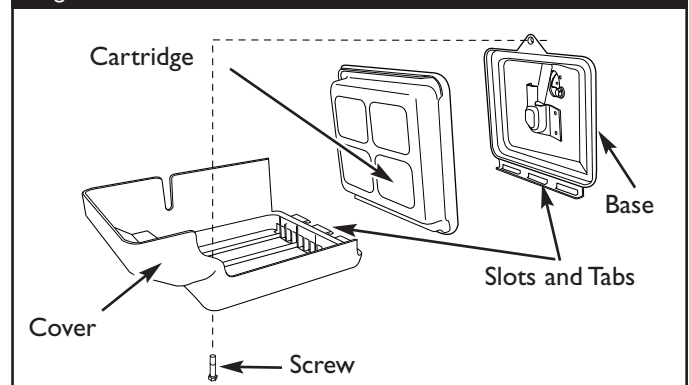
Your engine will not run properly and may be damaged if you operate it with a dirty air cleaner.

Replace the air cleaner every 25 hours of operation or once each year, whichever comes first. Replace filter cartridge more often if operating under dirty or dusty conditions.

To service the air cleaner, follow these steps:

1. Loosen and remove the screw. Tip the cover toward you and lift the tabs out of the slots. (see Figure 16).

Figure 16 - Air Cleaner



2. Carefully lift filter cartridge assembly off the base.
3. Install clean (or new) air cleaner filter cartridge in base. If equipped with pre-cleaner, install with arrows up and lip of pre-cleaner at bottom of cartridge pleats.
4. Install tabs on cover into slots in base and tip cover into position.
5. Insert the screw and tighten.

## Changing Engine Oil

Change the oil after the first 5 hours of operation. Change oil every 50 hours thereafter. If you are using your air compressor under extremely dirty or dusty conditions, or in extremely hot weather, change the oil more often.

### **CAUTION**

Avoid prolonged or repeated skin contact with used engine oil.

- Used engine oil has been shown to cause skin cancer in certain laboratory animals.
- Thoroughly wash exposed areas with soap and water.



**KEEP OUT OF REACH OF CHILDREN. DON'T POLLUTE. CONSERVE RESOURCES. RETURN USED OIL TO COLLECTION CENTERS.**

Change the oil while the engine is still warm from running, as follows:

1. Make sure unit is on a level surface.
2. Disconnect the spark plug wire from the spark plug and place the wire where it cannot contact spark plug.

## MAINTENANCE

### **WARNING**



Unintentional sparking can result in fire or electric shock.



#### **WHEN ADJUSTING OR MAKING REPAIRS TO YOUR AIR COMPRESSOR**

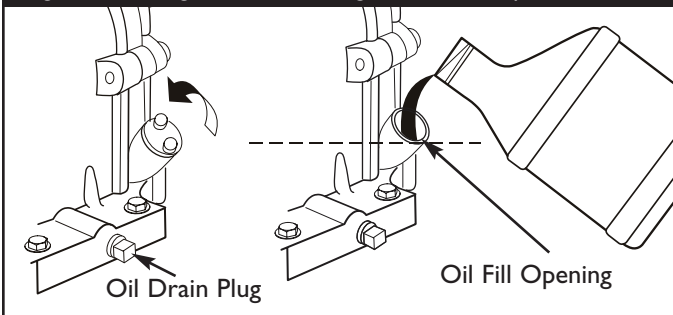
- Disconnect the spark plug wire from the spark plug and place the wire where it cannot contact spark plug.

#### **WHEN TESTING FOR ENGINE SPARK**

- Use approved spark plug tester.
- **DO NOT** check for spark with spark plug removed.

3. Clean area around engine oil drain plug. The oil drain plug is located at base of engine, opposite carburetor (see Figure 17).

Figure 17 — Engine Oil Drain Plug and Oil Fill Cap



4. Remove engine oil drain plug and drain engine oil completely into a suitable container.
5. Reinstall engine oil drain plug and tighten securely. Remove Oil Fill Cap.
6. Use an oil funnel and slowly pour oil (about 20 oz.) into oil fill opening to the point of overflowing at Oil Fill Cap (see Figure 17). **DO NOT** overfill.
7. Reinstall Oil Fill Cap. Finger tighten cap securely.
8. Wipe up any spilled oil. Dispose of used oil properly.

### **Clean Spark Arrester Screen**

The engine exhaust muffler may be equipped a spark arrester screen. If equipped, inspect and clean the screen every 50 hours of operation or once each year, whichever comes first.

If you use your air compressor on any forest-covered, brush-covered, or grass-covered unimproved land, it must have a spark arrester. The spark arrester must be maintained in good condition by the owner/operator.

### **WARNING**



Running engines produce heat. Temperature of muffler and nearby areas can reach or exceed 150°F (65°C).



Severe burns can occur on contact.

Exhaust heat/gases can ignite combustibles, structures or damage fuel tank causing a fire.

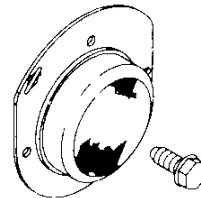
- **DO NOT** touch hot surfaces and avoid hot exhaust gases.
- Allow equipment to cool before touching.
- Keep at least 5 feet (152 cm) of clearance on all sides of air compressor including overhead.
- Code of Federal Regulation (CFR) Title 36 Parks, Forests, and Public Property require equipment powered by an internal combustion engine to have a spark arrester, maintained in effective working order, complying to USDA Forest service standard 5100-1C or later revision. In the State of California a spark arrester is required under section 4442 of the California Public resources code. Other states may have similar laws.

If the engine has been running, the muffler will be very hot. Allow the muffler to cool before servicing the spark arrester.

- Remove spark arrester screen for cleaning and inspection (see Figure 18) by loosening and removing the screws in the muffler guard used to hold the screen.

Figure 18 - Spark Arrester

Typical Spark Arrester Shown



- Inspect screen and replace if torn, perforated or otherwise damaged. **DO NOT** use a defective screen. If screen is not damaged, clean it with commercial solvent.
- Reattach spark arrester screen to muffler guard by installing the screws in the holes provided.

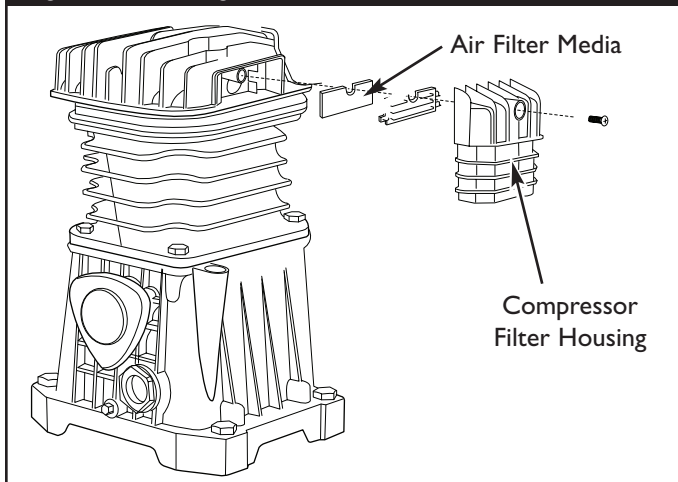
**NOTE:** You can purchase a new spark arrester screen by calling 1-800-743-4115.

## Inspect / Clean Pump Air Filter

Use the following steps to inspect and clean the compressor pump's internal air filter.

1. With air tanks fully pressurized.
2. Turn engine **ON/OFF** switch to **OFF** position (see Figure 9 earlier).
3. Move Fuel Shutoff Valve lever to **OFF** position (see Figure 8 earlier).
4. Use phillips screwdriver to remove screw holding air filter cover and remove air filter cover (see Figure 19).

Figure 19 - Servicing Air Filter



5. Remove air filter media.

**IMPORTANT:** DO NOT operate compressor with air filter removed.

6. If dirty, use low pressure compressed air (not to exceed 25 psi) to dislodge dirt from air filter media. Also, blow debris out of air filter cover and compressor filter housing (see Figure 19).

**NOTE:** DO NOT use liquid solvents to clean filter media.

7. Replace air filter media in compressor filter housing.
8. Position air filter cover over air filter media. Use phillips screwdriver to secure cover with screw.

**NOTE:** Replace air filter media if it is extremely dirty.

## Changing Pump Oil

Follow these steps at the recommended oil change interval:

1. Turn engine **ON/OFF** switch to **OFF** position (see Figure 9 earlier).
2. Move Fuel Shutoff Valve lever to **OFF** position (see Figure 8 earlier).
3. Place unit on a flat, level surface.

### **WARNING**



Hot parts and exhaust gases can exceed 150°F and can cause burns.

- DO NOT touch hot parts and AVOID hot exhaust gases.
- Allow compressor to cool before servicing.

4. Remove oil breather cap from oil fill location.

### **CAUTION**

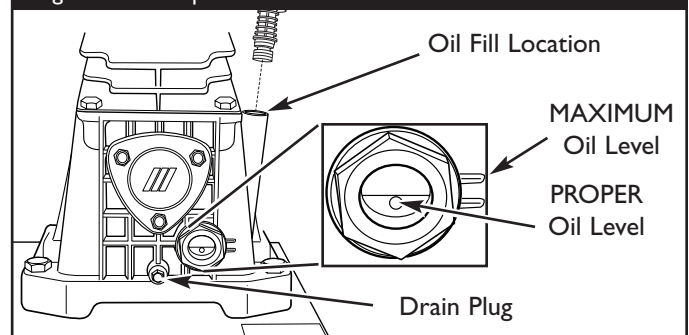


Residual compressed air in pump can propel oil and cause soft tissue damage to exposed skin or eyes leading to severe injury.

- Always wear ANSI Z87.1 approved safety glasses with side shields.

5. Position suitable container under drain plug to collect drain oil.
6. Use an adjustable wrench to remove drain plug.
7. Fully drain oil into container. Install drain plug and tighten using adjustable wrench. Dispose of used oil properly.
8. Using oil funnel, slowly add recommended oil. Visually inspect oil level frequently at sight glass to avoid overfilling Air Compressor Pump (see Figure 20).

Figure 20 - Pump Oil Fill Information



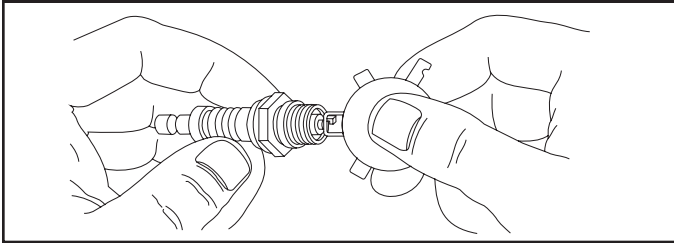
9. When oil is at proper level, reinstall oil breather cap and wipe up any spilled oil.

### Inspect Spark Plug

Change the spark plug every 100 hours of operation or once each year, whichever comes first. This will help your engine to start easier and run better.

1. Clean area around spark plug.
2. Remove and inspect spark plug.
3. Inspect electrode gap with wire feeler gauge and set spark plug gap to 0.030 inch (0.76mm) if necessary (see Figure 21).

Figure 21 — Spark Plug



4. Replace spark plug if electrodes are pitted, burned, or if porcelain is cracked. Use the recommended replacement spark plug (see Page 13).
5. Install spark plug and tighten firmly.

### Inspect Safety Labels

As often as desired or at least yearly, inspect all labels applied to the air compressor. All safety labels should be present and readable. If any safety label is missing or illegible, obtain a replacement from an authorized service center or call the air compressor helpline at **1-800-743-4115**.

### STORAGE

The air compressor should be started at least once every seven days and allowed to run at least 30 minutes. If this cannot be done and you must store the unit for more than 30 days, use the following information as a guide to prepare it for storage.

Before you store your air compressor, make sure you perform the following:

1. Review MAINTENANCE beginning on page 14 and perform scheduled maintenance as necessary.
2. Turn engine **ON/OFF** switch to **OFF** position (see Figure 9 earlier).
3. Move Fuel Shutoff Valve lever to **OFF** position (see Figure 8 earlier).
4. Turn Pressure Control knob counterclockwise until knob turns freely.
5. Remove air hose(s), air tool(s), or accessories.
6. Pull ring on Safety Valve and drain air from air tanks to reduce air pressure. Release Safety Valve ring.
7. Drain remaining air and water condensate from tanks by opening Drain Valves fully counterclockwise.
8. Rock unit gently side to side or forward and back to agitate condensate as it drains to obtain a more thorough emptying action.
9. After condensate has been drained, close Drain Valves fully clockwise.
10. Protect air hose(s) from damage (such as being stepped on or driven over).

### Long Term Storage Instructions

It is important to prevent gum deposits from forming in essential fuel system parts, such as the carburetor, fuel filter, fuel hose or tanks during storage. Also, experience indicates that alcohol-blended fuels (called gasohol, ethanol or methanol) can attract moisture, which leads to separation and formation of acids during storage. Acidic fuel can damage the fuel system of an engine while in storage.

#### Fuel Additive:




If using a fuel additive, fill the Fuel Tank with fresh fuel. If only partially filled, air in the Fuel Tank will promote fuel deterioration during storage. Engine and fuel can be stored up to 24 months with additive.

- Add fuel additive following manufacturer's instructions.



- Run engine outdoors for 30 seconds to be sure that treated fuel has replaced untreated fuel in the carburetor.

If fuel additive is not used, remove all fuel from Fuel Tank and run engine until it stops from lack of fuel.




 <b>WARNING</b>	
	Fuel and its vapors are extremely flammable and explosive.
	Fire or explosion can cause severe burns or death.
<b>WHEN STORING FUEL OR EQUIPMENT WITH FUEL IN TANK</b>	
<ul style="list-style-type: none"> <li>• Store away from furnaces, stoves, water heaters, clothes dryers or other appliances that have pilot light or other ignition source because they can ignite fuel vapors.</li> </ul>	
<b>WHEN DRAINING FUEL</b>	
<ul style="list-style-type: none"> <li>• Turn air compressor OFF and let it cool at least 2 minutes before removing Fuel Tank Cap. Loosen cap slowly to relieve pressure in tank.</li> <li>• Drain Fuel Tank outdoors.</li> <li>• Keep fuel away from sparks, open flames, pilot lights, heat, and other ignition sources.</li> <li>• DO NOT light a cigarette or smoke.</li> </ul>	

**Change Oil**

While engine is still warm, drain oil from crankcase (see Page 17). Refill with recommended grade oil.



**Oil Cylinder Bore**

- Remove spark plug and pour about 1 ounce (30ml) of clean engine oil into the cylinder.
- Install spark plug and pull starter handle slowly to distribute oil.

 <b>WARNING</b>	
	Unintentional sparking can result in fire or electric shock.
	
<ul style="list-style-type: none"> <li>• NEVER pull starter handle with spark plug removed.</li> </ul>	

**Other Storage Tips**

1. DO NOT store fuel from one season to another.
2. Replace fuel can if it starts to rust. Contaminated fuel will cause engine problems.
3. If possible, store unit indoors and cover it to give protection from dust and dirt. **BE SURE TO EMPTY FUEL TANK.**
4. Cover unit with a suitable protective cover that does not retain moisture.

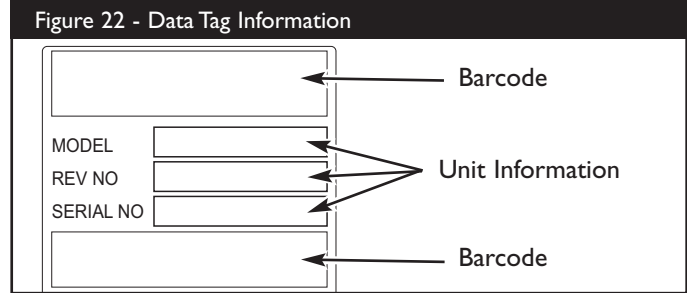
 <b>WARNING</b>	
	Storage covers can be flammable.
<ul style="list-style-type: none"> <li>• DO NOT place a storage cover over a hot air compressor.</li> <li>• Let equipment cool for a sufficient time before placing the cover on the equipment.</li> </ul>	

5. Store air compressor on a level surface in clean, dry, nonfreezing indoor location.

# TROUBLESHOOTING

## Before You Call

If you have any problems with the operation of your air compressor, please call the air compressor helpline at **1-800-743-4115**. If calling for assistance, please have the model, revision, and serial number information printed on the data tag available. (see Figure 22).



<b>PROBLEM</b>	<b>CAUSE</b>	<b>CORRECTION</b>
<b>Excessive tank pressure - Safety Valve pops off.</b>	Pressure Switch does not shut off engine when compressor reaches “cut-out” pressure or “cut-off” setting too high.	Move engine <b>ON/OFF</b> Switch to <b>OFF</b> position. Contact trained service technician.
<b>Air losses</b>	<ol style="list-style-type: none"> <li>1. Quick Connect Fitting cracked or loose.</li> <li>2. Check Valve seat dirty or damaged.</li> <li>3. Defective Pressure Release Valve.</li> <li>4. Defective air tank.</li> <li>5. Leaking seal.</li> <li>6. Damaged Pressure Control.</li> </ol>	<ol style="list-style-type: none"> <li>1. Tighten Quick Connect Fittings where air can be heard escaping. Replace fittings.</li> <li>2. Contact trained service technician.</li> <li>3. Contact trained service technician.</li> <li>4. Air tank must be replaced. <b>DO NOT REPAIR TANK.</b></li> <li>5. Contact trained service technician.</li> <li>6. Contact trained service technician.</li> </ol>
<b>Knocking noise</b>	Safety Valve dirty or defective.	Operate Safety Valve manually by pulling on ring. If valve still leaks, have it replaced at an authorized service center.

PROBLEM	CAUSE	CORRECTION
<b>Compressor is not supplying enough air to operate accessories.</b>	<ol style="list-style-type: none"> <li>1. Prolonged excessive use of air.</li> <li>2. Compressor is not large enough for air requirement.</li> <li>3. Hole in hose.</li> <li>4. Check Valve restricted or leaks air.</li> <li>5. Restricted air intake filter.</li> </ol>	<ol style="list-style-type: none"> <li>1. Decrease amount of air used.</li> <li>2. Check the accessory requirement. If it is higher than the CFM or pressure supplied by your air compressor, you need a larger capacity air compressor.</li> <li>3. Inspect and replace if required.</li> <li>4. Contact trained service technician.</li> <li>5. Clean or replace air intake filter (see page 19).</li> </ol>
<b>Engine will not start; lacks power; starts and runs rough; or engine speed constantly fluctuates (hunts).</b>	<ol style="list-style-type: none"> <li>1. <b>ON/OFF</b> switch set to <b>OFF</b>.</li> <li>2. Fuel valve is in <b>OFF</b> position.</li> <li>3. Dirty air cleaner.</li> <li>4. Out of fuel.</li> <li>5. Stale or contaminated fuel, or water in fuel.</li> <li>6. Spark plug wire not connected to spark plug.</li> <li>7. Bad spark plug.</li> <li>8. Excessive fuel is present in the air/fuel mixture causing a "flooded" condition.</li> <li>9. Excessively rich fuel mixture.</li> <li>10. Intake valve stuck open or closed.</li> <li>11. Engine has lost compression.</li> <li>12. Carburetor is running too rich or too lean.</li> </ol>	<ol style="list-style-type: none"> <li>1. Set switch to <b>ON</b>.</li> <li>2. Turn fuel valve to <b>ON</b> position.</li> <li>3. Clean or replace air cleaner.</li> <li>4. Wait two minutes and fill fuel tank.</li> <li>5. Drain fuel tank and carburetor; fill with fresh fuel.</li> <li>6. Connect wire to spark plug.</li> <li>7. Replace spark plug.</li> <li>8. Wait 5 minutes and re-start engine.</li> <li>9. Contact Authorized service facility.</li> <li>10. Contact Authorized service facility.</li> <li>11. Contact Authorized service facility.</li> <li>12. Contact Authorized service facility.</li> </ol>
<b>Engine shuts down when running.</b>	Out of gasoline.	Wait two minutes and fill fuel tank.
<b>Compressor will not run.</b>	<ol style="list-style-type: none"> <li>1. Tank pressure exceeds Pilot Valve "cut-in" pressure.</li> <li>2. Loose electrical connections.</li> <li>3. Start valve on Pilot Valve has not unloaded head pressure.</li> </ol>	<ol style="list-style-type: none"> <li>1. Engine will go from idle to full speed when tank pressure drops below "cut-in" pressure setting.</li> <li>2. Contact trained service technician.</li> <li>3. Drain pressure by opening start valve. If the toggle does not open, pull Safety Valve ring; replace Pilot Valve.</li> </ol>

## GLOSSARY

Becoming familiar with these terms will help you understand and operate most air compressors:

**Air Delivery** – A combination of psi and CFM. The air delivery required by a tool or accessory is stated as “number’ (S)CFM at ‘number’ psi”. For example “9.0 CFM at 90 psi”. The combination of these values dictates the required air compressor capacity.

**Air Tank Capacity** – The volume of air stored in the tank and available for immediate use.

**Alternating Current (AC)** - Voltage that increases to a maximum positive value (+) and falls back to zero and then continues to a maximum negative value (-) and back to zero. This cycle is repeated 60 times each second for 60 hertz AC power.

**ASME Certified** - Indicates that the pressure vessel (air tank) and related components are manufactured, tested, and inspected to the specifications set by the American Society of Mechanical Engineers.

**ASME Safety Valve** - A protection device that automatically releases tank air if the air contained within exceeds a preset maximum rating.

**Cast Iron Sleeve** - A thin iron cylinder cast into the cylinder head, producing a harder surface between the aluminum cylinder walls and steel piston rings, thus extending the life of the compressor.

**CFM or SCFM** (Standard Cubic Feet per Minute). SCFM is the volume of air, in cubic feet, that the compressor can pump in one minute at a specific working pressure. The term CFM is used in this manual.

**Circuit Breaker** - A thermal switch that opens a circuit if too much current is passing through it. The air compressor engine is protected by this resettable device.

**Cut-In Pressure** – As air is taken from the air tank, the tank air pressure drops. At a certain low level, the Pressure Switch senses this low pressure and causes the compressor engine to go from idle to full speed, thus refilling the air tank. The level at which the engine switches ON is called the Cut-In Pressure.

**Cut-Out Pressure** – While the compressor is running, air is being produced and stored in the air tank. If no air is being used, air pressure will build in the tank. The Pressure Switch senses this high pressure and at a certain high level, it slows the compressor engine to idle speed. The level at which the engine switches OFF is called the Cut-Out Pressure.

**Duplex Receptacle** - Two 120 volt AC receptacles that are tied together. Similar to common household outlets.

**GFCI** - Ground fault current interrupter. A device that will sense current flow in the milliamp range in a power circuit to ground conductor and activate a relay to open both line conductors.

**Ground** - A connection, either intentional or accidental, between an electric circuit and the earth or some conducting body serving in place of the earth.

**Pressure Control** – Often called a regulator, this device is used to adjust the air compressor’s pressure output. The Pressure Control is adjusted to supply the psi value required by certain air tools, as monitored on the Outlet Pressure Gauge.

**psi** - pounds per square inch. The measure of air pressure delivered by the air compressor system.

**Single Stage** - Single stage refers to an air compressor with one or more cylinders that take air in each cylinder at the down stroke and compresses the air into the air tank on the up stroke.

**Tank Pressure Gauge** – A device used to indicate the air pressure contained in the air tank, in psi

**Two Stage** - A two-stage compressor always has a minimum of two cylinders - a low pressure (LP) cylinder (largest) and an high pressure (HP) cylinder (smallest). As the LP piston goes downward, air is taken in at atmospheric pressure; on the upward stroke the LP piston discharges the air through an intercooler and into the HP cylinder on its downward stroke. On the upward stroke of the HP piston the air is discharged into the air tank. Two-stage compressors are recommended when tool usage is continuous.

**Vibration Isolators** – When installed, are designed to minimize vibrations produced by the air compressor.

## Emissions Durability Period and Air Index Information On Your Engine Emissions Label

Engines that are certified to meet the California Air Resources Board (CARB) Tier 2 Emission Standards must display information regarding the Emissions Durability Period and Air Index. The engine manufacturer makes this information available to the consumer on emission labels.

The **Emissions Durability Period** describes the number of hours of actual running time for which the engine is certified to be emissions compliant, assuming proper maintenance in accordance with the Operating & Maintenance Instructions. The following categories are used:

**Moderate:** Engine is certified to be emission compliant for 125 hours of actual engine running time.

**Intermediate:** Engine is certified to be emission compliant for 250 hours of actual engine running time.

**Extended:** Engine is certified to be emission compliant for 500 hours of actual engine running time.

For example, a typical walk-behind lawn mower is used 20 to 25 hours per year. Therefore, the **Emissions Durability Period** of an engine with an **intermediate** rating would equate to 10 to 12 years.

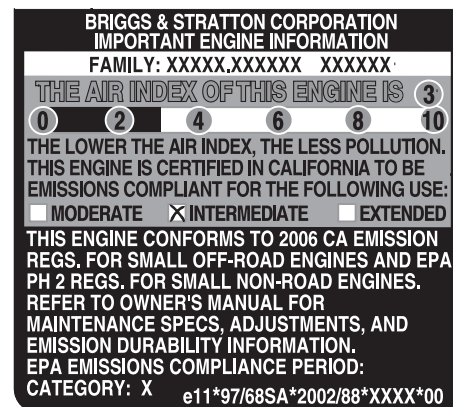
The **Air Index** is a calculated number describing the relative level of emissions for a specific engine family. The lower the **Air Index**, the cleaner the engine. This information is displayed in graphical form on the emissions label.

## Emissions Compliance Period On Engine Emissions Compliance Label

After July 1, 2000 certain Briggs & Stratton engines will be certified to meet the United States Environmental Protection Agency (USEPA) Phase 2 emission standards. For phase 2 certified engines, the Emissions Compliance Period referred to on the Emissions Compliance label indicates the number of operating hours for which the engine has been shown to meet Federal emission requirements. For engines less than 225 cc displacement, Category C = 125 hours, B = 250 hours and A = 500 hours. For engines of 225 cc or more, Category C = 250 hours, B = 500 hours and A = 1000 hours.

This engine has an intermediate rating with an Air Index of 2. The EPA Emissions compliance period is Category B. The displacement of these engines is 206 cc.

Below is a generic representation of the emission label typically found on a certified engine.



# EMISSIONS CONTROL SYSTEM WARRANTY

**Briggs & Stratton Corporation (B&S), the California Air Resources Board (CARB)  
and the United States Environmental Protection Agency (U.S. EPA)**

## **Emissions Control System Warranty Statement (Owner's Defect Warranty Rights and Obligations)**

### **California, United States and Canada Emissions Control Defects Warranty Statement**

The California Air Resources Board (CARB), U.S. EPA and B&S are pleased to explain the Emissions Control System Warranty on your small off-road engine (SORE). In California, new small off-road engines model year 2006 and later must be designed, built and equipped to meet the State's stringent anti-smog standards. Elsewhere in the United States, new non-road, spark-ignition engines certified for model year 1997 and later must meet similar standards set forth by the U.S. EPA. B&S must warrant the emissions control system on your engine for the periods of time listed below, provided there has been no abuse, neglect or improper maintenance of your small off-road engine.

Your emissions control system includes parts such as the carburetor, air cleaner, ignition system, fuel line, muffler and catalytic converter. Also included may be connectors and other emissions related assemblies.

Where a warrantable condition exists, B&S will repair your small off-road engine at no cost to you including diagnosis, parts and labor.

### **Briggs & Stratton Emissions Control Defects Warranty Coverage**

Small off-road engines are warranted relative to emissions control parts defects for a period of two years, subject to provisions set forth below. If any covered part on your engine is defective, the part will be repaired or replaced by B&S.

### **Owner's Warranty Responsibilities**

As the small off-road engine owner, you are responsible for the performance of the required maintenance listed in your Operating and Maintenance Instructions. B&S recommends that you retain all your receipts covering maintenance on your small off-road engine, but B&S cannot deny warranty solely for the lack of receipts or for your failure to ensure the performance of all scheduled maintenance.

As the small off-road engine owner, you should however be aware that B&S may deny you warranty coverage if your small off-road engine or a part has failed due to abuse, neglect, improper maintenance or unapproved modifications.

You are responsible for presenting your small off-road engine to an Authorized B&S Service Dealer as soon as a problem exists. The undisputed warranty repairs should be completed in a reasonable amount of time, not to exceed 30 days.

If you have any questions regarding your warranty rights and responsibilities, you should contact a B&S Service Representative at 1-414-259-5262.

The emissions warranty is a defects warranty. Defects are judged on normal engine performance. The warranty is not related to an in-use emissions test.

### **Briggs & Stratton Emissions Control Defects Warranty Provisions**

The following are specific provisions relative to your Emissions Control Defects Warranty Coverage. It is in addition to the B&S engine warranty for non-regulated engines found in the Owner's Manual.

#### **I. Warranted Parts**

Coverage under this warranty extends only to the parts listed below (the emissions control systems parts) to the extent these parts were present on the engine purchased.

- a. Fuel Metering System
  - Cold start enrichment system (soft choke)
  - Carburetor and internal parts
  - Fuel Pump
  - Fuel line, fuel line fittings, clamps
- b. Air Induction System
  - Air cleaner
  - Intake manifold
- c. Ignition System
  - Spark plug(s)
  - Magneto ignition system
- d. Catalyst System
  - Catalytic converter
  - Exhaust manifold
  - Air injection system or pulse valve
- e. Miscellaneous Items Used in Above Systems
  - Vacuum, temperature, position, time sensitive valves and switches
  - Connectors and assemblies
2. Length of Coverage

B&S warrants to the initial owner and each subsequent purchaser that the Warranted Parts shall be free from defects in materials and workmanship which caused the failure of the Warranted Parts for a period of two years from the date the engine is delivered to a retail purchaser.
3. No Charge

Repair or replacement of any Warranted Part will be performed at no charge to the owner, including diagnostic labor which leads to the determination that a Warranted Part is defective, if the diagnostic work is performed at an Authorized B&S Service Dealer. For emissions warranty service contact your nearest Authorized B&S Service Dealer as listed in the "Yellow Pages" under "Engines, Gasoline," "Gasoline Engines," "Lawn Mowers," or similar category.
4. Claims and Coverage Exclusions

Warranty claims shall be filed in accordance with the provisions of the B&S Engine Warranty Policy. Warranty coverage shall be excluded for failures of Warranted Parts which are not original B&S parts or because of abuse, neglect or improper maintenance as set forth in the B&S Engine Warranty Policy. B&S is not liable to cover failures of Warranted Parts caused by the use of add-on, non-original, or modified parts.
5. Maintenance

Any Warranted Part which is not scheduled for replacement as required maintenance or which is scheduled only for regular inspection to the effect of "repair or replace as necessary" shall be warranted as to defects for the warranty period. Any Warranted Part which is scheduled for replacement as required maintenance shall be warranted as to defects only for the period of time up to the first scheduled replacement for that part. Any replacement part that is equivalent in performance and durability may be used in the performance of any maintenance or repairs. The owner is responsible for the performance of all required maintenance, as defined in the B&S Owner's Manual.
6. Consequential Coverage

Coverage hereunder shall extend to the failure of any engine components caused by the failure of any Warranted Part still under warranty.



## BRIGGS & STRATTON POWER PRODUCTS GROUP, LLC AIR COMPRESSOR OWNER WARRANTY POLICY

Effective October 1, 2005 replaces all undated Warranties and all Warranties dated before October 1, 2005

### LIMITED WARRANTY

Briggs & Stratton Power Products Group, LLC will repair or replace, free of charge, any part(s) of the air compressor that is defective in material or workmanship or both. Transportation charges on product submitted for repair or replacement under this warranty must be borne by purchaser. This warranty is effective for the time periods and subject to the conditions stated below. For warranty service, find the nearest Authorized Service Dealer in our dealer locator map at [www.briggspowerproducts.com](http://www.briggspowerproducts.com).

THERE IS NO OTHER EXPRESS WARRANTY. IMPLIED WARRANTIES, INCLUDING THOSE OF MERCHANTABILITY AND FITNESS FOR A PARTICULAR PURPOSE, ARE LIMITED TO ONE YEAR FROM PURCHASE, OR TO THE EXTENT PERMITTED BY LAW ANY AND ALL IMPLIED WARRANTIES ARE EXCLUDED. LIABILITY FOR INCIDENTAL OR CONSEQUENTIAL DAMAGES ARE EXCLUDED TO THE EXTENT EXCLUSION IS PERMITTED BY LAW. Some states or countries do not allow limitations on how long an implied warranty lasts, and some states or countries do not allow the exclusion or limitation of incidental or consequential damages, so the above limitation and exclusion may not apply to you. This warranty gives you specific legal rights and you may also have other rights which vary from state to state or country to country.

### WARRANTY PERIOD

<b>Consumer Use</b>	<b>2 years</b>
<b>Commercial Use</b>	<b>90 days</b>

The warranty period begins on the date of purchase by the first retail consumer or commercial end user, and continues for the period of time stated above. "Consumer use" means personal residential household use by a retail consumer. "Commercial use" means all other uses, including use for commercial, income producing or rental purposes. Once equipment has experienced commercial use, it shall thereafter be considered as commercial use for purposes of this warranty.

NO WARRANTY REGISTRATION IS NECESSARY TO OBTAIN WARRANTY ON BRIGGS & STRATTON PRODUCTS. SAVE YOUR PROOF OF PURCHASE RECEIPT. IF YOU DO NOT PROVIDE PROOF OF THE INITIAL PURCHASE DATE AT THE TIME WARRANTY SERVICE IS REQUESTED, THE MANUFACTURING DATE OF THE PRODUCT WILL BE USED TO DETERMINE THE WARRANTY PERIOD.

### ABOUT YOUR WARRANTY

We welcome warranty repair and apologize to you for being inconvenienced. Any Authorized Service Dealer may perform warranty repairs. Most warranty repairs are handled routinely, but sometimes requests for warranty service may not be appropriate. For example, warranty service would not apply if equipment damage occurred because of misuse, lack of routine maintenance, shipping, handling, warehousing or improper installation. Similarly, the warranty is void if the manufacturing date or the serial number on the air compressor has been removed or the equipment has been altered or modified. During the warranty period, the Authorized Service Dealer, at its option, will repair or replace any part that, upon examination, is found to be defective under normal use and service. This warranty will not cover the following repairs and equipment:

- **Normal Wear:** Outdoor Power Equipment, like all mechanical devices, needs periodic parts and service to perform well. This warranty does not cover repair when normal use has exhausted the life of a part or the equipment.
- **Installation and Maintenance:** This warranty does not apply to equipment or parts that have been subjected to improper or unauthorized installation or alteration and modification, misuse, negligence, accident, overloading, overspeeding, improper maintenance, repair or storage so as, in our judgment, to adversely affect its performance and reliability. This warranty also does not cover normal maintenance such as air filters, adjustments, and so forth.
- **Other Exclusions:** This warranty excludes wear items such as seals and o-rings, etc. This warranty also excludes air compressors that have been run without oil or subjected to freezing with water in the tank(s). This air compressor is warranted for non-continuous use and should not be subjected to continuous operation. Accessory parts, such as hoses or air tools not supplied with the compressor are excluded from the product warranty. This warranty excludes failures due to acts of God and other force majeure events beyond the manufacturers control.

**BRIGGS & STRATTON POWER PRODUCTS GROUP, LLC  
JEFFERSON, WI, USA**

## CONSERVEZ CES DIRECTIVES

### TABLE DES MATIÈRES

Règles de sécurité .....	28-31
Assemblage .....	32-33
Fonctions et commandes .....	34
Fonctionnement .....	35-38
Spécifications .....	39
Entretien .....	40-46
Entreposage .....	46-47
Dépannage .....	48-49
Glossaire .....	50
Renseignements sur les émissions .....	51
Garantie du dispositif antipollution .....	52
Garantie .....	53
Anglais .....	2-27
Espagnol .....	54-80

### DESCRIPTION DE L'ÉQUIPEMENT

Ce manuel renferme des renseignements sur le fonctionnement et la maintenance d'un compresseur d'air à un étage qui produit 11,0 pi<sup>3</sup>/min à 40 lb/po<sup>2</sup> (2,8 bars) et 9,0 pi<sup>3</sup>/min à 90 lb/po<sup>2</sup> (6,2 bars) en utilisant un moteur à combustion interne de 6,5 HP. Ce système de haute qualité est doté d'une pompe à entraînement par courroie lubrifiée à l'huile avec un manchon de fonte, une soupape de démarrage facile et deux sorties d'air.

Tout a été fait pour s'assurer que les renseignements contenus dans ce manuel soient exacts et à jour. Toutefois, nous nous réservons le droit de changer, de modifier ou d'améliorer le produit et ce document en tout temps, et ce, sans préavis.

Le dispositif antipollution de ce compresseur d'air répond aux normes établies par la Environmental Protection Agency et le California Air Resources Board.

### Énoncé d'utilisation

Ce compresseur d'air a été fabriqué pour fournir un volume adéquat d'air compressé pour assurer le fonctionnement d'une variété de petits outils pneumatiques (rectifieurs à main, marteaux cloueur, clés à rochet ou marteaux agrafeur) des dispositifs de pulvérisation et de soufflerie requérant moins de 9,0 pi<sup>3</sup>/min de débit d'air pour fonctionner. Faites fonctionner ce compresseur uniquement à une plage de température ambiante de 32° à 95°F (0° à + 35°C). Faites fonctionner ce compresseur uniquement sur une surface de niveau afin d'éviter tout problème de lubrification. Ce compresseur est conçu pour fonctionner à un maximum de 70 % de charge par heure à pleine capacité.

Ce compresseur d'air n'est pas conçu pour être utilisé dans de l'équipement mobile ou les applications marines.

### RÈGLES DE SÉCURITÉ



**Voici le symbole utilisé pour les avertissements de sécurité. Il est utilisé pour vous avertir des dangers possibles de blessure. Respectez tous les messages de sécurité qui suivent ce symbole pour éviter des blessures ou des décès.**

Le symbole d'avertissement de sécurité (▲) est utilisé avec un mot signal (DANGER, AVERTISSEMENT, MISE EN GARDE), une image et/ou un message de sécurité vous avertissant des risques. Le mot DANGER indique un danger qui, s'il n'est pas évité, causera la mort ou des blessures graves. Le mot AVERTISSEMENT indique un risque qui, s'il n'est pas évité, pourrait causer la mort ou des blessures graves. Le terme MISE EN GARDE indique un risque qui, s'il n'est pas évité, pourrait causer des blessures mineures ou modérées. Le terme MISE EN GARDE, utilisé sans pictogramme de sécurité (▲), indique une situation qui pourrait causer des dommages à l'équipement. Suivez les directives des messages de sécurité pour éviter ou réduire les risques de blessures ou de décès.



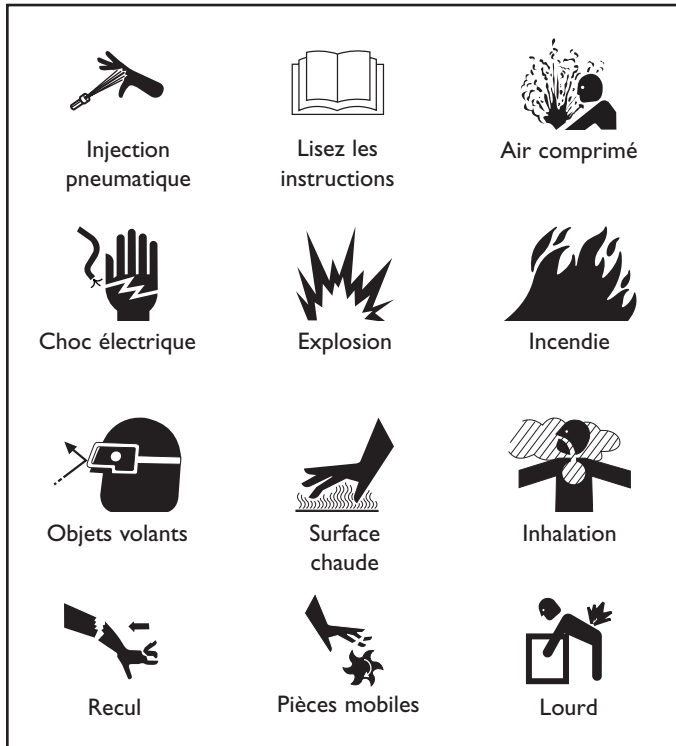
#### AVERTISSEMENT



Les gaz d'échappement de ce produit contiennent des produits chimiques reconnus par l'État de la Californie comme causant des cancers et des malformations congénitales ou d'autres problèmes de reproduction.

- Faites fonctionner ce compresseur d'air **UNIQUEMENT** à l'extérieur.
- Assurez-vous que les gaz d'échappement ne puissent entrer dans un espace restreint par une fenêtre, une porte, une prise d'aération ou une autre ouverture.
- **NE** faites **PAS** fonctionner le compresseur d'air à l'intérieur d'un bâtiment, dans un espace restreint ou d'un lieu clos, dans des garages ou d'autres emplacements similaires, même si les fenêtres et les portes sont ouvertes.

## Symboles de risque et leur signification



### **AVERTISSEMENT**



Les moteurs en marche produisent de la chaleur. La température du silencieux et des surfaces environnantes peut atteindre et dépasser 65°C (150°F). Un contact avec ces surfaces peut causer des brûlures graves.



La chaleur et les gaz d'échappement peuvent enflammer des matériaux combustibles et les structures ainsi que causer des dommages au réservoir d'essence et entraîner un incendie.

- NE touchez PAS aux pièces chaudes et évitez le contact avec les gaz d'échappement.
- Laissez refroidir l'équipement avant d'y toucher.
- Laissez un dégagement d'au moins 152,40 cm (5 pi) tout autour du compresseur d'air, y compris au-dessus.
- Le Code of Federal Regulation (CFR) Title 36 Parks, Forests, and Public Property exige que de l'équipement alimenté par un moteur à combustion interne soit doté d'un pare-étincelles et constamment maintenu en bon état de fonctionnement, conformément à la norme de service 5100-IC de la USDA Forest ou à une révision de celle-ci. Dans l'État de la Californie, un pare-étincelles est requis en vertu de la section 4442 du California Public Resources Code. Il se peut que d'autres États aient des lois semblables.

### **AVERTISSEMENT**



L'omission de lire et de suivre les directives de ce manuel pourrait entraîner la mort, des blessures corporelles et / ou des dommages matériels.

- Avant d'utiliser ce produit, veuillez lire le manuel de l'utilisateur et suivre toutes les directives relatives à la sécurité et à l'utilisation énumérées.
- Laissez ce manuel à la disposition des autres utilisateurs de cet équipement.

### **AVERTISSEMENT**



La corrosion non visible à l'intérieur du réservoir peut causer une violente explosion et entraîner des blessures graves et / ou des dommages à la propriété.

Excéder la pression nominale des outils pneumatiques ou accessoires de gonflement pourrait entraîner des blessures corporelles et / ou des dommages matériels.

L'altération ou l'enlèvement de la soupape de sûreté ASME peut causer une explosion et entraîner des blessures graves ou des dommages à la propriété.

- VIDANGEZ LE RÉSERVOIR à chaque 4 heures d'utilisation ou quotidiennement, en ouvrant le ou les robinets de vidange et en inclinant le compresseur pour évacuer l'eau accumulée.
- NE modifiez PAS ou ne réparez pas le réservoir, d'aucune façon.
- Ne réglez PAS la pression à un niveau supérieur aux valeurs nominales maximum des outils pneumatiques ou des accessoires de gonflement.
- NE modifiez PAS ou n'enlevez pas la soupape de sûreté ASME. Vérifiez la soupape de sûreté ASME en tirant sur l'anneau avant chaque utilisation. La soupape de sûreté ASME a été réglée à une valeur nominale maximum de protection.

### **AVERTISSEMENT**



La vaporisation de liquides inflammables ou de combustibles peut causer un incendie ou une explosion.



Le compresseur produit des étincelles lors de son fonctionnement qui peuvent enflammer des vapeurs inflammables ou de combustibles.

- NE pulvérisez PAS de liquides inflammables ou de combustibles alors que vous fumez, près d'étincelles, de flammes nues, de veilleuses, de toutes sources d'allumage ou dans des espaces restreints.
- Pulvérisez dans un espace ouvert et bien ventilé à au moins 20 pieds (6,1 m) du compresseur ou d'autres sources d'allumage.

## RÈGLES DE SÉCURITÉ

### AVERTISSEMENT



Le jet d'air comprimé du boyau ou du robinet de vidange peut causer des lésions aux tissus de la peau exposée et peut projeter des objets entraînant des blessures graves et / ou des dommages à la propriété.

- NE dirigez PAS le jet d'air vers vous-même ou quelqu'un d'autres.
- NE tentez PAS de réparer un boyau d'air.
- Portez toujours des lunettes de sécurité avec protection latérale approuvées ANSI Z87.1.

### AVERTISSEMENT



Le démarreur et d'autres pièces rotatives peuvent happer des mains, des cheveux, des vêtements ou des accessoires.

- N' utilisez PAS le compresseur sans les couvercles protecteurs ou si les gardes sont manquants ou endommagés.
- Ne placez JAMAIS vos mains ou des parties de votre corps à l'intérieur de l'unité ou des boyaux lorsqu'elle fonctionne.
- NE portez PAS de vêtements amples, de bijoux ou autres accessoires qui pourraient se prendre dans des pièces rotatives.
- Attachez les cheveux longs et enlevez vos bijoux.

### AVERTISSEMENT



Le fonctionnement du compresseur d'air dégage du monoxyde de carbone, un gaz inodore, incolore et mortel. L'inhalation du monoxyde de carbone peut causer des nausées, l'évanouissement ou la mort.

- Faites fonctionner ce compresseur d'air UNIQUEMENT à l'extérieur.
- Assurez-vous que les gaz d'échappement ne puissent entrer dans un espace restreint par une fenêtre, une porte, une prise d'aération ou une autre ouverture.
- NE faites PAS fonctionner le compresseur d'air à l'intérieur d'un bâtiment, dans un espace restreint ou d'un lieu clos, dans des garages ou d'autres emplacements similaires, même si les fenêtres et les portes sont ouvertes.

### AVERTISSEMENT



L'inhalation de l'air comprimé n'est pas sécuritaire et peut causer de graves blessures.

Certains produits de peinture ou solvants peuvent être nocifs en cas d'ingestion ou d'inhalation et peuvent provoquer des nausées, un évanouissement ou un empoisonnement.

- N'utilisez PAS l'air comprimé pour l'inhalation.
- Portez toujours un respirateur homologué par la NIOSH et conçu pour votre application.
- Lisez toujours les directives d'utilisation du respirateur de façon à vous assurer qu'il fournit la protection nécessaire contre l'inhalation de vapeurs nocives.

### AVERTISSEMENT



Les pièces chaudes et les gaz d'échappement peuvent dépasser 65,5°C (150° F) et peuvent entraîner des brûlures.

- NE touchez PAS aux pièces chaudes et ÉVITEZ le contact avec les gaz d'échappement.
- Laissez refroidir le compresseur avant d'effectuer l'entretien.

### AVERTISSEMENT



Une rétroaction rapide de la corde du démarreur (effet de recul) tirera votre main et votre bras vers le moteur plus rapidement que vous ne pouvez relâcher la corde.

Vous risquez ainsi de subir des fractures, des ecchymoses ou des entorses.

- NE tirez JAMAIS sur la corde du démarreur sans avoir d'abord ouvert la soupape de démarrage pour libérer la pression.
- Lors du démarrage du moteur, tirez lentement sur la corde jusqu'à ce que vous sentiez une résistance et tirez alors rapidement afin d'éviter un effet de recul.

## AVERTISSEMENT



Une étincelle involontaire peut causer un incendie ou un choc électrique.



### LORS DU RÉGLAGE OU DES RÉPARATIONS DE VOTRE COMPRESSEUR D'AIR

- Débranchez le câble de bougie de la bougie et placez-le à un endroit où il ne peut entrer en contact avec la bougie.

### LORS DE TESTS D'ALLUMAGE DU MOTEUR

- Utilisez un vérificateur de bougies d'allumage approuvé.
- NE vérifiez PAS l'allumage lorsque la bougie d'allumage est enlevée.

## MISE EN GARDE

Des vitesses de fonctionnement excessivement élevées peuvent causer des blessures ou endommager le compresseur d'air.

Des vitesses excessivement lentes produisent une charge importante.

- NE modifiez PAS la vitesse réglée du moteur.
- NE modifiez PAS le compresseur d'air, d'aucune façon.
- NE laissez PAS les personnes non qualifiées ou les enfants opérer ou entretenir le compresseur d'air.

## MISE EN GARDE

Évitez les contacts prolongés ou répétés entre la peau et la vieille huile à moteur.

- La vieille huile à moteur a causé un cancer de la peau chez certains animaux de laboratoire.
- Lavez bien les parties exposées avec du savon et de l'eau.

## MISE EN GARDE

Le compresseur d'air peut subir d'importants dommages, si l'unité fonctionne alors que le niveau d'huile est insuffisant. Vérifiez le niveau d'huile quotidiennement ou à chaque utilisation.

- La garantie sera annulée si des dommages à l'équipement sont entraînés par le non-respect de cette directive.

## MISE EN GARDE

Le compresseur d'air peut subir d'importants dommages, si les procédures de rodage ne sont pas suivies à la lettre.

- Cette procédure doit être exécutée avant d'utiliser le compresseur d'air pour la première fois et après le remplacement de la soupape de retenue ou de la pompe complète du compresseur.

## AVERTISSEMENT



L'essence et ses vapeurs sont extrêmement inflammables et explosives.



Un incendie ou une explosion peut causer des brûlures graves ou la mort.

### LORS DE L'AJOUT OU DE LA VIDANGE DU CARBURANT

- **Éteignez** le compresseur d'air et laissez-le refroidir pendant au moins 2 minutes avant de retirer le bouchon à essence. Dévissez lentement le bouchon pour libérer la pression dans le réservoir.
- Remplissez ou vidangez le réservoir d'essence à l'extérieur.
- NE remplissez PAS trop le réservoir. Laissez de l'espace pour l'expansion de l'essence.
- Gardez l'essence loin des étincelles, des flammes nues, des veilleuses, de la chaleur et des autres sources d'allumage.
- N'allumez PAS de cigarette ou NE fumez PAS.

### LORS DU DÉMARRAGE DE L'ÉQUIPEMENT

- Assurez-vous que la bougie d'allumage, le silencieux, le bouchon à essence et le filtre à air sont en place.
- NE DÉMARREZ PAS le moteur lorsque la bougie d'allumage est enlevée.
- Si du carburant est renversé, attendez qu'il s'évapore avant de démarrer le moteur.

### LORS DU FONCTIONNEMENT DE L'ÉQUIPEMENT

- NE pulvérisez PAS des liquides inflammables comme de l'essence ou du mazout.
- Ce compresseur d'air n'est pas conçu pour être utilisé dans de l'équipement mobile ou les applications marines.
- NE penchez PAS le moteur ou l'équipement à un angle où l'essence peut se déverser.
- Fixez le compresseur d'air dans une position stable, tout spécialement lors du transport.
- N'arrêtez PAS le moteur en plaçant le levier d'étrangleur à la position **CHOKE**.

### LORS DU TRANSPORT OU DE LA RÉPARATION DE L'ÉQUIPEMENT

- Le réservoir d'essence doit être **VIDE** ou le robinet d'arrêt d'essence doit être à la position fermée **OFF** pendant le transport ou la réparation.
- Débranchez le câble de la bougie d'allumage.

### LORS DE L'ENTREPOSAGE DE L'ESSENCE OU DE L'ÉQUIPEMENT AVEC DE L'ESSENCE DANS LE RÉSERVOIR

- Entrez l'essence loin des fournaies, poêle, chauffe-eau, sècheuses ou autres électroménagers munis d'une veilleuse ou d'une source d'allumage, car ils pourraient allumer les vapeurs d'essence.

## ASSEMBLAGE

### Contenu de la boîte

- Compresseur d'air
- Manuel d'utilisation
- Couvercle de l'orifice de remplissage d'huile pour pompe

Si une pièce est manquante, veuillez joindre le service de dépannage du compresseur d'air au numéro sans frais **1-800-743-4115**.

### Votre compresseur d'air est prêt pour l'utilisation après:

le niveau d'huile de la pompe et du moteur est vérifié

le bouchon reniflard de la pompe à l'huile est installé

avoir complété la procédure de rodage

Le pneu est adéquatement gonflé à 36 lb/po2 (2.5 bars).

### Déballage

1. Coupez les deux courroies de la boîte de carton et jetez.
2. Retirez la boîte de carton de l'unité.
3. Coupez les deux courroies du compresseur et jetez.
4. Roulez le compresseur hors de la palette d'expédition.

### Accessoires également recommandés:

- Lunettes de sécurité (lunettes de sécurité avec protection latérale approuvées ANSI Z87.1)
- Boyau d'air – 25 pieds (7,5 m) 3/8 po de diamètre
- Raccords à connexion rapide – Utiliser les raccords à connexion rapide de type I/M qui se raccordent à un filetage NPT de 1/4 po.
- Protecteurs des oreilles (ANSI S3.19-1974) dans les environnements bruyants
- Respirateur (approuvés NIOSH) dans les environnements poussiéreux




### Vérifiez le niveau d'huile du moteur et de la pompe

**MISE EN GARDE!** Toute tentative de démarrer le compresseur sans qu'il ait été rempli avec l'huile recommandée risque d'entraîner une défaillance de moteur et/ou de la pompe.

1. Placez le compresseur sur une surface plane et de niveau.
2. Consultez la section "VÉRIFIER LE NIVEAU D'HUILE DU MOTEUR" à la page 42 pour la vérification du niveau d'huile.
3. Consultez la section "VÉRIFIER LE NIVEAU D'HUILE DE LA POMPE" à la page 43 pour la vérification du niveau d'huile de la pompe.

### Ajout de l'essence

**REMARQUE:** Le fonctionnement avec de l'essence est certifié avec ce moteur. Dispositif antipollution de l'échappement: EM (Modifications de moteur).

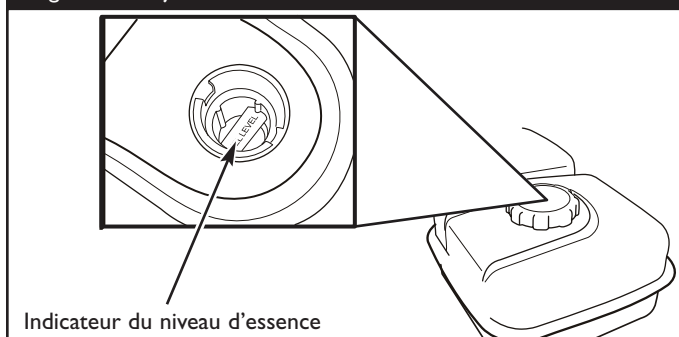
 <b>AVERTISSEMENT</b>	
	L'essence et ses vapeurs sont extrêmement inflammables et explosives.
	Un incendie ou une explosion peut causer des brûlures graves ou la mort.
<b>LORS DE L'AJOUT D'ESSENCE</b>	
<ul style="list-style-type: none"><li>• Éteignez le compresseur d'air et laissez-le refroidir pendant au moins 2 minutes avant de retirer le bouchon à essence. Dévissez lentement le bouchon pour libérer la pression dans le réservoir.</li><li>• Faites le plein du réservoir à l'extérieur.</li><li>• NE remplissez PAS trop le réservoir. Laissez de l'espace pour l'expansion de l'essence.</li><li>• Gardez l'essence loin des étincelles, des flammes nues, des veilleuses, de la chaleur et des autres sources d'allumage.</li><li>• N'allumez PAS de cigarette ou NE fumez PAS.</li></ul>	

1. Utilisez de l'essence SANS PLOMB ordinaire propre et fraîche avec un indice d'octane d'au moins 85 . N'utilisez PAS de carburant qui contient du Méthanol. NE mélangez PAS avec de l'huile avec l'essence.
2. Nettoyez la partie autour du bouchon du réservoir d'essence, enlevez le bouchon à essence.



3. Ajoutez lentement de l'essence dans le réservoir d'essence. Remplissez jusqu'à la marque de niveau de carburant (Voir la Figure 23). Faites attention pour ne pas trop remplir le réservoir.

Figure 23 – Ajout d'essence



4. Remettez le bouchon à essence et attendez que l'essence déversée s'évapore.

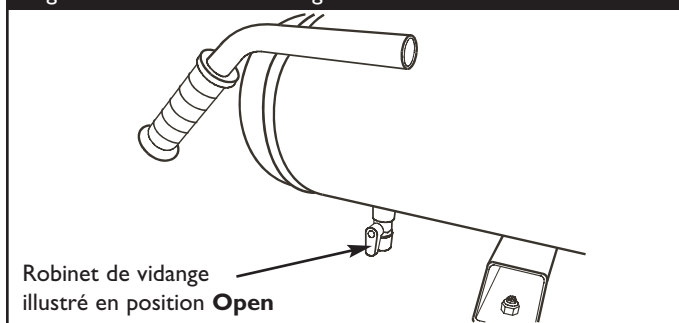
**MISE EN GARDE!** Certains carburants, appelés carburant oxygéné ou à formule modifiée, sont des carburants mélangés avec de l'alcool ou de l'éther. Une trop grande quantité de ces mélanges peut endommager le système d'alimentation ou causer des problèmes de performance. Si des indices de fonctionnement indésirables se produisent, utilisez un carburant avec un pourcentage moins élevé d'alcool ou d'éther.

Un carburant frais prévient la formation de dépôts de gomme dans le système d'alimentation ou sur les pièces essentielles du carburateur. Achetez une quantité d'essence qui peut être utilisée dans les 30 jours.

## Installez le bouchon reniflard de la pompe à l'huile

1. Assurez-vous que le compresseur repose sur une surface plane et de niveau.
2. Ouvrez les deux robinets de vidange (dévissez complètement dans le sens contraire des aiguilles d'une montre) pour libérer une accumulation résiduelle de pression dans les réservoirs d'air (voir Figure 24).

Figure 24 – Robinet de vidange



## MISE EN GARDE

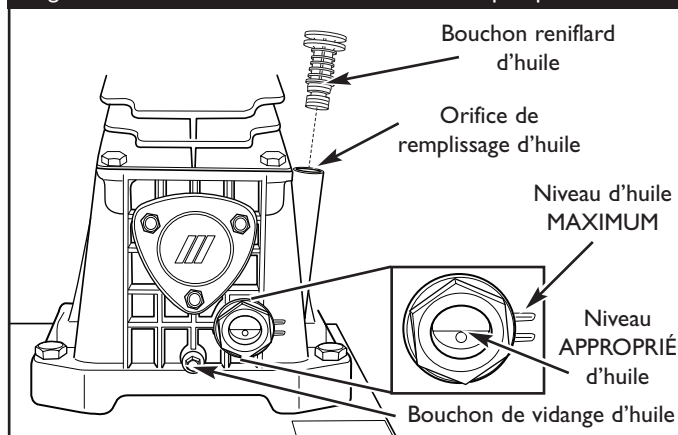


L'accumulation résiduelle d'air comprimé dans la pompe peut projeter de l'huile et causer des lésions aux tissus de la peau exposée et aux yeux, et entraîner ainsi des blessures graves.

- Portez toujours des lunettes de sécurité avec protection latérale approuvées ANSI Z87.1.

3. Enlevez et jetez le bouchon d'expédition.
4. Installez le bouchon reniflard de la pompe à l'huile dans l'orifice de remplissage (voir Figure 25).

Figure 25 – Installez le bouchon reniflard de la pompe à l'huile



## MISE EN GARDE

Le compresseur d'air peut subir d'importants dommages, si l'unité fonctionne alors que le niveau d'huile est insuffisant. Vérifiez le niveau d'huile quotidiennement ou à chaque utilisation.

- La garantie sera annulée si des dommages à l'équipement sont entraînés par le non-respect de cette directive.

5. Essuyez tout déversement d'huile.
6. Fermez les robinets de vidange (en tournant complètement dans le sens des aiguilles d'une montre)(voir Figure 24 plus haut).

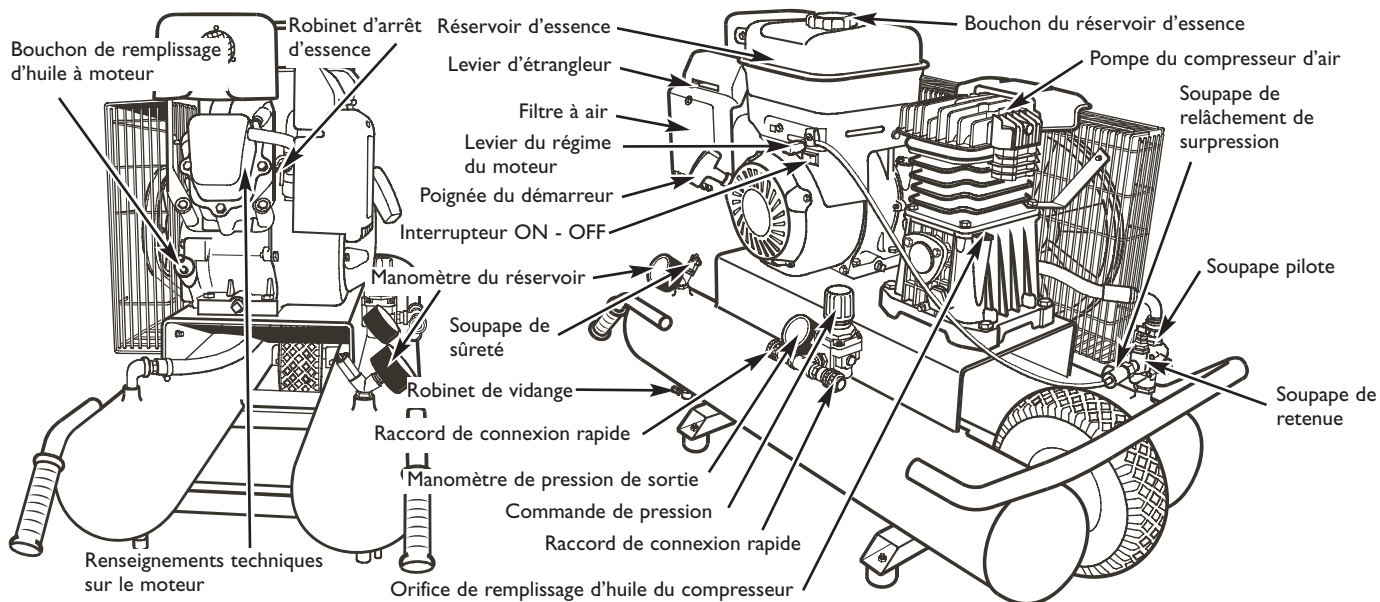
## FONCTIONS ET COMMANDES

### FONCTIONS ET COMMANDES



Lisez ce manuel d'utilisation et les règles de sécurité avant d'utiliser votre compresseur.

Comparez ces illustrations à votre compresseur d'air pour vous familiariser avec l'emplacement des diverses commandes et réglages. Conservez ce manuel pour référence future.



**Filtre à air:** Protège le moteur en filtrant la poussière et les débris dans la prise d'air.

**Pompe du compresseur d'air:** La pompe comprime l'air dans le réservoir.

**Soupape de retenue:** Lorsque l'unité est en opération, la soupape de retenue est "ouverte", permettant à l'air d'entrer dans le réservoir. Lorsque la pression de déclenchement est atteinte, la soupape de retenue se ferme, pour empêcher le retour d'air dans la pompe. La soupape de retenue ne peut pas être modifiée ou réparée par l'utilisateur.

**Levier d'étrangleur:** Utilisé lors du démarrage à froid d'un moteur.

**Étiquette de données:** (non illustrée) L'étiquette de données contient le numéro de série, le numéro de modèle ainsi que les renseignements du numéro de révision.

**Robinet de vidange:** Les robinets sont situés à la base de chacun des réservoirs d'air à l'extrémité de la poignée et sont utilisés pour vidanger la condensation.

**Renseignements techniques sur le moteur:** Estampillé sur le côté du couvercle de soupape. Fournit le numéro du modèle, le type et la compensation du moteur. Veuillez avoir ces renseignements sous la main lors d'appel de service.

**Levier du régime du moteur:** Utilisé pour régler le régime du moteur afin de contrôler le débit de la pompe.

**Robinet d'arrêt d'essence:** Utilisé pour alimenter le moteur en essence ou pour couper l'alimentation en essence du moteur.

**Réservoir d'essence:** Capacité de un (1) gallon américain (3,8 l).

**Bouchon du réservoir d'essence:** Vérifiez et remplissez ici le réservoir d'essence.

**Bouchon de remplissage d'huile à moteur:** Remplissez ici huile dans le moteur.

**Orifice de remplissage d'huile du compresseur:** Remplissez ici l'huile dans la pompe. L'indicateur de niveau d'huile de la pompe indique le niveau d'huile de la pompe.

**Interrupteur On/Off:** Réglez cet interrupteur sur **ON** avant d'utiliser la poignée du démarreur. Réglez l'interrupteur sur **OFF** pour arrêter le moteur.

**Manomètre de pression de sortie:** Indique la pression d'air disponible aux raccords de connexion rapide.

**Commande de pression:** Le régulateur contrôle la pression d'air transmis aux raccords de connexion rapide; il peut être verrouillé à l'aide d'un anneau de verrouillage.

**Soupape de relâchement de surpression:** Située dans la partie adjacente de la soupape de retenue, cette soupape libère automatiquement l'air du compresseur à la "pression de déclenchement" ou lorsque l'unité est fermée. Cette soupape ne peut être ni réglée, ni modifiée ou réparée par l'utilisateur.

**Soupape pilote:** Accroît automatiquement le régime du moteur lorsque la pression dans le réservoir d'air chute à une valeur inférieure à la "pression d'enclenchement" et fait tourner le moteur au ralenti lorsque la pression atteint la "pression de déclenchement". Cette soupape ne peut être ni réglée, ni modifiée ou réparée par l'utilisateur.

**Raccords de connexion rapide:** Connectez ici les boyaux d'air.

**Soupape de sûreté:** La soupape protège contre toute surpression en "sautant" à la valeur de pression établie à l'usine et libère la pression.

**Poignée du démarreur:** Utilisée pour le démarrage du moteur.

**Manomètre du réservoir:** Indique la pression d'air en réserve dans les réservoirs.

**REMARQUE:** Voir GLOSSAIRE à la page 50 pour obtenir les définitions.

## FONCTIONNEMENT

### Emplacement du compresseur d'air lors de l'utilisation

Placez le compresseur d'air dans un endroit bien ventilé qui permet l'élimination des gaz d'échappement mortels. N'INSTALLEZ PAS le compresseur d'air dans un endroit où les gaz d'échappement pourraient s'accumuler et pénétrer ou être aspirés dans un édifice qui pourrait être occupé. Assurez-vous que les gaz d'échappement ne puissent entrer par une fenêtre, une porte, une prise d'aération ou une autre ouverture qui pourrait leur permettre de s'accumuler dans un espace restreint (Figure 26). Tenez aussi compte des vents dominants et des courants d'air au moment de choisir l'endroit où vous installerez la génératrice.

La pompe du compresseur d'air est conçue pour permettre un refroidissement approprié. Les ouvertures d'aération du compresseur sont nécessaires pour maintenir la température de fonctionnement appropriée. NE placez PAS de chiffons ou de contenants sur ou à proximité de ces ouvertures. Le filtre à air doit être libre d'obstructions pouvant réduire le débit d'air au compresseur d'air.

#### AVERTISSEMENT



L'essence et ses vapeurs sont extrêmement inflammables et explosives.



Un incendie ou une explosion peut causer des brûlures graves ou la mort.

#### LORS DU FONCTIONNEMENT DE L'ÉQUIPEMENT

- Ce compresseur d'air n'est pas conçu pour être utilisé dans de l'équipement mobile ou les applications marines.
- NE PENCHEZ PAS le moteur ou l'équipement à un angle où l'essence peut se déverser.
- Fixez le compresseur d'air dans une position stable et de niveau.

#### AVERTISSEMENT



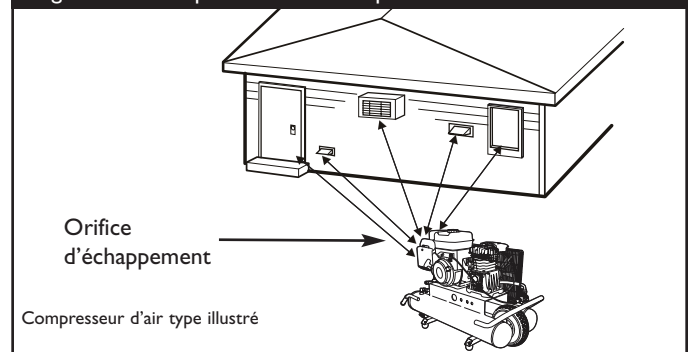
Le fonctionnement du compresseur d'air dégage du monoxyde de carbone, un gaz inodore, incolore et mortel. L'inhalation du monoxyde de carbone peut causer des nausées, l'évanouissement ou la mort.

- Faites fonctionner ce compresseur d'air UNIQUEMENT à l'extérieur.
- Assurez-vous que les gaz d'échappement ne puissent entrer dans un espace restreint par une fenêtre, une porte, une prise d'aération ou une autre ouverture.
- NE faites PAS fonctionner le compresseur d'air à l'intérieur d'un bâtiment, dans un espace restreint ou d'un lieu clos, dans des garages ou d'autres emplacements similaires, même si les fenêtres et les portes sont ouvertes.

N'INSTALLEZ PAS le compresseur d'air dans un endroit où les gaz d'échappement pourraient s'accumuler et pénétrer ou être aspirés dans un édifice qui pourrait être occupé. Assurez-vous que les gaz d'échappement ne puissent entrer par une fenêtre, une porte, une

prise d'aération ou une autre ouverture qui pourrait leur permettre de s'accumuler dans un espace restreint. Tenez compte des vents dominants et courants d'air lorsque vous positionnez le compresseur d'air (voir Figure 26).

Figure 26 — Emplacement du compresseur d'air



Si vous éprouvez des problèmes avec l'utilisation de votre compresseur d'air, veuillez appeler le service de dépannage du compresseur d'air au **1-800-743-4115**. Si vous téléphonez pour obtenir de l'aide, veuillez avoir disponibles les renseignements de l'étiquette de données: numéro de modèle, de révision et de série (voir Page 48).

### Procédure de rodage

Avant la première utilisation de cet équipement, le système doit se soumettre à une procédure de rodage, tel que décrite dans cette section.

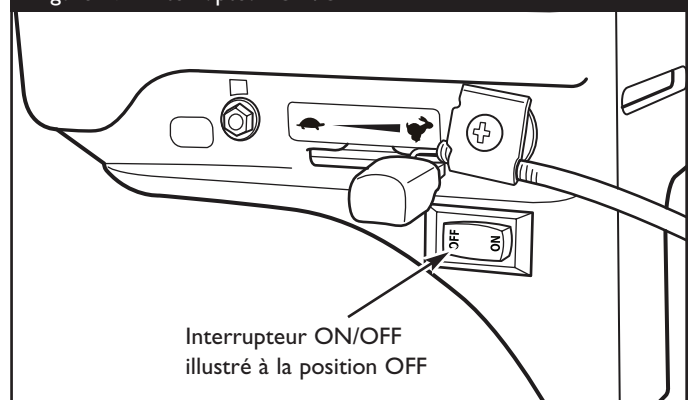
#### MISE EN GARDE

Le compresseur d'air peut subir d'importants dommages, si les procédures de rodage décrites ne sont pas suivies à la lettre.

- Cette procédure doit être exécutée avant d'utiliser le compresseur d'air pour la première fois et après le remplacement de la soupape de retenue ou de la pompe complète du compresseur d'air.

1. Assurez-vous que l'interrupteur **ON/OFF** du moteur est à la position **OFF** (voir Figure 27).

Figure 27 - Interrupteur ON/OFF

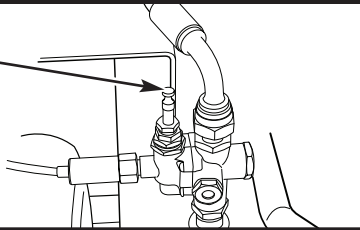


## FONCTIONNEMENT

- Ouvrez la soupape de démarrage (tournez en position complètement verticale) pour empêcher une accumulation de pression dans les réservoirs d'air lors de la période de rodage (voir Figure 28).

Figure 28 - Soupape de démarrage

Soupape de démarrage illustrée en position **OPEN**



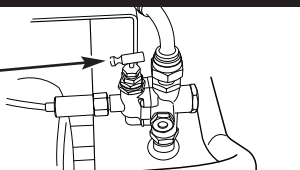
- Tournez l'interrupteur **ON/OFF** du moteur à la position **ON**.
- Démarré le compresseur d'air tel que décrit dans **DÉMARRAGE DE VOTRE COMPRESSEUR**.

**REMARQUE:** Si vous entendez une fuite d'air, tirez les connecteurs rapides vers l'arrière jusqu'à ce qu'ils se déclenchent pour réamorcer le raccord à manchon.

- Faites fonctionner le compresseur pendant 15 minutes. Assurez-vous que le robinet de vidange demeure ouvert.
- Lorsque le compresseur d'air a fonctionné pendant 15 minutes, fermez la soupape de démarrage (tournez en position complètement horizontale) (voir Figure 29) ainsi que les deux robinets de vidange. Les réservoirs d'air s'emplieront jusqu'à la "pression de déclenchement" et le régime du moteur diminuera jusqu'à la vitesse ralentie.

Figure 29 - Soupape de démarrage

Soupape de démarrage illustrée en position **CLOSED**



- Tournez l'interrupteur **ON/OFF** du moteur à la position **OFF**.

**REMARQUE:** Vérifiez les niveaux d'huile dans le compresseur et dans le moteur après la procédure de rodage.

La procédure de rodage du compresseur est terminée et il est prêt pour une utilisation normale.

### Démarrage de votre compresseur d'air

Suivez les directives de démarrage suivantes:

- Avant d'utiliser l'appareil, assurez-vous qu'il se trouve sur une surface plane de niveau, afin d'éviter tout problème de lubrification.
- Placez le levier du robinet d'arrêt d'essence à la position **ON** (voir Figure 30).

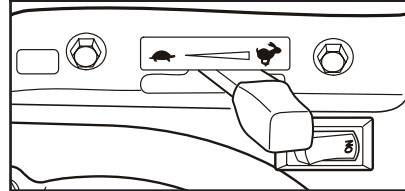
Figure 30 — Robinet d'arrêt d'essence

Le robinet d'arrêt d'essence est illustré en position **ON**



- Ouvrez la soupape de démarrage (tournez en position complètement verticale) (voir Figure 28).
- Tournez l'interrupteur **ON/OFF** du moteur à la position **ON** (voir Figure 31).

Figure 31 — **INTERRUPTEUR ON/OFF** et levier du régime du moteur

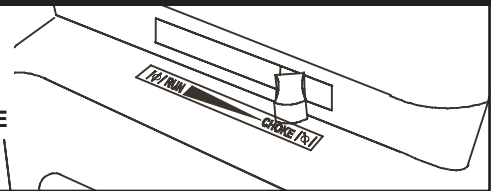


Le levier est illustré en position **FAST**  
L'interrupteur est illustré en position **ON**

- Placez le levier du régime du moteur à la position **FAST** (↻) (voir Figure 31).
- Placez le levier de l'étrangleur à la position **CHOKE** (|X|) (voir Figure 32).

Figure 32 — Levier d'étrangleur

Le levier d'étrangleur est illustré à la position **CHOKE**



- Prenez la poignée du démarreur et tirez-la jusqu'à ce que vous sentiez une légère résistance. Tirez alors rapidement sur la poignée pour dépasser la résistance de la compression, empêcher les effets de recul et démarrer le moteur.

### **AVERTISSEMENT**




Une rétroaction rapide de la corde du démarreur (effet de recul) tirera votre main et votre bras vers le moteur plus rapidement que vous ne pouvez relâcher la corde. Vous risquez ainsi de subir des fractures, des ecchymoses ou des entorses.

- NE tirez JAMAIS sur la corde du démarreur sans avoir d'abord ouvert la soupape de démarrage pour libérer la pression.
- Lors du démarrage du moteur, tirez lentement sur la corde jusqu'à ce que vous sentiez une résistance et tirez alors rapidement afin d'éviter un effet de recul.


**IMPORTANT:** Si une trop grande quantité d'essence est présente dans le mélange air/essence, ce qui "noie" le moteur, placez le levier de l'étrangleur à la position **RUN** (|+|) et tirez à répétition la poignée jusqu'à ce que le moteur démarre.

8. Déplacez le levier d'étrangleur en position **RUN** (|↑|) un peu à la fois durant quelques secondes quand il fait chaud ou durant quelques minutes quand il fait froid. Laissez le moteur tourner en douceur avant chaque changement. Faites fonctionner le moteur avec l'étrangleur en position **RUN**.

**⚠ AVERTISSEMENT**



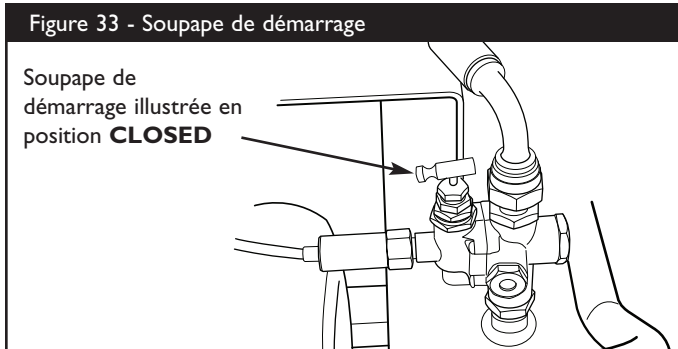
Les moteurs en marche produisent de la chaleur. La température du silencieux et des surfaces environnantes peut atteindre et dépasser 65°C (150°F). Un contact avec ces surfaces peut causer des brûlures graves.



La chaleur et les gaz d'échappement peuvent enflammer des matériaux combustibles et les structures ainsi que causer des dommages au réservoir d'essence et entraîner un incendie.

- NE touchez PAS aux pièces chaudes et évitez le contact avec les gaz d'échappement.
- Laissez refroidir l'équipement avant d'y toucher.
- Laissez un dégagement d'au moins 152,40 cm (5 pi) tout autour du compresseur d'air, y compris au-dessus.
- Le Code of Federal Regulation (CFR) Title 36 Parks, Forests, and Public Property exige que de l'équipement alimenté par un moteur à combustion interne soit doté d'un pare-étincelles et constamment maintenu en bon état de fonctionnement, conformément à la norme de service 5100-1C de la USDA Forest ou à une révision de celle-ci. Dans l'État de la Californie, un pare-étincelles est requis en vertu de la section 4442 du California Public Resources Code. Il se peut que d'autres États aient des lois semblables.

9. Lorsque le moteur a fonctionné pendant 1 à 2 minutes, fermez la soupape de démarrage (tournez en position complètement horizontale) (voir Figure 33).



**REMARQUE:** Si le moteur ne démarre pas, veuillez-vous référer à DÉPANNAGE à la page 48.

**REMARQUE:** Si vous entendez une fuite d'air, tirez les connecteurs rapides vers l'arrière jusqu'à ce qu'ils déclenchent pour réamorcer le raccord à manchon.

Le compresseur d'air est entièrement automatique et contrôlé par la soupape pilote. Le compresseur fonctionnera jusqu'à ce que la pression des réservoirs d'air atteigne la "pression de déclenchement" puis le régime du moteur diminuera jusqu'à la vitesse ralentie. Le compresseur reviendra à sa pleine vitesse quand la pression dans les réservoirs d'air chutera sous la "pression d'enclenchement". Voir GLOSSAIRE à la page 50 pour obtenir les définitions.

**REMARQUE:** Utilisez toujours le compresseur d'air dans des espaces bien aérés sans vapeurs d'essence ni d'autres combustibles. Si le compresseur est utilisé pour pulvériser des substances chimiques volatiles (comme de la peinture), placez le compresseur à au moins 20 pieds (6,1 mètres) de l'endroit de pulvérisation.

## Arrêt de votre compresseur d'air

1. Tournez l'interrupteur **ON/OFF** du moteur est à la position **OFF** (voir Figure 31).

**⚠ MISE EN GARDE**

Des explosions dans le silencieux, un incendie ou des dommages au moteur peuvent survenir.

- N'arrêtez PAS le moteur en plaçant le levier d'étrangleur à la position **Choke**.

2. Placez le levier du robinet d'arrêt d'essence à la position **OFF** (voir Figure 30 plus haut).
3. Tirez sur la soupape de sûreté pour vidanger la plus grande partie de l'air comprimé du réservoir d'air. Relâchez l'anneau de la soupape.
4. Ouvrez complètement les soupapes de purge pour vidanger entièrement les réservoirs d'air.


**REMARQUE:** Le compresseur génère de la condensation d'eau (condensat) qui s'accumule dans le réservoir d'air. Vidangez le condensat à toutes les 4 heures ou quotidiennement.

5. Fermez les robinets de vidange.

## Transport

Assurez-vous de transporter le compresseur d'une façon sécuritaire et de fixer l'unité dans une position stable. **NE DÉPLACEZ PAS** l'unité alors que le moteur fonctionne.

**⚠ MISE EN GARDE**



L'unité est lourde. Faites attention lors du levage ou du déplacement de l'unité.

Assurez-vous que la surface est adéquate et faites preuve d'attention lorsque vous déplacez le compresseur sur roue afin qu'il ne bascule pas dû à une perte d'équilibre ou que cela occasionne un déversement d'essence.

- Utilisez les poignées pour soulever ou transporter l'unité.
- Transportez toujours l'unité alors que l'interrupteur du moteur est à la position "Off" que la bougie d'allumage est déconnectée et que le robinet d'arrêt d'essence est à la position "OFF".
- Toujours transporter, opérer et entreposer cette unité alors qu'elle se trouve sur une surface de niveau, afin d'éviter tout risque de basculement et tout problème de lubrification.



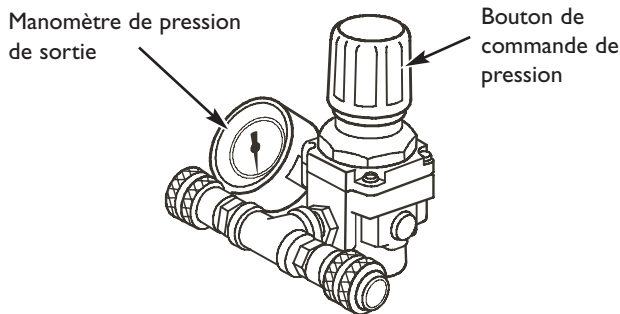
## FONCTIONNEMENT

### Utilisation du compresseur

Vous n'aurez pas à utiliser le maximum de pression de fonctionnement en tout temps étant donné que les outils pneumatiques utilisés requièrent souvent moins de pression. Voici donc des lignes directrices générales pour le réglage de la pression d'air.

1. Alors que le moteur du compresseur fonctionne et que le réservoir d'air est pressurisé, connectez les outils pneumatiques ou accessoires désirés aux raccords de connexion rapide. Utilisez le boyau d'air et les raccords recommandés.
2. Activez l'outil pneumatique, tirez sur le bouton Commande de pression (Pressure Control) puis tournez-le dans le sens des aiguilles d'une montre pour augmenter la pression de sortie (voir Figure 34).

Figure 34 – Commande de pression



### AVERTISSEMENT



Excéder la pression nominale des outils pneumatiques ou accessoires de gonflement pourrait entraîner des blessures corporelles ou des dommages matériels.

- Ne réglez PAS la pression à un niveau supérieur aux valeurs nominales maximum des outils pneumatiques ou des accessoires de gonflement.

3. Observez le MANOMÈTRE DE PRESSION DE SORTIE et réglez la pression selon les recommandations de réglage pour l'outil pneumatique.

**REMARQUE:** Vous devez régler la pression de sortie d'air alors que l'outil est utilisé ou activé.

4. Poussez sur le bouton de commande de pression pour le verrouiller au réglage de pression désirée.
5. Vous pouvez connecter jusqu'à deux boyaux d'air et outils pneumatiques en même temps au compresseur d'air. Chacun recevra la même pression de sortie d'air.

Observez ces consignes de sécurité lors de l'utilisation du compresseur d'air:

### AVERTISSEMENT



Les pièces chaudes et les gaz d'échappement peuvent dépasser 65,5°C (150° F) et peuvent entraîner des brûlures.

- NE touchez PAS aux pièces chaudes et ÉVITEZ le contact avec les gaz d'échappement.
- Laissez refroidir le compresseur avant d'effectuer l'entretien.

### AVERTISSEMENT



Le jet d'air comprimé du boyau ou du robinet de vidange peut causer des lésions aux tissus de la peau exposée et peut projeter des objets entraînant des blessures graves et / ou des dommages à la propriété.

- NE dirigez PAS le jet d'air vers vous-même ou quelqu'un d'autres.
- Portez toujours des lunettes de sécurité avec protection latérale approuvées ANSI Z87.1.

### AVERTISSEMENT



L'inhalation de l'air comprimé n'est pas sécuritaire et peut causer de graves blessures.

Certains produits de peinture ou solvants peuvent être nocifs en cas d'ingestion ou d'inhalation et peuvent provoquer des nausées, un évanouissement ou un empoisonnement.

- N'utilisez PAS l'air comprimé pour l'inhalation.
- Portez toujours un respirateur homologué par la NIOSH et conçu pour votre application.
- Lisez toujours les directives d'utilisation du respirateur de façon à vous assurer qu'il fournit la protection nécessaire contre l'inhalation de vapeurs nocives.

### AVERTISSEMENT



Le démarreur et d'autres pièces rotatives peuvent happer des mains, des cheveux, des vêtements ou des accessoires.

- N'utilisez PAS le compresseur sans les couvercles protecteurs ou si les gardes sont manquants ou endommagés.
- Ne placez JAMAIS vos mains ou des parties de votre corps à l'intérieur de l'unité ou des boyaux lorsqu'elle fonctionne.
- NE portez PAS de vêtements amples, de bijoux ou autres accessoires qui pourraient se prendre dans des pièces rotatives.
- Attachez les cheveux longs et enlevez vos bijoux.



## SPÉCIFICATIONS

Les compresseurs d'air du modèle 074002 sont actionnés par un moteur à cylindre unique, soupape en tête, refroidi à l'air et à faibles émissions.

Ces moteurs de compresseur d'air sont homologués dans l'état de la Californie par le California Air Resources Board. Selon cet organisme, elle satisfera les normes relatives aux émissions durant 250 heures d'utilisation. Ce type d'homologation ne donne à l'acheteur, au propriétaire ou à l'utilisateur aucune garantie supplémentaire en ce qui a trait à la performance ou à la durée de vie du moteur. Le moteur est garanti conformément à l'énoncé des pages 52 et 53.

### Puissance nominale

\* Les puissances nominales d'un modèle de moteur sont initialement établies en commençant par le code SAE (Society of Automotive Engineers) J1940 (Small Engine Power & Torque Rating Procedure) (Revision 2002-05). Étant donné la vaste gamme de produits sur lesquels nos moteurs sont installés, ainsi que la variété de problèmes environnementaux reliés au fonctionnement de l'équipement, il est possible que le moteur que vous avez acheté ne développe pas la puissance nominale indiquée lorsqu'il est utilisé pour entraîner un appareil (puissance d'utilisation réelle). La différence peut être liée à divers facteurs incluant, sans s'y limiter, les suivants: différences dans l'altitude, la température, la pression barométrique, l'humidité, l'essence, la lubrification du moteur ou la vitesse maximum régulée du moteur, variations individuelles d'un moteur à l'autre, conception spécifique de l'appareil entraîné, façon dont le moteur est utilisé, rodage du moteur pour réduire la friction et nettoyer les chambres de combustion, réglage des soupapes et du carburateur et autres facteurs. Les puissances nominales peuvent également être réglées selon des comparaisons avec d'autres moteurs semblables employés à des fins similaires. Il est donc possible qu'elles ne correspondent pas aux valeurs obtenues à l'aide des codes énumérés ci-dessus.

### Caractéristiques du produit

Puissance\* brute: . . . . . 6,5 HP  
 Type de pompe: . . . . . Entraînement par courroie  
 Lubrifiant pour la pompe: . . . . . Huile synthétique SAE 5W50  
 Capacité de la pompe à l'huile: . . . . . 15.2 oz. (450ml)  
 Sortie d'air:  
     À 40 lb/po2 . . . . . 11,0 CFM  
     À 90 lb/po2 . . . . . 9,0 CFM  
 Réglage de la pression d'enclenchement: . . . . . 116 lb/po2 (8,0 bars)  
 Réglage de la pression de déclenchement: . . . . . 145 lb/po2 (10,0 bars)  
 Taille du réservoir: . . . . . 8 Gallons (30 L)  
 Style de réservoir: . . . . . Double, Horizontal (sur brouette)  
 Dimension recommandée de boyau d'air: . . . . . 3/8 pouces (14mm) DI  
 Raccords d'air: . . . . . 1/4 pouce NPT  
 Type de raccords à connexion rapide: . . . . . I/M  
 Plage d'utilisation de température: . . . . . 32° à 95°F (0° à + 35°C)  
 Pression d'air du pneu: . . . . . 36 lb/po2 (2,5 bars)  
 Poids à l'expédition: . . . . . 144 lb (65,3 Kg)

### Caractéristiques du moteur

Puissance brute . . . . . 6,5 à 3 600 tr/m  
 Alésage. . . . . 2,69 po (68,3mm)  
 Course de piston . . . . . 2,2 po (55,8mm)  
 Cylindrée . . . . . 12.57 po (206 cc)  
 Bougie d'allumage  
     Type: . . . . . Champion RC12YC ou l'équivalent  
     Définir l'écartement à: . . . . . 0,030 po (0,76 mm)  
 Distance d'éclatement: . . . . . 0.010-0.014 po (0.25-0.36mm)  
 Jeu des soupapes avec ressorts de soupape installés et piston 6 mm (1/4 po) passé le point mort supérieur du temps de compression (à vérifier lorsque le moteur est froid).  
 Admission . . . . . 0.004-0.006 po (0.10-0.15 mm)  
 Échappement . . . . . 0.009-0.011 po (0.23-0.28 mm)  
 Capacité du réservoir d'essence . . . . . 1 gallon américain (3,8 l)  
 Capacité du carter d'huile . . . . . 20 onces (0.6 litres)  
 Type d'huile à moteur:  
     Plus de 40 °F (10 °C) . . . . . SAE 30  
     Moins de 40 °F (10 °C) . . . . . SAE 5W-30 ou 10W-30

**REMARQUE:** Pour un meilleur fonctionnement, la puissance utile ne devrait pas dépasser 85 % de la puissance nominale. La puissance du moteur sera réduite de 3,5 % pour chaque 300 mètres (1 000 pieds) au-dessus du niveau de la mer; et de 1% pour chaque 5,6° C (10° F) au-dessus de 25° C (77°). Il fonctionnera de façon satisfaisante jusqu'à un angle maximum de 15°.

## ENTRETIEN

Pour assurer un fonctionnement efficace et une longue durée de vie au compresseur d'air, préparez et conformez-vous à un calendrier d'entretien de routine. La routine décrite dans cette section est conçue pour un compresseur d'air utilisé quotidiennement dans des conditions normales de travail. Au besoin, modifiez le calendrier pour vous adapter aux conditions d'utilisation de votre compresseur. Les modifications seront sujettes aux heures d'utilisation et à l'environnement de travail. L'utilisation des compresseurs d'air dans

des environnements extrêmement hostiles et sales nécessitera des vérifications d'entretien plus fréquentes.

**REMARQUE:** Voir FONCTIONS ET COMMANDES et FONCTIONNEMENT au sujet de l'emplacement des commandes.

Respectez le calendrier d'entretien selon le nombre d'heures de fonctionnement ou le temps écoulé, le premier des deux prévalant:

Calendrier d'entretien	Calendrier d'entretien				Dates d'entretien	
	Quotidien	Hebdomadaire	Aux 50 heures ou 1 fois l'an	Aux 100 heures ou 1 fois l'an	Inscrivez les dates au fur et à mesure que vous effectuez l'entretien régulier	
Tâche d'entretien						
Nettoyez l'unité	X					
Vérifiez la soupape de sûreté	X					
Vérifiez les raccords et robinets	X					
Vérifiez le niveau d'huile du moteur	X					
Vérifiez le niveau d'huile de la pompe		X				
Vérifiez le filtre à air du moteur		X <sup>1</sup>				
Changer l'huile du moteur			X <sup>2</sup>			
Nettoyage de l'écran pare-étincelles			X			
Vérifiez/nettoyez le filtre à air de la pompe			X			
Changez l'huile de la pompe				X <sup>3</sup>		
Inspectez la bougie d'allumage				X		
Vérifiez les étiquettes de sécurité				X <sup>4</sup>		

- 1 Changez plus souvent dans des endroits sales ou poussiéreux.
- 2 Changez l'huile après les 5 premières heures d'opération et par la suite aux 50 heures d'opération
- 3 Changez l'huile après les 100 premières heures d'opération et par la suite aux 300 heures d'opération
- 4 Inspectez annuellement, remplacez au besoin

## Recommandations générales

Un entretien régulier améliorera la performance et prolongera la durée de vie du compresseur d'air.

La garantie du compresseur d'air ne couvre pas les éléments soumis à l'abus ou à la négligence de l'opérateur. Pour qu'elle soit entièrement valide, l'opérateur doit entretenir le compresseur d'air conformément aux instructions de ce manuel.

Certains réglages devront être faits périodiquement pour assurer un entretien adéquat du compresseur d'air. Consultez un distributeur autorisé de Briggs and Stratton Power Products pour l'entretien.

Il faut effectuer toutes les opérations d'entretien et les réglages au moins une fois par année. Suivez les instructions énumérées dans le CALENDRIER D'ENTRETIEN à la page 40.

**REMARQUE:** Une fois par année, vous devez nettoyer ou remplacer la bougie d'allumage et remplacer le filtre à air de la pompe et du moteur. Une nouvelle bougie d'allumage et un filtre à air propre permettent de s'assurer que le mélange essence-air est adéquat en plus de contribuer au meilleur fonctionnement de votre moteur et d'augmenter sa durée de vie.

## Contrôle des émissions

L'entretien, le remplacement ou la réparation des dispositifs et systèmes antipollution peuvent être effectués par un établissement de réparation de moteurs hors route ou par une personne qualifiée. Voir SYSTÈME ANTIPOLLUTION, à la page 52.

## Entretien

L'entretien consiste à garder le compresseur d'air propre. Entrez l'unité dans un environnement propre et sec où elle ne sera pas exposée à une poussière, saleté, humidité excessive ou à des vapeurs corrosives. Les ailettes de refroidissement du moteur du compresseur d'air ne doivent pas être obstruées par de la saleté, des feuilles ou d'autres corps étrangers.

**REMARQUE:** N'utilisez PAS de boyau d'arrosage ou de liquides inflammables pour nettoyer le moteur du compresseur d'air. L'eau peut entrer dans le système d'alimentation et causer des problèmes.

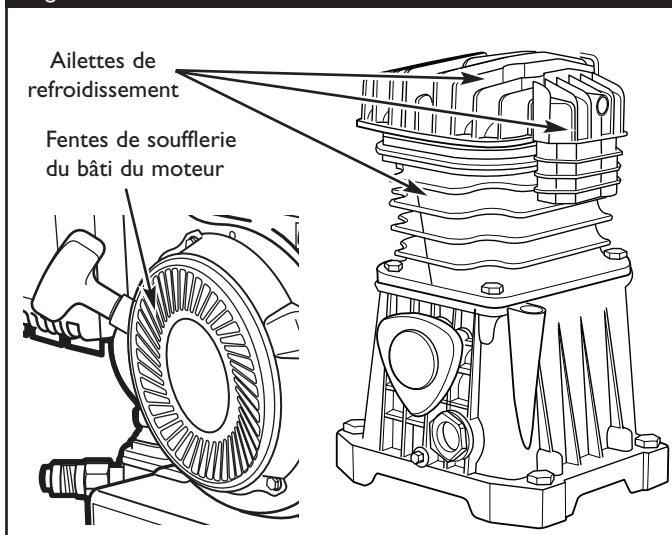
## Nettoyage de l'unité

Pour prolonger la durée de vie du compresseur, effectuez les étapes suivantes à toutes les semaines. Lorsque l'environnement d'utilisation est particulièrement sale, nettoyez l'unité à tous les jours.

	<b>AVERTISSEMENT</b>
Les pièces chaudes et les gaz d'échappement peuvent dépasser 65,5°C (150° F) et peuvent entraîner des brûlures.	
<ul style="list-style-type: none"> <li>• NE touchez PAS aux pièces chaudes et ÉVITEZ le contact avec les gaz d'échappement.</li> <li>• Laissez refroidir le compresseur avant d'effectuer l'entretien.</li> </ul>	

- I. Après avoir déconnecté la bougie d'allumage, utilisez un linge doux et une petite brosse pour nettoyer la saleté et les débris accumulés sur les surfaces suivantes:
  - Les ailettes de refroidissement situées sur le dessus et les côtés de la pompe du compresseur d'air et les fentes de soufflerie du bâti du moteur (voir Figure 35).

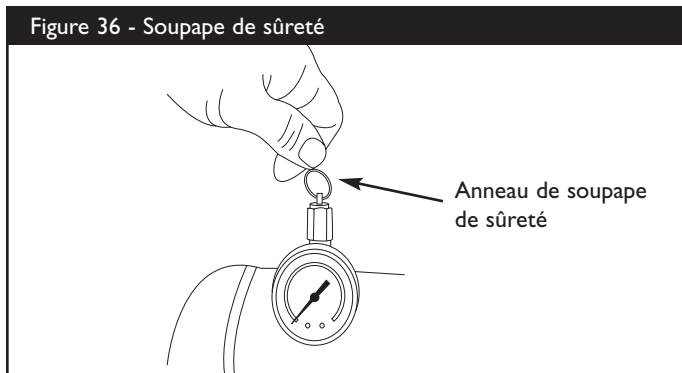
Figure 35 – Ailettes de refroidissement



- L'emplacement de l'orifice de remplissage d'huile et ses parties adjacentes sur le bâti de la pompe du compresseur d'air et du moteur.
- Le bouchon de vidange d'huile et ses parties adjacentes sur le bâti de la pompe du compresseur d'air et du moteur.
- Le bouton de commande de pression, les jauges, les raccords à connexion rapide, les soupapes de purge et la soupape de sûreté
- L'interrupteur du moteur **ON/OFF** et ses parties adjacentes
- Le levier de l'étrangleur, le levier de régime du moteur, le levier du robinet d'essence et ses parties adjacentes sur le carburateur
- La bougie d'allumage et ses parties adjacentes
- Soupape pilote et le levier
- Le bouchon du réservoir d'essence et ses parties adjacentes

## Vérifiez la soupape de sûreté

1. Tirez sur l'anneau de la soupape de sûreté (voir Figure 36) et assurez-vous que la soupape de sûreté fonctionne sans contrainte.



2. Si la soupape est coincée ou si elle ne fonctionne pas librement, elle doit être remplacée par le même type de soupape. Apportez l'unité au centre de service autorisé pour la réparation.

## Vérifiez les raccords de connexion rapide et les robinets de vidange du réservoir

1. Tournez l'interrupteur **ON/OFF** du moteur est à la position **OFF** (voir Figure 31 plus haut).
2. Placez le levier du robinet d'arrêt d'essence à la position **OFF** (voir Figure 30 plus haut).



### AVERTISSEMENT



Le jet d'air comprimé du boyau ou du robinet de vidange peut causer des lésions aux tissus de la peau exposée et peut projeter des objets entraînant des blessures graves et / ou des dommages à la propriété.



- NE dirigez PAS le jet d'air vers vous-même ou quelqu'un d'autres.
- Portez toujours des lunettes de sécurité avec protection latérale approuvées ANSI Z87.1.

3. Déconnectez les boyaux d'air, les outils pneumatiques ou accessoires de l'unité. Vérifiez les raccords de connexion rapide pour les nettoyer et la présence de dommages.
4. Tirez l'anneau de la soupape de sûreté pour réduire la pression d'air. Relâchez l'anneau de la soupape de sûreté.
5. Ouvrez les robinets de vidange (dévissez complètement dans le sens contraire des aiguilles d'une montre, voir Figure 24, plus haut) et vidangez l'eau accumulée. Les soupapes doivent fonctionner librement et posséder la plage complète d'opération.
6. Lorsque l'eau a été vidangée, fermez les robinets de vidange en tournant complètement dans le sens des aiguilles d'une montre.

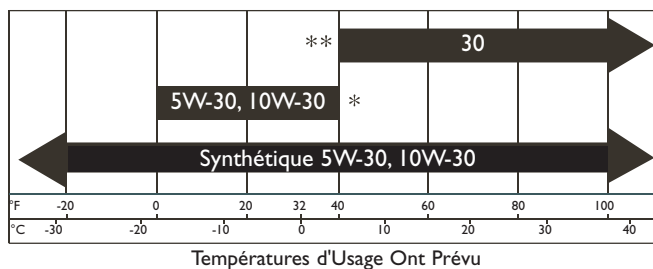
**REMARQUE:** Si les robinets de vidange sont coincés, tirez avec précaution sur la soupape de sûreté pour vidanger entièrement les réservoirs d'air. Retirez, nettoyez et réinstallez les robinets de vidange en utilisant un scellant pour joints de tuyauterie.

## Vérifiez le niveau d'huile du moteur

### Recommandations relatives à l'huile

**REMARQUE:** N'ajoutez au carter de moteur que de l'huile détergente de haute qualité ayant une des cotes de service API suivantes: SF, SG, SH, SJ ou plus. N'UTILISEZ PAS d'additifs spéciaux.

1. Choisissez la viscosité de l'huile en fonction du tableau suivant:



\* L'utilisation d'huiles à viscosité multiple (5W-30, 10W-30, etc.) alors que la température est supérieure à 4°C (40°F) entraînera une consommation d'huile plus élevée que la normale. Vérifiez l'huile plus souvent lorsque vous utilisez une huile à viscosité multiple.

\*\* L'utilisation d'huile SAE 30 à une température inférieure à 4°C (40°F) pourrait rendre le démarrage difficile et causer des dommages à l'alésage du moteur en raison d'une lubrification inadéquate.

**REMARQUE:** L'huile synthétique respectant la marque d'homologation ILSAC GF-2, API et portant le symbole d'entretien API avec la mention "SJ/CF (économie d'énergie)" ou plus, est une huile acceptable pour utilisation à toutes les températures. L'utilisation d'huile synthétique ne modifie pas les intervalles de changement d'huile.

### Vérification du niveau d'huile du moteur

Vérifiez le niveau d'huile avant chaque utilisation ou après chaque période de 8 heures d'utilisation. Gardez un niveau d'huile constant.

1. Assurez-vous que l'unité se trouve sur une surface de niveau.
2. Enlevez le bouchon de remplissage d'huile et essuyez avec un linge.
3. Vérifiez que l'huile est sur le point de déborder par l'orifice de remplissage.

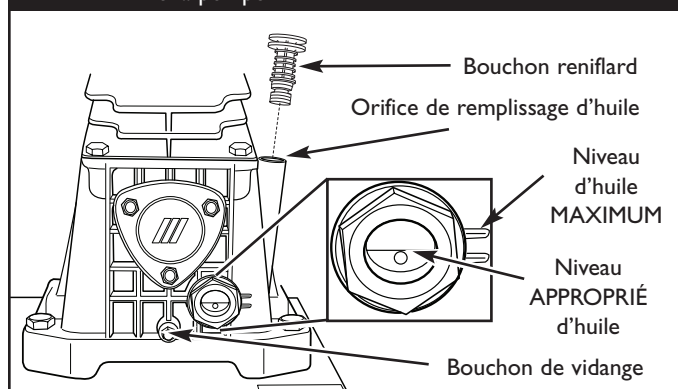
## Vérifiez le niveau d'huile de la pompe

### Vérification du niveau d'huile de la pompe

Suivez ces étapes pour vérifier le niveau d'huile:

1. Tournez l'interrupteur **ON/OFF** du moteur est à la position **OFF** (voir Figure 31 plus haut).
2. Placez le levier du robinet d'arrêt d'essence à la position **OFF** (voir Figure 30 plus haut).
3. Placez l'unité sur une surface plane et de niveau.
4. Regardez avec soin l'indicateur de niveau et vérifiez si le niveau d'huile est approprié. (voir Figure 37).

Figure 37 - Renseignements sur l'orifice de remplissage d'huile de la pompe



5. Si le niveau d'huile est trop bas, ajoutez l'huile recommandée jusqu'au niveau approprié (voir Figure 37). Si le niveau d'huile est au-dessus du niveau d'huile MAXIMUM, enlevez l'huile excédentaire tel que décrit dans la section CHANGEMENT D'HUILE DE LA POMPE à la page 45.

## Vérifiez le filtre à air du moteur

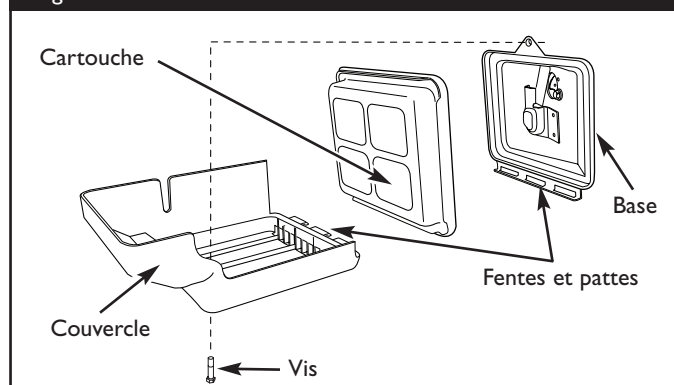
Votre moteur ne fonctionnera pas adéquatement et pourrait s'endommager si vous le faites fonctionner avec un filtre à air sale.

Remplacez le filtre à air à toutes les 25 heures d'utilisation ou une fois par an, le premier des deux prévalant. Remplacez l'élément filtrant plus souvent si vous utilisez la pompe dans un endroit sale ou poussiéreux.

Pour faire l'entretien du filtre à air, procédez comme suit:

1. Desserrez et enlever la vis. Inclinez le couvercle vers vous et retirez les pattes des fentes (voir Figure 38).

Figure 38 – Filtre à air



2. Retirez soigneusement l'élément filtrant de la base.
3. Installez un ensemble d'élément filtrant avec le filtre à air propre (ou un nouveau) dans la base. Si un dépoussiéreur est utilisé, installez avec les flèches vers le haut et la languette du dépoussiéreur vers le bas de la cartouche en accordéon.
4. Insérez les pattes du couvercle dans les fentes de la base et la languette du couvercle dans sa position.
5. Insérez la vis et la resserrez.

## Vidange de l'huile moteur

Changez l'huile après la première période de 5 heures d'utilisation. Par la suite, changez l'huile après chaque période de 50 heures d'utilisation. Si vous utilisez votre compresseur d'air dans des endroits très sales ou poussiéreux ou dans des conditions de chaleur intense, changez alors l'huile plus fréquemment.

### ! MISE EN GARDE

Évitez les contacts prolongés ou répétés entre la peau et la vieille huile à moteur.

- La vieille huile à moteur a causé un cancer de la peau chez certains animaux de laboratoire.
- Lavez bien les parties exposées avec du savon et de l'eau.



CONSERVER HORS DE LA PORTÉE DES ENFANTS. NE PAS POLLUER. PRÉSERVER LES RESSOURCES. RETOURNER LA VIEILLE HUILE DANS DES CENTRES DE RÉCUPÉRATION.

Changez l'huile alors que le moteur est encore chaud, de la façon suivante:

1. Assurez-vous que l'unité se trouve sur une surface de niveau.
2. Débranchez le câble de bougie de la bougie et placez-le à un endroit où il ne peut entrer en contact avec la bougie.

## ⚠ AVERTISSEMENT



Une étincelle involontaire peut causer un incendie ou un choc électrique.



### LORS DU RÉGLAGE OU DES RÉPARATIONS DE VOTRE COMPRESSEUR D'AIR

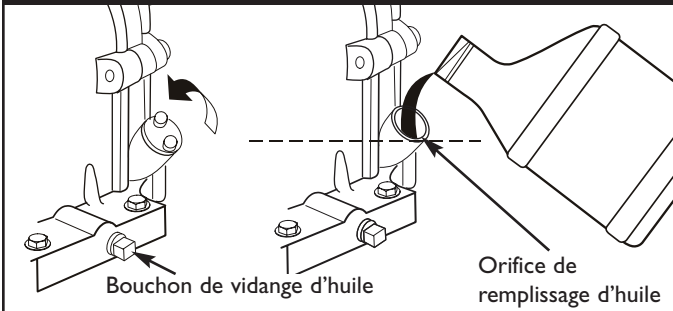
- Débranchez le câble de bougie de la bougie et placez-le à un endroit où il ne peut entrer en contact avec la bougie.

### LORS DE TESTS D'ALLUMAGE DU MOTEUR

- Utilisez un vérificateur de bougies d'allumage approuvé.
- NE vérifiez PAS l'allumage lorsque la bougie d'allumage est enlevée.

3. Nettoyez la surface autour du bouchon de vidange d'huile du moteur. Le bouchon de vidange d'huile du moteur se trouve au bas du moteur, à l'opposé du carburateur (voir Figure 39).

Figure 39 — Bouchon de vidange d'huile et bouchon de remplissage d'huile du moteur



4. Enlevez le bouchon de vidange d'huile du moteur et vidangez complètement l'huile du moteur dans un contenant approprié.
5. Réinstallez le bouchon de vidange d'huile du moteur et serrez-le solidement. Retirez le couvercle de l'orifice de remplissage d'huile.
6. Utilisez un entonnoir et videz lentement de l'huile (environ 20 oz (0,6 l)) dans l'orifice de remplissage d'huile, jusqu'à ce qu'elle déborde par l'orifice du couvercle de remplissage d'huile (voir Figure 39). NE remplissez PAS trop.
7. Remplacez le couvercle de l'orifice de remplissage d'huile. Serrez-le fermement à la main.
8. Essayez tout déversement d'huile. Jetez l'huile usée selon les réglementations.

## Nettoyage de l'écran pare-étincelles

Le silencieux du moteur peut être doté d'un écran pare-étincelles. S'il en est doté, vérifiez et nettoyez cet écran à toutes les 50 heures d'utilisation ou une fois par an, le premier des deux prévalant.

Si vous utilisez votre compresseur d'air sur un terrain boisé, couvert de broussailles ou gazonné non défriché, vous devez avoir un pare-étincelles. Le propriétaire/opérateur doit conserver le pare-étincelles en bon état.

## ⚠ AVERTISSEMENT



Les moteurs en marche produisent de la chaleur. La température du silencieux et des surfaces environnantes peut atteindre et dépasser 65°C (150°F). Un contact avec ces surfaces peut causer des brûlures graves.



La chaleur et les gaz d'échappement peuvent enflammer des matériaux combustibles et les structures ainsi que causer des dommages au réservoir d'essence et entraîner un incendie.

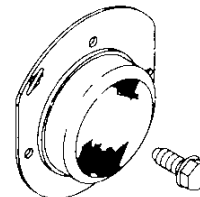
- NE touchez PAS aux pièces chaudes et évitez le contact avec les gaz d'échappement.
- Laissez refroidir l'équipement avant d'y toucher.
- Laissez un dégagement d'au moins 152,40 cm (5 pi) tout autour du compresseur d'air, y compris au-dessus.
- Le Code of Federal Regulation (CFR) Title 36 Parks, Forests, and Public Property exige que de l'équipement alimenté par un moteur à combustion interne soit doté d'un pare-étincelles et constamment maintenu en bon état de fonctionnement, conformément à la norme de service 5100-1C de la USDA Forest ou à une révision de celle-ci. Dans l'État de la Californie, un pare-étincelles est requis en vertu de la section 4442 du California Public Resources Code. Il se peut que d'autres États aient des lois semblables.

Si le moteur fonctionne depuis un certain temps, le silencieux peut être très chaud. Laissez le silencieux refroidir avant d'effectuer l'entretien du pare-étincelles.

- Enlevez l'écran de pare-étincelles pour procéder au nettoyage et à l'inspection (voir Figure 40) en desserrant et en enlevant les vis de l'écran thermique du silencieux utilisé pour retenir l'écran.

Figure 40 – Pare-étincelles

Pare-étincelles type illustré



- Vérifiez l'écran et remplacez-le s'il est tordu, troué ou autrement endommagé. N'UTILISEZ PAS un écran défectueux. Si l'écran n'est pas endommagé, nettoyez-le avec du dissolvant commercial.
- Remplacez l'écran de pare-étincelles à l'écran thermique du silencieux en installant les vis dans les orifices appropriés.

**REMARQUE:** Vous pouvez acheter un nouvel écran de pare-étincelles en téléphonant au **1-800-743-4115**.

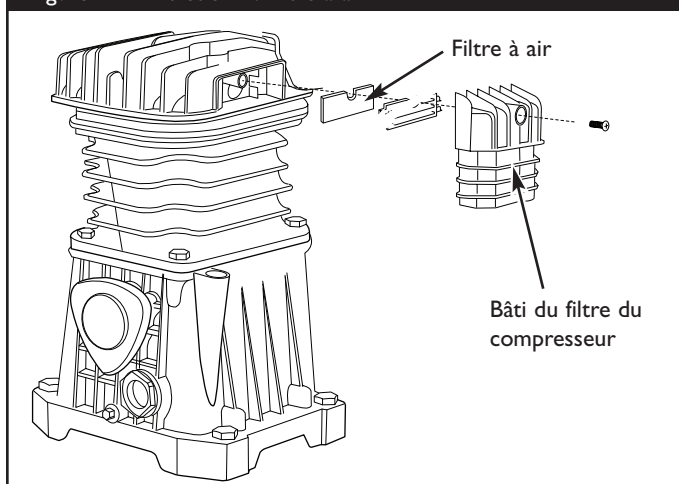


## Vérifiez/nettoyez le filtre à air de la pompe

Suivez les étapes suivantes pour vérifier et nettoyer le filtre à air intégré de la pompe du compresseur.

1. Avec des réservoirs d'air complètement pressurisés.
2. Tournez l'interrupteur **ON/OFF** du moteur est à la position **OFF** (voir Figure 31 plus haut).
3. Placez le levier du robinet d'arrêt d'essence à la position **OFF** (voir Figure 30 plus haut).
4. Utilisez un tournevis à tête cruciforme (Phillips) pour retirer la vis retenant le couvercle du filtre à air et enlevez le couvercle du filtre à air (voir Figure 41).

Figure 41 - Entretien du filtre à air



5. Retirez le filtre à air.

**IMPORTANT:** NE PAS utiliser le compresseur alors que le filtre à air est enlevé.

6. S'il est sale, utilisez de l'air comprimé à faible pression (n'excédez pas 25 lb/po2) pour déloger la saleté du filtre. Soufflez également les débris du couvercle du filtre à air et du bâti du filtre du compresseur (voir Figure 41).

**REMARQUE:** N'UTILISEZ PAS de solvants liquides pour nettoyer le filtre.

7. Remplacez le filtre à air dans le bâti du filtre du compresseur.
8. Remplacez le couvercle du filtre à air sur le filtre. Utilisez un tournevis à tête cruciforme (Phillips) pour fixer le couvercle avec la vis.

**REMARQUE:** Remplacez le filtre à air s'il est extrêmement sale.

## Changement d'huile de la pompe

Aux intervalles de changement d'huile recommandés, suivez les étapes suivantes:

1. Tournez l'interrupteur **ON/OFF** du moteur est à la position **OFF** (voir Figure 31 plus haut).

2. Placez le levier du robinet d'arrêt d'essence à la position **OFF** (voir Figure 30 plus haut).

3. Placez l'unité sur une surface plane et de niveau.

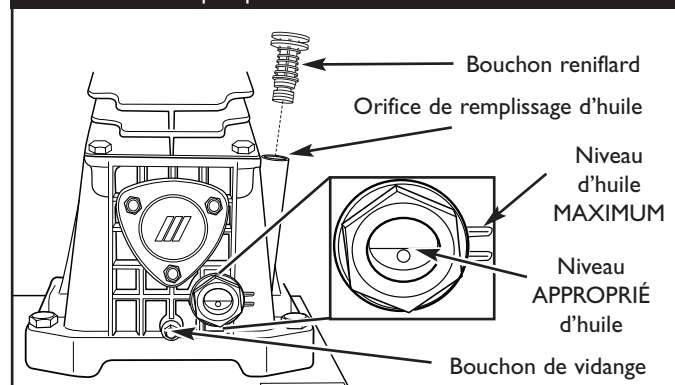
<b>AVERTISSEMENT</b>	
	Les pièces chaudes et les gaz d'échappement peuvent dépasser 65,5°C (150° F) et peuvent entraîner des brûlures.
<ul style="list-style-type: none"> <li>• NE touchez PAS aux pièces chaudes et ÉVITEZ le contact avec les gaz d'échappement.</li> <li>• Laissez refroidir le compresseur avant d'effectuer l'entretien.</li> </ul>	

4. Retirez le bouchon reniflard de l'orifice de remplissage d'huile.

<b>MISE EN GARDE</b>	
	L'accumulation résiduelle d'air comprimé dans la pompe peut projeter de l'huile et causer des lésions aux tissus de la peau exposée et aux yeux, et entraîner ainsi des blessures graves.
<ul style="list-style-type: none"> <li>• Portez toujours des lunettes de sécurité avec protection latérale approuvées ANSI Z87.1.</li> </ul>	

5. Placez un contenant approprié sous le bouchon de vidange d'huile pour récupérer l'huile vidangée.
6. Utilisez une clé à mollette pour enlever le bouchon de vidange.
7. Videz complètement l'huile dans le contenant approprié. Installez le bouchon de vidange et serrez-le en utilisant la clé à mollette. Jetez l'huile usée selon les réglementations.
8. En utilisant un entonnoir, ajoutez lentement l'huile recommandée. Vérifiez visuellement le niveau de l'huile fréquemment sur l'indicateur de niveau pour éviter le remplissage excessif de la pompe du compresseur d'air (voir Figure 42).

Figure 42 - Renseignements sur l'orifice de remplissage d'huile de la pompe



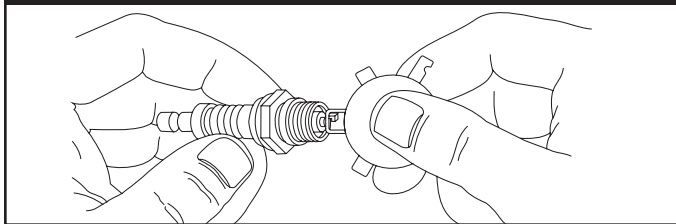
9. Lorsque l'huile se situe au niveau approprié, réinsérez le bouchon reniflard et essuyez toute trace d'huile déversée.

### Vérification de la bougie

Changez la bougie d'allumage à toutes les 100 heures d'utilisation ou une fois par an, le premier des deux prévalant. Ainsi, le moteur démarrera plus facilement et fonctionnera mieux.

1. Nettoyez la surface autour de la bougie d'allumage.
2. Enlevez la bougie d'allumage et examinez-la.
3. Vérifiez l'écartement des électrodes à l'aide d'une jauge d'épaisseur et réglez l'écartement à 0,030 po (0,76 mm) au besoin (voir Figure 43).

Figure 43 — Bougie d'allumage



4. Si les électrodes sont piquées, brûlées ou si la porcelaine est craquée, changez la bougie. Utilisez la bougie de remplacement recommandée (voir Page 39).
5. Installez la bougie d'allumage et serrez-la solidement.

### Vérifiez les étiquettes de sécurité

Aussi souvent que vous le désirez ou au moins une fois par année, vérifiez toutes les étiquettes apposées sur le compresseur d'air. Toutes les étiquettes de sécurité doivent être présentes et lisibles. Si une étiquette de sécurité est manquante ou illisible, obtenez un formulaire de remplacement à un centre de service autorisé ou appelez au service de dépannage du compresseur d'air au numéro sans frais 1-800-743-4115.

### ENTREPOSAGE

Il est préférable de démarrer le compresseur d'air au moins une fois tous les sept jours et de la laisser fonctionner durant au moins 30 minutes. Si cela n'est pas possible et que vous devez l'entreposer durant plus de 30 jours, suivez les directives ci-après pour préparer l'unité en vue de l'entreposage.

Avant d'entreposer votre compresseur d'air, assurez-vous d'exécuter les étapes suivantes:

1. Révisez ENTRETIEN en commençant à la page 40 et exécutez le calendrier d'entretien au besoin.
2. Tournez l'interrupteur **ON/OFF** du moteur est à la position **OFF** (voir Figure 31 plus haut).
3. Placez le levier du robinet d'arrêt d'essence à la position **OFF** (voir Figure 30 plus haut).
4. Tournez le bouton de commande de pression dans le sens contraire des aiguilles d'une montre jusqu'à ce que le bouton tourne librement.
5. Débranchez les boyaux d'air, les outils pneumatiques ou les accessoires.
6. Tirez l'anneau de la soupape de sûreté et vidangez l'air des réservoirs d'air pour réduire la pression d'air. Relâchez l'anneau de la soupape de sûreté.
7. Vidangez l'air et le condensat des réservoirs en ouvrant complètement les robinets de vidange dans le sens contraire aux aiguilles d'une montre.
8. Lors de la vidange, agitez doucement l'unité d'un côté à l'autre et vers l'avant et vers l'arrière pour brasser le condensat afin d'accélérer la vidange.
9. Lorsque le condensat a été vidangé, fermez les robinets de vidange en tournant complètement dans le sens des aiguilles d'une montre.
10. Protégez les boyaux d'air des dommages (tel que décrit précédemment).

### Directives d'entreposage à long terme

Pendant la période d'entreposage, il est important d'empêcher la formation de dépôts de gomme dans les parties importantes du système d'alimentation comme le carburateur, le filtre à essence, le tuyau souple de carburant ou les réservoirs. De plus, l'expérience a démontré que les carburants à l'alcool (appelés gazohol, éthanol ou méthanol) attire l'humidité, ce qui entraîne la séparation et la formation d'acides durant l'entreposage. Un carburant acide peut endommager le système d'alimentation du moteur pendant l'entreposage.

#### Additif de carburant:

Si vous utilisez un additif de carburant, remplissez le réservoir à essence avec de l'essence fraîche. Si le réservoir à essence n'est que partiellement rempli, l'air présent augmentera la détérioration de l'essence durant son entreposage. Vous pouvez entreposer le moteur et l'essence durant une période maximale de 24 mois avec un additif.

- Ajoutez un additif de carburant en suivant les directives du fabricant.
- Laissez tourner le moteur à l'extérieur pendant 30 secondes pour vous assurer que l'essence traitée a remplacé l'essence non traitée dans le carburateur.

Si vous n'utilisez pas d'additif, videz le réservoir à essence et laissez tourner le moteur jusqu'à ce qu'il tombe en panne d'essence.


 <b>AVERTISSEMENT</b>	
	L'essence et ses vapeurs sont extrêmement inflammables et explosives.
	Un incendie ou une explosion peut causer des brûlures graves ou la mort.
<b>LORS DE L'ENTREPOSAGE DE L'ESSENCE OU DE L'ÉQUIPEMENT AVEC DE L'ESSENCE DANS LE RÉSERVOIR</b>	
<ul style="list-style-type: none"> <li>• Entrez l'essence loin des fournaies, poêle, chauffe-eau, sècheuses ou autres électroménagers munis d'une veilleuse ou d'une source d'allumage, car ils pourraient allumer les vapeurs d'essence.</li> </ul>	
<b>LORS DE LA VIDANGE DE L'ESSENCE</b>	
<ul style="list-style-type: none"> <li>• Éteignez le compresseur d'air et laissez-le refroidir pendant au moins 2 minutes avant de retirer le bouchon du réservoir à essence. Dévissez lentement le bouchon pour libérer la pression dans le réservoir.</li> <li>• Vidangez le réservoir à essence à l'extérieur.</li> <li>• Gardez l'essence loin des étincelles, des flammes nues, des veilleuses, de la chaleur et des autres sources d'allumage.</li> <li>• N'allumez PAS de cigarette ou NE fumez PAS.</li> </ul>	

### Changement de l'huile

Alors que le moteur est encore chaud, vidangez l'huile du carter (voir Page 43). Remplissez le carter à nouveau avec de l'huile de la qualité recommandée.



### Huilage de l'alésage du cylindre

- Enlevez la bougie d'allumage et versez environ 30 ml (1 once) d'huile à moteur neuve dans le cylindre.
- Installez la bougie d'allumage et tirez lentement la poignée du démarreur pour distribuer l'huile.

 <b>AVERTISSEMENT</b>	
	Une étincelle involontaire peut causer un incendie ou un choc électrique.
	
<ul style="list-style-type: none"> <li>• NE TIREZ JAMAIS la poignée du démarreur si la bougie d'allumage est enlevée.</li> </ul>	

### Autres conseils d'entreposage

1. N'entrez l'essence PAS d'une saison à l'autre.
2. Remplacez le contenant à essence s'il commence à rouiller. Un carburant contaminé peut causer des problèmes de moteur.
3. Si possible, entreposez l'appareil à l'intérieur et couvrez-le pour le protéger contre la poussière et les saletés. **ASSUREZ-VOUS DE VIDER LE RÉSERVOIR D'ESSENCE.**
4. Couvrez l'unité à l'aide d'une housse de protection adéquate qui ne retient pas l'humidité.

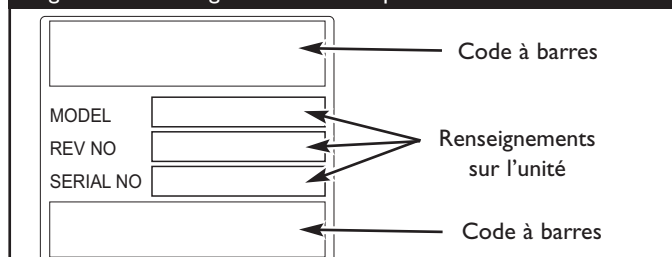
 <b>AVERTISSEMENT</b>	
	Les couvertures de rangement peuvent être inflammables.
<ul style="list-style-type: none"> <li>• NE placez JAMAIS une couverture de rangement sur un compresseur d'air encore chaud.</li> <li>• Laissez l'appareil refroidir suffisamment avant de placer la couverture de rangement dessus.</li> </ul>	
<ol style="list-style-type: none"> <li>5. Entrez l'essence le compresseur d'air sur une surface plane, à l'intérieur dans un endroit à l'abri du gel.</li> </ol>	

## DÉPANNAGE

### Avant de nous contacter

Si vous éprouvez des problèmes avec l'utilisation de votre compresseur d'air, veuillez appeler le service de dépannage du compresseur d'air au **1-800-743-4115**. Si vous appelez pour obtenir de l'assistance, ayez en main le numéro de modèle, le numéro de série et de révision que vous trouverez sur l'étiquette de données. (voir Figure 44).

Figure 44 - Renseignements de l'étiquette de données



PROBLÈME	CAUSE	SOLUTION
<b>Suppression du réservoir – Déclenchement de la soupape de sûreté.</b>	Le manostat n'arrête pas le moteur lorsque le compresseur atteint la pression de déclenchement ou les réglages de rupture trop élevés.	Déplacez l'interrupteur <b>ON/OFF</b> du moteur à la position <b>OFF</b> . Contactez un technicien de service qualifié.
<b>Fuite d'air</b>	<ol style="list-style-type: none"> <li>Raccord à connexion rapide craqué ou lâche.</li> <li>Vérifiez si le siège de la soupape est sale ou endommagé.</li> <li>Soupape de relâchement de surpression défectueuse.</li> <li>Réservoir d'air défectueux.</li> <li>Joint d'étanchéité qui fuit.</li> <li>Commande de pression endommagée.</li> </ol>	<ol style="list-style-type: none"> <li>Resserrez les raccords de connexion rapide aux endroits où des fuites d'air sont perçues. Remplacez les raccords.</li> <li>Contactez un technicien de service qualifié.</li> <li>Contactez un technicien de service qualifié.</li> <li>Le réservoir d'air doit être remplacé. <b>NE RÉPAREZ PAS LE RÉSERVOIR.</b></li> <li>Contactez un technicien de service qualifié.</li> <li>Contactez un technicien de service qualifié.</li> </ol>
<b>Cognement</b>	Soupape de sûreté sale ou défectueuse.	Activez manuellement la soupape de sûreté en tirant sur l'anneau. Si la soupape fuit toujours, faites-la remplacer à un centre de service autorisé.

PROBLÈME	CAUSE	SOLUTION
<b>Le compresseur ne fournit pas suffisamment d'air pour le fonctionnement des accessoires.</b>	<ol style="list-style-type: none"> <li>Utilisation excessive prolongée de l'air.</li> <li>Le compresseur n'est pas de capacité suffisante pour les exigences d'air demandées.</li> <li>Trou dans le boyau</li> <li>Vérifiez la restriction de la soupape ou les fuites d'air.</li> <li>Restriction du filtre de la soupape d'admission.</li> </ol>	<ol style="list-style-type: none"> <li>Diminuez la quantité d'air utilisé.</li> <li>Vérifiez les exigences de l'accessoire. Si elles sont supérieures au CFM ou à la pression fournie par votre compresseur d'air, vous aurez besoin d'un compresseur d'air de plus grande capacité.</li> <li>Vérifiez et remplacez au besoin.</li> <li>Contactez un technicien de service qualifié.</li> <li>Nettoyez ou remplacez la soupape d'admission du filtre (voir page 45).</li> </ol>
<b>Le moteur ne démarre pas; manque de puissance; démarre et a des ratés; ou le régime du moteur fluctue constamment (ratés).</b>	<ol style="list-style-type: none"> <li>L'interrupteur <b>ON/OFF</b> réglé à <b>OFF</b>.</li> <li>Le robinet d'essence est en position <b>OFF</b>.</li> <li>Filtre à air encrassé.</li> <li>Panne d'essence.</li> <li>Essence éventée ou contaminée ou eau dans l'essence.</li> <li>Fil de bougie non branché à la bougie.</li> <li>Bougie défectueuse.</li> <li>Trop grande quantité d'essence dans le mélange air/essence, ce qui "noie" le moteur.</li> <li>Mélange d'essence trop riche.</li> <li>Soupape d'admission bloquée en position ouverte ou fermée.</li> <li>Perte de compression du moteur.</li> <li>Le mélange est trop riche ou trop pauvre dans le carburateur.</li> </ol>	<ol style="list-style-type: none"> <li>Réglez l'interrupteur sur <b>ON</b>.</li> <li>Tournez le robinet d'essence à la position <b>ON</b>.</li> <li>Nettoyez ou remplacez le filtre à air.</li> <li>Attendez deux minutes et remplissez le réservoir d'essence.</li> <li>Vidangez le réservoir et le carburateur; faites le plein avec de l'essence nouvelle.</li> <li>Branchez le fil à la bougie.</li> <li>Remplacez la bougie.</li> <li>Attendez 5 minutes et redémarrez le moteur.</li> <li>Contactez un centre de service autorisé.</li> <li>Contactez un centre de service autorisé.</li> <li>Contactez un centre de service autorisé.</li> <li>Contactez un centre de service autorisé.</li> </ol>
<b>Le moteur s'arrête quand il fonctionne.</b>	Panne d'essence.	Attendez deux minutes et remplissez le réservoir d'essence.
<b>Le compresseur ne fonctionne pas.</b>	<ol style="list-style-type: none"> <li>La pression dans le réservoir excède la pression d'enclenchement de la soupape pilote.</li> <li>Raccordements électriques lâches.</li> <li>La soupape de démarrage sur la soupape pilote n'a pas vidangé la pression d'air de la tête du compresseur.</li> </ol>	<ol style="list-style-type: none"> <li>Le moteur passera du ralenti à plein régime lorsque la pression dans le réservoir chute sous le réglage "d'enclenchement".</li> <li>Contactez un technicien de service qualifié.</li> <li>Vidangez la pression en ouvrant la soupape de démarrage. Si la soupape ne s'ouvre pas, tirez sur l'anneau de la soupape de sûreté; remplacez la soupape pilote.</li> </ol>

## GLOSSAIRE

En devenant familier avec ces termes, ceci vous aidera à comprendre et à utiliser la plupart des compresseurs d'air.

**Sortie d'air** – Une combinaison de lb/po2 et de pi3/min La sortie d'air requise par un outil pneumatique ou un accessoire est indiquée en "nombre" de pi3/min à "nombre de lb/po2". Par exemple "9.0 CFM à 90 lb/po2". La combinaison de ces valeurs détermine la capacité requise par le compresseur d'air.

**Taille du réservoir d'air** – Le volume d'air emmagasiné dans le réservoir et sa disponibilité pour usage immédiat.

**Courant alternatif (C.A.)** – La tension qui augmente à une valeur positive maximum (+) et qui chute à zéro et qui continue à une valeur négative maximum (-) et qui retourne à zéro. Ce cycle se répète 60 fois par seconde pour une alimentation C.A. de 60 hertz.

**Certification ASME** – Indique que l'appareil sous pression (réservoir d'air) et les composants qui y sont reliés sont fabriqués, testés et inspectés conformément aux spécifications établies par l'American Society of Mechanical Engineers.

**Soupape de sûreté ASME** – Un dispositif de protection qui vidange automatiquement le réservoir d'air si l'air qu'il contient excède une valeur nominale maximum réglée au préalable.

**Manchon en fonte** – Un fin cylindre de fer moulé dans la tête du cylindre, produisant une surface plus dure entre les parois d'aluminium du cylindre et les segments de piston d'acier, qui augmente ainsi la durée de vie du compresseur.

**CFM** pi3/min ou **SCFM** (Pieds cubes par minute standard). Le SCFM est le volume d'air, par pieds cubes que le compresseur peut pomper en en minute à une pression de travail spécifique. Le terme pi3/min est utilisé dans ce manuel.

**Disjoncteur** – Un thermorupteur qui ouvre un circuit si une quantité d'intensité trop élevée y passe. Le moteur du compresseur d'air est protégé par ce dispositif de réarmement.

**Pression d'enclenchement** – L'air qui sort du réservoir d'air fait décroître la pression dans le réservoir d'air. À un certain niveau bas, le manostat détecte cette baisse de pression et fait passer le moteur du compresseur du ralenti à plein régime, remplissant ainsi à nouveau le réservoir d'air. Le niveau auquel l'interrupteur du moteur devient en Marche (ON) est appelé Pression d'enclenchement.

**Pression de déclenchement** – Alors que le compresseur fonctionne, de l'air est produit et emmagasiné dans le réservoir d'air. Si l'air n'est pas utilisé, la pression d'air augmentera dans le réservoir. À un certain haut niveau, le manostat détecte cette hausse de pression et fait diminuer le régime du moteur au ralenti. Le niveau auquel l'interrupteur du moteur devient à la position OFF est appelé Pression de déclenchement.

**Prise double** – Deux prises de 120 volts C.A. qui sont réunis ensemble. Similaires aux prises murales d'une maison.

**GFCI**– Disjoncteur de fuite de terre. Un dispositif qui détectera le débit d'intensité à la valeur nominale de milliampères dans un circuit d'alimentation au conducteur à la terre et qui activera un relais qui ouvrira l'un et l'autre des conducteurs d'alimentation.

**Mise à la terre** – Une connexion soit intentionnelle ou accidentelle entre un circuit électrique et la terre ou à un corps conducteur tenant lieu de la terre.

**Commande de pression** – Souvent appelé un régulateur, ce dispositif est utilisé pour régler la pression de sortie d'air du compresseur. La commande de pression est réglée pour fournir une valeur en lb/po2 requise par certains outils pneumatiques tels que surveillés par le manomètre de pression de sortie.

**lb/po2** - livres par pouce carré. La mesure de la pression d'air fournie par le système du compresseur d'air.

**Compresseur à un étage** – Un compresseur à un étage fait référence à un compresseur d'air possédant un cylindre ou plus qui prélève l'air dans chacun des cylindres en course descendante et qui comprime l'air dans le réservoir d'air en course ascendante.

**Jauge de pression de réservoir** – Un dispositif utilisé pour indiquer la pression d'air contenue en lb/po2 dans le réservoir d'air.

**Compresseur à deux étages** – Un compresseur à deux étages possède toujours un minimum de deux cylindres – un cylindre de basse pression (LP) et un cylindre de haute pression (HP) (plus petit). Lorsque le piston LP est en course descendante, l'air est prélevé dans la pression atmosphérique, en course ascendante le piston LP décharge l'air par un refroidisseur intermédiaire et dans le cylindre HP en course descendante. Le piston HP en course ascendante décharge l'air dans le réservoir d'air. Les compresseurs à deux étages sont recommandés lorsque l'outil pneumatique est en utilisation continue.

**Antivibrateurs** – Leur installation est conçue pour minimiser les vibrations produites par le compresseur d'air.



## Période de durabilité des émissions et indice de pollution atmosphérique sur l'étiquette d'émissions du moteur

Les renseignements concernant la période de durabilité des émissions et l'indice de pollution atmosphérique doivent être fournis avec les moteurs qui répondent aux normes relatives aux émissions de catégorie 2 de la California Air Resources Board (CARB). Le fabricant du moteur doit fournir ces renseignements aux consommateurs sur des étiquettes d'émissions.

La **période de durabilité des émissions** décrit le nombre d'heures pendant lesquelles le moteur peut fonctionner en respectant les normes relatives aux émissions, en supposant que l'entretien est effectué conformément aux directives de fonctionnement et d'entretien. Les catégories utilisées sont les suivantes:

**Modéré:** Le moteur peut fonctionner pendant 125 heures tout en respectant la norme relative aux émissions.

**Intermédiaire:** Le moteur peut fonctionner pendant 250 heures tout en respectant la norme relative aux émissions.

**Prolongé:** Le moteur peut fonctionner pendant 500 heures tout en respectant la norme relative aux émissions.

Par exemple, l'utilisation d'une tondeuse poussée est d'environ 20 à 25 heures par année. Par conséquent, la **période de durabilité des émissions** d'un moteur de catégorie **intermédiaire** équivaut à une période de 10 à 12 années.

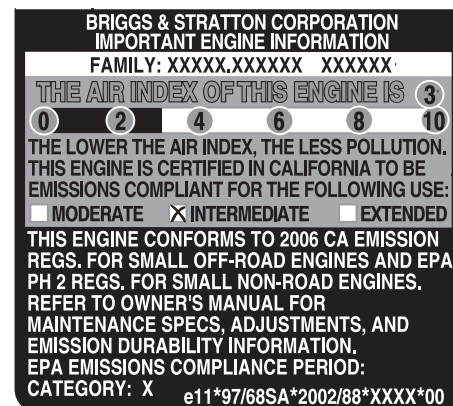
L'**indice de pollution atmosphérique** est un nombre calculé décrivant le taux relatif d'émissions pour un groupe de moteurs donné. Plus l'**indice de pollution atmosphérique** est faible, plus le moteur est dit "propre". Ces renseignements sont affichés sous forme graphique sur l'étiquette d'émissions.

## Période de conformité des émissions sur l'étiquette de conformité des émissions du moteur

À compter du 1er juillet 2000, certains moteurs Briggs & Stratton respecteront les normes relatives aux émissions de phase 2 de la United States Environmental Protection Agency (USEPA). Dans le cas des moteurs homologués phase 2, la période de conformité des émissions indiquée sur l'étiquette de conformité des émissions indique le nombre d'heures de fonctionnement pendant lesquelles le moteur a démontré qu'il respectait les exigences fédérales en matière d'émissions. Pour les moteurs de cylindrée inférieure à 225 cc, la catégorie C = 125 heures, B = 250 heures et A = 500 heures. Pour les moteurs de cylindrée égale ou supérieure à 225 cc, la catégorie C = 250 heures, B = 500 heures et A = 1000 heures.

Ce moteur est de catégorie intermédiaire; son indice de pollution atmosphérique est de 2. Il appartient à la catégorie B en ce qui a trait à la période de conformité des émissions EPA. Il a une cylindrée de 206 cc.

Vous trouverez ci-dessous une représentation générique de l'étiquette d'émissions apparaissant sur un moteur homologué.



# GARANTIE DU DISPOSITIF ANTIPOLLUTION

**Briggs & Stratton Corporation (B&S), le California Air Resources Board (CARB)  
et le United States Environmental Protection Agency (U.S. EPA)**

## **Énoncé de garantie du dispositif antipollution (Droits et obligations du propriétaire relatifs à la garantie contre les défauts)**

### **Énoncé de garantie du dispositif antipollution pour la Californie, les États-Unis et le Canada**

Le California Air Resources Board (CARB), l'U.S. EPA et B&S sont heureux de vous expliquer la garantie couvrant le dispositif antipollution de votre petit moteur hors route. En Californie, les nouveaux modèles de petits moteurs hors route de l'année 2006 et ultérieurs doivent être conçus, construits et équipés de façon à respecter les normes anti-smog rigoureuses de l'état. Ailleurs aux États-Unis, les nouveaux moteurs à étincelles hors route homologués, modèles 1997 ou plus récents, doivent respecter des normes semblables définies par l'U.S. EPA. B&S doit garantir le dispositif antipollution de votre moteur pour les périodes indiquées ci-dessous, à condition qu'il n'y ait pas eu d'abus, de négligence, de mauvais entretien sur ledit moteur.

Votre dispositif antipollution comprend des pièces comme le carburateur, le filtre à air, le système d'allumage, le conduit d'essence, le silencieux et le convertisseur catalytique. Il peut aussi y avoir des connecteurs et d'autres dispositifs reliés aux émissions.

Dans le cas d'un défaut couvert par la garantie, B&S réparera votre petit moteur hors route sans frais, et ce, incluant le diagnostic, les pièces et la main d'œuvre.

### **Couverture de garantie contre les défauts du dispositif antipollution de Briggs & Stratton**

La garantie de votre petit moteur hors route couvre les pièces défectueuses du dispositif antipollution pour une période de deux ans, sujette aux dispositions détaillées ci-dessous. Si une pièce de votre moteur couverte par la garantie est défectueuse, B&S la réparera ou la remplacera.

### **Responsabilités de la garantie du propriétaire**

En tant que propriétaire de petit moteur hors route, vous êtes responsable de l'exécution de l'entretien requis indiqué dans vos instructions d'utilisation et d'entretien. B&S recommande de conserver tous les reçus reliés à l'entretien de votre petit moteur hors route; toutefois, B&S ne peut refuser la garantie uniquement parce que vous êtes dans l'impossibilité de produire les reçus ou que vous n'avez pas effectué toutes les étapes de l'entretien prévu.

Néanmoins, vous devez savoir, en tant que propriétaire de petit moteur hors route, que B&S peut renier la garantie si votre moteur ou une pièce font défaut en raison d'abus, de négligence, d'entretien inadéquat ou de modifications non approuvées.

Dès qu'un problème survient, vous avez la responsabilité de faire examiner votre moteur chez un distributeur de service B&S autorisé. Les réparations couvertes par la garantie non contestées doivent être effectuées dans un délai raisonnable, n'excédant pas 30 jours.

Si vous avez des questions au sujet de vos droits et responsabilités reliés à la garantie, veuillez communiquer avec un représentant de B&S au 1-414-259-5262.

La garantie du dispositif antipollution est une garantie contre les défauts. Les défauts sont évalués selon la performance normale du moteur. La garantie n'est pas reliée à un test du dispositif antipollution à l'usage.

### **Dispositions de la garantie contre les défauts du dispositif antipollution de Briggs & Stratton**

Les dispositions qui suivent sont spécifiques à la couverture de garantie contre les défauts du dispositif antipollution. Elle est un ajout à la garantie sur les moteurs de B&S pour les moteurs non régulés, figurant dans le manuel d'utilisation.

#### **I. Pièces garanties**

La couverture de cette garantie n'englobe que les pièces énumérées ci-dessous (pièces du dispositif antipollution) dans la mesure où ces pièces étaient présentes sur le moteur au moment de l'achat.

- a. Système de contrôle d'alimentation en carburant
    - Dispositif d'enrichissement pour démarrage à froid (étrangleur à glissement)
    - Carburateur et pièces internes
    - Pompe à carburant
    - Conduit d'essence, raccords de conduit d'essence, brides de serrage
  - b. Circuit d'entrée d'air
    - Filtre à air
    - Collecteur d'admission
  - c. Système d'allumage
    - Bougie(s) d'allumage
    - Système d'allumage à magnéto
  - d. Système de catalyseur
    - Catalytic converter
    - Collecteur d'échappement
    - Système d'injection d'air ou soupape d'impulsion
  - e. Éléments divers utilisés dans les systèmes précédemment mentionnés
    - Soupapes et interrupteurs de dépression, de température, de position, à délai critique
    - Connecteurs et dispositifs
2. Durée de la couverture  
B&S garantit au propriétaire initial et à tous les acheteurs ultérieurs que les pièces garanties seront libres de tout défaut de matériel et de main d'œuvre qui pourrait entraîner la défectuosité des pièces garanties, et ce, pour une période de deux ans à compter de la date de livraison du moteur à un acheteur au détail.
  3. Aucun frais  
La réparation ou le remplacement de toute pièce garantie s'effectuera sans frais pour le propriétaire, y compris la main d'œuvre reliée au diagnostic concluant qu'une pièce garantie est effectivement défectueuse, si le diagnostic est effectué chez un distributeur de service B&S approuvé. Pour obtenir des services en vertu de la garantie sur les émissions, veuillez appeler le distributeur de service autorisé de B&S le plus près de chez vous. Vous le trouverez dans les "Pages Jaunes" sous "Moteurs, essence", "Essence, moteurs", "Tondeuses à gazon" ou une catégorie similaire.
  4. Réclamations et exclusions de couverture  
Les réclamations au titre de la garantie doivent être présentées conformément aux dispositions de la politique de garantie du moteur de B&S. La couverture de garantie n'englobe pas les défectuosités sur des pièces garanties qui ne sont pas les pièces originales de B&S ou les défectuosités reliées à un abus, de la négligence ou un entretien inapproprié tel que détaillé dans la politique de garantie du moteur de B&S. B&S n'a pas la responsabilité de couvrir les défectuosités des pièces garanties causées par l'utilisation de pièces ajoutées, non originales ou modifiées.
  5. Entretien  
Toute pièce garantie dont le remplacement n'est pas prévu dans l'entretien requis, ou qui ne doit faire l'objet que d'une inspection régulière et qu'il ne faut que "réparer ou remplacer au besoin", est garantie contre les défectuosités pour la durée de la période de garantie. Toute pièce garantie dont le remplacement fait partie de l'entretien requis est garantie contre les défauts seulement pour la période se terminant au premier remplacement prévu de ladite pièce. Toute pièce de rechange dont la performance et la durabilité sont équivalentes peut être utilisée pour l'entretien ou les réparations. Le propriétaire est responsable de l'exécution de l'entretien requis, indiqué dans le manuel d'utilisation de B&S.
  6. Couverture indirecte  
La couverture prévue aux présentes englobe toute défectuosité de l'un des composants du moteur causée à la suite d'une défectuosité d'une des pièces garanties encore couverte par la garantie.

## GARANTIE DU PROPRIÉTAIRE D'UN COMPRESSEUR D'AIR DE BRIGGS & STRATTON POWER PRODUCTS GROUP, LLC

À partir du 1er octobre 2005, la présente garantie remplace toute garantie non datée et toute garantie dont la date est antérieure au 1er octobre 2005

### GARANTIE LIMITÉE

Briggs & Stratton Power Products Group, LLC réparera ou remplacera, sans frais, toutes pièces défectueuses du compresseur d'air comportant un vice de matériau ou un défaut de fabrication ou les deux. En vertu de la présente garantie, les frais de transport des produits soumis pour réparation ou remplacement sont à la charge de l'acheteur. La présente garantie sera en vigueur durant les périodes stipulées ci-dessous et est assujettie aux conditions stipulées ci-dessous. Pour obtenir des services en vertu de la garantie, veuillez consulter notre Outil de recherche d'un Service après-vente agréé au <http://www.briggspowerproducts.com> afin de trouver un distributeur de service après-vente agréé dans votre région.

IL N'EXISTE AUCUNE AUTRE GARANTIE EXPRESSE. LES GARANTIES IMPLICITES, INCLUANT CELLES DE QUALITÉ MARCHANDE ET D'ADAPTATION À UN USAGE PARTICULIER, SONT LIMITÉES À UNE PÉRIODE D'UN AN À PARTIR DE LA DATE D'ACHAT OU JUSQU'À LA LIMITE PERMISE PAR LA LOI, TOUTE GARANTIE IMPLICITE EST EXCLUE. LA RESPONSABILITÉ POUR DOMMAGES ACCESSOIRES OU INDIRECTS EST EXCLUE DANS LA MESURE OÙ UNE TELLE EXCLUSION EST PERMISE PAR LA LOI. Certains États/provinces ou pays n'autorisent aucune restriction sur la durée d'une garantie implicite, et certains États/provinces ou pays n'autorisent pas l'exclusion ou la limitation des dommages consécutifs ou indirects. Par conséquent, les restrictions et exclusions décrites ci-dessus pourraient ne pas s'appliquer dans votre cas. La présente garantie vous accorde certains droits légaux spécifiques et vous pourriez également en avoir d'autres, qui peuvent varier d'un État ou d'une province à l'autre et d'un pays à l'autre.

### PÉRIODE DE GARANTIE

Usage par un consommateur	2 ans
Usage à des fins commerciales	90 jours

La période de garantie débute à la date d'achat par le premier acheteur au détail ou par le premier utilisateur commercial final, et se prolonge pour la durée stipulée ci-dessus. "Usage par un consommateur" signifie utilisation domestique personnelle dans une résidence, par l'acheteur au détail. "Usage à des fins commerciales" signifie toute autre utilisation, y compris à des fins commerciales, générant de revenus ou de location. Aux fins de la présente garantie, dès qu'un équipement a été utilisé commercialement une fois, il est par la suite considéré comme étant d'usage à des fins commerciales.

POUR EXERCER LA GARANTIE SUR TOUT PRODUIT FABRIQUÉ PAR BRIGGS & STRATTON, IL N'EST PAS NÉCESSAIRE DE L'ENREGISTRER. CONSERVEZ LE REÇU COMME PREUVE D'ACHAT. SI, LORS D'UNE RÉCLAMATION DE GARANTIE, VOUS NE POUVEZ PROUVER LA DATE INITIALE DE L'ACHAT, NOUS UTILISERONS LA DATE DE FABRICATION DU PRODUIT COMME DATE DE RÉFÉRENCE POUR DÉTERMINER LA PÉRIODE DE GARANTIE.

### À PROPOS DE LA GARANTIE

Nous acceptons de faire effectuer les réparations couvertes par la garantie et tenons à nous excuser pour tout inconvénient subi. Tout agent d'un service après-vente agréé peut exécuter les réparations couvertes par la garantie. La plupart des réparations couvertes par la garantie sont traitées automatiquement; cependant, il arrive parfois que les demandes de service en vertu de la garantie soient non fondées. Par exemple, la garantie ne couvre pas les dommages causés à l'équipement par une utilisation abusive, par un manque d'entretien périodique, durant l'expédition, la manutention ou l'entreposage, ou en raison d'une installation inadéquate. De même, la garantie sera annulée si la date de fabrication ou le numéro de série apposé sur le compresseur d'air a été enlevé ou si l'équipement a été changé ou modifié. Durant la période de garantie, le distributeur de service après-vente agréé réparera ou remplacera, à son gré, toute pièce qui, après examen, est trouvée défectueuse à la suite d'une utilisation et d'un entretien normaux. La présente garantie ne couvre pas les réparations et les équipements suivants:

- **Usure normale:** Comme tout autre dispositif mécanique, les groupes électrogènes d'extérieur nécessitent l'entretien périodique de certaines pièces pour fonctionner adéquatement. La présente garantie ne couvre pas les frais de réparation des pièces ou des équipements dont la durée de vie utile a été dépassée à la suite d'une utilisation normale.
- **Installation et entretien:** La présente garantie ne couvre pas les équipements ou les pièces qui ont fait l'objet d'une installation ou de modifications et de changements inadéquats ou non autorisés, d'une mauvaise utilisation, de négligence, d'un accident, d'une surcharge, d'emballage, d'entretien inadéquat, de réparation ou d'entreposage qui, selon nous, auraient nui à la performance et à la fiabilité du produit. De plus, la garantie ne couvre pas l'entretien normal tel que les filtres à air, les réglages et ainsi de suite.
- **Exclusions supplémentaires:** La présente garantie exclut les pièces qui s'usent tels que les joints d'étanchéité et les joints toriques, etc. La présente garantie exclut également les compresseurs d'air ayant fonctionné sans huile, soumise au gel avec de l'eau dans le ou les réservoirs. Ce compresseur d'air est garanti pour une utilisation intermittente et ne doit pas être soumis à une utilisation continue. Les pièces accessoires telles que les boyaux d'air ou les outils pneumatiques non fournis avec le compresseur ne sont pas couverts par la garantie du produit. Cette garantie exclut toute défaillance due à une catastrophe naturelle ou à toute autre force majeure hors du contrôle du fabricant.

BRIGGS & STRATTON POWER PRODUCTS GROUP, LLC  
JEFFERSON, WI, USA

198183-F, Rev 2, 11/21/05

## CONSERVE ESTAS INSTRUCCIONES

### TABLA DE CONTENIDO

Normas de seguridad.....	54-57
Montaje.....	58-59
Características y mandos.....	60
Funcionamiento.....	61-64
Especificaciones.....	65
Mantenimiento.....	66-72
Almacenamiento.....	72-73
Resolución de problemas.....	74-75
Glosario.....	76
Notas.....	77
Información sobre emisiones.....	78
Garantía de control de emisiones.....	79
Garantía.....	80
Inglés.....	2-27
Français.....	28-53

### DESCRIPCIÓN DEL EQUIPO

Este manual contiene información de uso y mantenimiento de un compresor de aire de una etapa que genera 11,0 CFM a 40 PSI (2,8 bar) y 9,0 CFM a 90 PSI (6,2 bar) con un motor de combustión interna de 6,5 CV. Es un sistema de alta calidad que incluye una bomba de accionamiento por correa lubricada por aceite con carcasa de fundición, una válvula de arranque progresivo y dos salidas de aire.

Se ha realizado el máximo esfuerzo para reunir en este manual la información más precisa y actualizada. No obstante, nos reservamos el derecho de modificar, alterar o mejorar de cualquier otra forma el producto y este documento en cualquier momento y sin previo aviso.

El sistema de control de emisiones de este compresor de aire está garantizado conforme a las normas definidas por la Agencia de protección del medioambiente y el Consejo de recursos de aire de California.

### Usos

Este compresor de aire se ha diseñado para suministrar un volumen adecuado de aire comprimido que permite utilizar una variedad de herramientas neumáticas ligeras (molinillos manuales, clavadoras, trinquetes o grapadoras), equipos de pulverización e infladores que necesiten un caudal de aire inferior a 9,0 CFM. Este compresor sólo debe ponerse en funcionamiento con un rango de temperatura ambiente desde los 32° a los 95°F (0° a + 35°C). Este compresor sólo debe funcionar en una superficie nivelada para evitar problemas de lubricación. El compresor se ha diseñado para funcionar a plena carga un máximo del 70% de cada hora.

Este compresor de aire no está destinado para su uso en equipos móviles o en aplicaciones marítimas.

### NORMAS DE SEGURIDAD



Éste es el símbolo de alerta de seguridad. Sirve para advertir al usuario de un posible riesgo para su integridad física. Siga todos los mensajes de seguridad que figuren después de este símbolo para evitar lesiones o incluso la muerte.

El símbolo de alerta de seguridad (▲) se utiliza con una palabra de señalización (PELIGRO, ADVERTENCIA, PRECAUCIÓN), una imagen y/o un mensaje de seguridad para advertir al usuario de un riesgo. PELIGRO indica un riesgo que, de no evitarse, provocará la muerte o lesiones de gravedad. ADVERTENCIA indica un riesgo que, de no evitarse, puede provocar la muerte o lesiones de gravedad. PRECAUCIÓN indica un riesgo que, de no evitarse, puede provocar lesiones moderadas. Cuando no se utiliza con el símbolo de alerta (▲) PRECAUCIÓN indica una situación que podría producir daños en el equipo. Siga en todo momento los mensajes de seguridad para evitar o reducir el riesgo de lesiones y de muerte.



#### ADVERTENCIA




Los gases de escape del motor de este producto contienen sustancias químicas declaradas cancerígenas y causantes de malformaciones y otros defectos de nacimiento por el estado de California (EE.UU.).

- Utilice este producto SÓLO a la intemperie.
- Evite que los gases de escape entren en un espacio cerrado a través de las ventanas, puertas, tomas de aire de ventilación u otras aberturas.
- NO utilice el compresor de aire en el interior de un edificio, recinto o espacio cerrado (por ejemplo, sótanos, garajes o lugares similares), aunque haya ventanas y puertas abiertas.


**Símbolos de peligro y sus significados**

 Inyección de aire	 Lea las instrucciones	 Aire comprimido
 Descarga eléctrica	 Explosión	 Fuego
 Objetos propulsados	 Superficie caliente	 Inhalación
 Retroceso	 Partes móviles	 Alto

**ADVERTENCIA**


 El motor en funcionamiento genera calor. La temperatura del silenciador y de las zonas cercanas puede alcanzar o superar los 65° C (150° F)

En caso de contacto, se pueden producir quemaduras graves.

 Los gases y el calor de escape pueden inflamar los materiales combustibles y las estructuras o dañar el depósito de combustible y provocar un incendio.


- NO toque las superficies calientes y evite los gases de escape a alta temperatura.
- Deje que el equipo se enfríe antes de tocarlo.
- Deje un espacio mínimo de 152,40 cm (5 pies) alrededor del compresor, incluida la parte superior.
- El Código de Normativa Federal (CFR, Título 36: Parques, Bosques y Propiedad Pública) obliga a instalar una pantalla apagachispas en los equipos con motor de combustión interno y a mantenerla en buenas condiciones de funcionamiento, conforme a la norma 5100-1C (o posterior) del Servicio Forestal de la USDA. En el Estado de California, la ley exige el uso de una pantalla apagachispas (Sección 4442 del Código de Recursos Públicos de California). En otros estados puede haber leyes similares en vigor.

**ADVERTENCIA**

 Si no se leen y siguen las instrucciones del manual, se pueden producir daños materiales, lesiones y / o incluso la muerte.

- Antes de utilizar el producto, lea este manual del operario y siga las normas de seguridad y las instrucciones de uso que se indican.
- Este manual debe estar a la disposición de todos los usuarios que utilicen el equipo.

**ADVERTENCIA**


 La corrosión interna y oculta del depósito puede provocar una explosión violenta con el resultado de lesiones y / o daños materiales de gravedad.


Si se supera la presión nominal de los acoplamientos o los elementos inflables, se pueden producir lesiones y / o daños materiales de gravedad.

La manipulación o retirada de la válvula de seguridad ASME puede provocar una explosión que puede causar lesiones o daños materiales de gravedad.

- VACÍE EL DEPÓSITO cada 4 horas de uso o una vez al día. Para ello, abra los grifos de vaciado e incline el compresor hasta eliminar el agua acumulada.
- NO haga ninguna modificación ni reparación del depósito.
- NO aplique una presión superior al límite nominal de los acoplamientos y elementos inflables.
- NO manipule ni retire la válvula de seguridad ASME. Revise la válvula de seguridad ASME tirando de su anilla antes de cada uso. La válvula de seguridad ASME se ha ajustado al taraje de máxima seguridad.

**ADVERTENCIA**

 La pulverización de líquidos inflamables o combustibles puede provocar fuego o una explosión.

 Cuando está en funcionamiento, el compresor produce chispas que pueden provocar la ignición de los vapores inflamables o combustibles.

- NO pulverice líquidos inflamables o combustibles si fuma, en espacios cerrados ni cerca de chispas, llamas, indicadores luminosos u otras fuentes de ignición.
- Pulverice en una zona abierta y bien ventilada, a una distancia mínima de 6,1 m (20 pies) del compresor y de otras fuentes de ignición.

## NORMAS DE SEGURIDAD

### ADVERTENCIA



La corriente de aire comprimido procedente de la manguera o del punto de vaciado del depósito puede provocar lesiones de los tejidos blandos en las partes expuestas de la piel y propulsar objetos, con el resultado de lesiones y / o daños materiales de gravedad.



- NO dirija la corriente de aire hacia usted mismo ni hacia otras personas.
- NO intente reparar las mangueras de aire.
- Utilice siempre gafas de seguridad con homologación ANSI Z87.1 y protecciones laterales.

### ADVERTENCIA



El arrancador y otras piezas rotativas pueden enredarse en las manos, el pelo, la ropa u otros accesorios.

- NO utilice la unidad sin sus tapas/guardas de protección o si éstas presentan daños.
- NUNCA coloque las manos ni ninguna otra parte del cuerpo en el interior de la unidad ni en las mangueras cuando el equipo esté en funcionamiento.
- NO utilice ropa suelta, joyas ni objetos que puedan quedar atrapados en las piezas rotativas.
- Recoja el pelo largo y quítese cualquier joya.

### ADVERTENCIA



El compresor de aire en funcionamiento produce monóxido de carbono, un gas venenoso, inodoro e incoloro.

La inhalación de monóxido de carbono puede provocar náuseas, desmayos o incluso la muerte.

- Utilice este producto SÓLO a la intemperie.
- Evite que los gases de escape entren en un espacio cerrado a través de las ventanas, puertas, tomas de aire de ventilación u otras aberturas.
- NO utilice el compresor de aire en el interior de un edificio, recinto o espacio cerrado (por ejemplo, sótanos, garajes o lugares similares), aunque haya ventanas y puertas abiertas.

### ADVERTENCIA



El aire comprimido no es respirable y puede provocar lesiones.

La inhalación o digestión de algunos disolventes y pinturas puede provocar náuseas, desmayos o envenenamientos.

- NO utilice aire comprimido para respirar.
- Utilice siempre un respirador NIOSH homologado para su aplicación cuando pulverice líquidos.
- Lea todas las instrucciones del respirador para comprobar si proporciona toda la protección necesaria para la inhalación de vapores nocivos.

### ADVERTENCIA



La temperatura de las piezas calientes y los gases de escape puede superar los 65° C (150 °F) y provocar quemaduras.

- NO toque las piezas calientes y EVITE los gases de escape a alta temperatura.
- Deje enfriar el compresor antes de cualquier operación de mantenimiento o reparación.

### ADVERTENCIA



El rápido repliegue del cable del arrancador (retroceso) impedirá que el usuario suelte el cable a tiempo y tirará de su mano y brazo hacia el motor.

Como resultado, podrían producirse fracturas, contusiones o esguinces.

- NUNCA tire de la cuerda del arrancador sin haber abierto previamente la válvula de arranque para eliminar la presión.
- Cuando arranque el motor, tire lentamente del cable hasta sentir una resistencia y, a continuación, tire rápidamente de él para evitar su retroceso.



## ADVERTENCIA



Las chispas involuntarias pueden provocar fuego o descargas eléctricas.



### CUANDO AJUSTE O REPARE EL COMPRESOR DE AIRE:

- Desconecte el cable de la bujía de ésta y colóquelo donde no pueda entrar en contacto con la bujía.

### CUANDO PRUEBE LA BUJÍA DEL MOTOR:

- Utilice un comprobador de bujías homologado.
- NO compruebe la chispa sin la bujía instalada.

## PRECAUCIÓN

Las velocidades de funcionamiento excesivamente altas aumentan el riesgo de lesiones y de daños en el compresor de aire.

Las velocidades excesivamente bajas incrementan la carga de trabajo.

- NO intente alterar la velocidad controlada.
- NO haga ninguna modificación en el compresor de aire.
- NO permita que personas no cualificadas o niños utilicen o reparen el compresor de aire.

## PRECAUCIÓN

Evite el contacto prolongado o repetido de la piel con el aceite usado del motor.

- El aceite usado del motor provoca cáncer de piel en determinados animales de laboratorio.
- Lave perfectamente las partes expuestas con jabón y agua.

## PRECAUCIÓN

La unidad puede sufrir daños graves si se utiliza con una cantidad insuficiente de aceite. Compruebe el nivel de aceite cada día o en cada uso.

- La garantía quedará anulada si se producen daños como consecuencia del incumplimiento de estas instrucciones.

## PRECAUCIÓN

Si no se siguen al pie de la letra las instrucciones de uso inicial, la unidad puede sufrir daños graves.

- Este procedimiento se debe realizar antes de poner el compresor en servicio y siempre que se cambie la válvula de retención o el conjunto de la bomba del compresor.

## ADVERTENCIA



El combustible y sus vapores son extremadamente inflamables y explosivos.



El fuego y las explosiones pueden causar quemaduras graves o incluso la muerte.

### CUANDO AÑADA COMBUSTIBLE O VACÍE EL DEPÓSITO

- **DETENGA** el motor del compresor y déjelo enfriar durante al menos 2 minutos antes de quitar el tapón de combustible. Afloje lentamente el tapón para eliminar la presión del depósito.
- Llene o vacíe el depósito de combustible a la intemperie.
- No llene el depósito en exceso. Deje espacio en el depósito para permitir la expansión del combustible.
- Mantenga el combustible alejado de chispas, llamas, indicadores luminosos, fuentes de calor y otras fuentes de ignición.
- No encienda cigarrillos ni fume.

### CUANDO PONGA EN FUNCIONAMIENTO EL EQUIPO

- Compruebe que la bujía, el silenciador, el tapón del depósito de combustible y el filtro de aire están instalados.
- NO arranque el motor sin la bujía instalada.
- Si se ha derramado combustible, espere a que se evapore antes de arrancar el motor.

### CUANDO UTILICE EL EQUIPO

- NO pulverice líquidos inflamables, como combustibles o aceites.
- Este compresor de aire no se puede utilizar en equipos móviles o en aplicaciones marítimas.
- NO incline el compresor de aire de forma que pueda derramarse el combustible.
- Coloque el compresor de aire en una posición estable, especialmente durante su transporte.
- NO coloque la palanca estranguladora en la posición **Estrangulamiento** para detener el motor.

### CUANDO TRANSPORTE O REPARE EL EQUIPO

- Transporte o repare el equipo con el depósito de combustible VACÍO o con la válvula de paso de combustible en la posición **OFF**.
- Desconecte el cable de la bujía.

### CUANDO GUARDE COMBUSTIBLE O EL EQUIPO CON COMBUSTIBLE EN EL DEPÓSITO

- Manténgalo alejado de calderas, estufas, calentadores de agua, secadoras de ropa y otros aparatos que utilicen indicadores luminosos u otras fuentes de ignición que pudieran inflamar los vapores de combustible.



## MONTAJE

### Contenido de la caja

- Compresor de aire
- Manual del operario
- Tapón de llenado de aceite

Si falta alguno de los componentes, llame a la línea de asistencia **1-800-743-4115**.

### El compresor estará preparado para funcionar cuando:

- Los niveles de aceite de la bomba y el motor están comprobados,
- Tapón del respirador del aceite del motor instalado,
- Haya finalizado el procedimiento de preparación para el uso inicial,
- El neumático se haya inflado correctamente a 36 psi (2,5 bar).

### Desembalaje

1. Corte las correas de la caja de cartón y deséchelas.
2. Retire la caja de la unidad.
3. Corte las correas del compresor y deséchelas.
4. Retire el compresor del pallet de transporte.

### También se recomienda utilizar:

- Gafas de seguridad (con homologación ANSI Z87.1 y protecciones laterales)
- Manguera de aire - 7,5 m (25 pies) y 14 mm (3/8 pulgadas) de diámetro
- Acoplamiento para conector rápido – Utilice acoplamientos para conector rápido de tipo I/M que puedan conectarse a una rosca NPT de 1/4 de pulgada
- Protección para los oídos (con homologación ANSI S3.19-1974) en entornos ruidosos
- Respirador (homologación NIOSH) en entornos con polvo

### Comprobación de los niveles de aceite del motor y la bomba

**¡PRECAUCIÓN!** Si intenta arrancar el compresor antes de llenarlo con el aceite recomendado, puede provocar una avería en la bomba y/o en el motor.

1. Coloque el compresor de aire en una superficie plana y nivelada.
2. Consulte “INSPECCION EL NIVEL DE ACEITE DEL MOTOR” en la página 68 para comprobar el nivel de aceite del motor.
3. Consulte “INSPECCION EL NIVEL DE ACEITE DE LA BOMBA” en la página 69 para comprobar el nivel de aceite de la bomba.

### Añadir combustible

**NOTA:** Este motor está certificado para funcionar con gasolina. Sistema de control de emisiones de gases de escape: EM (Modificaciones del motor).

#### **ADVERTENCIA**



El combustible y sus vapores son extremadamente inflamables y explosivos.



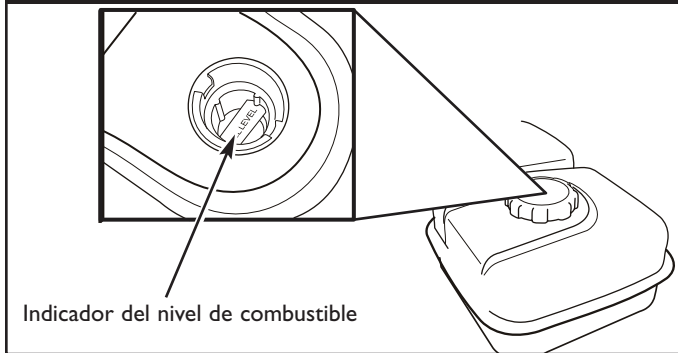
El fuego y las explosiones pueden causar quemaduras graves o incluso la muerte.

#### **CUANDO AÑADA COMBUSTIBLE**

- Pare el compresor y déjelo enfriar durante al menos 2 minutos antes de desmontar el tapón del combustible. Afloje lentamente el tapón para eliminar la presión del depósito.
  - Llene el depósito de combustible a la intemperie.
  - NO llene el depósito en exceso. Deje espacio en el depósito para permitir la expansión del combustible.
  - Mantenga el combustible alejado de chispas, llamas, indicadores luminosos, fuentes de calor y otras fuentes de ignición.
  - NO encienda cigarrillos ni fume.
1. Utilice gasolina normal SIN PLOMO, limpia y nueva con un mínimo de 85 octanos. NO utilice combustible que contenga metanol. NO mezcle aceite con combustible.
  2. Limpie la zona de alrededor del tapón de llenado de combustible y quite el tapón.

- Añada lentamente combustible en el depósito. Llene hasta el indicador rojo de nivel (consulte la Figura 45). No añada combustible en exceso en el depósito.

Figura 45 – Añadir combustible



- Vuelva a colocar el tapón y espere a que se evapore el combustible que se haya podido derramar.

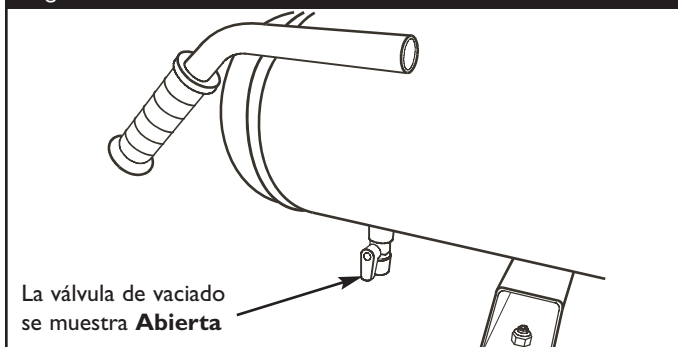
**¡PRECAUCIÓN!** Algunos combustibles llamados oxigenados o reformulados están mezclados con alcohol o éter. El exceso de este tipo de mezclas puede dañar el circuito de combustible y provocar otros problemas de funcionamiento. En caso de anomalías durante el funcionamiento, utilice un combustible con menor proporción de alcohol o éter.

El uso de combustible nuevo previene la formación de residuos en el circuito de combustible y en las piezas esenciales del carburador. Compre sólo cantidades de combustible que se vayan a gastar en 30 días.

### Instalación del tapón del respirador del aceite de la bomba

- Asegúrese de que el compresor está apoyado en una superficie plana y nivelada.
- Abra las válvulas de vaciado (gire a tope hacia la izquierda) para liberar la presión de aire residual acumulada en los depósitos de aire (consulte la Figura 46).

Figura 46 – Válvula de vaciado



### **PRECAUCIÓN**

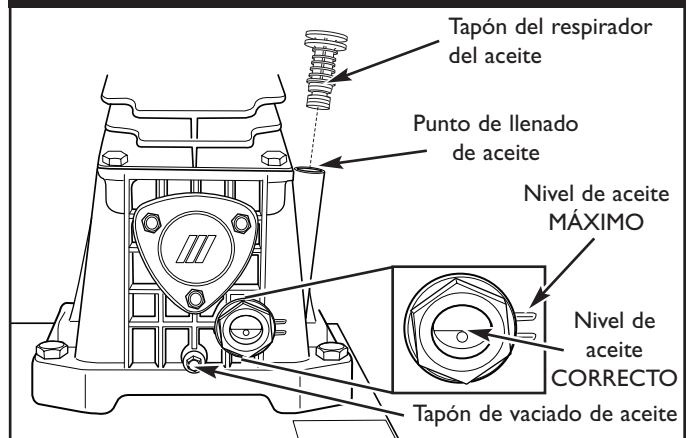


El aire comprimido residual de la bomba puede impulsar el aceite y provocar lesiones de los tejidos blandos en las partes expuestas de la piel o de los ojos, lo que puede resultar en daños de gravedad.

- Utilice siempre gafas de seguridad con homologación ANSI Z87.1 y protecciones laterales.

- Quite y deseche el tapón de transporte.
- Instale el tapón del respirador del aceite de la bomba en la abertura de llenado (consulte la Figura 47).

Figura 47 - Instalación del tapón del respirador del aceite de la bomba



### **PRECAUCIÓN**

La unidad puede sufrir daños graves si se utiliza con una cantidad insuficiente de aceite. Revise el nivel de aceite cada día o en cada uso.

- La garantía quedará anulada si se producen daños como consecuencia del incumplimiento de estas instrucciones.

- Limpie el aceite que se haya podido derramar.
- Cierre las válvulas de vaciado (gire a tope hacia la derecha) (consulte la Figura 46).

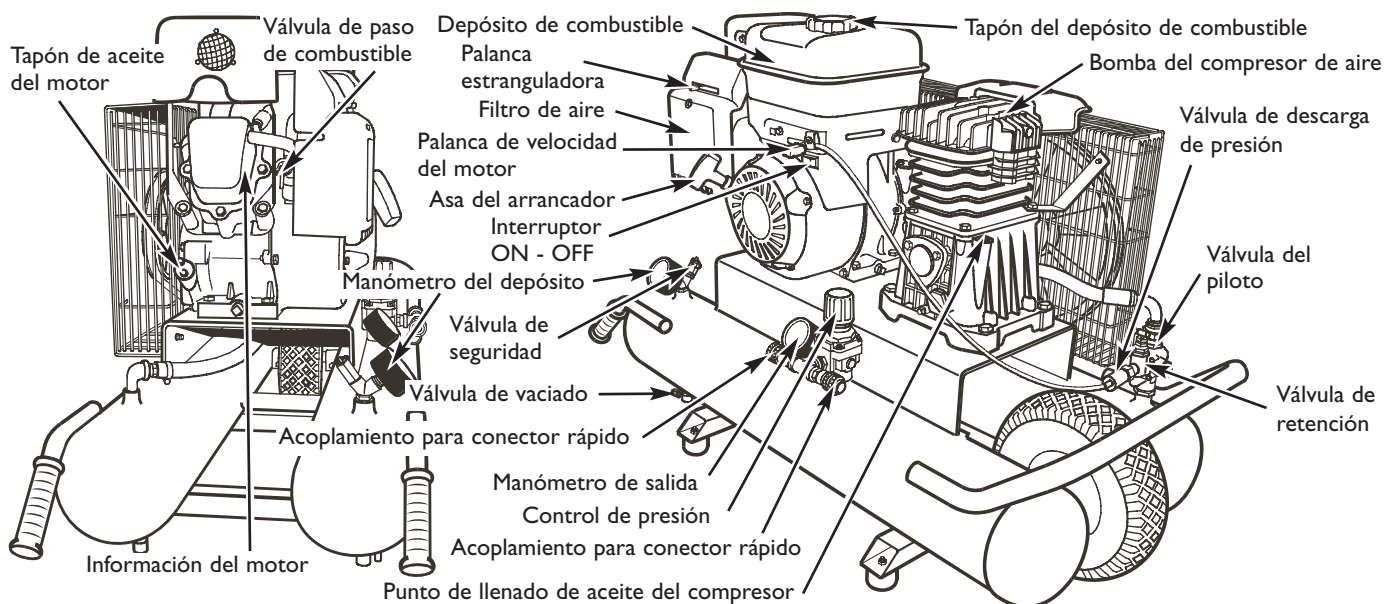
## CARACTERÍSTICAS Y MANDOS

### CARACTERÍSTICAS Y MANDOS



Lea este manual del operario y las normas de seguridad antes de utilizar el compresor.

Compare esta ilustración con el compresor de aire para familiarizarse con la situación de los distintos mandos y ajustes. Guarde este manual para futuras consultas.



**Filtro de aire:** Protege el motor filtrando el polvo y los residuos del aire de admisión.

**Bomba del compresor de aire:** La bomba comprime el aire en el depósito.

**Válvula de retención:** Cuando la unidad está en funcionamiento, la válvula de retención está "abierta" para permitir la entrada de aire en el depósito. Cuando se alcanza la presión de "corte", la válvula de retención se cierra e impide que el aire vuelva a la bomba. El usuario no puede reparar la válvula.

**Palanca estranguladora:** se utiliza para arrancar un motor en frío.

**Etiqueta de datos:**(no se muestra) La etiqueta de datos contiene los números de serie, modelo y versión.

**Válvula de vaciado:** Las válvulas están situadas cerca del fondo de cada depósito de aire en el extremo del asa y se utilizan para drenar la condensación.

**Información del motor:** Estampado en el lateral de la tapa de válvulas. Proporciona el modelo, el tipo y el número de reglaje del motor. Tenga esta información preparada si llama al servicio técnico.

**Palanca de velocidad del motor:** Permite regular la velocidad del motor para controlar el rendimiento de la bomba.

**Válvula de paso de combustible:** Permite abrir y cerrar la alimentación de combustible al motor.

**Depósito de combustible:** 3,78 l (1 galón EE.UU.) de capacidad.

**Tapón del depósito de combustible:** Se utiliza para revisar y llenar el depósito de gasolina.

**Tapón de aceite del motor:** Se utiliza para llenar el motor de aceite.

**Punto de llenado de aceite del compresor:** Se utiliza para llenar la bomba de aceite. La ventana de visualización de nivel de aceite indica el nivel de aceite de la bomba.

**Interruptor On/Off:** Sitúe el interruptor en la posición **ON** antes de utilizar el asa del arrancador. Sitúelo en la posición **OFF** para parar el motor.

**Manómetro de salida:** Indica la presión de aire en los acoplamientos para conector rápido.

**Control de presión:** Controla la presión de aire que se suministra a los acoplamientos para conector rápido; se puede sujetar con una arandela de retención.

**Válvula de descarga de presión:** Situada al lado de la válvula de retención, la válvula libera automáticamente aire de los componentes del compresor cuando se alcanza la presión de "corte" o cuando se desconecta la unidad. El usuario no puede reparar ni ajustar la válvula.

**Válvula del piloto:** Aumenta automáticamente la velocidad del motor cuando la presión del depósito cae por debajo de la presión de "arranque" y disminuye la velocidad hasta el ralentí cuando alcanza la presión de "corte". El usuario no puede reparar ni ajustar la válvula.

**Acoplamientos para conector rápido:** se utilizan para conectar las mangueras de aire.

**Válvula de seguridad:** La válvula protege contra el exceso de presión del tanque 'saltando' para liberar presión en caso de que se alcance el valor determinado en fábrica.

**Asa del arrancador:** Permite arrancar el motor.

**Manómetro del depósito:** El manómetro indica la presión de aire de los depósitos.

**NOTA:** Consulte las definiciones en el GLOSARIO, en la página 76.

## FUNCIONAMIENTO

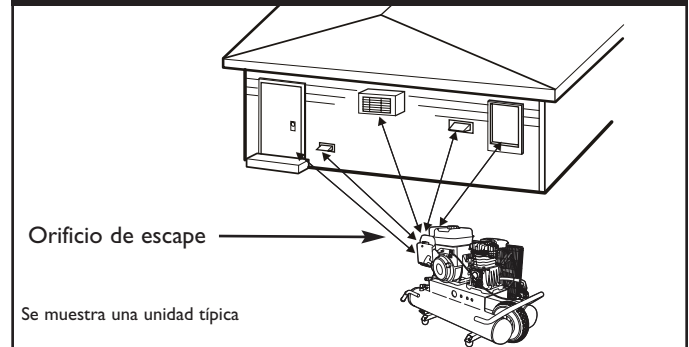
### Colocación del compresor de aire

Sítue el generador en una zona bien ventilada que permita la eliminación de los gases de escape mortales. **NO** instale el generador en lugares en los que los gases de escape se puedan acumular o entrar en un edificio que pueda estar ocupado. Asegúrese de que los gases de escape no puedan entrar por ventanas, puertas, tomas de aire de ventilación u otras aberturas en un espacio cerrado en el que puedan acumularse (Figura 48). Tenga en cuenta los vientos y las corrientes de aire preponderantes cuando elija la ubicación del generador.

La bomba del compresor de aire está diseñada para una refrigeración correcta. Las aberturas de ventilación del compresor son necesarias para mantener una temperatura adecuada. **NO** coloque trapos ni contenedores sobre las aberturas o cerca de las mismas. Mantenga el filtro de aire libre de toda obstrucción que reduzca el flujo de aire hacia el compresor.

**NO** instale el compresor de aire en lugares en los que los gases de escape se puedan acumular o entrar en un edificio que pueda estar ocupado. Asegúrese de que los gases de escape no puedan entrar por ventanas, puertas, tomas de aire de ventilación u otras aberturas en un espacio cerrado en el que puedan acumularse. Tenga en cuenta los vientos y las corrientes de aire preponderantes cuando elija la ubicación del compresor de aire (consulte la Figura 48).

Figura 48 — Ubicación del compresor de aire



Si tiene algún problema con el funcionamiento del compresor de aire, llame a la línea de asistencia **1-800-743-4115**. Si llama para solicitar ayuda, tenga a mano los números del modelo, de la versión y de la serie que aparecen en la etiqueta de datos (consulte la Página 74).

### Procedimiento de preparación para el uso inicial

Antes del primer uso del equipo, el sistema debe prepararse tal como se describe en esta sección.

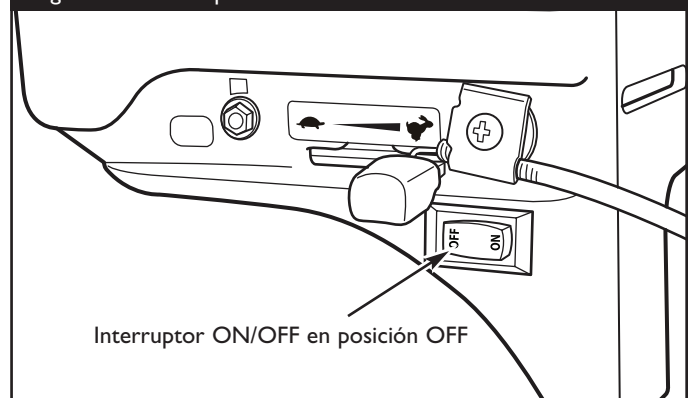
#### PRECAUCIÓN

Si no se siguen al pie de la letra las instrucciones de uso inicial, la unidad puede sufrir daños graves.

- Este procedimiento se debe realizar antes de poner el compresor en servicio y siempre que se cambie la válvula de retención o el conjunto de la bomba del compresor de aire.

- Asegúrese de que el interruptor **ON/OFF** del motor está en la posición **OFF** (consulte la Figura 49).

Figura 49 - Interruptor ON/OFF



#### ADVERTENCIA



El combustible y sus vapores son extremadamente inflamables y explosivos.



El fuego y las explosiones pueden causar quemaduras graves o incluso la muerte.

#### CUANDO UTILICE EL EQUIPO

- Este compresor de aire no se puede utilizar en equipos móviles o en aplicaciones marítimas.
- NO** incline el motor ni el equipo de forma que pueda derramarse el combustible.
- Coloque el compresor de aire en una posición estable y nivelada.

#### ADVERTENCIA



El compresor de aire en funcionamiento produce monóxido de carbono, un gas venenoso, inodoro e incoloro.

La inhalación de monóxido de carbono puede provocar náuseas, desmayos o incluso la muerte.

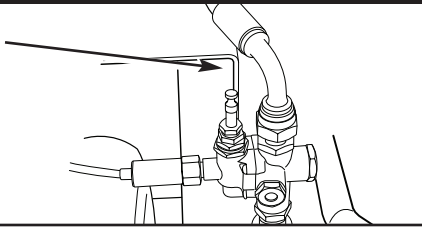
- Utilice este producto **SÓLO** a la intemperie.
- Evite que los gases de escape entren en un espacio cerrado a través de las ventanas, puertas, tomas de aire de ventilación u otras aberturas.
- NO** utilice el compresor de aire en el interior de un edificio, recinto o espacio cerrado (por ejemplo, sótanos, garajes o lugares similares), aunque haya ventanas y puertas abiertas.

## FUNCIONAMIENTO

- Abra las válvulas de arranque (gire a tope en vertical) y ambas válvulas de vaciado para evitar que se acumule presión de aire en los depósitos durante la preparación para el uso inicial (consulte la Figura 50).

Figura 50 –Válvula de arranque

La válvula de arranque se muestra **ABIERTA**



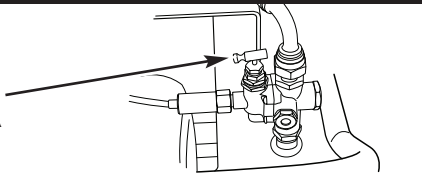
- Sitúe el interruptor **ON/OFF** del motor en la posición **ON**.
- Arranque el compresor tal como se describe en la sección **PUESTA EN MARCHA DEL COMPRESOR**.

**NOTA:** Si escucha una fuga de aire, tire hacia atrás del (de los) acoplador(es) para conector rápido hasta oír un clic con el objetivo de rearmar la válvula del acoplador.

- Deje funcionar el compresor durante 15 minutos. Asegúrese de que la válvula de arranque permanece abierta.
- Después de que el compresor de aire funcione durante 15 minutos, cierre la válvula de arranque (gire a tope en horizontal) (consulte la Figura 51) y ambas válvulas de vaciado. Los depósitos de aire se llenarán hasta alcanzar la presión de "corte" y la velocidad del motor disminuirá hasta el ralentí.

Figura 51 –Válvula de arranque

La válvula de arranque se muestra **CERRADA**



- Sitúe el interruptor **ON/OFF** del motor en la posición **OFF**.

**NOTA:** Revise el nivel de aceite del compresor y del motor después de la preparación para el uso inicial.

El compresor ha completado el procedimiento está preparado para funcionar normalmente.

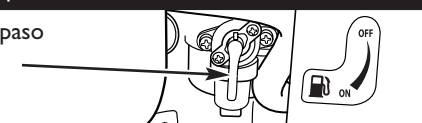
### Puesta en marcha del compresor de aire

Siga las siguientes instrucciones de puesta en marcha:

- Para evitar problemas de lubricación, utilice siempre la unidad en una superficie plana y nivelada.
- Mueva la palanca de la válvula de paso de combustible hasta posición **ON** (consulte la Figura 52).

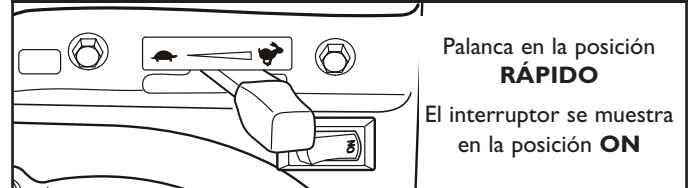
Figura 52 —Válvula de paso de combustible

Palanca de la válvula de paso de combustible en la posición **ON**



- Abra la válvula de arranque (gire a tope en vertical) (consulte la Figura 50).
- Sitúe el interruptor **ON/OFF** del motor en la posición **ON** (consulte la Figura 53).

Figura 53 — Interruptor **ON/OFF** y palanca de velocidad del motor



- Mueva la palanca de velocidad del motor hasta la posición **RÁPIDO** (↗) (consulte la Figura 53).
- Mueva la palanca estranguladora hasta posición **ESTRANGULAR** (|↘|) (consulte la Figura 54).

Figura 54 — Palanca estranguladora



- Sujete el asa del arrancador y tire lentamente hasta sentir una ligera resistencia. A continuación, tire rápidamente del asa para vencer la compresión, evitar el retroceso y arrancar el motor.

### ADVERTENCIA



El rápido repliegue del cable del arrancador (retroceso) impedirá que el usuario suelte el cable a tiempo y tirará de su mano y brazo hacia el motor.

Como resultado, podrían producirse fracturas, contusiones o esguinces.

- NUNCA** tire de la cuerda del arrancador sin haber abierto previamente la válvula de arranque para eliminar la presión.
- Cuando arranque el motor, tire lentamente del cable hasta sentir una resistencia y, a continuación, tire rápidamente de él para evitar su retroceso.

**IMPORTANTE:** Si el exceso de combustible en la mezcla de aire/combustible ahoga el motor, sitúe la palanca estranguladora en la posición **FUNCIONAMIENTO** (|↑|) y tire del asa repetidamente hasta que el motor arranque.

8. Mueva la palanca estranguladora hacia la posición **FUNCIONAMIENTO** (|↑|) a intervalos de segundos (clima cálido) o a intervalos de minutos (clima frío). Espere a que el motor funcione suavemente antes de cada cambio. Utilice la bomba con la palanca estranguladora en la posición **FUNCIONAMIENTO**.

## ⚠ ADVERTENCIA



El motor en funcionamiento genera calor. La temperatura del silenciador y de las zonas cercanas puede alcanzar o superar los 65° C (150° F)

En caso de contacto, se pueden producir quemaduras graves.

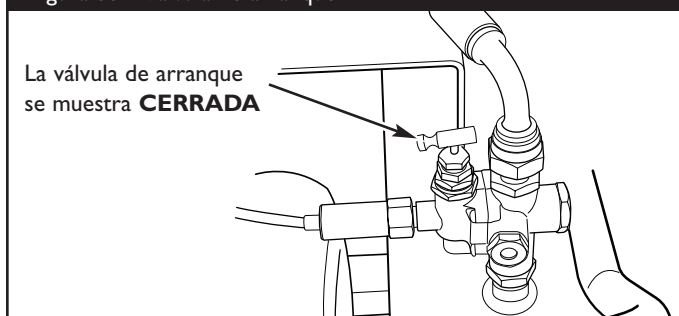


Los gases y el calor de escape pueden inflamar los materiales combustibles y las estructuras o dañar el depósito de combustible y provocar un incendio.

- NO toque las superficies calientes y evite los gases de escape a alta temperatura.
- Deje que el equipo se enfríe antes de tocarlo.
- Deje un espacio mínimo de 152,40 cm (5 pies) alrededor del compresor, incluida la parte superior.
- El Código de Normativa Federal (CFR, Título 36: Parques, Bosques y Propiedad Pública) obliga a instalar una pantalla apagachispas en los equipos con motor de combustión interno y a mantenerla en buenas condiciones de funcionamiento, conforme a la norma 5100-1C (o posterior) del Servicio Forestal de la USDA. En el Estado de California, la ley exige el uso de una pantalla apagachispas (Sección 4442 del Código de Recursos Públicos de California). En otros estados puede haber leyes similares en vigor.

9. Después de que el motor funcione durante 1 ó 2 minutos, cierre la válvula de arranque (gire a tope en horizontal) (consulte la Figura 55).

Figura 55 –Válvula de arranque



**NOTA:** Si el motor no se pone en marcha, consulte la sección **RESOLUCIÓN DE PROBLEMAS** de la página 74.

**NOTA:** Si escucha una fuga de aire, tire hacia atrás del acoplador para conector rápido hasta oír un clic a fin de rearmar la válvula del acoplador.

El compresor de aire es totalmente automático y se controla mediante la válvula del piloto. El compresor funciona hasta que la presión de los depósitos de aire alcanza la presión de “corte”, tras lo cual la velocidad del motor se reduce hasta alcanzar el ralentí. El compresor volverá a funcionar a velocidad normal cuando la presión de los depósitos de aire caiga por debajo de la presión de “arranque”. Consulte las definiciones en el Glosario de la página 76.

**NOTA:** Utilice siempre el compresor de aire en zonas bien ventiladas y libres de vapores de gasolina o de otros materiales inflamables o combustibles. Si el compresor se utiliza para pulverizar productos químicos volátiles (como la pintura), sitúe el compresor a una distancia mínima de 6,1 m (20 pies) del área de pulverización.

## Parada del compresor de aire

1. Sitúe el interruptor **ON/OFF** del motor en la posición **OFF** (consulte la Figura 53).



## PRECAUCIÓN

El motor podría petardear, incendiarse o dañarse.

- NO coloque la palanca estranguladora en la posición **Estrangulamiento** para detener el motor.
2. Mueva la palanca de la válvula de paso de combustible hasta posición **OFF** (consulte la Figura 52).
  3. Tire de la anilla de la válvula de seguridad para liberar la mayoría del aire comprimido del depósito. Suelte la anilla de la válvula.
  4. Abra las válvulas de vaciado para vaciar por completo los depósitos de aire.
- NOTA:** El compresor genera agua de condensación (condensado) que se acumula en los depósitos. Vacíe el agua de condensación cada 4 horas o una vez al día.
5. Cierre las válvulas de vaciado.

## Transporte

Asegúrese de que el compresor se transporta de forma segura y de que la unidad está colocada en una posición estable. NO mueva la unidad mientras el motor está funcionando.



## PRECAUCIÓN



La unidad es pesada. Tenga cuidado cuando levante o mueva la unidad.

Asegúrese de utilizar una base de transporte adecuada y tenga cuidado cuando desplace el compresor para que no se incline, se desequilibre o vierta combustible.

- Levante la unidad por las asas.
- Transporte SIEMPRE la unidad con el motor apagado, la bujía desconectada, el depósito de combustible vacío y la válvula de paso de combustible cerrada.
- Transporte, utilice y almacene SIEMPRE esta unidad en una superficie nivelada para evitar peligros derivados de la inclinación y problemas de lubricación.



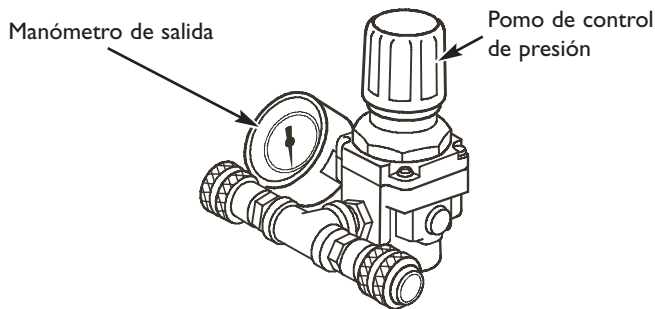
## FUNCIONAMIENTO

### Uso del compresor

No es necesario utilizar en todo momento la máxima presión de trabajo, ya que la herramienta neumática suelen necesitar una presión inferior. Las siguientes instrucciones explican cómo ajustar la presión del aire.

1. Con el motor del compresor de aire en funcionamiento y el depósito de aire presurizado, conecte la herramienta neumática o el accesorio al acoplador para conector rápido. Utilice las mangueras de aire y los acoplamientos recomendados.
2. Active la herramienta neumática, tire hacia afuera del pomo de control de presión y después gírelo hacia la derecha para aumentar la presión de salida (consulte la Figura 56).

Figura 56 – Control de presión



### ADVERTENCIA



Si se supera la presión nominal de los acoplamientos o los elementos inflables, se pueden producir lesiones y/o daños materiales de gravedad.

- NO aplique una presión superior al límite nominal de los acoplamientos y elementos inflables.

3. Observe el **MANÓMETRO DE PRESIÓN DE SALIDA** y ajuste la presión al valor recomendado para la herramienta.

**NOTA:** Debe ajustar la presión de salida con la herramienta activada o en funcionamiento.

4. Empuje el pomo de control de presión para bloquear el ajuste de presión seleccionado.
5. El compresor de aire permite conectar un máximo de dos mangueras de aire o herramientas neumáticas al mismo tiempo. Ambos recibirán aire comprimido a la misma presión de salida.

Adopte las siguientes precauciones de seguridad cuando utilice el compresor de aire:

### ADVERTENCIA



La temperatura de las piezas calientes y los gases de escape puede superar los 65° C (150 °F) y provocar quemaduras.

- NO toque las piezas calientes y EVITE los gases de escape a alta temperatura.
- Deje enfriar el compresor antes de cualquier operación de mantenimiento o reparación.

### ADVERTENCIA



La corriente de aire comprimido procedente de la manguera o del punto de vaciado del depósito puede provocar lesiones de los tejidos blandos en las partes expuestas de la piel y propulsar objetos, con el resultado de lesiones y / o daños materiales de gravedad.

- NO dirija la corriente de aire hacia usted mismo ni hacia otras personas.
- Utilice siempre gafas de seguridad con homologación ANSI Z87.1 y protecciones laterales.

### ADVERTENCIA



El aire comprimido no es respirable y puede provocar lesiones.

La inhalación o digestión de algunos disolventes y pinturas puede provocar náuseas, desmayos o envenenamientos.

- NO utilice aire comprimido para respirar.
- Utilice siempre un respirador NIOSH homologado para su aplicación cuando pulverice líquidos.
- Lea todas las instrucciones del respirador para comprobar si proporciona toda la protección necesaria para la inhalación de vapores nocivos.

### ADVERTENCIA



El arrancador, la polea, el volante, la correa y otras piezas rotativas pueden enredarse en las manos, el pelo, la ropa u otros accesorios.

- NO utilice la unidad sin sus tapas/guardas de protección o si éstas presentan daños.
- NUNCA coloque las manos ni ninguna otra parte del cuerpo en el interior de la unidad.
- NO utilice ropa suelta, joyas ni objetos que puedan quedar atrapados en las piezas rotativas.
- Recoja el pelo largo y quítese cualquier joya.

## ESPECIFICACIONES

Los compresores de aire del modelo 074002 están equipados con un motor de un solo cilindro, de válvula en cabeza (OHV) refrigerado por aire y de baja emisión.

En el Estado de California, estos motores de compresor de aire han obtenido la certificación del California Air Resources Board (Consejo de recursos de aire de California) por cumplir la normativa sobre emisiones durante 250 horas. Esta certificación no supone para el comprador, el propietario o el usuario ninguna garantía adicional en lo relativo al rendimiento y a la vida útil del motor. El motor está garantizado tal como se establece en las páginas 79 y 80.

### Potencia nominal

\* Los valores de potencia nominal de un modelo de motor se establecen en primer lugar con el código J1940 (Procedimiento de valoración de potencia y par de pequeños motores, Versión 2002-05) de la SAE (Society of Automotive Engineers, Sociedad de ingenieros de automoción). Dada la amplia variedad de productos que utilizan nuestros motores y la multitud de factores ambientales que pueden afectar a su funcionamiento, el motor que ha adquirido puede no llegar a desarrollar su potencia nominal cuando se utilice con un aparato mecánico (potencia real "in situ"). Esta diferencia se debe, entre otros, a los siguientes factores: diferencias de altitud, temperatura, presión barométrica, humedad, combustible, lubricación del motor, velocidad máxima controlada del motor, variaciones entre distintos motores del mismo modelo, diseño del equipo mecánico utilizado, manera de hacer funcionar el motor, rodaje del motor para reducir la fricción y limpiar las cámaras de combustión, ajustes de las válvulas y el carburador, etc. Los valores de potencia nominal también se pueden ajustar en función de las comparaciones con otros motores similares utilizados en aplicaciones similares, por lo que no coincidirá necesariamente con los valores que se obtienen al aplicar los códigos mencionados anteriormente.

### Especificaciones del producto

Potencia bruta\*: ..... 6,5 HP  
 Tipo de bomba: ..... Accionamiento por correa  
 Lubricante de bomba: ..... SAE 5W50 Sintético  
 Capacidad de aceite de la bomba: ..... 450 ml (15,2 oz.)  
 Salida de aire:  
     A 40 psi. .... 11,0 CFM  
     A 90 psi. .... 9,0 CFM  
 Valor de presión de arranque: ..... 116 psi (8,0 bar)  
 Valor de presión de corte: ..... 145 psi (10,0 bar)  
 Capacidad del depósito: ..... 30 l (8 galones)  
 Tipo de depósito: ..... Doble, Horizontal (Carretilla)  
 Tamaño recomendado de la  
 manguera de aire: ... 14 mm (3/8 de pulgada) de diámetro interior  
 Acoplamiento de aire: ..... NPT de 1/4 de pulgada  
 Tipo de acoplamiento para conector rápido: ..... I/M  
 Margen de temperatura  
 de funcionamiento: ..... 32° a 95°F (0° a + 35°C)  
 Presión de aire del neumático: ..... 36 psi (2,5 bar)  
 Peso con embalaje: ..... 65,3 kg (144 libras)

### Especificaciones del motor

Potencia\* bruta ..... 6,5 a 3600 rpm  
 Diámetro de camisa ..... 6,83 cm. (2,69 pulgadas)  
 Carrera ..... 5,58 cm. (2,2 pulgadas)  
 Cilindrada ..... 206 cc (12,57 pulgadas)  
 Bujía  
     Tipo: ..... Champion RC12YC o equivalente  
     Distancia entre electrodos ..... 0,76 mm (0,03 pulgadas)  
 Entrehierro del inducido: ... 0,25-0,36 mm (0,010-0,014 pulgadas)  
 Holgura de la válvula con muelles de válvula instalados y pistón de  
 6 mm (1/4 de pulgada) pasado el punto muerto superior de la  
 carrera de compresión (revisar con el motor en frío).  
 Admisión. .... 0,10-0,15 mm (0,004-0,006 pulgadas)  
 Escape. .... 0,23-0,28 mm (0,009-0,011 pulgadas)  
 Capacidad de combustible ..... 3,78 l (1 galón EE.UU.)  
 Capacidad de aceite del motor ..... 6 l (20 onzas)  
 Tipo de aceite de motor:  
     Por encima de 4,4 °C (40 °F) ..... SAE 30  
     Por debajo de 4,4 °C (40 °F) ..... SAE 5W-30 ó 10W-30

**NOTA:** Para que el rendimiento sea óptimo, la carga de potencia no debe superar el 85% de la potencia nominal. La potencia del motor se reducirá un 3,5% por cada 300 m (1.000 pies) de altitud sobre el nivel del mar y un 1% por cada 5,6° C (10° F) por encima de 25° C (77° F). El funcionamiento será satisfactorio hasta un ángulo de inclinación de 15°.

## MANTENIMIENTO

### MANTENIMIENTO

A fin de garantizar un funcionamiento eficaz del compresor de aire y de prolongar su vida útil, prepare y siga un programa de mantenimiento rutinario. La rutina que se describe en esta sección corresponde a un compresor de aire utilizado a diario en condiciones normales de trabajo. Si es necesario, modifique el programa para adaptarlo a las condiciones de trabajo de su compresor. Las modificaciones dependerán del número de horas de funcionamiento y del entorno de trabajo. Los compresores de aire

que funcionen en entornos hostiles o de gran suciedad precisarán revisiones más frecuentes.

**NOTA:** Consulte las secciones de CARACTERÍSTICAS Y MANDOS y de FUNCIONAMIENTO para conocer la ubicación de los mandos.

Observe los intervalos de horas o de calendario, los que sucedan antes:

Plan de mantenimiento	Intervalos de servicio				Fechas de mantenimiento	
	Diario	Semanal	Cada 50 horas o una vez al año	Cada 100 horas o una vez al año	Rellénelo a medida que lleve a cabo las operaciones de mantenimiento	
Tarea de mantenimiento						
Limpiar la unidad	X					
Inspeccionar la válvula de seguridad	X					
Inspeccionar los acoplamientos/válvulas	X					
Inspeccionar el nivel de aceite del motor	X					
Inspeccionar el nivel de la bomba de aceite		X				
Inspeccionar el filtro de aire del motor		X <sup>1</sup>				
Cambiar el aceite del motor			X <sup>2</sup>			
Limpiar la pantalla apagachispas			X			
Inspeccionar y limpiar el filtro de aire de la bomba			X			
Cambiar el aceite de la bomba				X <sup>3</sup>		
Revisar la bujía				X		
Inspeccionar las etiquetas de seguridad				X <sup>4</sup>		

- 1 Cambielo con más frecuencia en condiciones de suciedad o polvo.
- 2 Cambie el aceite tras las 5 primeras horas de funcionamiento, y después, cada 50 horas.
- 3 Cambie el aceite tras las 100 primeras horas de funcionamiento, y después, cada 300 horas.
- 4 Cambiar una vez al año, sustituir si es necesario.

## Recomendaciones generales

El mantenimiento periódico mejorará el rendimiento y prolongará la vida útil del compresor de aire.

La garantía del compresor de aire no cubre los elementos sujetos a un uso indebido o negligente por parte del operario. Para hacer valer la garantía, el usuario deberá mantener el compresor de aire conforme a las instrucciones de este manual.

Para mantener el compresor de aire en buen estado, será necesario realizar algunos ajustes periódicamente. Acuda a un distribuidor autorizado de Briggs & Stratton Power Products para reparar la unidad.

La totalidad de las reparaciones y los ajustes se deberán realizar al menos una vez al año. Siga los requisitos enumerados en el PLAN DE MANTENIMIENTO de la página 66.

**NOTA:** Limpie o cambie la bujía y cambie el filtro de aire de la bomba y del motor una vez al año. Una bujía nueva y un filtro de aire limpio aseguran la mezcla adecuada de combustible y aire y contribuyen a mejorar el rendimiento del motor y a prolongar su vida útil.

## Control de emisiones

Cualquier establecimiento o individuo especializado en la reparación de motores que no sean de automoción puede encargarse del mantenimiento, la sustitución y la reparación de los dispositivos y sistemas de control de emisiones. Consulte el SISTEMA DE CONTROL DE EMISIONES de la página 79.

## Mantenimiento

El mantenimiento consiste en mantener limpio el compresor de aire. Guarde la unidad en un espacio limpio y seco, sin exceso de polvo, suciedad, humedad o vapores corrosivos. Las ranuras del aire de refrigeración del motor del compresor de aire no deben quedar obstruidas por hojas ni por ningún otro tipo de suciedad o material.

**NOTA:** NO utilice una manguera de riego ni líquidos inflamables para limpiar el motor del compresor de aire. Podría entrar agua en el conducto de combustible del motor y causar problemas.

## Limpieza de la unidad

Para prolongar la vida útil del compresor, lleve a cabo estos pasos cada semana. Si el entorno de trabajo es particularmente sucio, limpie la unidad a diario.

### ⚠ ADVERTENCIA

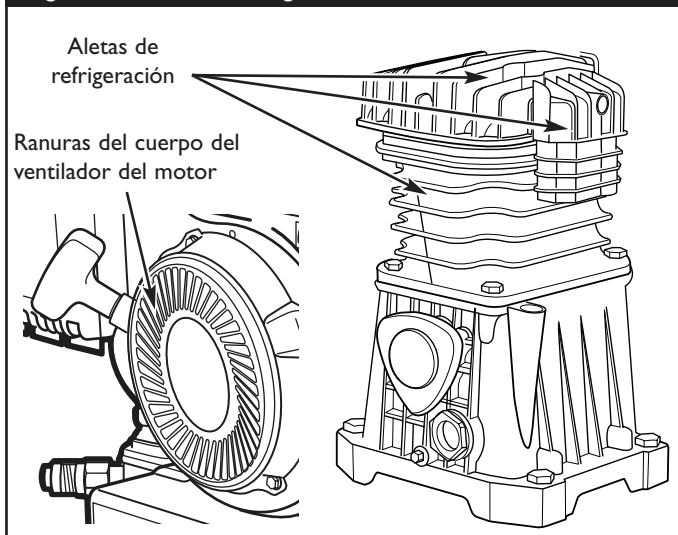


La temperatura de las piezas calientes y los gases de escape puede superar los 65° C (150 °F) y provocar quemaduras.

- NO toque las piezas calientes y EVITE los gases de escape a alta temperatura.
- Deje enfriar el compresor antes de cualquier operación de mantenimiento o reparación.

- I. Con la bujía desconectada, utilice un trapo suave y un cepillo pequeño para limpiar la suciedad y los residuos acumulados en los siguientes lugares:
  - Aletas de refrigeración situadas en la parte superior y en los laterales de la bomba del compresor de aire, y ranuras del cuerpo del ventilador del motor (consulte la Figura 57).

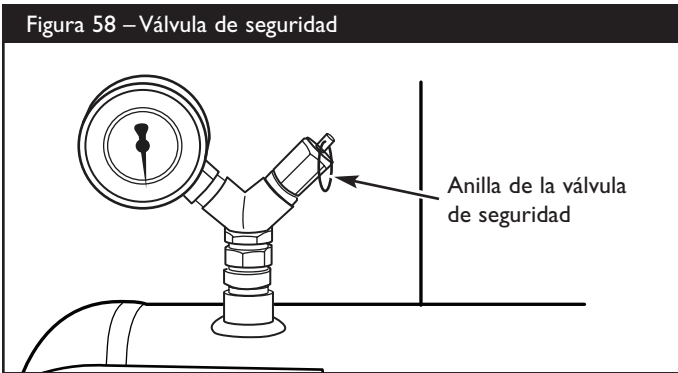
Figura 57 – Aletas de refrigeración



- Puntos de llenado de aceite y zonas adyacentes del cuerpo y del motor de la bomba del compresor de aire.
- Puntos de vaciado de aceite y zonas adyacentes del cuerpo y del motor de la bomba del compresor de aire.
- Pomo regulador de presión, manómetros, acoplamiento para conector rápido, válvulas de vaciado y válvula de seguridad.
- El interruptor **ON/OFF** del motor y la zona adyacente.
- Palanca estranguladora, palanca de velocidad del motor, palanca de la válvula de combustible y la zona adyacente del carburador.
- Bujía y zona adyacente.
- Válvula y disyuntor del piloto.
- Tapón del depósito de combustible y zona adyacente.

**Inspeccione la válvula de seguridad**

1. Tire de la anilla de la válvula de seguridad (consulte la Figura 58) y compruebe si la válvula funciona libremente.



2. Si la válvula queda pegada o no funciona con suavidad, se deberá reemplazar por otra nueva del mismo tipo. Lleve la unidad a un servicio técnico autorizado para repararla.

**Inspeccione los acoplamientos para conectores rápidos y las válvulas de vaciado del depósito**

1. Sitúe el interruptor **ON/OFF** del motor en la posición **OFF** (consulte la Figura 53).
2. Mueva la palanca de la válvula de paso de combustible hasta posición **OFF** (consulte la Figura 52).

**⚠ ADVERTENCIA**



La corriente de aire comprimido procedente de la manguera o del punto de vaciado del depósito puede provocar lesiones de los tejidos blandos en las partes expuestas de la piel y propulsar objetos, con el resultado de lesiones y / o daños materiales de gravedad.



- NO dirija la corriente de aire hacia usted mismo ni hacia otras personas.
- Utilice siempre gafas de seguridad con homologación ANSI Z87.1 y protecciones laterales.

3. Desconecte la(s) manguera(s), la(s) herramienta(s) neumática(s) o el accesorio de la unidad. Revise si los acoplamientos para conectores rápidos están limpios o dañados.
4. Tire de la anilla de la válvula de seguridad para reducir la presión de aire. Suelte la anilla de la válvula de seguridad.
5. Abra las válvulas de vaciado (gire a tope hacia la izquierda, consulte la Figura 46) y deje salir el agua acumulada. Las válvulas deben funcionar con suavidad en todo su margen.
6. Una vez eliminada el agua, cierre las válvulas de vaciado girando a tope a la derecha.

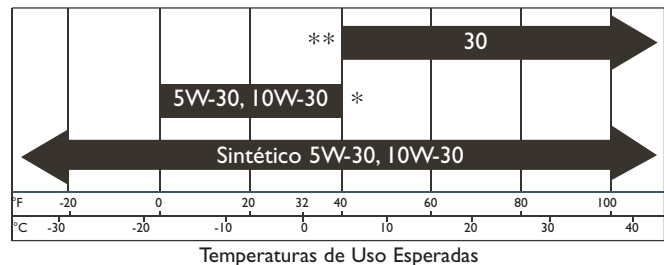
**NOTA:** Si las válvulas de vaciado están taponadas, tire de la anilla de la válvula de seguridad para eliminar todo el aire de los depósitos. Desmonte, limpie y vuelva a montar las válvulas de vaciado con sellador para rosca de tuberías.

**Inspeccione el nivel de aceite del motor**

**Recomendaciones sobre el aceite**

**NOTA:** Cuando añada aceite al cárter del motor, utilice sólo aceite detergente de alta calidad con clasificación de servicio API SF, SG, SH, SJ o superior. NO utilice aditivos especiales.

1. Elija una viscosidad conforme a la siguiente tabla:



\* El uso de aceites multiviscosidad (5W-30, 10W-30, etc.) a temperaturas superiores a 4°C (40°F) se traducirá en un consumo de aceite superior al normal. Si utiliza aceite multiviscosidad, compruebe el nivel con más frecuencia.

\*\* El uso de aceite SAE 30 a temperaturas inferiores a 4,4 °C (40 °F) provocará dificultades de arranque y posibles daños en el interior del motor debidos a la deficiente lubricación.

**NOTA:** Todo aceite sintético que cumpla las especificaciones ILSAC GF-2, con marca de certificación API y con símbolo de servicio API con “S/CF ENERGY CONSERVING” o superior es un aceite aceptable para su uso en todas las temperaturas. El uso de aceite sintético no altera los intervalos de cambio de aceite indicados.

**Inspección del nivel de aceite del motor**

Compruebe el nivel de aceite antes de cada uso o cada 8 horas de funcionamiento, como mínimo. Rellene si es necesario.

1. Asegúrese de que la unidad esté en una superficie nivelada.
2. Quite el tapón de llenado de aceite y límpielo con un trapo.
3. Compruebe que el aceite llega hasta el punto de desbordamiento en el orificio de llenado.

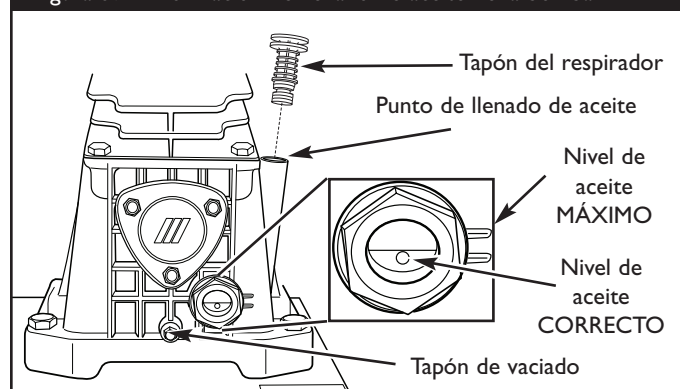
## Inspeccione el nivel de la bomba de aceite

### Inspección del nivel de la bomba de aceite

Siga estos pasos para revisar el nivel de aceite:

1. Sitúe el interruptor **ON/OFF** del motor en la posición **OFF** (consulte la Figura 53).
2. Mueva la palanca de la válvula de paso de combustible hasta posición **OFF** (consulte la Figura 52).
3. Coloque la unidad en una superficie plana y nivelada.
4. Observe cuidadosamente la ventana de visualización y compruebe si el nivel de aceite es correcto. (Consulte la Figura 59).

Figura 59 - Información de llenado de aceite de la bomba



5. Si el nivel del aceite de la bomba es insuficiente, añada el aceite recomendado hasta llegar al nivel correcto (consulte la Figura 59). Si el nivel supera el **MÁXIMO**, elimine el exceso tal como se indica en la página 71, **CAMBIO DEL ACEITE DE LA BOMBA**.

## Inspeccione el filtro de aire del motor

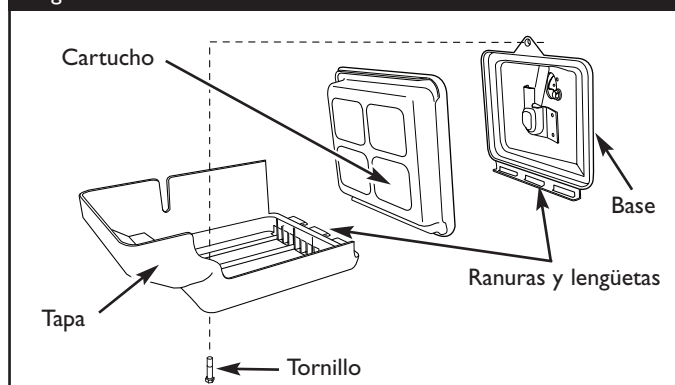
Si se utiliza con un filtro de aire sucio, el motor no funcionará correctamente y puede sufrir daños.

Cambie el filtro de aire cada 25 horas de funcionamiento o una vez al año, lo que suceda antes. Cambie el cartucho del filtro con más frecuencia si trabaja en zonas sucias o donde hay polvo.

Para revisar el filtro de aire, siga estos pasos:

1. Afloje y extraiga el tornillo. Incline la tapa hacia usted y levante las lengüetas fuera de las ranuras. (Consulte la Figura 60).

Figura 60 – Filtro de aire



2. Levante con cuidado el conjunto del cartucho del filtro de la base.
3. Instale un cartucho del filtro de aire limpio (o nuevo) en la base. Si dispone de un prefiltro, instálelo con las flechas hacia arriba y con el borde por debajo de los pliegues del cartucho.
4. Instale las lengüetas de la tapa en las ranuras de la base y coloque el borde de la tapa en su sitio.
5. Coloque el tornillo y apriételo.

## Cambio del aceite del motor

Cambie el aceite después de las 5 primeras horas de funcionamiento. Sucesivamente, cambie el aceite cada 50 horas. Si utiliza el compresor de aire en condiciones extremas de suciedad, polvo o calor, cambie el aceite con más frecuencia.

### PRECAUCIÓN

Evite el contacto prolongado o repetido de la piel con el aceite usado del motor.

- El aceite usado provoca cáncer de piel en determinados animales de laboratorio.
- Lave perfectamente las partes expuestas con jabón y agua.



MANTENER FUERA DEL ALCANCE DE LOS NIÑOS.  
NO CONTAMINE. CONSERVE LOS RECURSOS.  
DEPOSITE EL ACEITE USADO EN UN PUNTO DE RECOGIDA.

Cambie el aceite cuando el motor siga estando caliente después de haber funcionado:

1. Asegúrese de que la unidad esté en una superficie nivelada.
2. Desconecte el cable de la bujía de ésta y colóquelo donde no pueda entrar en contacto con la bujía.



## ⚠ ADVERTENCIA



Las chispas involuntarias pueden provocar fuego o descargas eléctricas.



### CUANDO AJUSTE O REPARE EL COMPRESOR DE AIRE:

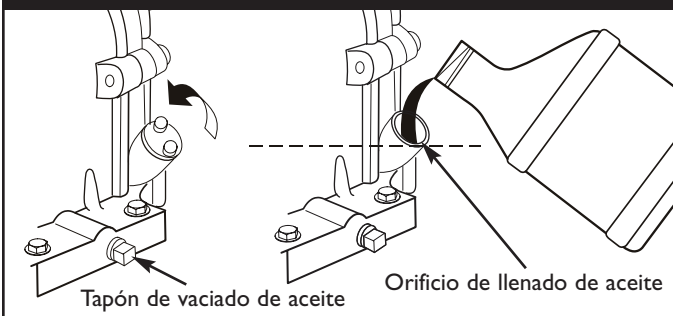
- Desconecte el cable de la bujía de ésta y colóquelo donde no pueda entrar en contacto con la bujía.

### CUANDO PRUEBE LA BUJÍA DEL MOTOR:

- Utilice un comprobador de bujías homologado.
- NO compruebe la chispa sin la bujía instalada.

3. Limpie la zona de alrededor del tapón de vaciado de aceite, situado en la base del motor, al otro lado del carburador (consulte la Figura 61).

Figura 61 — Tapón de vaciado de aceite y tapón de llenado de aceite del motor



4. Quite el tapón de llenado de aceite del motor y vacíe todo el aceite del motor en un recipiente adecuado.
5. Vuelva a colocar el tapón de vaciado de aceite del motor y apriételo bien. Quite el tapón de llenado de aceite.
6. Utilice un embudo y vierta lentamente el aceite (unos 0,6 litros o 20 onzas) por el orificio de llenado hasta el punto de desbordamiento del tapón de llenado (consulte la Figura 61). NO vierta aceite en exceso.
7. Vuelva a colocar el tapón de llenado de aceite. Apriételo firmemente a mano.
8. Limpie el aceite que se haya podido derramar. Deseche el aceite usado con arreglo a la normativa vigente.

## Limpieza de la pantalla apagachispas

El silenciador del escape del motor puede estar equipado con una pantalla apagachispas. Si es así, inspeccione y limpie la pantalla cada 50 horas de funcionamiento o una vez al año, lo que suceda primero.

Si utiliza el compresor de aire en un terreno boscoso, con maleza o cubierto de hierba, debe utilizar un apagachispas. El propietario y el usuario son responsables del buen estado del mismo.

## ⚠ ADVERTENCIA



El motor en funcionamiento genera calor. La temperatura del silenciador y de las zonas cercanas puede alcanzar o superar los 65° C (150° F)

En caso de contacto, se pueden producir quemaduras graves.



Los gases y el calor de escape pueden inflamar los materiales combustibles y las estructuras o dañar el depósito de combustible y provocar un incendio.

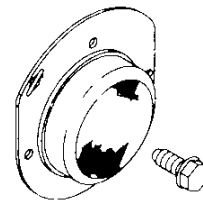
- NO toque las superficies calientes y evite los gases de escape a alta temperatura.
- Deje que el equipo se enfríe antes de tocarlo.
- Deje un espacio mínimo de 152,40 cm (5 pies) alrededor del compresor, incluida la parte superior.
- El Código de Normativa Federal (CFR, Título 36: Parques, Bosques y Propiedad Pública) obliga a instalar una pantalla apagachispas en los equipos con motor de combustión interno y a mantenerla en buenas condiciones de funcionamiento, conforme a la norma 5100-1C (o posterior) del Servicio Forestal de la USDA. En el Estado de California, la ley exige el uso de una pantalla apagachispas (Sección 4442 del Código de Recursos Públicos de California). En otros estados puede haber leyes similares en vigor.

Si el motor ha estado en funcionamiento, la temperatura del silenciador será muy elevada. Deje enfriar el silenciador antes de realizar ninguna operación en el apagachispas.

- Retire la pantalla del apagachispas para proceder a su limpieza e inspección (consulte la Figura 62) aflojando y retirando los tornillos del protector del silenciador utilizado para sujetar la pantalla.

Figura 62 - Apagachispas

Apagachispas de uso habitual



- Examine la pantalla y cámbiela si está rota o perforada o si presenta algún otro daño. NO utilice una pantalla que no esté en perfectas condiciones. Si la pantalla no presenta daños, límpiela con un disolvente comercial.
- Vuelva a montar la pantalla apagachispas en el silenciador instalando los tornillos en los orificios disponibles.

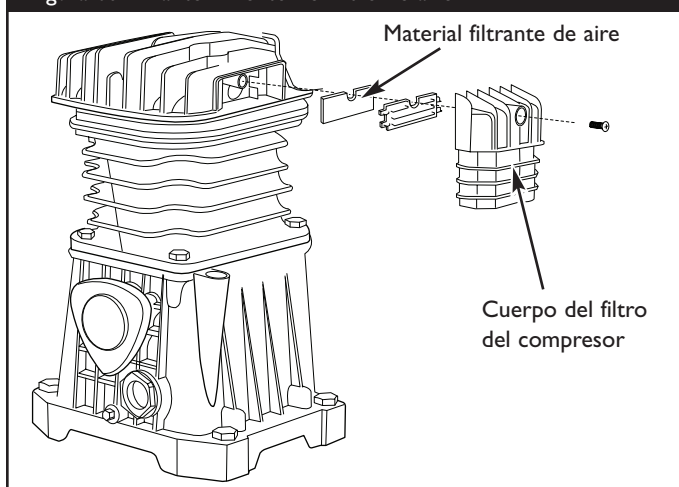
**NOTA:** Puede adquirir una nueva pantalla apagachispas llamando al 1-800-743-4115.

## Inspeccione/limpie el filtro de aire de la bomba

Siga estos pasos para revisar y limpiar el filtro de aire interno de la bomba del compresor.

1. Los depósitos de aire están completamente presurizados.
2. Sitúe el interruptor **ON/OFF** del motor en la posición **OFF** (consulte la Figura 53).
3. Mueva la palanca de la válvula de paso de combustible hasta posición **OFF** (consulte la Figura 52).
4. Utilice un destornillador de estrella para quitar el tornillo que sujeta la tapa del filtro de aire y retire la tapa (consulte la Figura 63).

Figura 63 - Mantenimiento del filtro de aire



5. Retire el material filtrante.

**IMPORTANTE:** NO utilice el compresor sin el filtro de aire instalado.

6. Si el material filtrante está sucio, elimine la suciedad con aire comprimido a baja presión (que no excede los 25 psi). Sople también los residuos depositados en la tapa del filtro de aire y en el cuerpo del filtro (consulte la Figura 63).

**NOTA:** NO utilice disolventes líquidos para limpiar el material filtrante.

7. Vuelva a colocar el filtro de aire en el cuerpo del filtro.
8. Coloque la tapa del filtro sobre el material filtrante de aire. Utilice un destornillador de estrella para fijar la tapa con el tornillo.

**NOTA:** Sustituya el elemento filtrante de aire si está muy sucio.

## Cambio del aceite de la bomba

Siga estos pasos cuando llegue el momento recomendado de cambiar el aceite:

1. Sitúe el interruptor **ON/OFF** del motor en la posición **OFF** (consulte la Figura 53).
2. Mueva la palanca de la válvula de paso de combustible hasta posición **OFF** (consulte la Figura 52).
3. Coloque la unidad en una superficie plana y nivelada.

### ⚠ ADVERTENCIA



La temperatura de las piezas calientes y los gases de escape puede superar los 65° C (150 °F) y provocar quemaduras.

- NO toque las piezas calientes y EVITE los gases de escape a alta temperatura.
- Deje enfriar el compresor antes de cualquier operación de mantenimiento o reparación.

4. Quite el tapón del respirador del aceite del orificio de llenado de aceite.

### ⚠ PRECAUCIÓN

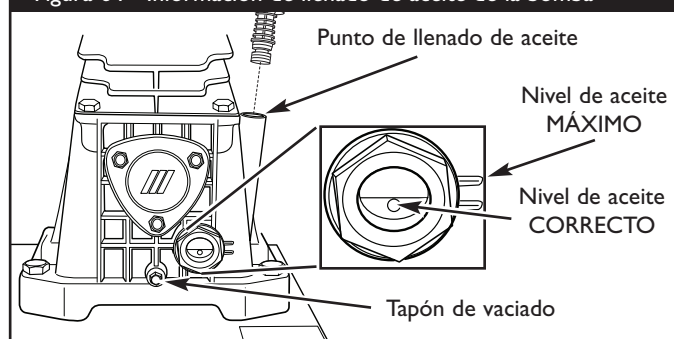


El aire comprimido residual de la bomba puede impulsar el aceite y provocar lesiones de los tejidos blandos en las partes expuestas de la piel o de los ojos, lo que puede resultar en daños de gravedad.

- Utilice siempre gafas de seguridad con homologación ANSI Z87.1 y protecciones laterales.

5. Coloque un recipiente adecuado bajo el tapón de vaciado para recoger el aceite.
6. Utilice una llave ajustable para quitar el tapón de vaciado.
7. Vacíe todo el aceite en el recipiente. Coloque el tapón de vaciado y apriételo con la llave ajustable. Deseche el aceite usado con arreglo a la normativa vigente.
8. Con la ayuda de un embudo, añada lentamente el aceite recomendado. Revise con frecuencia el nivel de aceite por la ventana de visualización para no llenar en exceso la bomba del compresor de aire (consulte la Figura 64).

Figura 64 - Información de llenado de aceite de la bomba



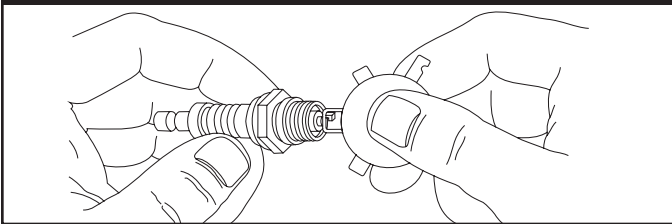
9. Una vez alcanzado el nivel de aceite adecuado, vuelva a instalar el tapón del respirador del aceite y limpie el aceite que se haya podido derramar.

### Revisión de la bujía

Cambie la bujía cada 100 horas de funcionamiento o una vez al año, lo que suceda antes. Esta operación hará que el motor arranque más fácilmente y funcione mejor.

1. Limpie la zona de alrededor de la bujía.
2. Retire e inspeccione la bujía.
3. Revise la distancia entre electrodos con un calibre y, si es necesario, cámbiela a 0,76 mm (0,03 pulgadas) (consulte la Figura 65).

Figura 65 — Bujía



4. Cambie la bujía si los electrodos están picados o quemados o si la porcelana está agrietada. Utilice la bujía de repuesto recomendada (consulte la Página 65).
5. Instale la bujía y apriete firmemente.

### Inspección de las etiquetas de seguridad

Siempre que lo desee, y al menos una vez al año, examine todas las etiquetas del compresor de aire. Todas ellas deben estar en su sitio y ser legibles. Si no fuera el caso, puede conseguir etiquetas de repuesto en los centros de servicio autorizados o llamando a la línea de asistencia **1-800-743-4115**.

### ALMACENAMIENTO

El compresor de aire debe funcionar durante un mínimo de 30 minutos cada siete días, como mínimo. Si esta operación no es posible y necesita almacenar la unidad durante más de 30 días, utilice la siguiente información para prepararla.

Antes de guardar el compresor de aire, asegúrese de seguir estos pasos:

1. Consulte la sección MANTENIMIENTO, que comienza en la página 66, y lleve a cabo las operaciones de mantenimiento necesarias.
2. Sitúe el interruptor **ON/OFF** del motor en la posición **OFF** (consulte la Figura 53).
3. Mueva la palanca de la válvula de paso de combustible hasta la posición **OFF** (consulte la Figura 52).
4. Gire el pomo de control de presión hacia la izquierda hasta sentir que gira libremente.
5. Desconecte la(s) manguera(s), la(s) herramienta(s) neumática(s) o los accesorios.
6. Tire de la anilla de la válvula de seguridad y elimine aire de los depósitos para reducir la presión. Suelte la anilla de la válvula de seguridad.
7. Vacíe todo el aire y el agua de condensación de los depósitos abriendo las válvulas de vaciado a tope, hacia la izquierda.
8. Sacuda suavemente la unidad hacia los lados o hacia delante y hacia atrás para agitar el condensado a medida que se vacía para conseguir un vaciado más completo.
9. Una vez eliminado el condensado, cierre las válvulas de vaciado girando a tope a la derecha.
10. Proteja la(s) manguera(s) de aire (por ejemplo, evite que se puedan pisar).

### Instrucciones de almacenamiento a largo plazo

Durante el almacenamiento, es importante evitar la formación de residuos en los componentes esenciales del circuito de combustible: carburador, filtro de combustible, manguera de combustible y depósitos. La experiencia también indica que los combustibles con mezcla de alcohol (gasohol, etanol o metanol) pueden atraer la humedad y provocar la separación y formación de ácidos durante el almacenamiento. Los combustibles ácidos pueden dañar el circuito de combustible y el motor durante el almacenamiento.




#### Aditivo para el combustible

Si utiliza un aditivo para el combustible, llene el depósito de combustible con combustible nuevo. Si sólo lo llena parcialmente, el aire contenido en el depósito de combustible favorecerá el deterioro del combustible durante el almacenamiento. El motor y el combustible se pueden almacenar hasta 24 meses con aditivo.

- Agregue aditivo para el combustible conforme a las instrucciones del fabricante.

- Haga funcionar el motor a la intemperie durante 30 segundos para asegurarse de eliminar el combustible no tratado del carburador y sustituirlo por combustible tratado.

Si no se utiliza aditivo para combustible, vacíe el depósito de combustible y haga funcionar el motor hasta que se agote el combustible restante.




 <b>ADVERTENCIA</b>	
	El combustible y sus vapores son extremadamente inflamables y explosivos.
	El fuego y las explosiones pueden causar quemaduras graves o incluso la muerte.
<b>CUANDO GUARDE COMBUSTIBLE O EL EQUIPO CON COMBUSTIBLE EN EL DEPÓSITO</b>	
<ul style="list-style-type: none"> <li>Manténgalo alejado de calderas, estufas, calentadores de agua, secadoras de ropa y otros aparatos que utilicen indicadores luminosos u otras fuentes de ignición que pudieran inflamar los vapores de combustible.</li> </ul>	
<b>CUANDO VACÍE EL COMBUSTIBLE</b>	
<ul style="list-style-type: none"> <li>Pare el compresor de aire y déjela enfriar durante al menos 2 minutos antes de quitar el tapón del depósito de combustible. Afloje lentamente el tapón para eliminar la presión del depósito.</li> <li>Vacíe el depósito de combustible a la intemperie.</li> <li>Mantenga el combustible alejado de chispas, llamas, indicadores luminosos, fuentes de calor y otras fuentes de ignición.</li> <li>NO encienda cigarrillos ni fume.</li> </ul>	

### Cambio de aceite

Vacíe el aceite del cárter cuando el motor aún esté caliente (consulte la Página 69). Vuelva a llenar el cárter con el aceite recomendado.



### Aceite en el interior del cilindro

- Quite la bujía y vierta aproximadamente 30 ml (1 onza) de aceite de motor limpio en el interior del cilindro.
- Coloque la bujía y tire lentamente del asa del arrancador para distribuir el aceite.

 <b>ADVERTENCIA</b>	
	Las chispas involuntarias pueden provocar fuego o descargas eléctricas.
	
<ul style="list-style-type: none"> <li>NUNCA tire del asa del arrancador cuando la bujía no esté instalada.</li> </ul>	

### Otras sugerencias para el almacenamiento

- NO guarde el combustible de una temporada para otra.
- Cambie el contenedor de combustible si éste empieza a oxidarse. El combustible contaminado provocará problemas en el motor.
- Si es posible, guarde la unidad en un espacio interior y protéjala del polvo y la suciedad. **ASEGÚRESE DE VACIAR EL DEPÓSITO DE COMBUSTIBLE.**
- Cubra la unidad con una funda adecuada que no retenga la humedad.

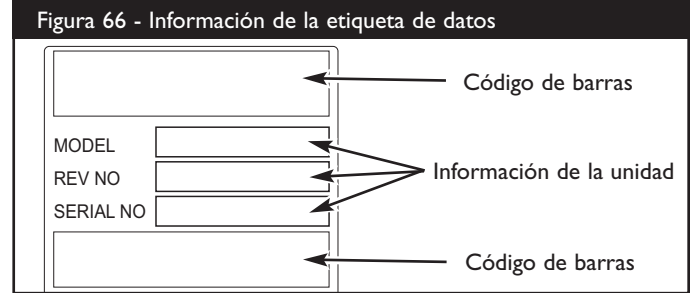
 <b>ADVERTENCIA</b>	
	Las fundas para almacenamiento pueden ser inflamables.
<ul style="list-style-type: none"> <li>NO cubra un compresor de aire caliente con una funda para almacenamiento.</li> <li>Deje enfriar el equipo durante el tiempo necesario antes de cubrirlo.</li> </ul>	

- Almacene el compresor de aire en una superficie nivelada de un espacio interior limpio, seco y libre de temperaturas bajas.

## RESOLUCIÓN DE PROBLEMAS

### Antes de llamar

En caso de que tenga problemas con el funcionamiento del compresor de aire, llame a la línea de asistencia del compresor de aire **1-800-743-4115**. Si llama para solicitar asistencia, tenga a mano el número de modelo, de versión y de serie que aparecen impresos en la etiqueta de datos. (Consulte la Figura 66).



PROBLEMA	MOTIVO	CORRECCIÓN
<b>Exceso de presión en el depósito – la válvula de seguridad se activa.</b>	El presostato no para el motor cuando el compresor alcanza la presión de “corte” o ésta está establecida a un nivel demasiado elevado.	Sitúe el interruptor <b>ON/OFF</b> del motor en la posición <b>OFF</b> . Póngase en contacto con un técnico cualificado.
<b>Pérdidas de aire</b>	<ol style="list-style-type: none"> <li>1. Acoplamiento para conector rápido roto o suelto.</li> <li>2. El asiento de la válvula de retención está sucio o dañado.</li> <li>3. La válvula de descarga de presión está defectuosa.</li> <li>4. El depósito de aire está dañado.</li> <li>5. Hay una fuga en la junta.</li> <li>6. El control de presión está dañado.</li> </ol>	<ol style="list-style-type: none"> <li>1. Apriete los acoplamientos para conector rápido en los que pueda escucharse la fuga de aire. Cambie los acoplamientos.</li> <li>2. Póngase en contacto con un técnico cualificado.</li> <li>3. Póngase en contacto con un técnico cualificado.</li> <li>4. Cambie el depósito de aire. <b>NO REPARE EL DEPÓSITO.</b></li> <li>5. Póngase en contacto con un técnico cualificado.</li> <li>6. Póngase en contacto con un técnico cualificado.</li> </ol>
<b>Golpeteo</b>	La válvula de seguridad está sucia o dañada.	Accione la válvula de seguridad manualmente tirando de la anilla. Si persiste la fuga en la válvula, deberá reemplazarla en un servicio técnico autorizado.

PROBLEMA	MOTIVO	CORRECCIÓN
<b>El compresor no suministra aire suficiente para accionar los accesorios.</b>	<ol style="list-style-type: none"> <li>1. Uso excesivamente prolongado del aire.</li> <li>2. La capacidad del compresor es insuficiente para generar el caudal de aire necesario.</li> <li>3. La manguera está perforada.</li> <li>4. La válvula de retención está obstruida o tiene fugas de aire.</li> <li>5. El filtro de entrada de aire está obstruido.</li> </ol>	<ol style="list-style-type: none"> <li>1. Reduzca la cantidad de aire utilizada.</li> <li>2. Compruebe los requisitos del accesorio. Si superan los CFM o la presión que suministra el compresor, necesitará una unidad de mayor capacidad.</li> <li>3. Inspecciónela y cámbiela si es necesario.</li> <li>4. Póngase en contacto con un técnico cualificado.</li> <li>5. Limpie o cambie el filtro de entrada de aire (consulte la página 71).</li> </ol>
<b>El motor no arranca, no tiene potencia, arranca y funciona irregularmente o la velocidad del motor varía constantemente.</b>	<ol style="list-style-type: none"> <li>1. El interruptor <b>ON/OFF</b> está situado en la posición <b>OFF</b>.</li> <li>2. La válvula de combustible está en la posición <b>OFF</b>.</li> <li>3. El filtro de aire está sucio.</li> <li>4. No queda combustible.</li> <li>5. El combustible está viejo, contaminado o contiene agua.</li> <li>6. El cable de la bujía no está conectado a ésta.</li> <li>7. Bujía en mal estado.</li> <li>8. El exceso de combustible en la mezcla de aire/combustible ahoga el motor.</li> <li>9. La mezcla de combustible es demasiado rica.</li> <li>10. Válvula de admisión atascada (abierta o cerrada).</li> <li>11. El motor ha perdido compresión.</li> <li>12. El carburador recibe una mezcla demasiado rica en gasolina o en aire.</li> </ol>	<ol style="list-style-type: none"> <li>1. Sitúe el interruptor en la posición <b>ON</b>.</li> <li>2. Sitúe la válvula de combustible en la posición <b>ON</b>.</li> <li>3. Limpie o cambie el filtro de aire.</li> <li>4. Espere dos minutos y llene el depósito.</li> <li>5. Vacíe el depósito de combustible y el carburador. Llene el depósito con combustible nuevo.</li> <li>6. Conecte el cable a la bujía.</li> <li>7. Sustituya la bujía.</li> <li>8. Espere 5 minutos y vuelva a arrancar el motor.</li> <li>9. Póngase en contacto con el servicio técnico autorizado.</li> <li>10. Póngase en contacto con el servicio técnico autorizado.</li> <li>11. Póngase en contacto con el servicio técnico autorizado.</li> <li>12. Póngase en contacto con el servicio técnico autorizado.</li> </ol>
<b>El motor se para.</b>	No queda combustible.	Espere dos minutos y llene el depósito.
<b>El compresor no funciona.</b>	<ol style="list-style-type: none"> <li>1. La presión del depósito es superior a la presión de "arranque" de la válvula piloto.</li> <li>2. Las conexiones eléctricas están flojas.</li> <li>3. La válvula de arranque de la válvula piloto no ha descargado la presión.</li> </ol>	<ol style="list-style-type: none"> <li>1. El motor pasará del ralentí a la velocidad normal cuando la presión del depósito caiga por debajo del ajuste de presión de "arranque".</li> <li>2. Póngase en contacto con un técnico cualificado.</li> <li>3. Elimine la presión abriendo la válvula de arranque. Si la válvula no se abre, tire de la anilla de la válvula de seguridad y cambie la válvula piloto.</li> </ol>



## GLOSARIO

La familiarización con los siguientes términos le ayudará a comprender y utilizar mejor la mayoría de los compresores de aire:

**Salida de aire** – Combinación de psi y CFM. La salida de aire necesaria para utilizar una herramienta o un accesorio se indica como “‘número’ (S)CFM a ‘número’ psi”. Por ejemplo “9,0 CFM a 90 psi”. La combinación de estos valores determina la capacidad del compresor de aire necesario.

**Capacidad del depósito de aire** – Volumen de aire almacenado en el depósito y disponible para un uso inmediato.

**Corriente alterna (CA)** – Tensión que aumenta hasta un valor positivo máximo (+), vuelve a cero, continúa hasta un valor negativo máximo (-) y llega de nuevo a cero. Este ciclo se repite 60 veces por segundo en el caso de la corriente alterna de 60 hercios.

**Homologación ASME** – Indica que el recipiente de presión (depósito de aire) y los componentes relacionados se han fabricado, probado e inspeccionado conforme a las especificaciones de la American Society of Mechanical Engineers (Sociedad americana de ingenieros mecánicos).

**Válvula de seguridad ASME** – Dispositivo de protección que libera automáticamente aire del depósito si la presión de éste supera un valor máximo predeterminado.

**Camisa de fundición** – Cilindro fino de hierro situado dentro de la cabeza del cilindro que produce una superficie de mayor dureza entre las paredes de aluminio del cilindro y los segmentos de acero del pistón, prolongando así la vida útil del compresor.

**CFM o SCFM** (Standard Cubic Feet per Minute – Pies cúbicos por minuto). SCFM es el volumen de aire, en pies cúbicos, que puede bombear el compresor por minuto a una presión de trabajo concreta. En este manual, se utiliza el término CFM.

**Disyuntor** – Interruptor térmico que abre un circuito cuando lo atraviesa demasiada corriente. El motor del compresor de aire cuenta con uno de estos dispositivos de protección rearmables.

**Presión de arranque** – A medida que se utiliza el aire del depósito de aire, la presión de éste se reduce. Cuando se alcanza un nivel mínimo determinado, el presostato lo detecta y hace que el motor del compresor pase del ralentí a la velocidad normal para volver a llenar el depósito de aire. El nivel en el cual se pone en marcha el motor se denomina presión de arranque.

**Presión de corte** – Cuando el compresor funciona, produce aire que se almacena en el depósito. Si no se utiliza el aire, la presión se acumula en el depósito. El presostato detecta la alta presión y, cuando se alcanza un nivel máximo determinado, disminuye la velocidad del motor del compresor hasta el ralentí. El nivel en el cual se para el motor se denomina presión de corte.

**Toma doble** – Dos tomas de 120 V CA unidas entre sí. Similares a los enchufes domésticos normales.

**GFCI** – Interruptor de corriente de fallo de conexión a tierra. Dispositivo que detecta un flujo de corriente en la gama de los miliamperios en un circuito eléctrico de conexión a tierra y activa un relé para abrir ambos conductores de la línea.

**Tierra** – Conexión voluntaria o accidental entre un circuito eléctrico y la tierra o algún cuerpo conductor que actúe como la tierra.

**Control de presión** – Dispositivo utilizado para ajustar la salida de presión del compresor de aire. También se denomina regulador. El regulador de presión se ajusta para suministrar el valor de psi que necesita cada herramienta neumática. El ajuste se puede ver en el manómetro de presión de salida.

**psi** – libras por pulgada cuadrada. Medida de la presión de aire que suministra el sistema de aire comprimido.

**Una etapa** – Los compresores de aire de una etapa constan de uno o varios cilindros que toman aire en su carrera descendente y lo comprimen en el depósito de aire en su carrera ascendente.

**Manómetro del depósito** – Dispositivo que indica la presión de aire del depósito en psi.

**Dos etapas** – Un compresor de aire de dos etapas siempre consta de al menos dos cilindros, uno de baja presión (LP) y mayor tamaño y otro de alta presión (HP) y menor tamaño. Cuando el pistón LP baja, el aire entra a presión atmosférica. Durante la carrera ascendente, el pistón LP descarga el aire a través de un enfriador intermedio y lo introduce en el cilindro HP durante su carrera descendente. Durante la carrera ascendente del pistón HP, el aire se descarga en el depósito. Se recomienda el uso de compresores de aire de dos etapas cuando las herramientas se utilizan de forma continua.

**Aisladores antivibración** – Cuando se instalan, minimizan las vibraciones que produce el compresor de aire.



## EMISIONES

### Información sobre el período de durabilidad de las emisiones y el índice de aire en la etiqueta de emisiones del motor

Los motores con certificación de cumplimiento de la normativa sobre emisiones de nivel 2 del California Air Resources Board (CARB) deben mostrar información sobre el período de durabilidad de las emisiones y el índice de aire. El fabricante del motor ofrece esta información al consumidor mediante etiquetas de emisiones.

El **período de durabilidad de las emisiones** indica el número de horas durante las cuales el motor puede funcionar cumpliendo las normas sobre emisiones, siempre que se realicen las operaciones de mantenimiento que se detallan en las instrucciones de uso y mantenimiento. Se utilizan las siguientes categorías:

**Moderado:** El motor está certificado para cumplir la normativa sobre emisiones durante 125 horas de funcionamiento real.

**Intermedio:** El motor está certificado para cumplir la normativa sobre emisiones durante 250 horas de funcionamiento real.

**Prolongado:** El motor está certificado para cumplir la normativa sobre emisiones durante 500 horas de funcionamiento real.

Por ejemplo, un cortacésped con operario a pie se suele utilizar entre 20 y 25 horas al año. Por tanto, el **período de durabilidad de las emisiones** de un motor con clasificación **intermedia** equivaldría a entre 10 y 12 años.

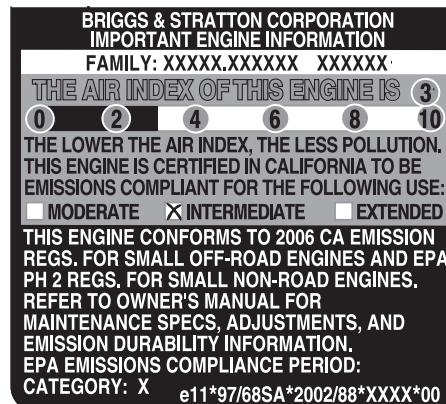
El **índice de aire** es un valor calculado que indica el nivel relativo de emisiones de una gama concreta de motores. Cuanto menor es el **índice de aire**, más limpio es el motor. Esta información se presenta en forma gráfica en la etiqueta de emisiones.

### Período de cumplimiento de la normativa de emisiones en la etiqueta de cumplimiento de emisiones del motor

Desde el 1 de julio de 2000, algunos motores Briggs & Stratton cuentan con la certificación de cumplimiento de la fase 2 de las normas sobre emisiones de la United States Environmental Protection Agency (USEPA, Agencia estadounidense de protección del medioambiente). En el caso de los motores con certificación de fase 2, el período de cumplimiento de la normativa sobre emisiones que figura en la etiqueta de cumplimiento de emisiones indica el número de horas de funcionamiento durante las cuales el motor ha demostrado cumplir los requisitos federales sobre emisiones. Para motores de menos de 225 cc, Categoría C = 125 horas, B = 250 horas y A = 500 horas. Para motores de 125 cc o más, Categoría C = 250 horas, B = 500 horas y A = 1000 horas.

La clasificación de este motor es intermedia, con un índice de aire de 2. El período de cumplimiento de la normativa sobre emisiones de la EPA es de categoría B. El motor tiene una cilindrada de 206 cc.

A continuación se muestra una representación genérica de la etiqueta de emisiones típica de un motor certificado.



# GARANTÍA DEL SISTEMA DE CONTROL DE EMISIONES

**Briggs & Stratton Corporation (B&S), el California Air Resources Board (CARB, Consejo de recursos de aire de California) y la United States Environmental Protection Agency (U.S. EPA, Agencia estadounidense de protección del medioambiente)**

**Garantía del sistema de control de emisiones (Garantía contra defectos, derechos y obligaciones del propietario)(Droits et obligations du propriétaire relatifs à la garantie contre les défauts)**

## **Garantía contra defectos del sistema de control de emisiones de California, Estados Unidos y Canadá**

California Air Resources Board (CARB), U.S. EPA y B&S le explican a continuación la garantía del sistema de control de emisiones de su pequeño motor para máquinas de servicio (SORE, Small Offroad Engine). En California, los modelos de pequeños motores para máquinas de servicio a partir del año 2006 deben estar diseñados, fabricados y equipados conforme a los exigentes estándares de lucha contra la contaminación del Estado. En otros lugares de Estados Unidos, los modelos de motores para máquinas de servicio con encendido por bujía a partir del año 1997 deben cumplir normas similares determinadas por la U.S. EPA. B&S debe garantizar el sistema de control de emisiones de su motor durante los períodos que se indican a continuación, siempre que no se haya hecho un uso indebido o negligente ni un mantenimiento inadecuado del pequeño motor para máquinas de servicio.

El sistema de control de emisiones incluye las siguientes piezas: carburador, filtro de aire, sistema de encendido, conducto de combustible, silenciador y convertidor catalítico. También puede incluir conectores y otros conjuntos relacionados con las emisiones.

Si se cumplen las condiciones de la garantía, B&S reparará el motor sin coste alguno, incluido el diagnóstico, las piezas y la mano de obra.

## **Cobertura de la garantía contra defectos del sistema de control de emisiones de Briggs & Stratton**

Los pequeños motores para máquinas de servicio están garantizados contra defectos de las piezas de control de emisiones durante un período de dos años, conforme a las siguientes disposiciones. Si cualquier pieza del motor con cobertura es defectuosa, será reparada o sustituida por B&S.

### **Responsabilidades de la garantía del propietario**

Como propietario del pequeño motor para máquinas de servicio, usted es responsable de la correcta realización de las operaciones de mantenimiento que se enumeran en las Instrucciones de uso y mantenimiento. B&S recomienda conservar todas las facturas relativas al mantenimiento del motor; pero B&S no puede denegar la garantía basándose únicamente en la falta de facturas o en la imposibilidad por parte del propietario de asegurar la correcta realización de todas las operaciones de mantenimiento.

Como propietario del pequeño motor para máquinas de servicio, debe ser consciente de que B&S puede denegar la cobertura de la garantía si el motor o uno de sus componentes falla debido a un uso indebido o negligente, un mantenimiento inadecuado o modificaciones no autorizadas.

Usted es responsable de presentar su pequeño motor para máquinas de servicio a un distribuidor autorizado de servicio B&S en el momento en que surja un problema. Las reparaciones cubiertas por la garantía se llevarán a cabo en un plazo razonable, no superior a 30 días en ningún caso.

En caso de preguntas sobre los derechos y responsabilidades relativos a la garantía, consulte con un representante de servicio de B&S llamando al 1-414-259-5262.

La garantía de emisiones es una garantía contra defectos. Los defectos se juzgan en función del rendimiento normal del motor. La garantía no dependerá de ninguna prueba de emisiones en funcionamiento.

## **Disposiciones de la garantía contra defectos del sistema de control de emisiones de Briggs & Stratton**

A continuación se detallan las disposiciones concretas relativas a la Cobertura de la garantía contra defectos del sistema de control de emisiones. Se añaden a la garantía de motores de B&S para motores no regulados, que figura en el Manual del propietario.

### **1. Piezas garantizadas**

La presente garantía cubre únicamente las piezas que se enumeran a continuación (piezas del sistema de control de emisiones) siempre que tales piezas estuvieran presentes en el motor adquirido.

- a. Sistema de regulación de combustible
  - Sistema de enriquecimiento para arranque en frío (estrangulador electrónico)
  - Carburador y piezas internas
  - Bomba de combustible
  - Conducto de combustible, acoplamiento del conducto de combustible, abrazaderas
- b. Sistema de inducción de aire
  - Filtro de aire
  - Colector de admisión
- c. Sistema de encendido
  - Bujía(s)
  - Sistema de encendido magnético
- d. Sistema catalizador
  - Convertidor catalítico
  - Colector de escape
  - Sistema de inyección de aire o válvula de impulso
- e. Elementos diversos utilizados en los sistemas anteriores
  - Válvulas y conmutadores de aspiración, temperatura, posición y temporizados
  - Conectores y unidades

### **2. Duración de la cobertura**

B&S garantiza al propietario inicial y a cada comprador posterior que las piezas garantizadas no tendrán defectos de materiales ni de mano de obra que provoquen su fallo durante un período de dos años a partir de la fecha de entrega del motor a su comprador

### **3. Servicio gratuito**

La reparación o sustitución de toda pieza garantizada se realizará sin cargo alguno para el propietario, incluido el trabajo de diagnóstico que permita determinar que la pieza garantizada es defectuosa, siempre que se realice en un distribuidor autorizado de servicio B&S. En el caso del servicio de garantía de emisiones, póngase en contacto con el distribuidor autorizado de servicio B&S, que figurará en las Páginas Amarillas, en la sección de "Motores de gasolina", "Gasolina, motores", "Cortacéspedes" o similar.

### **4. Solicitudes y exclusiones de cobertura**

Las solicitudes de garantía se cumplimentarán con arreglo a las disposiciones de la Política de garantía de motores B&S. La cobertura no incluye los fallos de piezas garantizadas que no sean originales de B&S ni los fallos debidos al uso indebido o negligente o al mantenimiento inadecuado, conforme a las disposiciones de la Política de garantía de motores B&S. B&S no será responsable de la cobertura de fallos de piezas garantizadas provocados por el uso de piezas complementarias, no originales o modificadas.

### **5. Mantenimiento**

Los fallos de toda pieza garantizada que no se deba sustituir como parte del plan de mantenimiento obligatorio o que sólo se deba inspeccionar periódicamente para proceder a su "reparación o cambio en caso de ser necesario" quedarán cubiertos durante el período de garantía. Los fallos de toda pieza garantizada que deba sustituirse como parte del mantenimiento obligatorio quedarán cubiertos únicamente durante el período comprendido entre la compra y la primera sustitución indicada en el plan de mantenimiento. En las operaciones de mantenimiento y reparación, se podrá utilizar cualquier pieza de recambio de rendimiento y durabilidad equivalentes. El propietario es responsable del cumplimiento de todas las operaciones de mantenimiento obligatorio que se definen en el manual del propietario de B&S.

### **6. Cobertura de daños derivados**

La cobertura se ampliará a los fallos de cualquier componente del motor derivados del fallo de cualquier pieza garantizada y cubierta por la garantía.

## POLÍTICA DE GARANTÍA PARA EL PROPIETARIO DE COMPRESORES DE AIRE BRIGGS & STRATTON POWER PRODUCTS GROUP, LLC

Fecha de entrada en vigor: 1 de octubre de 2005. Sustituye a todas las garantías sin fecha y a las de fecha anterior al 1 de octubre de 2005

### GARANTÍA LIMITADA

Briggs & Stratton Power Products Group, LLC reparará o sustituirá sin cargo alguno cualquier componente del compresor de aire que presente defectos de materiales y/o mano de obra. Los gastos de transporte de las producto enviadas para reparar o sustituir conforme a los términos de esta garantía correrán a cargo del comprador. El período de vigencia y las condiciones de esta garantía son los que se estipulan a continuación. Para obtener servicio en garantía, localice el distribuidor de servicio autorizado más próximo en nuestro mapa de distribuidores, en [www.briggspowerproducts.com](http://www.briggspowerproducts.com).

NO EXISTE NINGUNA OTRA GARANTÍA EXPLÍCITA. LAS GARANTÍAS IMPLÍCITAS, INCLUIDAS LAS DE COMERCIABILIDAD O IDONEIDAD PARA UN FIN CONCRETO, SE LIMITAN A UN AÑO A PARTIR DE LA FECHA DE COMPRA O AL LÍMITE DE TIEMPO PERMITIDO POR LA LEY. QUEDAN EXCLUIDAS TODAS LAS GARANTÍAS IMPLÍCITAS QUEDA EXCLUIDA LA RESPONSABILIDAD POR DAÑOS SECUNDARIOS Y DERIVADOS HASTA EL LÍMITE PERMITIDO POR LA LEY. Algunos países o estados no permiten limitar la duración de una garantía implícita ni excluir o limitar los daños secundarios y derivados. Por tanto, es posible que las limitaciones y exclusiones mencionadas no sean aplicables en su caso. Esta garantía le otorga determinados derechos legales y es posible que tenga otros derechos que pueden variar de un país o estado a otro.

### PERÍODO DE GARANTÍA

Uso del consumidor	2 años
Uso comercial	90 días

El período de garantía comienza en la fecha de compra del primer consumidor o usuario comercial final y se prolonga durante el tiempo especificado anteriormente. "Uso del consumidor" significa uso doméstico personal por parte de un consumidor final. "Uso comercial" significa cualquier otro uso, incluidos los usos con fines comerciales, de generación de ingresos o alquiler. Una vez que el equipo se haya usado con fines comerciales, se considerará como equipo de uso comercial a efectos de esta garantía.

NO ES NECESARIO REGISTRAR LA GARANTÍA PARA OBTENER SERVICIO DE BRIGGS & STRATTON PRODUCTS. GUARDE SU RECIBO DE COMPRA. SI NO APORTA LA PRUEBA DE LA FECHA DE COMPRA INICIAL EN EL MOMENTO DE SOLICITAR EL SERVICIO EN GARANTÍA, SE UTILIZARÁ LA FECHA DE FABRICACIÓN DEL PRODUCTO PARA DETERMINAR EL PERÍODO DE GARANTÍA.

### ACERCA DE LA GARANTÍA

Esperamos que disfrute de nuestra garantía y le pedimos disculpas por las molestias causadas. Cualquier distribuidor de servicio autorizado puede llevar a cabo reparaciones en garantía. La mayoría de las reparaciones en garantía se gestionan normalmente, pero algunas veces la solicitud de servicio en garantía puede no ser procedente. Por ejemplo, la garantía no será válida si el equipo presenta daños debidos al mal uso, la falta de mantenimiento, el transporte, la manipulación, el almacenamiento o la instalación inadecuados. De manera similar, la garantía quedará anulada si se ha borrado la fecha de fabricación o el número de serie del compresor de aire, o si el equipo ha sido alterado o modificado. Durante el período de garantía, el distribuidor de servicio autorizado podrá reparar o sustituir, a su libre elección, cualquier pieza que, previa inspección, sea defectuosa en condiciones normales de uso y servicio. Esta garantía no cubre las reparaciones y los equipos que se detallan a continuación:

- **Desgaste normal:** Al igual que cualquier otro aparato mecánico, los equipos de uso en exteriores necesitan piezas y mantenimiento periódicos para funcionar correctamente. Esta garantía no cubre las reparaciones cuando el uso normal haya agotado la vida útil de una pieza concreta del equipo.
- **Instalación y mantenimiento:** Esta garantía no cubre los equipos ni las piezas cuya instalación sea incorrecta o no haya sido autorizada, ni aquellos que hayan sido objeto de cualquier tipo de alteración, mal uso, negligencia, accidente, sobrecarga, exceso de velocidad o mantenimiento, reparación o almacenamiento inadecuados que, a nuestro juicio, haya afectado negativamente a su funcionamiento y su fiabilidad. La garantía no cubre el mantenimiento normal, como los filtros de aire, los reglajes, etc.
- **Otras exclusiones:** Esta garantía excluye los elementos sujetos a desgaste, como las juntas, las juntas tóricas, etc. También excluye los compresores de aire que hayan funcionado sin aceite o que hayan sufrido daños derivados de la congelación del agua de los depósitos. El compresor de aire sólo queda cubierto por la garantía si se utiliza de forma no continua y no debe utilizarse continuamente. Los accesorios, como mangueras o herramientas neumáticas no suministradas con el compresor, quedan excluidos de la garantía del producto. Esta garantía excluye los fallos debidos a hechos fortuitos y a otros acontecimientos de fuerza mayor que escapen al control del fabricante.

**BRIGGS & STRATTON POWER PRODUCTS GROUP, LLC**  
JEFFERSON, WI, EE.UU.

## Free Manuals Download Website

<http://myh66.com>

<http://usermanuals.us>

<http://www.somanuals.com>

<http://www.4manuals.cc>

<http://www.manual-lib.com>

<http://www.404manual.com>

<http://www.luxmanual.com>

<http://aubethermostatmanual.com>

Golf course search by state

<http://golfingnear.com>

Email search by domain

<http://emailbydomain.com>

Auto manuals search

<http://auto.somanuals.com>

TV manuals search

<http://tv.somanuals.com>