



PROSERIES

Air Compressor Illustrated Parts List

Questions? Help is just a moment away!

Vous avez des questions? Vous n'avez pas besoin d'aller
loin pour trouver de l'aide!

Preguntas? La ayuda es justa un momento lejos!

Call: **Helpline**

Appelez: **Ligne d'assistance**

Llame: **Línea Directa**

1-800-743-4115 M-F 8-5 CT

BRIGGSandSTRATTON.COM

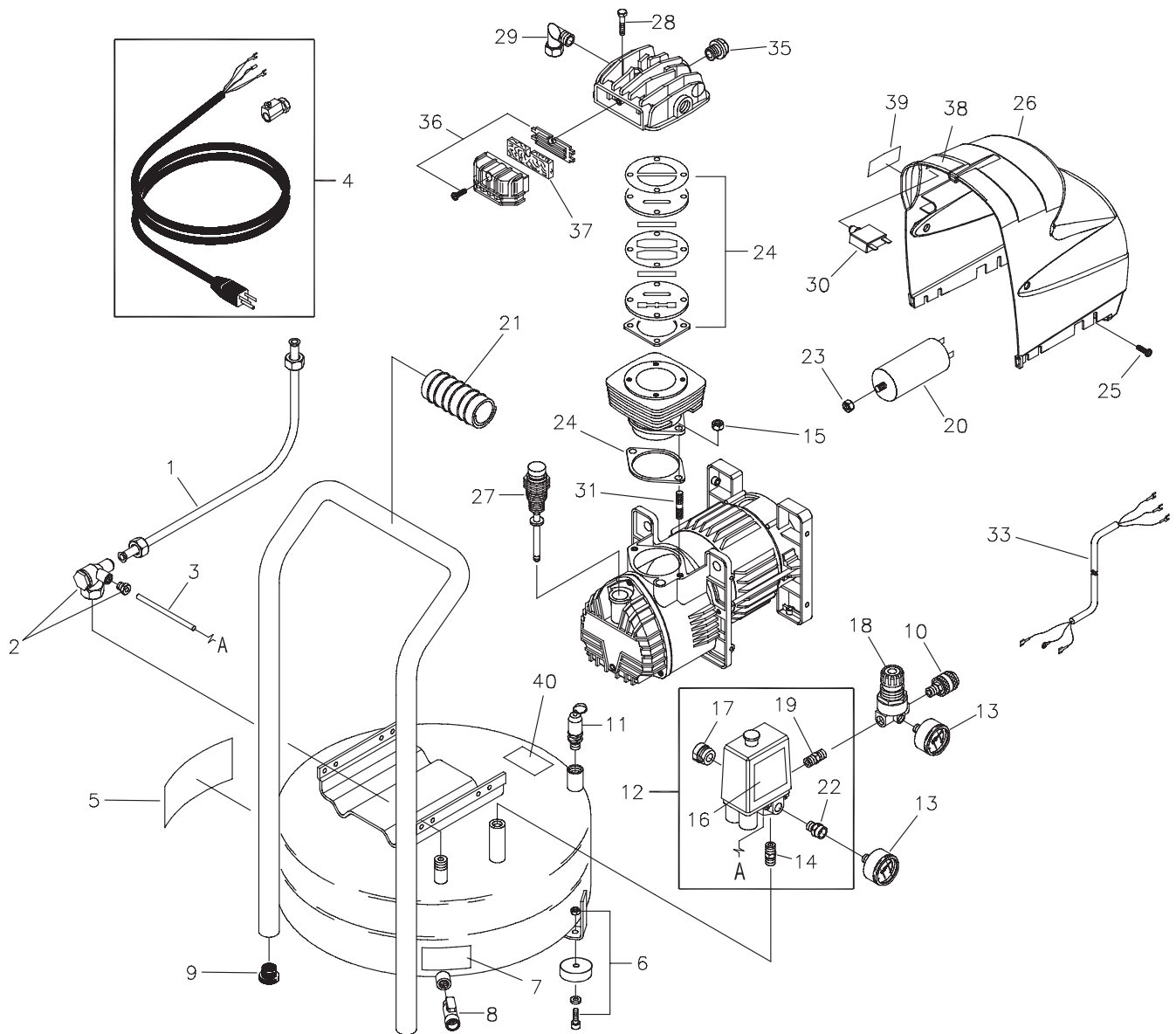
074008



BRIGGS & STRATTON POWER PRODUCTS GROUP, LLC
JEFFERSON, WISCONSIN, U.S.A.

Manual No. 203719A Revision - (01/21/08)

EXPLODED VIEW



Copyright © 2008 Briggs & Stratton Power Products Group, LLC. All rights reserved. No part of this material may be reproduced or transmitted in any form by any means without the express written permission of Briggs & Stratton Power Products Group, LLC.

PARTS LIST

Item	Part #	Description	Item	Part #	Description
1	200673GS	TUBE, Infeed	24	200689GS	KIT, Valve Plate
2	200674GS	VALVE, Relief	25	*	SCREW, Taptite M5 x 20
3	199961GS	HOSE, Rilsan	26	200690GS	KIT, Shroud, Plastic (Includes #38 & 39)
4	200720GS	ASSY, Cable, Power	27	200691GS	DIPSTICK, Oil
5	199172GS	DECAL, Warning	28	200684GS	SCREW, M6 x 40
6	192310GS	KIT, Vib Mount	29	200685GS	CONNECTOR, Elbow
7	199739GS	DECAL, Tank Drain	30	200717GS	BREAKER, Circuit, 17A
8	200675GS	VALVE, Drain	31	*	STUD BOLT
9	200676GS	RUBBER FOOT	33	200910GS	WIRE HARNESS
10	200677GS	COUPLER, Quick Connect	35	200688GS	VALVE, Start
11	200678GS	VALVE, Safety	36	200687GS	KIT, Air Filter
12	200679GS	ASSY, Pressure Switch	37	200697GS	FILTERING ELEMENT
13	200680GS	GAUGE, Pressure	38	199174GS	DECAL, Hot Surface
14	201697GS	ADAPTER	39	201731GS	DECAL, Reset
15	*	NUT, M8	40	201732GS	DECAL, Important
16	199176GS	DECAL, Electric Shock			
17	200364GS	PLUG			
18	200681GS	PRESSURE REGULATOR			
19	201059GS	ADAPTER			
20	200692GS	CAPACITOR, 60 μ F			
21	200682GS	HANDLE			
22	200683GS	COUPLING			
23	*	NUT, M8			

Parts Not Illustrated

203719GS	MANUAL, Operator's
201765GS	OIL, Compressor
203884GS	DECAL, Logo

* - Items without part numbers are common fasteners and can be found at your local hardware store.

Free Manuals Download Website

<http://myh66.com>

<http://usermanuals.us>

<http://www.somanuals.com>

<http://www.4manuals.cc>

<http://www.manual-lib.com>

<http://www.404manual.com>

<http://www.luxmanual.com>

<http://aubethermostatmanual.com>

Golf course search by state

<http://golfingnear.com>

Email search by domain

<http://emailbydomain.com>

Auto manuals search

<http://auto.somanuals.com>

TV manuals search

<http://tv.somanuals.com>