



# AIR CONDITIONER CONTROL MODULE RETROFIT KIT Model 071015



**IMPORTANT!** The information presented here is retrofit instructions only. Refer to the included Installation and Owner's Manual for complete safety/hazard warnings and testing instructions.

This air conditioner control module retrofit kit's components were selected to maximize the utility of a home standby generator system. Full description of this transfer switch operation is described in the included Installation and Owner's Manual.

**IMPORTANT:** Installing this retrofit kit with home standby units other than 12KW or 15KW units may result in generator overload and possible equipment damage.

If you have questions about this retrofit procedure, call 1-800-743-4115 between 8:00 AM and 5:00 PM CDT.

The following items are included in this retrofit kit:

- ACCM Circuit Board (1)
- Current Transformer (2)
- ACCM Upgrade Decal (1)

- Contacts Rating Decal (1)
- Current Transformer Warning Decal (1)
- Patent(s) Pending Decal (1)
- Wire Circuit Class Decal (1)
- Loose Hardware:  
Cable-Mounting Wire Ways (2)  
Locking Circuit Board Supports (2)  
#6-32 Spacers (4)  
#6-32 Screws (4)
- This Installation Sheet (1)
- Installation and Owner's Manual (1)

## ASSEMBLY SEQUENCE

### IMPORTANT:

**Intended for use only with 12KW and 15KW home standby units.**

**Only licensed electrical contractors should install this transfer switch retrofit kit.**

**Installation must strictly comply with all applicable federal, state and local codes and regulations.**

1. Turn generator off.
2. Disable all power to transfer switch.

**WARNING**

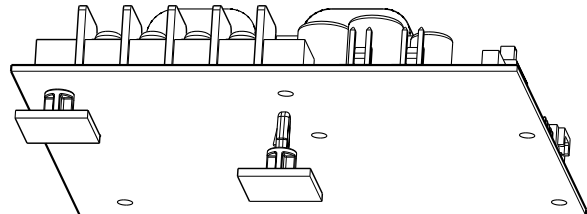
Risk of electrical shock or personal injury.

- More than one disconnect switch may be required to de-energize the device for servicing.

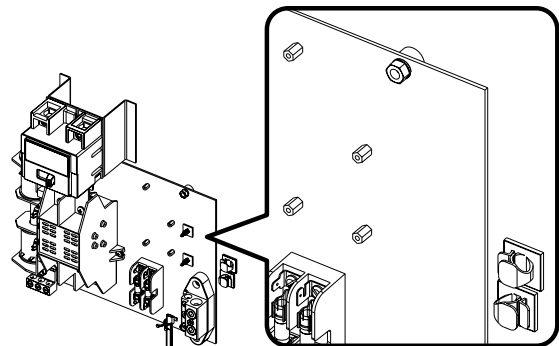
**NOTE:** The transfer switches shown herein may differ in appearance with the actual transfer switch being retrofitted.

3. While holding ACCM board near installed control board, transfer each signal wire from the installed board terminal strip to the matching terminals on the ACCM board terminal strip.
4. Transfer the six control wires from the installed board to the matching faston tabs on the ACCM board.
5. Remove installed control board and discard screws.

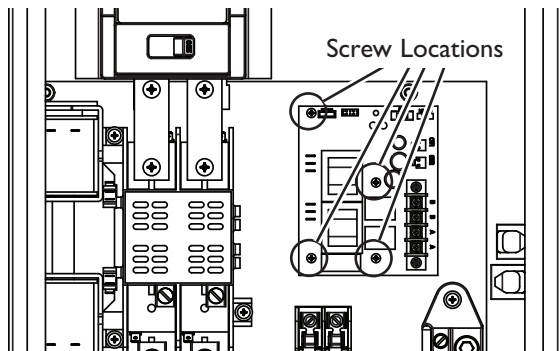
6. Insert circuit board supports into rear of ACCM board, locating them at each end of board's terminal strip.



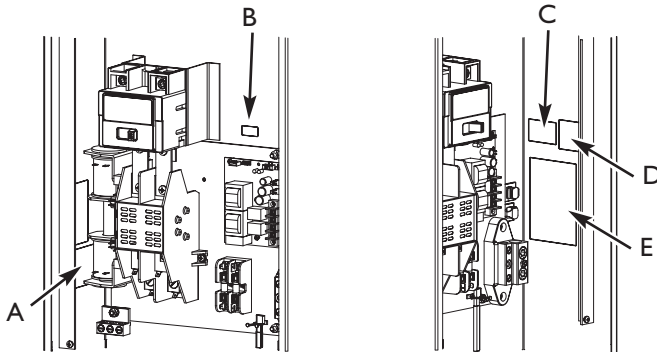
7. Install spacers and wire ways onto existing transfer switch in locations shown.



8. Install ACCM board into transfer switch using supplied screws in locations shown.

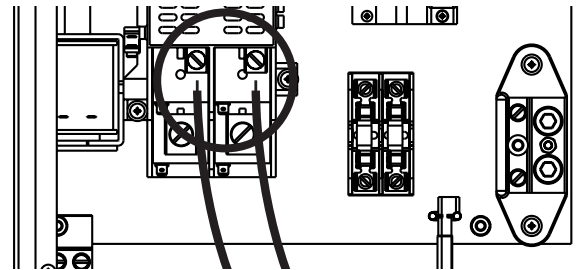


9. Install decals in locations shown.

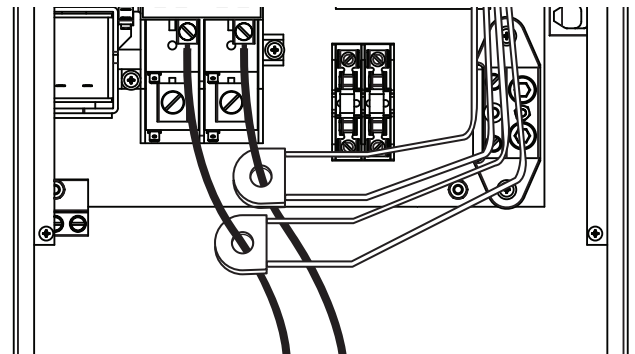


Item	Decal Name
A	ACCM Upgrade
B	Patent(s) Pending
C	Contacts Rating
D	Wire Circuit Class
E	Current Transformer Warning

10. Disconnect generator power supply leads from transfer switch terminals.

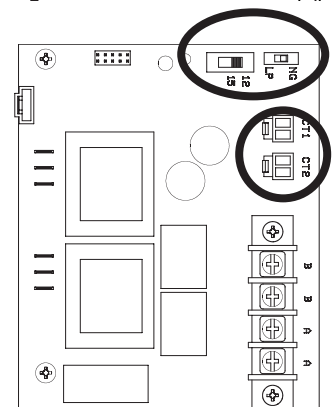


11. Slide one current transformer (CT) over each generator power supply lead and reconnect generator power supply leads to contactor terminals.



12. Set LP/NG and I2/I5 switches on ACCM board to match existing equipment.

13. Plug CT connectors into ACCM board CT1 and CT2 connectors.



The transfer switch retrofit process is now complete. Refer to the supplied Installation and Owner's Manual (I/O Manual) pages listed below to perform the following setup and tests:

14. Install AC controller relay as described in Supervisory Contact Wiring section (refer to I/O Manual, page 8).
15. Verify that all wiring is correctly connected using the appropriate Schematic/Wiring Diagram (refer to I/O Manual, page 14 or 15).
16. Torque all terminals properly (recommended torque values are listed inside transfer switch enclosure).
17. Turn on generator and switch to AUTO mode.
18. Apply Utility power to transfer switch and test system operation (refer to I/O Manual, page 10).

## Free Manuals Download Website

<http://myh66.com>

<http://usermanuals.us>

<http://www.somanuals.com>

<http://www.4manuals.cc>

<http://www.manual-lib.com>

<http://www.404manual.com>

<http://www.luxmanual.com>

<http://aubethermostatmanual.com>

Golf course search by state

<http://golfingnear.com>

Email search by domain

<http://emailbydomain.com>

Auto manuals search

<http://auto.somanuals.com>

TV manuals search

<http://tv.somanuals.com>