



# Illustrated Parts List

## Model Series

# 319700

TYPE NUMBERS  
0110 THROUGH 1116.

### TABLE OF CONTENTS

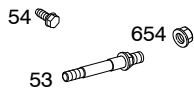
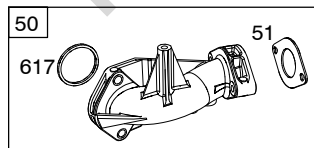
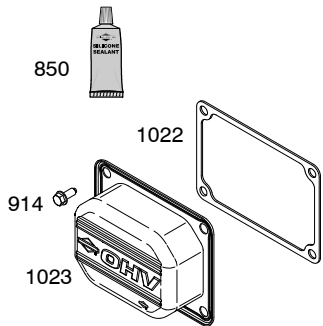
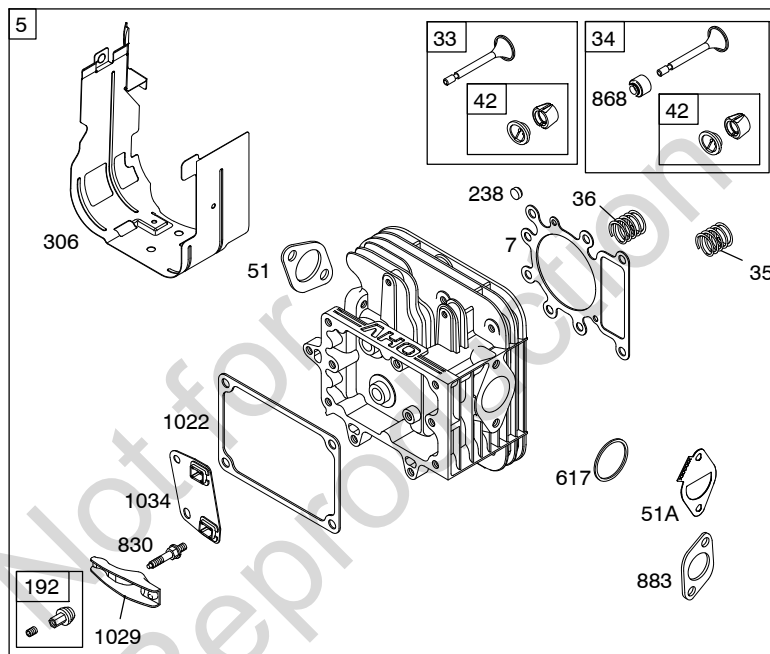
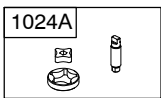
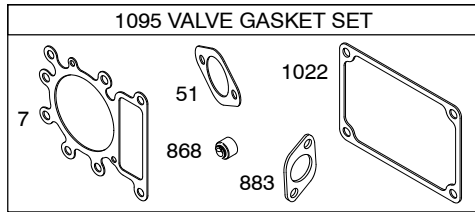
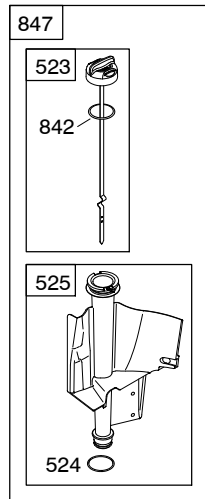
<b>Air Cleaner</b> .....	6
<b>Blower Housing</b> .....	6
<b>Camshaft</b> .....	2
<b>Carburetor</b> .....	4
<b>Controls</b> .....	7
<b>Crankshaft</b> .....	2
<b>Cylinder</b> .....	2
<b>Cylinder Head</b> .....	3
<b>Electric Starter</b> .....	7
<b>Engine Sump</b> .....	2
<b>Flywheel</b> .....	6
<b>Fuel Supply</b> .....	4
<b>Gasket Set - Engine</b> .....	2
<b>Gasket Set - Valve</b> .....	3
<b>Governor Spring</b> .....	7
<b>Ignition</b> .....	7
<b>Intake Manifold</b> .....	3
<b>Kit - Carburetor Overhaul</b> .....	4
<b>Lubrication</b> .....	3
<b>Operator's Manual</b> .....	2
<b>Piston, Rings, Connecting Rod</b> .....	2
<b>Valves</b> .....	3
<b>Warning Label</b> .....	2



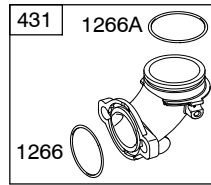
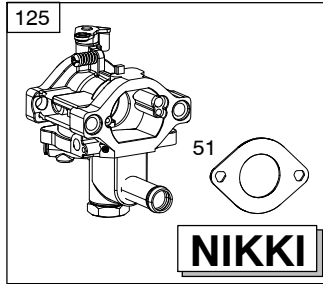
PRINTED IN U.S.A.

COPYRIGHT by BRIGGS & STRATTON CORPORATION  
All rights reserved. No part of this material may be reproduced or transmitted, in any form or by any means, electronic or mechanical, including photocopying, recording or by any information storage and retrieval system, without permission in writing from Briggs & Stratton Corporation.



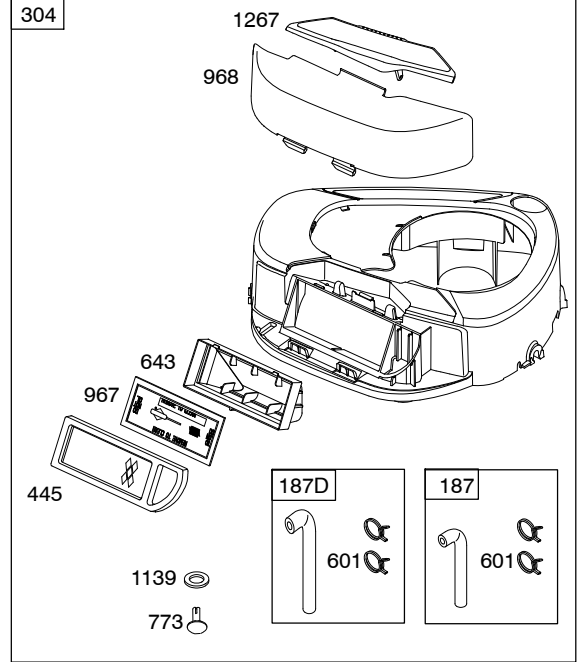
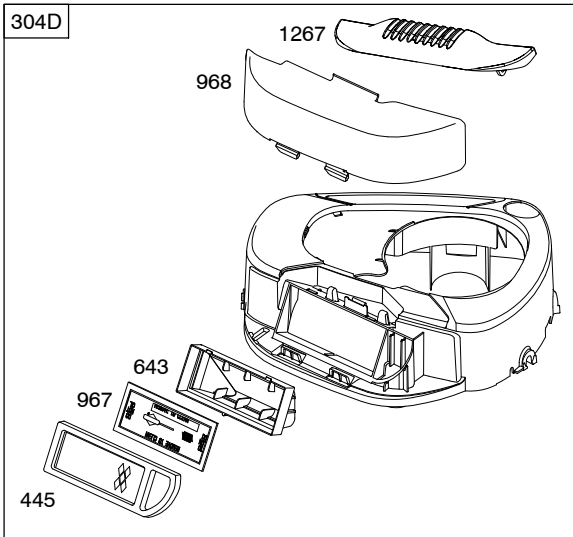


Illustrations cover a range of engines. Parts shown without corresponding text may not be used on your specific engine.  
 6142-3 Assemblies include all parts shown in frames. 01/09/2012



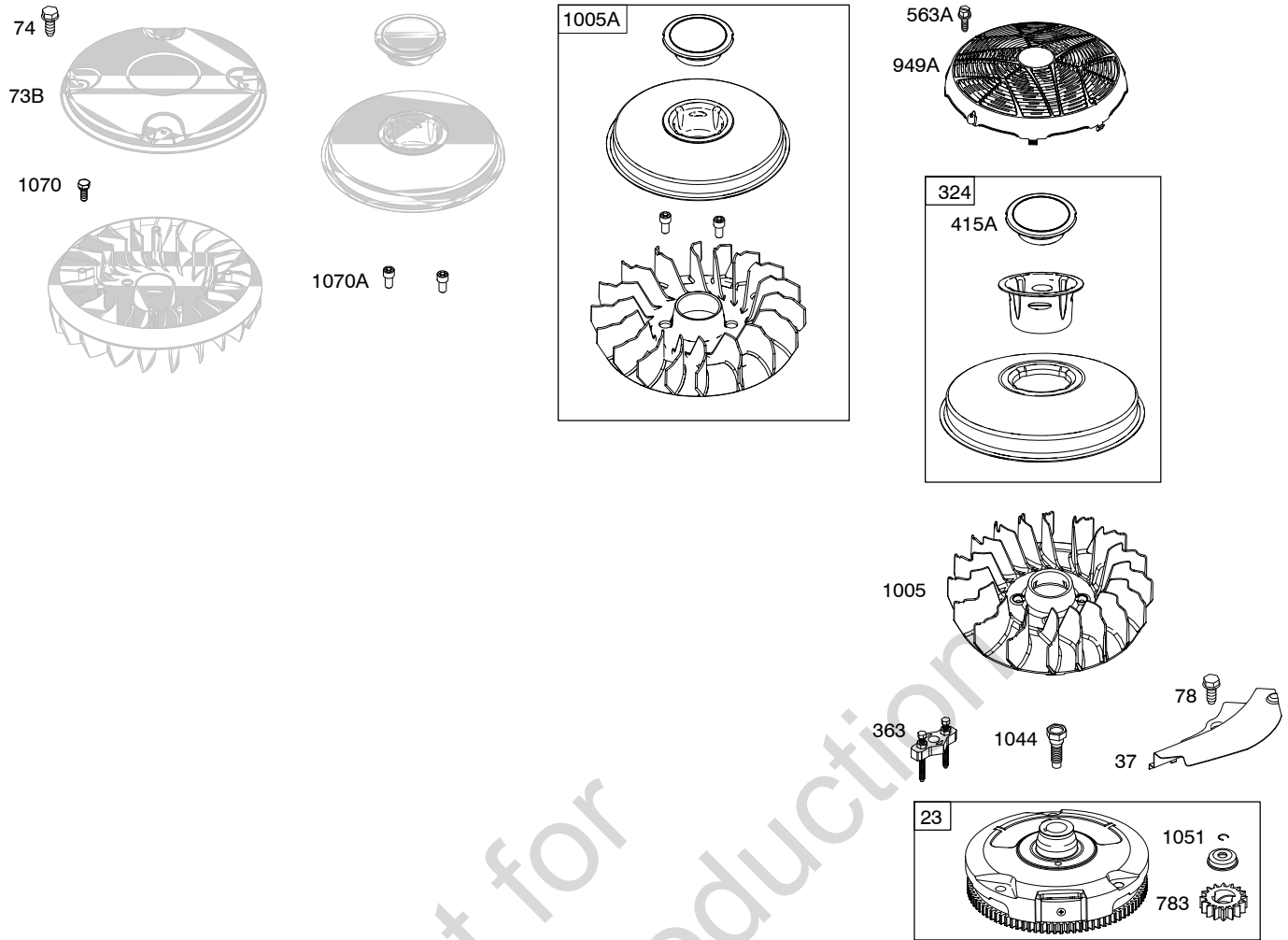
142

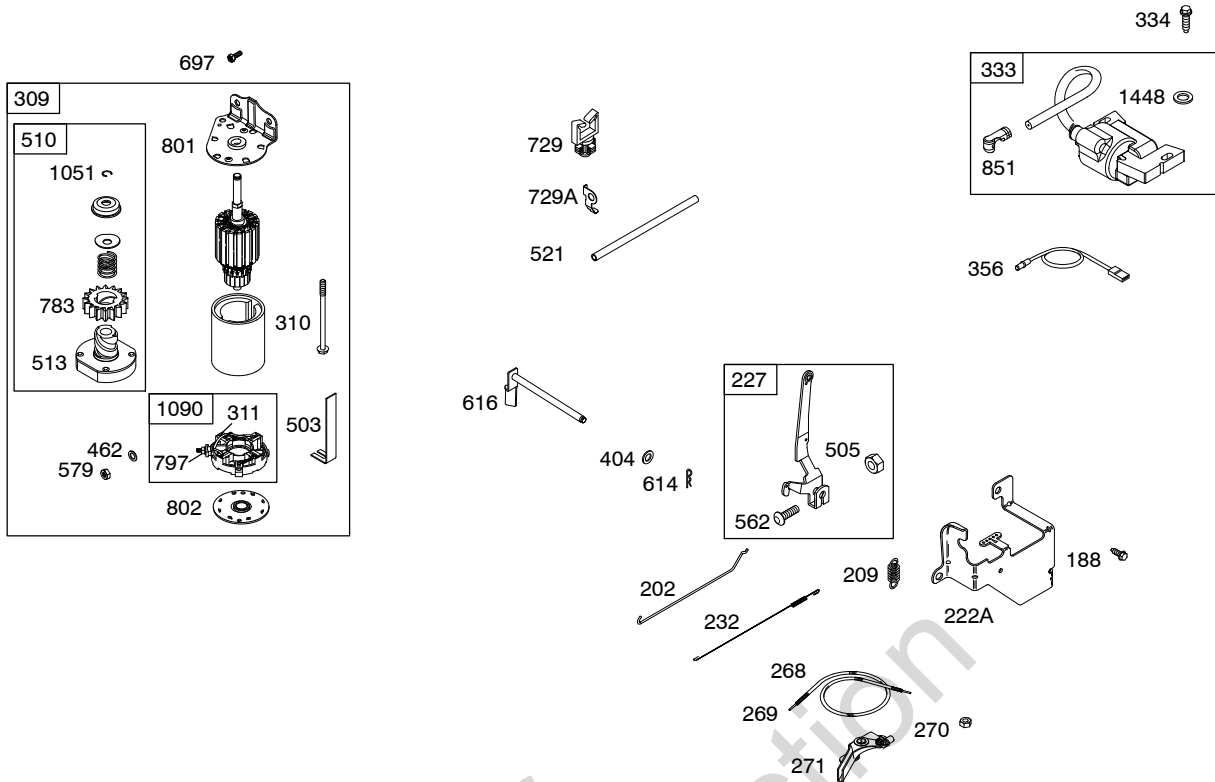
Not for  
Reproduction



Not for  
Reproduction

# 319700





Not for  
Reproduction

# 319700

REF. NO.	PART NO.	DESCRIPTION	REF. NO.	PART NO.	DESCRIPTION	REF. NO.	PART NO.	DESCRIPTION
1	796010	Cylinder Assembly ----- <b>Note</b> ----- 796010 Cylinder Assembly (Used Before Code Date 08042800) Must Be Used With The After 08042700 Cylinder Shield, Ref 306.	16	797583	Crankshaft Used on Type No(s). 0110. ----- <b>Note</b> ----- 797584 Crankshaft Used on Type No(s). 0114, 0115, 0116, 1116. 793245 Crankshaft Used on Type No(s). 0112, 0113.	28	796007	Pin-Piston (Standard) (Used After Code Date 08042700). ----- <b>Note</b> ----- 697099 Pin-Piston (Standard) (Used Before Code Date 08042800).
2	797673	Kit-Bushing/Seal (Magneto Side)	20	795387	Seal-Oil (PTO Side)	29	794122	Rod-Connecting (Standard) Used on Type No(s). 0110.
3	391086S	Seal-Oil (Magneto Side)	22	692125	Screw (Crankcase Cover/Sump)			----- <b>Note</b> ----- 794571 Rod-Connecting (Standard) Used on Type No(s). 0112, 0113, 0114, 0115, 0116, 1116.
4A	790725	Sump-Engine (Used After Code Date 05100200). ----- <b>Note</b> ----- 795939 Sump-Engine (Used Before Code Date 05100300). (Must Use Kit 795939, Includes Sump And Counterweight).	23	693557	Flywheel ----- <b>Note</b> ----- 698281 Flywheel Used on Type No(s). 0114, 0115, 0116, 1116.	32	791118	Screw (Connecting Rod)
5	796026	Head-Cylinder	24	222698S	Key-Flywheel	33	792868	Valve-Exhaust
6	690310	Washer (Used After Code Date 07070900).	25	796172	Piston Assembly (Standard) ----- <b>Note</b> ----- 796173 Piston Assembly (.020" Oversize)	34	791935	Valve-Intake
7	796584	Gasket-Cylinder Head (Breather Assembly)	26	791936	Ring Set (Standard) (Used After Code Date 08042700). ----- <b>Note</b> ----- 699026 Ring Set (Standard) (Used Before Code Date 08042800). 792649 Ring Set (.020" Oversize)	35	691279	Spring-Valve (Intake)
11	794683	Tube-Breather				36	691279	Spring-Valve (Exhaust)
12	697110	Gasket-Crankcase (.015" Thick) (Standard)				37	697352	Guard-Flywheel
13	793988	Screw (Cylinder Head) (Used After Code Date 07010900). ----- <b>Note</b> ----- 690360 Screw (Cylinder Head) (Used Before Code Date 07011000).	27	698469	Lock-Piston Pin	42	499586	Keeper-Valve
15	690946	Plug-Oil Drain (Square Head)				43	691968	Slinger-Governor/Oil
						45	690564	Tappet-Valve
						46	793880	Camshaft

Illustrations cover a range of engines. Parts shown without corresponding text may not be used on your specific engine.  
6142-8 Assemblies include all parts shown in frames. 01/09/2012



REF. NO.	PART NO.	DESCRIPTION	REF. NO.	PART NO.	DESCRIPTION	REF. NO.	PART NO.	DESCRIPTION
50	591259	Manifold-Intake (Used After Code Date 11121800).	222A	694335	Bracket-Control	415A	794129	Plug (Cover/Retainer)
		----- Note -----	227	694339	Lever-Governor Control	431	793669	Elbow-Intake
		793668 Manifold-Intake (Used Before Code Date 11121900).	232	691842	Spring-Governor Link	445	790263	Filter-Air Cleaner Cartridge (UL Recognized)
51	692137	Gasket-Intake	238	691843	Cap-Valve	462	691261	Washer (Starter Cable)
51A	796081	Gasket-Intake	239	694115	Switch-Oil Pressure	503	691532	Strap-Starter
53	591260	Stud (Carburetor) (Used After Code Date 11121800).	268	691025	Casing-Control Wire (Cut To Required Length)	505	691251	Nut (Governor Control Lever)
		----- Note -----	269	691026	Wire-Control (Cut To Required Length)	510	693699	Drive-Starter
		690227 Stud (Carburetor) (Used Before Code Date 11121900).	270	691027	Nut (Control Wire Casing)	513	692024	Clutch-Drive
54	691148	Screw (Intake Manifold)	271	691028	Lever-Control	521	690581	Shield-Cable
73B	697133	Screen-Rotating (Used Before Code Date 07040900).	304	796416	Housing-Blower (Black) (Used After Code Date 08082400).	523	699908	Dipstick
74	697897	Screw (Rotating Screen)	304D	790719	Housing-Blower (Black) (Used Before Code Date 08082500).	524	691032	Seal-Dipstick Tube
78	691693	Screw (Flywheel Guard)	305	697102	Screw (Blower Housing)	525	697184	Tube-Dipstick
125	793115	Carburetor (Nikki Mixer Assembly)	305A	793376	Screw (Blower Housing)	552	697144	Bushing-Governor Crank
142	799518	Nozzle-Carburetor (Natural Gas)	306	796006	Shield-Cylinder (Used After Code Date 08042700).	562	691119	Bolt (Governor Control Lever)
146	691639	Key-Timing			----- Note -----	563A	799359	Screw (Debris Guard)
187	791805	Line-Fuel (Formed)(10.25 Inches Long)(Cut to Required Length)			697107 Shield-Cylinder (Used Before Code Date 08042800).	579	691029	Nut (Starter Cable)
187D	791744	Line-Fuel (Formed)(14 Inches Long)(Cut to Required Length)	307	691693	Screw (Cylinder Shield)	584	794682	Cover-Breather Passage (Use With Liquid Sealant Reference 850)
188	691693	Screw (Control Bracket)	309	693552	Motor-Starter	585	697109	Gasket-Breather (Used Before Code Date 07071900). (After Date Code Use Liquid Sealant Reference 850)
192	691986	Adjuster-Rocker Arm	310	691263	Screw (Starter Motor)	601	791850	Clamp-Hose (Green)
202	691841	Link-Mechanical Governor	311	497608	Brush Set	614	691620	Pin-Cotter
209	792602	Spring-Governor (Used After Code Date 05112700).	324	796308	Screen-Rotating (Used After Code Date 07040800)	616	692012	Crank-Governor
		----- Note -----	333	799650	Armature-Magneto	617	692138	Seal-O Ring (Intake Manifold)
		690480 Spring-Governor (Used Before Code Date 05112800).	334	691061	Screw (Magneto Armature)	635	691909	Boot-Spark Plug
			337	491055S	Plug-Spark	643	698401	Retainer-Air Filter
			356	697397	Wire-Stop	654	690958	Nut (Carburetor)
			358	796187	Gasket Set-Engine	684	697157	Screw
			363	19203	Puller-Flywheel	691	692407	Seal-Governor Shaft
			383	89838S	Wrench-Spark Plug	697	791680	Screw (Drive Cap)
			404	691691	Washer (Governor Crank)			

Illustrations cover a range of engines. Parts shown without corresponding text may not be used on your specific engine.  
6142-9 Assemblies include all parts shown in frames. 01/09/2012

# 319700

REF. NO.	PART NO.	DESCRIPTION	REF. NO.	PART NO.	DESCRIPTION	REF. NO.	PART NO.	DESCRIPTION
718	690959	Pin-Locating	943	690589	Seal-O Ring (Oil Pump Cover)	1040	698368	Plate-Trim
729	691335	Clip-Wire (Wire Saddle)	949A	799358	Guard-Debris Screen	1044	698139	Screw (Flywheel)
729A	691224	Clip-Wire (Aluminum Coated Steel)	965	499613	Cover-Oil Pump	1051	691265	Ring-Retaining
741	697128	Gear-Timing	967	697015	Filter-Pre Cleaner	1058	277766	Manual-Operator's
750	790832	Screw (Oil Pump Cover)	968	698403	Cover-Air Cleaner (Black)	1070	791680	Screw (Flywheel Fan) (Used Before Code Date 07040900).
757	793242	Link-Counterweight	1005	796083	Fan-Flywheel (Used After Code Date 07040800).	1070A	690363	Screw (Flywheel Fan) (Used Before Code Date 08061000 and After Code Date 07040800).
773	796448	Retainer (Fuel Pump)	1005A	796201	Fan-Flywheel (Used Before Code Date 07040900).	1017	690770	Screen-Oil Pump (Push In)
758	793763	Counterweight (Used After Code Date 05100200).	1017	690770	Screen-Oil Pump (Push In)	1022	272475S	Gasket-Rocker Cover (Used Before Code Date 07091000). (After Date Code Use Liquid Sealant Reference 850)
		----- Note ----- 795939 Counterweight (Used Before Code Date 05100300). (Must Use Kit 795939, Includes Sump And Counterweight).	1023	797421	Cover-Rocker	1090	691293	Retainer-Brush
759	697392	Pin-Counterweight	1024A	794644	Pump-Oil (Used After Code Date 07051600).	1095	690190	Gasket Set-Valve
783	693713	Gear-Pinion	1026	692003	Rod-Push (Intake)	1139	796449	Washer
797	693167	Nut (Brush Retainer)			----- Note ----- 692011 Rod-Push (Exhaust)	1263	697124	Reed-Breather
801	691283	Cap-Drive	1027	492932S	Filter-Oil	1264	697104	Screw (Breather Reed)
802	691286	Cap-End	1029	691751	Arm-Rocker	1266	691917	Seal-O Ring (Intake Elbow)
823	698941	Screw (Muffler Adapter)	1034	690822	Guide-Push Rod	1266A	697123	Seal-O Ring (Intake Elbow)
830	691095	Stud-Rocker Arm	1035	693784	Shaft-Pump Label-Emissions (Available From A Briggs & Stratton Authorized Dealer)	1267	697419	Latch-Blower Housing
842	691031	Seal-O Ring (Dipstick Tube)	1036			1270	793243	Plug-AVS Counterweight (Used After Code Date 06081300).
847	790442	Dipstick/Tube Assembly						----- Note ----- 697156 Plug-AVS Counterweight (Used Before Code Date 06081400).
850	100100	Sealant-Liquid (Rocker Cover Gasket and Breather Gasket) (Used After Code Date 07071800).				1319	794467	Warning Label
851	692424	Terminal-Spark Plug				1448	690260	Washer (Magneto Armature)
868	690968	Seal-Valve						
883	692236	Gasket-Exhaust						
914	691108	Screw (Rocker Cover)						

Illustrations cover a range of engines. Parts shown without corresponding text may not be used on your specific engine.  
6142-10 Assemblies include all parts shown in frames. 01/09/2012

Not for  
Reproduction

Not for  
Reproduction



## Free Manuals Download Website

<http://myh66.com>

<http://usermanuals.us>

<http://www.somanuals.com>

<http://www.4manuals.cc>

<http://www.manual-lib.com>

<http://www.404manual.com>

<http://www.luxmanual.com>

<http://aubethermostatmanual.com>

Golf course search by state

<http://golfingnear.com>

Email search by domain

<http://emailbydomain.com>

Auto manuals search

<http://auto.somanuals.com>

TV manuals search

<http://tv.somanuals.com>