



Illustrated Parts List

Model Series

120300

TYPE NUMBERS
0036 through 3781.

TABLE OF CONTENTS

Air Cleaner	6
Blower Housing	7
Camshaft	2
Carburetor	4
Controls	5
Crankcase Cover	2
Crankshaft	2
Cylinder	2
Cylinder Head	3
Electric Starter	5
Exhaust System	6
Flywheel	7
Fuel Supply	4
Gear Reduction	7
Governor Spring	5
Ignition	5
Kits/Gaskets - Carburetor	4
Kits/Gaskets - Engine	2
Kits/Gaskets - Valve	3
Lubrication	2
Piston Group	2
Rewind Starter	7

PRINTED IN U.S.A.



COPYRIGHT by BRIGGS & STRATTON CORPORATION
All rights reserved. No part of this material may be reproduced or transmitted, in any form or by any means, electronic or mechanical, including photocopying, recording or by any information storage and retrieval system, without permission in writing from Briggs & Stratton Corporation.

1319 WARNING LABEL



REQUIRED when replacing parts with warning labels affixed.

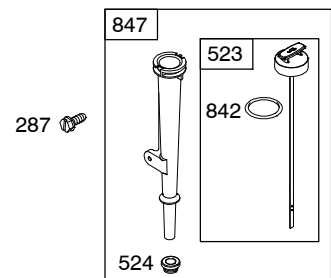
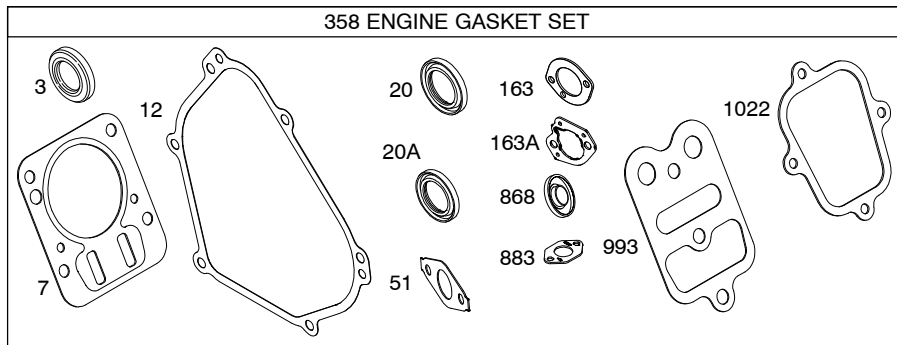
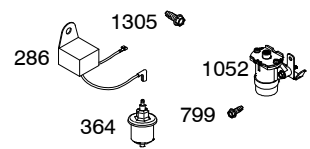
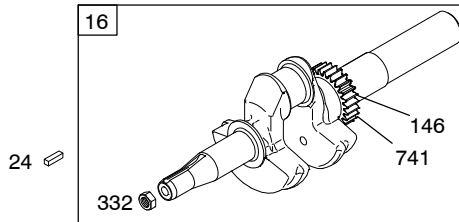
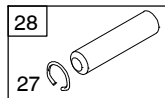
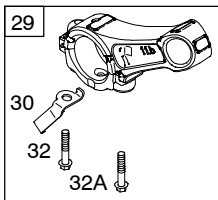
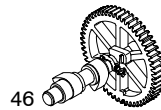
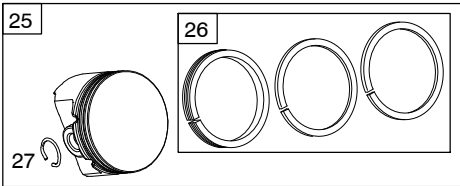
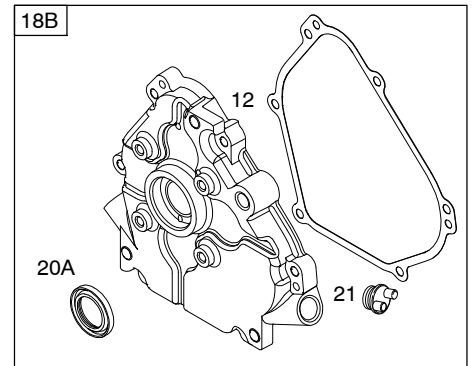
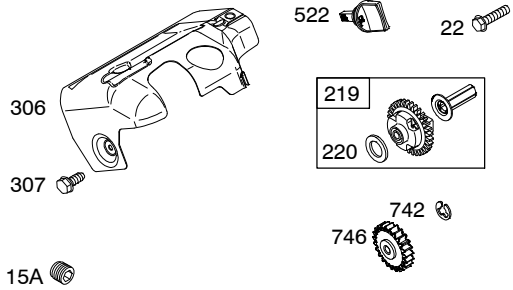
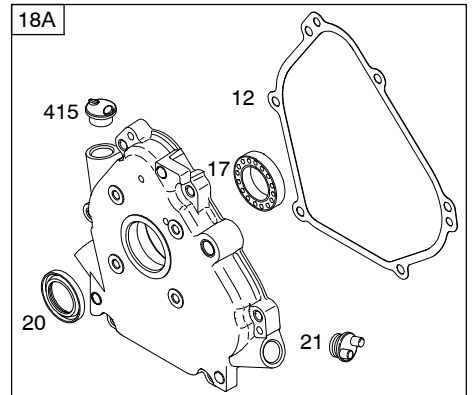
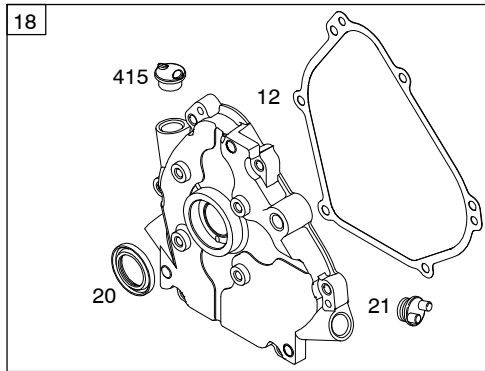
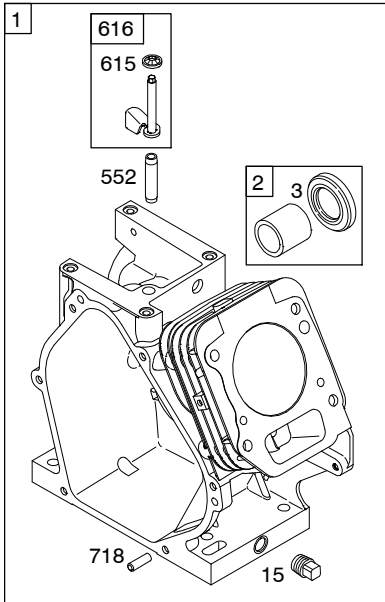
1058 OPERATOR'S MANUAL



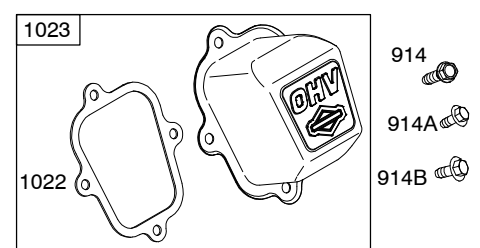
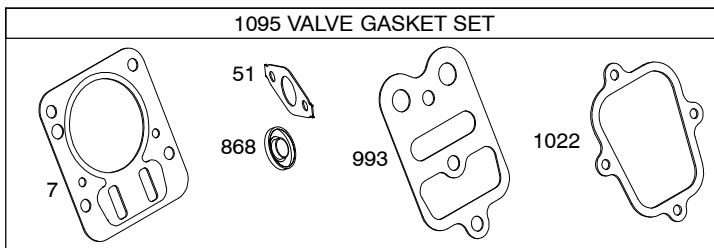
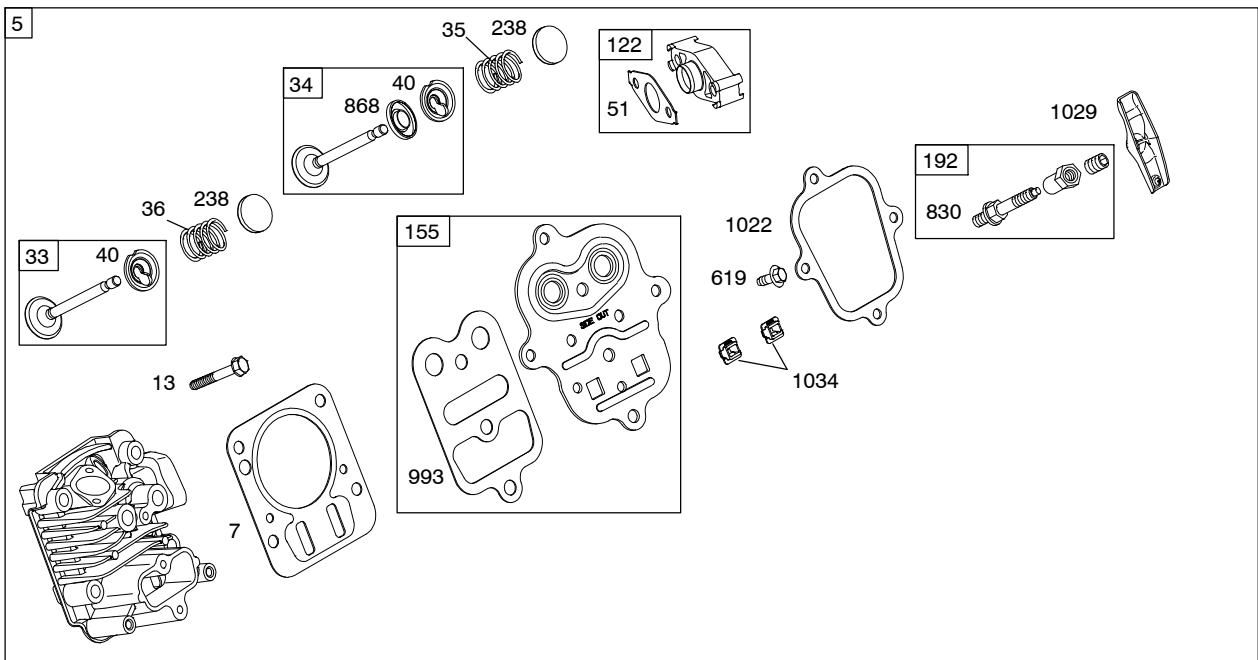
1330 REPAIR MANUAL

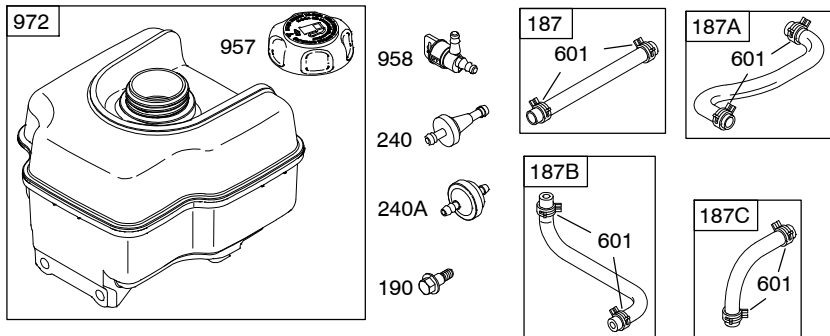
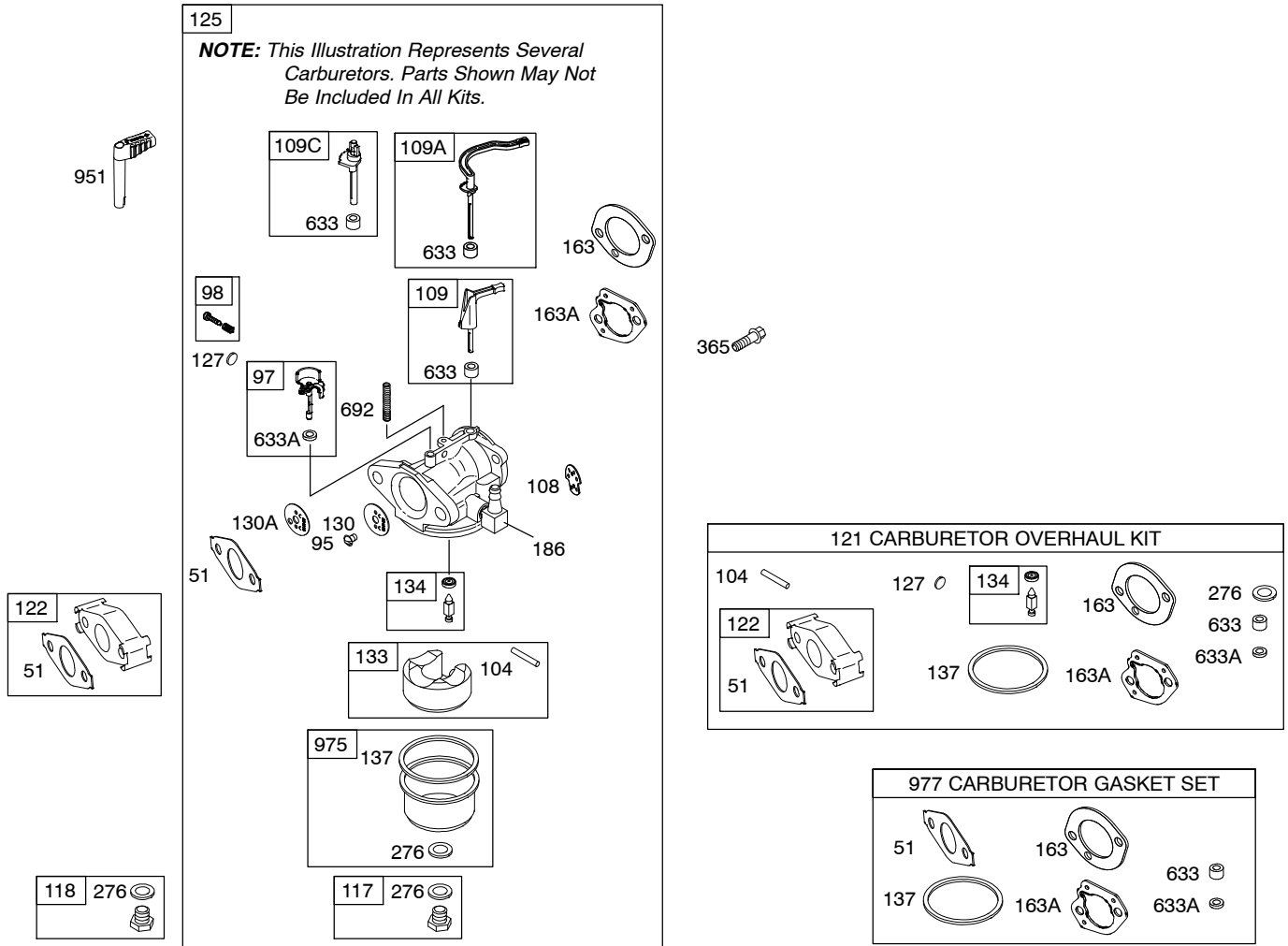


1019 LABEL KIT

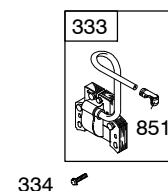
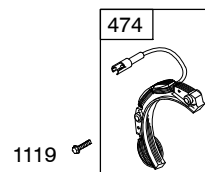
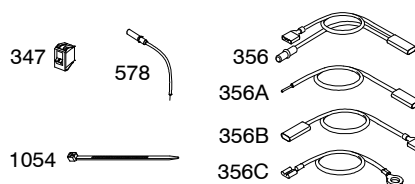
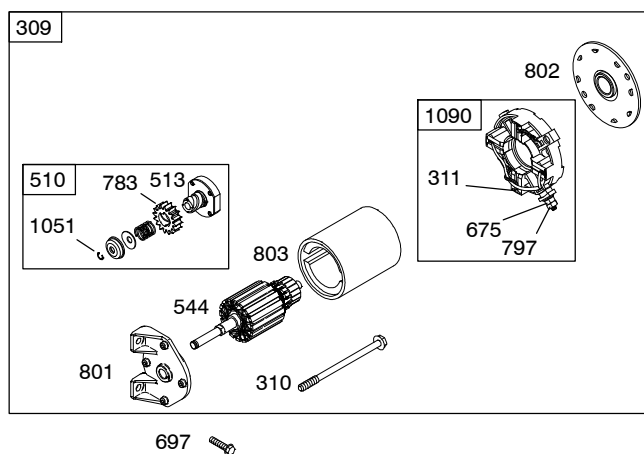
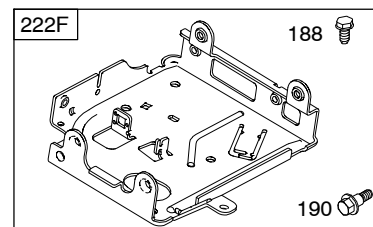
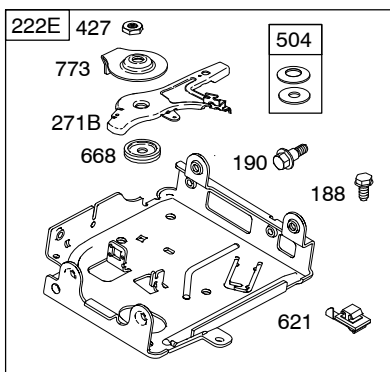
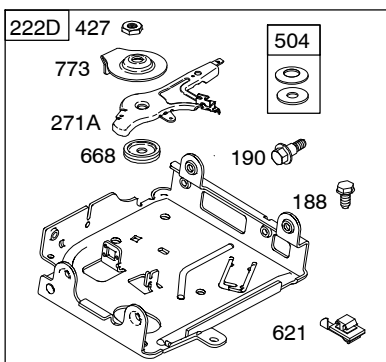
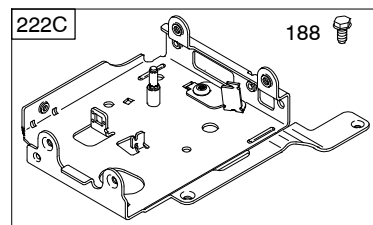
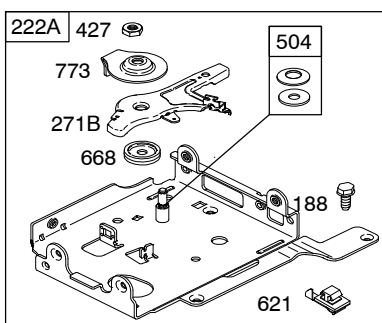
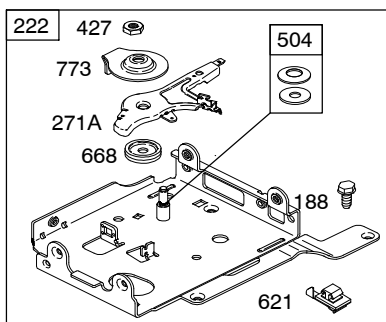
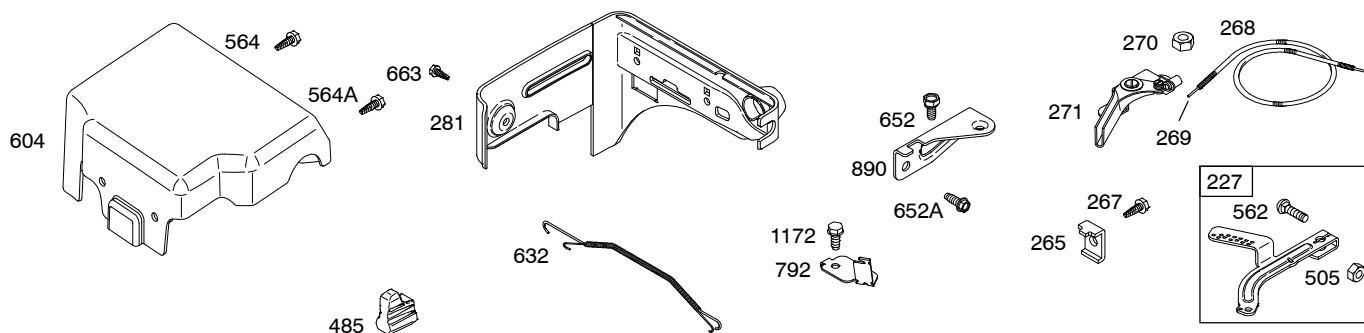


Illustrations cover a range of engines. Parts shown without corresponding text may not be used on your specific engine.

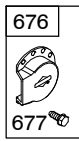
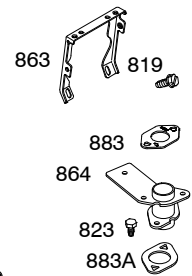
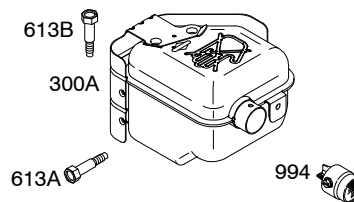
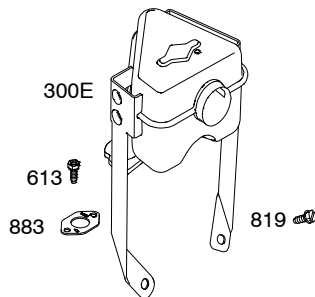
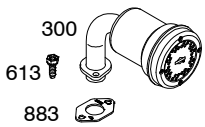
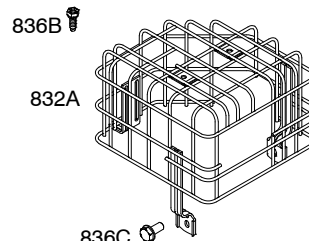
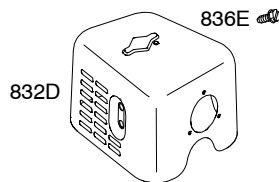
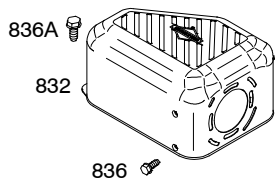
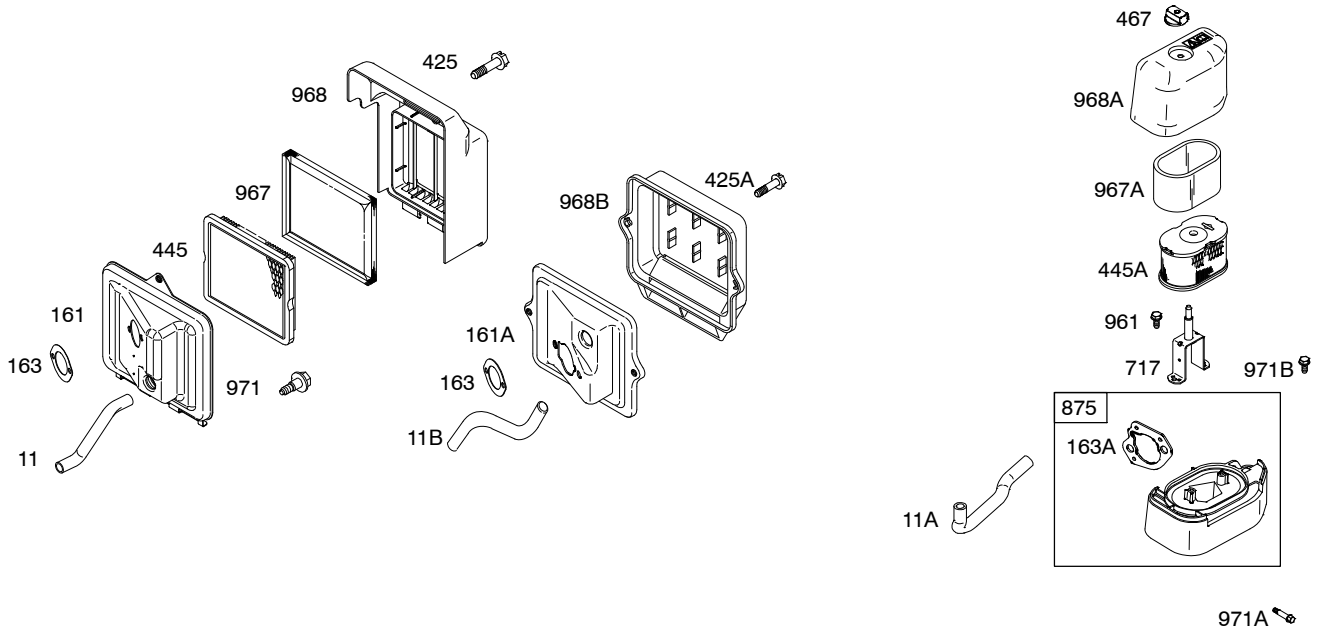




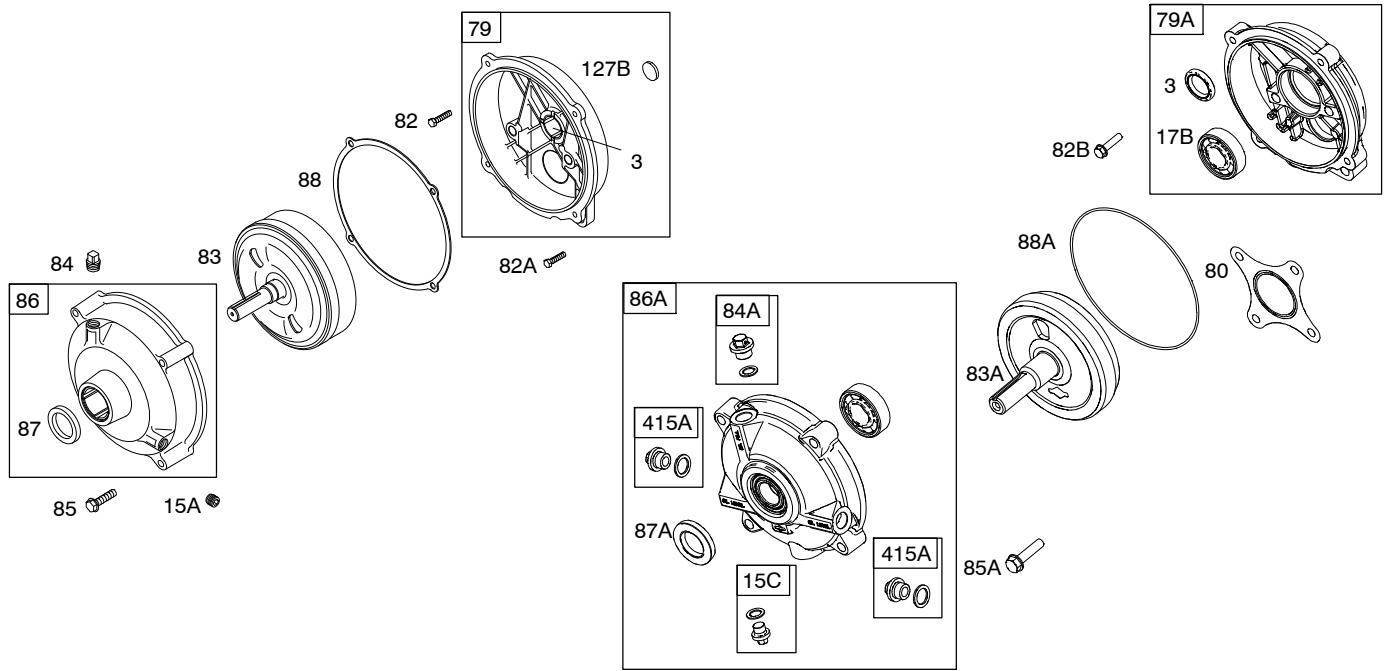
Illustrations cover a range of engines. Parts shown without corresponding text may not be used on your specific engine.
5640-4 Assemblies include all parts shown in frames. **06/06/2008**



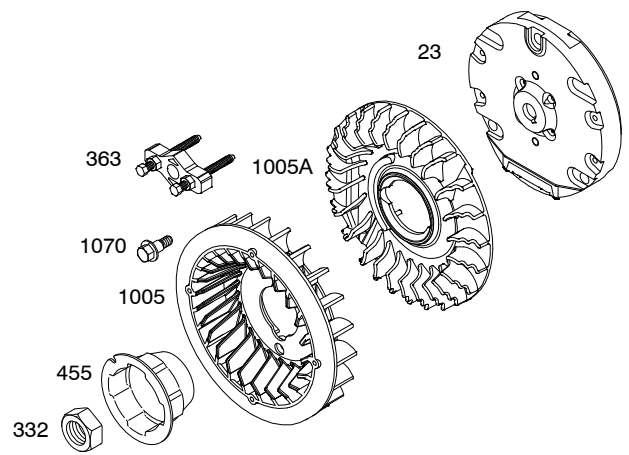
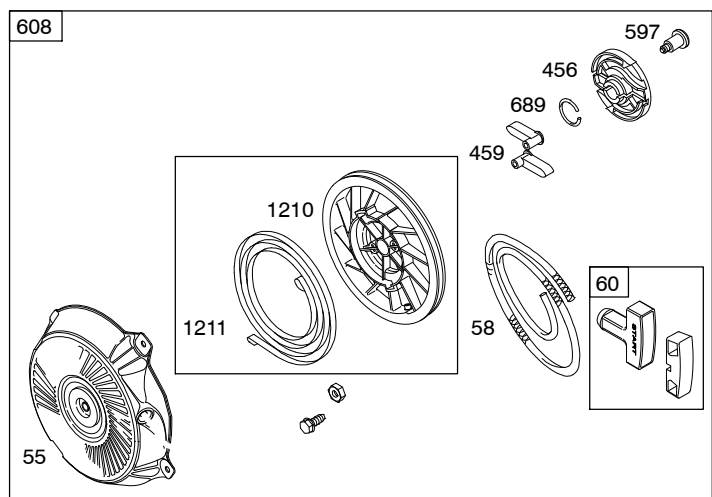
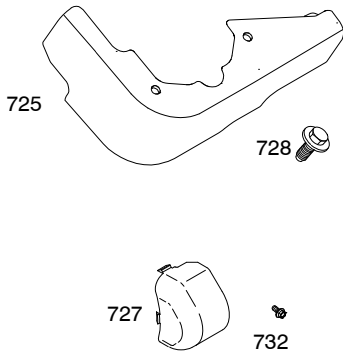
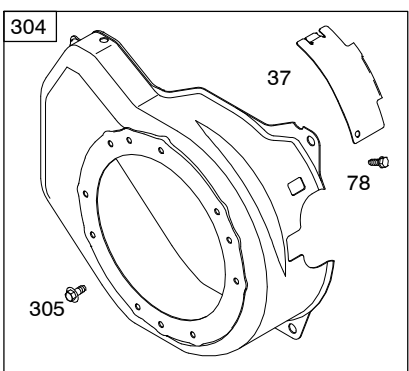
Illustrations cover a range of engines. Parts shown without corresponding text may not be used on your specific engine.



Illustrations cover a range of engines. Parts shown without corresponding text may not be used on your specific engine.
 5640-6 Assemblies include all parts shown in frames. 06/06/2008



1036 EMISSIONS LABEL



Illustrations cover a range of engines. Parts shown without corresponding text may not be used on your specific engine.
 5640-7 Assemblies include all parts shown in frames. 06/06/2008

120300

REF. NO.	PART NO.	DESCRIPTION	REF. NO.	PART NO.	DESCRIPTION	REF. NO.	PART NO.	DESCRIPTION
1	699510	Cylinder Assembly	17	692517	Bearing-Ball	26	791969	Ring Set
2	399269	Kit-Bushing/Seal (Magneto Side)	17B	99158	Bearing-Ball			(Standard)
3	*299819S	Seal-Oil (Magneto Side)	18	699804	Cover-Crankcase			(Used After Code Date 05060600).
5	699486	Head-Cylinder			----- Note -----			----- Note -----
7	*Ø698210	Gasket-Cylinder Head			699696 Cover-Crankcase			499631 Ring Set
11	692600	Tube-Breather (Flat Panel Air Cleaner)			Used on Type No(s). 0213, 0299, 0300, 0335, 0432, 0433, 0769, 0781, 3781.			(Standard)
11A	693647	Tube-Breather (High Mount Air Cleaner)			699804 Cover-Crankcase			(Used Before Code Date 05060700).
11B	790632	Tube-Breather (Ultra Low Air Cleaner)			(Used After Code Date 07070200).			791324 Ring Set
12	*699485	Gasket-Crankcase			Used on Type No(s). 0137.			(.020" Oversize)
13	699482	Screw (Cylinder Head)	18A	699672	Cover-Crankcase			(Used After Code Date 05060600).
15	691686	Plug-Oil Drain (Square Head)			Used on Type No(s). 0036, 0131, 0149, 0159, 0166, 0388.			692786 Ring Set
15A	691682	Plug-Oil Drain (Flush)	18B	699761	Cover-Crankcase			(.020" Oversize)
15C	792750	Plug-Oil Drain			(Used Before Code Date 07070300).			(Used After Code Date 05060600).
16	699445	Crankshaft			Used on Type No(s). 0137.			692786 Ring Set
		----- Note -----						(.020" Oversize)
		699443 Crankshaft	20	*692550	Seal-Oil (PTO Side)			(Used Before Code Date 05060700).
		Used on Type No(s). 0036, 0131, 0149, 0159, 0166, 0388.	20A	*694171	Seal-Oil (PTO Side)	27	691866	Lock-Piston Pin
		699447 Crankshaft			Used on Type No(s). 0135, 0137.	28	499423	Pin-Piston
		Used on Type No(s). 0132, 0135, 0137, 0138, 0145.	21	281658S	Cap-Oil Fill	29	690124	Rod-Connecting
		699452 Crankshaft	22	699478	Screw (Crankcase Cover/ Sump)	30	791584	Dipper-Connecting Rod
		Used on Type No(s). 0158, 0321, 0414.	23	699488	Flywheel	32	691664	Screw (Connecting Rod)
		699449 Crankshaft			----- Note -----	32A	695759	Screw (Connecting Rod)
		Used on Type No(s). 0242, 0299, 0327.			699514 Flywheel	33	499642	Valve-Exhaust
		699451 Crankshaft	24	222698S	Key-Flywheel	34	499641	Valve-Intake
		Used on Type No(s). 0150, 0337.	25	791968	Piston Assembly (Standard)	35	691304	Spring-Valve (Intake)
		792883 Crankshaft			----- Note -----	36	691304	Spring-Valve (Exhaust)
		(Used After Code Date 06051600).			699514 Flywheel	37	699661	Guard-Flywheel
		Used on Type No(s). 0147, 0161.			Used on Type No(s). 0121.	40	692194	Retainer-Valve
		699444 Crankshaft				45	690977	Tappet-Valve
		(Used Before Code Date 06051700).				46	693404	Camshaft
		Used on Type No(s). 0147.				51	*♦♦Ø692555	Gasket-Intake

★ Included in Engine Gasket Set-Ref. No.358.

● Included in Carburetor Overhaul Kit-Ref. No. 121.

◆ Included in Carburetor Gasket Set-Ref. No. 977.

Ø Included in Valve Gasket Set-Ref. No 1095.

Illustrations cover a range of engines. Parts shown without corresponding text may not be used on your specific engine.

5640-8

Assemblies include all parts shown in frames.

06/06/2008

REF. NO.	PART NO.	DESCRIPTION	REF. NO.	PART NO.	DESCRIPTION	REF. NO.	PART NO.	DESCRIPTION
55	791848	Housing–Rewind Starter (Used After Code Date 08030200). ----- Note ----- 691422 Housing–Rewind Starter (Used Before Code Date 08030300). (Rewind Starter Parts Used With 3MM Diameter Starter Rope) 791848 Housing–Rewind Starter (Used Before Code Date 08030300). (Rewind Starter Parts Used With 5MM Diameter Starter Rope)	80	792755	Gasket–Gear Case	88	691600	Gasket–Gear Reduction Cover
			82	690369	Screw (Gear Reduction Case) (Used Before Code Date 06051700).	88A	792760	Gasket–Gear Reduction Cover
			82A	790197	Screw (Gear Reduction Case) (Used Before Code Date 06051700).	95	691636	Screw (Throttle Valve)
			82B	792753	Screw (Gear Reduction Case) (Used After Code Date 06051600).	97	690024	Shaft–Throttle
			83	690374	Shaft–Auxiliary Drive (Used Before Code Date 06051700).	98	398185	Kit–Idle Speed (Carburetor)
			83A	792756	Shaft–Auxiliary Drive (Used After Code Date 06051600).	104	691242	Pin–Float Hinge
			84	691121	Plug–Breather	108	692567	Valve–Choke
			84A	792759	Plug–Breather	109	690023	Shaft–Choke
			85	692551	Screw (Gear Cover to Gear Reduction) (Used Before Code Date 06051700).	109A	693628	Shaft–Choke
						109C	790624	Shaft–Choke
			85A	690711	Screw (Gear Cover to Gear Reduction) (Used After Code Date 06051600).	117	690048	Jet–Main (Standard) ----- Note ----- 698344 Jet–Main (Standard) Used on Type No(s). 0147, 0158, 0161, 0213, 0335. 691428 Jet–Main (Standard) Used on Type No(s). 0132, 0135, 0137, 0138, 0145.
			86	690608	Cover–Gear (Used Before Code Date 06051700).	118	498976	Jet–Main (High Altitude) ----- Note ----- 694176 Jet–Main (High Altitude) Used on Type No(s). 0147, 0158, 0161, 0213, 0335. 695042 Jet–Main (High Altitude) Used on Type No(s). 0132, 0135, 0137, 0138, 0145.
			86A	795647	Cover–Gear (Used After Code Date 08010100). ----- Note ----- 792748 Cover–Gear (Used After Code Date 06051600 and Before Code Date 08010200).	121	792006	Kit–Carburetor Overhaul
			87	691582	Seal–Gear Reduction (Used Before Code Date 06051700).	122	693749	Spacer–Carburetor
			87A	792752	Seal–Gear Reduction (Used After Code Date 06051600).			
58	693389	Rope–Starter (Used After Code Date 08030200). ----- Note ----- 693389 Rope–Starter (Used Before Code Date 08030300). (Rewind Starter Parts Used With 3MM Diameter Starter Rope) 66574 Rope–Starter (Used Before Code Date 08030300). (Rewind Starter Parts Used With 5MM Diameter Starter Rope)						
60	490652	Grip–Starter Rope (2 Piece)						
78	699205	Screw (Flywheel Guard)						
79	694511	Case–Gear Reduction (Used Before Code Date 06051700).						
79A	792746	Case–Gear Reduction (Used After Code Date 06051600).						

★ Included in Engine Gasket Set–Ref. No.358.

● Included in Carburetor Overhaul Kit–Ref. No. 121.

◆ Included in Carburetor Gasket Set–Ref. No. 977.

⊗ Included in Valve Gasket Set–Ref. No 1095.

Illustrations cover a range of engines. Parts shown without corresponding text may not be used on your specific engine.

5640–9

Assemblies include all parts shown in frames.

06/06/2008

120300

REF. NO.	PART NO.	DESCRIPTION	REF. NO.	PART NO.	DESCRIPTION	REF. NO.	PART NO.	DESCRIPTION
125	698474	Carburetor ----- Note ----- 698475 Carburetor Used on Type No(s). 0147, 0158, 0161, 0213, 0335. 791991 Carburetor Used on Type No(s). 0132, 0135, 0137, 0138, 0145.	192	694543	Adjustor-Rocker Arm	227	692573	Lever-Governor Control
			209	692571	Spring-Governor ----- Note ----- 693206 Spring-Governor Used on Type No(s). 0121, 0132, 0133, 0135, 0137, 0138, 0141, 0145, 0336.	238	691300	Valve-Cap
			209A	691278	Spring-Governor	240	694485	Filter-Fuel
			219	693578	Gear-Governor	240A	394358S	Filter-Fuel
			220	691724	Washer (Governor Gear)	265	691024	Clamp-Casing
127	●691739	Plug-Welch				267	699492	Screw (Casing Clamp)
127B	●691585	Plug-Welch				268	691025	Casing-Control Wire (Cut to Required Length)
130	691181	Valve-Throttle	222	699589	Bracket-Control (Used Before Code Date 06051500).	269	691026	Wire-Control (Cut to Required Length)
130A	691203	Valve-Throttle Used on Type No(s). 0132, 0135, 0137, 0138, 0145.	222A	699591	Bracket-Control (Used Before Code Date 06051500). Used on Type No(s). 0143, 0146.	270	691027	Nut (Control Wire Casing)
133	398187	Float-Carburetor				271	691028	Lever-Control
134	●398188	Kit-Needle/Seat	222C	699493	Bracket-Control (Used Before Code Date 06051500). Used on Type No(s). 0132, 0145.	271A	694256	Lever-Control
137	●◆693981	Gasket-Float Bowl				271B	695743	Lever-Control
146	690979	Key-Timing				276	●271716	Washer-Sealing
155	★698214	Plate-Cylinder Head				281	793122	Panel-Control
161	699207	Base-Air Cleaner (Flat Panel Air Cleaner)				286	698611	Module-Oil Sensor
161A	790631	Base-Air Cleaner (Ultra Low Air Cleaner)				287	699629	Screw (Dipstick Tube)
163★●◆696024		Gasket-Air Cleaner (Flat Panel Air Cleaner)				300	693593	Muffler
163A★●◆792870		Gasket-Air Cleaner (High Mount)				300A	699231	Muffler
186	692317	Connector-Hose	222D	793107	Bracket-Control (Used After Code Date 06051400).	300E	791595	Muffler
187	791766	Line-Fuel (Cut to Required Length)	222E	793108	Bracket-Control (Used After Code Date 06051400). Used on Type No(s). 0143, 0146, 0244.	304	699598	Housing-Blower
187A	791867	Line-Fuel (Molded)				305	699480	Screw (Blower Housing)
187B	791874	Line-Fuel (Molded)	222F	793100	Bracket-Control (Used After Code Date 06051400). Used on Type No(s). 0132, 0135, 0137, 0138, 0145.	306	693610	Shield-Cylinder
187C	791866	Line-Fuel (Molded)				307	699483	Screw (Cylinder Shield)
188	699479	Screw (Control Bracket)				309	694504	Motor-Starter
190	699220	Screw (Fuel Tank)				310	690323	Screw (Starter Motor)

★ Included in Engine Gasket Set-Ref. No.358.

● Included in Carburetor Overhaul Kit-Ref. No. 121.

◆ Included in Carburetor Gasket Set-Ref. No. 977.

⊘ Included in Valve Gasket Set-Ref. No 1095.

Illustrations cover a range of engines. Parts shown without corresponding text may not be used on your specific engine.

5640-10

Assemblies include all parts shown in frames.

06/06/2008

REF. NO.	PART NO.	DESCRIPTION	REF. NO.	PART NO.	DESCRIPTION	REF. NO.	PART NO.	DESCRIPTION
311	497608	Brush Set	474	694457	Alternator	608	795930	Starter-Rewind
332	792723	Nut (Flywheel)			----- Note -----			(Used After Code Date 08030200).
333	695711	Armature-Magneto			793640 Alternator			----- Note -----
334	699477	Screw (Magneto Armature)			Used on Type No(s). 0121.			693394 Starter- Rewind
337	491055S	Plug-Spark (Resistor)	485	695755	Knob-Control			(Used Before Code Date 08030300).
		----- Note -----	504	694254	Washer Set-Friction			(Rewind Starter Parts Used With 3MM Diameter Starter Rope)
		691043 Plug-Spark (EMS)	485	695755	Knob-Control			
346	690661	Screw (Spark Arrestor)	505	691251	Nut (Governor Control Lever)			
347	697854	Switch-Rocker	510	499308	Drive-Starter			
		----- Note -----	513	692024	Drive-Clutch			791670 Starter- Rewind
		698338 Switch-Rocker	522	697689	Plug-Dipstick/Fill			(Used Before Code Date 08030300).
		Used on Type No(s). 0132, 0135, 0137, 0138.	523	693618	Dipstick			(Rewind Starter Parts Used With 5MM Diameter Starter Rope)
356	693651	Wire-Stop			----- Note -----			
356A	692390	Wire-Stop	524	281370S	Seal-Dipstick Tube			
356B	692602	Wire-Stop	544	692966	Armature-Starter	613	699209	Screw (Muffler)
356C	695630	Wire-Stop	552	692346	Bushing-Governor Crank	613A	699480	Screw (Muffler)
358	791797	Gasket Set-Engine	562	691119	Bolt (Governor Control Lever)	613B	697812	Screw (Muffler)
363	19203	Puller-Flywheel	564	699491	Screw (Control Cover)	615	692576	Retainer-Governor Shaft
364	695693	Terminal-Oil Plug	564A	699492	Screw (Control Cover)	616	692547	Crank-Governor
365	699484	Screw (Carburetor)			----- Note -----	619	699480	Screw (Cylinder Head Plate)
383	19374S	Wrench-Spark Plug			699206 Screw (Control Cover)	621	692310	Switch-Stop
415	693463	Plug			Used on Type No(s). 0132, 0145.	632	693408	Spring/Link- Mechanical Governor
415A	792749	Plug	578	692306	Wire Assembly	633	◆◆693867	Seal-Choke/Throttle Shaft
425	699208	Screw (Air Cleaner Cover)	597	691696	Screw (Pawl Friction Plate)	633A	◆◆691321	Seal-Choke/Throttle Shaft
425A	699492	Screw (Air Cleaner Cover)	601	791850	Clamp-Hose	635	692076	Boot-Spark Plug
427	694255	Nut (Control Bracket)	604	697326	Cover-Control	635A	692927	Boot-Spark Plug
445	491588S	Filter-Air Cleaner Cartridge (Flat Panel)				652	699755	Screw (Support Bracket)
445A	697029	Filter-Air Cleaner Cartridge (High Mount)				652A	699480	Screw (Support Bracket)
455	692591	Cup-Flywheel				663	699206	Screw (Control Panel)
456	692299	Plate-Pawl Friction				668	694257	Spacer
459	281505S	Pawl-Ratchet				675	691261	Washer (Brush Retainer)
467	691668	Knob-Air Cleaner						

★ Included in Engine Gasket Set-Ref. No.358.

● Included in Carburetor Overhaul Kit-Ref. No. 121.

◆ Included in Carburetor Gasket Set-Ref. No. 977.

⊘ Included in Valve Gasket Set-Ref. No 1095.

Illustrations cover a range of engines. Parts shown without corresponding text may not be used on your specific engine.

5640-11

Assemblies include all parts shown in frames.

06/06/2008

120300

REF. NO.	PART NO.	DESCRIPTION	REF. NO.	PART NO.	DESCRIPTION	REF. NO.	PART NO.	DESCRIPTION		
676	393757	Deflector-Muffler	832	693583	Guard-Muffler	957	694261	Cap-Fuel Tank		
677	690661	Screw (Muffler Deflector)	832A	697818	Guard-Muffler	958	698180	Valve-Fuel Shut Off		
689	691855	Spring-Friction	832D	791600	Guard-Muffler	961	698304	Screw (Air Cleaner Bracket)		
692	690572	Spring-Detent	836	699203	Screw (Muffler Guard)	967	493537S	Filter-Pre Cleaner (Flat Panel)		
697	790537	Screw (Starter Motor) (Used After Code Date 04110800).	836A	699632	Screw (Muffler Guard)	967A	273356S	Filter-Pre Cleaner (High Mount)		
		----- Note -----	836B	699209	Screw (Muffler Guard)	968	692584	Cover-Air Cleaner (Flat Panel Air Cleaner)		
		699773 Screw (Starter Motor) (Used Before Code Date 04110900).	836C	699234	Screw (Muffler Guard)	968A	693460	Cover-Air Cleaner (High Mount)		
717	693462	Bracket-Air Cleaner	836E	699755	Screw (Muffler Guard)	968B	791082	Cover-Air Cleaner (Ultra Low Air Cleaner)		
718	690959	Pin-Locating	842	691031	Seal-O Ring (Dipstick Tube)	971	690370	Screw (Air Cleaner Base)		
725	792874	Shield-Heat	847	693617	Dipstick/Tube Assembly	971A	690349	Screw (Air Cleaner Base)		
727	698039	Cover-Starter Drive			----- Note -----	971B	699629	Screw (Air Cleaner Base)		
728	699632	Screw (Heat Shield)			790545 Dipstick/Tube Assembly Used on Type No(s). 0327.	972	694260	Tank-Fuel		
732	699200	Screw (Starter Drive Cover)	851	493880S	Terminal-Spark Plug	975	493640	Bowl-Float		
741	692565	Gear-Timing	863	699229	Bracket-Muffler	977	697001	Gasket Set-Carburetor		
742	692564	Retainer-E Ring	864	699232	Adapter-Muffler	993	Ø694088	Gasket-Cylinder Head Plate		
746	790278	Gear-Idler	868	*Ø692044	Seal-Valve	994	790153	Arrester-Spark		
773	694258	Retainer	875	697030	Base-Air Cleaner (High Mount)	994A	399541	Arrester-Spark		
783	692353	Gear-Pinion	883	*691893	Gasket-Exhaust	1005	692592	Fan-Flywheel		
792	694259	Bracket-Fixed Speed	883A	*692237	Gasket-Exhaust	1005A	794273	Fan-Flywheel		
797	691029	Nut (Brush Retainer)	890	790203	Bracket-Support	1019	694852	Kit-Label		
799	699202	Screw (Oil Sensor)	914	699480	Screw (Rocker Cover) (Bottom)	1022	*Ø691890	Gasket-Rocker Cover		
801	694482	Cap-Drive	914A	692557	Screw (Rocker Cover) (Top)	1023	499924	Cover-Rocker Arm		
802	691286	Cap-End	914B	697551	Screw (Rocker Cover) (Center)	1026	790287	Rod-Push		
803	693757	Housing-Starter			951	790630	Lever-Choke			
819	699233	Screw (Muffler Bracket)						1029	691230	Arm-Rocker
823	699209	Screw (Muffler Adapter)						1034	691343	Guide-Push Rod
830	694544	Stud-Rocker Arm						1036		Label-Emissions (Available From An Authorized Briggs & Stratton Sevice Dealer)

★ Included in Engine Gasket Set-Ref. No.358.

● Included in Carburetor Overhaul Kit-Ref. No. 121.

◆ Included in Carburetor Gasket Set-Ref. No. 977.

Ø Included in Valve Gasket Set-Ref. No 1095.

Illustrations cover a range of engines. Parts shown without corresponding text may not be used on your specific engine.

5640-12

Assemblies include all parts shown in frames.

06/06/2008

REF. NO.	PART NO.	DESCRIPTION	REF. NO.	PART NO.	DESCRIPTION	REF. NO.	PART NO.	DESCRIPTION
1051	691265	Ring-Retaining	1211	791849	Pulley/Spring	1305	691140	Screw
1052	790141	Sensor-Oil			Assembly			(Oil Sensor Module)
1054	280275	Cable-Tie			(Spring)			----- Note -----
1058	277040	Operator's Manual			(Used After Code Date			699691 Screw
1070	699201	Screw			08030200).			(Oil Sensor Module)
		(Flywheel Fan)			----- Note -----			Used on Type No(s).
1090	691293	Retainer-Brush			498144 Pulley/Spring			0159, 0166.
1095	698215	Gasket Set-Valve			Assembly	1319	794467	Label-Warning
1119	699772	Screw			(Spring)	1330	272147	Repair Manual
		(Alternator)			(Used Before Code			
1172	699230	Screw			Date 08030300).			
		(Fixed Speed Bracket)			(Rewind Starter Parts			
1210	791849	Pulley/Spring			Used With 3MM			
		Assembly			Diameter Starter			
		(Pulley)			Rope)			
		(Used After Code Date			791849 Pulley/Spring			
		08030200).			Assembly			
		----- Note -----			(Spring)			
		498144 Pulley/Spring			(Used Before Code			
		Assembly			Date 08030300).			
		(Pulley)			(Rewind Starter Parts			
		(Used Before Code			Used With 5MM			
		Date 08030300).			Diameter Starter			
		(Rewind Starter Parts			Rope)			
		Used With 3MM						
		Diameter Starter						
		Rope)						
		791849 Pulley/Spring						
		Assembly						
		(Pulley)						
		(Used Before Code						
		Date 08030300).						
		(Rewind Starter Parts						
		Used With 5MM						
		Diameter Starter						
		Rope)						

★ Included in Engine Gasket Set-Ref. No.358.

● Included in Carburetor Overhaul Kit-Ref. No. 121.

◆ Included in Carburetor Gasket Set-Ref. No. 977.

⊗ Included in Valve Gasket Set-Ref. No 1095.

Illustrations cover a range of engines. Parts shown without corresponding text may not be used on your specific engine.

5640-13

Assemblies include all parts shown in frames.

06/06/2008

Free Manuals Download Website

<http://myh66.com>

<http://usermanuals.us>

<http://www.somanuals.com>

<http://www.4manuals.cc>

<http://www.manual-lib.com>

<http://www.404manual.com>

<http://www.luxmanual.com>

<http://aubethermostatmanual.com>

Golf course search by state

<http://golfingnear.com>

Email search by domain

<http://emailbydomain.com>

Auto manuals search

<http://auto.somanuals.com>

TV manuals search

<http://tv.somanuals.com>