

124800 to 124899

Illustrated Parts List

Model Series

124800 to 124899

TYPE NUMBERS

0106,
0206 through 0284,
0406 through 0472,
0508 through 0560,
0610,
3100 through 3130,
3201 through 3246,
3401 through 3440.

TO FIND

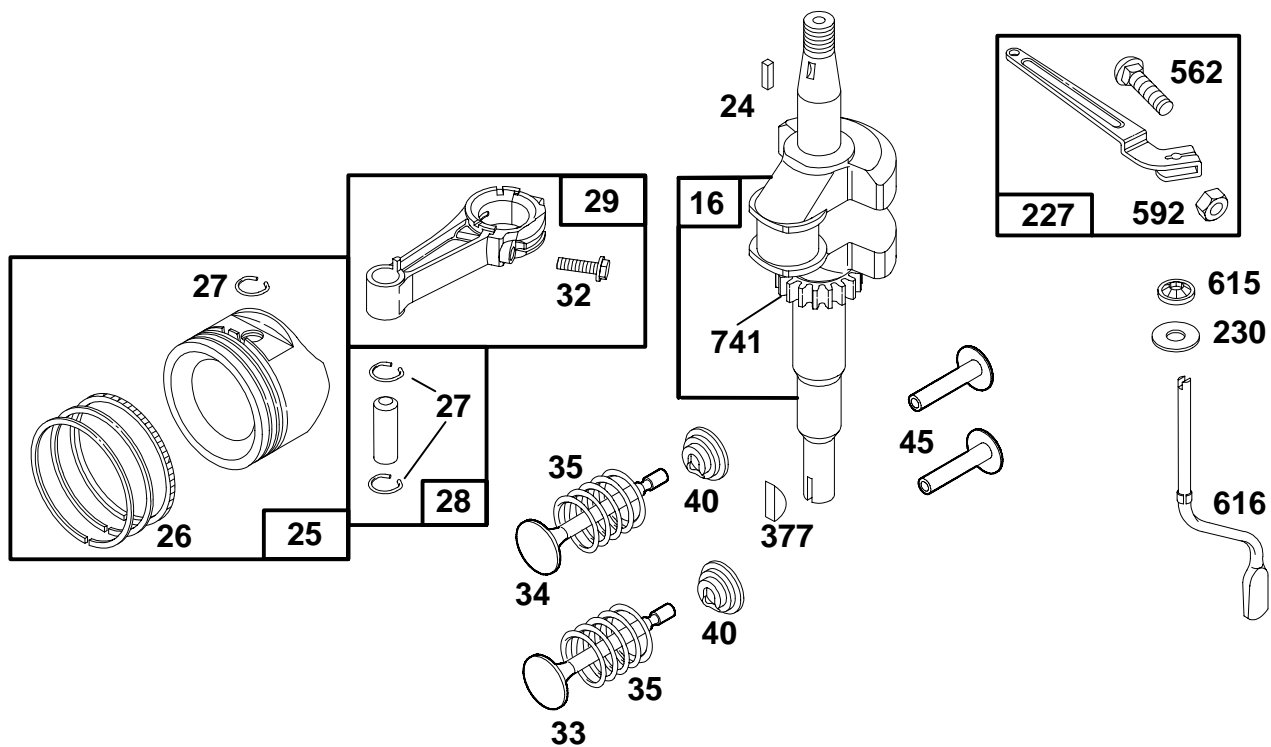
THE CORRECT NUMBER OF THE PART YOU NEED: FOLLOW THE INSTRUCTIONS BELOW

- A. Refer to Engine Model, Type and Code Number that is stamped on the blower housing of engine. Engine type numbers such as 0123 01 are listed only as 0123 in most instances. The two digits (01 or 02, etc.) to the right of the space may be required for more accurate parts identification in some instances. Select the Illustrated Parts List covering the correct Model Series and Type Number.
- B. Refer to the Illustrations and compare the original part with Illustration. The number next to the illustration is the Reference Number. Assemblies include all parts shown in frames. All parts shown in assembly frames having individual reference numbers can be purchased separately.
- C. After the Reference Number has been identified, refer to the Numerical text, where Reference and Primary Part Number are listed. **THE PRIMARY PART IS USED ON ALL TYPE NUMBERS EXCEPT THOSE TYPE NUMBERS UNDER "NOTE."**
- D. If a "Note" appears below the Primary Part Number, it means that this part differs from the Primary Part for certain types. If your Type number is listed under "Note," order the part referred to at the "Note."
- E. If your Engine Type Number does not appear after any part number listed under "Note," use the Primary Part Number.
- F. For Engine Type Numbers not covered by this book, check other Parts Lists having the same engine model or contact your source of supply.

PRINTED IN U.S.A.

COPYRIGHT©





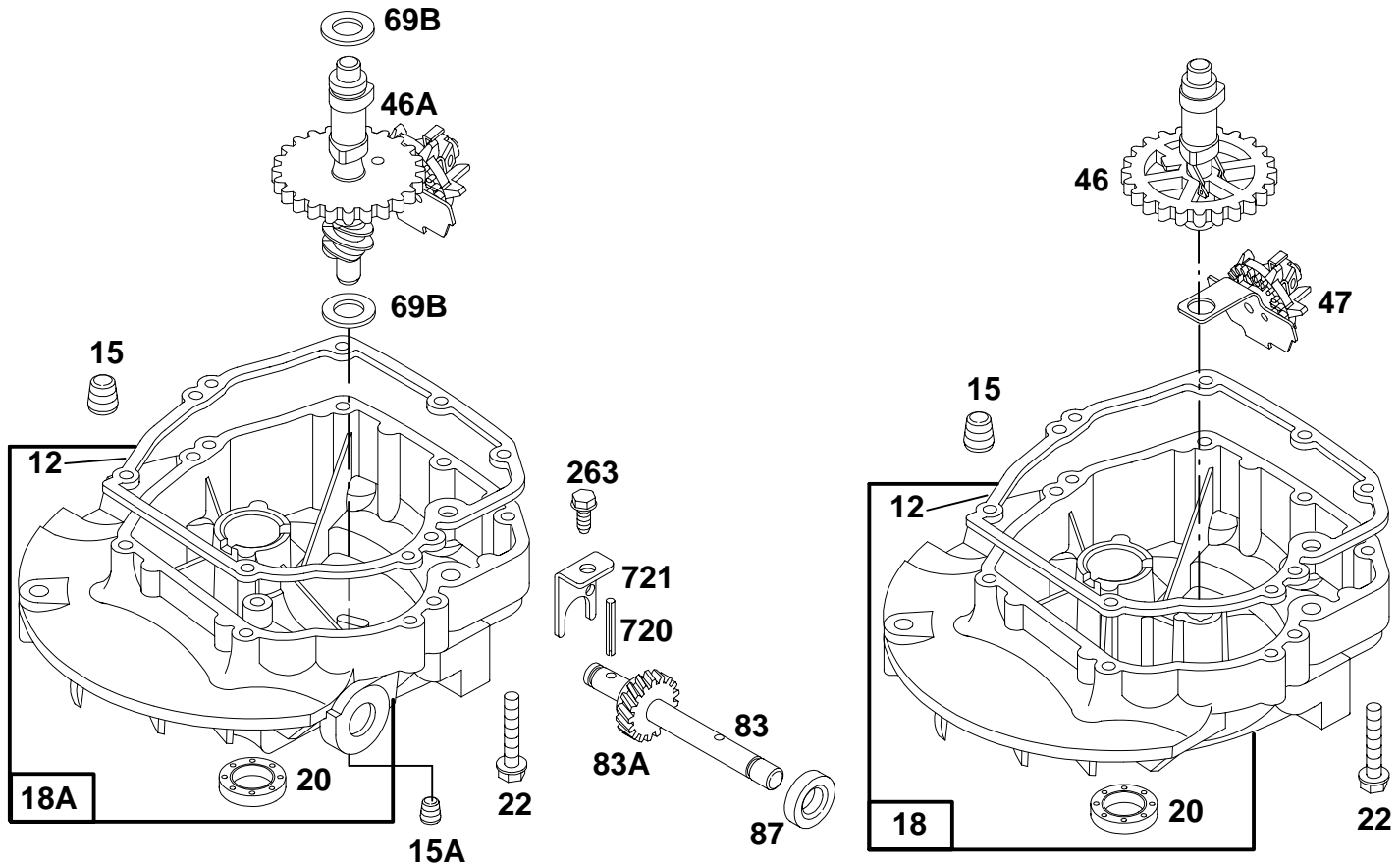
| REF. NO. | PART NO. | DESCRIPTION | REF. NO. | PART NO. | DESCRIPTION | REF. NO. | PART NO. | DESCRIPTION |
|----------|----------|-------------------------------------|----------|----------|-------------------------------------|----------|----------|---|
| 16 | | Crankshaft See Last Page. | | 493389 | Ring Set (.020" O.S.) | 33 | 262651 | Valve-Exhaust |
| 24 | 222698 | Key-Flywheel | | 493390 | Ring Set (.030" O.S.) | 34 | 262652 | Valve-Intake |
| 25 | 493262 | Piston Assy. (Standard) | 27 | 26026 | Lock-Piston Pin | 35 | 262224 | Spring-Valve |
| | | 493385 Piston Assy. (.010" O.S.) | 28 | 298909 | Pin-Piston (Standard) | 40 | 93312 | Retainer-Valve |
| | | 493386 Piston Assy. (.020" O.S.) | | | 298908 Pin-Piston (.005" O.S.) | 45 | 262204 | Tappet-Valve |
| | | 493387 Piston Assy. (.030" O.S.) | 29 | 490566 | Rod-Connecting | 227 | 492349 | Lever Assembly-Gov. |
| 26 | 493261 | Ring Set (Standard) | | 490743 | Rod-Connecting (.020" Undersize) | 230 | 67072 | Washer-Gov. Crank |
| | | 493388 Ring Set (.010" O.S.) | 32 | 94699 | Screw-Connecting Rod | 377 | 94329 | Key-Woodruff (For 25 mm Crankshaft) |
| | | | | | | 562 | 92613 | Bolt-Governor Lever |
| | | | | | | 592 | 231082 | Nut-Hex. |
| | | | | | | 615 | 94474 | Fastener |
| | | | | | | 616 | 262578 | Crank-Governor |
| | | | | | | 741 | 262598 | Gear-Timing |

- ★ Included in Gasket Set-See Ref. 358.
- Included in Carburetor Kit-Part No. 493762.
- ◆ Included in Carburetor Gasket Set-Part No. 490937.

2436-3

Assemblies include all parts shown in frames.

124800 to 124899

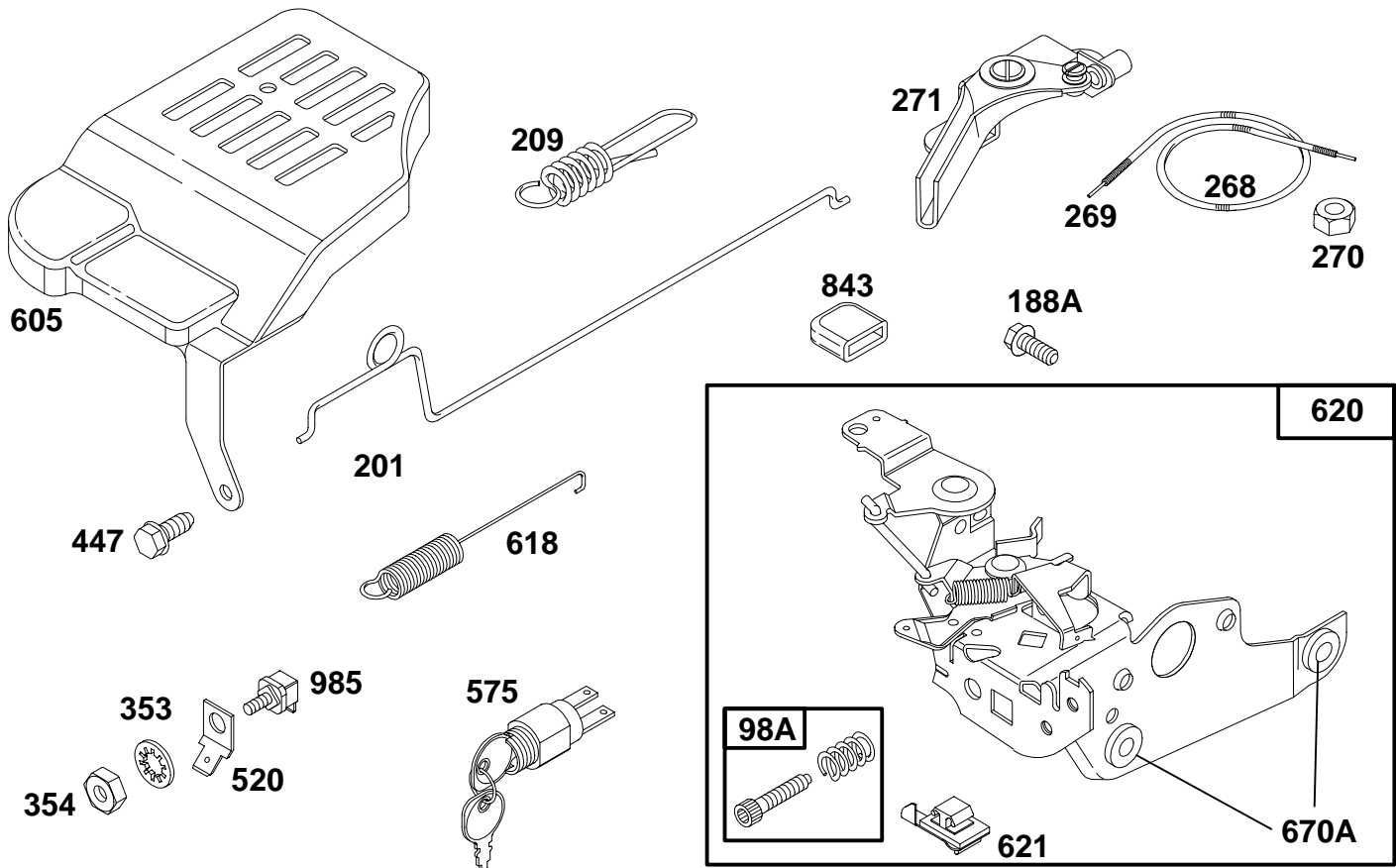


| REF. NO. | PART NO. | DESCRIPTION | REF. NO. | PART NO. | DESCRIPTION | REF. NO. | PART NO. | DESCRIPTION |
|----------|----------|---|----------|----------|--|--|----------|----------------|
| 12 | ★272198 | Gasket-Crankcase | 46A | 493738 | Gear-Cam (Counterclockwise) | 83 | 231671 | Shaft-Drive |
| 15 | 94613 | Plug-Oil Drain | 47 | 493737 | Slinger-Oil (Used After Code Date 90030450 and 90031800). | Note 231711 Gear-Drive Used on Type No(s). 3424. 231748 Gear-Drive Used on Type No(s). 0219, 0220, 0262, 0267, 0426, 0470. 231909 Gear-Drive Used on Type No(s). 0516, 3241. | | |
| 15A | 94470 | Plug-Oil Drain (Hex. Socket, 1/16-27 NPTF) | | | Note 492524 Slinger-Oil (Used Before Code Date 90030550 and 90031900). | 83A | 231279 | Gear-Drive |
| 18 | 493279 | Sump-Engine | 69B | 68938 | Washer-Thrust | 87 | 391484 | Seal-Oil |
| 18A | 493365 | Sump-Engine | | | | 263 | 93572 | Screw-Self Tap |
| 20 | ★399781 | Seal-Oil | | | | 720 | 93474 | Pin-Roll |
| 22 | 94220 | Screw-Hex. Head | | | | 721 | 224249 | Stop-Shaft |
| | | Note 94612 Screw-Hex. Head One Used in Hole Nearest Breather. | | | | | | |
| 46 | 492830 | Gear-Cam | | | | | | |

- ★ Included in Gasket Set-See Ref. 358.
- Included in Carburetor Kit-Part No. 493762.
- ◆ Included in Carburetor Gasket Set-Part No. 490937.

2436-4

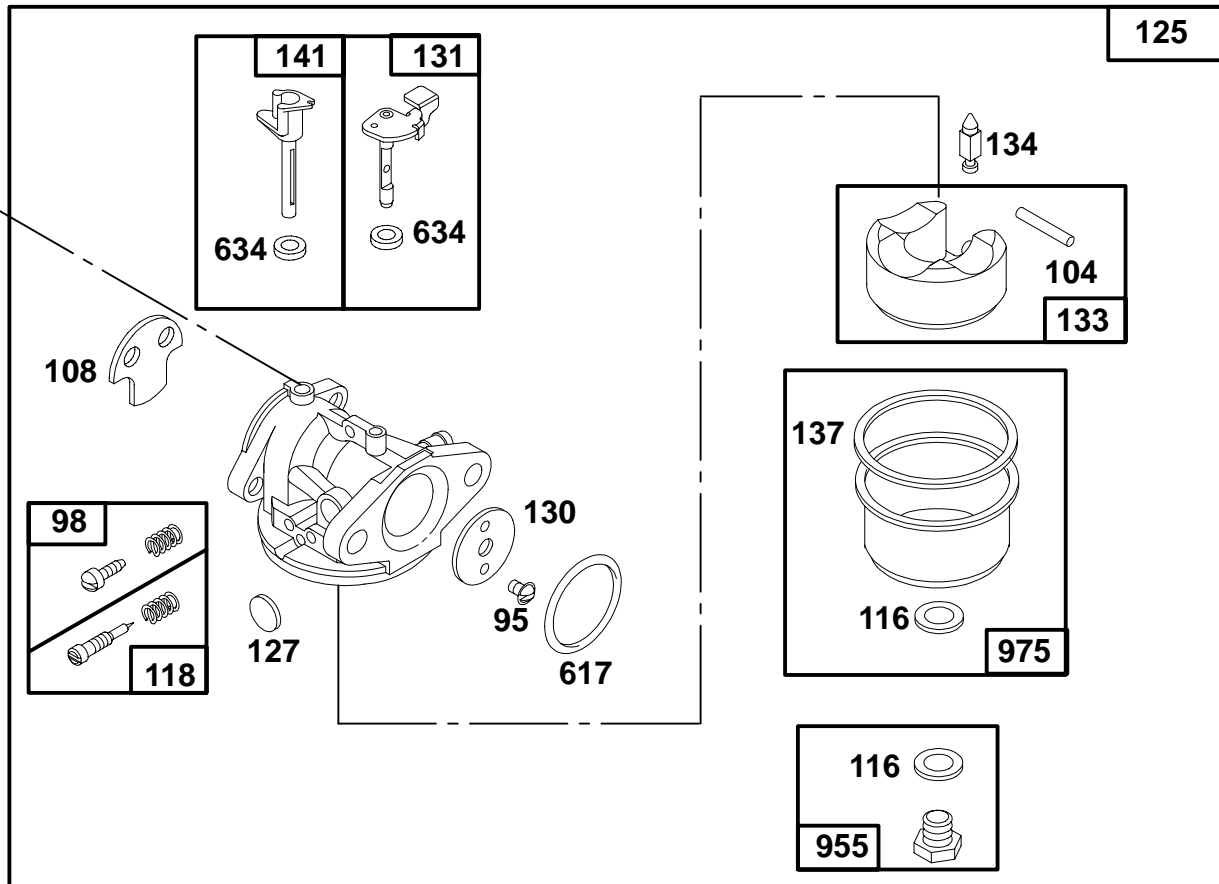
Assemblies include all parts shown in frames.



| REF. NO. | PART NO. | DESCRIPTION | REF. NO. | PART NO. | DESCRIPTION | REF. NO. | PART NO. | DESCRIPTION | | | |
|----------|----------|---|----------|----------|--|----------------|----------|-------------|---|--|--------------|
| 98A | 493280 | Screw-Speed Adj. | | | <p align="center">———— Note ————</p> <p>If Longer Wire is Needed, Specify Length in Inches; if Shorter Wire is Needed and Cut to Required Length.</p> <p>———— Note ————</p> <p>If Longer Casing is Needed, Specify Length in Inches; if Shorter Casing is Needed Order and Cut to Required Length.</p> | | | 493894 | Bracket-Control (Used Before Code Date 93080200). | | |
| 188A | 94644 | Screw-Hex. Hd. | | | | | | | 495976 | Bracket-Control (Manual Friction Control) (Used After Code Date 93080100). | |
| 201 | 262579 | Link | | | | | | | 493895 | Bracket-Control (Used Before Code Date 93080200). | |
| 209 | | Spring-Governor | | | | | | | | 3228, 3230. | |
| 268 | 65616 | Casing-Wire (72" Long) | | | | | | | 621 | 396847 | Switch-Stop |
| | 66986 | Casing-Wire (48" Long) | 270 | 63426 | | Locknut-Casing | 670A | *493823 | Spacer (Includes 2) | | |
| | | ———— Note ———— | 271 | 290568 | | Lever-Control | | | 843 | 272616 | Sleeve-Lever |
| | | If Longer Casing is Needed, Specify Length in Inches; if Shorter Casing is Needed Order and Cut to Required Length. | 353 | 92791 | | Washer-Lock | | | 985 | 398525 | Insulator |
| | | | 354 | 90576 | | Nut-Hex. | | | | | |
| | | | 447 | 93801 | | Screw-Hex. Hd. | | | | | |
| | | | 520 | 93722 | Terminal | | | | | | |
| | | | 575 | 396291 | Switch Assy.-Key | | | | | | |
| | | | | | Include(s): | | | | | | |
| | | | | | 392832 | Key Set | | | | | |
| 269 | 26633 | Wire-Control (78" Long) | 605 | 224509 | Cover-Control | | | | | | |
| | 26099 | Wire-Control (54" Long) | 618 | 262749 | Spring-Return | | | | | | |
| | | | 620 | 495975 | Bracket-Control (Remote Control) (Used After Code Date 93080100). | | | | | | |

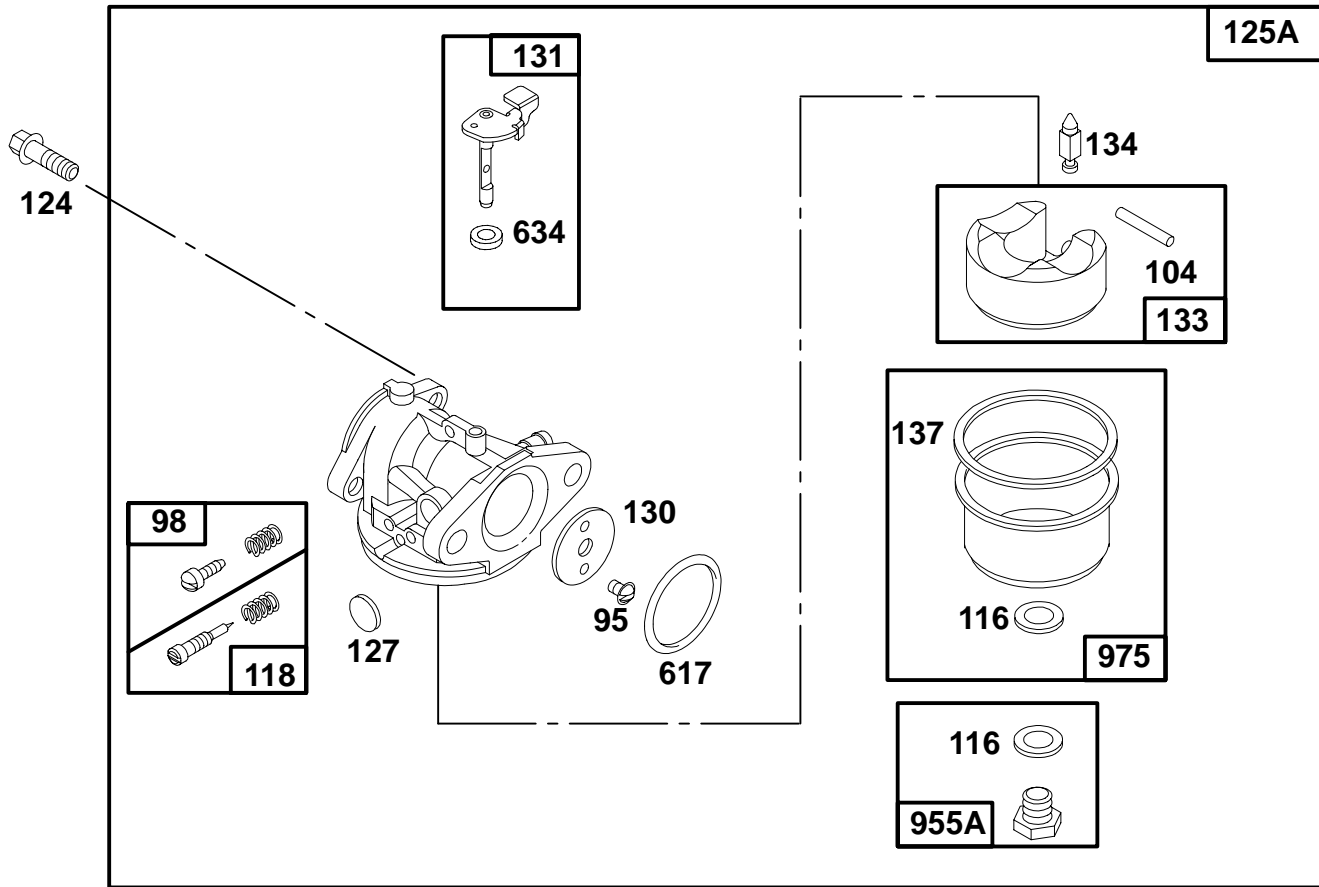
- ★ Included in Gasket Set-See Ref. 358.
- Included in Carburetor Kit-Part No. 493762.
- ◆ Included in Carburetor Gasket Set-Part No. 490937.

124800 to 124899



| REF. NO. | PART NO. | DESCRIPTION | REF. NO. | PART NO. | DESCRIPTION | REF. NO. | PART NO. | DESCRIPTION | |
|----------|----------|---|----------|----------|---|----------|----------|--|-------------------|
| 95 | 94098 | Screw-Round Head | 127 | ● | Plug-Welch (Sold in Kit Only) | | | OR | |
| 98 | 398185 | Screw-Idle Adjustment | 130 | 223470 | Valve-Throttle | | | 493763 Screw-Float Bowl (High Altitude) | |
| 104 | ●231371 | Pin-Float Hinge | 131 | 493267 | Shaft-Throttle | | | Note | |
| 108 | 223471 | Valve-Choke | 133 | 398187 | Float-Carburetor | | | 493637 Screw-Float Bowl (Standard) | |
| 116 | ◆◆ | Gasket-Sealing (Sold in Kit Only) | 134 | ●398188 | Valve-Needle (Includes Seat) | | | OR | |
| 118 | ●493765 | Valve Kit-Needle | 137 | ◆◆ | Gasket-Float Bowl (Sold in Kit Only) | | | 494870 Screw-Float Bowl (High Altitude) | |
| 124 | 94525 | Screw-Carburetor Mounting | 141 | 494218 | Shaft-Choke | | | Used on Type No(s). 3110, 3117, 3208, 3224, 3408, 3414, 3421, 3423, 3424. | |
| 125 | 494217 | Carburetor SEE NEXT PAGE FOR ADDITIONAL CARBURETOR. Note 493627 Carburetor (For Primer) (Used Before Code Date 93080200). Used on Type No(s). 3110, 3117, 3208, 3224, 3408, 3414, 3421, 3423, 3424. | 617 | ●◆270344 | Seal-Fuel Intake Tube | | | 975 | 493640 Bowl-Float |
| | | | 634 | ◆◆ | Washer-Shaft (Sold in Kit Only) | | | | |
| | | | 955 | 493869 | Screw-Float Bowl (Standard) | | | | |

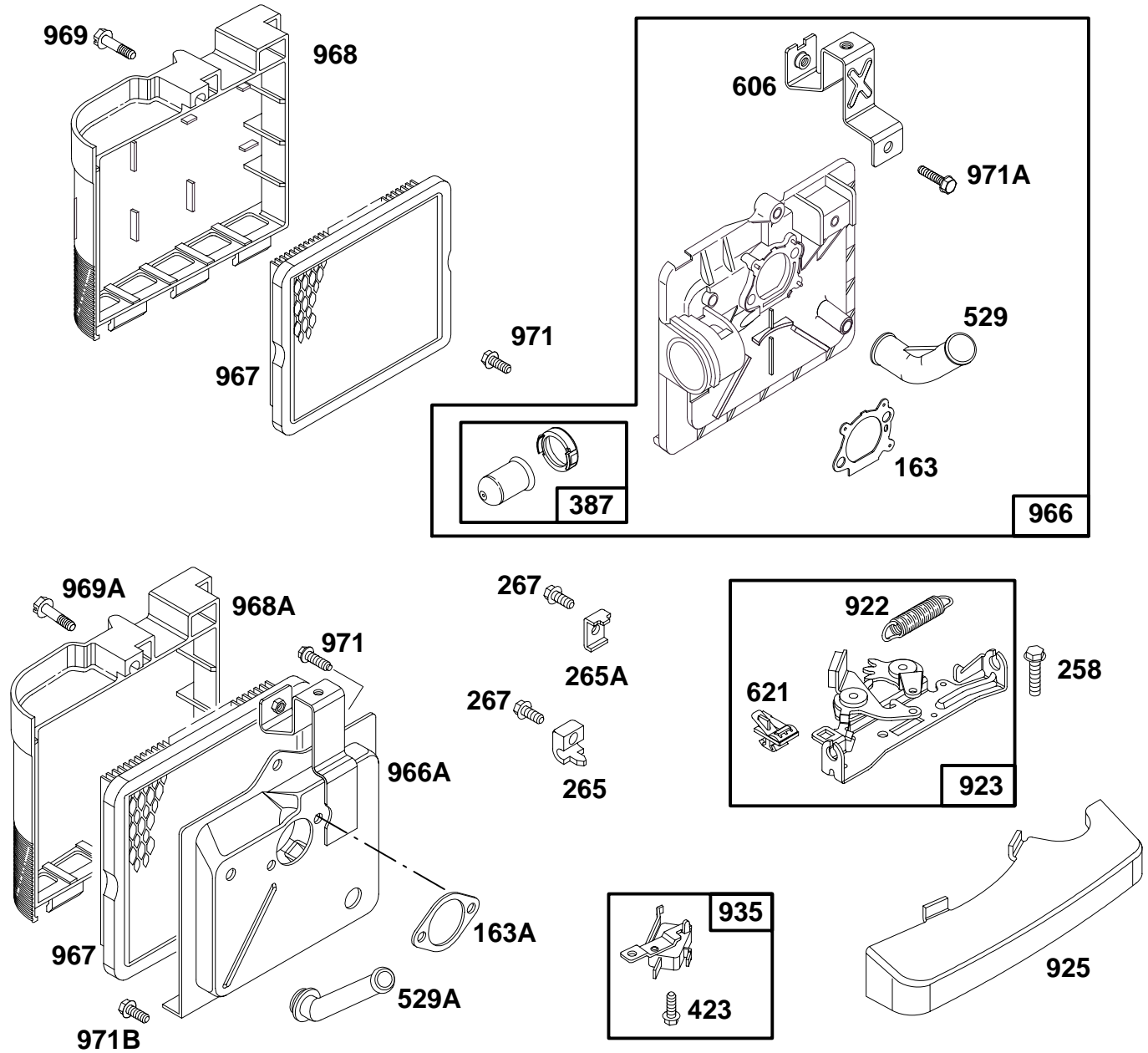
★ Included in Gasket Set-See Ref. 358.
● Included in Carburetor Kit-Part No. 493762.
◆ Included in Carburetor Gasket Set-Part No. 490937.



| REF. NO. | PART NO. | DESCRIPTION | REF. NO. | PART NO. | DESCRIPTION | REF. NO. | PART NO. | DESCRIPTION |
|----------|----------|---|----------|----------|---|-------------|----------|---|
| 95 | 94098 | Screw-Round Head | 127 | • | Plug-Welch (Sold in Kit Only) | 617 | ••270344 | Seal-Fuel Intake Tube |
| 98 | 398185 | Screw-Idle Adjustment | 130 | 223470 | Valve-Throttle | 634 | •• | Washer-Shaft (Sold in Kit Only) |
| 104 | •231371 | Pin-Float Hinge | 131 | 493267 | Shaft-Throttle | 955A | 493637 | Screw-Float Bowl (Standard) |
| 116 | •♦ | Gasket-Sealing (Sold in Kit Only) | 133 | 398187 | Float-Carburetor | Note | | |
| 118 | •493765 | Valve Kit-Needle | 134 | •398188 | Valve-Needle (Includes Seat) | 496063 | | Screw-Float Bowl (For High Altitude) |
| 124 | 94525 | Screw-Carb. Mtg. | 137 | •♦ | Gasket-Float Bowl (Sold in Kit Only) | 975 | 493640 | Bowl-Float |
| 125A | 496114 | Carburetor (For Primer) (Used After Code Date 93080100). | | | | | | |

★ Included in Gasket Set-See Ref. 358.
 ● Included in Carburetor Kit-Part No. 493762.
 ♦ Included in Carburetor Gasket Set-Part No. 490937.

124800 to 124899

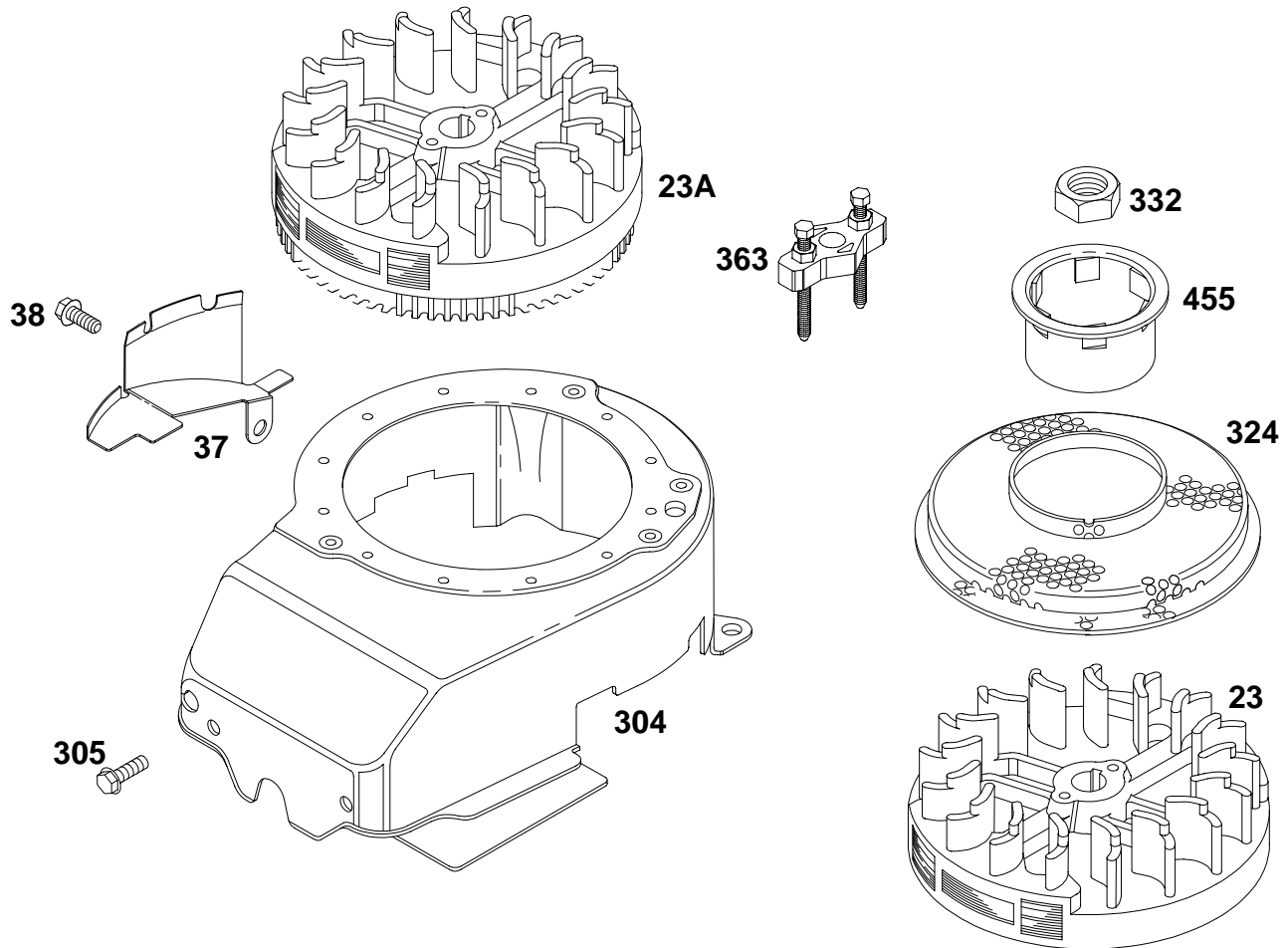


| REF. NO. | PART NO. | DESCRIPTION | REF. NO. | PART NO. | DESCRIPTION | REF. NO. | PART NO. | DESCRIPTION |
|----------|----------|--------------------|----------|----------|--|----------|----------|-------------------|
| 163 | ★272653 | Gasket–Air Cleaner | 922 | 262640 | Spring–Brake | 967 | 491588 | Filter–Air |
| 163A | ★272296 | Gasket–Air Cleaner | 923 | 493442 | Brake | 968 | 281340 | Cover–Air Cleaner |
| 258 | 94512 | Screw–Hex. Head | 925 | 281145 | Cover–Linkage | 968A | 281069 | Cover–Air Cleaner |
| 265 | 213146 | Clamp–Casing | 935 | 398758 | Switch–Interlock | 969 | 94120 | Screw–Hex. Head |
| 265A | 221535 | Clamp–Casing | 966 | 496116 | Base–Air Cleaner (Primer Style) | 969A | 94173 | Screw–Air Cleaner |
| 267 | 94204 | Screw–Clamp Mtg. | | | | 971 | 94121 | Screw–Hex. Head |
| 387 | 496115 | Primer–Carburetor | | | | 971A | 94749 | Screw–Hex. Head |
| 423 | 93758 | Screw–Hex. Hd. | | | | 971B | 94269 | Screw–Air Cleaner |
| 529 | 281299 | Grommet | 966A | 494735 | Base–Air Cleaner (Metal) (Used Before Code Date 93080200). | | | |
| 529A | 280943 | Grommet | | | | | | |
| 606 | 224815 | Strap–Bracket | | | | | | |
| 621 | 396847 | Switch–Stop | | | | | | |

- ★ Included in Gasket Set–See Ref. 358.
- Included in Carburetor Kit–Part No. 493762.
- ◆ Included in Carburetor Gasket Set–Part No. 490937.

2436–8

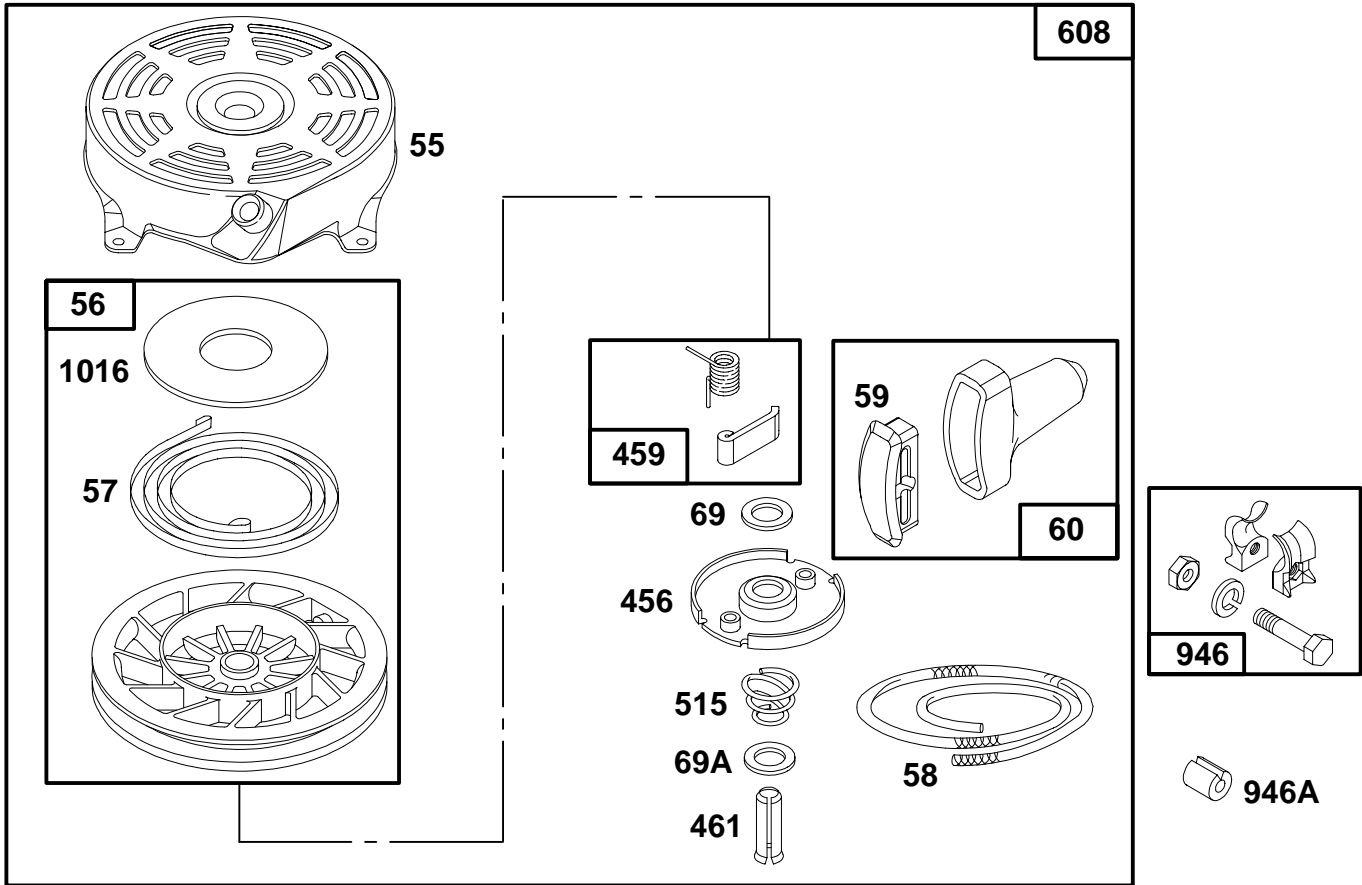
Assemblies include all parts shown in frames.



| REF. NO. | PART NO. | DESCRIPTION | REF. NO. | PART NO. | DESCRIPTION | REF. NO. | PART NO. | DESCRIPTION |
|----------|----------|---|----------|----------|---|----------|----------|--|
| 23 | 492177 | Flywheel | 304 | 493294 | Housing-Blower Used on Engines without Band Brake. | 305 | 94513 | Screw-Hex. Head |
| 23A | 492175 | Flywheel | | | | | | Note |
| | | Note | | | Note | | | 94513 Screw-Hex. Head |
| | | 492893 Flywheel Used on Type No(s). 0213, 0418, 0424. | | | 493293 Housing Blower Used on Engines with Band Brake. | | | 94167 Stud |
| 37 | 224511 | Guard-Flywheel | | | | | | 90832 Lockwasher Used on Type No(s). 0517. |
| 38 | 94608 | Screw-Hex. Hd. | | | | 324 | 224251 | Screen-Rotating |
| | | | | | | 332 | 92284 | Nut-Flywheel |
| | | | | | | 363 | 19069 | Flywheel Puller |
| | | | | | | 455 | 224250 | Cup-Flywheel |

- ★ Included in Gasket Set-See Ref. 358.
- Included in Carburetor Kit-Part No. 493762.
- ◆ Included in Carburetor Gasket Set-Part No. 490937.

124800 to 124899

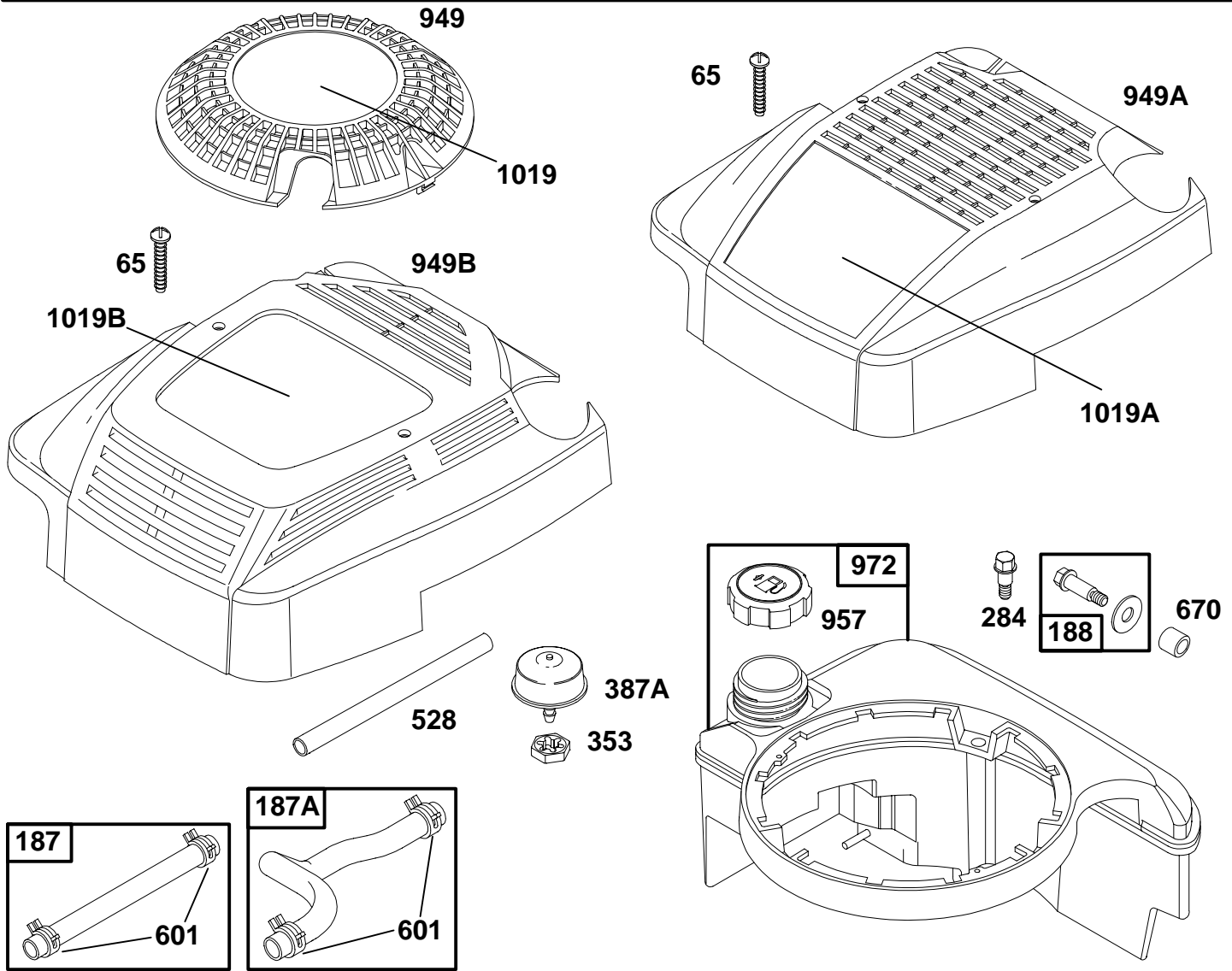


| REF. NO. | PART NO. | DESCRIPTION | REF. NO. | PART NO. | DESCRIPTION | REF. NO. | PART NO. | DESCRIPTION |
|----------|----------|----------------------------|----------|----------|-----------------|----------|----------|---------------------|
| 55 | 492831 | Housing—Rewind Starter | 60 | 393152 | Grip—Starter | 608 | 493295 | Starter—Rewind |
| 56 | 493824 | Pulley—Starter | 69 | 280973 | Washer—Spring | | | Include(s): |
| 57 | 262594 | Spring—Rewind Starter | 69A | 224322 | Washer—Flat | | | 94128 Screw—Hex. Hd |
| 58 | 280399 | Rope—Starter (Cut To Suit) | 456 | 224321 | Retainer—Spring | | | 92987 Nut—Hex. |
| 59 | 396892 | Insert—Handle | 459 | 492833 | Pawl—Starter | 946 | 396526 | Guide—Rope |
| | | | 461 | 262626 | Pin—Shaft | 946A | 223294 | Stop—Rope |
| | | | 515 | 262625 | Spring—Retainer | 1016 | 224278 | Cover—Pulley |

- ★ Included in Gasket Set—See Ref. 358.
- Included in Carburetor Kit—Part No. 493762.
- ◆ Included in Carburetor Gasket Set—Part No. 490937.

2436—10

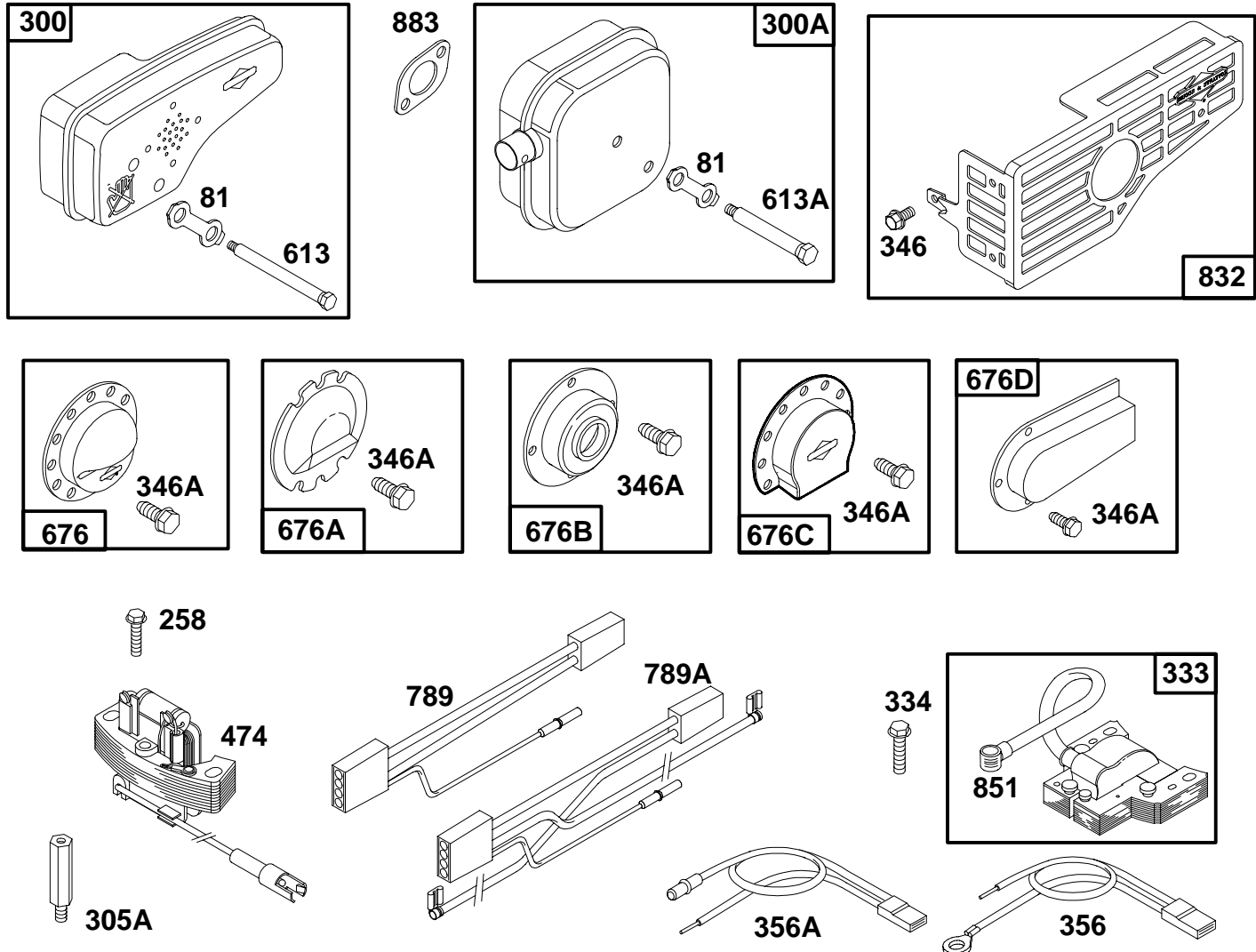
Assemblies include all parts shown in frames.



| REF. NO. | PART NO. | DESCRIPTION | REF. NO. | PART NO. | DESCRIPTION | REF. NO. | PART NO. | DESCRIPTION |
|----------|----------|-------------------------|----------|----------|------------------------|----------|----------|------------------------------|
| 65 | 94696 | Screw-Guard Mtg. | 528 | 399254 | Line-Fuel (For Primer) | 949A | 497233 | Guard-Finger |
| 187 | 492790 | Line-Fuel (Cut to Suit) | 601 | 93053 | Clamp-Hose (Green) | 949B | 496642 | Guard-Finger |
| 187A | 492791 | Line-Fuel | | | Note | 957 | 397974 | Cap-Fuel Tank |
| 188 | 398540 | Screw-Tank Mounting | | | 93807 | 972 | 495224 | Tank-Fuel (1.6 Quart, Black) |
| 284 | 94511 | Screw-Hex. Head | | | 93807 | 1019 | 494256 | Label Kit |
| 353A | 94581 | Locknut | 670 | 280512 | Spacer | 1019A | 495354 | Label Kit |
| 387A | 394281 | Primer-Carburetor | 949 | 281136 | Guard-Finger | 1019B | 496658 | Label Kit |

- ★ Included in Gasket Set-See Ref. 358.
- Included in Carburetor Kit-Part No. 493762.
- ◆ Included in Carburetor Gasket Set-Part No. 490937.

124800 to 124899



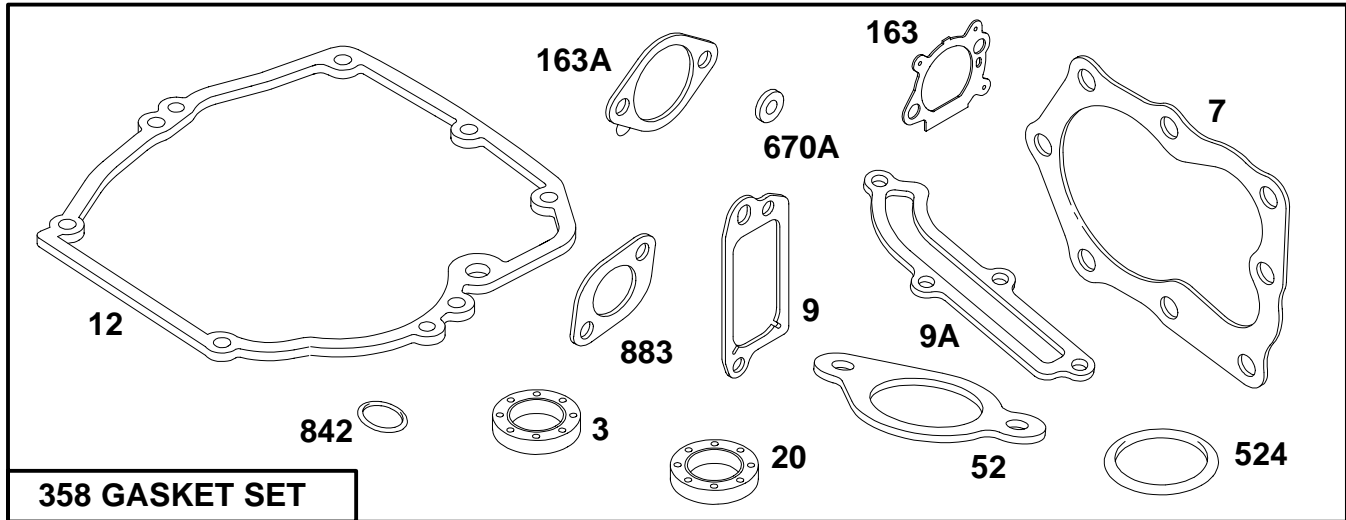
| REF. NO. | PART NO. | DESCRIPTION | REF. NO. | PART NO. | DESCRIPTION | REF. NO. | PART NO. | DESCRIPTION |
|----------|----------|---|----------|----------|---|----------|----------|--|
| 81 | 223664 | Lock-Muffler Screw | 356A | 496381 | Wire-Stop (Used After Code Date 93100300). | 676D | 493871 | Deflector-Muffler |
| 258 | 94512 | Screw-Hex. Head | | | | 789 | 493379 | Harness-Wiring Used on Engines without Band Brake. |
| 300 | 490547 | Muffler-Exhaust | | | | 789A | 493380 | Harness-Wiring Used on Engines with Band Brake. |
| 300A | 494343 | Muffler-Exhaust (Square Lo-Tone) | | | Note | | | |
| 305A | 94510 | Stud-Alternator Mtg. | 474 | 492841 | 398153 Wire-Stop (Used Before Code Date 93100400). Alternator | | | |
| 333 | 802574 | Armature-Magneto | 613 | 94231 | Screw-Muffler Mtg. | | | Note |
| 334 | 93381 | Screw-Sem | 613A | 94615 | Screw-Muffler Mtg. | | | 494544 Harness-Wiring Used on Type No(s). 0517, 3211. |
| 346 | 94602 | Screw-Hex. Hd. | 676 | 396548 | Deflector-Muffler | 832 | 494224 | Guard-Muffler |
| 346A | 93705 | Screw-Hex. Hd. | 676A | 393756 | Deflector-Muffler | 851 | 221798 | Terminal-Cable |
| 356 | 398808 | Wire-Stop | 676B | 397931 | Deflector-Muffler | 883 | ★272253 | Gasket-Exhaust |
| | | Note | 676C | 393760 | Deflector-Muffler | | | |
| | | 494714 Wire-Stop Used on Type No(s). 3433, 3435, 3242. | | | | | | |

- ★ Included in Gasket Set-See Ref. 358.
- Included in Carburetor Kit-Part No. 493762.
- ◆ Included in Carburetor Gasket Set-Part No. 490937.

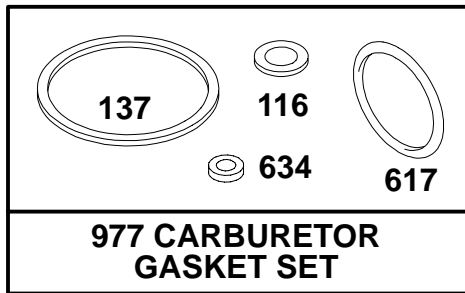
2436-12

Assemblies include all parts shown in frames.

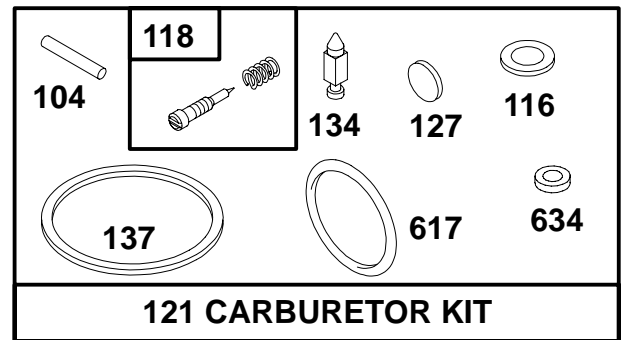
104



358 GASKET SET



977 CARBURETOR GASKET SET

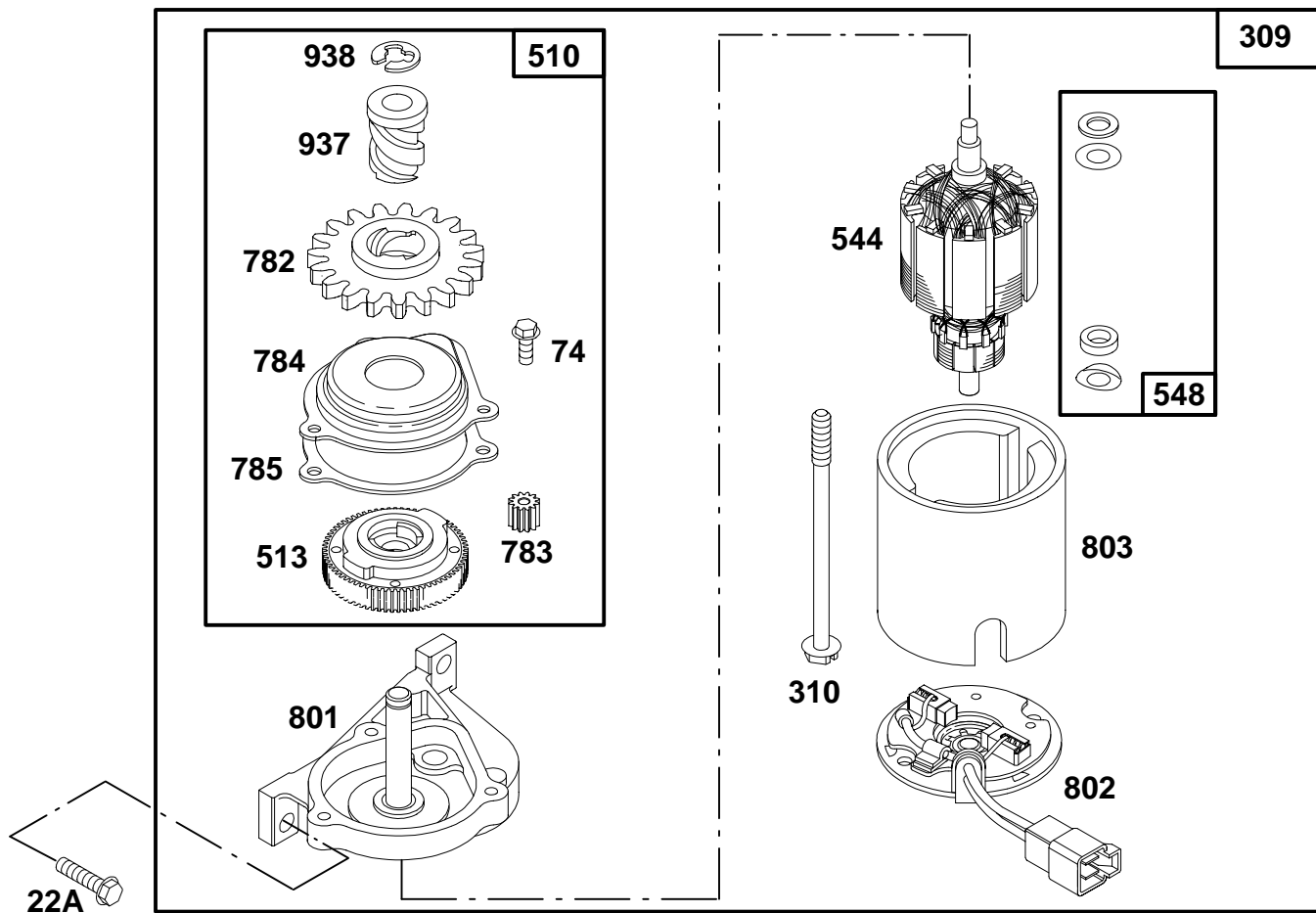


121 CARBURETOR KIT

| REF. NO. | PART NO. | DESCRIPTION | REF. NO. | PART NO. | DESCRIPTION | REF. NO. | PART NO. | DESCRIPTION |
|----------|----------|--------------------------------------|----------|----------|--|----------|----------|------------------------------------|
| 3 | ★299819 | Seal–Oil | 127 | ● | Plug–Welch (Sold in Kit Only) | 524 | ★280393 | Seal–Fill Tube |
| 7 | ★272200 | Gasket–Cylinder Hd. | 134 | ●398188 | Valve–Needle (Includes Seat) | 617 | ●●270344 | Seal–Fuel Intake Tube |
| 9 | ★272481 | Gasket–Breather | 137 | ●◆ | Gasket–Float Bowl (Sold in Kit Only) | 634 | ●◆ | Washer–Shaft (Sold in Kit Only) |
| 9A | ★272238 | Gasket–Breather | 163 | ★272653 | Gasket–Air Cleaner | 670A | ★493823 | Spacer (Includes 2) |
| 12 | ★272198 | Gasket–Crankcase | 163A | ★272296 | Gasket–Air Cleaner | 842 | ★280966 | Seal–Cap |
| 20 | ★399781 | Seal–Oil | 358 | 496117 | Gasket Set (Used After Code Date 93080100). | 883 | ★272253 | Gasket–Exhaust |
| 52 | ★272199 | Gasket–Intake Elbow | | | Note | 977 | 490937 | Gasket Set– Carburetor |
| 104 | ●231371 | Pin–Float Hinge | | | 493263 Gasket Set (Used Before Code Date 93080200). | | | |
| 116 | ●◆ | Gasket–Sealing (Sold in Kit Only) | | | | | | |
| 118 | ●493765 | Valve Kit–Needle | | | | | | |
| 121 | 493762 | Carburetor Kit | | | | | | |

★ Included in Gasket Set–See Ref. 358.
 ● Included in Carburetor Kit–Part No. 493762.
 ◆ Included in Carburetor Gasket Set–Part No. 490937.

124800 to 124899



| REF. NO. | PART NO. | DESCRIPTION | REF. NO. | PART NO. | DESCRIPTION | REF. NO. | PART NO. | DESCRIPTION |
|----------|----------|-----------------|----------|----------|------------------|----------|----------|-----------------|
| 22A | 94268 | Screw-Hex. Head | 544 | 492921 | Armature-Starter | 801 | 492335 | Cap-Drive |
| 74 | 93490 | Screw-Sem. | 548 | 492919 | Washer Set | 802 | 492922 | Cap-End |
| 309 | 494233 | Motor-Starter | 782 | 281127 | Gear-Starter | 803 | 492920 | Housing-Starter |
| 310 | 94051 | Bolt-Thru | 783 | 261606 | Gear-Starter | 937 | 281125 | Spline-Starter |
| 510 | 494147 | Drive-Starter | 784 | 224262 | Cover-Gear | 938 | 93941 | Retainer-Lock |
| 513 | 394815 | Clutch-Drive | 785 | 272201 | Gasket-Cover | | | |

- ★ Included in Gasket Set-See Ref. 358.
- Included in Carburetor Kit-Part No. 493762.
- ◆ Included in Carburetor Gasket Set-Part No. 490937.

2436-14

Assemblies include all parts shown in frames.

104

124800 to 124899

| REF. NO. | PART NO. | DESCRIPTION | REF. NO. | PART NO. | DESCRIPTION | REF. NO. | PART NO. | DESCRIPTION | |
|----------|----------|---|----------|----------|--|----------|----------|-------------|--|
| 16 | 493282 | <p>Crankshaft</p> <p style="text-align: center;">Note</p> <p>For Timing Gear Key— Order Part No. 94388.</p> <p>493362 Crankshaft Used on Type No(s). 0210, 0212, 0213, 0215, 0227, 0228, 0236, 0238, 0245, 0261, 0265, 0268, 0283, 0415, 0416, 0417, 0424, 0426, 0427, 0431, 0470, 0472, 0514, 0515, 0516, 0551, 0552, 0610, 3126, 3130, 3212, 3213, 3215, 3216, 3219, 3223, 3224, 3225, 3228, 3231, 3234, 3241, 3412, 3421, 3422, 3424, 3426, 3427, 3429, 3436, 3439.</p> <p>493363 Crankshaft Used on Type No(s). 0216, 0221, 0224, 0229, 0230, 0231, 0232, 0242, 0266, 0270, 0280, 0281, 0282, 0410, 0413, 0419, 0421, 0429, 0430, 0466, 0469, 0471, 0512, 0513, 0517, 0518, 0550, 0882, 3218, 3230, 3240, 3245, 3246, 3423.</p> <p>493433 Crankshaft Used on Type No(s). 3110, 3111, 3115, 3117, 3124, 3209, 3214, 3220, 3425.</p> | | | <p>493946 Crankshaft Used on Type No(s). 0210, 0211, 0214, 0217, 0218, 0219, 0220, 0262, 0264, 0267, 0414, 0422, 0423, 0432, 0433, 0468, 0467, 3217, 3221, 3226, 3227, 3416.</p> <p>493947 Crankshaft Used on Type No(s). 3411, 3414, 3415.</p> <p>494546 Crankshaft Used on Type No(s). 0511.</p> <p>496809 Crankshaft Used on Type No(s). 3242.</p> | | | | <p>262660 Spring—Gov. Used on Type No(s). 0236, 0238, 0242, 3212, 3213, 3218, 3228, 3230, 3234, 3245, 3421, 3422, 3423, 3424, 3426, 3427, 3429, 3439.</p> <p>262661 Spring—Gov. Used on Type No(s). 0511, 3415.</p> <p>262662 Spring—Gov. Used on Type No(s). 3224, 3242.</p> <p>262664 Spring—Gov. Used on Type No(s). 0226, 0284, 0427, 0428, 0560.</p> <p>262665 Spring—Gov. Used on Type No(s). 0426.</p> <p>262667 Spring—Gov. Used on Type No(s). 0413, 3431.</p> <p>262678 Spring—Gov. Used on Type No(s). 0410, 0417, 0420, 0429, 3124, 3217, 3416.</p> |
| | | | 209 | 262666 | <p>Spring—Governor</p> <p style="text-align: center;">Note</p> <p>262657 Spring—Gov. Used on Type No(s). 0210, 0245, 0513, 3210, 3211, 3222, 3227, 3240, 3432, 3433, 3434, 3435.</p> <p>262658 Spring—Gov. Used on Type No(s). 3411, 3412, 3414.</p> <p>262659 Spring—Gov. Used on Type No(s). 0508, 0512, 0516, 0517, 0518, 0610, 3100, 3110, 3111, 3115, 3117, 3126, 3130, 3131, 3201, 3208, 3209, 3214, 3219, 3220, 3223, 3226, 3231, 3241, 3246, 3401, 3408, 3425, 3436.</p> | | | | |

- ★ Included in Gasket Set—See Ref. 358.
- Included in Carburetor Kit—Part No. 493762.
- ◆ Included in Carburetor Gasket Set—Part No. 490937.

Free Manuals Download Website

<http://myh66.com>

<http://usermanuals.us>

<http://www.somanuals.com>

<http://www.4manuals.cc>

<http://www.manual-lib.com>

<http://www.404manual.com>

<http://www.luxmanual.com>

<http://aubethermostatmanual.com>

Golf course search by state

<http://golfingnear.com>

Email search by domain

<http://emailbydomain.com>

Auto manuals search

<http://auto.somanuals.com>

TV manuals search

<http://tv.somanuals.com>