

**126400**

# Illustrated Parts List

## Model Series

# 126400

TYPE NUMBERS  
0023 through 0272.

### TABLE OF CONTENTS

Air Cleaner .....	8
Blower Housing/Shrouds .....	9
Cams .....	3
Carburetor .....	5
Controls .....	7
Crankcase Cover/Sump .....	2
Crankshaft .....	3
Cylinder .....	2
Electric Starter .....	10
Flywheel .....	9
Fuel Tank .....	6
Gear Reducer .....	10
Governor Spring .....	7
Head .....	4
Ignition .....	7
Kits/Gaskets – Carburetor .....	5
Kits/Gaskets – Engine .....	2
Kits/Gaskets – Valve .....	4
Muffler .....	8
Oil .....	10
Piston Group .....	3
Rewind .....	9
Valves .....	4



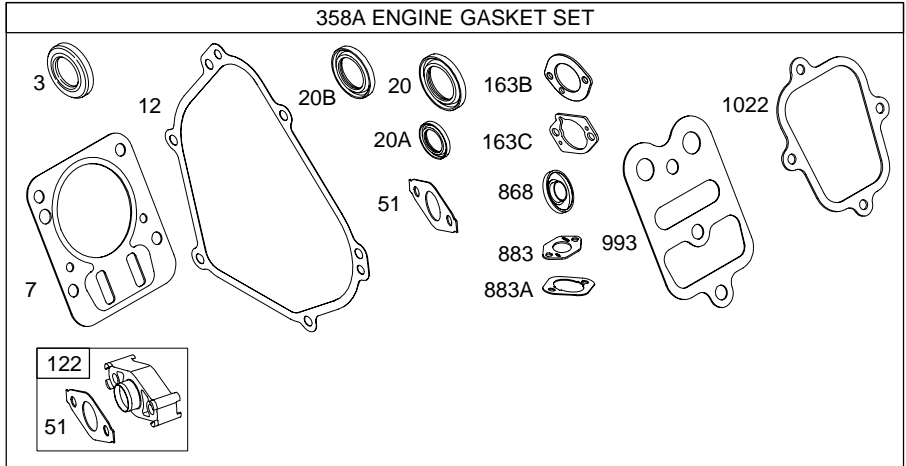
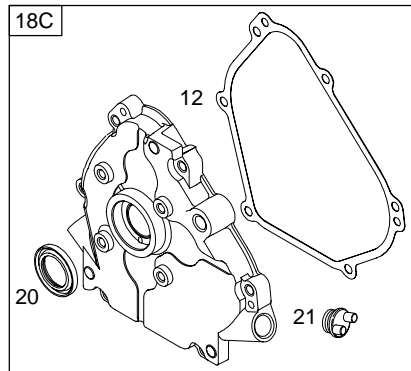
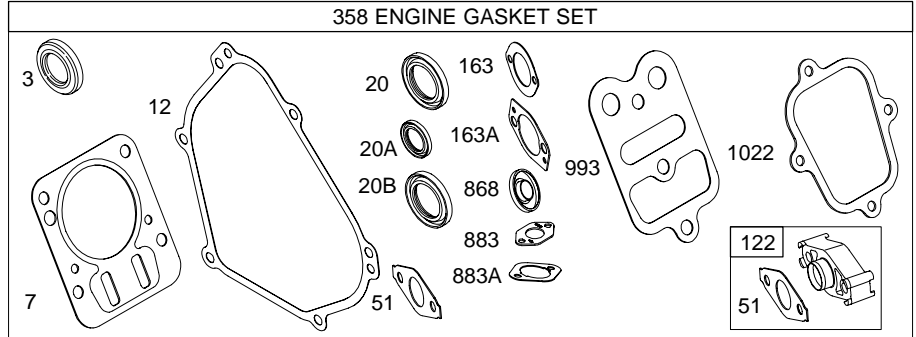
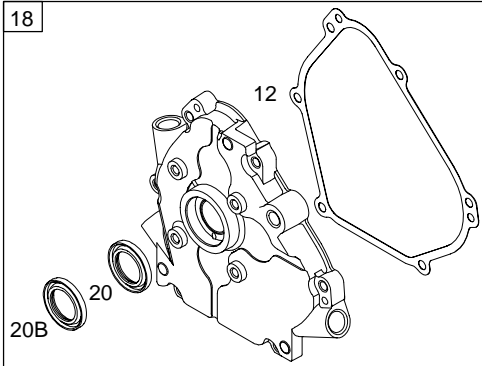
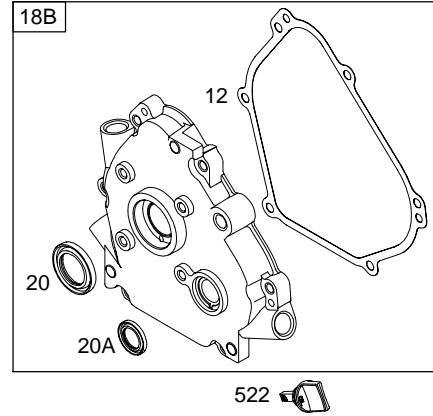
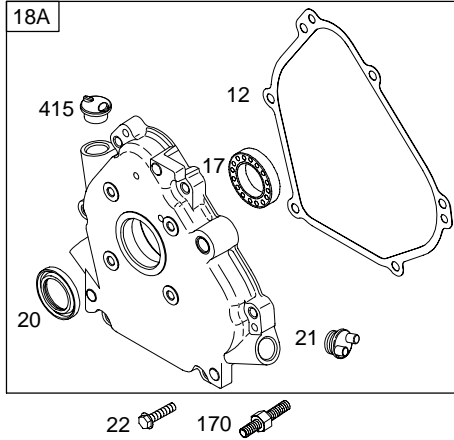
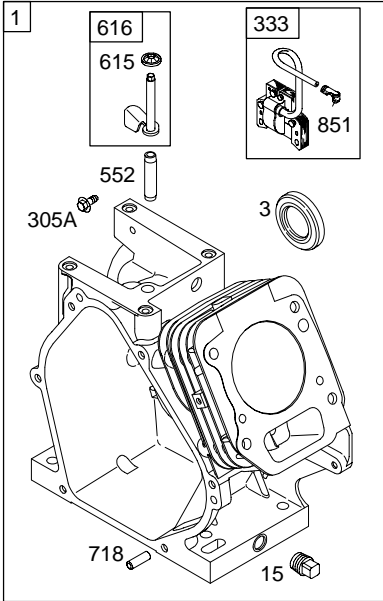
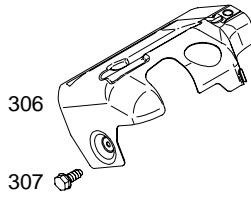
PRINTED IN U.S.A.

COPYRIGHT by BRIGGS & STRATTON CORPORATION  
All rights reserved. No part of this material may be reproduced or transmitted, in any form or by any means, electronic or mechanical, including photocopying, recording or by any information storage and retrieval system, without permission in writing from Briggs & Stratton Corporation.

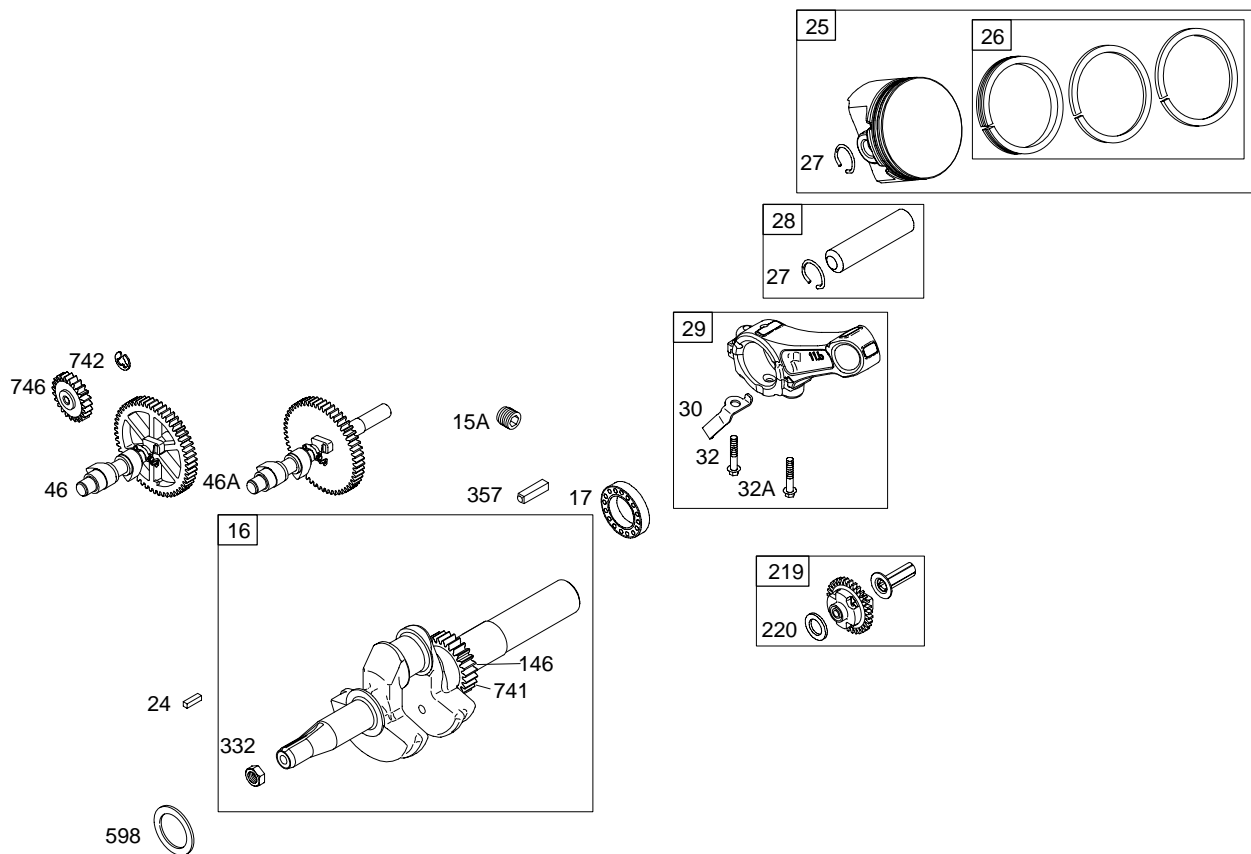
1019 LABEL KIT

1058 OWNER'S MANUAL

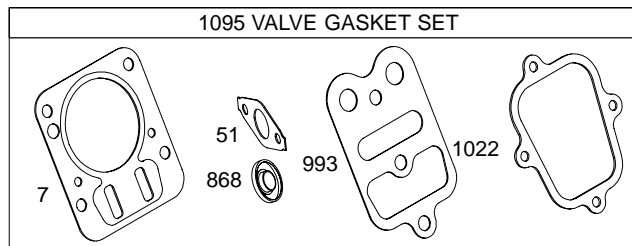
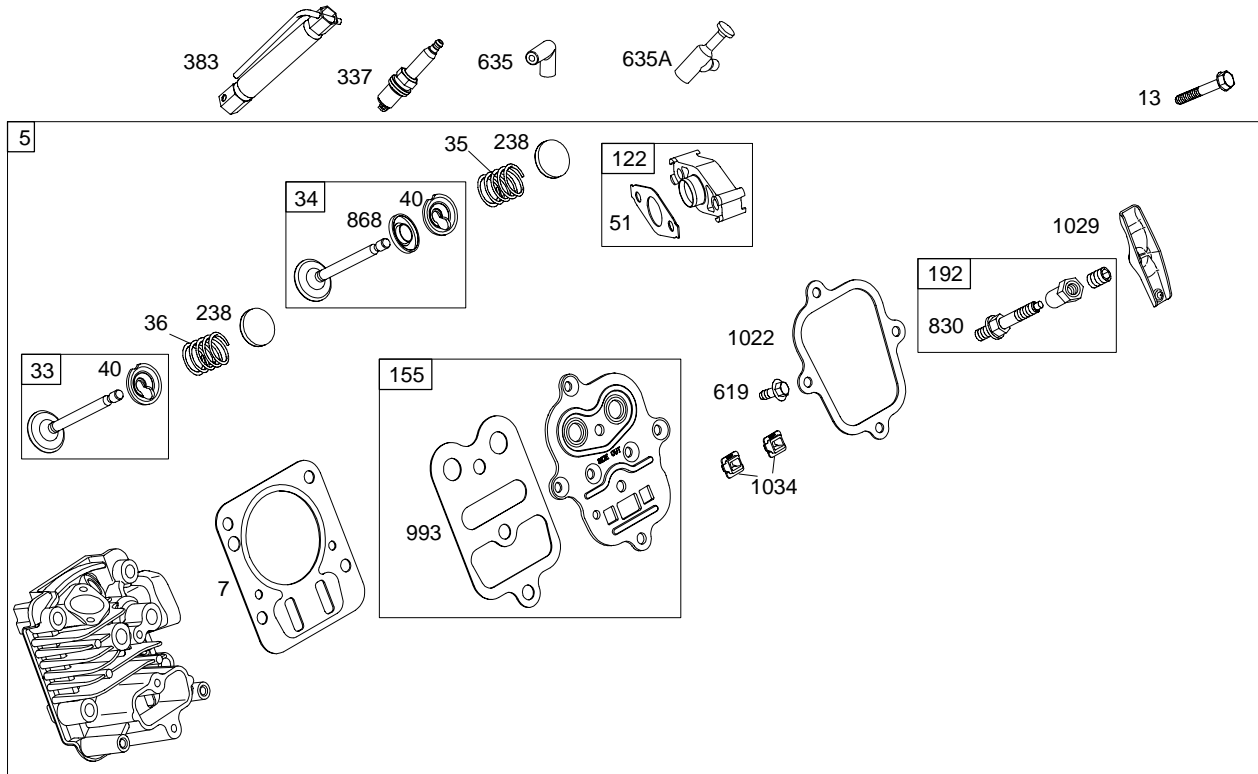
1330 REPAIR MANUAL



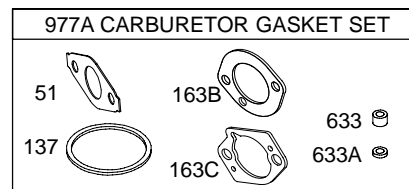
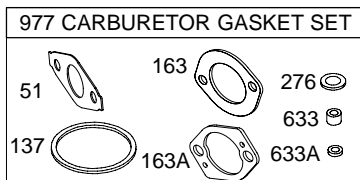
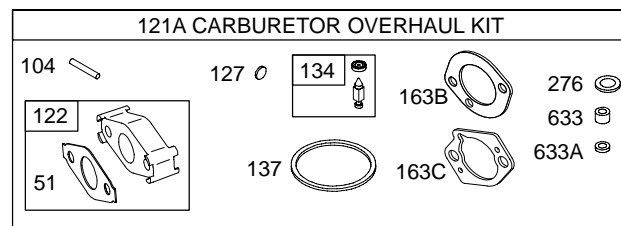
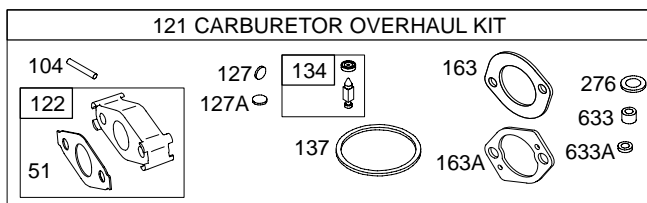
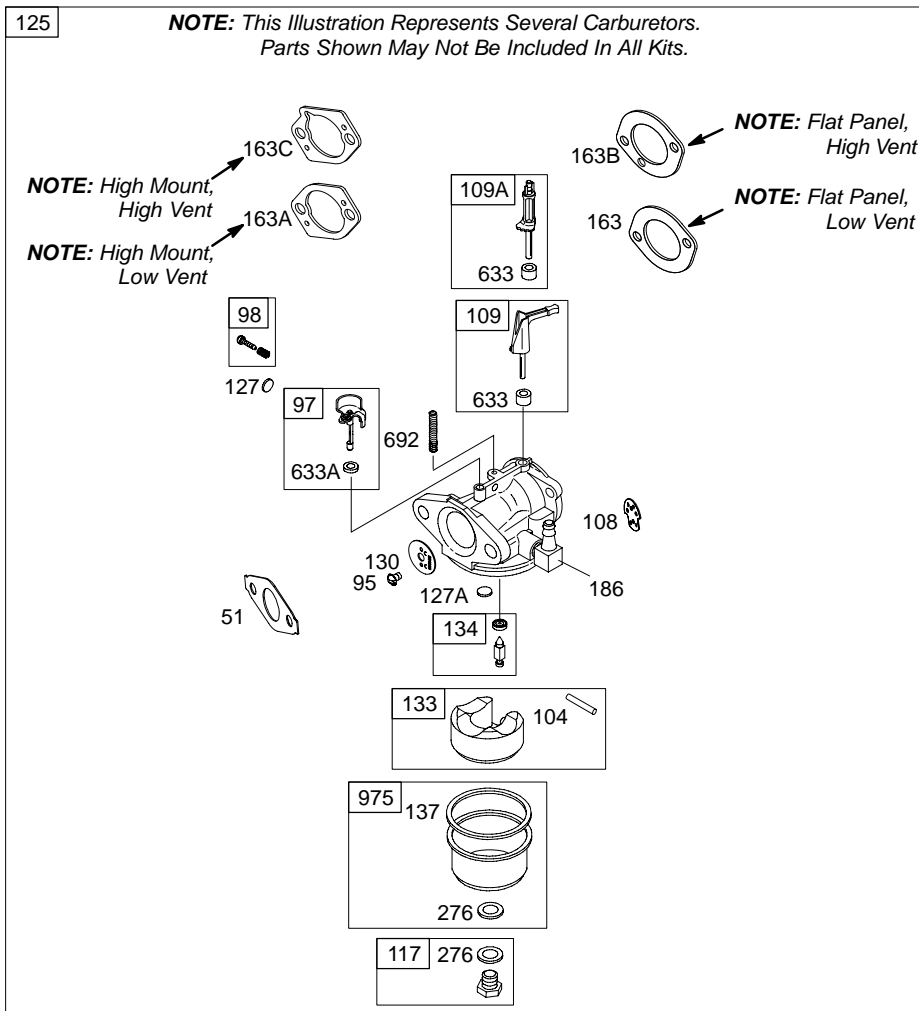
Illustrations cover a range of engines. Parts shown without corresponding text may not be used on your specific engine.  
6817-2 Assemblies include all parts shown in frames. 01/02/2004



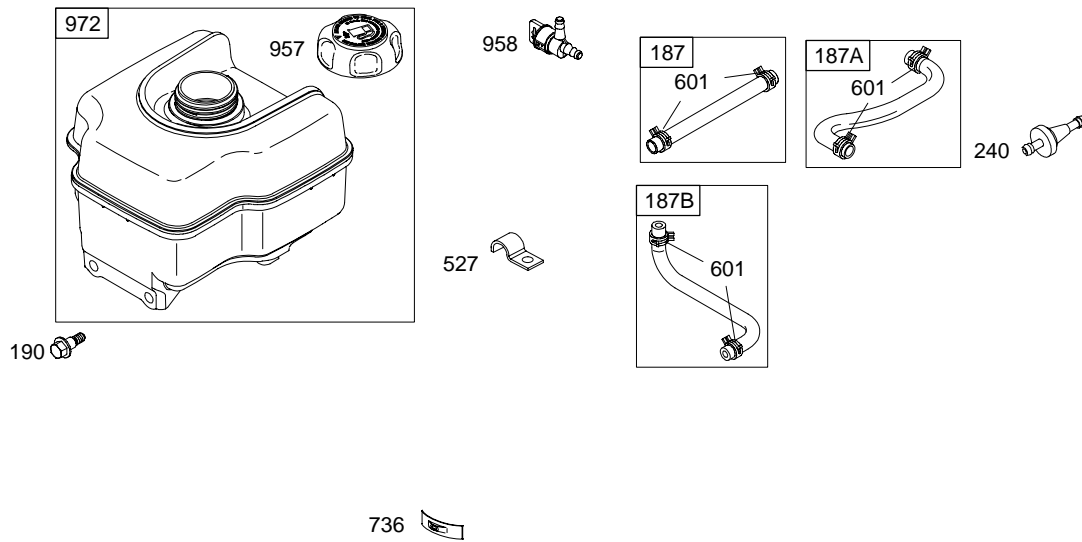
Illustrations cover a range of engines. Parts shown without corresponding text may not be used on your specific engine.  
 6817-3 Assemblies include all parts shown in frames. 01/02/2004

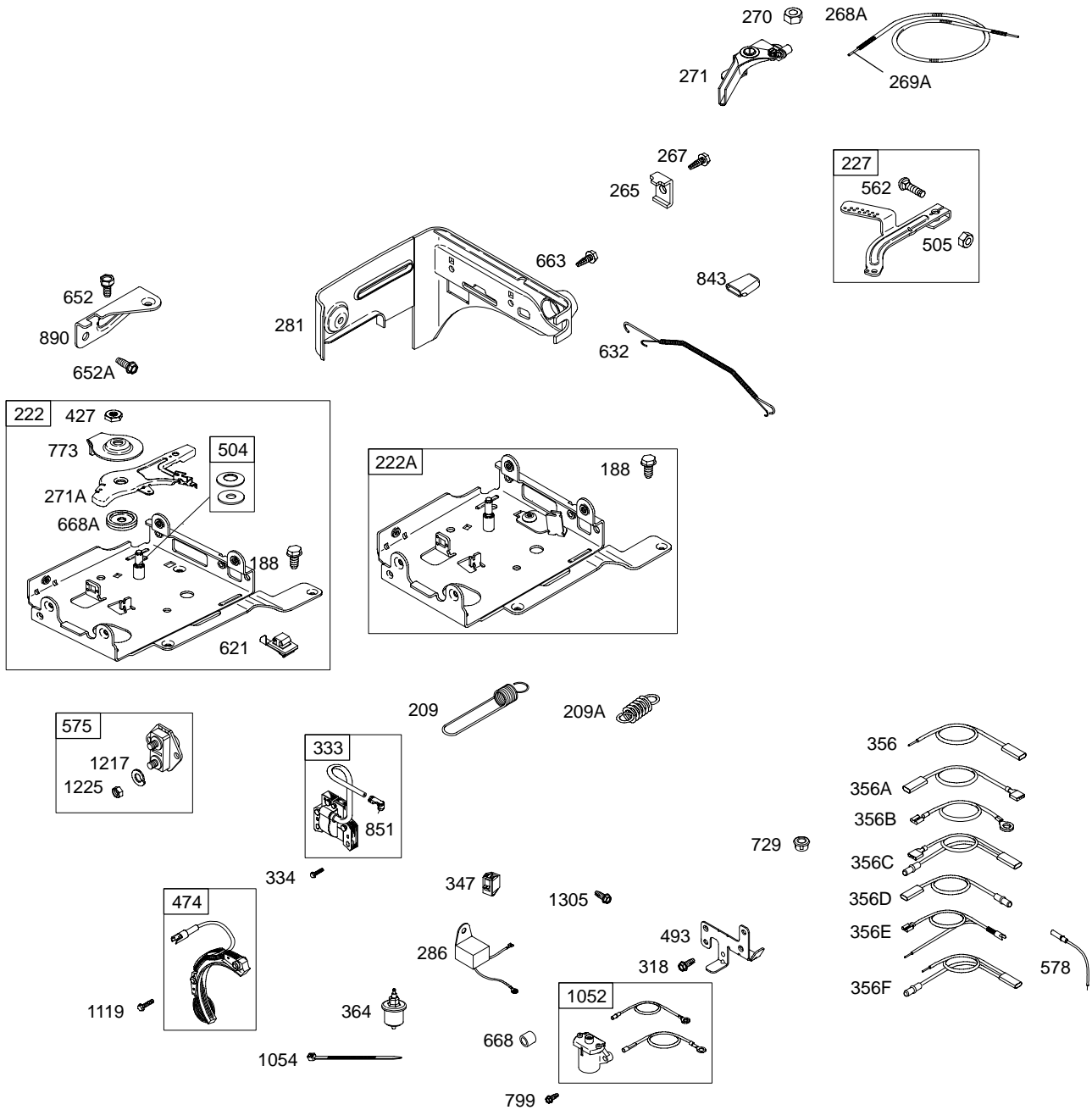


**Illustrations cover a range of engines. Parts shown without corresponding text may not be used on your specific engine.**  
**6817-4** Assemblies include all parts shown in frames. **01/02/2004**

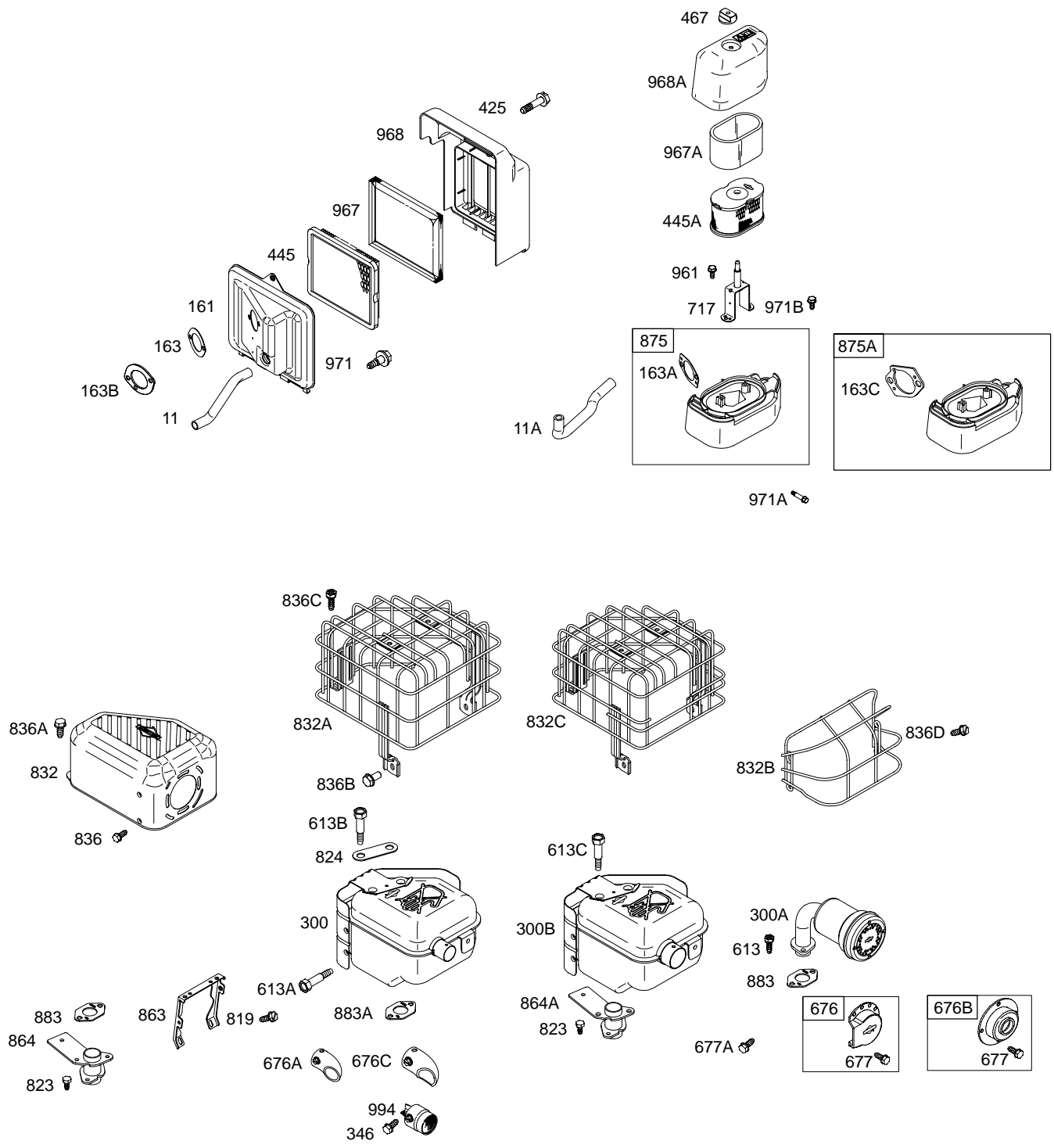


Illustrations cover a range of engines. Parts shown without corresponding text may not be used on your specific engine.



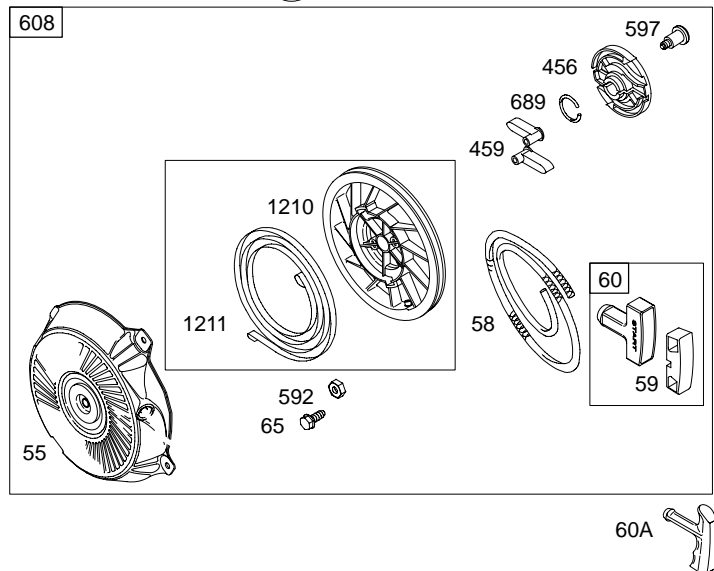
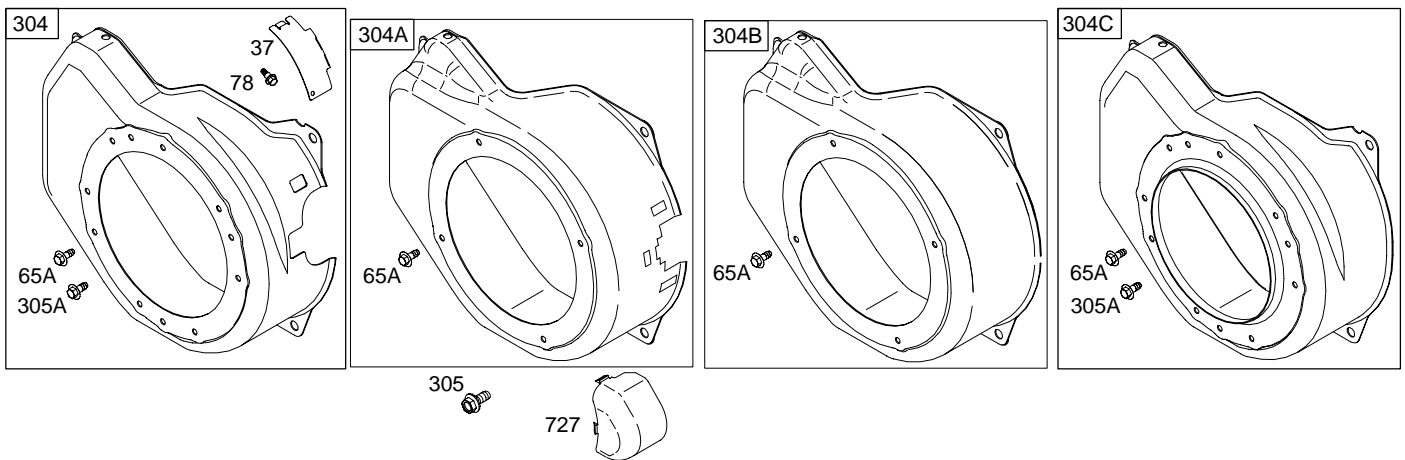
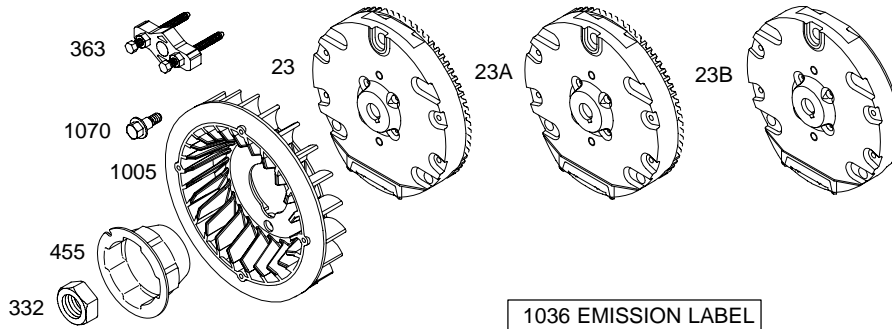


Illustrations cover a range of engines. Parts shown without corresponding text may not be used on your specific engine.  
 6817-7 Assemblies include all parts shown in frames. 01/02/2004

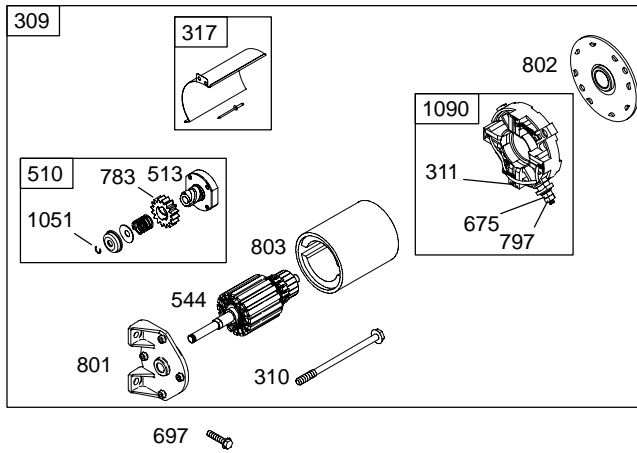


**Illustrations cover a range of engines. Parts shown without corresponding text may not be used on your specific engine.**  
**6817-8** Assemblies include all parts shown in frames. **01/02/2004**

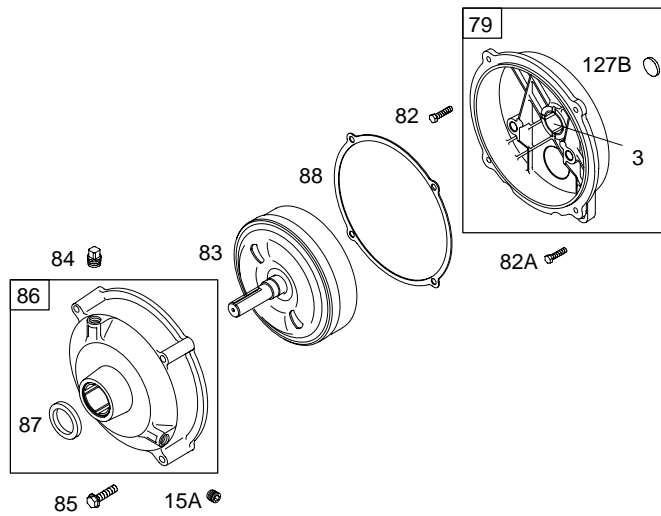




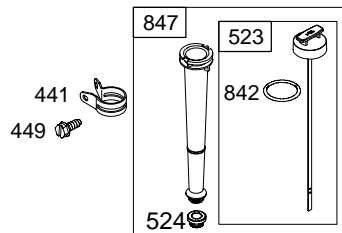
Illustrations cover a range of engines. Parts shown without corresponding text may not be used on your specific engine.  
 6817-9 Assemblies include all parts shown in frames. 01/02/2004



697



85 15A



**Illustrations cover a range of engines. Parts shown without corresponding text may not be used on your specific engine.**  
**6817-10** Assemblies include all parts shown in frames. **01/02/2004**

REF. NO.	PART NO.	DESCRIPTION	REF. NO.	PART NO.	DESCRIPTION	REF. NO.	PART NO.	DESCRIPTION
1	698485	Cylinder Assembly (Used After Code Date 02101600). ———— <b>Note</b> ———— <b>698223</b> Cylinder Assembly (Used Before Code Date 02101700 and After Code Date 02011400). <b>693811</b> Cylinder Assembly (Used Before Code Date 02011500). <b>694470</b> Cylinder Assembly (Used Before Code Date 02101700). Used on Type No(s). 0112, 0146, 0217, 0219.			<b>693887</b> Crankshaft (Used Before Code Date 03060900). <b>699443</b> Crankshaft (Used After Code Date 03060800). Used on Type No(s). 0036, 0064, 0162, 0176, 0205, 0213, 0215, 0220, 0233, 0237, 0247, 0251, 0255. <b>693403</b> Crankshaft (Used Before Code Date 03060900). Used on Type No(s). 0036, 0064, 0162, 0176, 0205, 0213, 0215, 0220, 0233, 0237, 0247, 0251, 0255. <b>699441</b> Crankshaft (Used After Code Date 03060800). Used on Type No(s). 0035, 0151. <b>693594</b> Crankshaft (Used Before Code Date 03060900) Used on Type No(s). 0035, 0151. <b>699449</b> Crankshaft (Used After Code Date 03060800). Used on Type No(s). 0161, 0261, 0270. <b>693595</b> Crankshaft (Used Before Code Date 03060900). Used on Type No(s). 0161, 0261, 0270.			<b>699452</b> Crankshaft (Used After Code Date 03060800). Used on Type No(s). 0158, 0218, 0245. <b>693596</b> Crankshaft (Used Before Code Date 03060900). Used on Type No(s). 0158, 0218, 0245. <b>699444</b> Crankshaft (Used After Code Date 03060800). Used on Type No(s). 0049, 0113. <b>694439</b> Crankshaft (Used Before Code Date 03060900). Used on Type No(s). 0049, 0113. <b>699447</b> Crankshaft (Used After Code Date 03060800). Used on Type No(s). 0038, 0115, 0174, 0177, 0216, 0234. <b>695237</b> Crankshaft (Used Before Code Date 03060900). Used on Type No(s). 0038, 0115, 0174, 0177, 0216, 0234. <b>699451</b> Crankshaft (Used After Code Date 03060800). Used on Type No(s). 0060, 0112, 0130, 0163, 0191, 0193, 0207, 0212, 0227. <b>695763</b> Crankshaft (Used Before Code Date 03060900). Used on Type No(s). 0060, 0112, 0130, 0163, 0191, 0193, 0207, 0212, 0227.
3	★299819	Seal—Oil (Magneto Side)						
5	699486	Head—Cylinder						
7	★∅695166	Gasket—Cylinder Head						
11	692600	Tube—Breather (Flat Panel Air Cleaner)						
11A	693647	Tube—Breather (High Mount Air Cleaner)						
12	★692549	Gasket—Crankcase						
13	691137	Screw (Cylinder Head)						
15	691686	Plug—Oil Drain (Square Head)						
15A	691682	Plug—Oil Drain (Flush)						
16	699445	Crankshaft (Used After Code Date 03060800). ———— <b>Note</b> ————						

★ Included in Engine Gasket Set—Ref. No.358.

● Included in Carburetor Overhaul Kit—Ref. No. 121.

◆ Included in Carburetor Gasket Set—Ref. No. 977.

∅ Included in Valve Gasket Set—Ref. No 1095.

**Illustrations cover a range of engines. Parts shown without corresponding text may not be used on your specific engine.**

6817-11

Assemblies include all parts shown in frames.

01/02/2004

# 126400

REF. NO.	PART NO.	DESCRIPTION	REF. NO.	PART NO.	DESCRIPTION	REF. NO.	PART NO.	DESCRIPTION
17	692517	Bearing—Ball	23	694902	Flywheel (Electric Start) (Internal Magnets)	37	695725	Guard—Flywheel
18	693204	Cover—Crankcase <b>Note</b> ——— 694466 Cover— Crankcase Used on Type No(s). 0161, 0191, 0206, 0218, 0245, 0261, 0270.	23A	695298	Flywheel (Electric Start) (Minus Magnets)	40	692194	Retainer—Valve
18A	690047	Cover—Crankcase Used on Type No(s). 0035, 0036, 0064, 0151, 0162, 0176, 0205, 0213, 0215, 0220, 0233, 0235, 0237, 0251, 0255.	23B	692987	Flywheel (Rewind Start)	45	690977	Tappet—Valve
18B	694833	Cover—Crankcase Used on Type No(s). 0070, 0117, 0165, 0172, 0199, 0201, 0229, 0232, 0235, 0242, 0243, 0247, 0253, 0272.	24	222698	Key—Flywheel	46	693404	Camshaft
18C	695290	Cover—Crankcase Used on Type No(s). 0049.	25	690021	Piston Assembly (Standard) <b>Note</b> ——— 694167 Piston Assembly (.010" Oversize) 694168 Piston Assembly (.020" Oversize) 694169 Piston Assembly (.030" Oversize)	46A	695285	Camshaft <b>Note</b> ——— 694831 Camshaft Used on Type No(s). 0070, 0165, 0172, 0199, 0232, 0235, 0243, 0272.
20	★692550	Seal—Oil (PTO Side)	26	499631	Ring Set (Standard) <b>Note</b> ——— 692785 Ring Set (.010" Oversize) 692786 Ring Set (.020" Oversize) 692787 Ring Set (.030" Oversize)	51★◆∅692555	692555	Gasket—Intake (2 Required)
20A	★691952	Seal—Oil (PTO Side) (Auxiliary Drive) Used on Type No(s). 0070, 0117, 0165, 0172, 0199, 0201, 0229, 0232, 0235, 0242, 0243, 0247, 0253, 0272.	27	691866	Lock—Piston Pin	55	691422	Housing—Rewind Starter <b>Note</b> ——— 691421 Housing—Re- wind Starter Used on Type No(s). 0206, 0211, 0217.
20B	★694171	Seal—Oil (PTO Side) Used on Type No(s). 0038.	28	499423	Pin—Piston	58	693389	Rope—Starter (Cut to Required Length) <b>Note</b> ——— 697316 Rope—Starter (Cut to Required Length) Used on Type No(s). 0206, 0211, 0217.
21	281658	Cap—Oil Fill	29	690124	Rod—Connecting	59	805957	Insert—Grip
22	692551	Screw (Crankcase Cover/Sump)	30	692562	Dipper—Connecting Rod	60	715257	Grip—Starter Rope (2 Piece)
			32	691664	Screw (Connecting Rod)	60A	281434	Grip—Starter Rope Used on Type No(s). 0206, 0211, 0217.
			32A	695759	Screw (Connecting Rod) (Used After Code Date 00042200).	65	690837	Screw (Rewind Starter)
			33	499642	Valve—Exhaust	65A	692608	Screw (Rewind Starter)
			34	499641	Valve—Intake	78	695724	Screw (Flywheel Guard)
			35	691304	Spring—Valve (Intake)	79	694511	Case—Gear Reduction
			36	691304	Spring—Valve (Exhaust)	82	690369	Screw (Gear Reduction Case)
						82A	691122	Screw (Gear Reduction Case)

★ Included in Engine Gasket Set—Ref. No.358.

● Included in Carburetor Overhaul Kit—Ref. No. 121.

◆ Included in Carburetor Gasket Set—Ref. No. 977.

∅ Included in Valve Gasket Set—Ref. No 1095.

**Illustrations cover a range of engines. Parts shown without corresponding text may not be used on your specific engine.**

6817-12

Assemblies include all parts shown in frames.

01/02/2004

REF. NO.	PART NO.	DESCRIPTION	REF. NO.	PART NO.	DESCRIPTION	REF. NO.	PART NO.	DESCRIPTION			
83	690374	Shaft–Auxillary Drive				127A	●694468	Plug–Welch			
84	691121	Plug–Breather (Gear Reduction)			694975 Jet–Main (High Altitude) Used on Type No(s). 0038, 0115, 0174, 0177, 0216, 0234.			Used on Type No(s). 0038, 0115, 0174, 0177, 0216, 0234.			
85	692551	Screw Gear Cover to Gear Reduction Case)			694250 Jet–Main (High Altitude) Used on Type No(s). 0125, 0152, 0158, 0161, 0163, 0186, 0205, 0207, 0218, 0226, 0237, 0245, 0251.	127B	691585	Plug–Welch Used on Type No(s). 0049, 0113.			
86	690608	Cover–Gear									
87	691582	Seal–Gear Reduction				130	691181	Valve–Throttle			
88	691600	Gasket–Gear ReductionCover						———— <b>Note</b> ————			
95	691636	Screw (Throttle Valve)						691203 Valve–Throttle Used on Type No(s). 0038, 0115, 0174 0177, 0216, 0234.			
97	690024	Shaft–Throttle				133	398187	Float–Carburetor			
98	398185	Kit–Idle Speed (Carburetor)	121	695157	Kit–Carburetor Overhaul	134	●398188	Kit–Needle/Seat			
104	●691242	Pin–Float Hinge	121A	696998	Kit–Carburetor Overhaul (High Vent)	137	●●693981	Gasket–Float Bowl			
108	692567	Valve–Choke			122	★●693749	Spacer–Carburetor	146	690979	Key–Timing	
		———— <b>Note</b> ————						———— <b>Note</b> ————	155	696268	Plate–Cylinder Head
		699111 Valve–Choke Used on Type No(s). 0038, 0115, 0174, 0177, 0216, 0234.						———— <b>Note</b> ————	161	692579	Base–Air Cleaner (Flat Panel) (Low Vent)
109	690023	Shaft–Choke (Straight Handle)						———— <b>Note</b> ————			696063 Base–Air Cleaner (Flat Panel) (High Vent)
109A	693628	Shaft–Choke (No Handle) Used on Type No(s). 0125, 0152, 0158, 0161, 0163, 0186, 0205, 0207, 0218, 0226, 0237, 0245, 0251.	125	696981	Carburetor			———— <b>Note</b> ————	163	♦♦272948	Gasket–Air Cleaner (Flat Panel) (Low Vent)
								———— <b>Note</b> ————	163A	♦♦693458	Gasket–Air Cleaner (High Mount) (Low Vent)
117	498978	Jet–Main (Standard) (Used on Carburetors 696981 and 697028)			698859 Carburetor (Used After Code Date 03042700). Used on Type No(s). 0038, 0115, 0174, 0177, 0216, 0234.			———— <b>Note</b> ————	163B	●696024	Gasket–Air Cleaner (Flat Panel) (High Vent)
		———— <b>Note</b> ————			694508 Carburetor (Used Before Code Date 03042800). Used on Type No(s). 0038, 0115, 0174, 0177, 0216, 0234.			———— <b>Note</b> ————	163C	●696979	Gasket–Air Cleaner (High Mount) (High Vent)
		498976 Jet–Main (Standard) Used on Type No(s). 0038, 0115, 0174, 0177, 0216, 0234.			697028 Carburetor Used on Type No(s). 0125, 0152, 0158, 0161, 0163, 0186, 0205, 0207, 0218, 0226, 0237, 0245, 0251.			———— <b>Note</b> ————	170	691120	Stud (Crankcase Cover/ Sump)
118	497466	Jet–Main (High Altitude)						———— <b>Note</b> ————	186	692317	Connector–Hose
		———— <b>Note</b> ————						———— <b>Note</b> ————	187	691050	Line–Fuel (Straight) (Cut to Required Length)
			127	●691739	Plug–Welch			———— <b>Note</b> ————	187A	692601	Line–Fuel (Molded)

★ Included in Engine Gasket Set–Ref. No.358.

● Included in Carburetor Overhaul Kit–Ref. No. 121.

♦ Included in Carburetor Gasket Set–Ref. No. 977.

⊘ Included in Valve Gasket Set–Ref. No 1095.

**Illustrations cover a range of engines. Parts shown without corresponding text may not be used on your specific engine.**

6817–13

Assemblies include all parts shown in frames.

01/02/2004

# 126400

REF. NO.	PART NO.	DESCRIPTION	REF. NO.	PART NO.	DESCRIPTION	REF. NO.	PART NO.	DESCRIPTION
187B	693401	Line—Fuel (Molded)	270	691027	Nut (Control Wire Casing)	304A	697910	Housing—Blower (Electric Start) (Used Before Code Date 02021500 and After Code Date 03030200).
188	690877	Screw (Control Bracket)	271	691028	Lever—Control			
190	692127	Screw (Fuel Tank)	271A	694256	Lever—Control			
192	694543	Adjustor—Rocker Arm	276	◆271716	Washer—Sealing			
209	692571	Spring—Governor (Silver)	281	694252	Panel—Control			
		<b>Note</b>	286	698611	Module—Oil Sensor (Used After Code Date 03010500).			<b>Note</b>
		693206 Spring—Governor Used on Type No(s). 0023, 0035, 0038, 0060, 0070, 0112, 0115, 0151, 0163, 0191, 0212, 0234.						694378 Housing—Blower (Electric Start) (Used Before Code Date 02021500). Used on Type No(s). 0112, 0146, 0219.
		693710 Spring—Governor Used on Type No(s). 0117, 0152, 0201, 0243.	300	694429	Muffler (Used Before Code Date 02031800). Used on Type No(s). 0117, 0153, 0162, 0165, 0172, 0173, 0174, 0177, 0193, 0199, 0203, 0207, 0216, 0237, 0247, 0253.	304B	699070	Housing—Blower (Rewind Start) (Used After Code Date 03030200).
209A	691278	Spring—Governor						<b>Note</b>
219	693578	Gear—Governor	300A	693593	Muffler (Lo Tone)	305	690960	Screw (Blower Housing)
220	691724	Washer (Governor Gear)	300B	697813	Muffler (Used After Code Date 02031700). Used on Type No(s). 0117, 0153, 0162, 0165, 0172, 0173, 0174, 0177, 0193, 0199, 0203, 0207, 0216, 0237, 0247, 0253.	305A	691140	Screw (Blower Housing)
222	694253	Bracket—Control				306	693610	Shield—Cylinder
222A	696288	Bracket—Control Used on Type No(s). 0218.				307	690345	Screw (Cylinder Shield)
227	692573	Lever—Governor Control	304	697912	Housing—Blower (Electric Start) (Used After Code Date 03030200).	309	694504	Motor—Starter
238	691300	Cap—Valve				310	690323	Bolt (Starter Motor)
240	694485	Filter—Fuel (Conical)				311	497608	Brush Set
265	691024	Clamp—Casing				317	695494	Cover—Starter
267	692577	Screw (Casing Clamp)				318	695446	Screw (Mounting Bracket) (Used Before Code Date 01073000).
268A	691072	Casing—Control Wire (48" Long) (Cut to Required Length)						
269A	691589	Wire—Control (54" Long) (Cut to Required Length)						

★ Included in Engine Gasket Set—Ref. No.358.

● Included in Carburetor Overhaul Kit—Ref. No. 121.

◆ Included in Carburetor Gasket Set—Ref. No. 977.

⊘ Included in Valve Gasket Set—Ref. No 1095.

**Illustrations cover a range of engines. Parts shown without corresponding text may not be used on your specific engine.**

6817-14

Assemblies include all parts shown in frames.

01/02/2004

REF. NO.	PART NO.	DESCRIPTION	REF. NO.	PART NO.	DESCRIPTION	REF. NO.	PART NO.	DESCRIPTION
332	699359	Nut (Flywheel) (Used After Code Date 03060800).	356B	695630	Stop Wire Used on Type No(s). 0038, 0043, 0115, 0151, 0174, 0177, 0188, 0193, 0211, 0213, 0216, 0217, 0218, 0219, 0220, 0234, 0237.	441	694262	Bracket–Oil Fill
		<b>Note</b>				445	491588	Filter–Air Cleaner Cartridge
		690662 Nut (Flywheel) (Used Before Code Date 03060900).	356C	693651	Stop Wire Used on Type No(s). 0117, 0158, 0172, 0173, 0199, 0201, 0203, 0207, 0229, 0230, 0232, 0235, 0236, 0243, 0247, 0253, 0270.	445A	697029	Filter–Air Cleaner Cartridge
333	695711	Armature–Magneto				449	691693	Screw (Oil Fill Bracket)
334	691061	Screw (Magneto Armature)				455	692591	Cup–Flywheel
337	491055	Plug–Spark				456	692299	Plate–Pawl Friction
		<b>Note</b>				459	281505	Pawl–Ratchet
		691043 Plug–Spark Used on Type No(s). 0105, 0117, 0153, 0158, 0161, 0162, 0165, 0172, 0173, 0174, 0177, 0191, 0193, 0199, 0201, 0203, 0207, 0216, 0218, 0220, 0228, 0229, 0230, 0231, 0232, 0235, 0236, 0237, 0239, 0242, 0243, 0245, 0247, 0248, 0253, 0255, 0270.	356D	694372	Wire–Stop Used on Type No(s). 0146, 0162.	467	691668	Knob–Air Cleaner
346	691627	Screw (Spark Arrestor)	356E	695283	Wire–Stop Used on Type No(s). 0231.	474	694457	Alternator
347	697854	Switch–Rocker	356F	695814	Wire–Stop Used on Type No(s). 0117, 0158, 0172, 0173, 0199, 0201, 0203, 0207, 0229, 0230, 0232, 0235, 0236, 0243, 0247, 0253, 0270.	493	693599	Bracket–Mounting (Used Before Code Date 01073000).
		<b>Note</b>				504	694254	Washer Set–Friction
		692599 Switch–Rocker Used on Type No(s). 0038, 0043, 0188, 0193, 0211, 0213, 0217, 0218, 0219, 0234, 0237.	357	691483	Key–Drive Pulley (1/4" Square)	505	691251	Nut (Governor Control Lever)
356	692390	Wire–Stop	358	698216	Gasket Set–Engine	510	499308	Drive–Starter
356A	692602	Stop Wire Used on Type No(s). 0038, 0043, 0115, 0151, 0174, 0177, 0188, 0193, 0211, 0213, 0216, 0217, 0218, 0219, 0234,	358A	697000	Gasket Set–Engine (High Vent)	513	692024	Clutch–Drive
			363	19069	Flywheel Puller	522	696938	Plug–Dipstick/Fill
			364	695693	Terminal–Oil Plug	523	693618	Dipstick
			365	692568	Screw (Carburetor)	524	281370	Seal–Dipstick Tube
			383	19374	Wrench–Spark Plug	527	690394	Clamp–Tube
			415	693463	Plug (Crankcase Cover/ Sump)	544	692966	Armature–Starter
			425	692583	Screw (Air Cleaner Cover)	552	692346	Bushing–Governor Crank
			427	694255	Nut (Control Bracket)	562	691119	Bolt (Governor Control Lever)
						575	692303	Switch–Starting
						578	692306	Wire Assembly
						592	690800	Nut (Rewind Starter)
						597	691696	Screw (Pawl Friction Plate)
						598	220624	Shim–Endplay
						601	95162	Clamp–Hose
						608	693394	Starter–Rewind
								<b>Note</b>
								497680 Starter–Re- wind Used on Type No(s). 0206, 0211, 0217.

★ Included in Engine Gasket Set–Ref. No.358.

● Included in Carburetor Overhaul Kit–Ref. No. 121.

◆ Included in Carburetor Gasket Set–Ref. No. 977.

⊘ Included in Valve Gasket Set–Ref. No 1095.

**Illustrations cover a range of engines. Parts shown without corresponding text may not be used on your specific engine.**

6817–15

Assemblies include all parts shown in frames.

01/02/2004

# 126400

REF. NO.	PART NO.	DESCRIPTION	REF. NO.	PART NO.	DESCRIPTION	REF. NO.	PART NO.	DESCRIPTION
613	691665	Screw (Muffler)	652	691108	Screw (Support Bracket)	677	690661	Screw (Muffler Deflector)
613A	694460	Screw (Muffler) (Used Before Code Date 02031800). Used on Type No(s). 0117, 0153, 0162, 0165, 0172, 0173, 0174, 0177, 0193, 0199, 0203, 0207, 0216, 0237, 0247, 0253.	652A	695629	Screw (Support Bracket)	677A	691627	Screw (Muffler Deflector) Used on Type No(s). 0117, 0153, 0162, 0165, 0172, 0173, 0174, 0177, 0193, 0199, 0203, 0207, 0216, 0237, 0247, 0253.
613B	691108	Screw (Muffler)	663	694593	Screw (Control Panel)	689	691855	Spring-Friction (Rewind Starter)
613C	697812	Screw (Muffler) (Used After Code Date 02031700). Used on Type No(s). 0117, 0153, 0162, 0165, 0172, 0173, 0174, 0177, 0193, 0199, 0203, 0207, 0216, 0237, 0247, 0253.	668	693604	Spacer (Oil Sensor) (Used Before Code Date 01073000).	692	690572	Spring-Detent (Carburetor)
615	692576	Retainer-Governor Shaft	668A	694257	Spacer (Control Bracket)	697	690372	Screw (Drive Cap)
616	692547	Crank-Governor	675	691261	Washer (Brush Retainer)	717	693462	Bracket-Air Cleaner
619	691108	Screw (Cylinder Head Plate)	676	393757	Deflector-Muffler (Side Out)	718	690959	Pin-Locating
621	692310	Switch-Stop	676A	696029	Deflector-Muffler (Used Before Code Date 02031800). Used on Type No(s). 0117, 0153, 0162, 0165, 0172, 0173, 0174, 0177, 0193, 0199, 0203, 0207, 0216, 0237, 0247, 0253.	727	694467	Cover-Starter Drive
632	693408	Spring/Link-Mechanical Governor	676B	395700	Deflector-Muffler (Direct Out)	729	694371	Clip-Wire
633	◆693867	Seal-Choke/Throttle Shaft	676C	697816	Deflector-Muffler (Used After Code Date 02031700). Used on Type No(s). 0117, 0153, 0162, 0165, 0172, 0173, 0174, 0177, 0193, 0199, 0203, 0207, 0216, 0237, 0247, 0253.	736	693560	Nut-Clip
633A	◆691321	Seal-Choke/Throttle Shaft				741	695087	Gear-Timing
635	692076	Boot-Spark Plug				742	692564	Retainer-E Ring (Idler Gear)
635A	692927	Boot-Spark Plug				746	692566	Gear-Idler
						773	694258	Retainer (Control Bracket)
						783	692353	Gear-Pinion
						797	691029	Nut (Brush Retainer)
						799	693609	Screw (Oil Sensor)
						801	694482	Cap-Drive
						802	691286	Cap-End
						803	693757	Housing-Starter
						819	691685	Screw (Muffler Bracket)
						823	691665	Screw (Muffler Adapter)
						824	696017	Gasket-Heat Shield

★ Included in Engine Gasket Set-Ref. No.358.

● Included in Carburetor Overhaul Kit-Ref. No. 121.

◆ Included in Carburetor Gasket Set-Ref. No. 977.

⊘ Included in Valve Gasket Set-Ref. No 1095.

**Illustrations cover a range of engines. Parts shown without corresponding text may not be used on your specific engine.**

6817-16

Assemblies include all parts shown in frames.

01/02/2004



REF. NO.	PART NO.	DESCRIPTION	REF. NO.	PART NO.	DESCRIPTION	REF. NO.	PART NO.	DESCRIPTION
830	694544	Stud (Rocker Arm)			0174, 0177, 0193, 0199, 0203, 0207, 0216, 0237, 0247, 0253.			Plate
832	693583	Guard-Muffler				994	697817	Arrester-Spark (Used After Code Date 02031700).
832A	694459	Guard-Muffler						<b>Note</b>
832B	696516	Guard-Muffler	868	★∅692044	Seal-Valve			690813 Arrester-Spark
832C	697818	Guard-Muffler	875	693459	Base-Air Cleaner			Spark
836	690661	Screw (Muffler Guard)	875A	697030	Base-Air Cleaner (High Vent)			(Used Before Code Date 02031800).
836A	693624	Screw (Muffler Guard)	883	691893	Gasket-Exhaust (Adapter to Cylinder)	1005	692592	Fan-Flywheel
836B	691003	Screw (Muffler Guard)	883A	692237	Gasket-Exhaust	1019	694852	Kit-Label
836C	691665	Screw (Muffler Guard)	890	694933	Bracket-Support	1022	★∅691890	Gasket-Rocker Cover
836D	696519	Screw (Muffler Guard)	914	692198	Screw (Rocker Cover)	1023	499924	Cover-Rocker Arm
842	691031	Seal-O Ring (Dipstick Tube)	914A	692557	Screw (Rocker Cover)	1026	693517	Rod-Push
843	695588	Sleeve-Lever Used on Type No(s). 0237, 0245.	957	694261	Cap-Fuel Tank	1029	691230	Arm-Rocker
847	693617	Dipstick/Tube Assembly	958	692586	Valve-Fuel Shut Off	1034	691343	Guide-Push Rod
851	493880	Terminal-Spark Plug	961	693598	Screw (Air Cleaner Bracket)	1036	696766	Label-Emission
863	692596	Bracket-Muffler	967	493537	Filter-Pre Cleaner (Flat Panel)	1051	691265	Ring-Retaining
864	694430	Adapter-Muffler (Used Before Code Date 02031800). Used on Type No(s). 0117, 0153, 0162, 0165, 0172, 0173, 0174, 0177, 0193, 0199, 0203, 0207, 0216, 0237, 0247, 0253.	967A	273356	Filter-Pre Cleaner (High Mount)	1052	698674	Sensor-Oil
			968	692584	Cover-Air Cleaner (Flat Panel)	1054	280275	Tie-Cable
			968A	693460	Cover-Air Cleaner (High Mount)	1058	275092	Owner's Manual (Emission Engines)
			971	690370	Screw (Air Cleaner Base)	1070	692590	Screw (Flywheel Fan)
			971A	690349	Screw (Air Cleaner Base)	1090	691293	Retainer-Brush
			971B	691693	Screw (Air Cleaner Base)	1095	695289	Gasket Set-Valve
			972	694260	Tank-Fuel	1119	691183	Screw (Alternator)
			975	493640	Bowl-Float	1210	498144	Pulley/Spring Assembly (Pulley)
			977	695156	Gasket Set-Carburetor	1211	498144	Pulley/Spring Assembly (Spring)
			977A	697001	Gasket Set-Carburetor (High Vent)	1217	691075	Washer (Starting Switch)
			993	★∅694088	Gasket-Cylinder Head	1225	696198	Nut (Starting Switch)
						1305	691140	Screw (Oil Sensor Module)
						1330	272147	Repair Manual

★ Included in Engine Gasket Set-Ref. No.358.

● Included in Carburetor Overhaul Kit-Ref. No. 121.

◆ Included in Carburetor Gasket Set-Ref. No. 977.

∅ Included in Valve Gasket Set-Ref. No 1095.

**Illustrations cover a range of engines. Parts shown without corresponding text may not be used on your specific engine.**

6817-17

Assemblies include all parts shown in frames.

01/02/2004

## Free Manuals Download Website

<http://myh66.com>

<http://usermanuals.us>

<http://www.somanuals.com>

<http://www.4manuals.cc>

<http://www.manual-lib.com>

<http://www.404manual.com>

<http://www.luxmanual.com>

<http://aubethermostatmanual.com>

Golf course search by state

<http://golfingnear.com>

Email search by domain

<http://emailbydomain.com>

Auto manuals search

<http://auto.somanuals.com>

TV manuals search

<http://tv.somanuals.com>