



Illustrated Parts List

Model Series

127700

TYPE NUMBERS
0100 through 4715.

TABLE OF CONTENTS

Alternator	7
Air Cleaner	4
Blower Housing/Shrouds	6
Camshaft	2
Carburetor	3
Controls	5
Crankshaft	2
Cylinder	2
Electric Starter	7
Electrical	7
Engine Sump	2
Exhaust System	4
Flywheel	6
Flywheel Brake	7
Fuel Supply	5
Governor Spring	5
Ignition	7
Kits/Gaskets	2 & 3
Lubrication	2
Piston Group	2
Rewind Starter	6
Valves	2



PRINTED IN U.S.A.

COPYRIGHT by BRIGGS & STRATTON CORPORATION
All rights reserved. No part of this material may be reproduced or transmitted, in any form or by any means, electronic or mechanical, including photocopying, recording or by any information storage and retrieval system, without permission in writing from Briggs & Stratton Corporation.

127700

1319 WARNING LABEL



REQUIRED when replacing parts with warning labels affixed.

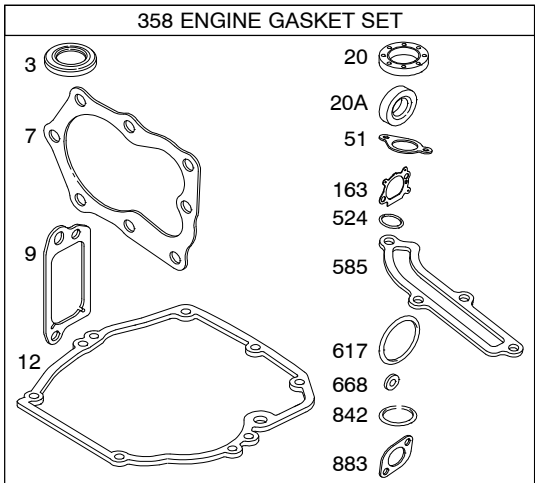
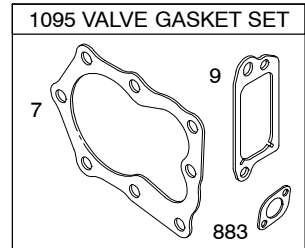
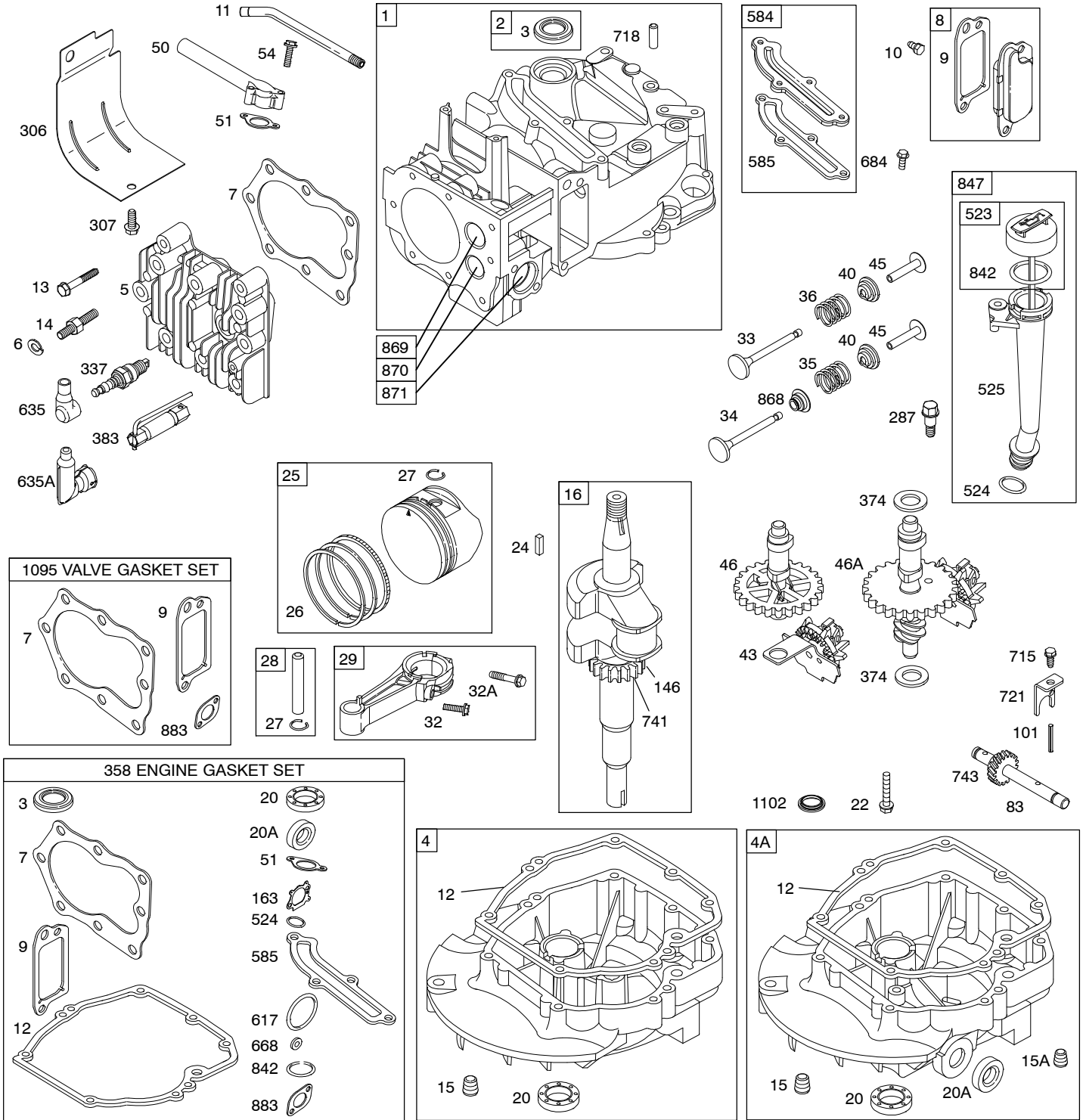
1058 OPERATOR'S MANUAL



1330 REPAIR MANUAL



1019 LABEL KIT

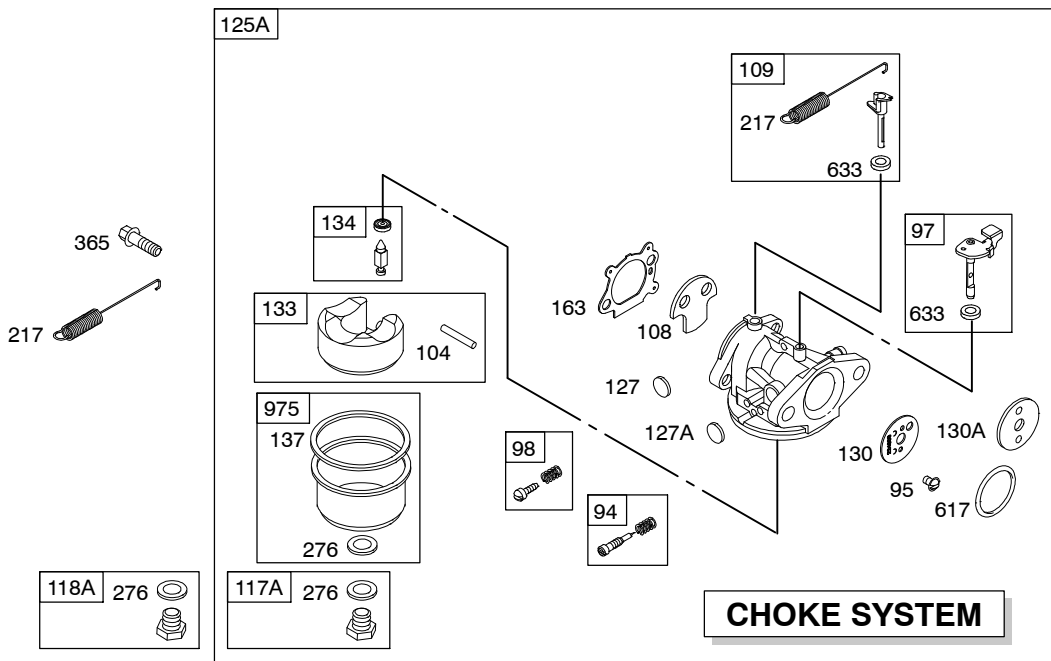
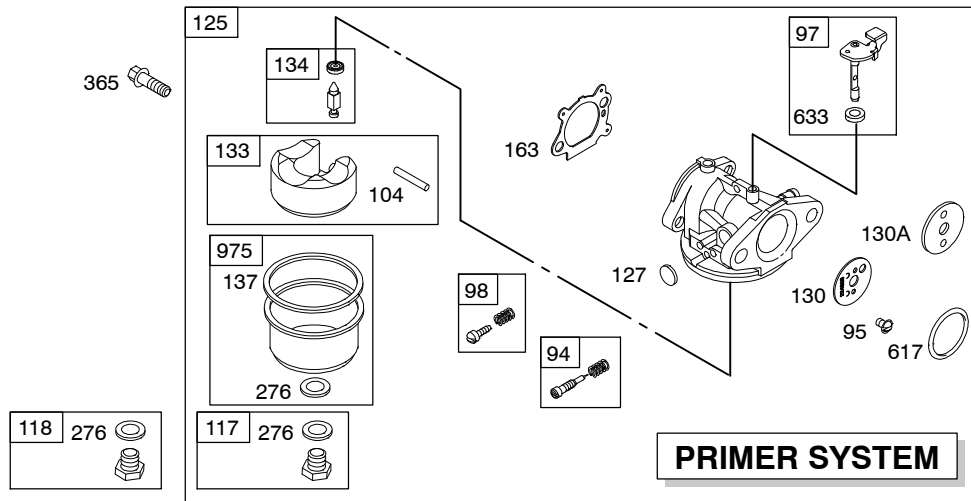


Illustrations cover a range of engines. Parts shown without corresponding text may not be used on your specific engine.

0567-2

Assemblies include all parts shown in frames.

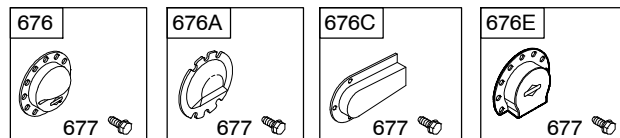
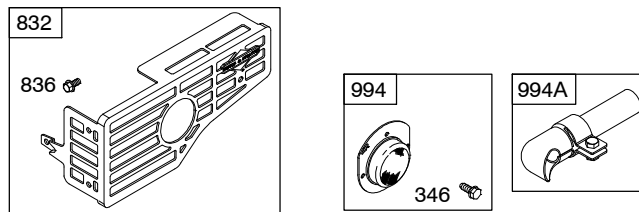
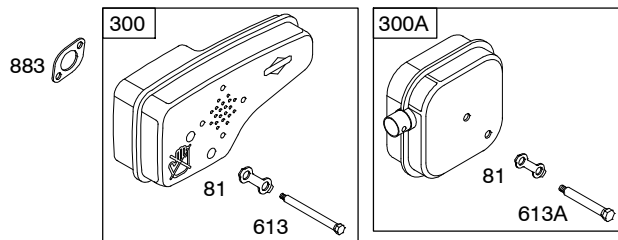
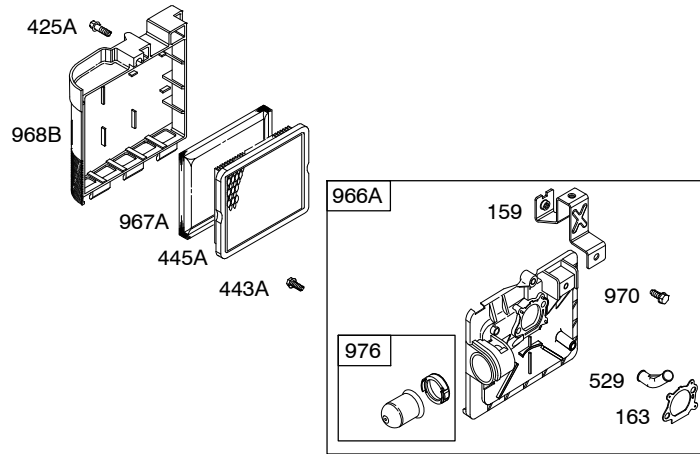
06/27/2008



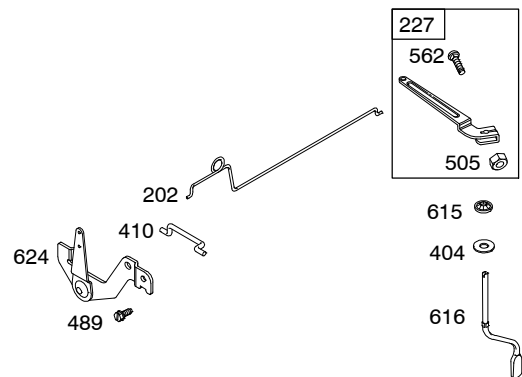
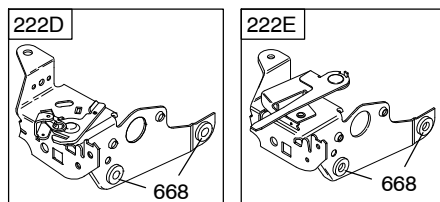
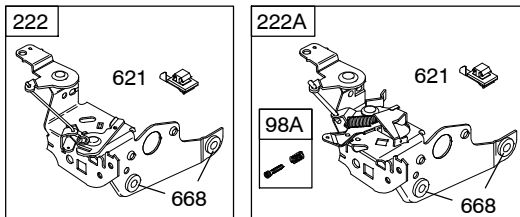
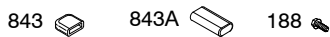
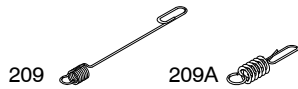
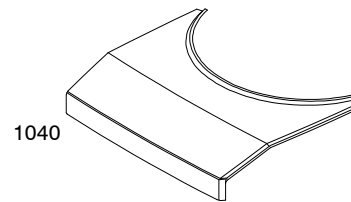
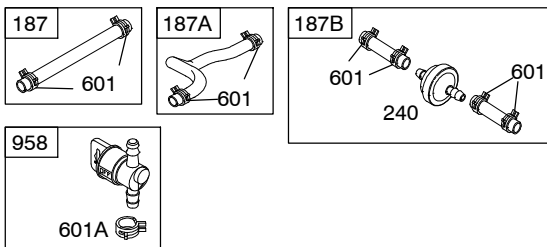
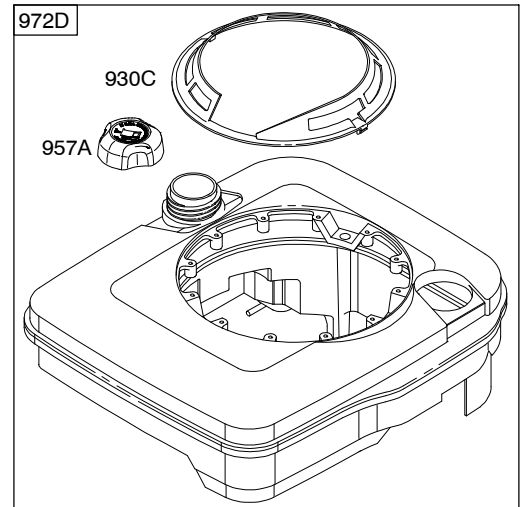
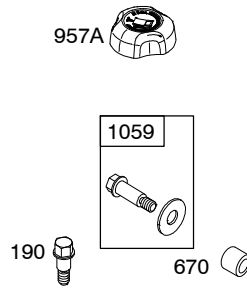
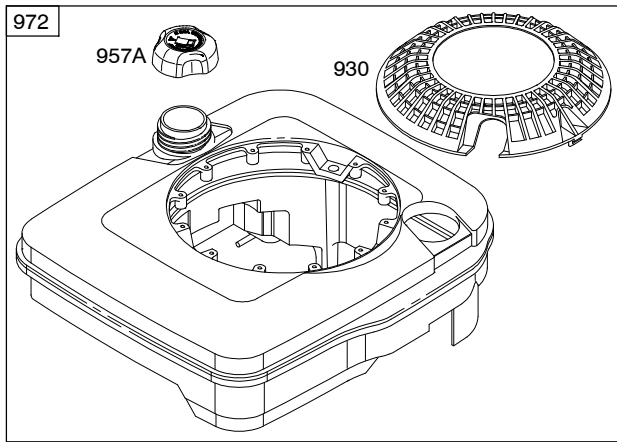
121 CARBURETOR OVERHAUL KIT		
94	134	276
104	137	617
127		633
127A	163	

977 CARBURETOR GASKET SET		
137	276	633
163	617	

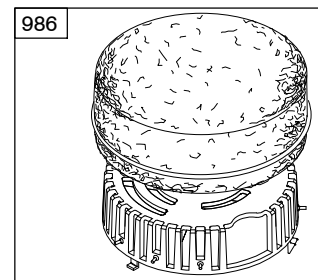
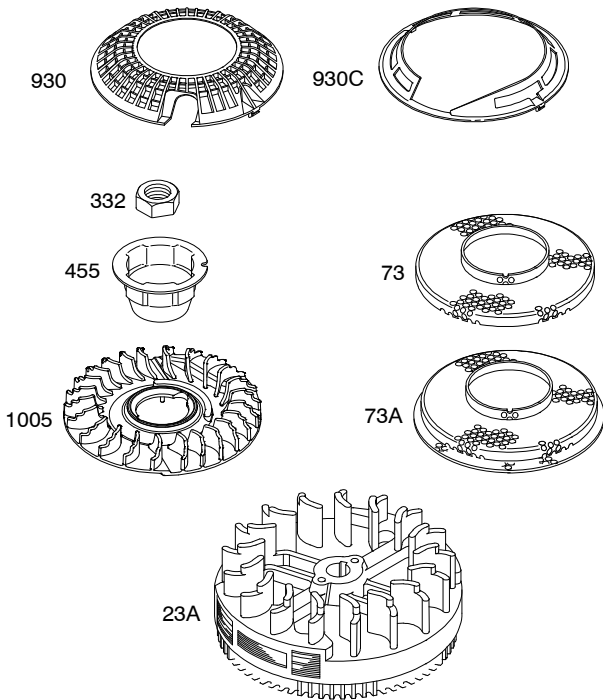
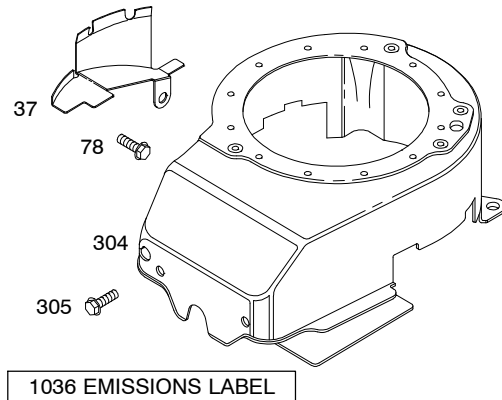
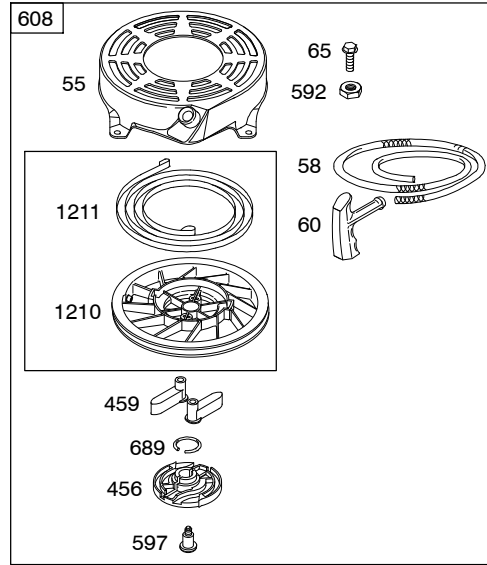
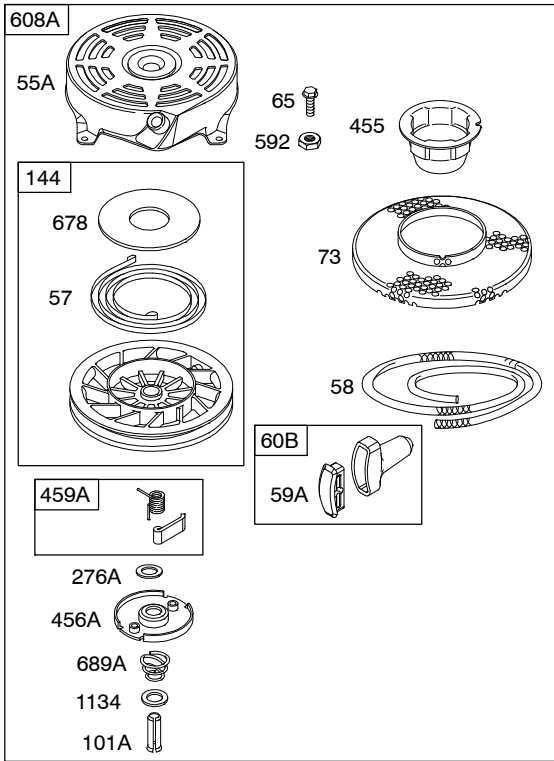
Illustrations cover a range of engines. Parts shown without corresponding text may not be used on your specific engine.
 0567-3 Assemblies include all parts shown in frames. 06/27/2008



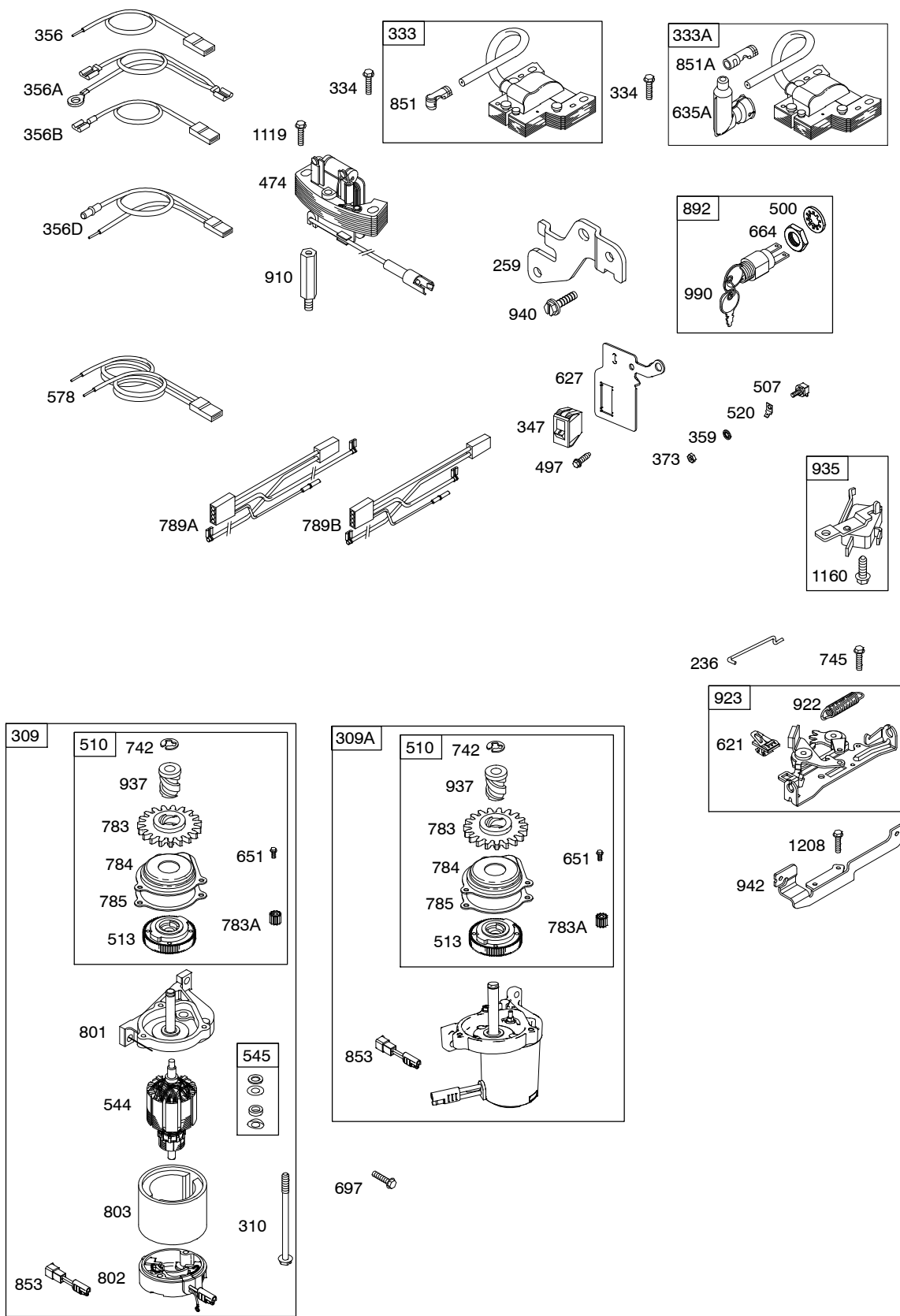
Illustrations cover a range of engines. Parts shown without corresponding text may not be used on your specific engine.
0567-4 Assemblies include all parts shown in frames. 06/27/2008



Illustrations cover a range of engines. Parts shown without corresponding text may not be used on your specific engine.
 0567-5 Assemblies include all parts shown in frames. 06/27/2008



Illustrations cover a range of engines. Parts shown without corresponding text may not be used on your specific engine.
0567-6 Assemblies include all parts shown in frames. **06/27/2008**



Illustrations cover a range of engines. Parts shown without corresponding text may not be used on your specific engine.

127700

REF. NO.	PART NO.	DESCRIPTION	REF. NO.	PART NO.	DESCRIPTION	REF. NO.	PART NO.	DESCRIPTION
1	697322	Cylinder Assembly	16	691451	Crankshaft (Used After Code Date 97011200).			691454 Crankshaft (Used After Code Date 97011200).
2	399269	Kit-Bushing/Seal (Magneto Side)			----- Note -----			Used on Type No(s). 0646.
3	★299819S	Seal-Oil (Magneto Side)			694442 Crankshaft (Used Before Code Date 97011300).			692000 Crankshaft (Used Before Code Date 97011300).
4	493279	Sump-Engine ----- Note ----- 498983 Sump-Engine Used on Type No(s). 1762.			691450 Crankshaft (Used After Code Date 97011200).			Used on Type No(s). 0646.
4A	493365	Sump-Engine			Used on Type No(s). 0600, 0608, 0623, 0627, 0629, 0632, 0633, 0639, 0640, 0641, 1700, 1708, 1746.			691455 Crankshaft (Used After Code Date 97011200).
5	691160	Head-Cylinder			694440 Crankshaft (Used Before Code Date 97011300).			Used on Type No(s). 0660, 0672, 0674, 4711.
6	690371	Washer (Cylinder Head) Used on Type No(s). 0618, 0624.			Used on Type No(s). 0100, 0120, 0123, 0600, 0608, 0623, 0627, 0632.			691375 Crankshaft (Used Before Code Date 97011300).
7	★∅692249	Gasket-Cylinder Head						Used on Type No(s). 0660, 0672.
8	695250	Breather Assembly						
9	★∅699833	Gasket-Breather						
10	691125	Screw (Breather Assembly)						
11	691781	Tube-Breather						
12	★692232	Gasket-Crankcase						
13	690912	Screw (Cylinder Head)						
14	690368	Stud (Cylinder Head) Used on Type No(s). 0618, 0624.						
15	691680	Plug-Oil Drain (Square Socket)						
15A	691093	Plug-Oil Drain (Hex Socket)						

★ Included in Engine Gasket Set-Ref. No.358.

● Included in Carburetor Overhaul Kit-Ref. No. 121.

◆ Included in Carburetor Gasket Set-Ref. No. 977.

∅ Included in Valve Gasket Set-Ref. No 1095.

Illustrations cover a range of engines. Parts shown without corresponding text may not be used on your specific engine.

0567-8

Assemblies include all parts shown in frames.

06/27/2008

REF. NO.	PART NO.	DESCRIPTION	REF. NO.	PART NO.	DESCRIPTION	REF. NO.	PART NO.	DESCRIPTION
20	★399781S	Seal-Oil (PTO Side)	25	795429	Piston Assembly (Standard) (Used After Code Date 07090300).	26	795431	Ring Set (Standard) (Used After Code Date 07090300).
20A	★691952	Seal-Oil (PTO Side) (Auxiliary PTO)			----- Note -----			----- Note -----
22	691092	Screw (Crankcase Cover/ Sump)		791097	Piston Assembly (Used After Code Date 04031400 and Before Code Date 07090400).		791098	Ring Set (Standard) (Used After Code Date 04031400 and Before Code Date 07090400).
23A	691987	Flywheel ----- Note ----- 691992 Flywheel Used on Type No(s). 0660, 0672, 0674, 1770, 1783, 4711, 4715.		499429	Piston Assembly (Standard) (Used After Code Date 97011200 and Before Code Date 04031500).		499425	Ring Set (Standard) (Used After Code Date 97011200 and Before Code Date 04031500).
24	222698S	Key-Flywheel		493262	Piston Assembly (Standard) (Used Before Code Date 97011300).		493261	Ring Set (Standard) (Used Before Code Date 97011300).
				795430	Piston Assembly (.020" Oversize) (Used After Code Date 07090300).		795432	Ring Set (.020" Oversize) (Used After Code Date 07090300).
				791326	Piston Assembly (.020" Oversize) (Used After Code Date 04102100 and Before Code Date 07040400).		791324	Ring Set (.020" Oversize) (Used After Code Date 04102100 and Before Code Date 07090400).
				499431	Piston Assembly (.020" Oversize) (Used After Code Date 97011200 and Before Code Date 04102200).		499427	Ring Set (.020" Oversize) (Used After Code Date 97011200 and Before Code Date 04102200).
				493386	Piston Assembly (.020" Oversize) (Used Before Code Date 97011300).		493389	Ring Set (.020" Oversize) (Used Before Code Date 97011300).
				493387	Piston Assembly (.030" Oversize) (Used Before Code Date 97011300).	27	691866	Lock-Piston Pin (Used After Code Date 97011200).
								----- Note -----
							691588	Lock-Piston Pin (Used Before Code Date 97011300).

★ Included in Engine Gasket Set-Ref. No.358.

● Included in Carburetor Overhaul Kit-Ref. No. 121.

◆ Included in Carburetor Gasket Set-Ref. No. 977.

⊘ Included in Valve Gasket Set-Ref. No 1095.

Illustrations cover a range of engines. Parts shown without corresponding text may not be used on your specific engine.

0567-9

Assemblies include all parts shown in frames.

06/27/2008

127700

REF. NO.	PART NO.	DESCRIPTION	REF. NO.	PART NO.	DESCRIPTION	REF. NO.	PART NO.	DESCRIPTION
28	499423	Pin-Piston (Standard) (Used After Code Date 97011200). ----- Note ----- 298909 Pin-Piston (Standard) (Used Before Code Date 97011300). 298908 Pin-Piston (.005" Oversize) (Used Before Code Date 97011300).	46	691449	Camshaft (Used After Code Date 96060200). ----- Note ----- 492830 Camshaft (Used Before Code Date 96060300).	57	491889	Spring-Rewind Starter
29	499424	Rod-Connecting (Standard) (Used After Code Date 97011200). ----- Note ----- 490566 Rod-Connecting (Standard) (Used Before Code Date 97011300).	46A	691460	Camshaft (Clockwise) (Used After Code Date 96060200). Used on Type No(s). 0627. ----- Note ----- 493740 Camshaft (Clockwise) (Used Before Code Date 96060300). Used on Type No(s). 0627.	58	697316	Rope-Starter (Cut To Required Length)
32	691664	Screw (Connecting Rod)			691459 Camshaft (Counterclockwise) (Used After Code Date 96060200). Used on Type No(s). 0144, 0629, 0633, 0644, 1715, 1746, 1752, 1770.	59A	396892	Insert-Grip
32A	695759	Screw (Connecting Rod)			493738 Camshaft (Counterclockwise) (Used Before Code Date 96060300). Used on Type No(s). 0144, 0644.	60	281434S	Grip-Starter Rope
33	262651S	Valve-Exhaust	50	497465	Manifold-Intake	60B	393152	Grip-Starter Rope
34	262652S	Valve-Intake	51	★272199S	Gasket-Intake	65	690837	Screw (Rewind Starter)
35	691270	Spring-Valve (Intake)	54	691650	Screw (Intake Manifold)	73	691222	Screen-Rotating
36	691270	Spring-Valve (Exhaust)	55	691421	Housing-Rewind Starter	73A	224527	Screen-Rotating
37	694086	Guard-Flywheel	55A	492831	Housing-Rewind Starter	78	691108	Screw (Flywheel Guard)
40	692194	Retainer-Valve				81	691740	Lock-Muffler Screw
43	691997	Slinger -Governor/Oil ----- Note ----- 691486 Slinger-Governor/Oil Used on Type No(s). 1762.				83	691778	Shaft-Auxiliary Drive ----- Note ----- 690521 Shaft-Auxiliary Drive Used on Type No(s). 0144, 0644. 690522 Shaft-Auxiliary Drive Used on Type No(s). 1770.
45	690548	Tappet-Valve				94	●493765	Kit-Idle Mixture
						95	691636	Screw (Throttle Valve)
						97	493267	Shaft-Throttle (Metal) ----- Note ----- 696565 Shaft-Throttle (Plastic)
						98	398185	Kit-Idle Speed
						98A	493280	Kit-Idle Speed
						101	691623	Pin-Shaft
						101A	262626	Pin-Shaft (For Rewind Starter)
						104	●691242	Pin-Float Hinge
						108	691182	Valve-Choke
						109	494218	Shaft-Choke

★ Included in Engine Gasket Set-Ref. No.358.

● Included in Carburetor Overhaul Kit-Ref. No. 121.

◆ Included in Carburetor Gasket Set-Ref. No. 977.

⊘ Included in Valve Gasket Set-Ref. No 1095.

Illustrations cover a range of engines. Parts shown without corresponding text may not be used on your specific engine.

0567-10

Assemblies include all parts shown in frames.

06/27/2008

REF. NO.	PART NO.	DESCRIPTION	REF. NO.	PART NO.	DESCRIPTION	REF. NO.	PART NO.	DESCRIPTION
117	494870	Jet–Main (Standard) (Used After Code Date 96060200). ----- Note ----- 497466 Jet–Main (Standard) (Used After Code Date 95102900 and Before Code Date 96060300). 497315 Jet–Main (Standard) (Used Before Code Date 95103000). 493637 Jet–Main (Standard) Used on Type No(s). 0100, 0117, 0119, 0124, 0130, 0131, 0144.	118	497315	Jet–Main (High Altitude) (Used After Code Date 96060200). ----- Note ----- 496495 Jet–Main (High Altitude) (Used After Code Date 95102900 and Before Code Date 96060300). 497348 Jet–Main (High Altitude) (Used Before Code Date 95103000). 496063 Jet–Main (High Altitude) Used on Type No(s). 0100, 0117, 0119, 0124, 0130, 0131, 0144.	127	●694468	Plug–Welch
117A	498977	Jet–Main (Standard) (Used After Code Date 96060200). ----- Note ----- 493637 Jet–Main (Standard) (Used Before Code Date 96060300).	118A	498981	Jet–Main (High Altitude) (Used After Code Date 96060200). ----- Note ----- 496063 Jet–Main (High Altitude) (Used Before Code Date 96060300). 121 498260 Kit–Carburetor Overhaul 125 498170 Carburetor (Used After Code Date 96060200). ----- Note ----- 498254 Carburetor (Used Before Code Date 96060300). 496114 Carburetor Used on Type No(s). 0100, 0117, 0119, 0124, 0130, 0131, 0144.	127A	●691739	Plug–Welch
						130	691203	Valve–Throttle ----- Note ----- 696564 Valve–Throttle (Primer System) (Used After Code Date 01040800). 130A 691181 Valve–Throttle 133 398187 Float–Carburetor 134 ● 398188 Kit–Needle/Seat 137 ●● 693981 Gasket–Float Bowl 144 493824 Pulley/Spring Assembly 146 690979 Key–Timing 159 691753 Bracket–Air Cleaner Primer 163 ★●◆ 272653 Gasket–Air Cleaner 187 791766 Line–Fuel (Cut to Required Length) 187A 791873 Line–Fuel (Molded) 187B 791891 Line–Fuel (Includes Filter) (Used After Code Date 05063000). ----- Note ----- 692042 Line–Fuel (Includes Filter) (Used Before Code Date 05070100). 188 690877 Screw (Control Bracket) 190 690940 Screw (Fuel Tank) 202 691829 Link–Mechanical Governor
			125A	498965	Carburetor (Used After Code Date 96060200). ----- Note ----- 494217 Carburetor (Used Before Code Date 96060300). 499059 Carburetor Used on Type No(s). 1762.			

★ Included in Engine Gasket Set–Ref. No.358.

● Included in Carburetor Overhaul Kit–Ref. No. 121.

◆ Included in Carburetor Gasket Set–Ref. No. 977.

⊗ Included in Valve Gasket Set–Ref. No 1095.

Illustrations cover a range of engines. Parts shown without corresponding text may not be used on your specific engine.

0567–11

Assemblies include all parts shown in frames.

06/27/2008

127700

REF. NO.	PART NO.	DESCRIPTION	REF. NO.	PART NO.	DESCRIPTION	REF. NO.	PART NO.	DESCRIPTION																																				
209	699056	Spring-Governor ----- Note ----- 691852 Spring-Governor Used on Type No(s). 1714, 1722, 1726, 1792. 691851 Spring-Governor Used on Type No(s). 0618, 0624, 0639, 1734. 691292 Spring-Governor Used on Type No(s). 0600, 0608, 0645, 1700, 1705, 1708, 1710, 1711, 1712, 1713, 1715, 1716, 1717, 1718, 1719, 1723, 1736, 1740, 1745, 1746, 1791, 1792. 691291 Spring-Governor Used on Type No(s). 4715. 691290 Spring-Governor Used on Type No(s). 0674. 690241 Spring-Governor Used on Type No(s). 1762.	209A	691276	Spring-Governor ----- Note ----- 691835 Spring-Governor Used on Type No(s). 0646, 0647. 691834 Spring-Governor Used on Type No(s). 0117, 0119, 0123, 0144, 0629, 0633, 0641, 0648, 0651, 0653, 0654, 0678. 691833 Spring-Governor Used on Type No(s). 0626. 691275 Spring-Governor Used on Type No(s). 0120, 0124. 690569 Spring-Governor Used on Type No(s). 0627, 0632. 690568 Spring-Governor Used on Type No(s). 0672. 690567 Spring-Governor Used on Type No(s). 0660. 262661 Spring-Governor Used on Type No(s). 0100, 0115, 0131. 262659 Spring-Governor Used on Type No(s). 0130.	217	690354	Spring-Choke Return	222	790143	Bracket-Control (Remote/Manual Friction) (Primer)	222A	692021	Bracket-Control (Remote, Choke A Matic, Non Compliance) ----- Note ----- 690839 Bracket-Control (Manual Friction) (Choke A Matic) Used on Type No(s). 0648, 0651, 0653, 0654, 0672, 0676, 0677, 0678.	222D	692467	Bracket-Control (Fixed Speed)	222E	692982	Bracket-Control (Fixed Speed, and 5 Position Manual Choke)	227	690783	Lever-Governor Control	236	691826	Link-Lockout	240	298090S	Filter-Fuel	259	691223	Bracket-Casing Clamp	265	690798	Clamp-Casing	265A	691024	Clamp-Casing	267	691044	Screw (Casing Clamp)	268	691025	Casing-Control Wire (Cut to Required Length)

★ Included in Engine Gasket Set-Ref. No.358.

● Included in Carburetor Overhaul Kit-Ref. No. 121.

◆ Included in Carburetor Gasket Set-Ref. No. 977.

⊘ Included in Valve Gasket Set-Ref. No 1095.

Illustrations cover a range of engines. Parts shown without corresponding text may not be used on your specific engine.

0567-12

Assemblies include all parts shown in frames.

06/27/2008

REF. NO.	PART NO.	DESCRIPTION	REF. NO.	PART NO.	DESCRIPTION	REF. NO.	PART NO.	DESCRIPTION
269	691026	Wire-Control (Cut to Required Length)	332	690662	Nut (Flywheel)	443A	692523	Screw (Air Cleaner Primer Base)
270	691027	Nut (Control Wire Casing)	333	802574	Armature-Magneto	445A	491588S	Filter-Air Cleaner Cartridge
271	691028	Lever-Control	333A	792640	Armature-Magneto (Screw On Spark Plug Boot)	455	791960	Cup-Flywheel
276	♦♦271716	Washer-Sealing	----- Note -----			456	692299	Plate-Pawl Friction
276A	280973	Washer-Sealing	793353 Armature-Magneto			456A	224321	Plate-Pawl Friction
287	690940	Screw (Dipstick Tube)	(Snap In Spark Plug Boot)			459	281505S	Plate-Ratchet
300	496106S	Muffler (Tuned)	334	691061	Screw (Magneto Armature)	459A	492833	Pawl-Ratchet
300A	494343S	Muffler (Square Lo Tone)	337	802592S	Plug-Spark (Resistor)	474	691991	Alternator
304	493293	Housing-Blower	----- Note -----			489	690664	Screw (Linkage Lever)
		493294 Housing-Blower	697451 Plug-Spark (EMS)			497	690664	Screw (Stopswitch Bracket)
		Used on Type No(s). 0115, 0626, 0639, 0646, 0660, 0672, 0674, 1734, 1762, 1770, 1783, 4711, 4715.	346	690661	Screw (Spark Arrestor)	500	691086	Washer (Key Switch)
		695892 Housing-Blower	347	691396	Switch-Rocker	505	691251	Nut (Governor Control Lever)
		Used on Type No(s). 1735.	356	692390	Wire-Stop	507	691972	Insulator
305	691108	Screw (Blower Housing)	356A	690650	Wire-Stop	510	795093	Drive-Starter
306	690450	Shield-Cylinder	356B	693010	Wire-Stop	513	692358	Clutch-Drive
307	690345	Screw (Cylinder Shield)	356D	496381	Wire-Stop	520	691084	Terminal-Ground
309	695550	Motor-Starter (Used Before Code Date 07052900).	358	497316	Gasket Set-Engine	523	499621	Dipstick
309A	795092	Motor-Starter (Used After Code Date 07052800).	359	691077	Washer (Ground Terminal)	524	★692296	Seal-Dipstick Tube
310	692327	Bolt (Starter Motor)	363	19069	Flywheel Puller	525	495265	Tube-Dipstick
			365	691688	Screw (Carburetor)	529	691923	Grommet
			373	691612	Nut (Ground Terminal)	544	690786	Armature-Starter
			374	691074	Washer (Camshaft)	545	492919	Washer Set (Starter Motor)
			383	89838S	Wrench-Spark Plug	562	92613	Bolt (Governor Control Lever)
			404	690272	Washer (Governor Crank)	578	398153	Wire Assembly
			410	690575	Link-Control	584	697734	Cover-Breather Passage
			425A	690670	Screw (Air Cleaner Cover)	585	★691879	Gasket-Breather Passage

★ Included in Engine Gasket Set-Ref. No.358.

● Included in Carburetor Overhaul Kit-Ref. No. 121.

◆ Included in Carburetor Gasket Set-Ref. No. 977.

⊘ Included in Valve Gasket Set-Ref. No 1095.

Illustrations cover a range of engines. Parts shown without corresponding text may not be used on your specific engine.

127700

REF. NO.	PART NO.	DESCRIPTION	REF. NO.	PART NO.	DESCRIPTION	REF. NO.	PART NO.	DESCRIPTION		
592	690800	Nut (Rewind Starter)	677	690661	Screw (Muffler Deflector)	784	795095	Cover–Starter Gear		
597	691696	Screw (Pawl Friction Plate)	678	224278	Spacer–Rewind	785	692352	Gasket–Starter Cover		
601	791850	Clamp–Hose	684	690345	Screw (Breather Passage Cover)	789A	691372	Harness–Wiring (Used Before Code Date 00040700).		
601A	691038	Clamp–Hose	689	691855	Spring–Friction	789B	696547	Harness–Wiring (Used After Code Date 00040600).		
608	497680	Starter–Rewind	689A	262625	Spring–Friction	801	690782	Cap–Drive		
608A	497598	Starter–Rewind	697	691127	Screw (Drive Cap)	802	695267	Cap–End (Used After Code Date 00040600).		
613	691340	Screw (Muffler)	715	691147	Screw (Shaft Stop)	----- Note -----				
613A	691653	Screw (Muffler)	718	690959	Pin–Locating	695975	Cap–End (Used Before Code Date 00040700).			
615	690340	Retainer–Governor Shaft	721	690449	Stop–Shaft	803	695266	Housing–Starter (Used After Code Date 00040600).		
616	698801	Crank–Governor	741	795755	Gear–Timing (Plastic)	----- Note -----				
617★◆270344		Seal–O Ring (Intake Manifold)			794388	Gear–Timing (Use Without Woodruff Key)	695975	Housing– Starter (Used Before Code Date 00040700).		
621	692310	Switch–Stop			790345	Gear–Timing (Use Without Woodruff Key)	832	499034	Guard–Muffler	
624	691419	Lever–Linkage			790345	Gear–Timing (Use Before Code Date 07100100).	836	690664	Screw (Muffler Guard)	
627	692872	Bracket–Stop Switch			691830	Gear–Timing (Uses Woodruff Key)	842	★691031	Seal–O Ring (Dipstick/Tube Assembly)	
633◆◆691321		Seal–Choke/Throttle Shaft (Throttle Shaft)			742	93941	Retainer–E Ring	843	691884	Sleeve–Lever (Speed Control)
635	66538S	Boot–Spark Plug			743	690516	Gear–Drive (Clockwise) Used on Type No(s). 0627.	843A	691895	Sleeve–Lever (Choke)
635A	792597	Boot–Spark Plug (Screw On Style)			----- Note -----		847	692047	Dipstick/Tube Assembly	
		----- Note -----			691772	Gear–Drive (Counterclockwise) Used on Type No(s). 0144, 0629, 0633, 0644, 1715, 1752, 1770.	851	493880S	Terminal–Spark Plug	
		793351			745	691648	Screw (Brake)	851A	692424	Terminal–Spark Plug
		Boot–Spark Plug (Snap On Style)			783	691918	Gear–Pinion	853	695268	Adapter–Wire
651	691660	Screw (Starter Gear Cover)			783A	691269	Gear–Pinion	868	697338	Seal–Valve
664	691087	Nut (Key Switch)						869	691155	Seat–Valve (Intake)
668	★493823	Spacer (Includes 2)								
670	692294	Spacer–Fuel Tank								
676	396548	Deflector–Muffler (Louvered)								
676A	393756	Deflector–Muffler (Side Out) (Shallow)								
676C	493871	Deflector–Muffler (Side Out) (Extended) (Horseshoe)								
676E	393760	Deflector–Muffler (Side Out) (Deep)								

★ Included in Engine Gasket Set–Ref. No.358.

● Included in Carburetor Overhaul Kit–Ref. No. 121.

◆ Included in Carburetor Gasket Set–Ref. No. 977.

⊘ Included in Valve Gasket Set–Ref. No 1095.

Illustrations cover a range of engines. Parts shown without corresponding text may not be used on your specific engine.

0567–14

Assemblies include all parts shown in frames.

06/27/2008

REF. NO.	PART NO.	DESCRIPTION	REF. NO.	PART NO.	DESCRIPTION	REF. NO.	PART NO.	DESCRIPTION
870	690380	Seat-Valve (Exhaust)	937	691325	Spline-Starter	1005	691346	Fan-Flywheel
871	262001	Bushing-Valve Guide (Exhaust)	940	691044	Screw (Casing Clamp Bracket)	1019	494256	Kit-Label
		----- Note -----	942	690455	Bracket-Brake	1036		Label-Emissions (Available From A Briggs & Statton Authorized Dealer)
		63709 Bushing-Valve- Guide (Intake)	957A	692046	Cap-Fuel Tank (Plastic)	1040	281252	Plate-Trim
883	★∅691881	Gasket-Exhaust	958	698183	Valve-Fuel Shutoff (Plastic)	1058	277039	Operator's Manual
892	690646	Switch-Key	966A	496116	Base-Air Cleaner Primer	1059	692311	Kit-Screw/Washer
910	691094	Stud (Alternator)	967A	493537S	Filter-Pre Cleaner	1095	498528	Gasket Set-Valve
922	691831	Spring-Brake	968B	692298	Cover-Air Cleaner	1102	691255	Guide-Pilot
		----- Note -----	970	691669	Screw (Air Cleaner Primer Bracket)	1119	691648	Screw (Alternator)
		692135 Spring-Brake Used on Type No(s). 1735.	972	699392	Tank-Fuel (Plastic)	1134	224322	Washer (Pawl Friction Plate)
923	691994	Brake	972D	497343	Tank-Fuel (Plastic)	1160	690345	Screw (Interlock Switch)
		----- Note -----	975	493640	Bowl-Float	1208	690345	Screw (Brake Bracket)
		695891 Brake Used on Type No(s). 1735.	976	694395	Primer-Carburetor	1210	498144	Pulley/Spring Assembly (Pulley)
930	691919	Guard-Rewind (Round)	977	498261	Gasket Set-Carburetor	1211	498144	Pulley/Spring Assembly (Spring)
930C	690598	Guard-Rewind (Trim Ring)	986	693514	Filter-Debris Foam	1319	794467	Label-Warning
935	499421	Switch-Interlock	990	691959	Key Set	1330	270962	Manual-Repair
			994	398067	Arrestor-Spark			
			994A	692957	Arrestor-Spark			

★ Included in Engine Gasket Set-Ref. No.358.

● Included in Carburetor Overhaul Kit-Ref. No. 121.

◆ Included in Carburetor Gasket Set-Ref. No. 977.

∅ Included in Valve Gasket Set-Ref. No 1095.

Illustrations cover a range of engines. Parts shown without corresponding text may not be used on your specific engine.

0567-15

Assemblies include all parts shown in frames.

06/27/2008

Free Manuals Download Website

<http://myh66.com>

<http://usermanuals.us>

<http://www.somanuals.com>

<http://www.4manuals.cc>

<http://www.manual-lib.com>

<http://www.404manual.com>

<http://www.luxmanual.com>

<http://aubethermostatmanual.com>

Golf course search by state

<http://golfingnear.com>

Email search by domain

<http://emailbydomain.com>

Auto manuals search

<http://auto.somanuals.com>

TV manuals search

<http://tv.somanuals.com>