

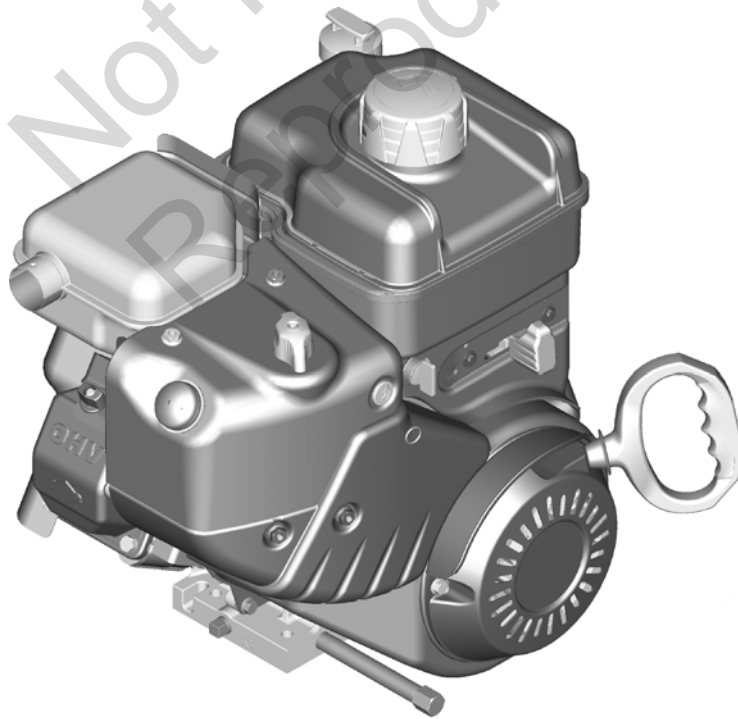


**en** *Operator's Manual*  
**es** *Manual del Operario*  
**fr** *Manuel de l'opérateur*



**Model** 120000  
150000  
200000  
210000

**Snow Series™**  
**Professional Series™**



Copyright © Briggs & Stratton Corporation,  
Milwaukee, WI, USA. All rights reserved.  
Briggs & Stratton is a registered trademark  
of Briggs & Stratton Corporation.

Form No. 279128TRI  
Revision: G

English

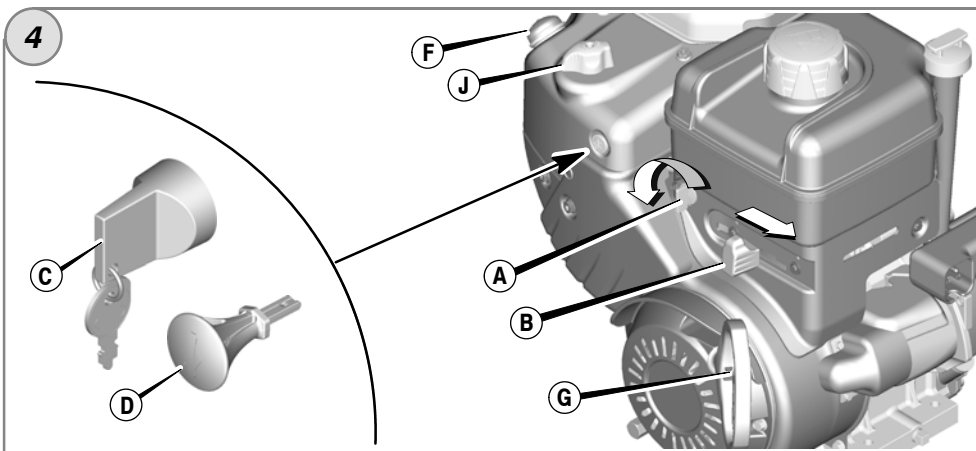
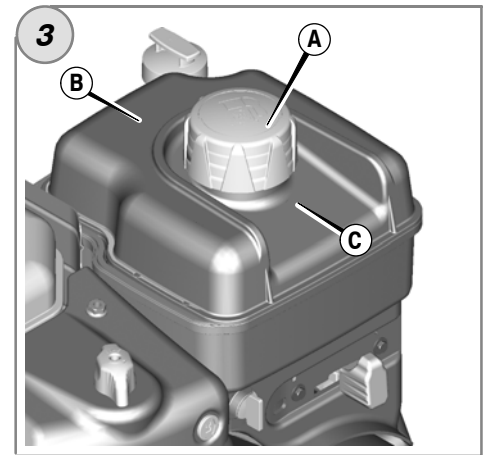
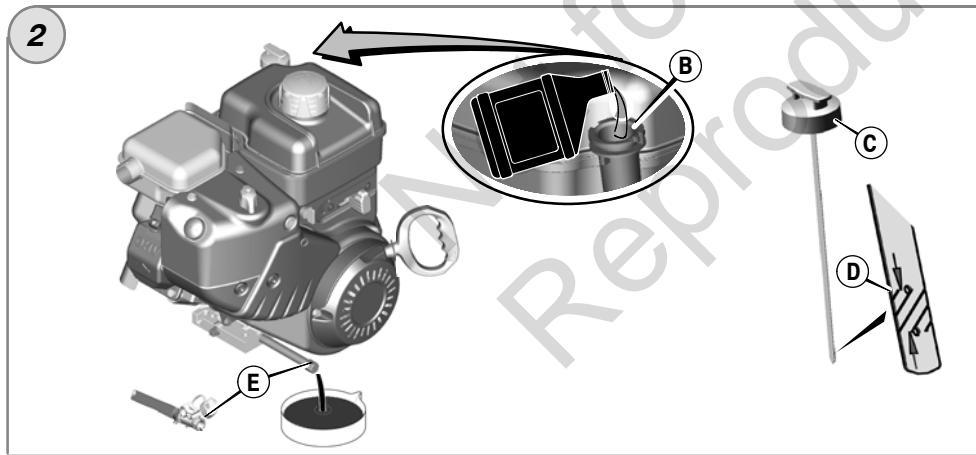
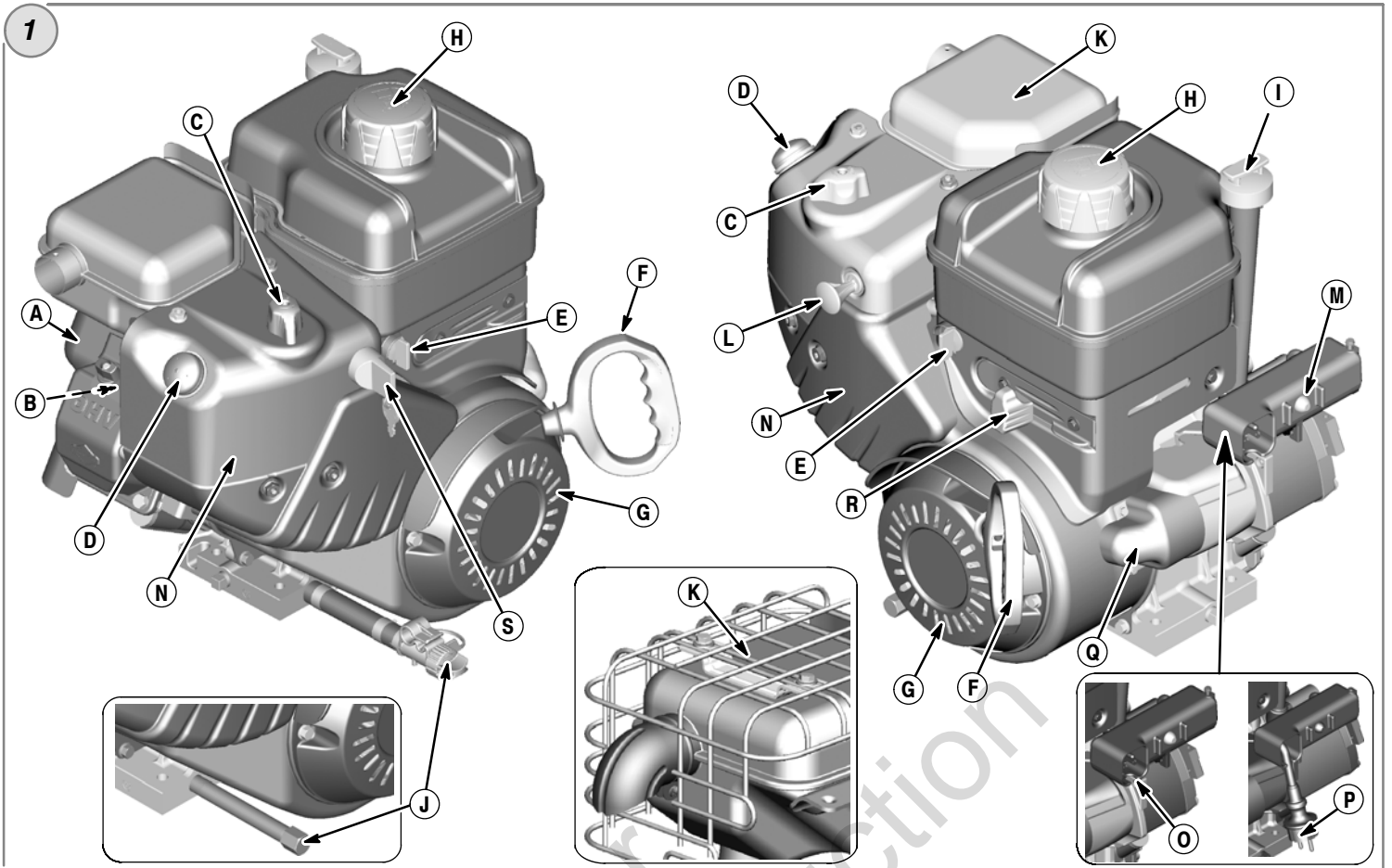
**en**

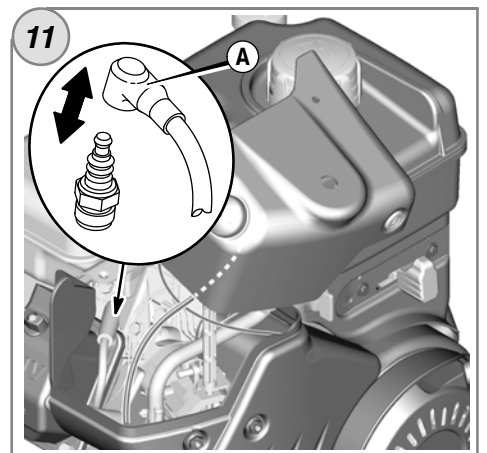
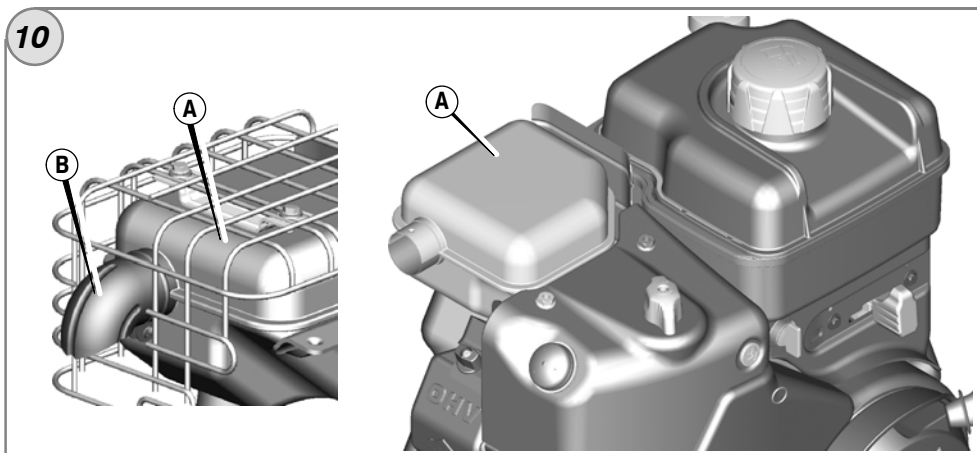
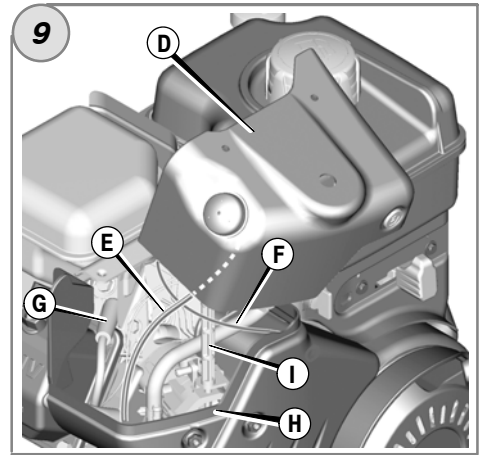
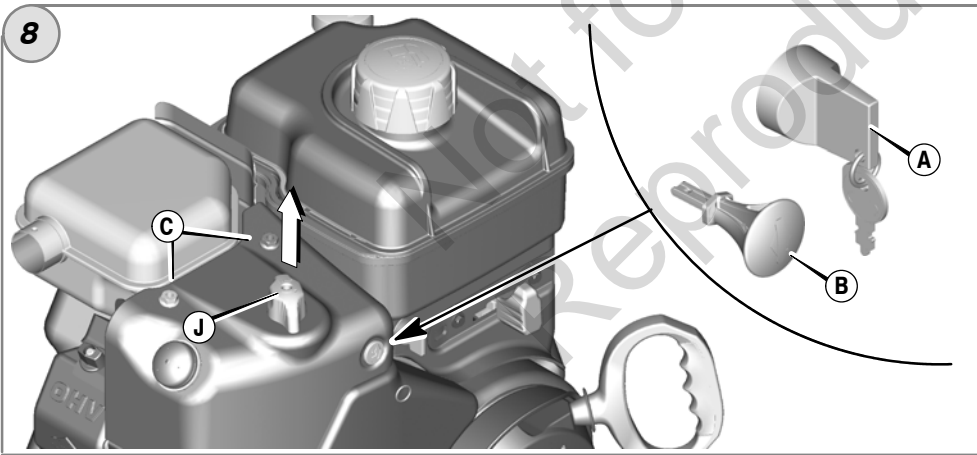
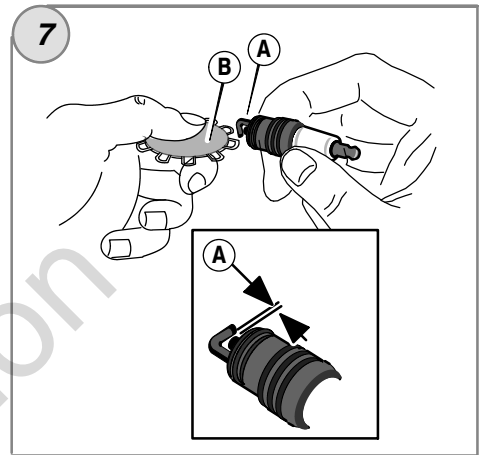
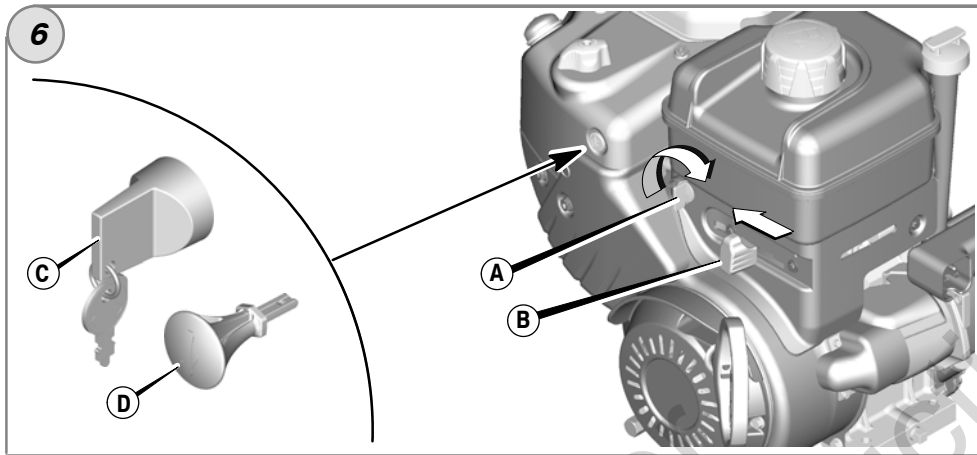
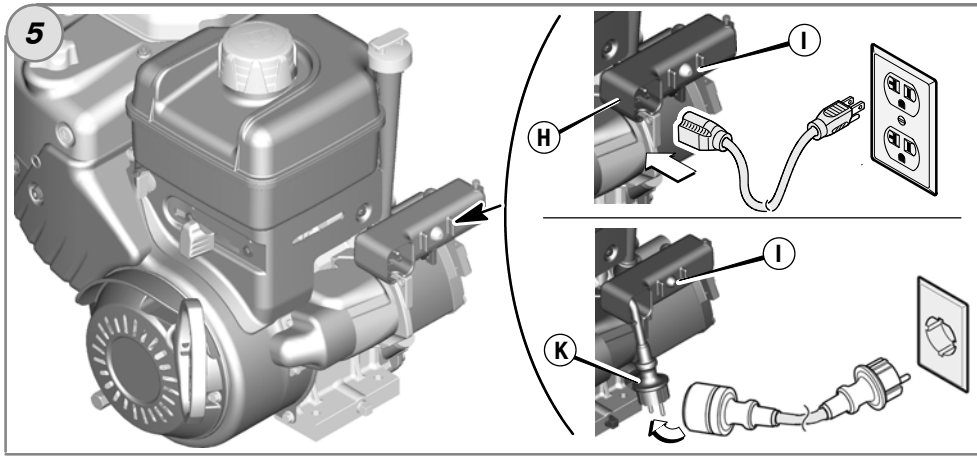
Español

**es**

Français

**fr**





## General Information

This manual contains safety information to make you aware of the hazards and risks associated with engines and how to avoid them. It also contains instructions for the proper use and care of the engine. Because Briggs & Stratton Corporation does not necessarily know what equipment this engine will power, it is important that you read and understand these instructions and the instructions for the equipment. **Save these original instructions for future reference.**

For replacement parts or technical assistance, record below the engine model, type, and code numbers along with the date of purchase. These numbers are located on your engine (see the **Features and Controls** page).

**Date of purchase:** \_\_\_\_\_  
MM/DD/YYYY

**Engine model:** \_\_\_\_\_  
Model:                      Type:                      Code:

Look for the 2D barcode located on some engines. When viewed with a 2D-capable device, the code will bring up our website where you can access support information for this product. Data rates apply. Some countries may not have online support information available.



**Power Ratings:** The gross power rating for individual gasoline engine models is labeled in accordance with SAE (Society of Automotive Engineers) code J1940 Small Engine Power & Torque Rating Procedure, and is rated in accordance with SAE J1995. Torque values are derived at 2600 RPM for those engines with "rpm" called out on the label and 3060 RPM for all others; horsepower values are derived at 3600 RPM. The gross power curves can be viewed at [www.BRIGGSandSTRATTON.COM](http://www.BRIGGSandSTRATTON.COM). Net power values are taken with exhaust and air cleaner installed whereas gross power values are collected without these attachments. Actual gross engine power will be higher than net engine power and is affected by, among other things, ambient operating conditions and engine-to-engine variability. Given the wide array of products on which engines are placed, the gasoline engine may not develop the rated gross power when used in a given piece of power equipment. This difference is due to a variety of factors including, but not limited to, the variety of engine components (air cleaner, exhaust, charging, cooling, carburetor, fuel pump, etc.), application limitations, ambient operating conditions (temperature, humidity, altitude), and engine-to-engine variability. Due to manufacturing and capacity limitations, Briggs & Stratton may substitute an engine of higher rated power for this engine.

## Operator Safety

### SAFETY AND CONTROL SYMBOLS



The safety alert symbol is used to identify safety information about hazards that can result in personal injury. A signal word (DANGER, WARNING, or CAUTION) is used with the alert symbol to indicate the likelihood and the potential severity of injury. In addition, a hazard symbol may be used to represent the type of hazard.

- DANGER** indicates a hazard which, if not avoided, **will result in death or serious injury.**
- WARNING** indicates a hazard which, if not avoided, **could result in death or serious injury.**
- CAUTION** indicates a hazard which, if not avoided, **could result in minor or moderate injury.**

**NOTICE** indicates a situation that **could result in damage to the product.**

**WARNING**  
Certain components in this product and its related accessories contain chemicals known to the State of California to cause cancer, birth defects, or other reproductive harm. Wash hands after handling.

**WARNING**  
The engine exhaust from this product contains chemicals known to the State of California to cause cancer, birth defects, or other reproductive harm.

**WARNING**  
Briggs & Stratton Engines are not designed for and are not to be used to power: fun-karts; go-karts; children's, recreational, or sport all-terrain vehicles (ATVs); motorbikes; hovercraft; aircraft products; or vehicles used in competitive events not sanctioned by Briggs & Stratton. For information about competitive racing products, see [www.briggsracing.com](http://www.briggsracing.com). For use with utility and side-by-side ATVs, please contact Briggs & Stratton Engine Application Center, 1-866-927-3349. Improper engine application may result in serious injury or death.

**NOTICE:** This engine was shipped from Briggs & Stratton without oil. Before you start the engine, make sure you add oil according to the instructions in this manual. If you start the engine without oil, it will be damaged beyond repair and will not be covered under warranty.



## WARNING



Fuel and its vapors are extremely flammable and explosive.  
Fire or explosion can cause severe burns or death.

### When Adding Fuel

- Turn engine off and let engine cool at least 2 minutes before removing the fuel cap.
- Fill fuel tank outdoors or in well-ventilated area.
- Do not overfill fuel tank. To allow for expansion of the fuel, do not fill above the bottom of the fuel tank neck.
- Keep fuel away from sparks, open flames, pilot lights, heat, and other ignition sources.
- Check fuel lines, tank, cap, and fittings frequently for cracks or leaks. Replace if necessary
- If fuel spills, wait until it evaporates before starting engine.

### When Starting Engine

- Ensure that spark plug, muffler, fuel cap and air cleaner (if equipped) are in place and secured.
- Do not crank engine with spark plug removed.
- If engine floods, set choke (if equipped) to OPEN/RUN position, move throttle (if equipped) to FAST position and crank until engine starts.

### When Operating Equipment

- Do not tip engine or equipment at angle which causes fuel to spill.
- Do not choke the carburetor to stop engine.
- Never start or run the engine with the air cleaner assembly (if equipped) or the air filter (if equipped) removed.

### When Changing Oil

- When you drain the oil from the top oil fill tube, the fuel tank must be empty or fuel can leak out and result in a fire or explosion.

### When Tipping Unit for Maintenance

- When performing maintenance that requires the unit to be tipped, the fuel tank must be empty or fuel can leak out and result in a fire or explosion.

### When Transporting Equipment

- Transport with fuel tank EMPTY or with fuel shut-off valve OFF.

### When Storing Fuel Or Equipment With Fuel In Tank

- Store away from furnaces, stoves, water heaters or other appliances that have pilot lights or other ignition sources because they can ignite fuel vapors.



## WARNING



Rapid retraction of starter cord (kickback) will pull hand and arm toward engine faster than you can let go.

Broken bones, fractures, bruises or sprains could result.

- When starting engine, pull the starter cord slowly until resistance is felt and then pull rapidly to avoid kickback.
- Remove all external equipment/engine loads before starting engine.
- Direct-coupled equipment components such as, but not limited to, blades, impellers, pulleys, sprockets, etc., must be securely attached.



## WARNING



Rotating parts can contact or entangle hands, feet, hair, clothing, or accessories.

Traumatic amputation or severe laceration can result.

- Operate equipment with guards in place.
- Keep hands and feet away from rotating parts.
- Tie up long hair and remove jewelry.
- Do not wear loose-fitting clothing, dangling drawstrings or items that could become caught.



## WARNING



Running engines produce heat. Engine parts, especially muffler, become extremely hot.

Severe thermal burns can occur on contact.



Combustible debris, such as leaves, grass, brush, etc. can catch fire.

- Allow muffler, engine cylinder and fins to cool before touching.
- Remove accumulated debris from muffler area and cylinder area.
- It is a violation of California Public Resource Code, Section 4442, to use or operate the engine on any forest-covered, brush-covered, or grass-covered land unless the exhaust system is equipped with a spark arrester, as defined in Section 4442, maintained in effective working order. Other states or federal jurisdictions may have similar laws. Contact the original equipment manufacturer, retailer, or dealer to obtain a spark arrester designed for the exhaust system installed on this engine.



## WARNING



Starting engine creates sparking.  
Sparking can ignite nearby flammable gases.  
Explosion and fire could result.

- If there is natural or LP gas leakage in area, do not start engine.
- Do not use pressurized starting fluids because vapors are flammable.



## WARNING



**POISONOUS GAS HAZARD.** Engine exhaust contains carbon monoxide, a poisonous gas that could kill you in minutes. You CANNOT see it, smell it, or taste it. Even if you do not smell exhaust fumes, you could still be exposed to carbon monoxide gas. If you start to feel sick, dizzy, or weak while using this product, shut it off and get to fresh air RIGHT AWAY. See a doctor. You may have carbon monoxide poisoning.

- Operate this product ONLY outside far away from windows, doors and vents to reduce the risk of carbon monoxide gas from accumulating and potentially being drawn towards occupied spaces.
- Install battery-operated carbon monoxide alarms or plug-in carbon monoxide alarms with battery back-up according to the manufacturer's instructions. Smoke alarms cannot detect carbon monoxide gas.
- DO NOT run this product inside homes, garages, basements, crawlspaces, sheds, or other partially-enclosed spaces even if using fans or opening doors and windows for ventilation. Carbon monoxide can quickly build up in these spaces and can linger for hours, even after this product has shut off.
- ALWAYS place this product downwind and point the engine exhaust away from occupied spaces.



## WARNING



Unintentional sparking can result in fire or electric shock.

Unintentional start-up can result in entanglement, traumatic amputation, or laceration.

Fire hazard



### Before performing adjustments or repairs:

- Disconnect the spark plug wire and keep it away from the spark plug.
- Disconnect battery at negative terminal (only engines with electric start.)
- Use only correct tools.
- Do not tamper with governor spring, links or other parts to increase engine speed.
- Replacement parts must be of the same design and installed in the same position as the original parts. Other parts may not perform as well, may damage the unit, and may result in injury.
- Do not strike the flywheel with a hammer or hard object because the flywheel may later shatter during operation.

### When testing for spark:

- Use approved spark plug tester.
- Do not check for spark with spark plug removed.

# Features and Controls

Compare the illustration **1** with your engine to familiarize yourself with the location of various features and controls.

- A. Engine Identification  
**Model Type Code**
- B. Spark Plug
- C. Choke
- D. Primer
- E. Fuel Shut-off Valve
- F. Starter Cord Handle
- G. Finger Guard
- H. Fuel Tank and Cap
- I. Dipstick/Oil Fill
- J. Oil Drain Plug
- K. Muffler  
Muffler Guard (optional)  
Muffler Deflector
- L. Safety Key (optional) \*
- M. Push Button Electric Start
- N. Snow Hood
- O. Power Cord Receptacle - 120 Volt
- P. Power Cord Receptacle - 230 Volt
- Q. Electric Starter
- R. Throttle Control (optional) \*
- S. Key (optional) \*

\* Some engines and equipment have remote controls. See the equipment manual for location and operation of remote controls.

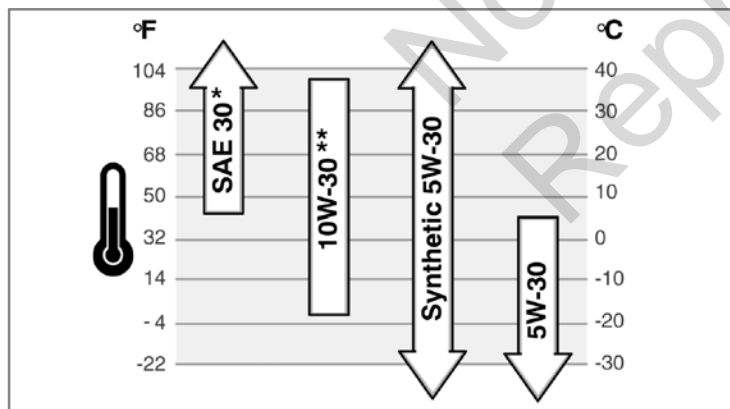
## Operation

Oil capacity (see the **Specifications** section)

### Oil Recommendations

We recommend the use of Briggs & Stratton Warranty Certified oils for best performance. Other high-quality detergent oils are acceptable if classified for service SF, SG, SH, SJ or higher. Do not use special additives.

Outdoor temperatures determine the proper oil viscosity for the engine. Use the chart to select the best viscosity for the outdoor temperature range expected.



\* Below 40°F (4°C) the use of SAE 30 will result in hard starting.

\*\* Above 80°F (27°C) the use of 10W-30 may cause increased oil consumption. Check oil level more frequently.

### How To Check/Add Oil - Figure 2

Before adding or checking the oil

- Place engine level.
  - Clean the oil fill area of any debris.
1. Remove the dipstick (C) and wipe with a clean cloth.
  2. Insert and tighten the dipstick.
  3. Remove the dipstick and check the oil level. It should be at the top of the full indicator (D) on the dipstick.

4. To add oil, pour the oil slowly into the engine oil fill (B). **Do not overfill.** After adding oil, wait one minute and then recheck the oil level.
5. Replace and tighten the dipstick.

### Low Oil Protection System (if equipped)

Some engines are equipped with a low oil sensor. If the oil is low, the sensor will either activate a warning light or stop the engine. Stop the engine and follow these steps before restarting the engine.

- Make sure the engine is level.
- Check the oil level. See the **How To Check/Add Oil** section.
- If the oil level is low, add the proper amount of oil. Start the engine and make sure the warning light (if equipped) is not activated.
- If the oil level is not low, **do not start** the engine. Contact an Authorized Briggs & Stratton Dealer to have the the oil problem corrected.

### Fuel Recommendations

Fuel must meet these requirements:

- Clean, fresh, unleaded gasoline.
- A minimum of 87 octane/87 AKI (91 RON). High altitude use, see below.
- Gasoline with up to 10% ethanol (gasohol) is acceptable.

**CAUTION:** Do not use unapproved gasolines, such as E15 and E85. Do not mix oil in gasoline or modify the engine to run on alternate fuels. Use of unapproved fuels will cause damage to engine components, which will not be covered under warranty. To protect the fuel system from gum formation, mix a fuel stabilizer into the fuel. See **Storage**. All fuel is not the same. If starting or performance problems occur, change fuel providers or change brands. This engine is certified to operate on gasoline. The emissions control system for this engine is EM (Engine Modifications).

### High Altitude

At altitudes over 5,000 feet (1524 meters), a minimum 85 octane/85 AKI (89 RON) gasoline is acceptable. To remain emissions compliant, high altitude adjustment is required. Operation without this adjustment will cause decreased performance, increased fuel consumption, and increased emissions. See an authorized Briggs & Stratton Dealer for high altitude adjustment information.

Operation of the engine at altitudes below 2,500 feet (762 meters) with high altitude adjustment is not recommended.

### How To Add Fuel - Figure 3



#### WARNING

Fuel and its vapors are extremely flammable and explosive. Fire or explosion can cause severe burns or death.

#### When Adding Fuel

- Turn engine off and let engine cool at least 2 minutes before removing the fuel cap.
- Fill fuel tank outdoors or in well-ventilated area.
- Do not overfill fuel tank. To allow for expansion of the fuel, do not fill above the bottom of the fuel tank neck.
- Keep fuel away from sparks, open flames, pilot lights, heat, and other ignition sources.
- Check fuel lines, tank, cap, and fittings frequently for cracks or leaks. Replace if necessary
- If fuel spills, wait until it evaporates before starting engine.

1. Clean the fuel cap area of dirt and debris. Remove the fuel cap (A) (Figure 3).
2. Fill the fuel tank (B) with fuel. To allow for expansion of the fuel, do not fill above the bottom of the fuel tank neck (C).
3. Reinstall the fuel cap.

### How To Start The Engine - Figure 4 5



#### WARNING

Rapid retraction of starter cord (kickback) will pull hand and arm toward engine faster than you can let go. Broken bones, fractures, bruises or sprains could result.

- When starting engine, pull the starter cord slowly until resistance is felt and then pull rapidly to avoid kickback.
- Remove all external equipment/engine loads before starting engine.
- Direct-coupled equipment components such as, but not limited to, blades, impellers, pulleys, sprockets, etc., must be securely attached.



## WARNING



Fuel and its vapors are extremely flammable and explosive.  
Fire or explosion can cause severe burns or death.

### When Starting Engine

- Ensure that spark plug, muffler, fuel cap and air cleaner (if equipped) are in place and secured.
- Do not crank engine with spark plug removed.
- If engine floods, set choke (if equipped) to OPEN/RUN position, move throttle (if equipped) to FAST position and crank until engine starts.



## WARNING



**POISONOUS GAS HAZARD.** Engine exhaust contains carbon monoxide, a poisonous gas that could kill you in minutes. You CANNOT see it, smell it, or taste it. Even if you do not smell exhaust fumes, you could still be exposed to carbon monoxide gas. If you start to feel sick, dizzy, or weak while using this product, shut it off and get to fresh air RIGHT AWAY. See a doctor. You may have carbon monoxide poisoning.

- Operate this product ONLY outside far away from windows, doors and vents to reduce the risk of carbon monoxide gas from accumulating and potentially being drawn towards occupied spaces.
- Install battery-operated carbon monoxide alarms or plug-in carbon monoxide alarms with battery back-up according to the manufacturer's instructions. Smoke alarms cannot detect carbon monoxide gas.
- DO NOT run this product inside homes, garages, basements, crawlspaces, sheds, or other partially-enclosed spaces even if using fans or opening doors and windows for ventilation. Carbon monoxide can quickly build up in these spaces and can linger for hours, even after this product has shut off.
- ALWAYS place this product downwind and point the engine exhaust away from occupied spaces.



## WARNING



Unintentional sparking can result in fire or electric shock.  
Unintentional start-up can result in entanglement, traumatic amputation, or laceration.  
Fire hazard

- Use a 3-wire extension cord.
- First attach extension cord to electric starter connector and then into a wall receptacle. If additional extension cord is required, use a 3-wire.
- If the supply cord is damaged, it must be replaced by the manufacturer or its service agent or a similarly qualified person in order to avoid a hazard.

**NOTICE:** This engine was shipped from Briggs & Stratton without oil. Before you start the engine, make sure you add oil according to the instructions in this manual. If you start the engine without oil, it will be damaged beyond repair and will not be covered under warranty.

**Note:** Some engines and equipment have remote controls. See the equipment manual for location and operation of remote controls.

1. Check the oil level. See the **How To Check/Add Oil** section.
2. Make sure equipment drive controls, if equipped, are disengaged.
3. Move the throttle control lever (B), if equipped, to the fast position (Figure 4). Operate the engine with the throttle control lever in the fast position.
4. Turn the fuel shut-off valve (A), if equipped, to the on position (Figure 4).
5. Insert the key (C), if equipped, and turn to the on/start position  
or  
Push in the safety key (D), if equipped.
6. Turn the choke control knob (J) to the choke position.  
**Note:** Choke is usually unnecessary when restarting a warm engine.
7. Push the primer (F) two times. See Figure 4.

en

**Note:** Priming is usually unnecessary when restarting a warm engine.

8. **Rewind Start:** Firmly hold the starter cord handle (G, Figure 4). Pull the starter cord handle slowly until resistance is felt, then pull rapidly.

**Note:** If the engine does not start after repeated attempts, go to **BRIGGSandSTRATTON.COM** or call **1-800-233-3723** (in USA).



**WARNING:** Rapid retraction of the starter cord (kickback) will pull your hand and arm toward the engine faster than you can let go. Broken bones, fractures, bruises or sprains could result. When starting engine, pull the starter cord slowly until resistance is felt and then pull rapidly to avoid kickback.

9. **Electric Start:** First connect the extension cord to the power cord receptacle (H, 120 Volt) or (K, 230 Volt) and then into a wall receptacle. See Figure 5. If an additional extension cord is required, make sure to use a 3-wire grounded extension cord.



**WARNING:** If the extension cord is damaged, it must be replaced by the manufacturer or its service agent or a similarly qualified person in order to avoid a hazard.

10. **Electric Start:** Depress the push button (I). After you start the engine, first disconnect the extension cord from the wall receptacle and then from the power cord receptacle (H, K).

**Note:** If the engine does not start after repeated attempts, go to **BRIGGSandSTRATTON.COM** or call **1-800-233-3723** (in USA).

**NOTICE:** To extend the life of the starter, use short starting cycles (five seconds maximum). Wait one minute between starting cycles.

11. Allow the engine to warm up for several minutes. Then, slowly move the choke control knob to the run position.

## How To Stop The Engine - Figure 6



## WARNING



Fuel and its vapors are extremely flammable and explosive.  
Fire or explosion can cause severe burns or death.

- Do not choke the carburetor to stop engine.

1. Turn the key (C), if equipped, to the off position (Figure 6).  
or  
Remove the safety key (D), if equipped.  
or  
Move the throttle control lever (B), if equipped, to slow and then to the stop position.
2. Remove the key (C, D). Keep the key out of reach of children.
3. After the engine stops, turn the fuel shut-off valve (A) to the closed position.

## Maintenance

We recommend that you see any Briggs & Stratton Authorized Dealer for all maintenance and service of the engine and engine parts.

**NOTICE:** All the components used to build this engine must remain in place for proper operation.



**WARNING:** When performing maintenance that requires the unit to be tipped, the fuel tank must be empty or fuel can leak out and result in a fire or explosion.

## Emissions Control

**Maintenance, replacement, or repair of the emissions control devices and systems may be performed by any non-road engine repair establishment or individual.** However, to obtain "no charge" emissions control service, the work must be performed by a factory authorized dealer. See the Emissions Warranty.



## WARNING

Unintentional sparking can result in fire or electric shock.  
Unintentional start-up can result in entanglement, traumatic amputation, or laceration.  
Fire hazard

### Before performing adjustments or repairs:

- Disconnect the spark plug wire and keep it away from the spark plug.
- Use only correct tools.
- Do not tamper with governor spring, links or other parts to increase engine speed.
- Replacement parts must be of the same design and installed in the same position as the original parts. Other parts may not perform as well, may damage the unit, and may result in injury.
- Do not strike the flywheel with a hammer or hard object because the flywheel may later shatter during operation.

### When testing for spark:

- Use approved spark plug tester.
- Do not check for spark with spark plug removed.

## Maintenance Chart

First 5 Hours
<ul style="list-style-type: none"> <li>• Change oil</li> </ul>
Every 8 Hours or Daily
<ul style="list-style-type: none"> <li>• Check engine oil level</li> </ul>
Every 50 Hours or Annually
<ul style="list-style-type: none"> <li>• Change engine oil</li> <li>• Check muffler and muffler guard</li> </ul>
Annually
<ul style="list-style-type: none"> <li>• Replace spark plug</li> <li>• Check valve clearance *</li> </ul>

\* Not required unless engine performance problems are noted.

## Carburetor And Engine Speed Adjustment

Never make adjustments to the carburetor or engine speed. The carburetor was set at the factory to operate efficiently under most conditions. Do not tamper with the governor spring, linkages, or other parts to change the engine speed. If any adjustments are required contact a Briggs & Stratton Authorized Service Center for service.

**NOTICE:** The equipment manufacturer specifies the maximum speed for the engine as installed on the equipment. **Do not exceed** this speed. If you are unsure what the equipment maximum speed is, or what the engine speed is set to from the factory, contact a Briggs & Stratton Authorized Service Center for assistance. For safe and proper operation of the equipment, the engine speed should be adjusted only by a qualified service technician.

## How To Replace The Spark Plug - Figure 7

Check the gap (A, Figure 7) with a wire gauge (B). If necessary, reset the gap. Install and tighten the spark plug to the recommended torque. For gap setting or torque, see the **Specifications** section.

*Note:* In some areas, local law requires using a resistor spark plug to suppress ignition signals. If this engine was originally equipped with a resistor spark plug, use the same type for replacement.

## How To Access The Spark Plug - Figure 8 9

To access the spark plug, the snow hood must be removed as follows:

1. Remove the key (A, B Figure 8). Keep the key out of reach of children.
2. Grasp the choke control knob (J) and pull up to remove.

3. Remove the mounting screws (C).
4. Carefully remove the top part of the snow hood (D, Figure 9). Do not disconnect the primer hose (E), if equipped, or the key switch wire (F).
5. The spark plug (G) can now be accessed.
6. Before installation of the snow hood, make sure that the primer hose, if equipped, and the key switch wire are connected.
7. Mount the top part of the snow hood to the snow hood base (H). Make sure the top interlocks with the base. Secure with the mounting screws.
8. Align the slots in the choke control knob with the tabs on the choke shaft (I) and then push down to install. If the knob is not installed correctly, the choke will not operate.
9. Do not install the key until you are ready to start the engine.

## Inspect Muffler And Spark Arrester - Figure 10



### WARNING



Running engines produce heat. Engine parts, especially muffler, become extremely hot.

Severe thermal burns can occur on contact.

Combustible debris, such as leaves, grass, brush, etc. can catch fire.

- Allow muffler, engine cylinder and fins to cool before touching.
- Remove accumulated debris from muffler area and cylinder area.
- It is a violation of California Public Resource Code, Section 4442, to use or operate the engine on any forest-covered, brush-covered, or grass-covered land unless the exhaust system is equipped with a spark arrester, as defined in Section 4442, maintained in effective working order. Other states or federal jurisdictions may have similar laws. Contact the original equipment manufacturer, retailer, or dealer to obtain a spark arrester designed for the exhaust system installed on this engine.

Remove accumulated debris from muffler area and cylinder area. Inspect the muffler (A, Figure 10) for cracks, corrosion, or other damage. Remove the spark arrester (B), if equipped, and inspect for damage or carbon blockage. If damage is found, install replacement parts before operating.



**WARNING:** Replacement parts must be of the same design and installed in the same position as the original parts. Other parts may not perform as well, may damage the unit, and may result in injury.

## Air Filter

This engine is **not equipped** with an air filter. **DO NOT use this engine for anything other than snow removal.**

## How To Change The Oil - Figure 2 11

Used oil is a hazardous waste product and must be disposed of properly. Do not discard with household waste. Check with your local authorities, service center, or dealer for safe disposal/recycling facilities.

## Remove Oil

1. With engine off but still warm, disconnect the spark plug wire (A) and keep it away from the spark plug (Figure 11).

*Note:* To access the spark plug wire, you must first remove the snow hood from the engine. See **How To Access The Spark Plug**.

2. Remove the oil drain cap (E, Figure 2). Drain the oil into an approved receptacle.
3. After the oil has drained, install and tighten the oil drain cap.

## Add oil

- Place engine level.
  - Clean the oil fill area of any debris.
  - See the **Specifications** section for oil capacity.
1. Remove the dipstick (C, Figure 2) and wipe with a clean cloth.
  2. Pour the oil slowly into the engine oil fill (B). **Do not overfill.** After adding oil, wait one minute and then recheck the oil level.
  3. Install and tighten the dipstick.
  4. Remove the dipstick and check the oil level. It should be at the top of the full indicator (D) on the dipstick.
  5. Install and tighten the dipstick.



## Storage



### WARNING

Fuel and its vapors are extremely flammable and explosive. Fire or explosion can cause severe burns or death.

#### When Storing Fuel Or Equipment With Fuel In Tank

- Store away from furnaces, stoves, water heaters or other appliances that have pilot lights or other ignition sources because they can ignite fuel vapors.

## Fuel System

Fuel can become stale when stored over 30 days. Stale fuel causes acid and gum deposits to form in the fuel system or on essential carburetor parts. To keep fuel fresh,

use **Briggs & Stratton Advanced Formula Fuel Treatment & Stabilizer**, available wherever Briggs & Stratton genuine service parts are sold.

For engines equipped with a FRESH START® fuel cap, use **Briggs & Stratton FRESH START®** available in a drip concentrate cartridge.

There is no need to drain gasoline from the engine if a fuel stabilizer is added according to instructions. Run the engine for 2 minutes to circulate the stabilizer throughout the fuel system before storage.

If gasoline in the engine has not been treated with a fuel stabilizer, it must be drained into an approved container. Run the engine until it stops from lack of fuel. The use of a fuel stabilizer in the storage container is recommended to maintain freshness.

## Engine Oil

While the engine is still warm, change the engine oil.

## Troubleshooting

Need Assistance? Go to **BRIGGSandSTRATTON.COM** or call **1-800-233-3723** (in USA).

# Specifications

### Engine Specifications

Model	120000
Displacement	12.48 ci (205 cc)
Bore	2.688 in (68.28 mm)
Stroke	2.200 in (55.88 mm)
Oil Capacity	18 - 20 oz (0.54 - 0.59 L)

### Engine Specifications

Model	150000
Displacement	15.24 ci (250 cc)
Bore	2.970 in (75.44 mm)
Stroke	2.200 in (55.88 mm)
Oil Capacity	18 - 20 oz (0.54 - 0.59 L)

### Engine Specifications

Model	200000
Displacement	18.63 ci (305 cc)
Bore	3.120 in (79.24 mm)
Stroke	2.438 in (61.93 mm)
Oil Capacity	26 - 28 oz (0.77 - 0.83 L)

### Engine Specifications

Model	210000
Displacement	20.85 ci (342 cc)
Bore	3.300 in (83.81 mm)
Stroke	2.438 in (61.93 mm)
Oil Capacity	26 - 28 oz (0.77 - 0.83 L)

### Tune-up Specifications \*

Model	120000, 150000
Spark Plug Gap	0.030 in (0.76 mm)
Spark Plug Torque	180 lb-in (20 Nm)
Armature Air Gap	0.010 - 0.014 in (0.25 - 0.36 mm)
Intake Valve Clearance	0.004 - 0.006 in (0.10 - 0.15 mm)
Exhaust Valve Clearance	0.009 - 0.011 in (0.23 - 0.28 mm)

### Tune-up Specifications \*

Model	200000, 210000
Spark Plug Gap	0.030 in (0.76 mm)
Spark Plug Torque	180 lb-in (20 Nm)
Armature Air Gap	0.010 - 0.014 in (0.25 - 0.36 mm)
Intake Valve Clearance	0.004 - 0.006 in (0.10 - 0.15 mm)
Exhaust Valve Clearance	0.004 - 0.006 in (0.10 - 0.15 mm)

\* Engine power will decrease 3.5% for each 1,000 feet (300 meters) above sea level and 1% for each 10° F (5.6° C) above 77° F (25° C). The engine will operate satisfactorily at an angle up to 15°. Refer to the equipment operator's manual for safe allowable operating limits on slopes.

### Common Service Parts ✓

Service Part	Part Number
Fuel Additive	5041, 5058
Resistor Spark Plug (Models 120000, 150000, 200000, 210000)	491055
Long Life Platinum Spark Plug (Models 120000, 150000)	696202, 5066
Long Life Platinum Spark Plug (Models 200000, 210000)	793541

Service Part	Part Number
Spark Plug Wrench	89838, 5023
Spark Tester	19368

✓ We recommend that you see any Briggs & Stratton Authorized Dealer for all maintenance and service of the engine and engine parts.

**LIMITED WARRANTY**

Briggs & Stratton warrants that, during the warranty period specified below, it will repair or replace, free of charge, any part that is defective in material or workmanship or both. Transportation charges on product submitted for repair or replacement under this warranty must be borne by purchaser. This warranty is effective for and is subject to the time periods and conditions stated below. For warranty service, find the nearest Authorized Service Dealer in our dealer locator map at BRIGGSandSTRATTON.COM. The purchaser must contact the Authorized Service Dealer, and then make the product available to the Authorized Service Dealer for inspection and testing.

**There is no other express warranty. Implied warranties, including those of merchantability and fitness for a particular purpose, are limited to the warranty period listed below, or to the extent permitted by law. Liability for incidental or consequential damages are excluded to the extent exclusion is permitted by law.** Some states or countries do not allow limitations on how long an implied warranty lasts, and some states or countries do not allow the exclusion or limitation of incidental or consequential damages, so the above limitation and exclusion may not apply to you. This warranty gives you specific legal rights and you may also have other rights which vary from state to state and country to country. \*\*

**STANDARD WARRANTY TERMS \* ▲**

Brand/Product Type	Consumer Use	Commercial Use
Vanguard™ ■	3 years	3 years
Commercial Turf Series™	2 years	2 years
Engines Featuring Dura-Bore™ Cast Iron Sleeve	2 years	1 year
All Other Briggs & Stratton Engines	2 years	90 days

\* These are our standard warranty terms, but occasionally there may be additional warranty coverage that was not determined at time of publication. For a listing of current warranty terms for your engine, go to BRIGGSandSTRATTON.COM or contact your Briggs & Stratton Authorized Service Dealer.

\*\* In Australia - Our goods come with guarantees that cannot be excluded under the Australian Consumer Law. You are entitled to a replacement or refund for a major failure and for compensation for any other reasonably foreseeable loss or damage. You are also entitled to have the goods repaired or replaced if the goods fail to be of acceptable quality and the failure does not amount to a major failure. For warranty service, find the nearest Authorized Service Dealer in our dealer locator map at BRIGGSandSTRATTON.COM, or by calling 1300 274 447, or by emailing or writing to salesenquiries@briggsandstratton.com.au, Briggs & Stratton Australia Pty Ltd, 1 Moorebank Avenue, Moorebank, NSW, Australia, 2170.

▲ There is no warranty for engines on equipment used for prime power in place of a utility or for standby generators used for commercial purposes. Engines used in competitive racing or on commercial or rental tracks are not warranted.

■ Vanguard installed on standby generators: 2 years consumer use, no warranty commercial use. Vanguard installed on utility vehicles: 2 years consumer use, 2 years commercial use. Vanguard 3-cylinder liquid cooled: see Briggs & Stratton 3/LC Engine Warranty Policy.

The warranty period begins on the date of purchase by the first retail or commercial consumer. "Consumer use" means personal residential household use by a retail consumer. "Commercial use" means all other uses, including use for commercial, income producing or rental purposes. Once an engine has experienced commercial use, it shall thereafter be considered as a commercial use engine for purposes of this warranty.

**Save your proof of purchase receipt. If you do not provide proof of the initial purchase date at the time warranty service is requested, the manufacturing date of the product will be used to determine the warranty period. Product registration is not required to obtain warranty service on Briggs & Stratton products.**

**About Your Warranty**

This limited warranty covers engine-related material and/or workmanship issues only, and not replacement or refund of the equipment to which the engine may be mounted. Routine maintenance, tune-ups, adjustments, or normal wear and tear are not covered under this warranty. Similarly, warranty is not applicable if the engine has been altered or modified or if the engine serial number has been defaced or removed. This warranty does not include used, reconditioned, second-hand, or demonstration equipment or engines. This warranty does not cover engine damage or performance problems caused by:

- 1 The use of parts that are not original Briggs & Stratton parts;
- 2 Operating the engine with insufficient, contaminated, or an incorrect grade of lubricating oil;
- 3 The use of contaminated or stale fuel, gasoline formulated with ethanol greater than 10%, or the use of alternative fuels such as liquefied petroleum or natural gas on engines not originally designed/manufactured by Briggs & Stratton to operate on such fuels;
- 4 Dirt which entered the engine because of improper air cleaner maintenance or re-assembly;

- 5 Striking an object with the cutter blade of a rotary lawn mower, loose or improperly installed blade adapters, impellers, or other crankshaft coupled devices, or excessive v-belt tightness;
- 6 Associated parts or assemblies such as clutches, transmissions, equipment controls, etc., which are not supplied by Briggs & Stratton;
- 7 Overheating due to grass clippings, dirt and debris, or rodent nests which plug or clog the cooling fins or flywheel area, or by operating the engine without sufficient ventilation;
- 8 Excessive vibration due to over-speeding, loose engine mounting, loose or unbalanced cutter blades or impellers, or improper coupling of equipment components to the crankshaft;
- 9 Misuse, lack of routine maintenance, shipping, handling, or warehousing of equipment, or improper engine installation.

**Warranty service is available only through Briggs & Stratton Authorized Service Dealers. Locate your nearest Authorized Service Dealer in our dealer locator map at BRIGGSandSTRATTON.COM or by calling 1-800-233-3723 (in USA).**

**California, U.S. EPA, and Briggs & Stratton Corporation Emissions Control Warranty Statement**  
**Your Warranty Rights And Obligations**  
**For Briggs & Stratton Engine Models with "F" Trim Designation**  
**(Model-Type-Trim Representation xxxxxx xxxx Fx)**

January 2014

The California Air Resources Board, U.S. EPA, and Briggs & Stratton (B&S) are pleased to explain the emissions control system warranty on your Model Year 2014-2015 engine/equipment. In California, new small off-road engines and large spark ignited engines less than or equal to 1.0 liter must be designed, built, and equipped to meet the State's stringent anti-smog standards. B&S must warrant the emissions control system on your engine/equipment for the periods of time listed below provided there has been no abuse, neglect, or improper maintenance of your engine/equipment.

Your exhaust emissions control system may include parts such as the carburetor or fuel injection system, ignition system, and catalytic converter. Also included may be hoses, belts, connectors, sensors, and other emissions-related assemblies. Your evaporative emission control system may include parts such as: carburetors, fuel tanks, fuel lines, fuel caps, valves, canisters, filters, vapor hoses, clamps, connectors, and other associated components.

Where a warrantable condition exists, B&S will repair your engine/equipment at no cost to you including diagnosis, parts, and labor.

**Manufacturer's Warranty Coverage:**

Small off-road engines and large spark ignited engines less than or equal to 1.0 liter, and any related emissions components of the equipment, are warranted for two years\*. If any

emissions-related part on your B&S engine/equipment is defective, the part will be repaired or replaced by B&S.

\* Two years or for the time period listed in the respective engine or product warranty statement, whichever is greater.

**Owner's Warranty Responsibilities:**

- As the engine/equipment owner, you are responsible for the performance of the required maintenance listed in your Operator's Manual. B&S recommends that you retain all receipts covering maintenance on your engine/equipment, but B&S cannot deny warranty solely for the lack of receipts or your failure to ensure the performance of all scheduled maintenance.
- As the engine/equipment owner, you should however be aware that B&S may deny you warranty coverage if your engine/equipment or a part has failed due to abuse, neglect, improper maintenance, or unapproved modifications.
- You are responsible for presenting your engine/equipment to a B&S distribution center, servicing dealer, or other equivalent entity, as applicable, as soon as a problem exists. The warranty repairs should be completed in a reasonable amount of time, not to exceed 30 days. If you have any questions regarding your warranty rights and responsibilities, you should contact B&S at 1-800-444-7774 (in USA) or BRIGGSandSTRATTON.COM.

**Briggs & Stratton Emissions Control Warranty Provisions**

The following are specific provisions relative to your Emissions Control Warranty Coverage. It is in addition to the B&S engine warranty for non-regulated engines found in the Operator's Manual.

**1. Warranted Emissions Parts**

Coverage under this warranty extends only to the parts listed below (the emissions control systems parts) to the extent these parts were present on the B&S engine and/or B&S supplied fuel system.

- a. Fuel Metering System
  - Cold start enrichment system (soft choke)
  - Carburetor and internal parts
  - Fuel pump
  - Fuel line, fuel line fittings, clamps
  - Fuel tank, cap and tether
  - Carbon canister
- b. Air Induction System
  - Air cleaner
  - Intake manifold
  - Purge and vent line
- c. Ignition System
  - Spark plug(s)
  - Magneto ignition system
- d. Catalyst System
  - Catalytic converter
  - Exhaust manifold
  - Air injection system or pulse valve
- e. Miscellaneous Items Used in Above Systems
  - Vacuum, temperature, position, time sensitive valves and switches
  - Connectors and assemblies

**2. Length of Coverage**

For a period of two years from date of original purchase\*, B&S warrants to the original purchaser and each subsequent purchaser that the engine is designed, built, and equipped so as to conform with all applicable regulations adopted by the Air Resources Board; that it is free from defects in material and workmanship that could cause the failure of a warranted part; and that it is identical in all material respects to

the engine described in the manufacturer's application for certification. The warranty period begins on the date the engine is originally purchased.

\* Two years or for the time period listed in the respective engine or product warranty statement, whichever is greater.

The warranty on emissions-related parts is as follows:

- Any warranted part that is not scheduled for replacement as required maintenance in the Operator's Manual supplied, is warranted for the warranty period stated above. If any such part fails during the period of warranty coverage, the part will be repaired or replaced by B&S at no charge to the owner. Any such part repaired or replaced under the warranty will be warranted for the remaining warranty period.
- Any warranted part that is scheduled only for regular inspection in the Operator's Manual supplied, is warranted for the warranty period stated above. Any such part repaired or replaced under warranty will be warranted for the remaining warranty period.
- Any warranted part that is scheduled for replacement as required maintenance in the Operator's Manual supplied, is warranted for the period of time prior to the first scheduled replacement point for that part. If the part fails prior to the first scheduled replacement, the part will be repaired or replaced by B&S at no charge to the owner. Any such part repaired or replaced under warranty will be warranted for the remainder of the period prior to the first scheduled replacement point for the part.
- Add-on or modified parts that are not exempted by the Air Resources Board may not be used. The use of any non-exempted add-on or modified parts by the owner will be grounds for disallowing a warranty claim. The manufacturer will not be liable to warrant failures of warranted parts caused by the use of a non-exempted add-on or modified part.

**3. Consequential Coverage**

Coverage shall extend to the failure of any engine components caused by the failure of any warranted emissions parts.

**4. Claims and Coverage Exclusions**

Warranty claims shall be filed according to the provisions of the B&S engine warranty policy. Warranty coverage does not apply to failures of emissions parts that are not original equipment B&S parts or to parts that fail due to abuse, neglect, or improper maintenance as set forth in the B&S engine warranty policy. B&S is not liable for warranty coverage of failures of emissions parts caused by the use of add-on or modified parts.

**Look For Relevant Emissions Durability Period and Air Index Information**  
**On Your Small Off-Road Engine Emissions Label**

Engines that are certified to meet the California Air Resources Board (CARB) small off-road Emissions Standard must display information regarding the Emissions Durability Period and the Air Index. Briggs & Stratton makes this information available to the consumer on our emissions labels. The engine emissions label will indicate certification information.

The **Emissions Durability Period** describes the number of hours of actual running time for which the engine is certified to be emissions compliant, assuming proper maintenance in accordance with the Operator's Manual. The following categories are used:

**Moderate:**

Engines at or less than 80 cc displacement are certified to be emissions compliant for 50 hours of actual engine running time. Engines greater than 80 cc displacement are certified to be emissions compliant for 125 hours of actual engine running time.

**Intermediate:**

Engines at or less than 80 cc displacement are certified to be emissions compliant for 125 hours of actual engine running time. Engines greater than 80 cc displacement are certified to be emissions compliant for 250 hours of actual engine running time.

**Extended:**

Engines at or less than 80 cc displacement are certified to be emissions compliant for 300 hours of actual engine running time. Engines greater than 80 cc displacement are certified to be emissions compliant for 500 hours of actual engine running time.

For example, a typical walk-behind lawn mower is used 20 to 25 hours per year. Therefore, the **Emissions Durability Period** of an engine with an **intermediate** rating would equate to 10 to 12 years.

Briggs & Stratton engines are certified to meet the United States Environmental Protection Agency (USEPA) Phase 2 or Phase 3 emissions standards. The Emissions Compliance Period referred to on the Emissions Compliance label indicates the number of operating hours for which the engine has been shown to meet Federal emissions requirements.

For engines at or less than 80 cc displacement:

Category C = 50 hours, Category B = 125 hours, Category A = 300 hours

For engines greater than 80 cc displacement and less than 225 cc displacement:

Category C = 125 hours, Category B = 250 hours, Category A = 500 hours

For engines of 225 cc or more displacement:

Category C = 250 hours, Category B = 500 hours, Category A = 1000 hours

California, U.S. EPA, and Briggs & Stratton Corporation Emissions Control Warranty Statement  
Your Warranty Rights And Obligations  
For Briggs & Stratton Engine Models with "B" or "G" Trim Designation  
(Model-Type-Trim Representation xxxxxx xxxx Bx or xxxxxx xxxx Gx)

January 2014

The California Air Resources Board, U.S. EPA, and Briggs & Stratton (B&S) are pleased to explain the emissions control system warranty on your Model Year 2014-2015 engine. In California, new small off-road engines and large spark ignited engines less than or equal to 1.0 liter must be designed, built, and equipped to meet the State's stringent anti-smog standards. B&S must warrant the emissions control system on your engine for the periods of time listed below provided there has been no abuse, neglect, or improper maintenance of your engine.

Your exhaust emissions control system may include parts such as the carburetor or fuel injection system, ignition system, and catalytic converter. Also included may be hoses, belts, connectors, sensors, and other emissions-related assemblies.

Where a warrantable condition exists, B&S will repair your engine at no cost to you including diagnosis, parts, and labor.

#### Manufacturer's Warranty Coverage:

Small off-road engines and large spark ignited engines less than or equal to 1.0 liter, are warranted for two years\*. If any emissions-related part on your B&S engine is defective, the part will be repaired or replaced by B&S.

\* Two years or for the time period listed in the respective engine or product warranty statement, whichever is greater.

#### Owner's Warranty Responsibilities:

- As the engine owner, you are responsible for the performance of the required maintenance listed in your Operator's Manual. B&S recommends that you retain all receipts covering maintenance on your engine, but B&S cannot deny warranty solely for the lack of receipts or your failure to ensure the performance of all scheduled maintenance.
- As the engine owner, you should however be aware that B&S may deny you warranty coverage if your engine or a part has failed due to abuse, neglect, improper maintenance, or unapproved modifications.
- You are responsible for presenting your engine to a B&S distribution center, servicing dealer, or other equivalent entity, as applicable, as soon as a problem exists. The warranty repairs should be completed in a reasonable amount of time, not to exceed 30 days. If you have any questions regarding your warranty rights and responsibilities, you should contact B&S at 1-800-444-7774 (in USA) or BRIGGSandSTRATTON.COM.

### Briggs & Stratton Emissions Control Warranty Provisions

The following are specific provisions relative to your Emissions Control Warranty Coverage. It is in addition to the B&S engine warranty for non-regulated engines found in the Operator's Manual.

#### 1. Warranted Emissions Parts

Coverage under this warranty extends only to the parts listed below (the emissions control systems parts) to the extent these parts were present on the B&S engine.

##### a. Fuel Metering System

- Cold start enrichment system (soft choke)
- Carburetor and internal parts
- Fuel pump

##### b. Air Induction System

- Air cleaner
- Intake manifold

##### c. Ignition System

- Spark plug(s)
- Magneto ignition system

##### d. Catalyst System

- Catalytic converter
- Exhaust manifold
- Air injection system or pulse valve

##### e. Miscellaneous Items Used in Above Systems

- Vacuum, temperature, position, time sensitive valves and switches
- Connectors and assemblies

#### 2. Length of Coverage

For a period of two years from date of original purchase\*, B&S warrants to the original purchaser and each subsequent purchaser that the engine is designed, built, and equipped so as to conform with all applicable regulations adopted by the Air Resources Board; that it is free from defects in material and workmanship that could cause the failure of a warranted part; and that it is identical in all material respects to the engine described in the manufacturer's application for certification. The warranty period begins on the date the engine is originally purchased.

\* Two years or for the time period listed in the respective engine or product warranty statement, whichever is greater.

The warranty on emissions-related parts is as follows:

- Any warranted part that is not scheduled for replacement as required maintenance in the Operator's Manual supplied, is warranted for the warranty period stated above. If any such part fails during the period of warranty coverage, the part will be repaired or replaced by B&S at no charge to the owner. Any such part repaired or replaced under the warranty will be warranted for the remaining warranty period.
- Any warranted part that is scheduled only for regular inspection in the Operator's Manual supplied, is warranted for the warranty period stated above. Any such part repaired or replaced under warranty will be warranted for the remaining warranty period.
- Any warranted part that is scheduled for replacement as required maintenance in the Operator's Manual supplied, is warranted for the period of time prior to the first scheduled replacement point for that part. If the part fails prior to the first scheduled replacement, the part will be repaired or replaced by B&S at no charge to the owner. Any such part repaired or replaced under warranty will be warranted for the remainder of the period prior to the first scheduled replacement point for the part.
- Add-on or modified parts that are not exempted by the Air Resources Board may not be used. The use of any non-exempted add-on or modified parts by the owner will be grounds for disallowing a warranty claim. The manufacturer will not be liable to warrant failures of warranted parts caused by the use of a non-exempted add-on or modified part.

#### 3. Consequential Coverage

Coverage shall extend to the failure of any engine components caused by the failure of any warranted emissions parts.

#### 4. Claims and Coverage Exclusions

Warranty claims shall be filed according to the provisions of the B&S engine warranty policy. Warranty coverage does not apply to failures of emissions parts that are not original equipment B&S parts or to parts that fail due to abuse, neglect, or improper maintenance as set forth in the B&S engine warranty policy. B&S is not liable for warranty coverage of failures of emissions parts caused by the use of add-on or modified parts.

### Look For Relevant Emissions Durability Period and Air Index Information On Your Small Off-Road Engine Emissions Label

Engines that are certified to meet the California Air Resources Board (CARB) small off-road Emissions Standard must display information regarding the Emissions Durability Period and the Air Index. Briggs & Stratton makes this information available to the consumer on our emissions labels. The engine emissions label will indicate certification information.

The **Emissions Durability Period** describes the number of hours of actual running time for which the engine is certified to be emissions compliant, assuming proper maintenance in accordance with the Operator's Manual. The following categories are used:

#### Moderate:

Engines at or less than 80 cc displacement are certified to be emissions compliant for 50 hours of actual engine running time. Engines greater than 80 cc displacement are certified to be emissions compliant for 125 hours of actual engine running time.

#### Intermediate:

Engines at or less than 80 cc displacement are certified to be emissions compliant for 125 hours of actual engine running time. Engines greater than 80 cc displacement are certified to be emissions compliant for 250 hours of actual engine running time.

#### Extended:

Engines at or less than 80 cc displacement are certified to be emissions compliant for 300 hours of actual engine running time. Engines greater than 80 cc displacement are certified to be emissions compliant for 500 hours of actual engine running time.

For example, a typical walk-behind lawn mower is used 20 to 25 hours per year. Therefore, the **Emissions Durability Period** of an engine with an **intermediate** rating would equate to 10 to 12 years.

Briggs & Stratton engines are certified to meet the United States Environmental Protection Agency (USEPA) Phase 2 or Phase 3 emissions standards. The Emissions Compliance Period referred to on the Emissions Compliance label indicates the number of operating hours for which the engine has been shown to meet Federal emissions requirements.

For engines at or less than 80 cc displacement:

Category C = 50 hours, Category B = 125 hours, Category A = 300 hours

For engines greater than 80 cc displacement and less than 225 cc displacement:

Category C = 125 hours, Category B = 250 hours, Category A = 500 hours

For engines of 225 cc or more displacement:

Category C = 250 hours, Category B = 500 hours, Category A = 1000 hours

## Información General

Este manual contiene información de seguridad para que usted tome conciencia de los peligros y riesgos asociados con los motores, y cómo evitarlos. También contiene instrucciones para el uso y cuidado apropiados del motor. Ya que Briggs & Stratton Corporation no conoce necesariamente cuál equipo impulsará este motor, es importante que usted lea y entienda estas instrucciones y las instrucciones del equipo. **Guarde estas instrucciones para consultarlas en el futuro.**

Para conseguir repuestos o asistencia técnica registre los números de modelo, tipo y código de su motor junto con la fecha de compra. Estos números los encuentra localizados en su motor (consulte la página de **Características y Controles**).

**Fecha de compra:** \_\_\_\_\_  
MES/DIA/AÑO

**Modelo del motor:** \_\_\_\_\_  
Modelo: Tipo: Código:

Busque el código de barras en 2D colocado sobre algunos motores. Cuando se ve con un dispositivo con capacidad 2D, el código abrirá nuestro sitio Web donde usted puede acceder a información de soporte para este producto. Aplican tarifas de datos. Algunos países pueden no tener información de soporte disponible en línea.



**Clasificaciones de potencia:** La clasificación de potencia total para los modelos individuales de motores a gas se etiqueta de acuerdo con el código J1940 de SAE (Sociedad de Ingenieros Automotrices) (Procedimiento de Clasificación de Potencia & Torque del Motor Pequeño) y la clasificación de desempeño se ha obtenido y se ha corregido de acuerdo con SAE J1995. Los valores de torsión se derivan a 2600 RPM para aquellos motores con "rpm" mencionadas en la etiquetay 3060 PRM para todos los demás; los valores de potencia se derivan a 3600 RPM. Las curvas de potencia bruta se puede ver en [www.BRIGGSandSTRATTON.COM](http://www.BRIGGSandSTRATTON.COM). Los valores netos de potencia se toman con escape y filtro de aire instalado mientras que los valores de potencia total se recogen sin estos accesorios. La potencia total real del motor puede ser mayor que la potencia neta del motor y estar afectada por, entre otras cosas, condiciones ambientales de operación y variabilidad de motor a motor. Dado el amplio conjunto de productos en los cuales son puestos los motores, el motor a gas podría no desarrollar la potencia total nominal cuando sea usado en una parte dada del equipo acoplado. Esta diferencia se debe a una variedad de factores que incluyen, sin limitarse a, la variedad de componentes del motor (filtro de aire, sistema de escape, sistema de carga, sistema de enfriamiento, carburador, bomba de combustible, etc.), limitaciones de la aplicación, condiciones ambientales de operación (temperatura, humedad, altitud), y a la variabilidad de motor a motor. Debido a las limitaciones de fabricación y capacidad Briggs & Stratton puede sustituir este motor por un motor de potencia nominal más alta.

## Seguridad del Operario

### SÍMBOLOS DE SEGURIDAD Y CONTROL



El símbolo de aviso de seguridad se utiliza para identificar la información de seguridad relacionada con los peligros que pueden ocasionar lesiones personales. Se señala con una palabra (PELIGRO, ADVERTENCIA o PRECAUCIÓN) con el símbolo de aviso para indicar la probabilidad de una lesión y su gravedad potencial. Además, un símbolo de peligro puede ser utilizado para representar el tipo de peligro.

**PELIGRO** indica un peligro que si no es evitado, **ocasionará la muerte o heridas graves.**

**ADVERTENCIA** indica un peligro que si no es evitado, **podría ocasionar la muerte o heridas graves.**

**PRECAUCIÓN** indica un peligro que, si no es evitado, **podría ocasionar lesiones menores o moderadas.**

**NOTIFICACIÓN** indica una situación que **podría ocasionar daños al producto.**

### ADVERTENCIA

Ciertos componentes en este producto y sus accesorios relacionados contienen químicos que el Estado de California considera que ocasionan cáncer, defectos congénitos y otros daños en el aparato reproductivo. Lávese las manos después de manejarlos.

### ADVERTENCIA

La descarga de escape que expela este motor por este producto contiene químicos conocidos para el Estado de California que pueden ocasionar cáncer, defectos de nacimiento u otros daños que pueden ser perjudiciales para la reproducción.

### ADVERTENCIA

Los motores Briggs & Stratton no están diseñados ni deben ser utilizados para impulsar karts para diversión/recreo, vehículos para niños, recreacionales o vehículos deportivos todo terreno (ATVs), bicicletas motorizadas, aerodeslizadores, productos para aviación o vehículos para uso en eventos competitivos no autorizados por Briggs & Stratton. Para información acerca de productos para carreras de competencia refiérase a [www.briggsracing.com](http://www.briggsracing.com). Para la utilización con ATVs utilitarios y "lado a lado," por favor póngase en contacto con Briggs & Stratton Engine Application Center, 1-866-927-3349. La aplicación inadecuada del motor puede tener como resultado lesiones graves o incluso la muerte.

**NOTIFICACIÓN:** Este motor fue despachado de Briggs & Stratton sin aceite. Antes de darle arranque al motor, asegúrese de agregar aceite de acuerdo con las instrucciones de este manual. Si da arranque al motor sin que éste tenga aceite, se dañará hasta tal punto que no podrá ser reparado y no será cubierto por la garantía.



## ADVERTENCIA



**El combustible y sus vapores son extremadamente inflamables y explosivos.**



**Un incendio o una explosión pueden causar graves quemaduras o la muerte.**

### Quando Aprovechone con Combustible

- Apague el motor y deje que el motor se enfríe por lo menos 2 minutos antes de remover la tapa de combustible.
- Llene el tanque de combustible en exteriores o en un área bien ventilada.
- No llene demasiado el tanque de combustible. Para permitir la expansión del combustible no llene por encima de la parte inferior del cuello del tanque de combustible
- Mantenga el combustible a distancia de chispas, llamas abiertas, testigos piloto, calor y otras fuentes de encendido.
- Compruebe con frecuencia si existen grietas o fugas en las mangueras de combustible, el tanque, la tapa y en los accesorios. Cámbielos si es necesario
- Si se derramó combustible, espere hasta que se haya evaporado antes de darle arranque al motor.

### Quando le de Arranque al motor

- Asegúrese que la bujía, el mofle, la tapa de combustible y el filtro de aire (si está equipado) estén en su lugar, y firmemente asegurados.
- No haga girar el motor si removió la bujía.
- Si el motor se inunda, ajuste el estrangulador (si está equipado) en la posición OPEN/RUN, coloque el acelerador (si está equipado) en la posición FAST y haga girar el motor hasta que de arranque.

### Quando Opere El Equipo

- No incline el motor ni el equipo a un ángulo que pueda ocasionar derrames de combustible.
- No use el estrangulador para detener el motor.
- Nunca arranque u opere el motor si removió el conjunto del filtro de aire (si está equipado) o el filtro de aire (si está equipado).

### Quando cambie el aceite

- Si drena el aceite desde el tubo superior de llenado de aceite, el tanque de combustible debe estar vacío o de lo contrario podría presentarse una fuga de combustible que podría ocasionar un incendio o una explosión.

### Al inclinar la unidad para trabajos de mantenimiento

- Al realizar trabajos de mantenimiento que requieran inclinar la unidad, el tanque de combustible debe estar desocupado o podría haber una fuga de combustible y generar un incendio o una explosión.

### Quando Transporte el Equipo

- Transpórtelo con el tanque de combustible VACÍO o con la válvula de paso de combustible en la posición OFF.

### Quando Almacene el Combustible o el Equipo con Combustible en el Tanque

- Almacene a distancia de hornos, estufas, calentadores de agua u otros aparatos que utilicen testigos piloto u otras fuentes de encendido ya que estos pueden encender los vapores combustibles.



## ADVERTENCIA



**Dar arranque al motor crea chispeo.**



**El chispeo puede encender los gases inflamables cercanos.**

**Podría ocurrir una explosión o un incendio.**

- Si hay una fuga de gas natural o gas propano LP en el área, no le de arranque al motor.
- No use líquidos de arranque presurizado ya que los vapores son inflamables.



## ADVERTENCIA



**La retracción rápida de la cuerda de arranque (contragolpe) le halará la mano y el brazo hacia el motor más rápido de lo que usted la pueda dejar ir.**

**Podrían ocasionarse roturas de huesos, fracturas, moretones o torceduras.**

- Cuando le de arranque al motor, hale lentamente la cuerda hasta que se sienta resistencia y después hálela rápidamente para evitar un contragolpe.
- Remueva todas las cargas externas del equipo/motor antes de darle arranque al motor.
- Los componentes de acople directo del equipo tal como, pero sin limitarse a, cuchillas, impulsores, poleas, dientes de piñones, etc. se deben asegurar firmemente.



## ADVERTENCIA



**PELIGRO DEBIDO A GAS VENENOSO.** El escape del motor contiene monóxido de carbono, un gas venenoso que puede matarlo en cuestión de minutos. Usted **NO PUEDE** verlo, olerlo o probarlo. Incluso si usted no puede oler los vapores del escape, usted todavía puede estar expuesto al monóxido de carbono. Si usted comienza a sentirse enfermo, mareado, o débil mientras usa este producto, apáguelo y salga al aire fresco **INMEDIATAMENTE**. Consulte a un médico. Usted puede sufrir de intoxicación por monóxido de carbono.

- Opere este producto ÚNICAMENTE lejos de ventanas, puertas y rejillas de ventilación para reducir el riesgo de que se acumule el monóxido de carbono y que potencialmente resulte arrastrado hacia los espacios ocupados.
- Instale alarmas para monóxido de carbono que funcionen con baterías o alarmas insertables para monóxido de carbono con batería de respaldo, de acuerdo a las instrucciones del fabricante. Las alarmas de humo no pueden detectar el monóxido de carbono.
- NO haga funcionar este producto dentro de hogares, garajes, sótanos, espacios para acceso, casetas u otros espacios parcialmente cerrados, incluso si se usan ventiladores o se abran las puertas y ventanas para propósitos de ventilación. El monóxido de carbono puede acumularse rápidamente en estos espacios y puede persistir durante horas, incluso después de que se haya apagado este producto.
- SIEMPRE coloque este producto a favor del viento y apunte el escape del motor lejos de espacios ocupados.



## ADVERTENCIA



**Las partes rotantes pueden tener contacto o enredar las manos, los pies, el cabello, la ropa o los accesorios.**



**Puede producirse una traumática amputación o una grave laceración.**

- Opere el equipo con los protectores en su lugar.
- Mantenga sus manos y sus pies a distancia de las partes rotantes.
- Recójase el cabello largo y quítese las joyas.
- No use ropa floja, tiras que cuelguen ni artículos que puedan ser agarrados.



## ADVERTENCIA



**El funcionamiento de los motores produce calor. Las partes de los motores, especialmente el mofle, se calientan demasiado.**



**Pueden ocurrir graves quemaduras a causa de su contacto.**



**Desechos combustibles, tal como hojas, grama, maleza, etc. pueden alcanzar a encenderse.**

- Deje que el mofle, el cilindro y las aletas del motor se enfríen antes de tocarlos.
- Remueva los desechos acumulados en el área del mofle y en el área del cilindro.
- Usar u operar el motor en un terreno que contenga bosques, arbustos o pasto es una violación al Código de Recursos Públicos de California, Sección 4442, a menos que el sistema de escape esté equipado con un atrapachispas, según se define en la Sección 4442, mantenido en excelente estado de funcionamiento. Otros estados o jurisdicciones federales pueden tener leyes similares. Contacte al fabricante, comerciante o distribuidor del equipo original para obtener un atrapachispas diseñado para el sistema de escape instalado en este motor.



## ADVERTENCIA



**Un chispeo involuntario puede producir un incendio o una descarga eléctrica.**



**Una puesta en marcha involuntaria puede ocasionar un enredo, una amputación traumática o una laceración.**



**Peligro de incendio**

### Antes de hacer ajustes o reparaciones:

- Desconecte el cable de la bujía y mántegalo a distancia de la bujía.
- Desconecte la batería en la terminal negativa (únicamente motores con arranque eléctrico).
- Use únicamente las herramientas correctas.
- No manipule los resortes del regulador, las varillas u otras partes para incrementar la velocidad del motor.
- Los repuestos deben ser del mismo diseño y ser instalados en la misma posición que tenían las partes originales. Es posible que otros repuestos no funcionen tan bien, dañen la unidad y hasta pueden ocasionar lesiones.
- No golpee la volante con un martillo ni con un objeto pesado ya que la volante podría astillarse más adelante durante la operación.

### Quando compruebe chispa:

- Utilice un probador aprobado.
- No compruebe chispa si removió la bujía.

# Características y Controles

Compare la ilustración **1** con su motor para que se familiarice con la localización de las diversas características y controles.

- A. Identificación del motor  
**Modelo Tipo Código**
- B. Bujía
- C. Estrangulador
- D. Cebador
- E. Válvula de Paso de Combustible
- F. Manija de la cuerda de arranque
- G. Protector de Dedos
- H. Tapa y Tanque de Combustible
- I. Varilla Indicadora de Nivel/Llenado de Aceite
- J. Tapón de drenaje de aceite
- K. Mofle  
Protector del mofle (opcional)  
Deflector del mofle
- L. Llave de Seguridad (opcional) \*
- M. Pulsador arranque eléctrico
- N. Cubierta de Nieve
- O. Receptáculo de cuerda de energía - 120 Voltios
- P. Receptáculo de cuerda de energía - 230 Voltios
- Q. Arranque Eléctrico.
- R. Control del acelerador (opcional) \*
- S. Llave (opcional) \*

\* Algunos motores y equipos tienen controles remotos. Vea el manual del equipo para la ubicación y operación de los controles remotos.

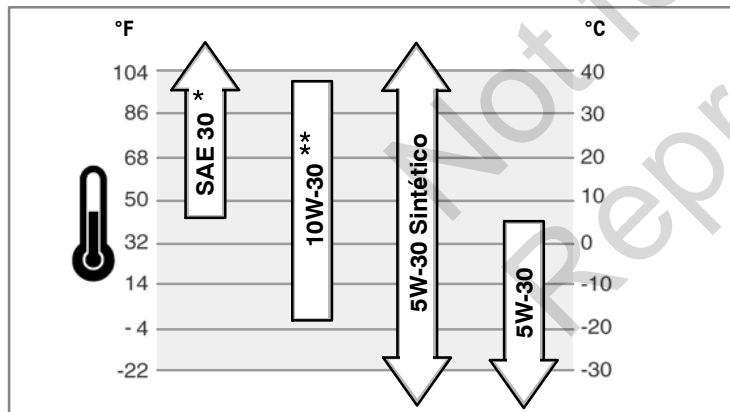
## Operación

Capacidad de aceite (consulte la sección de **Especificaciones**)

### Recomendaciones de Aceite

Recomendamos el uso de aceites Briggs & Stratton Warranty Certified para obtener el mejor desempeño. Otros aceites detergentes de alta calidad son aceptables si están clasificados para servicio SF, SG, SH, SJ o mayores. No utilice aditivos especiales.

Las temperaturas externas determinan la viscosidad adecuada del aceite para el motor. Utilice la tabla para seleccionar la mejor viscosidad según el rango de temperatura externa esperado.



\* Si se utiliza SAE 30 a una temperatura inferior a los 40°F (4°C) se producirá un arranque difícil.

\*\* Si se utiliza 10W-30 a una temperatura superior a los 80°F (27°C) se podrá ocasionar un mayor consumo de aceite. Verifique el nivel de aceite con mayor frecuencia.

### Cómo Comprobar/Añadir Aceite - Figura 2

Antes de añadir o comprobar el nivel de aceite

- Coloque el motor a nivel.
- Limpie el área de llenado de aceite de todo desecho.
- 1. Remueva la varilla indicadora de nivel de aceite (C) y límpiela con un trapo limpio.
- 2. Inserte y apriete la varilla indicadora de nivel de aceite.
- 3. Remueva la varilla indicadora de nivel de aceite y compruebe el nivel de aceite. El aceite debe llegar arriba del indicador de (D) en la varilla indicadora de nivel de aceite.
- 4. Para añadir aceite, vierta el aceite lentamente por dentro del tubo de llenado de aceite (B). **No llene excesivamente.** Después de añadir aceite, espere un minuto y vuelva a comprobar el nivel de aceite.
- 5. Coloque y apriete la varilla indicadora de nivel de aceite.

### Sistema de protección contra bajo nivel de aceite (si está equipado)

Algunos motores están equipados con un sensor de bajo nivel de aceite. Si el nivel de aceite es bajo, el sensor o activará una luz de advertencia o detendrá el motor. Pare el motor y siga estos pasos antes de volverlo a arrancar.

- Asegúrese que el motor esté nivelado.
- Verifique el nivel de aceite. Consulte la sección **Cómo verificar/Agregar aceite.**
- Si el nivel de aceite es bajo, añada la cantidad apropiada de aceite. Arranque el motor y compruebe que la luz de advertencia (si está equipada) no quede encendida.
- Si el nivel de aceite no está en bajo **no dé arranque** al motor. Contacte un Distribuidor Autorizado Briggs & Stratton para corregir el problema de presión de aceite.

### Recomendaciones para el Combustible

El combustible debe cumplir con estos requerimientos:

- Gasolina limpia, fresca y libre de plomo.
- Un mínimo de 87 octanos/87 AKI (91 RON). Para uso a alta altitud vea a continuación.
- El uso de gasolina hasta con el 10% de etanol (gasohol) es aceptable.

**PRECAUCIÓN:** No use gasolina que no haya sido aprobada, tal como E15 ó E85. No mezcle el aceite con la gasolina, ni modifique el motor para operarlo con combustibles alternos. El uso de combustibles no aprobados causará daños a los componentes del motor, que no estarán cubiertos por la garantía.

Para proteger el sistema de combustible de la formación de depósitos de goma, mézclele un estabilizador de combustible cuando le añada combustible. Consulte el aparte: **Bodegaje.** Todos los combustibles no son los mismos. Si se presentan problemas de arranque o de rendimiento cambie de proveedor de combustible o de marca. Este motor está certificado para operar con gasolina. El sistema de control de emisiones para este motor es EM (Modificaciones del Motor).

### Alta Altitud

A alturas superiores a 5,000 pies (1524 metros), es aceptable una gasolina con un mínimo de 85 octanos/85 AKI (89 RON). Es necesario realizar ajustes para uso en altura para seguir cumpliendo con los límites de emisiones. Si no se realiza este ajuste, podría disminuir el desempeño y aumentar el consumo de combustible y las emisiones. Para obtener información sobre el ajuste para uso en altura, consulte con un Distribuidor de Servicio Autorizado Briggs & Stratton.

No se recomienda operar el motor a alturas inferiores a los 2,500 pies (762 metros) con el ajuste para gran altura.

### Cómo Añadir Combustible - Figura 3



#### ADVERTENCIA



El combustible y sus vapores son extremadamente inflamables y explosivos.



Un incendio o una explosión pueden causar graves quemaduras o la muerte.

#### Cuando Aprovechone con Combustible

- Apague el motor y deje que el motor se enfríe por lo menos 2 minutos antes de remover la tapa de combustible.
- Llène el tanque de combustible en exteriores o en un área bien ventilada.
- No llene demasiado el tanque de combustible. Para permitir la expansión del combustible no llene por encima de la parte inferior del cuello del tanque de combustible
- Mantenga el combustible a distancia de chispas, llamas abiertas, testigos piloto, calor y otras fuentes de encendido.
- Compruebe con frecuencia si existen grietas o fugas en las mangueras de combustible, el tanque, la tapa y en los accesorios. Cámbielos si es necesario
- Si se derramó combustible, espere hasta que se haya evaporado antes de darle arranque al motor.

1. Limpie el área de la tapa de combustible de polvo y desechos. Retire la tapa de combustible (A) (Figura 3).
2. Llène el tanque de combustible (B) con combustible. Para permitir la expansión de la gasolina, no lo llene por encima de la parte inferior del cuello del tanque de combustible (C).
3. Vuelva a colocar la tapa de combustible.

## Cómo Darle Arranque al Motor - Figura 4 5



### ADVERTENCIA



La retracción rápida de la cuerda de arranque (contragolpe) le halará la mano y el brazo hacia el motor más rápido de lo que usted la pueda dejar ir.

Podrían ocasionarse roturas de huesos, fracturas, moretones o torceduras.

- Cuando le de arranque al motor, hale lentamente la cuerda hasta que se sienta resistencia y después hálala rápidamente para evitar un contragolpe.
- Remueva todas las cargas externas del equipo/motor antes de darle arranque al motor.
- Los componentes de acople directo del equipo tal como, pero sin limitarse a, cuchillas, impulsores, poleas, dientes de piñones, etc. se deben asegurar firmemente.



### ADVERTENCIA



El combustible y sus vapores son extremadamente inflamables y explosivos.



Un incendio o una explosión pueden causar graves quemaduras o la muerte.

#### Cuando le de Arranque al motor

- Asegúrese que la bujía, el mofle, la tapa de combustible y el filtro de aire (si está equipado) estén en su lugar, y firmemente asegurados.
- No haga girar el motor si removió la bujía.
- Si el motor se inunda, ajuste el estrangulador (si está equipado) en la posición OPEN/RUN, coloque el acelerador (si está equipado) en la posición FAST y haga girar el motor hasta que de arranque.



### ADVERTENCIA



**PELIGRO DEBIDO A GAS VENENOSO. El escape del motor contiene monóxido de carbono, un gas venenoso que puede matarlo en cuestión de minutos. Usted NO PUEDE verlo, olerlo o probarlo. Incluso si usted no puede oler los vapores del escape, usted todavía puede estar expuesto al monóxido de carbono. Si usted comienza a sentirse enfermo, mareado, o débil mientras usa este producto, apáguelo y salga al aire fresco INMEDIATAMENTE. Consulte a un médico. Usted puede sufrir de intoxicación por monóxido de carbono.**

- Opere este producto ÚNICAMENTE lejos de ventanas, puertas y rejillas de ventilación para reducir el riesgo de que se acumule el monóxido de carbono y que potencialmente resulte arrastrado hacia los espacios ocupados.
- Instale alarmas para monóxido de carbono que funcionen con baterías o alarmas insertables para monóxido de carbono con batería de respaldo, de acuerdo a las instrucciones del fabricante. Las alarmas de humo no pueden detectar el monóxido de carbono.
- NO haga funcionar este producto dentro de hogares, garajes, sótanos, espacios para acceso, casetas u otros espacios parcialmente cerrados, incluso si se usan ventiladores o se abran las puertas y ventanas para propósitos de ventilación. El monóxido de carbono puede acumularse rápidamente en estos espacios y puede persistir durante horas, incluso después de que se haya apagado este producto.
- SIEMPRE coloque este producto a favor del viento y apunte el escape del motor lejos de espacios ocupados.



### ADVERTENCIA



Un chispeo involuntario puede producir un incendio o una descarga eléctrica.



Una puesta en marcha involuntaria puede ocasionar un enredo, una amputación traumática o una laceración.






Peligro de incendio

- Use una cuerda de extensión de 3 cables.
- Conecte primero la cuerda de extensión al conector del arranque eléctrico y luego a una toma de la pared. Si se requiere una cuerda de extensión adicional utilice una cuerda de 3 cables.
- Si la cuerda de alimentación está dañada, ésta debe ser suministrada por el fabricante o su agente de servicio o por una persona similarmente calificada para evitar un riesgo.

**NOTIFICACIÓN:** Briggs & Stratton despacha este motor sin aceite. Antes de arrancar el motor, asegúrese de añadir aceite de acuerdo con las instrucciones en este manual. Si arranca el motor sin aceite, no será posible reparar el daño y no estará cubierto por la garantía.

*Nota:* Algunos motores y equipos tienen controles remotos. Vea el manual del equipo para la ubicación y operación de los controles remotos.

1. Verifique el nivel de aceite. Consulte la sección **Cómo verificar/agregar aceite**.
2. Asegúrese de que los controles de impulso del equipo, si están equipados, estén desengranados.
3. Mueva la palanca del control del acelerador (B), si está equipada, hacia la posición fast  (Figura 4). Opere el motor con la palanca del control del acelerador en la posición fast.
4. Gire la válvula de cierre de combustible (A), si está equipada, a la posición on (Figura 4).
5. Inserte la llave (C), si está equipada, y gire a la posición on/start . Inserte la llave de seguridad (D), si está equipada.
6. Gire la perilla de control del estrangulador (J) a la posición choke .  
*Nota:* Generalmente el estrangulador no es necesario cuando se enciende un motor caliente.
7. Oprima el cebador dos veces (F). Vea Figura 4.  
*Nota:* Generalmente no es necesario utilizar el cebador cuando se le va a volver a dar arranque a un motor ya caliente.
8. **Arranque retráctil:** Agarre firmemente la manija de la cuerda de arranque (G, Figura 4). Hale lentamente la cuerda de arranque hasta que se sienta resistencia, después hálala rápidamente.  
*Nota:* Si el motor no arranca después de varios intentos, visite [BRIGGSandSTRATTON.COM](http://BRIGGSandSTRATTON.COM) o llame al **1-800-233-3723** (en los EE.UU.).




**ADVERTENCIA:** La retracción rápida de la cuerda de arranque (contragolpe) le halará la mano y el brazo hacia el motor más rápido de lo que usted la pueda dejar ir. Podrían ocasionarse roturas de huesos, fracturas, moretones o torceduras. Cuando le de arranque al motor, hale lentamente la cuerda hasta que se sienta resistencia y después hálala rápidamente para evitar un contragolpe.

9. **Arranque eléctrico:** Conecte primero la cuerda de extensión a la toma de la cuerda de potencia (H, 120 Voltios) o (K, 230 Voltios) y luego a una toma de la pared. Vea Figura 5. Si se requiere una cuerda de extensión adicional cerciórese de que es una cuerda de extensión de 3 cables con puesta a tierra.



**ADVERTENCIA:** Si la cuerda de alimentación está dañada, ésta debe ser suministrada por el fabricante o su agente de servicio o por una persona similarmente calificada para evitar un riesgo.

10. **Arranque eléctrico:** Oprima el pulsador (I). Después de que el motor arranque, desconecte primero la cuerda de extensión de la toma de la pared y luego de la toma de la cuerda de potencia (H, K).  
*Nota:* Si el motor no arranca después de varios intentos, visite [BRIGGSandSTRATTON.COM](http://BRIGGSandSTRATTON.COM) o llame al **1-800-233-3723** (en los EE.UU.).  
**NOTIFICACIÓN:** Para prolongar la duración del arrendador, utilice ciclos de arranque cortos (máximo de cinco segundos). Espere un minuto entre ciclos de arranque.
11. Permita que el motor se caliente durante varios minutos. A continuación, nueva lentamente la perilla de control del estrangulador a la posición run .

## Cómo Detener el Motor - Figura 6



### ADVERTENCIA



El combustible y sus vapores son extremadamente inflamables y explosivos.





Un incendio o una explosión pueden causar graves quemaduras o la muerte.

- No use el estrangulador para detener el motor.

1. Gire la llave (C), si está equipada, a la posición off  (Figura 6).

Retire la llave de seguridad (D), si está equipada.  
or

Mueva la palanca de control del acelerador (B), si está equipada, a slow  y luego a la posición stop .

2. Retire la llave (C, D). Mantenga la llave lejos del alcance de los niños.
3. Después de que se detenga el motor, gire la válvula de cierre de combustible (A) a la posición cerrada.



# Mantenimiento

Recomendamos que contacte a cualquier Distribuidor Autorizado de Briggs & Stratton para todo lo relacionado con el mantenimiento y el servicio del motor y sus partes.

**NOTIFICACIÓN:** Todos los componentes utilizados para fabricar este motor deben mantenerse en su lugar para una correcta operación.



**ADVERTENCIA:** Al realizar trabajos de mantenimiento que requieran inclinar la unidad, el tanque de combustible debe estar desocupado o podría haber una fuga de combustible y generar un incendio o una explosión.

## Control de Emisiones

El mantenimiento, cambio o reparación de los dispositivos y sistemas del control de emisiones pueden ser realizados por cualquier establecimiento o persona que repare motores todo terreno. Sin embargo, para obtener servicio de control de emisiones "sin costo", la labor debe ser realizada por un distribuidor autorizado por la fábrica. Vea la Garantía de Emisiones.



### ADVERTENCIA

Un chispeo involuntario puede producir un incendio o una descarga eléctrica.

Una puesta en marcha involuntaria puede ocasionar un enredo, una amputación traumática o una laceración.

Peligro de incendio



#### Antes de hacer ajustes o reparaciones:

- Desconecte el cable de la bujía y mántegalo a distancia de la bujía.
- Desconecte la batería en la terminal negativa (únicamente motores con arranque eléctrico).
- Use únicamente las herramientas correctas.
- No manipule los resortes del regulador, las varillas u otras partes para incrementar la velocidad del motor.
- Los repuestos deben ser del mismo diseño y ser instalados en la misma posición que tenían las partes originales. Es posible que otros repuestos no funcionen tan bien, dañen la unidad y hasta pueden ocasionar lesiones.
- No golpee la volante con un martillo ni con un objeto pesado ya que la volante podría astillarse más adelante durante la operación.

#### Cuando compruebe chispa:

- Utilice un probador aprobado.
- No compruebe chispa si removió la bujía.

## Cuadro de Mantenimiento

### Las Primeras 5 horas

- Cambie aceite

### Cada 8 Horas o Diariamente

- Compruebe el nivel de aceite del motor.

### Cada 50 horas o una vez al año

- Cambie el aceite del motor
- Compruebe el mofle y el protector del mofle.

### Anualmente

- Cambie la bujía
- Compruebe la tolerancia de la válvula \*

\* No se requiere a menos que se detecten problemas de rendimiento del motor.

## Ajuste del carburador y de la velocidad del motor

Nunca haga ajustes al carburador o a la velocidad del motor. El carburador fue ajustado en fábrica para operar eficientemente bajo la mayoría de las condiciones. No interfiera con el resorte del regulador, las varillas u otras partes para cambiar la velocidad del motor. Si son necesarios ajustes póngase en contacto con un Centro de Servicio Autorizado de Briggs & Stratton para que le presten el servicio.

**AVISO:** El fabricante del equipo especifica la velocidad máxima para el motor tal como ha sido instalado en el equipo. **No exceda** esta velocidad. Si no está seguro de cuál es la velocidad máxima del equipo, o cuál era la velocidad del motor ajustada en la fábrica, póngase en contacto con un Centro de Servicio Autorizado de Briggs & Stratton para obtener ayuda. Para un funcionamiento seguro y adecuado del equipo, la velocidad del motor debe ser ajustada solamente por un técnico de servicio calificado.

## Cómo Cambiar la Bujía - Figura 7

Compruebe el entrehierro (A, Figura 7) con un calibrador de espesor (B). Si es necesario, reajuste el entrehierro. Instale y apriete la bujía al par de apriete recomendado. Para el ajuste del entrehierro o el par de apriete, consulte la sección de **Especificaciones**.

*Nota:* En algunas áreas, las leyes locales requieren el uso de una bujía con resistencia para suprimir las señales de encendido. Si este motor vino originalmente equipado con una bujía con resistencia, utilice el mismo tipo de bujía cuando la reemplace.

## Como lograr acceso a la bujía - Figura 8 9

Para llegar a la bujía se debe quitar la cubierta para nieve como sigue:

1. Retire la llave (A, B, Figura 8). Mantenga la llave lejos del alcance de los niños.
2. Agarre la perilla de control del estrangulador (J) y hale para retirarla.
3. Retire los tornillos de montaje (C).
4. Retire con cuidado la parte superior de la cubierta para nieve (D, Figura 9). No desconecte la manguera de cebado (E), si está equipada, o el alambre del suiche de parada (F).
5. Ahora se puede tener acceso a la bujía (G).
6. Antes de instalar la cubierta para nieve, cerciórese de que la manguera de cebado, si está equipada, y el alambre del suiche de parada estén conectados.
7. Monte la parte superior de la cubierta para nieve en la base de la cubierta para nieve (H). Asegúrese de que la parte superior se enclave con la base. Fije firmemente con los tornillos de montaje.
8. Alinee las ranuras en la perilla de control del estrangulador con las pestañas sobre el eje del estrangulador (I) y a continuación empuje hacia abajo para instalar. Si la perilla no está instalada correctamente, el estrangulador no funcionará.
9. No instale la llave de seguridad hasta que esté listo para arrancar el motor.

## Inspección del Mofle y el Atrapachispas - Figura 10



### ADVERTENCIA



El funcionamiento de los motores produce calor. Las partes de los motores, especialmente el mofle, se calientan demasiado.

Pueden ocurrir graves quemaduras a causa de su contacto.



Desechos combustibles, tal como hojas, grama, maleza, etc. pueden alcanzar a encenderse.

- Deje que el mofle, el cilindro y las aletas del motor se enfríen antes de tocarlos.
- Remueva los desechos acumulados en el área del mofle y en el área del cilindro.
- Constituye una violación del Código de Recursos Públicos de California, Sección 4442, el utilizar u operar el motor en terrenos cubiertos con bosques, maleza o grama, a menos que el sistema de escape esté equipado con un atrapachispas, tal como se define en la Sección 4442, mantenido en correcto orden de funcionamiento. Otros estados pueden tener leyes similares. Póngase en contacto con el fabricante, minorista o distribuidor del equipo original para obtener un atrapachispas diseñado para el sistema de escape instalado en este motor.

Remueva los desechos acumulados en el área del mofle y en el área del cilindro. Inspeccione el mofle (A, Figura 10) en busca de grietas, corrosión u otros daños. Remueva el atrapachispas (B), en caso de estar equipado, e inspeccione en búsqueda de daños u obstrucciones de carbón. Si se encuentran daños, instale los repuestos antes de operar.



**ADVERTENCIA:** Los repuestos deben ser del mismo diseño y ser instalados en la misma posición que tenían las partes originales. Es posible que otros repuestos no funcionen tan bien, dañen la unidad y hasta pueden ocasionar lesiones.

## Filtro de Aire

Este motor **no viene equipado** con un filtro de aire. **NO use este motor para ninguna otra aplicación distinta a la remoción de nieve.**

## Cómo Cambiar el Aceite - Figura 2 11

El aceite usado es un producto de desecho peligroso. Disponga del aceite usado apropiadamente. No lo descarte en la basura doméstica. Verifique con sus autoridades locales, con el centro de servicio, o con su distribuidor para obtener información acerca de las facilidades seguras para su destrucción/reciclaje.

## Remoción del Aceite

1. Con el motor apagado pero aún caliente, desconecte el cable de la bujía (A) y mántegalo a distancia de la bujía (Figura 11).  
*Nota:* Para lograr acceso al cable de la bujía, primero tiene que remover la cubierta para nieve del motor. Consulte **Cómo lograr acceso a la bujía**.
2. Retire el tapón de drenaje de aceite (E, Figura 2). Drene el aceite en el recipiente apropiado.
3. Después de drenar el aceite, coloque y apriete el tapón de drenaje de aceite.

## Aprovisionamiento de aceite

- Coloque el motor a nivel.
  - Limpie el área de llenado de aceite de todo desecho.
  - Para la capacidad de aceite vea la sección **Especificaciones**.
1. Remueva la varilla indicadora de nivel de aceite (C, Figura 2) y límpiela con un trapo limpio.
  2. Vierta el aceite lentamente por dentro del tubo de llenado de aceite del motor (B). **No lo llene excesivamente**. Después de añadir aceite, espere un minuto y a continuación vuelva a comprobar el nivel de aceite.

- Coloque y ajuste la varilla indicadora.
- Remueva la varilla indicadora de nivel de aceite y compruebe el nivel de aceite. El aceite debe llegar arriba del indicador de (D) en la varilla indicadora de nivel de aceite.
- Coloque y ajuste la varilla indicadora.

## Bodegaje



### ADVERTENCIA



El combustible y sus vapores son extremadamente inflamables y explosivos.



Un incendio o una explosión pueden causar graves quemaduras o la muerte.

#### Cuando Almacene el Combustible o el Equipo con Combustible en el Tanque

- Almacene a distancia de hornos, estufas, calentadores de agua u otros aparatos que utilicen testigos piloto u otras fuentes de encendido ya que estos pueden encender los vapores combustibles.

## Sistema de Combustible

El combustible puede pasarse si se lo almacena por más de 30 días. El combustible pasado provoca la formación de depósitos de ácido y goma en el sistema de

combustible o en partes esenciales del carburador. Para mantener el combustible fresco, utilice el **Estabilizador y tratamiento de combustible con fórmula avanzada de Briggs & Stratton**, disponible donde se venden partes de servicio legítimas de Briggs & Stratton.

Para motores equipados con una tapa de combustible FRESH START®, utilice el estabilizador de combustible **FRESH START®** de Briggs & Stratton, disponible en forma de cartucho concentrado de goteo.

Si el estabilizador se agrega de acuerdo a las instrucciones, no es necesario drenar la gasolina del motor. Haga andar el motor durante 2 minutos para hacer circular el estabilizador por el sistema de combustible antes de proceder al almacenamiento.

Si la gasolina en el motor no ha sido tratada con un estabilizador de combustible, debe ser drenada a un recipiente aprobado. Deje que el motor opere hasta que se detenga por la falta de combustible. Se recomienda el uso de un estabilizador de combustible en el recipiente de almacenamiento para mantener la frescura.

## Aceite del Motor

Cambie el aceite del motor mientras que el motor se encuentre todavía caliente.

## Detección de Fallas

¿Necesita Asistencia? Vaya a **BRIGGSandSTRATTON.COM** o marque el teléfono **1-800-233-3723** (en los EE.UU.).

# Especificaciones

## Especificaciones del Motor

Modelo	120000
Desplazamiento	12,48 in <sup>3</sup> (205 cm <sup>3</sup> )
Diámetro Interno del Cilindro	2,688 in (68,28 mm)
Carrera	2,200 in (55,88 mm)
Capacidad de Aceite	18 - 20 oz (0,54 - 0,59 L)

## Especificaciones del Motor

Modelo	150000
Desplazamiento	15,24 in <sup>3</sup> (250 cm <sup>3</sup> )
Diámetro Interno del Cilindro	2,970 in (75,44 mm)
Carrera	2,200 in (55,88 mm)
Capacidad de Aceite	18 - 20 oz (0,54 - 0,59 L)

## Especificaciones del Motor

Modelo	200000
Desplazamiento	18,63 in <sup>3</sup> (305 cm <sup>3</sup> )
Diámetro Interno del Cilindro	3,120 in (79,24 mm)
Carrera	2,438 in (61,93 mm)
Capacidad de Aceite	26 - 28 oz (0,77 - 0,83 L)

## Especificaciones del Motor

Modelo	210000
Desplazamiento	20,85 in <sup>3</sup> (342 cm <sup>3</sup> )
Diámetro Interno del Cilindro	3,300 in (83,81 mm)
Carrera	2,438 in (61,93 mm)
Capacidad de Aceite	26 - 28 oz (0,77 - 0,83 L)

## Especificaciones de Ajuste \*

Modelo	120000, 150000
Entrehierro de la Bujía	0,030 in (0,76 mm)
Apriete de la bujía	180 lb-in (20 Nm)
Entrehierro Inducido	0,010 - 0,014 in (0,25 - 0,36 mm)
Tolerancia de la Válvula de Admisión	0,004 - 0,006 in (0,10 - 0,15 mm)
Tolerancia de la Válvula de Escape	0,009 - 0,011 in (0,23 - 0,28 mm)

## Especificaciones de Ajuste \*

Modelo	200000, 210000
Entrehierro de la Bujía	0,030 in (0,76 mm)
Apriete de la bujía	180 lb-in (20 Nm)
Entrehierro Inducido	0,008 - 0,012 in (0,20 - 0,30 mm)
Tolerancia de la Válvula de Admisión	0,004 - 0,006 in (0,10 - 0,15 mm)
Tolerancia de la Válvula de Escape	0,004 - 0,006 in (0,10 - 0,15 mm)

\* La potencia del motor disminuirá 3,5% por cada 1.000 pies (300 metros) sobre el nivel del mar y 1% por cada 10° F (5,6° C) por encima de 77° F (25° C). Este operará satisfactoriamente a un ángulo de hasta 15°. Refiérase al manual del operador del equipo para obtener información acerca de los límites de operación permitidos en pendientes.

## Partes de Servicio Comunes

Parte de Servicio	Numero de parte
Aditivo de Combustible	5041, 5058
Bujía con Resistencia (Modelo 120000, 150000, 200000, 210000)	491055
Bujía de Platino de Larga Vida (Modelo 120000, 150000)	696202, 5066
Bujía de Platino de Larga Vida (Modelo 200000, 210000)	793541

Parte de Servicio	Numero de parte
Llave de Bujía	89838, 5023
Probador de Chispa	19368

✓ Recomendamos que contacte un Distribuidor de Servicio Autorizado Briggs & Stratton para todo lo relacionado con el mantenimiento y el servicio del motor y sus partes.

**GARANTIA LIMITADA**

Briggs & Stratton Corporation garantiza que durante el período de garantía especificado más adelante reparará o reemplazará, sin costo alguno, cual(es)quier parte(s) del motor considerada(s) como defectuosas en material, mano de obra o ambos. Los gastos de transporte del producto sometido a reparación o cambio bajo esta Garantía deben ser abonados por el comprador. Esta garantía tiene vigencia y está sujeta a los períodos y condiciones establecidos a continuación. Para recibir servicio de garantía, contacte el Distribuidor de Servicio Autorizado más cercano en nuestro mapa de localización de distribuidores en BRIGGSandSTRATTON.COM. El comprador debe ponerse en contacto con el Distribuidor de Servicio Autorizado, y luego poner el producto a disposición del Distribuidor de Servicio Autorizado para la inspección y pruebas. **No existe ninguna otra garantía expresa. Las garantías implícitas, incluso aquellas de mercantilidad o adaptabilidad para un fin determinado quedan limitadas al período de garantía listado a continuación o a la extensión permitida por la ley. La responsabilidad por daños fortuitos o consecuentes bajo cualquier y todas las garantías queda excluida en la medida que dicha exclusión sea permitida por la ley.** Algunos países o estados no contemplan limitaciones en cuanto a la duración de una garantía implícita, y otros países o estados no permiten la exclusión o limitación de daños consecuentes o incidentales, en cuyo caso la limitación y la exclusión anteriores pueden no ser aplicables para usted. Esta garantía le da derechos legales específicos, pudiendo tener a su vez otros derechos que varían de un estado a otro y de un país a otro. \*\*

**TÉRMINOS ESTÁNDAR PARA GARANTÍA \* ▲**

Marca/Tipo de Producto	Uso Privado	Uso Comercial
Vanguard™ ■	3 años	3 años
Serie comercial para césped™	2 años	2 años
Motores que ofrecen Dura-Bore™, Camisa de Cilindro en Hierro Fundido	2 años	1 año
Todos los otros motores Briggs & Stratton	2 años	90 días

- \* Éstos son nuestros términos de garantía estándares, pero de vez en cuando puede existir una cobertura adicional de la garantía que no fue determinada en el momento de la publicación. Para obtener un listado de los términos de garantía corrientes para su motor, vaya a BRIGGSandSTRATTON.COM o póngase en contacto con su Distribuidor de Servicio autorizado de Briggs & Stratton.
- \*\* En Australia - Nuestros productos cuentan con garantías que no pueden ser excluidas en virtud de la Ley del Consumidor de Australia. Usted tiene derecho a un reemplazo o un reembolso en caso de una falla grave y a una compensación por cualquier pérdida o daño razonablemente previsible. Usted también tiene derecho a que se le reparen o reemplacen los productos si no son de calidad aceptable y la falla no tiene como consecuencia una falla grave. Para el servicio en garantía, ubique el Distribuidor de Servicio Autorizado más cercano en nuestro mapa de ubicación de distribuidores en BRIGGSandSTRATTON.COM, o llamando al 1300 274 447, o enviando un correo electrónico o una carta a salesenquiries@briggsandstratton.com.au, Briggs & Stratton Australia Pty Ltd, 1 Moorebank Avenue, Moorebank, NSW, Australia, 2170.
- ▲ No hay garantía para los motores de los equipos utilizados para suministrar energía primaria en sustitución de un servicio público o como generadores de reserva para fines comerciales. No se garantizan los motores usados en eventos competitivos o en pistas de carreras comerciales o de alquiler.
- Vanguard instalado en generadores standby: 2 años de uso por el consumidor, la garantía solo aplica para generadores en uso privado. Vanguard instalado en vehículos de servicio: 2 años de uso por el consumidor, 2 años para uso comercial. Para Vanguard de 3 cilindros enfriado por líquido: ver la Póliza de Garantía para Motor 3/LC de Briggs & Stratton.

El período de garantía comienza a partir de la fecha en la cual lo compró el primer consumidor detallista o usuario final comercial. "Uso privado" significa uso doméstico personal por el consumidor detallista. "Uso Comercial" significa todos los otros usos, incluyendo fines comerciales o que produzcan ingresos o renta. Una vez que el motor haya sido usado comercialmente, será considerado en adelante como equipo de uso comercial para fines de esta garantía.

**Guarde su recibo de compra. Si no proporciona evidencia sobre la fecha de compra inicial cuando se solicite el servicio de garantía, la fecha de fabricación del producto será utilizada para determinar el período de garantía. No se requiere el registro del producto a fin de obtener el servicio de garantía para los productos de Briggs & Stratton.**

**Acerca de su Garantía**

Esta garantía limitada cubre solamente aspectos de materiales y/o mano de obra relacionados con el motor, y no el cambio o devolución de los equipos en los que el motor puede estar montado. El mantenimiento de rutina, los afinamientos, los ajustes o el desgaste normal no están cubiertos por esta garantía. Asimismo, la garantía no tiene aplicación si el motor ha sido alterado o modificado o si el número de serie del motor ha sido desfigurado o eliminado. Esta garantía no incluye equipos o motores usados, reacondicionados, de segunda mano o de demostración. Esta garantía no cubre daños del motor o problemas de rendimiento causados por:

- 1 El uso de partes que no sean partes originales Briggs & Stratton;
- 2 El funcionamiento del motor con aceite lubricante insuficiente, contaminado o de grado incorrecto;
- 3 El uso de combustible contaminado o rancio, gasolina formulada con un contenido de etanol mayor de 10%, o el uso de combustibles alternativos tales como gas licuado del petróleo o gas natural en motores no diseñados o fabricados originalmente por Briggs & Stratton para operar con tales combustibles;
- 4 Suciedad que entró en el motor debido al mantenimiento o re ensambleaje incorrectos del filtro de aire;

- 5 Golpear un objeto con la cuchilla de corte de un cortacésped rotatorio, adaptadores de la cuchilla, impulsores u otros dispositivos acoplados al cigüeñal sueltos o instalados incorrectamente, o excesiva tirantez de la correa en V;
- 6 Partes asociadas o conjuntos tales como embragues, transmisiones, controles del equipo, etc., los cuales no son suministrados por Briggs & Stratton;
- 7 Sobrecalentamiento debido a recortes de hierba, suciedad y desechos, o nidos de roedores los cuales taponan u obstruyen las aletas de refrigeración o el área de la volante, o por poner en funcionamiento el motor sin suficiente ventilación;;
- 8 Vibración excesiva debida al exceso de velocidad, montaje flojo del motor, cuchillas o impulsores flojos o no balanceados, o acoplamiento incorrecto de los componentes del equipo al cigüeñal;
- 9 Uso incorrecto, falta de mantenimiento de rutina, transporte, manipulación o almacenamiento de los equipos, o instalación incorrecta del motor.

**Se dispone del servicio de garantía únicamente a través de distribuidores de servicio autorizados por Briggs & Stratton Corporation. Localice su Distribuidor de Servicio Autorizado más cercano en nuestro mapa de localización de distribuidores en BRIGGSandSTRATTON.COM o marcando el teléfono 1-800-233-3723 (en EE.UU.).**

**Declaración de garantía de control de emisiones de California, EPA de los EE. UU. y Briggs & Stratton Corporation**  
**Derechos y obligaciones de la garantía Para los modelos de motor Briggs & Stratton con designación de orientación "F"**  
**(Modelo-Tipo-Orientación Representación xxxxxx xxxx Fx)** **Enero 2014**

El Consejo de Recursos del Aire de California, la EPA de los EE. UU. y Briggs & Stratton (B&S) le explican a continuación la garantía del sistema de control de emisiones de su motor o equipo modelo 2014 y 2015. En California, los motores pequeños todo terreno y los motores grandes encendidos por chispa de 1 litro o menos deben estar diseñados, contruidos y equipados para cumplir con las estrictas normas anticontaminación del estado. B&S debe garantizar el sistema de control de emisiones en su motor o equipo por los periodos de tiempo que se indican a continuación, siempre que no haya habido abuso, descuido o mantenimiento inapropiado en su motor o equipo.

El sistema de control de emisiones puede incluir piezas como el carburador o el sistema de inyección de combustible, el sistema de arranque y el convertidor catalítico. También puede incluir mangueras, correas, conectores, sensores y otros conjuntos relacionados con las emisiones. Su sistema de control de emisiones evaporatorias puede incluir piezas como: carburadores, tanques de combustible, mangueras de combustible, tapas de combustible, válvulas, recipientes, filtros, mangueras de vapor, abrazaderas, conectores y otros componentes asociados. Si se cumplen las condiciones de la garantía, B&S reparará el motor o equipo sin costo alguno, lo que incluye el diagnóstico, las piezas y la mano de obra.

**Cobertura de la garantía del fabricante:**

Los motores pequeños todo terreno los motores grandes de encendido por chispa de 1 litro o menos y cualquier componente de emisiones relacionado del equipo están bajo garantía por dos años.\* Si alguna pieza del motor o equipo B&S relacionada con las

emisiones estuviera defectuosa, B&S la reparará o sustituirá.

\* Dos años o por el periodo indicado en la cláusula de garantía del motor o producto respectivo, el que sea superior.

**Responsabilidades del propietario con respecto a la garantía:**

- Como propietario del motor o equipo, usted es responsable de llevar a cabo todas las operaciones de mantenimiento que se enumeran en el manual del operario. B&S recomienda conservar todos los recibos relativos al mantenimiento del motor o equipo, pero B&S no puede denegar la garantía basándose únicamente en la falta de recibos o en la imposibilidad por parte del propietario de asegurar la correcta realización de todas las operaciones de mantenimiento.
- Como propietario del motor o equipo, debe ser consciente de que B&S puede denegar la cobertura de la garantía si el motor o equipo o parte de él falla debido a un uso indebido, descuido, un mantenimiento inadecuado o modificaciones no autorizadas.
- Usted es responsable de presentar su motor o equipo a un centro de distribución de B&S, distribuidor autorizado de servicio u otra entidad equivalente, según corresponda, en el momento en que surja un problema. Las reparaciones cubiertas por la garantía se llevarán a cabo en un plazo razonable no superior a 30 días. En caso de tener preguntas sobre los derechos y responsabilidades relativos a la garantía, comuníquese con B&S al 1-800-444-7774 (en EE. UU.) o en BRIGGSandSTRATTON.COM.

**Disposiciones de la garantía de control de emisiones de Briggs & Stratton**

A continuación se detallan las disposiciones específicas relacionadas con la Cobertura de la garantía de control de emisiones. Se añaden a la garantía de motores de B&S para motores no regulados, que figura en el Manual del operario.

**1. Piezas relacionadas con emisiones bajo garantía**

La presente garantía cubre únicamente las piezas que se indican a continuación (piezas del sistema de control de emisiones) siempre que tales piezas estuvieran presentes en el motor de B&S o en el sistema de combustible que suministra B&S.

- a. Sistema de medición de combustible
  - Sistema de enriquecimiento para arranque en frío (estrangulador electrónico)
  - Carburador y piezas internas
  - Bomba de combustible
  - Mangueras de combustible, acoplamientos de las mangueras de combustible, abrazaderas
  - Tanque de combustible, tapón y traba
  - Recipiente de carbono
- b. Sistema de inducción de aire
  - Depurador de aire
  - Colector de admisión
  - Conducto de vaciado y ventilación
- c. Sistema de encendido
  - Bujías de encendido
  - Sistema de ignición magnético
- d. Sistema catalizador
  - Convertidor catalítico
  - Colector de escape
  - Sistema de inyección de aire o válvula de impulso
- e. Elementos varios usados en los sistemas anteriores
  - Válvulas e interruptores de vacío, temperatura y posición en función del tiempo
  - Conectores y conjuntos

**2. Duración de la cobertura**

Durante un periodo de dos años desde la fecha de compra original\*, B&S garantiza al propietario original y a todo propietario posterior que el motor está diseñado, fabricado y equipado conforme a la normativa vigente adoptada por el Air Resources Board; que no tiene defectos de materiales ni de mano de obra que provoquen el fallo de un componente cubierto; y que es idéntico en todos los aspectos materiales al motor descrito en la aplicación de certificación del fabricante. El periodo de garantía comienza en la fecha de adquisición original del motor.

\* Dos años o por el periodo indicado en la cláusula de garantía del motor o producto respectivo, el que sea superior.

La garantía sobre las piezas relacionadas con las emisiones es la siguiente:

- Todas las piezas cubiertas por la garantía que no se deban sustituir como parte del plan de mantenimiento obligatorio detallado en el manual del propietario entregado, quedarán cubiertas por la garantía durante el periodo de la garantía especificado anteriormente. Si alguna de estas piezas falla durante el periodo de cobertura de la garantía, B&S deberá repararla o sustituirla sin cargo alguno para el propietario. Las piezas que se reparen o sustituyan en virtud de la garantía estarán cubiertas por la garantía durante el periodo de garantía restante.
- Todas las piezas cubiertas por la garantía que solo se deban inspeccionar periódicamente según el manual del propietario entregado, quedarán cubiertas por la garantía durante el periodo de la garantía especificado anteriormente. Las piezas que se reparen o sustituyan en virtud de la garantía estarán cubiertas por la garantía durante el periodo de garantía restante.
- Las piezas cubiertas por la garantía que se deban sustituir como parte del plan de mantenimiento obligatorio detallado en el manual del propietario entregado, quedarán cubiertas por la garantía hasta el momento en que se indique que es necesario hacer la primera sustitución. Si la pieza falla antes de la fecha de la primera sustitución, B&S la reparará o sustituirá sin cargo alguno para el propietario. Las piezas que se reparen o sustituyan en virtud de la garantía estarán cubiertas por la garantía durante el periodo de garantía hasta llegar a la fecha de la primera sustitución.
- No se podrán utilizar piezas complementarias o modificadas no exentas por el Consejo de Recursos del Aire. Si el propietario usa piezas complementarias o modificadas no exentas, dará lugar a la anulación de la reclamación de garantía. El fabricante no será responsable de las fallas de piezas cubiertas por la garantía que se deban al uso de una pieza complementaria o modificada no exenta.

**3. Cobertura indirecta**

La cobertura se extenderá hasta la falla de cualquiera de los componentes del motor ocasionada por la falla de piezas relacionadas con emisión que se encuentren bajo garantía.

**4. Reclamos y exclusiones de la cobertura**

Las reclamaciones de garantía se presentarán de conformidad con las disposiciones de la política de garantía del motor de B&S. La cobertura no aplica a las fallas de piezas relacionadas con el sistema de emisiones cubiertas por la garantía que no sean originales de B&S ni a las fallas debidas a uso indebido, descuido o mantenimiento inadecuado, conforme a las disposiciones de la política de garantía de motores B&S. B&S no será responsable de la cobertura de la garantía de fallas de piezas relacionadas con el sistema de emisiones cubiertas por la garantía provocadas por el uso de componentes complementarios o modificados.

**Busque la información pertinente del periodo de durabilidad de emisiones y el índice de aire en la etiqueta de emisiones del motor pequeño todo terreno**

Los motores con certificación de cumplimiento de la normativa sobre emisiones de motores pequeños todo terreno del Consejo de Recursos del Aire de California (CARB) deben mostrar información sobre el periodo de durabilidad de las emisiones y el índice de aire. Briggs & Stratton ofrece esta información al consumidor mediante etiquetas de emisiones. La etiqueta de emisiones del motor contiene la información de certificación.

El **periodo de durabilidad de las emisiones** indica la cantidad de horas durante las cuales el motor puede funcionar cumpliendo las normas sobre emisiones, siempre que se realicen las operaciones de mantenimiento adecuadas de acuerdo con el manual del operario. Se utilizan las siguientes categorías:

**Moderado:**

Los motores con desplazamiento inferior a 80 cc o tienen certificación de conformidad de emisiones por 50 horas del tiempo real de funcionamiento. Los motores con un desplazamiento superior a 80 cc tienen certificación de conformidad de emisiones por 125 horas del tiempo real de funcionamiento.

**Intermedio:**

Los motores con desplazamiento inferior a 80 cc tienen certificación de conformidad de emisiones por 125 horas del tiempo real de funcionamiento del motor. Los motores con un desplazamiento superior a 80 cc tienen certificación de conformidad de emisiones por 250 horas del tiempo real de funcionamiento.

**Extendido:**

Los motores con desplazamiento inferior a 80 cc tienen certificación de conformidad de emisiones por 300 horas del tiempo real de funcionamiento del motor. Los motores con desplazamiento superior a 80 cc tienen certificación de conformidad de emisiones por 500 horas del tiempo real de funcionamiento del motor.

Por ejemplo, un cortacésped con operario a pie se suele utilizar entre 20 y 25 horas al año. Por lo tanto, el **periodo de durabilidad de las emisiones** de un motor con clasificación **intermedia** equivaldría entre 10 y 12 años.

Los motores Briggs & Stratton cuentan con la certificación de cumplimiento de la fase 2 o 3 de las normativas sobre emisiones de la Agencia de Protección del Medioambiente de los Estados Unidos (USEPA). El periodo de cumplimiento de la normativa sobre emisiones que figura en la etiqueta de cumplimiento de emisiones indica la cantidad de horas de funcionamiento durante las cuales el motor ha demostrado cumplir los requisitos federales sobre emisiones.

Para motores con un desplazamiento inferior a 80 cc:

Categoría C = 50 horas, Categoría B = 125 horas, Categoría A = 300 horas  
Para motores con desplazamiento superior a 80 cc y desplazamiento inferior a 225 cc:  
Categoría C = 125 horas, Categoría B = 250 horas, Categoría A = 500 horas  
Para motores con un desplazamiento superior a 225 cc:  
Categoría C = 250 horas, Categoría B = 500 horas, Categoría A = 1000 horas

# Declaración de garantía de control de emisiones de California, EPA de los EE. UU. y Briggs & Stratton Corporation

## Derechos y obligaciones de la garantía Para los modelos de motor Briggs & Stratton con designación de orientación "B" o "G" (Modelo-Tipo-Orientación Representación xxxxxx xxxx Bx o xxxxxx xxxx Gx)

Enero 2014

El Consejo de Recursos del Aire de California, la EPA de los EE. UU. y Briggs & Stratton (B&S) le explican a continuación la garantía del sistema de control de emisiones de su motor o equipo modelo 2014 y 2015. En California, los motores pequeños todo terreno y los motores grandes encendidos por chispa de 1 litro o menos deben estar diseñados, contruidos y equipados para cumplir con las estrictas normas anticontaminación del estado. B&S debe garantizar el sistema de control de emisiones en su motor o equipo por los periodos de tiempo que se indican a continuación, siempre que no haya habido abuso, descuido o mantenimiento inapropiado en su motor o equipo.

El sistema de control de emisiones puede incluir piezas como el carburador o el sistema de inyección de combustible, el sistema de arranque y el convertidor catalítico. También puede incluir mangueras, correas, conectores, sensores y otros conjuntos relacionados con las emisiones. Su sistema de control de emisiones evaporatorias puede incluir piezas como: carburadores, tanques de combustible, mangueras de combustible, tapas de combustible, válvulas, recipientes, filtros, mangueras de vapor, abrazaderas, conectores y otros componentes asociados. Si se cumplen las condiciones de la garantía, B&S reparará el motor o equipo sin costo alguno, lo que incluye el diagnóstico, las piezas y la mano de obra.

### Cobertura de la garantía del fabricante:

Los motores pequeños todo terreno los motores grandes de encendido por chispa de 1 litro o menos y cualquier componente de emisiones relacionado del equipo están bajo garantía por dos años.\* Si alguna pieza del motor o equipo B&S relacionada con las

emisiones estuviera defectuosa, B&S la reparará o sustituirá.

\* Dos años o por el periodo indicado en la cláusula de garantía del motor o producto respectivo, el que sea superior.

### Responsabilidades del propietario con respecto a la garantía:

- Como propietario del motor o equipo, usted es responsable de llevar a cabo todas las operaciones de mantenimiento que se enumeran en el manual del operario. B&S recomienda conservar todos los recibos relativos al mantenimiento del motor o equipo, pero B&S no puede denegar la garantía basándose únicamente en la falta de recibos o en la imposibilidad por parte del propietario de asegurar la correcta realización de todas las operaciones de mantenimiento.
- Como propietario del motor o equipo, debe ser consciente de que B&S puede denegar la cobertura de la garantía si el motor o equipo o parte de él falla debido a un uso indebido, descuido, un mantenimiento inadecuado o modificaciones no autorizadas.
- Usted es responsable de presentar su motor o equipo a un centro de distribución de B&S, distribuidor autorizado de servicio u otra entidad equivalente, según corresponda, en el momento en que surja un problema. Las reparaciones cubiertas por la garantía se llevarán a cabo en un plazo razonable no superior a 30 días. En caso de tener preguntas sobre los derechos y responsabilidades relativos a la garantía, comuníquese con B&S al 1-800-444-7774 (en EE. UU.) o en BRIGGSandSTRATTON.COM.

## Disposiciones de la garantía de control de emisiones de Briggs & Stratton

A continuación se detallan las disposiciones específicas relacionadas con la Cobertura de la garantía de control de emisiones. Se añaden a la garantía de motores de B&S para motores no regulados, que figura en el Manual del operario.

### 1. Piezas relacionadas con emisiones bajo garantía

La presente garantía cubre únicamente las piezas que se indican a continuación (piezas del sistema de control de emisiones) siempre que tales piezas estuvieran presentes en el motor de B&S o en el sistema de combustible que suministra B&S.

- a. Sistema de medición de combustible
  - Sistema de enriquecimiento para arranque en frío (estrangulador electrónico)
  - Carburador y piezas internas
  - Bomba de combustible
- b. Sistema de inducción de aire
  - Depurador de aire
  - Colector de admisión
- c. Sistema de encendido
  - Bujías de encendido
  - Sistema de ignición magnético
- d. Sistema catalizador
  - Convertidor catalítico
  - Colector de escape
  - Sistema de inyección de aire o válvula de impulso
- e. Elementos varios usados en los sistemas anteriores
  - Válvulas e interruptores de vacío, temperatura y posición en función del tiempo
  - Conectores y conjuntos

### 2. Duración de la cobertura

Durante un periodo de dos años desde la fecha de compra original\*, B&S garantiza al propietario original y a todo propietario posterior que el motor está diseñado, fabricado y equipado conforme a la normativa vigente adoptada por el Air Resources Board; que no tiene defectos de materiales ni de mano de obra que provoquen el fallo de un componente cubierto; y que es idéntico en todos los aspectos materiales al motor descrito en la aplicación de certificación del fabricante. El periodo de garantía comienza en la fecha de adquisición original del motor.

\* Dos años o por el periodo indicado en la cláusula de garantía del motor o producto respectivo, el que sea superior.

La garantía sobre las piezas relacionadas con las emisiones es la siguiente:

- Todas las piezas cubiertas por la garantía que no se deban sustituir como parte del plan de mantenimiento obligatorio detallado en el manual del propietario entregado, quedarán cubiertas por la garantía durante el periodo de la garantía especificado anteriormente. Si alguna de estas piezas falla durante el periodo de cobertura de la garantía, B&S deberá repararla o sustituirla sin cargo alguno para el propietario. Las piezas que se reparen o sustituyan en virtud de la garantía estarán cubiertas por la garantía durante el periodo de garantía restante.
- Todas las piezas cubiertas por la garantía que solo se deban inspeccionar periódicamente según el manual del propietario entregado, quedarán cubiertas por la garantía durante el periodo de la garantía especificado anteriormente. Las piezas que se reparen o sustituyan en virtud de la garantía estarán cubiertas por la garantía durante el periodo de garantía restante.
- Las piezas cubiertas por la garantía que se deban sustituir como parte del plan de mantenimiento obligatorio detallado en el manual del propietario entregado, quedarán cubiertas por la garantía hasta el momento en que se indique que es necesario hacer la primera sustitución. Si la pieza falla antes de la fecha de la primera sustitución, B&S la reparará o sustituirá sin cargo alguno para el propietario. Las piezas que se reparen o sustituyan en virtud de la garantía estarán cubiertas por la garantía durante el periodo de garantía hasta llegar a la fecha de la primera sustitución.
- No se podrán utilizar piezas complementarias o modificadas no exentas por el Consejo de Recursos del Aire. Si el propietario usa piezas complementarias o modificadas no exentas, dará lugar a la anulación de la reclamación de garantía. El fabricante no será responsable de las fallas de piezas cubiertas por la garantía que se deban al uso de una pieza complementaria o modificada no exenta.

### 3. Cobertura indirecta

La cobertura se extenderá hasta la falla de cualquiera de los componentes del motor ocasionada por la falla de piezas relacionadas con emisión que se encuentren bajo garantía.

### 4. Reclamos y exclusiones de la cobertura

Las reclamaciones de garantía se presentarán de conformidad con las disposiciones de la política de garantía del motor de B&S. La cobertura no aplica a las fallas de piezas relacionadas con el sistema de emisiones cubiertas por la garantía que no sean originales de B&S ni a las fallas debidas a uso indebido, descuido o mantenimiento inadecuado, conforme a las disposiciones de la política de garantía de motores B&S. B&S no será responsable de la cobertura de la garantía de fallas de piezas relacionadas con el sistema de emisiones cubiertas por la garantía provocadas por el uso de componentes complementarios o modificados.

## Busque la información pertinente del periodo de durabilidad de emisiones y el índice de aire en la etiqueta de emisiones del motor pequeño todo terreno

Los motores con certificación de cumplimiento de la normativa sobre emisiones de motores pequeños todo terreno del Consejo de Recursos del Aire de California (CARB) deben mostrar información sobre el periodo de durabilidad de las emisiones y el índice de aire. Briggs & Stratton ofrece esta información al consumidor mediante etiquetas de emisiones. La etiqueta de emisiones del motor contiene la información de certificación.

El **periodo de durabilidad de las emisiones** indica la cantidad de horas durante las cuales el motor puede funcionar cumpliendo las normas sobre emisiones, siempre que se realicen las operaciones de mantenimiento adecuadas de acuerdo con el manual del operario. Se utilizan las siguientes categorías:

#### Moderado:

Los motores con desplazamiento inferior a 80 cc o tienen certificación de conformidad de emisiones por 50 horas del tiempo real de funcionamiento. Los motores con un desplazamiento superior a 80 cc tienen certificación de conformidad de emisiones por 125 horas del tiempo real de funcionamiento.

#### Intermedio:

Los motores con desplazamiento inferior a 80 cc tienen certificación de conformidad de emisiones por 125 horas del tiempo real de funcionamiento del motor. Los motores con un desplazamiento superior a 80 cc tienen certificación de conformidad de emisiones por 250 horas del tiempo real de funcionamiento.

#### Extendido:

Los motores con desplazamiento inferior a 80 cc tienen certificación de conformidad de emisiones por 300 horas del tiempo real de funcionamiento del motor. Los motores con desplazamiento superior a 80 cc tienen certificación de conformidad de emisiones por 500 horas del tiempo real de funcionamiento del motor.

Por ejemplo, un cortacésped con operario a pie se suele utilizar entre 20 y 25 horas al año. Por lo tanto, el **periodo de durabilidad de las emisiones** de un motor con clasificación **intermedia** equivaldría entre 10 y 12 años.

Los motores Briggs & Stratton cuentan con la certificación de cumplimiento de la fase 2 o 3 de las normativas sobre emisiones de la Agencia de Protección del Medioambiente de los Estados Unidos (USEPA). El periodo de cumplimiento de la normativa sobre emisiones que figura en la etiqueta de cumplimiento de emisiones indica la cantidad de horas de funcionamiento durante las cuales el motor ha demostrado cumplir los requisitos federales sobre emisiones.

Para motores con un desplazamiento inferior a 80 cc:

Categoría C = 50 horas, Categoría B = 125 horas, Categoría A = 300 horas  
Para motores con desplazamiento superior a 80 cc y desplazamiento inferior a 225 cc:  
Categoría C = 125 horas, Categoría B = 250 horas, Categoría A = 500 horas  
Para motores con un desplazamiento superior a 225 cc:  
Categoría C = 250 horas, Categoría B = 500 horas, Categoría A = 1000 horas

## Informations générales

Ce manuel contient des informations concernant la sécurité visant à attirer l'attention des usagers sur les dangers et les risques associés aux moteurs. Il contient aussi des instructions d'utilisation et d'entretien appropriées à ce moteur. Briggs & Stratton Corporation ne sachant pas forcément sur quel équipement ce moteur est monté, il est important de lire et de comprendre ces instructions ainsi que celles concernant l'équipement utilisé. **Conserver ces instructions originales pour un usage ultérieur.** Pour obtenir des pièces de rechange ou une assistance technique, reporter ici les numéros de Modèle, Type et Code du moteur ainsi que la date d'achat. Ces numéros sont situés sur le moteur (voir la page **Caractéristiques et commandes**).

Date d'achat: \_\_\_\_\_

JJ/MM/AAAA

Modèle de moteur: \_\_\_\_\_

Modèle:

Type:

Code:

Rechercher le code-barres 2D placé sur certains moteurs. Lorsqu'il est lu par un lecteur 2D compatible, le code renvoie vers notre site internet sur lequel vous trouverez des informations pratiques sur le produit en question. En fonction des débits. Il se peut que ces informations soient indisponibles dans certains pays.



**Puissance du moteur:** La puissance brute pour chaque modèle de moteur à essence est indiquée conformément à la norme J1940 (procédure de calcul de la puissance et du couple des petits moteurs) de la SAE (Society of Automotive Engineers) et elle est définie selon SAE J1995. Les valeurs de couple sont calculées sur la base de 2600tr/min pour les moteurs avec les «tr/min» mentionnés sur l'étiquette et de 3060tr/min pour les autres; les valeurs de puissance sont calculées sur la base de 3600tr/min. Les courbes de puissance brute sont disponibles sur [www.BRIGGSandSTRATTON.COM](http://www.BRIGGSandSTRATTON.COM). Les valeurs nettes de puissance sont établies avec l'échappement et le filtre à air installés tandis que les valeurs brutes de puissance sont définies sans ces accessoires. La puissance brute réelle du moteur sera supérieure à la puissance nette et est influencée notamment par les conditions ambiantes de fonctionnement et les variations d'un moteur à l'autre. Compte tenu de la grande variété de machines sur lesquelles nos moteurs sont utilisés, il se peut que le moteur à essence ne développe pas sa puissance brute théorique une fois qu'il est monté sur une machine particulière. Cette différence s'explique par un grand nombre de facteurs, tels que (liste non limitative), les accessoires du moteur (filtre à air, échappement, admission, refroidissement, carburateur, pompe à essence, etc.), les limites d'utilisation, les conditions ambiantes d'utilisation (température, humidité, altitude) et les variations d'un moteur à l'autre. Pour des raisons de fabrication et de capacité limitées, Briggs & Stratton est susceptible de remplacer un moteur par une version plus puissante pour ce moteur.

## Sécurité de l'utilisateur

### SYMBOLES DE SÉCURITÉ ET DE COMMANDE



Le symbole d'alerte de sécurité est utilisé pour identifier des informations sur des risques qui peuvent entraîner des blessures. Un mot (DANGER, AVERTISSEMENT, ATTENTION) est utilisé avec le symbole d'alerte pour indiquer le risque de blessure. En outre, un signal de danger peut être utilisé pour représenter le type de risque.

**DANGER** indique un risque qui, s'il n'est pas éliminé, **entraînera la mort ou des blessures très graves.**

**AVERTISSEMENT** indique un risque qui, s'il n'est pas éliminé, **pourrait entraîner la mort ou des blessures très graves.**

**ATTENTION** indique un risque qui, s'il n'est pas éliminé, **pourrait entraîner des blessures mineures ou légères.**

**AVIS** indique une situation qui **pourrait endommager l'appareil.**

### **AVERTISSEMENT**

Certains composants de ce produit et de ses accessoires contiennent des produits chimiques connus dans l'Etat de Californie pour provoquer des cancers et des troubles de la procréation. Se laver les mains après chaque manipulation.

### **AVERTISSEMENT**

Les gaz d'échappement de ce moteur contiennent des substances chimiques pouvant causer des cancers, des malformations fœtales ou d'autres problèmes de fécondation.

### **AVERTISSEMENT**

Les moteurs Briggs & Stratton ne sont pas conçus et ne doivent pas être utilisés pour alimenter les karts de loisir, les véhicules tout-terrain à destination des enfants ou usage récréatif ou sportif, les motocyclettes, les aéroglisseurs, les aéroplanes ou les véhicules utilisés au cours de compétitions non approuvées par Briggs & Stratton. Pour plus d'informations sur les produits destinés à la compétition, prière de consulter [www.briggsracing.com](http://www.briggsracing.com). Pour une utilisation avec les véhicules tout-terrain utilitaires et biplace côte à côte (SSV), prière de contacter Briggs & Stratton Engine Application Center, 1-866-927-3349. Une application inappropriée du moteur peut entraîner des blessures graves ou mortelles.

**AVIS:** Ce moteur a été expédié par Briggs & Stratton sans huile. Avant de le démarrer, s'assurer d'avoir fait le plein d'huile selon les instructions de ce manuel. Si le moteur est démarré sans huile, il sera endommagé irrémédiablement et ne sera pas couvert par la garantie.



## AVERTISSEMENT



**Le combustible et ses vapeurs sont extrêmement inflammables et explosifs.**



**Un incendie ou une explosion peut entraîner des blessures graves ou même la mort.**

### Pour faire le plein

- Couper le moteur et le laisser refroidir au moins 2 minutes avant d'ouvrir le bouchon du réservoir.
- Remplir le réservoir de carburant à l'extérieur ou dans un local extrêmement bien ventilé.
- Ne pas trop remplir le réservoir. Pour permettre la dilatation du carburant, ne pas remplir plus haut que le bas du col du réservoir.
- Maintenir le carburant à l'écart des étincelles, des flammes directes, des veilleuses, de la chaleur et des autres sources d'étincelles.
- Contrôler que les durites, le réservoir, le bouchon et les raccords de carburant ne présentent ni fissures ni fuites. Remplacer si nécessaire.
- Si du carburant a été renversé, attendre son évaporation complète avant de démarrer le moteur.

### Pour démarrer le moteur

- S'assurer que la bougie, le bouchon du réservoir de carburant et le filtre à air sont le cas échéant montés et solidement fixés.
- Ne pas faire tourner le moteur avec la bougie enlevée.
- Si le moteur est noyé, placer le starter (le cas échéant) sur OPEN/RUN, amener l'accélérateur sur FAST et lancer le moteur jusqu'à ce qu'il démarre.

### Lors de l'utilisation de l'équipement

- Ne pas faire basculer le moteur ou l'équipement au-delà d'un angle qui provoquerait le renversement du carburant.
- Ne pas actionner le starter pour arrêter le moteur.
- Ne pas démarrer ou faire fonctionner un moteur sans filtre à air ou avec le filtre à air enlevé (le cas échéant).

### Vidange d'huile

- Pour vidanger l'huile du tube de remplissage, le réservoir de carburant doit être vide. Le carburant risque sinon de couler et de provoquer un incendie ou une explosion.

### En cas de basculement de l'unité pour l'entretien

- S'il est nécessaire de basculer l'unité au cours de l'entretien, le réservoir de carburant doit être vide, sinon le carburant risque sinon de couler et de provoquer un incendie ou une explosion.

### Pour transporter l'équipement

- Transporter avec le réservoir de carburant VIDE et le robinet de carburant en position FERMÉE.

### Pour stocker du carburant ou l'équipement avec un réservoir plein

- Les ranger loin des chaudières, cuisinières, chauffe-eau ou tout autre appareil comportant une veilleuse ou une source susceptible de produire une étincelle, car ils pourraient enflammer les vapeurs de carburant.



## AVERTISSEMENT



**Le démarrage du moteur produit des étincelles.**



**Les étincelles peuvent enflammer les gaz inflammables à proximité. Ceci pourrait provoquer une explosion ou un incendie.**

- S'il y a une fuite de gaz naturel ou de GPL à proximité, ne pas démarrer le moteur.
- Ne pas utiliser de liquides de démarrage sous pression car leurs vapeurs sont inflammables.



## AVERTISSEMENT



**La rétraction rapide de la corde de lanceur (retour brutal) tirera votre main et votre bras vers le moteur beaucoup plus vite que vous ne pourriez les laisser partir.**

**Ceci pourrait entraîner des fêlures, des fractures, des ecchymoses ou des foulures.**

- Pour démarrer le moteur, tirer lentement sur la corde jusqu'à sentir une résistance et tirer alors rapidement afin d'éviter l'effet de rétraction.
- Retirer tout équipement extérieur/charge avant de démarrer le moteur.
- Les composants directement couplés à l'équipement, tels que lames, turbines, poulies, engrenages, etc. sans que cette liste soit limitative, devront être fermement arrimés.



## AVERTISSEMENT



**RISQUE DE GAZ TOXIQUE.** Les gaz d'échappement du moteur contiennent du monoxyde de carbone, un gaz toxique qui peut tuer en quelques minutes. Ce gaz est INVISIBLE, SANS odeur et SANS goût. Une personne peut être exposée au monoxyde de carbone même si elle ne sent pas de gaz d'échappement. Dès les premiers signes de nausées, étourdissements ou faiblesses en cours d'utilisation, arrêter le produit et sortir IMMÉDIATEMENT à l'air frais. Consulter un médecin. Il peut s'agir d'une intoxication au monoxyde de carbone.

- Faire fonctionner ce produit UNIQUEMENT à l'écart des fenêtres, portes et ventilations afin de réduire le risque que le monoxyde de carbone ne s'accumule et ne pénètre dans les espaces occupés.
- Installer des alarmes de monoxyde de carbone fonctionnant sur piles ou sur secteur avec pile de secours conformément aux instructions du fabricant. Les détecteurs de fumée ne peuvent pas détecter le monoxyde de carbone.
- NE PAS faire fonctionner ce produit à l'intérieur des maisons, garages, caves, vides sanitaires, cabanes ou autres lieux partiellement fermés même si des ventilateurs sont utilisés ou si portes et fenêtres sont ouvertes pour créer une ventilation. Le monoxyde de carbone peut rapidement s'accumuler dans ces espaces et y stagner pendant des heures, même après extinction de ce produit.
- Placer SYSTÉMATIQUEMENT ce produit dans la direction du vent et diriger les gaz d'échappement du moteur à l'écart des espaces occupés.



## AVERTISSEMENT



**Les pièces en rotation peuvent toucher ou saisir les mains, les pieds, les cheveux, les vêtements ou les accessoires.**

**Le résultat peut en être une amputation ou une lacération grave.**

- Ne faire fonctionner l'équipement qu'avec les protections en place.
- Ne pas approcher les mains ou les pieds des pièces en mouvement.
- Attacher les cheveux longs et retirer les bijoux.
- Ne pas porter de vêtements amples, de ceintures larges pendantes ou tout vêtement pouvant être saisi.



## AVERTISSEMENT



**Un moteur en marche produit de la chaleur. Les pièces du moteur, et plus particulièrement le silencieux, deviennent extrêmement chaudes.**

**Les toucher peut provoquer des brûlures sévères.**



**Les débris combustibles comme les feuilles, l'herbe, les broussailles peuvent s'enflammer.**

- Laisser le silencieux, le cylindre du moteur et les ailettes refroidir avant de les toucher.
- Retirer les débris accumulés autour du silencieux et du cylindre.
- La Section 4442 du California Public Resource Code (Code des ressources publiques de Californie) interdit l'utilisation ou le fonctionnement du moteur dans des espaces recouverts de forêts, de broussailles ou d'herbe sauf si le système d'échappement est équipé d'un pare-étincelles, tel que défini dans la Section 4442, en bon état de fonctionnement. D'autres états ou juridictions fédérales peuvent appliquer des lois similaires. Contacter le fabricant, le distributeur ou le fournisseur d'origine de l'équipement pour obtenir un pare-étincelles conçu pour le système d'échappement installé sur ce moteur.



## AVERTISSEMENT



**Une étincelle accidentelle peut provoquer un incendie ou un choc électrique.**



**Un démarrage accidentel peut causer un étranglement, l'amputation ou la lacération d'un membre.**



**Risque d'incendie**

### Avant d'effectuer des réglages ou des réparations

- Débrancher le fil de bougie et l'attacher à bonne distance de la bougie.
- Débrancher le câble Négatif de la batterie (seulement pour les moteurs à démarrage électrique).
- N'utiliser que les outils corrects.
- Ne pas modifier les ressorts du régulateur, les tringles et autres pièces pour augmenter le régime du moteur.
- Les pièces de rechange doivent être strictement identiques et être installées dans la même position que les pièces d'origine. Des pièces autres risquent de ne pas fonctionner aussi bien, d'endommager l'unité et d'entraîner des blessures.
- Ne pas taper sur le volant moteur avec un marteau ou un objet dur cela pourrait entraîner une rupture ultérieure du volant pendant que le moteur fonctionne.

### Contrôle de l'étincelle

- Utiliser un contrôleur homologué.
- Ne pas contrôler l'étincelle avec la bougie retirée.

# Caractéristiques et commandes

Comparer l'illustration **1** avec votre moteur pour vous familiariser avec l'emplacement des différents composants et commandes.

## A. Identification du moteur

**Modèle Type Code**

- B. Bougie
- C. Starter
- D. Amorceur
- E. Robinet d'alimentation d'essence
- F. Poignée du lanceur
- G. Protège-mains
- H. Réservoir d'essence avec son bouchon
- I. Jauge à huile/remplissage
- J. Bouchon de vidange d'huile
- K. Silencieux  
Protection du silencieux (dans certains cas)  
Déflecteur du silencieux
- L. Clé de sécurité (en option) \*
- M. Bouton du démarreur électrique
- N. Capot à neige
- O. Prise murale pour câble d'alimentation - 120 Volts
- P. Prise murale pour câble d'alimentation - 230 Volts
- Q. Démarreur électrique
- R. Commande d'accélérateur (en option) \*
- S. Clé (en option) \*

\* Certains moteurs et équipements disposent de commandes à distance. Consulter le manuel de l'équipement concernant l'emplacement et le fonctionnement de ces commandes.

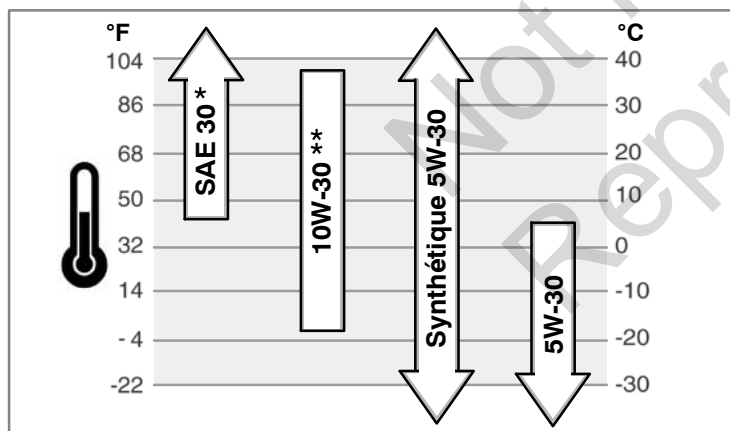
# Fonctionnement

Capacité d'huile (voir la section **Spécifications**)

## Recommandations concernant l'huile

Nous recommandons l'utilisation des huiles certifiées par Briggs & Stratton pour obtenir les meilleures performances. D'autres huiles détergentes de qualité sont acceptables si elles sont classées SF, SG, SH, SJ ou au-delà. Ne pas utiliser d'additifs.

La température extérieure détermine la viscosité de l'huile moteur. Utiliser le tableau pour sélectionner la viscosité qui convient à la température extérieure prévue.



\* L'emploi d'huile SAE 30 au-dessous de 4°C (40°F) rend le démarrage difficile.

\*\* L'utilisation d'une huile 10W-30 à des températures supérieures à 27°C (80°F) entraînera une consommation d'huile supérieure à la normale. Vérifier le niveau d'huile plus souvent.

## Vérification/Plein d'huile - Figure 2

Avant de vérifier ou de faire le plein d'huile

- Mettre le moteur de niveau.
  - Nettoyer le pourtour de l'orifice de remplissage de tout débris.
1. Sortir la jauge (C) et la nettoyer avec un chiffon propre.
  2. Mettre la jauge et la serrer.
  3. Retirer la jauge et vérifier le niveau. L'huile doit être au ras de l'indicateur de niveau maximum (D) de la jauge.
  4. Pour refaire le niveau, verser l'huile (B). **Ne pas trop remplir.** Après avoir versé l'huile, attendre une minute et revérifier le niveau.
  5. Remettre la jauge et la serrer.

## Système de détection de niveau d'huile bas (le cas échéant)

Certains moteurs sont équipés d'un capteur de niveau d'huile bas. Si le niveau d'huile est bas, le capteur active un témoin lumineux ou arrête le moteur. Éteindre le moteur et suivre les étapes suivantes avant de redémarrer le moteur.

- S'assurer que le moteur est horizontal.
- Vérifier le niveau d'huile. Voir la section **Vérification/Plein d'huile**.
- Si le niveau d'huile est bas, ajouter la quantité d'huile adéquate. Démarrer le moteur et s'assurer que le témoin lumineux (le cas échéant) n'est pas allumé.
- Si le niveau d'huile n'est pas bas, **ne pas démarrer** le moteur. Contacter un Réparateur Agréé Briggs & Stratton pour corriger le problème lié à l'huile.

## Recommandations concernant le carburant

Le carburant doit répondre aux critères suivants:

- Essence fraîche, propre, sans plomb.
- Un indice minimum d'octane de 87/87 AKI (91 RON). En cas d'utilisation en altitude, voir ci-après.
- L'essence contenant jusqu'à 10% d'éthanol (bioéthanol) est acceptable.

**ATTENTION:** ne pas utiliser d'essence non approuvée, comme la E15 et la E85. Ne pas mélanger d'huile à l'essence ni modifier le moteur pour fonctionner avec des carburants alternatifs. L'utilisation de carburants non autorisés endommagera les éléments du moteur et ne sera pas couverte par la garantie.

Pour protéger le système d'admission d'essence contre la formation de gomme, mélanger un stabilisateur à l'essence. Voir le **stockage**. Tous les carburants ne sont pas les mêmes. En cas de difficultés à démarrer ou de problèmes de fonctionnement, changer de fournisseur ou de marque d'essence. Ce moteur est certifié pour fonctionner à l'essence. Le système de contrôle des émissions de ce moteur est EM (Modifications Moteur).

## Haute altitude

À des altitudes supérieures à 1524mètres, une essence ayant un indice minimum de 85 octane/85 AKI (89 RON) est acceptable. Pour rester conforme aux normes d'émissions, un réglage pour haute altitude est nécessaire. Le fonctionnement sans effectuer ce réglage entraîne une réduction de la performance et une augmentation de la consommation d'essence et des émissions. Consulter un Réparateur Agréé Briggs & Stratton pour plus d'informations sur le réglage pour haute altitude.

Le fonctionnement du moteur à une altitude inférieure à 762mètres avec le réglage haute altitude n'est pas recommandé.

## Plein d'essence - Figure 3



### AVERTISSEMENT



Le combustible et ses vapeurs sont extrêmement inflammables et explosifs.



Un incendie ou une explosion peut entraîner des blessures très graves ou même la mort.

### Pour faire le plein

- Couper le moteur et le laisser refroidir au moins 2 minutes avant d'ouvrir le bouchon du réservoir.
- Remplir le réservoir de carburant à l'extérieur ou dans un local extrêmement bien ventilé.
- Ne pas trop remplir le réservoir. Pour permettre la dilatation du carburant, ne pas remplir plus haut que le bas du col du réservoir.
- Maintenir le carburant à l'écart des étincelles, des flammes directes, des veilles, de la chaleur et des autres sources d'étincelles.
- Contrôler que les durites, le réservoir, le bouchon et les raccords de carburant ne présentent ni fissures ni fuites. Remplacer si nécessaire.
- Si du carburant a été renversé, attendre son évaporation complète avant de démarrer le moteur.

1. Enlever la poussière et les débris sur le pourtour du bouchon d'essence. Retirer le bouchon d'essence (A) (Figure 3).
2. Faire le plein (B) de carburant. Pour permettre la dilatation du carburant, ne pas remplir au-delà du bas du col de remplissage (C).
3. Remettre le bouchon du réservoir en place.

## Démarrage du moteur - Figure 4 5



### AVERTISSEMENT



La rétraction rapide de la corde de lanceur (retour brutal) tirera votre main et votre bras vers le moteur beaucoup plus vite que vous ne pourrez les laisser partir.

Ceci pourrait entraîner des fêlures, des fractures, des ecchymoses ou des foulures.

- Pour démarrer le moteur, tirer lentement sur la corde jusqu'à sentir une résistance et tirer alors rapidement afin d'éviter l'effet de rétraction.
- Retirer tout équipement extérieur/charge avant de démarrer le moteur.
- Les composants directement couplés à l'équipement, tels que lames, turbines, poulies, engrenages, etc. sans que cette liste soit limitative, devront être fermement arrimés.





## AVERTISSEMENT



**Le combustible et ses vapeurs sont extrêmement inflammables et explosifs.**



**Un incendie ou une explosion peut entraîner des blessures très graves ou même la mort.**

### Pour démarrer le moteur

- S'assurer que la bougie, le bouchon du réservoir de carburant et le filtre à air sont le cas échéant montés et solidement fixés.
- Ne pas faire tourner le moteur avec la bougie enlevée.
- Si le moteur est noyé, placer le starter (le cas échéant) sur OPEN/RUN, amener l'accélérateur sur FAST et lancer le moteur jusqu'à ce qu'il démarre.



## AVERTISSEMENT



**RISQUE DE GAZ TOXIQUE. Les gaz d'échappement du moteur contiennent du monoxyde de carbone, un gaz toxique qui peut tuer en quelques minutes. Ce gaz est INVISIBLE, SANS odeur et SANS goût. Une personne peut être exposée au monoxyde de carbone même si elle ne sent pas de gaz d'échappement. Dès les premiers signes de nausées, étourdissements ou faiblesses en cours d'utilisation, arrêter le produit et sortir IMMÉDIATEMENT à l'air frais. Consulter un médecin. Il peut s'agir d'une intoxication au monoxyde de carbone.**

- Faire fonctionner ce produit UNIQUEMENT à l'écart des fenêtres, portes et ventilations afin de réduire le risque que le monoxyde de carbone ne s'accumule et ne pénètre dans les espaces occupés.
- Installer des alarmes de monoxyde de carbone fonctionnant sur piles ou sur secteur avec pile de secours conformément aux instructions du fabricant. Les détecteurs de fumée ne peuvent pas détecter le monoxyde de carbone.
- NE PAS faire fonctionner ce produit à l'intérieur des maisons, garages, caves, vides sanitaires, cabanes ou autres lieux partiellement fermés même si des ventilateurs sont utilisés ou si portes et fenêtres sont ouvertes pour créer une ventilation. Le monoxyde de carbone peut rapidement s'accumuler dans ces espaces et y stagner pendant des heures, même après extinction de ce produit.
- Placer SYSTÉMATIQUEMENT ce produit dans la direction du vent et diriger les gaz d'échappement du moteur à l'écart des espaces occupés.



## AVERTISSEMENT



**Une étincelle accidentelle peut provoquer un incendie ou un choc électrique.**



**Un démarrage accidentel peut causer un étranglement, l'amputation ou la lacération d'un membre.**



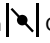


**Risque d'incendie**

- Utiliser une rallonge avec fil de terre (3 fils).
- Brancher d'abord la rallonge au connecteur du démarreur électrique puis dans la prise murale. Si une rallonge supplémentaire est nécessaire, utiliser une rallonge à 3 fils.
- Si la rallonge est endommagée, elle doit être remplacée par le fabricant, un Réparateur Agréé ou toute autre personne qualifiée pour éviter tout risque.

**AVIS:** ce moteur a été livré par Briggs & Stratton sans huile. Avant de démarrer le moteur, faire le plein d'huile selon les instructions de ce manuel. Si on démarre le moteur sans huile, il sera endommagé sans possibilité de réparation et ne sera pas couvert par la garantie.

**Remarque:** Certains moteurs et équipements disposent de commandes à distance. Consulter le manuel de l'équipement concernant l'emplacement et le fonctionnement de ces commandes.

1. Vérifier le niveau d'huile. Voir la section **Vérification du niveau d'huile**.
2. S'assurer que les commandes d'entraînement de l'équipement sont débrayées.
3. Mettre le levier de commande d'accélérateur (B), si l'appareil en est équipé, sur la position FAST  (Figure 4). Faire toujours fonctionner le moteur avec le levier de commande d'accélérateur sur FAST.
4. Mettre le robinet d'essence (A), s'il existe, sur la position ON (Figure 4).
5. Introduire la clé (C), le cas échéant, et la tourner vers la position on/start .
  - ou
  - Enfoncer la clé de sécurité (D), le cas échéant.
6. Tourner le bouton du starter (J) sur la position  CHOKE.
 

**Remarque:** Le starter est généralement superflu pour redémarrer un moteur chaud.
7. Enfoncer la poire d'amorçage (F) deux fois. Voir Figure 4.
 

**Remarque:** L'amorçage est généralement superflu pour redémarrer un moteur chaud.

8. **Démarré par lanceur:** prendre solidement en main la poignée du lanceur (G, Figure 4). Tirer lentement sur la corde jusqu'à sentir une résistance, puis tirer rapidement.

**Remarque:** Si le moteur ne démarre pas après plusieurs tentatives, consulter le site **BRIGGSandSTRATTON.COM** ou appeler le **1-800-233-3723** (aux États-Unis).



**AVERTISSEMENT:** La rétraction rapide de la corde de lanceur (retour brutal) tirera la main et le bras de l'opérateur vers le moteur beaucoup plus vite qu'il ne pourra les laisser partir. Ceci pourrait entraîner des fêlures, des fractures, des ecchymoses ou des foulures. Pour démarrer le moteur, tirer lentement sur la corde jusqu'à sentir une résistance et tirer alors rapidement afin d'éviter l'effet de rétraction.

9. **Démarré électrique:** brancher d'abord la rallonge au connecteur du démarreur électrique (H, 120 Volts) ou (K, 230 Volts) puis dans la prise murale. Voir Figure 5. Si une rallonge supplémentaire est nécessaire, s'assurer d'utiliser une rallonge à 3 fils mise à la terre.



**AVERTISSEMENT:** Si la rallonge est endommagée, elle doit être remplacée par le fabricant, un Réparateur Agréé ou toute autre personne qualifiée pour éviter tout risque.

10. **Démarré électrique:** appuyer sur le bouton (I). Quand le moteur a démarré, débrancher d'abord la rallonge de la prise murale, puis du connecteur du démarreur électrique (H, K).

**Remarque:** Si le moteur ne démarre pas après plusieurs tentatives, consulter le site **BRIGGSandSTRATTON.COM** ou appeler le **1-800-233-3723** (aux États-Unis).

**AVIS:** pour préserver la longévité du démarreur, utiliser des séquences de démarrage courtes (pas plus de cinq secondes). Attendre une minute et recommencer.

11. Laisser le moteur chauffer pendant plusieurs minutes. Puis ramener le starter en position RUN .

## Arrêt du moteur - Figure 6



## AVERTISSEMENT






**Le combustible et ses vapeurs sont extrêmement inflammables et explosifs.**



**Un incendie ou une explosion peut entraîner des blessures très graves ou même la mort.**

- Ne pas actionner le starter pour arrêter le moteur.

1. Tourner la clé (C), si présente, sur la position off  (Figure 6).
  - ou
  - Retirer la clé de sécurité (D), le cas échéant.
  - ou
  - Placer le levier de commande d'accélérateur (B), si présent, sur la position slow  puis sur la position stop .
2. Enlever la clé (C, D). La maintenir hors de portée des enfants.
3. Une fois le moteur arrêté, couper le robinet d'admission d'essence (A).

## Entretien

Il est recommandé de consulter un Réparateur Agréé Briggs & Stratton pour tout l'entretien du moteur et l'acquisition de pièces.


**AVIS:** Tous les composants de ce moteur doivent rester à leur place d'origine pour que le moteur fonctionne correctement.





**AVERTISSEMENT:** S'il est nécessaire de basculer l'unité au cours de l'entretien, le réservoir de carburant doit être vide, sinon le carburant risque sinon de couler et de provoquer un incendie ou une explosion.


## Contrôle des émissions


**L'entretien, le remplacement ou la réparation des dispositifs et des systèmes de contrôle des émissions gazeuses peut être effectué par tout établissement ou individu spécialisé dans la réparation des moteurs autres que les moteurs automobiles.** Néanmoins, pour que les réparations soient prises en charge par Briggs & Stratton au titre de la garantie, l'intervention doit être effectuée par un Réparateur Agréé. Voir la garantie des émissions.

 **AVERTISSEMENT**

 Une étincelle accidentelle peut provoquer un incendie ou un choc électrique.

 Un démarrage accidentel peut causer un étranglement, l'amputation ou la lacération d'un membre.

 Risque d'incendie

 Avant d'effectuer des réglages ou des réparations

- Débrancher le fil de bougie et l'attacher à bonne distance de la bougie.
- Débrancher le câble Négatif de la batterie (seulement pour les moteurs à démarrage électrique).
- N'utiliser que les outils corrects.
- Ne pas modifier les ressorts du régulateur, les tringles et autres pièces pour augmenter le régime du moteur.
- Les pièces de rechange doivent être strictement identiques et être installées dans la même position que les pièces d'origine. Des pièces autres risquent de ne pas fonctionner aussi bien, d'endommager l'unité et d'entraîner des blessures.
- Ne pas taper sur le volant moteur avec un marteau ou un objet dur cela pourrait entraîner une rupture ultérieure du volant pendant que le moteur fonctionne.

**Contrôle de l'étincelle**

- Utiliser un contrôleur homologué.
- Ne pas contrôler l'étincelle avec la bougie retirée.

## Tableau d'entretien

Après les 5 premières heures
<ul style="list-style-type: none"> <li>• Vidanger l'huile</li> </ul>
Toutes les 8 heures ou chaque jour
<ul style="list-style-type: none"> <li>• Vérifier le niveau d'huile du moteur</li> </ul>
Toutes les 50 heures et au minimum une fois par an
<ul style="list-style-type: none"> <li>• Vidanger l'huile</li> <li>• Vérifier la protection de silencieux et le silencieux</li> </ul>
Une fois par an
<ul style="list-style-type: none"> <li>• Remplacer la bougie</li> <li>• Contrôler le jeu des soupapes *</li> </ul>

\* Pas indispensable sauf en cas de problèmes de performances.

## Réglage du carburateur et du régime moteur

Ne jamais procéder aux ajustements du carburateur ou du régime. Le carburateur a été réglé en usine pour fonctionner de manière efficace dans la plupart des conditions. Ne pas modifier les ressorts du régulateur, les tringles et autres pièces pour augmenter le régime du moteur. Si des ajustements sont nécessaires, contacter un Réparateur Agréé Briggs & Stratton.

**AVIS:** le fabricant de l'équipement spécifie la vitesse maximum pour le moteur tel qu'installé sur l'équipement. **Ne pas dépasser** cette vitesse. En cas de doute concernant la vitesse maximum de l'équipement ou le régime moteur réglé en usine, contacter un Réparateur Agréé Briggs & Stratton pour obtenir de l'aide. Pour un fonctionnement sûr et approprié de l'équipement, le régime moteur ne doit être ajusté que par un technicien de service qualifié.

## Remplacement de la bougie - Figure 7

Vérifier l'écartement des électrodes (A, Figure 7) avec une jauge (B). Le cas échéant, régler l'écartement. Remonter et serrer la bougie au couple recommandé. L'écartement et le couple de serrage sont indiqués dans la section **Spécifications**.

*Remarque:* dans certains pays, la législation impose l'emploi de bougies à résistance pour supprimer les parasites de l'allumage. Si ce moteur était équipé d'une bougie avec résistance, utiliser le même type de bougie lors de son remplacement.


## Accès à la bougie - Figure 8 9


Pour accéder à la bougie, le capot à neige doit être enlevé comme suit:


1. Enlever la clé (A, B, Figure 8). La maintenir hors de portée des enfants.
2. Saisir le bouton du starter (J) et le tirer vers le haut pour l'enlever.
3. Enlever les vis de fixation (C).

4. Démontez avec précaution la partie supérieure du capot à neige (D, Figure 9). Ne pas déconnecter le tuyau de l'amorceur (E), si présent, ou le fil de contact de la clé (F).
5. La bougie (G) est désormais accessible.
6. Avant de remonter le capot à neige, s'assurer que le tuyau de l'amorceur, si présent, et le fil de contact de la clé sont connectés.
7. Monter la partie supérieure du capot à neige sur la base de ce dernier (H). Veiller à ce qu'elle s'enclenche sur la base. Fixer à l'aide des vis de fixation.
8. Aligner les encoches du bouton du starter avec les taquets de la bielle du starter (I) puis enfoncer pour mettre en place. Si le bouton n'est pas installé correctement, le starter ne fonctionnera pas.
9. N'installer la clé que lorsque l'on est prêt à démarrer le moteur.

## Inspecter le silencieux et le pare-étincelles - Figure 10


 **AVERTISSEMENT**

 Un moteur en marche produit de la chaleur. Les pièces du moteur, et plus particulièrement le silencieux, deviennent extrêmement chaudes. Les toucher peut provoquer des brûlures sévères.

 Les débris combustibles comme les feuilles, l'herbe, les broussailles peuvent s'enflammer.

- Laisser le silencieux, le cylindre du moteur et les ailettes refroidir avant de les toucher.
- Retirer les débris accumulés autour du silencieux et du cylindre.
- La Section 4442 du California Public Resource Code (Code des ressources publiques de Californie) interdit l'utilisation ou le fonctionnement du moteur dans des espaces recouverts de forêts, de broussailles ou d'herbe sauf si le système d'échappement est équipé d'un pare-étincelles, tel que défini dans la Section 4442, en bon état de fonctionnement. D'autres états ou juridictions fédérales peuvent appliquer des lois similaires. Contacter le fabricant, le distributeur ou le fournisseur d'origine de l'équipement pour obtenir un pare-étincelles conçu pour le système d'échappement installé sur ce moteur.

Retirer les débris accumulés autour du silencieux et du cylindre. Inspecter le silencieux (A, Figure 10) à la recherche de fissures, de corrosion ou autre dommage. Enlever le pare-étincelles (B), le cas échéant, et inspecter s'il est endommagé ou obstrué par des dépôts de carbone. En présence de pièces endommagées, les remplacer avant toute utilisation.

 **AVERTISSEMENT:** Les pièces de rechange doivent être strictement identiques et être installées dans la même position que les pièces d'origine. Des pièces autres risquent de ne pas fonctionner aussi bien, d'endommager l'unité et d'entraîner des blessures.

## Filtre à air

Ce moteur n'est pas équipé de filtre à air. **NE PAS utiliser ce moteur pour autre chose que pour le déblaiement de la neige.**

## Changement d'huile - Figure 2 11

l'huile usée est un produit dangereux dont on doit se débarrasser correctement. Ne pas la jeter avec les ordures ménagères. Vérifier le lieu de collecte ou de recyclage avec les autorités locales, le centre de services ou le concessionnaire.

## Vidange de l'huile

1. Quand le moteur est arrêté mais encore chaud, débrancher le fil de bougie (A) et l'éloigner de la bougie (Figure 11).  
*Note:* pour accéder au fil de bougie, enlever d'abord le capot à neige du moteur. Voir **Accès à la bougie**.
2. Enlever le bouchon de vidange (E, Figure 2). Vidanger l'huile dans un récipient approuvé.
3. Quand toute l'huile a été vidangée, remettre le bouchon de vidange et le serrer.

## Faire le plein d'huile

- Mettre le moteur de niveau.
  - Nettoyer le pourtour de l'orifice de remplissage de tout débris.
  - Voir la section **Spécifications** pour connaître la capacité en huile.
1. Sortir la jauge (C, Figure 2) et la nettoyer avec un chiffon propre.
  2. Verser lentement l'huile dans l'orifice de remplissage (B). **Ne pas trop remplir.** Après avoir fait le plein, attendre une minute et vérifier le niveau d'huile.
  3. Remettre la jauge et la serrer.
  4. Retirer la jauge et vérifier le niveau. L'huile doit être au ras de l'indicateur de niveau maximum (D) de la jauge.
  5. Remettre la jauge et la serrer.

## Stockage



### AVERTISSEMENT



Le combustible et ses vapeurs sont extrêmement inflammables et explosifs.



Un incendie ou une explosion peut entraîner des blessures très graves ou même la mort.

#### Pour stocker du carburant ou l'équipement avec un réservoir plein

- Les ranger loin des chaudières, cuisinières, chauffe-eau ou tout autre appareil comportant une veilleuse ou une source susceptible de produire une étincelle, car ils pourraient enflammer les vapeurs de carburant.

### Système d'alimentation

L'essence peut s'évaporer lorsqu'elle est conservée plus de 30 jours. L'essence périmée provoque la formation de dépôts d'acide et de gomme dans le système d'alimentation ou sur des pièces essentielles du carburateur. Pour maintenir l'essence propre, utiliser le **la formule avancée de stabilisation et de traitement de l'essence de Briggs & Stratton** disponible dans tous les points de vente des pièces de rechange Briggs & Stratton d'origine.

Pour les moteurs équipés d'un bouchon d'essence FRESH START®, utiliser le stabilisateur **FRESH START® de Briggs & Stratton** disponible en cartouche de concentré à écoulement progressif.

Il n'est pas nécessaire de vidanger l'essence du moteur si un stabilisateur est ajouté conformément aux instructions. Faire fonctionner le moteur pendant 2 minutes pour faire circuler le stabilisateur dans le système d'alimentation avant le remisage.

Si l'essence n'a pas été traitée avec un stabilisateur, elle doit être vidangée dans un récipient approuvé. Faire fonctionner le moteur jusqu'à ce qu'il s'arrête en panne sèche. L'utilisation d'un stabilisateur d'essence dans le réservoir de stockage est recommandée pour en conserver la fraîcheur.

### Huile moteur

Pendant que le moteur est encore chaud, changer l'huile du moteur.

### Dépannage

Besoin d'aide? Aller sur [BRIGGSandSTRATTON.COM](http://BRIGGSandSTRATTON.COM) ou appeler 1-800-233-3723 (aux États-Unis).

## Spécifications

Spécifications du moteur	
Modèle	120000
Cylindrée	205 cc
Alésage	68,28 mm
Course	55,88 mm
Capacité d'huile	0,54 - 0,59 l

Spécifications du moteur	
Modèle	150000
Cylindrée	250 cc
Alésage	75,44 mm
Course	55,88 mm
Capacité d'huile	0,54 - 0,59 l

Spécifications du moteur	
Modèle	200000
Cylindrée	305 cc
Alésage	79,24 mm
Course	61,93 mm
Capacité d'huile	0,77 - 0,83 l

Spécifications du moteur	
Modèle	210000
Cylindrée	342 cc
Alésage	83,81 mm
Course	61,93 mm
Capacité d'huile	0,77 - 0,83 l

Spécifications de réglage *	
Modèle	120000, 150000
Écartement des électrodes	0,76 mm
Couple de serrage de la bougie	20 Nm
Entrefer bobine	0,25 - 0,36 mm
Jeu de soupape d'admission	0,10 - 0,15 mm
Jeu de soupape d'échappement	0,23 - 0,28 mm

Spécifications de réglage *	
Modèle	200000, 210000
Écartement des électrodes	0,76 mm
Couple de serrage de la bougie	20 Nm
Entrefer bobine	0,20 - 0,30 mm
Jeu de soupape d'admission	0,10 - 0,15 mm
Jeu de soupape d'échappement	0,10 - 0,15 mm

\* La puissance du moteur décroît de 3,5% par 300 mètres d'altitude au-dessus du niveau de la mer et de 1% par 5,6°C au-delà de 25°C. Le moteur fonctionne normalement jusqu'à 15° d'inclinaison. Voir le manuel d'utilisation de l'équipement pour les limites autorisées de fonctionnement en pente.

### Pièces d'entretien courant ✓

Pièce d'entretien	Référence
Additif pour l'essence	5041, 5058
Bougie à résistance (Modèle 120000, 150000, 200000, 210000)	491055
Bougie en platine longue durée (Modèle 120000, 150000)	696202, 5066
Bougie en platine longue durée (Modèle 200000, 210000)	793541

Pièce d'entretien	Référence
Clé à bougie	89838, 5023
Testeur de bougie	19368

✓ Nous recommandons de voir un Réparateur Agréé Briggs & Stratton pour tout entretien de votre moteur et de ses pièces.

## GARANTIE LIMITÉE

Briggs & Stratton garantit que, pendant la période de garantie spécifiée ci-dessous, il remplacera ou réparera gratuitement toute pièce du moteur présentant un défaut de matière ou de fabrication ou les deux. Tous les frais de transport du produit destiné à être remplacé ou réparé au titre de la présente garantie restent à charge de l'acheteur. Cette garantie est applicable pendant la période et aux conditions prévues dans le présent document. Pour toute intervention sous garantie, cherchez le Réparateur Agréé Briggs & Stratton le plus proche dans la liste des Réparateurs Agréés sur notre site Internet BRIGGSandSTRATTON.COM. L'acheteur doit contacter le Réparateur Agréé puis mettre le moteur ou le produit à sa disposition pour inspection et essais.

**Il n'existe aucune autre garantie expresse. Les garanties implicites, y compris celles de la valeur marchande et d'adaptation à un objectif particulier, sont limitées à la période de garantie mentionnée ci-dessous ou à la période légale admise. Notre responsabilité pour les dégâts provoqués par l'équipement ou les dommages et intérêts accessoires est exclue dans la limite des exclusions autorisées par la loi.** Certains pays ou États n'autorisent pas la limitation de la durée de la garantie implicite et certains pays ou États n'autorisent pas l'exclusion ou la limitation des dégâts provoqués ou consécutifs à un accident, ce qui fait que les limitation et exclusion ci-dessus peuvent ne pas s'appliquer à vous. Cette garantie vous donne des droits légaux et vous pouvez bénéficier d'autres droits qui peuvent varier d'un pays à l'autre ou d'un État à l'autre. \*\*

## CONDITIONS DE GARANTIE STANDARD \* ▲

Marque/Type de produit	Usage privé	Usage professionnel
Vanguard™ ■	3 ans	3 ans
Commercial Turf Series™	2 ans	2 ans
Moteurs avec chemise en fonte Dura-Bore™	2 ans	1 an
Tous les autres moteurs Briggs & Stratton	2 ans	90 jours

\* Ces conditions sont nos conditions de garantie standard. Néanmoins, dans certains cas, nos produits peuvent bénéficier d'une couverture supplémentaire qui n'était pas déterminée au moment de la publication. Pour consulter les conditions de garantie actuelles de votre moteur, rendez-vous sur BRIGGSandSTRATTON.COM ou contactez le Réparateur Agréé Briggs & Stratton.

\*\* En Australie - Nos produits disposent de garanties qui ne peuvent être exclues dans le cadre du droit de la consommation australien. Vous êtes en droit de bénéficier d'un remplacement ou d'un remboursement pour une défaillance majeure, ou d'un dédommagement pour toute autre perte ou tout autre dommage raisonnablement prévisible. Vous êtes aussi en droit de bénéficier de la réparation ou du remplacement des produits si ceux-ci s'avèrent ne pas être de qualité acceptable et si la défaillance n'est pas majeure. Pour toute intervention sous garantie, cherchez le Réparateur Agréé Briggs & Stratton le plus proche en consultant la liste des Réparateurs sur BRIGGSandSTRATTON.COM, en composant le 1300 274 447, en envoyant un message électronique à salesenquiries@briggsandstratton.com.au, ou en écrivant directement à Briggs & Stratton Australia Pty Ltd, 1 Moorebank Avenue, Moorebank, NSW, Australie, 2170.

▲ Aucune garantie ne s'applique pour les moteurs d'équipements utilisés pour une alimentation principale en remplacement du réseau public d'électricité ou pour les groupes électrogènes stationnaires utilisés à des fins commerciales. Les moteurs utilisés en compétition ou dans un but d'exploitation commerciale ou de location ne sont pas garantis.

■ Vanguard installés sur les groupes électrogènes stationnaires: 2ans de garantie en usage privé, pas de garantie en usage professionnel. Vanguard installés sur des véhicules utilitaires: 2ans de garantie en usage privé, 2ans de garantie en usage professionnel. Vanguard 3cylindres refroidis à eau: consulter l'application de la garantie sur les moteurs Briggs & Stratton 3/LC.

La période de garantie débute à la date d'achat par le premier acheteur de détail ou par le premier utilisateur commercial final. Par «usage privé», on entend une utilisation personnelle résidentielle par l'acheteur de détail. Par «usage professionnel», on entend toute autre utilisation, y compris à des fins commerciales, donnant lieu à rémunération ou location. Dès la première exploitation du moteur en usage professionnel, il est réputé être définitivement un moteur à usage professionnel au titre de la présente garantie.

**Conserver le reçu comme preuve d'achat. Si, lors d'une demande d'intervention sous garantie, la date initiale d'achat ne peut être fournie, la date de fabrication du produit servira de référence pour déterminer la période de garantie. L'enregistrement des produits n'est pas obligatoire pour que la garantie prenne effet pour les produits Briggs & Stratton.**

## Au sujet de la garantie

Cette garantie limitée couvre uniquement les pièces défectueuses du moteur et/ou la main-d'œuvre associée, et non le remplacement ou le remboursement de l'équipement sur lequel est monté le moteur. La maintenance régulière, les réglages, les mises au point ou l'usure normale ne sont pas couverts par cette garantie. De même, la garantie ne s'applique pas si le moteur a été altéré ou modifié ou si le numéro de série du moteur a été dégradé ou effacé. Cette garantie n'inclut pas les équipements ou les moteurs usagés, reconditionnés, de seconde main ou de démonstration. Cette garantie ne couvre pas les dégâts ou les problèmes de performance du moteur causés par:

- 1 l'emploi de pièces non d'origine Briggs & Stratton;
- 2 l'utilisation du moteur avec de l'huile en quantité insuffisante, contaminée ou d'un grade de lubrification inadéquat;
- 3 l'utilisation de carburant contaminé ou trop vieux, d'essence formulée avec de l'éthanol à plus de 10% ou l'utilisation de carburants alternatifs comme le gaz naturel ou le gaz de pétrole liquéfié sur des moteurs non conçus/fabriqués à l'origine par Briggs & Stratton pour fonctionner avec de tels carburants;
- 4 la saleté qui a pénétré dans le moteur en raison d'une maintenance ou d'un remplacement inadéquat du filtre à air;

- 5 un choc de la lame d'une tondeuse rotative sur un corps dur, des adaptateurs de lames, des turbines ou d'autres dispositifs raccordés au vilebrequin mal installés ou desserrés, ou une courroie trapézoïdale trop tendue;
- 6 des pièces associées ou des ensembles tels que les embrayages, transmissions, commandes d'équipement, etc., qui ne sont pas fournis par Briggs & Stratton;
- 7 une surchauffe due à des résidus d'herbe, de la saleté et des débris ou des nids de rongeurs qui bouchent ou obstruent les ailettes de refroidissement ou la zone du volant, ou due à un fonctionnement du moteur sans ventilation suffisante;
- 8 une vibration excessive provoquée par un sursrégime, un serrage insuffisant des boulons de fixation du moteur, des lames ou des turbines desserrées ou mal équilibrées, un mauvais raccordement des composants de l'équipement au vilebrequin;
- 9 un abus, un manque d'entretien courant, l'expédition, la manutention ou l'entreposage de l'équipement ou une mauvaise installation du moteur.

**Les interventions sous garantie ne sont effectuées que par les Réparateurs Agréés par Briggs & Stratton Corporation. Recherchez-les dans la liste des Réparateurs sur notre site Internet BRIGGSandSTRATTON.COM ou en appelant le 1-800-233-3723 (aux États-Unis).**

**Californie, US Environmental Protection Agency (USEPA) et Énoncé de garantie du dispositif antipollution de Briggs & Stratton Corporation**  
**Vos droits et obligations relatifs à la garantie - Pour les modèles de moteur Briggs & Stratton avec désignation de coupe « F »**  
**(Représentation Modèle-Type-Coupe xxxxxx xxxx Fx)** **Janvier 2014**

Le California Air Resources Board (CARB), l'USEPA et Briggs & Stratton (B&S) ont le plaisir d'expliquer la garantie du dispositif antipollution installé sur ce moteur/ce matériel année modèle 2014-2015. En Californie, les nouveaux petits moteurs hors route et les gros moteurs à explosion de cylindrée de moins de ou égal à 1,0 litre doivent être conçus, fabriqués et équipés pour satisfaire les normes sévères anti-smog de l'état. B&S doit garantir le dispositif antipollution de ce moteur/matériel pendant la durée indiquée ci-dessous sous réserve de l'absence d'abus, négligence ou mauvais entretien de ce petit moteur hors route.

Votre dispositif antipollution peut comprendre des pièces comme le carburateur ou le système d'injection de combustible, le système d'allumage et le convertisseur catalytique. Il peut aussi y avoir des tuyaux, des courroies, des connecteurs, des capteurs et d'autres dispositifs en rapport avec les émissions. Le système de contrôle de l'évaporation de carburant peut comprendre des pièces telles que : les carburateurs, les réservoirs d'essence, les canalisations d'essence, les bouchons d'essence, les soupapes, les filtres, les carters, les boyaux d'évaporation, les attaches, les raccords et autres composants associés. Dans le cas d'un défaut couvert par la garantie, B&S réparera votre petit moteur hors route/votre matériel sans frais et ce, incluant le diagnostic, les pièces et la main d'oeuvre.

**Couverture de garantie du fabricant:**

Les petits moteurs hors route et les gros moteurs à explosion de cylindrée inférieure ou égale à 1,0 litre, et tous les composants liés aux émissions de cet équipement, sont garantis pendant deux ans \* Si une pièce antipollution du moteur/matériel B&S couverte

par la garantie est défectueuse, B&S la réparera ou la remplacera.

\* Pendant deux ans ou pendant la période figurant sur le certificat de garantie respectif du moteur ou du produit si elle est supérieure à deux ans.

**Responsabilités du propriétaire dans le cadre de la garantie:**

- En tant que propriétaire de petit moteur/matériel hors route, vous êtes responsable de l'exécution de l'entretien requis indiqué dans le manuel d'utilisation. B&S recommande de conserver tous les reçus en rapport avec l'entretien du petit moteur/matériel hors route ; toutefois, B&S ne peut refuser la garantie uniquement parce que vous êtes dans l'impossibilité de produire les reçus ou que vous n'avez pas effectué toutes les étapes de l'entretien prévu.
- Néanmoins, vous devez savoir, en tant que propriétaire de petit moteur/matériel hors route, que B&S peut refuser le bénéfice de la garantie si votre moteur/matériel, ou une pièce, est défaillant en raison d'abus, de négligence, d'entretien inadéquat ou de modifications non approuvées.
- Dès qu'un problème survient, vous avez la responsabilité de faire examiner votre moteur de génératrice ou matériel dans un centre de distribution B&S, un centre de services ou une entité équivalente, selon le cas. Les réparations couvertes par la garantie doivent être effectuées dans un délai raisonnable, n'excédant pas 30 jours. Si vous avez des questions au sujet de vos droits et responsabilités liés à la garantie, veuillez communiquer avec un représentant de Briggs & Stratton au 1-800-444-7774 (aux É.-U.) ou BRIGGSandSTRATTON.COM.

**Dispositions de la garantie contre les défauts du dispositif antipollution de Briggs & Stratton**

Les dispositions qui suivent sont spécifiques à la couverture de garantie des défauts du dispositif antipollution. Elle est un ajout à la garantie sur les moteurs de B&S pour les moteurs non régulés, figurant dans le manuel d'utilisation.

**1. Pièces d'émissions garanties**

La couverture de cette garantie n'englobe que les pièces énumérées ci-dessous (pièces du dispositif antipollution) dans la mesure où ces pièces étaient présentes sur le moteur B&S et/ou sur le système d'alimentation B&S fourni.

**a. Système de contrôle d'alimentation en carburant**

- Dispositif d'enrichissement pour démarrage à froid (étrangleur à glissement)
- Carburateur et pièces internes
- Pompe à carburant
- Conduit d'essence, raccords de conduit d'essence, brides de serrage
- Réservoir d'essence, bouchon et attache
- Absorbent de vapeurs d'essence

**b. Circuit d'entrée d'air**

- Filtre à air
- Collecteur d'admission
- Ligne de purge et d'évacuation

**c. Système d'allumage**

- Bougie(s) d'allumage
- Système d'allumage à magnéto

**d. Système de catalyseur**

- Convertisseur catalytique
- Collecteur d'échappement
- Système d'injection d'air ou soupape d'impulsion

**e. Éléments divers utilisés dans les systèmes précédemment mentionnés**

- Soupapes et interrupteurs de dépression, de température, de position, à délai critique
- Connecteurs et dispositifs

**2. Durée de la couverture**

Pendant une période de deux ans à compter de la date de l'achat initial, B&S garantit à l'acheteur initial et à tout acheteur suivant que le moteur a été conçu, construit et équipé conformément à toutes les réglementations applicables adoptées par le Air Resources Board ; qu'il est dépourvu de défauts matériels et de fabrication pouvant provoquer le dysfonctionnement d'une pièce couverte par la garantie ; et qu'il est identique en tous points matériels au moteur décrit dans la demande de certification du fabricant. La période de garantie commence à la date d'achat initial du moteur.

\* Pendant deux ans ou pendant la période figurant sur le certificat de garantie respectif du moteur ou du produit si elle est supérieure à deux ans.

La garantie sur les pièces antipollution est la suivante :

- Toute pièce couverte par la garantie dont le remplacement n'est pas planifié dans le cadre de l'entretien obligatoire décrit dans le manuel d'utilisation fourni est garantie pendant la période indiquée ci-dessus. Si une telle pièce fait défaut pendant la période de couverture de la garantie, la pièce sera réparée ou remplacée par B&S sans frais pour le propriétaire. Cette pièce réparée ou remplacée dans le cadre de la garantie restera garantie pendant la période de garantie restant à courir.
- Toute pièce couverte par la garantie dont seul l'examen est planifié dans le manuel d'utilisation fourni est garantie pendant la période indiquée ci-dessus. Cette pièce réparée ou remplacée dans le cadre de la garantie restera garantie pendant la période de garantie restant à courir.
- Toute pièce couverte par la garantie dont le remplacement fait partie de l'entretien obligatoire dans le manuel d'utilisation est garantie pendant la période précédant le premier point de remplacement prévu pour cette pièce. Si la pièce fait défaut avant le remplacement prévu, la pièce sera réparée ou remplacée par B&S sans frais pour le propriétaire. Toute pièce réparée ou remplacée en vertu de la garantie sera garantie pendant la durée restant à courir de la période précédant le premier point de remplacement prévu pour la pièce.
- Les pièces ajoutées ou modifiées ne faisant pas l'objet d'une exemption par Air Resources Board ne doivent pas être utilisées. L'utilisation de pièces non exemptées, ajoutées ou modifiées par le propriétaire sera un motif pour rejeter une demande de garantie. Il n'est pas de la responsabilité du fabricant de garantir les défauts des pièces garanties causées par l'utilisation de pièces ajoutées ou modifiées qui ne font pas l'objet d'une exemption.

**3. Protection consécutive**

La couverture s'étend à toute défaillance de l'un des composants du moteur consécutive à la défectuosité d'une des pièces garanties encore couverte par la garantie.

**4. Exclusions de demande et de protection**

Les réclamations au titre de la garantie doivent être présentées conformément aux dispositions de la politique de garantie du moteur de B&S. La protection de garantie ne s'applique pas aux défaillances de pièces de contrôle d'émissions qui ne sont des pièces d'équipement d'origine B&S, ni aux défaillances de pièces causées par l'abus, la négligence ou le mauvais entretien tels qu'énoncés dans les provisions de garantie B&S du moteur. B&S n'est pas responsable de la couverture sous garantie du dysfonctionnement des pièces antipollution provoqué par l'utilisation de pièces supplémentaires ou modifiées.

**Consulter l'information concernant la période de durabilité des émissions et l'indice d'air sur l'étiquette d'émissions de votre petit moteur hors-route**

Les renseignements concernant la période de durabilité des émissions et l'indice de pollution atmosphérique doivent être fournis avec les moteurs qui répondent aux normes relatives aux émissions de la California Air Resources Board (CARB). Briggs & Stratton rend cette information disponible aux consommateurs sur les étiquettes des émissions. L'étiquette des émissions du moteur fournit des renseignements sur la certification.

La période de durabilité des émissions décrit le nombre d'heures pendant lesquelles le moteur peut fonctionner en respectant les normes relatives aux émissions, en supposant que l'entretien est effectué conformément au Calendrier d'entretien. Les catégories utilisées sont les suivantes :

**Modéré :**

Les cylindrées de 80 cc ou moins sont certifiées conformes aux normes d'émissions pour 50 heures réelles de fonctionnement du moteur. Les cylindrées de plus de 80 cc sont certifiées conformes aux normes d'émissions pour 125 heures réelles de fonctionnement du moteur.

**Intermédiaire :**

Les cylindrées de 80 cc ou moins sont certifiées conformes aux normes d'émissions pour 125 heures réelles de fonctionnement du moteur. Les cylindrées de plus de 80 cc sont certifiées conformes aux normes d'émissions pour 250 heures réelles de fonctionnement du moteur.

**Prolongé :**

Les cylindrées de 80 cc ou moins sont certifiées conformes aux normes d'émissions pour 300 heures réelles de fonctionnement du moteur. Les cylindrées de plus de 80 cc sont certifiées conformes aux normes d'émissions pour 500 heures réelles de fonctionnement du moteur.

Par exemple, une tondeuse poussée typique est utilisée environ 20 à 25 heures par année. Donc, la **période de durabilité des émissions** pour un moteur avec un classement **intermédiaire** équivaut de 10 à 12 années.

Les moteurs Briggs & Stratton sont certifiés conformes aux normes de phase 2 ou phase 3 sur les émissions de l'USEPA (United States Environmental Protection Agency). La période de conformité des émissions indiquée sur l'étiquette de conformité des émissions indique le nombre d'heures de fonctionnement pendant lesquelles le moteur a démontré qu'il respectait les exigences fédérales en matière d'émissions.

Pour les cylindrées de 80 cc ou moins :

Catégorie C = 50 heures, Catégorie B = 125 heures, Catégorie A = 300 heures

Pour les cylindrées de plus de 80 cc et de moins de 225 cc :

Catégorie C = 125 heures, Catégorie B = 250 heures, Catégorie A = 500 heures

Pour les cylindrées de 225 cc ou plus :

Catégorie C = 250 heures, Catégorie B = 500 heures, Catégorie A = 1000 heures

Le California Air Resources Board (CARB), l'USEPA et Briggs & Stratton (B&S) ont le plaisir d'expliquer la garantie du dispositif antipollution installé sur ce moteur/ce matériel année modèle 2014-2015. En Californie, les nouveaux petits moteurs hors route et les gros moteurs à explosion de cylindrée de moins de ou égal à 1,0 litre doivent être conçus, fabriqués et équipés pour satisfaire les normes sévères anti-smog de l'état. B&S doit garantir le dispositif antipollution de ce moteur/matériel pendant la durée indiquée ci-dessous sous réserve de l'absence d'abus, négligence ou mauvais entretien de ce petit moteur hors route.

Votre dispositif antipollution peut comprendre des pièces comme le carburateur ou le système d'injection de combustible, le système d'allumage et le convertisseur catalytique. Il peut aussi y avoir des tuyaux, des courroies, des connecteurs, des capteurs et d'autres dispositifs en rapport avec les émissions. Le système de contrôle de l'évaporation de carburant peut comprendre des pièces telles que : les carburateurs, les réservoirs d'essence, les canalisations d'essence, les bouchons d'essence, les soupapes, les filtres, les carters, les boyaux d'évaporation, les attaches, les raccords et autres composants associés. Dans le cas d'un défaut couvert par la garantie, B&S réparera votre petit moteur hors route/votre matériel sans frais et ce, incluant le diagnostic, les pièces et la main d'oeuvre.

#### **Couverture de garantie du fabricant:**

Les petits moteurs hors route et les gros moteurs à explosion de cylindrée inférieure ou égale à 1,0 litre, et tous les composants liés aux émissions de cet équipement, sont garantis pendant deux ans \* Si une pièce antipollution du moteur/matériel B&S couverte

par la garantie est défectueuse, B&S la réparera ou la remplacera.

\* Pendant deux ans ou pendant la période figurant sur le certificat de garantie respectif du moteur ou du produit si elle est supérieure à deux ans.

#### **Responsabilités du propriétaire dans le cadre de la garantie:**

- En tant que propriétaire de petit moteur/matériel hors route, vous êtes responsable de l'exécution de l'entretien requis indiqué dans le manuel d'utilisation. B&S recommande de conserver tous les reçus en rapport avec l'entretien du petit moteur/matériel hors route ; toutefois, B&S ne peut refuser la garantie uniquement parce que vous êtes dans l'impossibilité de produire les reçus ou que vous n'avez pas effectué toutes les étapes de l'entretien prévu.
- Néanmoins, vous devez savoir, en tant que propriétaire de petit moteur/matériel hors route, que B&S peut refuser le bénéfice de la garantie si votre moteur/matériel, ou une pièce, est défaillant en raison d'abus, de négligence, d'entretien inadéquat ou de modifications non approuvées.
- Dès qu'un problème survient, vous avez la responsabilité de faire examiner votre moteur de génératrice ou matériel dans un centre de distribution B&S, un centre de services ou une entité équivalente, selon le cas. Les réparations couvertes par la garantie doivent être effectuées dans un délai raisonnable, n'excédant pas 30 jours. Si vous avez des questions au sujet de vos droits et responsabilités liés à la garantie, veuillez communiquer avec un représentant de Briggs & Stratton au 1-800-444-7774 (aux É.-U.) ou BRIGGSandSTRATTON.COM.

### **Dispositions de la garantie contre les défauts du dispositif antipollution de Briggs & Stratton**

Les dispositions qui suivent sont spécifiques à la couverture de garantie des défauts du dispositif antipollution. Elle est un ajout à la garantie sur les moteurs de B&S pour les moteurs non régulés, figurant dans le manuel d'utilisation.

#### **1. Pièces d'émissions garanties**

La couverture de cette garantie n'englobe que les pièces énumérées ci-dessous (pièces du dispositif antipollution) dans la mesure où ces pièces étaient présentes sur le moteur B&S et/ou sur le système d'alimentation B&S fourni.

- a. Système de contrôle d'alimentation en carburant
  - Dispositif d'enrichissement pour démarrage à froid (étrangleur à glissement)
  - Carburateur et pièces internes
  - Pompe à carburant
- b. Circuit d'entrée d'air
  - Filtre à air
  - Collecteur d'admission
- c. Système d'allumage
  - Bougie(s) d'allumage
  - Système d'allumage à magnéto
- d. Système de catalyseur
  - Convertisseur catalytique
  - Collecteur d'échappement
  - Système d'injection d'air ou soupape d'impulsion
- e. Éléments divers utilisés dans les systèmes précédemment mentionnés
  - Soupapes et interrupteurs de dépression, de température, de position, à délai critique
  - Connecteurs et dispositifs

#### **2. Durée de la couverture**

Pendant une période de deux ans à compter de la date de l'achat initial, B&S garantit à l'acheteur initial et à tout acheteur suivant que le moteur a été conçu, construit et équipé conformément à toutes les réglementations applicables adoptées par le Air Resources Board ; qu'il est dépourvu de défauts matériels et de fabrication pouvant provoquer le dysfonctionnement d'une pièce couverte par la garantie ; et qu'il est identique en tous points matériels au moteur décrit dans la demande de certification du fabricant. La période de garantie commence à la date d'achat initial du moteur.

\* Pendant deux ans ou pendant la période figurant sur le certificat de garantie respectif du moteur ou du produit si elle est supérieure à deux ans.

La garantie sur les pièces antipollution est la suivante :

- Toute pièce couverte par la garantie dont le remplacement n'est pas planifié dans le cadre de l'entretien obligatoire décrit dans le manuel d'utilisation fourni est garantie pendant la période indiquée ci-dessus. Si une telle pièce fait défaut pendant la période de couverture de la garantie, la pièce sera réparée ou remplacée par B&S sans frais pour le propriétaire. Cette pièce réparée ou remplacée dans le cadre de la garantie restera garantie pendant la période de garantie restant à courir.
  - Toute pièce couverte par la garantie dont seul l'examen est planifié dans le manuel d'utilisation fourni est garantie pendant la période indiquée ci-dessus. Cette pièce réparée ou remplacée dans le cadre de la garantie restera garantie pendant la période de garantie restant à courir.
  - Toute pièce couverte par la garantie dont le remplacement fait partie de l'entretien obligatoire dans le manuel d'utilisation est garantie pendant la période précédant le premier point de remplacement prévu pour cette pièce. Si la pièce fait défaut avant le remplacement prévu, la pièce sera réparée ou remplacée par B&S sans frais pour le propriétaire. Toute pièce réparée ou remplacée en vertu de la garantie sera garantie pendant la durée restant à courir de la période précédant le premier point de remplacement prévu pour la pièce.
  - Les pièces ajoutées ou modifiées ne faisant pas l'objet d'une exemption par Air Resources Board ne doivent pas être utilisées. L'utilisation de pièces non exemptées, ajoutées ou modifiées par le propriétaire sera un motif pour rejeter une demande de garantie. Il n'est pas de la responsabilité du fabricant de garantir les défauts des pièces garanties causées par l'utilisation de pièces ajoutées ou modifiées qui ne font pas l'objet d'une exemption.
3. Protection consécutive  
La couverture s'étend à toute défaillance de l'un des composants du moteur consécutive à la défectuosité d'une des pièces garanties encore couverte par la garantie.
  4. Exclusions de demande et de protection

Les réclamations au titre de la garantie doivent être présentées conformément aux dispositions de la politique de garantie du moteur de B&S. La protection de garantie ne s'applique pas aux défaillances de pièces de contrôle d'émissions qui ne sont des pièces d'équipement d'origine B&S, ni aux défaillances de pièces causées par l'abus, la négligence ou le mauvais entretien tels qu'énoncés dans les provisions de garantie B&S du moteur. B&S n'est pas responsable de la couverture sous garantie du dysfonctionnement des pièces antipollution provoqué par l'utilisation de pièces supplémentaires ou modifiées.

### **Consulter l'information concernant la période de durabilité des émissions et l'indice d'air sur l'étiquette d'émissions de votre petit moteur hors-route**

Les renseignements concernant la période de durabilité des émissions et l'indice de pollution atmosphérique doivent être fournis avec les moteurs qui répondent aux normes relatives aux émissions de la California Air Resources Board (CARB). Briggs & Stratton rend cette information disponible aux consommateurs sur les étiquettes des émissions. L'étiquette des émissions du moteur fournit des renseignements sur la certification.

La période de durabilité des émissions décrit le nombre d'heures pendant lesquelles le moteur peut fonctionner en respectant les normes relatives aux émissions, en supposant que l'entretien est effectué conformément au Calendrier d'entretien. Les catégories utilisées sont les suivantes :

#### **Modéré :**

Les cylindrées de 80 cc ou moins sont certifiées conformes aux normes d'émissions pour 50 heures réelles de fonctionnement du moteur. Les cylindrées de plus de 80 cc sont certifiées conformes aux normes d'émissions pour 125 heures réelles de fonctionnement du moteur.

#### **Intermédiaire :**

Les cylindrées de 80 cc ou moins sont certifiées conformes aux normes d'émissions pour 125 heures réelles de fonctionnement du moteur. Les cylindrées de plus de 80 cc sont certifiées conformes aux normes d'émissions pour 250 heures réelles de fonctionnement du moteur.

#### **Prolongé :**

Les cylindrées de 80 cc ou moins sont certifiées conformes aux normes d'émissions pour 300 heures réelles de fonctionnement du moteur. Les cylindrées de plus de 80 cc sont certifiées conformes aux normes d'émissions pour 500 heures réelles de fonctionnement du moteur.

Par exemple, une tondeuse poussée typique est utilisée environ 20 à 25 heures par année. Donc, la **période de durabilité des émissions** pour un moteur avec un classement **intermédiaire** équivaut de 10 à 12 années.

Les moteurs Briggs & Stratton sont certifiés conformes aux normes de phase 2 ou phase 3 sur les émissions de l'USEPA (United States Environmental Protection Agency). La période de conformité des émissions indiquée sur l'étiquette de conformité des émissions indique le nombre d'heures de fonctionnement pendant lesquelles le moteur a démontré qu'il respectait les exigences fédérales en matière d'émissions.

Pour les cylindrées de 80 cc ou moins :

Catégorie C = 50 heures, Catégorie B = 125 heures, Catégorie A = 300 heures

Pour les cylindrées de plus de 80 cc et de moins de 225 cc :

Catégorie C = 125 heures, Catégorie B = 250 heures, Catégorie A = 500 heures

Pour les cylindrées de 225 cc ou plus :

Catégorie C = 250 heures, Catégorie B = 500 heures, Catégorie A = 1000 heures

Not for  
Reproduction



**THE POWER WITHIN™**

Not for  
Reproduction



## Free Manuals Download Website

<http://myh66.com>

<http://usermanuals.us>

<http://www.somanuals.com>

<http://www.4manuals.cc>

<http://www.manual-lib.com>

<http://www.404manual.com>

<http://www.luxmanual.com>

<http://aubethermostatmanual.com>

Golf course search by state

<http://golfingnear.com>

Email search by domain

<http://emailbydomain.com>

Auto manuals search

<http://auto.somanuals.com>

TV manuals search

<http://tv.somanuals.com>