



Illustrated Parts List

Model Series

128800

TYPE NUMBERS
0100 through 4906.

TABLE OF CONTENTS

Alternator	8
Air Cleaner	4
Blower Housing/Shrouds	6
Camshaft	2
Carburetor	3
Controls	5
Crankshaft	2
Cylinder Group	2
Electric Starter	8
Electrical	8
Engine Sump	2
Exhaust Muffler	4
Flywheel	7
Flywheel Brake	8
Fuel Supply	5
Governor Spring	5
Ignition	8
Kits/Gaskets	2 & 3
Lubrication	2
Piston Group	2
Rewind Starter	7
Valves	2

PRINTED IN U.S.A.



COPYRIGHT by BRIGGS & STRATTON CORPORATION
All rights reserved. No part of this material may be reproduced or transmitted, in any form or by any means, electronic or mechanical, including photocopying, recording or by any information storage and retrieval system, without permission in writing from Briggs & Stratton Corporation.

1319 WARNING LABEL



REQUIRED when replacing parts with warning labels affixed.

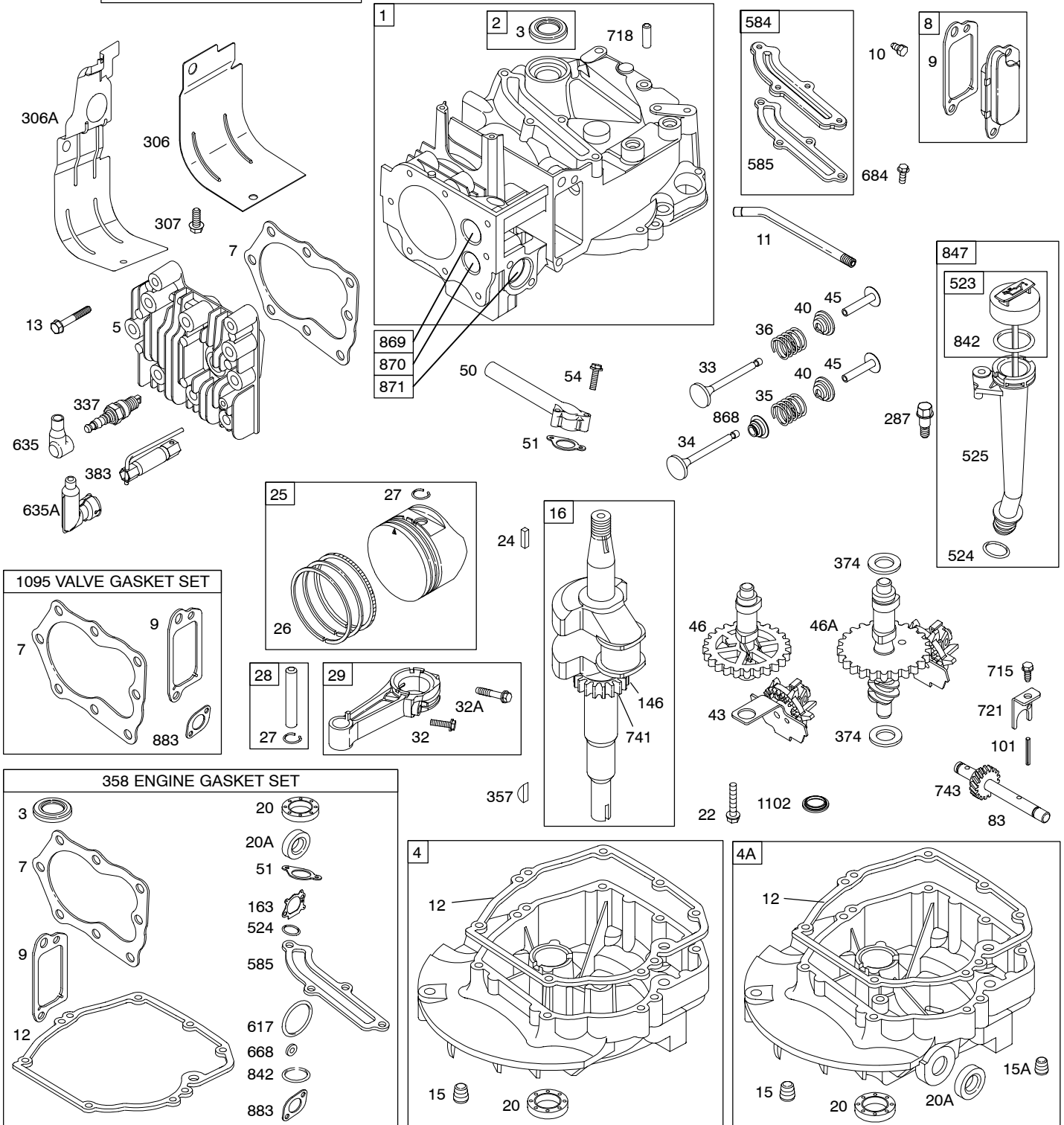
1058 OPERATOR'S MANUAL



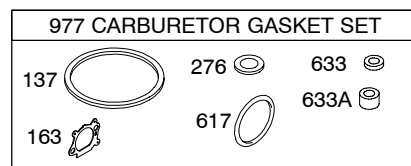
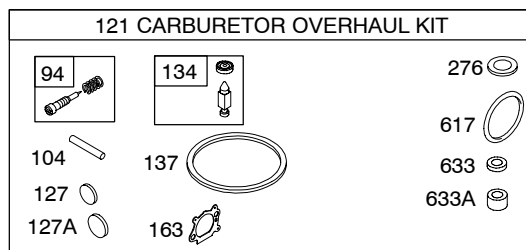
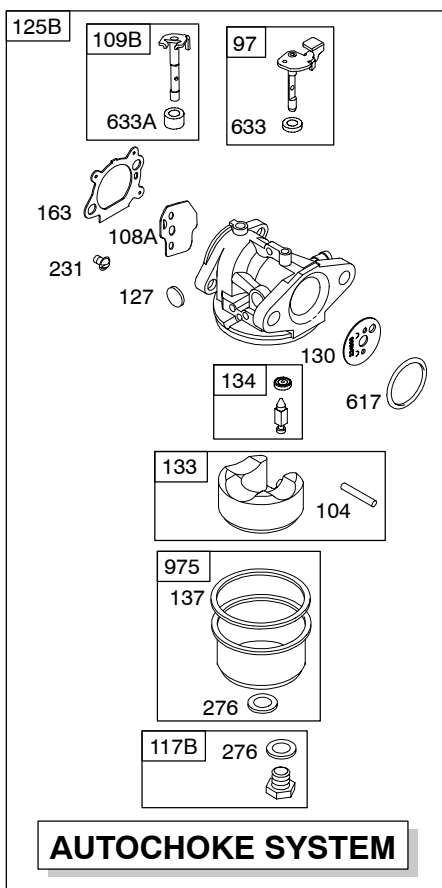
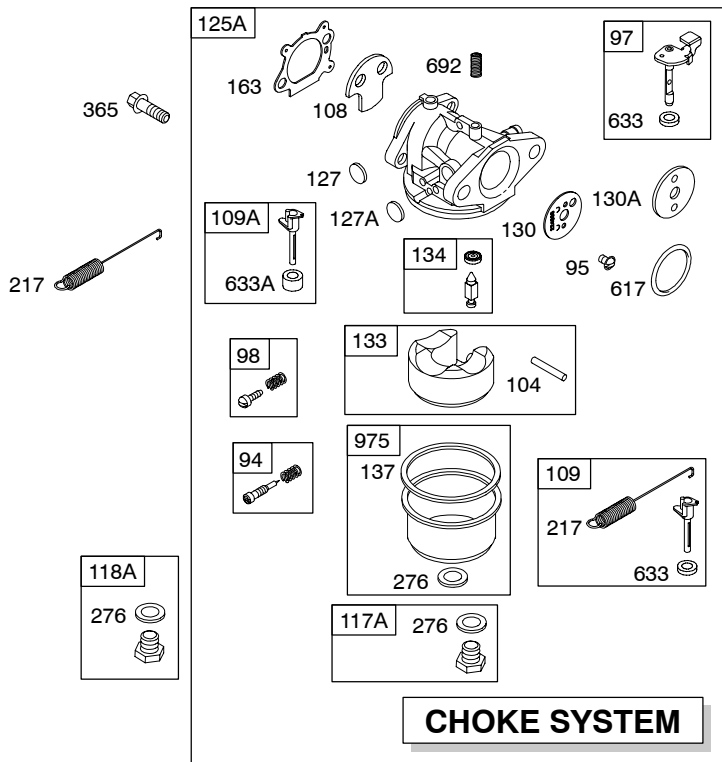
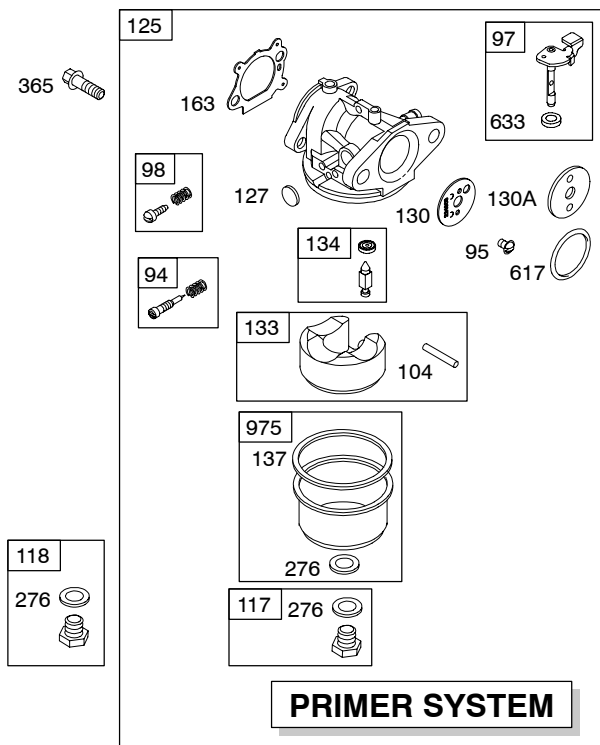
1330 REPAIR MANUAL



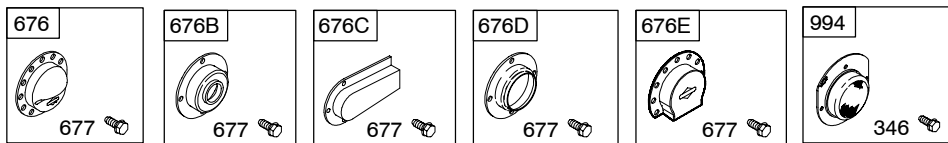
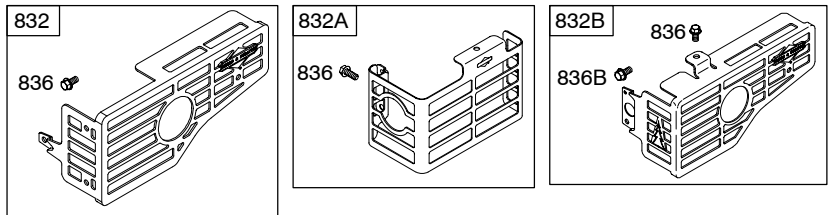
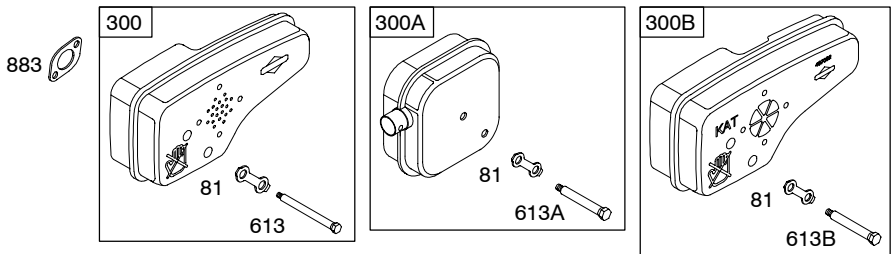
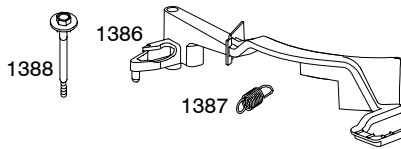
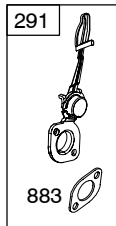
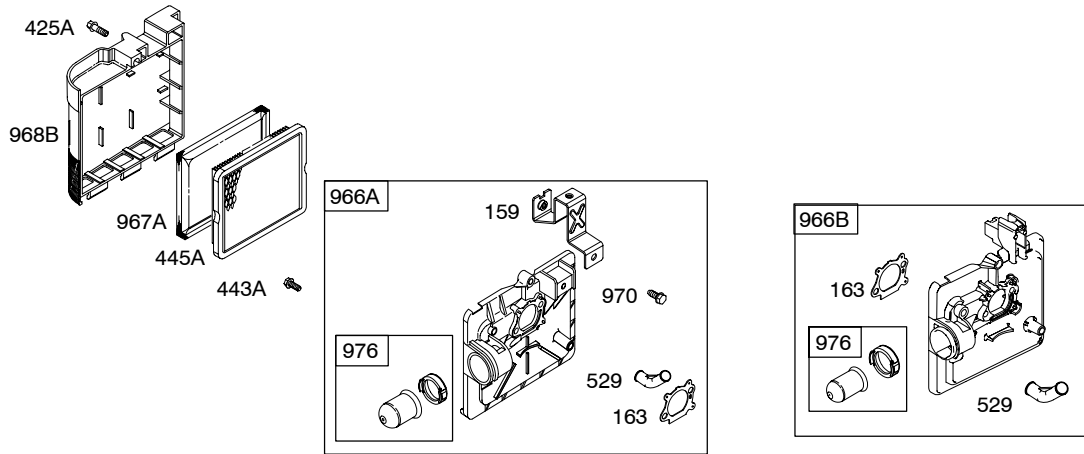
1019 LABEL KIT



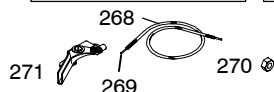
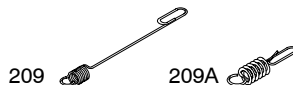
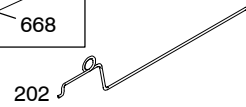
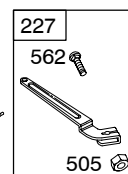
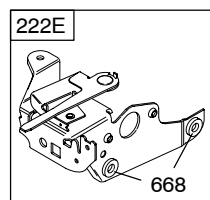
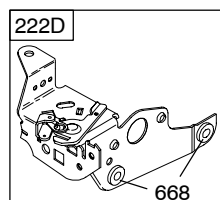
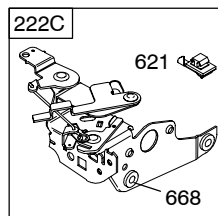
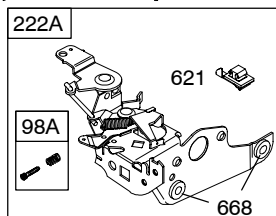
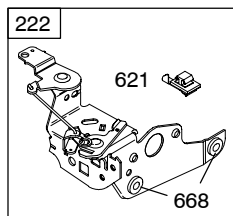
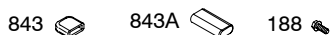
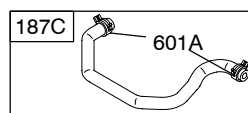
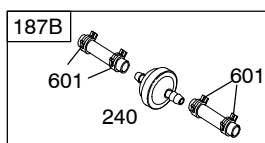
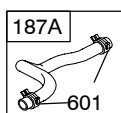
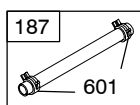
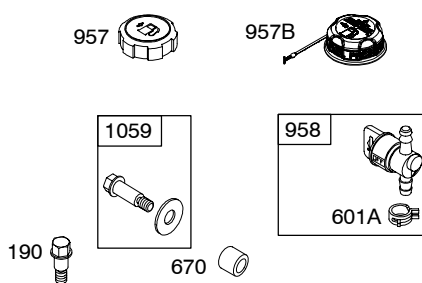
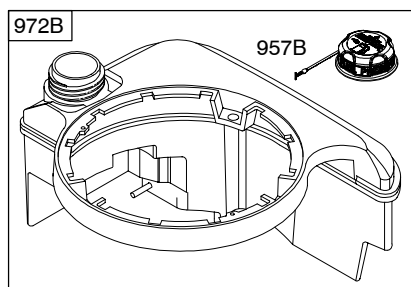
Illustrations cover a range of engines. Parts shown without corresponding text may not be used on your specific engine.
0546-2 Assemblies include all parts shown in frames. **11/27/2007**



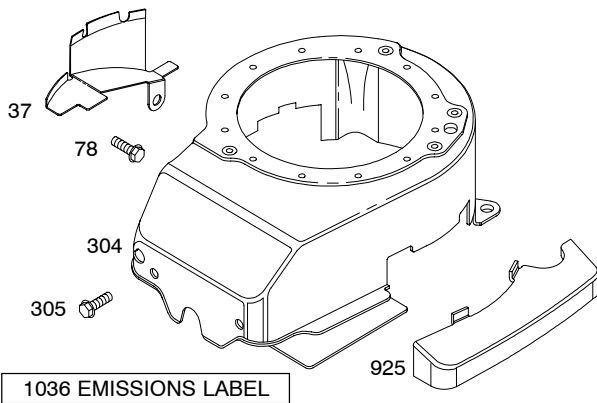
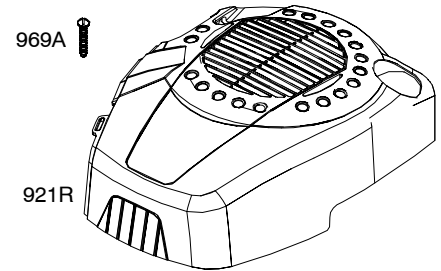
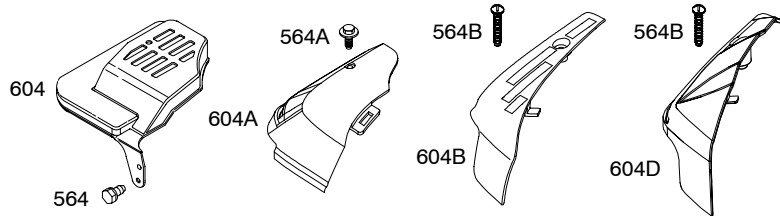
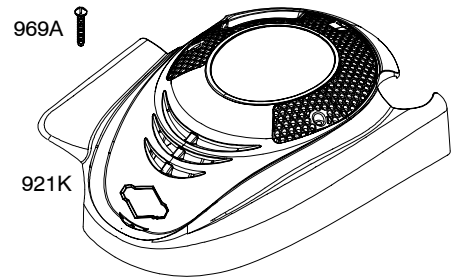
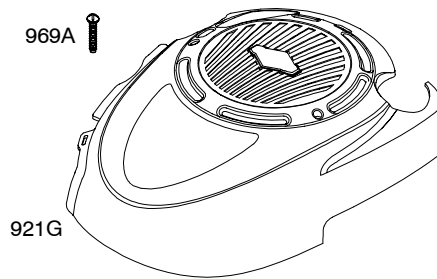
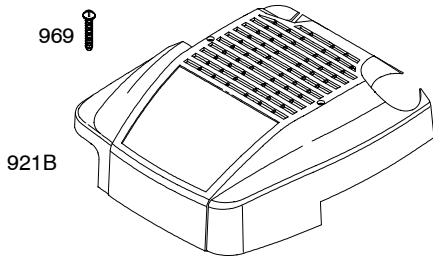
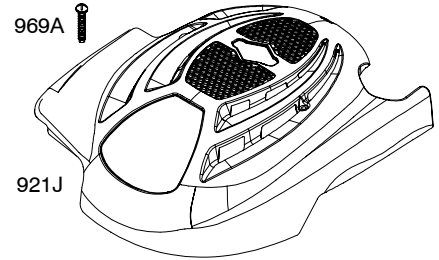
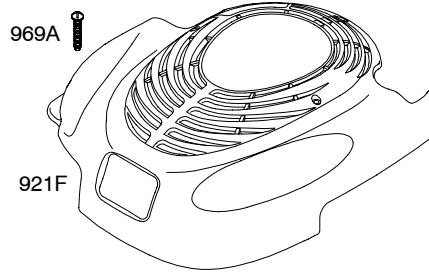
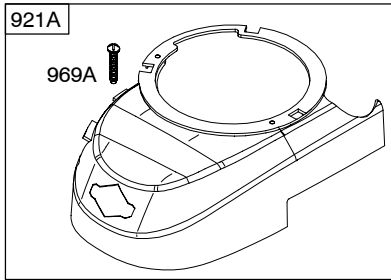
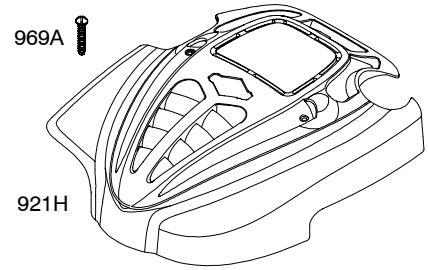
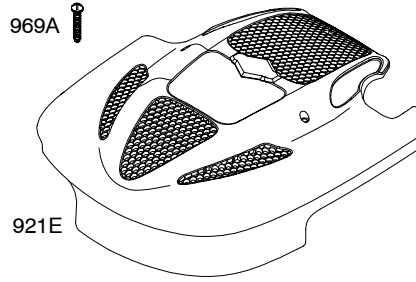
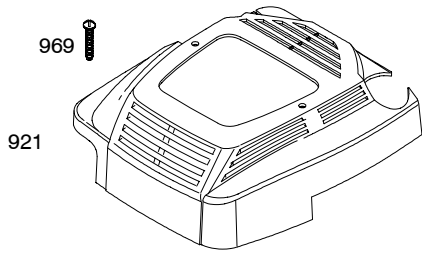
Illustrations cover a range of engines. Parts shown without corresponding text may not be used on your specific engine.



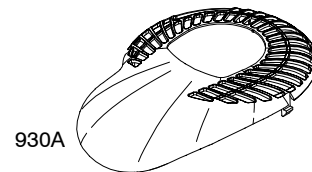
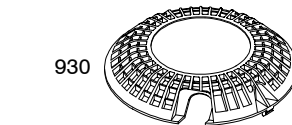
Illustrations cover a range of engines. Parts shown without corresponding text may not be used on your specific engine.
0546-4 Assemblies include all parts shown in frames. **11/27/2007**



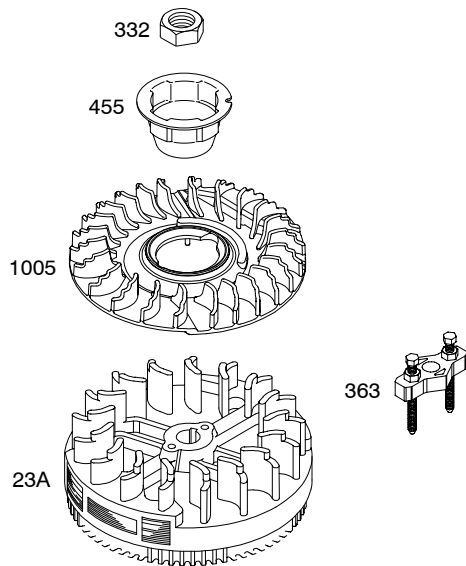
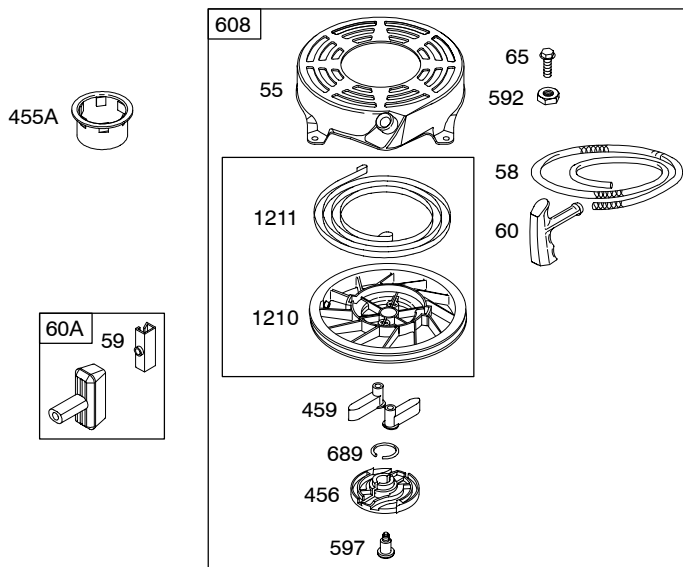
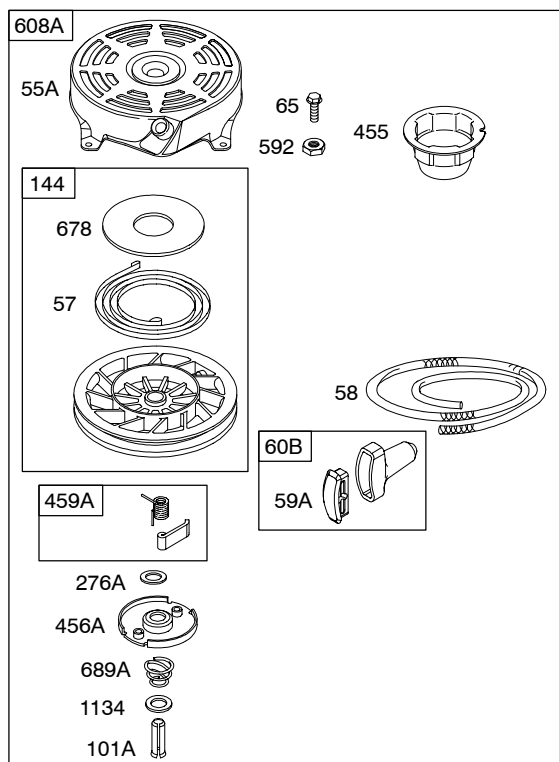
Illustrations cover a range of engines. Parts shown without corresponding text may not be used on your specific engine.
 0546-5 Assemblies include all parts shown in frames. 11/27/2007



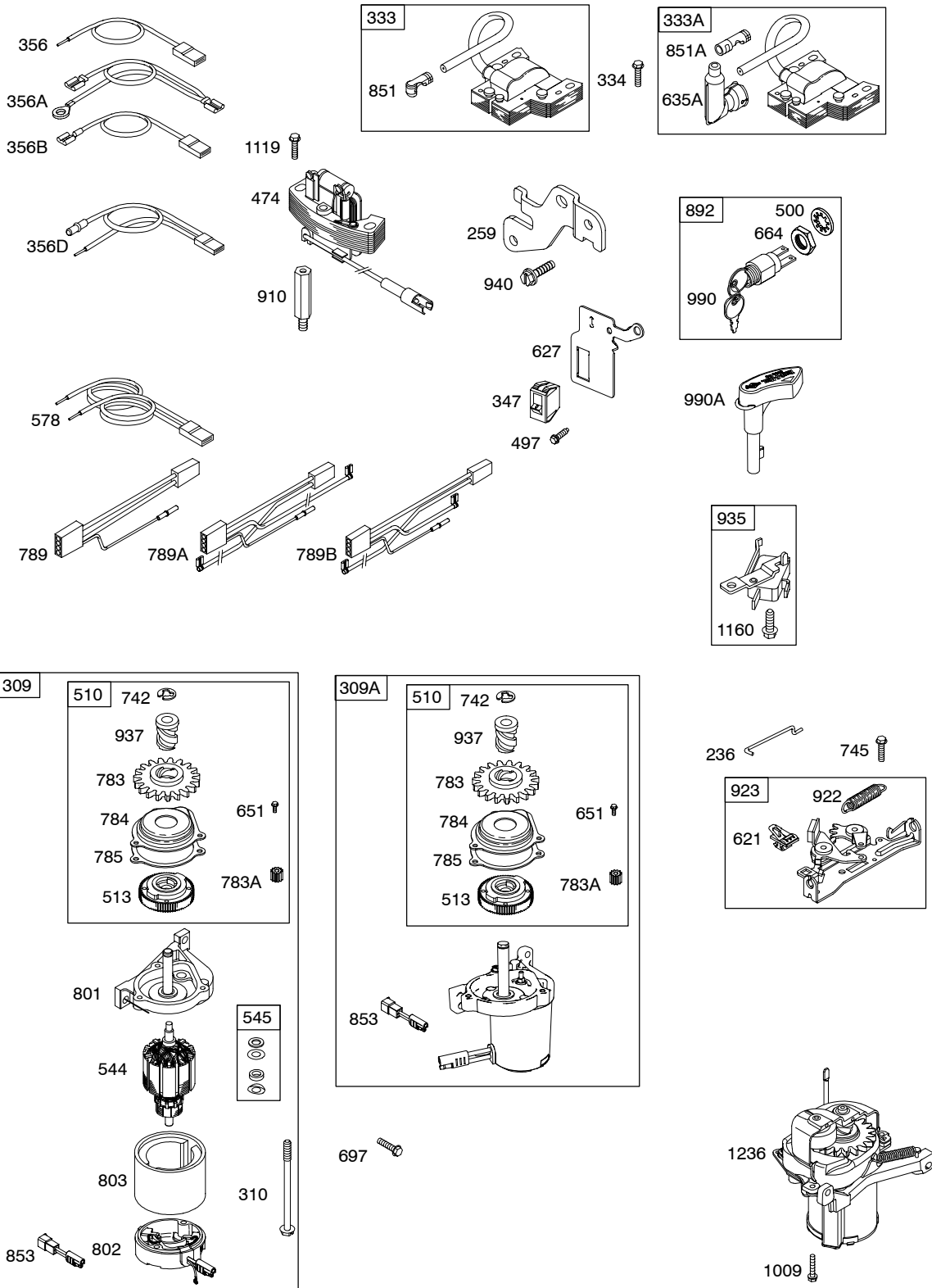
1036 EMISSIONS LABEL



Illustrations cover a range of engines. Parts shown without corresponding text may not be used on your specific engine.
0546-6 Assemblies include all parts shown in frames. **11/27/2007**



Illustrations cover a range of engines. Parts shown without corresponding text may not be used on your specific engine.
 0546-7 Assemblies include all parts shown in frames. 11/27/2007



Illustrations cover a range of engines. Parts shown without corresponding text may not be used on your specific engine.
0546-8 Assemblies include all parts shown in frames. **11/27/2007**

REF. NO.	PART NO.	DESCRIPTION	REF. NO.	PART NO.	DESCRIPTION	REF. NO.	PART NO.	DESCRIPTION
1	697322	Cylinder Assembly	5	691160	Head-Cylinder	12	★692232	Gasket-Crankcase
2	399269	Kit-Bushing/Seal	7	★∅692249	Gasket-Cylinder Head	13	690912	Screw (Cylinder Head)
3	★299819S	Seal-Oil (Magneto Side)	8	695250	Breather Assembly	15	691680	Plug-Oil Drain (Square Socket)
4	493279	Sump-Engine	9	★∅699833	Gasket-Breather	15A	691093	Plug-Oil Drain (Hex Socket)
		----- Note -----	10	94650	Screw (Breather Assembly)			
		498983 Sump-Engine	11	691781	Tube-Breather			
		Used on Type No(s).						
		0807, 0839, 0888,						
		1192, 1907, 1910,						
		1939, 1961, 1977,						
		2007, 2011, 2016,						
		2040, 2392, 2393,						
		2394, 2626, 2644,						
		2681, 3112, 3132,						
		3134, 3170, 4305,						
		4605, 4905, 4906.						
		696294 Sump-Engine						
		Used on Type No(s).						
		1716, 1721, 1726,						
		1770, 1774, 1925,						
		1927, 1932, 1935,						
		1956, 1973, 1984,						
		1985, 2041, 2111,						
		2323.						
4A	493365	Sump-Engine (Auxiliary PTO)						

★ Included in Engine Gasket Set-Ref. No.358.

● Included in Carburetor Overhaul Kit-Ref. No. 121.

◆ Included in Carburetor Gasket Set-Ref. No. 977.

∅ Included in Valve Gasket Set-Ref. No 1095.

Illustrations cover a range of engines. Parts shown without corresponding text may not be used on your specific engine.

0546-9

Assemblies include all parts shown in frames.

11/27/2007

128800

REF. NO.	PART NO.	DESCRIPTION	REF. NO.	PART NO.	DESCRIPTION	REF. NO.	PART NO.	DESCRIPTION
16	691451	Crankshaft (Used After Code Date 97011200). ----- Note ----- 694442 Crankshaft (Used Before Code Date 97011300). 691450 Crankshaft (Used After Code Date 97011200). Used on Type No(s). 0600,0808,0819,0851, 0861,0863,1108,1111, 1112,1113,1114,1119, 1121,1122,1123,1183, 1508,1535,1537,1700, 1781,1904,1908,1935, 1941,1942,1943,1945, 1948,1951,1958,1967, 1987,2039,2111,2311, 2312,2319,2608,2631, 2633,2646,2625,2676. 694440 Crankshaft (Used Before Code Date 97011300). Used on Type No(s). 0100,0208,0209,0211, 0212,0213,0214,0408, 0409,0508,0509,0518, 0600,0808,0819,0851, 0861,0863,1108,1111, 1112,1113,1114,1119, 1121,1122,1123,1183, 1508,1535,1537. 691452 Crankshaft (Used After Code Date 97011200). Used on Type No(s). 0662,0663,0817,0822, 0830,0831,0832,0833, 0834,0852,0866,0872, 0873,0874,0875,0876, 0891,0892,0898,0906, 0909,0910,0911,0915, 1125,1126,1166,1167, 1173,1187,1189,1194, 1366,1367,1515,1520, 1533,1539,1566,1567, 1568,1569,1716,1718,			1720,1722,1724,1771, 1776,1777,1909,1924, 1925,1932,1933,1936, 1952,1956,1957,1966, 1971,1972,1973,1974, 1976,1982,1983,1984, 1986,1998,2009,2014, 2018,2019,2020,2021, 2041,2044,2114,2321, 2322,2323,2334,2345, 2346,2366,2367,2609, 2641,2643,2666,2668, 2669,2670,3110,3136, 3168,3171. 694059 Crankshaft (Used Before Code Date 97011300). Used on Type No(s). 0266,0273,0411,0462, 0466,0467,0512,0514, 0515,0517,0520,0523, 0528,0531,0817,0822, 0830,0831,0832,0852, 0866,0872,0873,0874, 0875,0876,0891,0898, 0909,1125,1126,1166, 1167,1173,1187,1189, 1194,1366,1367,1515, 1520,1533,1539,1566, 1567. 691454 Crankshaft (Used After Code Date 97011200). Used on Type No(s). 0264,0284,0826,1536, 1926,1954,1955,2022. 692000 Crankshaft (Used Before Code Date 97011300). Used on Type No(s). 0264,0284,0826. 691455 Crankshaft (Used After Code Date 97011200). Used on Type No(s). 0908,1132,1193,1902, 1914,1994,2008,2105, 2318,2395,3112,3130, 3131.			691375 Crankshaft (Used Before Code Date 97011300). Used on Type No(s). 0908,1132,1193,2105, 692980 Crankshaft (Used After Code Date 97011200). Used on Type No(s). 0615,0658,1715,1758, 2010,2333,2920. 694443 Crankshaft (Used Before Code Date 97011300). Used on Type No(s). 0658,2333. 691482 Crankshaft (Used After Code Date 97011200). Used on Type No(s). 0807, 0839, 0888, 1192,1907,1910,1921, 1939,1961,1977,2007, 2011,2016,2040,2046, 2047,2332,2333,2392, 2393,2394,2626,2644, 2681,3134,4305,4605, 4905,4906. 493362 Crankshaft (Used Before Code Date 97011300). Used on Type No(s). 0807,0839,1192,1910, 1921,1961,2332,4305, 4605,4905,4906. 692717 Crankshaft Used on Type No(s). 3132,3135,3170. 696290 Crankshaft Used on Type No(s). 2325. 694441 Crankshaft Used on Type No(s). 0127,0157. 694478 Crankshaft Used on Type No(s). 1906.

★ Included in Engine Gasket Set-Ref. No.358.

● Included in Carburetor Overhaul Kit-Ref. No. 121.

◆ Included in Carburetor Gasket Set-Ref. No. 977.

⊘ Included in Valve Gasket Set-Ref. No 1095.

Illustrations cover a range of engines. Parts shown without corresponding text may not be used on your specific engine.

0546-10

Assemblies include all parts shown in frames.

11/27/2007

REF. NO.	PART NO.	DESCRIPTION	REF. NO.	PART NO.	DESCRIPTION	REF. NO.	PART NO.	DESCRIPTION
20	★399781S	Seal–Oil (PTO Side)	25	795429	Piston Assembly (Standard) (Used After Code Date 07090300).	26	795431	Ring Set (Standard) (Used After Code Date 07090300).
20A	★691952	Seal–Oil (PTO Side) (Auxiliary PTO)			----- Note -----			----- Note -----
22	691092	Screw (Crankcase Cover/ Sump)		791097	Piston Assembly (Used After Code Date 04031400 and Before Code Date 07090400).		791098	Ring Set (Standard) (Used After Code Date 04031400 and Before Code Date 07090400).
23A	691987	Flywheel ----- Note ----- 691992 Flywheel Used on Type No(s). 0807, 0832, 0888, 0892, 0906, 0910, 0912, 1124, 1125, 1126, 1127, 1132, 1192, 1193, 1367, 1724, 1777, 1907, 1914, 1933, 1957, 1982, 1994, 2007, 2011, 2015, 2016, 2040, 2105, 2316, 2318, 2325, 2332, 2333, 2392, 2394, 2395, 2643, 2644, 2677, 2678, 2682, 3112, 3131, 3132, 3135, 3170. 696291 Flywheel Used on Type No(s). 1716, 1721, 1726, 1769, 1774, 1925, 1927, 1932, 1935, 1956, 1984, 1985, 1986, 2041, 2111, 2323.		499429 Piston Assembly (Standard) (Used After Code Date 97011200 and Before Code Date 04031500).		499425 Ring Set (Standard) (Used After Code Date 97011200 and Before Code Date 04031500).		493261 Ring Set (Standard) (Used Before Code Date 97011300).
				493262 Piston Assembly (Standard) (Used Before Code Date 97011300).		795432 Ring Set (.020" Oversize) (Used After Code Date 07090300).		791324 Ring Set (.020" Oversize) (Used After Code Date 04102100 and Before Code Date 07090400).
				795430 Piston Assembly (.020" Oversize) (Used After Code Date 07090300).		499427 Ring Set (.020" Oversize) (Used After Code Date 97011200 and Before Code Date 04102200).		493389 Ring Set (.020" Oversize) (Used Before Code Date 97011300).
				791326 Piston Assembly (.020" Oversize) (Used After Code Date 04102100 and Before Code Date 07040400).		493390 Ring Set (.030" Oversize) (Used Before Code Date 97011300).		
				499431 Piston Assembly (.020" Oversize) (Used After Code Date 97011200 and Before Code Date 04102200).				
24	222698S	Key–Flywheel		493386 Piston Assembly (.020" Oversize) (Used Before Code Date 97011300).		27	691866	Lock–Piston Pin (Used After Code Date 97011200).
				493387 Piston Assembly (.030" Oversize) (Used Before Code Date 97011300).				----- Note ----- 691588 Lock–Piston Pin (Used Before Code Date 97011300).

★ Included in Engine Gasket Set–Ref. No.358.

● Included in Carburetor Overhaul Kit–Ref. No. 121.

◆ Included in Carburetor Gasket Set–Ref. No. 977.

⊘ Included in Valve Gasket Set–Ref. No 1095.

Illustrations cover a range of engines. Parts shown without corresponding text may not be used on your specific engine.

0546–11

Assemblies include all parts shown in frames.

11/27/2007

128800

REF. NO.	PART NO.	DESCRIPTION	REF. NO.	PART NO.	DESCRIPTION	REF. NO.	PART NO.	DESCRIPTION
28	499423	Pin-Piston (Standard) (Used After Code Date 97011200). ----- Note ----- 298909 Pin-Piston (Standard) (Used Before Code Date 97011300). 298908 Pin-Piston (.005" Oversize) (Used Before Code Date 97011300).	43	691997	Slinger-Governor/Oil ----- Note ----- 691486 Slinger-Governor/Oil Used on Type No(s). 0807, 0839, 0888, 1192, 1907, 1910, 1939, 1961, 1977, 2016, 2040, 2332, 2333, 2392, 2393, 2394, 2626, 2644, 3132, 3170, 4305, 4605, 4905, 4906.	50	497465	Manifold-Intake
29	499424	Rod-Connecting (Standard) (Used After Code Date 97011200). ----- Note ----- 490566 Rod-Connecting (Standard) (Used Before Code Date 97011300).	45	690548	Tappet-Valve	51	★272199S	Gasket-Intake
32	691664	Screw (Connecting Rod)	46	691449	Camshaft (Used After Code Date 96060200). ----- Note ----- 492830 Camshaft (Used Before Code Date 96060300).	54	691650	Screw (Intake Manifold)
32A	695759	Screw (Connecting Rod) (Used After Code Date 00042200).	46A	691459	Camshaft (Counterclockwise) Used on Type No(s). 0625, 0632, 0659, 0668, 0821, 0823, 0853, 0893, 0905, 1125, 1126, 1175, 1176, 1188, 1191, 1725, 1732, 1762, 1768, 1953, 1954, 1979, 1993, 2005, 2388, 2391, 2396, 2398, 3131, 3172.	55	691421	Housing-Rewind Starter
33	262651S	Valve-Exhaust				55A	492831	Housing-Rewind Starter
34	262652S	Valve-Intake				57	491889	Spring-Rewind Starter
35	691270	Spring-Valve (Intake)				58	280399S	Rope-Starter (Cut To Required Length) ----- Note ----- 791362 Rope-Starter Used on Type No(s). 1945.
36	691270	Spring-Valve (Exhaust)				59	396892	Insert-Grip
37	694086	Guard-Flywheel				59A	692594	Insert-Grip
40	692194	Retainer-Valve				60	281434S	Grip-Starter Rope (Pistol Grip)
						60A	393152	Grip-Starter Rope (2 Piece)
						60B	494212	Grip-Starter Rope
						65	690837	Screw (Rewind Starter)
						78	691108	Screw (Flywheel Guard)
						81	691740	Lock-Muffler Screw

★ Included in Engine Gasket Set-Ref. No.358.

● Included in Carburetor Overhaul Kit-Ref. No. 121.

◆ Included in Carburetor Gasket Set-Ref. No. 977.

⊘ Included in Valve Gasket Set-Ref. No 1095.

Illustrations cover a range of engines. Parts shown without corresponding text may not be used on your specific engine.

0546-12

Assemblies include all parts shown in frames.

11/27/2007

REF. NO.	PART NO.	DESCRIPTION	REF. NO.	PART NO.	DESCRIPTION	REF. NO.	PART NO.	DESCRIPTION
83	691778	Shaft-Auxiliary Drive ----- Note ----- 690521 Shaft-Auxiliary Drive Used on Type No(s). 0850, 0893, 0905, 1993, 2005. 690527 Shaft-Auxiliary Drive Used on Type No(s). 0668, 1188, 1191, 1762, 1768, 2391, 2388, 3131. 690522 Shaft-Auxiliary Drive Used on Type No(s). 2397.	117	494870	Jet-Main (Standard) (Used After Code Date 96060200). ----- Note ----- 497466 Jet-Main (Standard) (Used After Code Date 95102900 and Before Code Date 96060300). 494870 Jet-Main (Standard) (Used After Code Date 94070300 and Before Code Date 95103000). 493637 Jet-Main (Standard) (Used Before Code Date 94070400).	118	497315	Jet-Main (High Altitude) (Used After Code Date 96060200). ----- Note ----- 496495 Jet-Main (High Altitude) (Used After Code Date 95102900 and Before Code Date 96060300). 497315 Jet-Main High Altitude (Used After Code Date 94070300 and Before Code Date 95103000). 496063 Jet-Main High Altitude (Used Before Code Date 94070400).
94	● 493765	Kit-Idle Mixture	117A	498977	Jet-Main (Standard) (Used After Code Date 96060200). ----- Note ----- 493637 Jet-Main (Standard) (Used Before Code Date 96060300). 498978 Jet-Main (Standard) Used on Type No(s). 0807, 0839, 0888, 1192, 1907, 1910, 1921, 1939, 1961, 1977, 2007, 2011, 2040, 2046, 2047, 2318, 2332, 2333, 2392, 2393, 2394, 2395, 2626, 2644, 2681, 3112, 3132, 3134, 3135, 3170, 4305, 4605, 4905, 4906.	118A	498981	Jet-Main (High Altitude) (Used After Code Date 96060200). ----- Note ----- 494870 Jet-Main (High Altitude) (Used Before Code Date 96060300). 498975 Jet-Main (High Altitude) Used on Type No(s). 0807, 0839, 0888, 1192, 1907, 1910, 1921, 1939, 1961, 1977, 2007, 2011, 2040, 2046, 2047, 2318, 2332, 2333, 2392, 2393, 2394, 2395, 2626, 2644, 2681, 3112, 3132, 3134, 3135, 3170, 4305, 4605, 4905, 4906.
95	691636	Screw (Throttle Valve)			498981 Jet-Main (Standard) Used on Type No(s). 1724, 1728, 1729, 1772, 1773, 1906, 2325, 2643.	118B	498981	Jet-Main (High Altitude)
97	493267	Shaft-Throttle (Metal) ----- Note ----- 696565 Shaft-Throttle (Plastic)	117B	697355	Jet-Main (Standard)	118B	692677	Jet-Main (High Altitude)
98	398185	Kit-Idle Speed						
98A	493280	Kit-Idle Speed						
101	691623	Pin-Shaft						
101A	262626	Pin-Shaft						
104	● 691242	Pin-Float Hinge						
108	691182	Valve-Choke						
108A	790844	Valve-Choke						
109	494218	Shaft-Choke						
109A	498593	Shaft-Choke						
109B	790843	Shaft-Choke						

★ Included in Engine Gasket Set-Ref. No.358.

● Included in Carburetor Overhaul Kit-Ref. No. 121.

◆ Included in Carburetor Gasket Set-Ref. No. 977.

⊗ Included in Valve Gasket Set-Ref. No 1095.

Illustrations cover a range of engines. Parts shown without corresponding text may not be used on your specific engine.

0546-13

Assemblies include all parts shown in frames.

11/27/2007

128800

REF. NO.	PART NO.	DESCRIPTION	REF. NO.	PART NO.	DESCRIPTION	REF. NO.	PART NO.	DESCRIPTION
121	498260	Kit-Carburetor Overhaul	127	●694468	Plug-Welch (3/8" Diameter)	187	791766	Line-Fuel (Cut to Required Length)
125	498170	Carburetor (Primer System) (Used After Code Date 96060200).	127A	●691739	Plug-Welch (5/16" Diameter)			----- Note -----
		----- Note -----	130	691203	Valve-Throttle			791745 Line-Fuel (23" Long)(Cut to Required Length) (Used After Code Date 05063000). Used on Type No(s). 2105.
		498254 Carburetor (Primer System) (Used Before Code Date 96060300).			----- Note -----			296004 Line-Fuel (23" Long)(Cut to Required Length) (Used Before Code Date 05070100). Used on Type No(s). 2105.
		790821 Carburetor (Primer System) Used on Type No(s). 1771, 1781, 1946, 2042.	130A	691181	Valve-Throttle	187A	791873	Line-Fuel (Molded)
125A	498965	Carburetor (Choke System) (Used After Code Date 96060200).	133	398187	Float-Carburetor	187B	791891	Line-Fuel (Includes Filter) (Used After Code Date 05063000).
		----- Note -----	134	●398188	Kit-Needle/Seat			----- Note -----
		497501 Carburetor (Choke System) (Used Before Code Date 96060300).	137	◆693981	Gasket-Float Bowl			692042 Line-Fuel (Includes Filter) (Used Before Code Date 05070100).
		499059 Carburetor (Choke System) Used on Type No(s). 0807, 0839, 0888, 1192, 1907, 1910, 1921, 1939, 1961, 1977, 2007, 2011, 2040, 2046, 2047, 2318, 2332, 2333, 2392, 2393, 2394, 2395, 2626, 2644, 2681, 3112, 3132, 3134, 3135, 3170, 4305, 4605, 4905, 4906.	144	493824	Pulley/Spring Assembly	187C	791875	Line-Fuel (Molded)
		790978 Carburetor (Choke System) Used on Type No(s). 1724, 1728, 1729, 1772, 1773.	146	690979	Key-Timing	188	690877	Screw (Control Bracket)
		792253 Carburetor (Choke System) Used on Type No(s). 1906, 2325, 2643.	159	691753	Bracket-Air Cleaner Primer	190	690940	Screw (Fuel Tank)
125B	790845	Carburetor (Autochoke System)	163	◆272653	Gasket-Air Cleaner	202	691829	Link-Mechanical Governor

★ Included in Engine Gasket Set-Ref. No.358.

● Included in Carburetor Overhaul Kit-Ref. No. 121.

◆ Included in Carburetor Gasket Set-Ref. No. 977.

⊘ Included in Valve Gasket Set-Ref. No 1095.

Illustrations cover a range of engines. Parts shown without corresponding text may not be used on your specific engine.

0546-14

Assemblies include all parts shown in frames.

11/27/2007

REF. NO.	PART NO.	DESCRIPTION	REF. NO.	PART NO.	DESCRIPTION	REF. NO.	PART NO.	DESCRIPTION		
209	691292	Spring-Governor ----- Note ----- 691290 Spring-Governor Used on Type No(s). 2318. 691291 Spring-Governor Used on Type No(s). 1906, 1914, 1994, 2015, 2022, 2105, 2112, 2113, 2325, 2395, 3112, 3132, 3135, 3170. 691851 Spring-Governor Used on Type No(s). 0819, 0861, 1111, 1112, 1119, 1515, 1533, 2311, 2312, 2319, 2643, 2676, 3113, 3168. 699056 Spring-Governor Used on Type No(s). 0600, 0625, 0627, 0628, 0632, 0657, 0659, 0668, 0808, 0829, 0830, 0840, 0872, 0889, 0890, 0893, 0898, 0905, 0908, 1108, 1115, 1128, 1130, 1188, 1191, 1508, 1519, 1520, 1521, 1522, 1534, 1538, 1539, 1542, 1572, 1700, 1725, 1727, 1732, 1757, 1762, 1768, 1902, 1908, 1929, 1933, 1940, 1974, 1979, 1990, 1993, 1998, 2005, 2008, 2308, 2315, 2328, 2344, 2388, 2391, 2608, 2630, 2642, 2915, 2920, 3131.			691852 Spring-Governor Used on Type No(s). 0662, 0663, 1325, 1326, 1544, 1575, 1718, 1720, 1721, 1722, 1771, 1776, 1778, 1779, 1780, 1782, 1912, 1913, 1924, 1925, 1927, 1932, 1935, 1945, 1983, 1985, 2020, 2041, 2042, 2110, 2111, 2321, 2322, 2323, 2346, 2367, 2628, 2630, 2632, 2635, 2636, 2669, 2670, 2677, 2678, 2682, 3131. 691864 Spring-Governor Used on Type No(s). 1910, 1961, 2046, 2047, 2332, 2333, 2393, 2395, 2626, 4305, 4605, 4905, 4906. 690242 Spring-Governor Used on Type No(s). 0807, 0839, 0888, 1192, 1921, 2392, 2394. 690241 Spring-Governor Used on Type No(s). 0807, 0839, 0888, 1192, 1907, 1921, 1977, 2007, 2011, 2016, 2040, 2394, 2681, 3134.			209A	691835	Spring-Governor ----- Note ----- 690568 Spring-Governor Used on Type No(s). 0832, 1132, 1193. 691275 Spring-Governor Used on Type No(s). 0211, 0212, 0515, 0531. 262659 Spring-Governor Used on Type No(s). 0100, 0127, 0157, 0208, 0408, 0410, 0508, 0514. 262662 Spring-Governor Used on Type No(s). 0213, 0214. 691833 Spring-Governor Used on Type No(s). 0818, 0835. 691834 Spring-Governor Used on Type No(s). 0411, 0412, 0519, 0520, 0521, 0522, 0525, 1525. 690569 Spring-Governor Used on Type No(s). 0815, 0912. 693187 Spring-Governor Used on Type No(s). 2318. 791157 Spring-Governor Used on Type No(s). 1728, 1729, 1772, 1773. 792666 Spring-Governor Used on Type No(s). 1724

★ Included in Engine Gasket Set-Ref. No.358.

● Included in Carburetor Overhaul Kit-Ref. No. 121.

◆ Included in Carburetor Gasket Set-Ref. No. 977.

⊗ Included in Valve Gasket Set-Ref. No 1095.

Illustrations cover a range of engines. Parts shown without corresponding text may not be used on your specific engine.

0546-15

Assemblies include all parts shown in frames.

11/27/2007

128800

REF. NO.	PART NO.	DESCRIPTION	REF. NO.	PART NO.	DESCRIPTION	REF. NO.	PART NO.	DESCRIPTION
217	690354	Spring-Choke Return	231	691636	Screw (Choke Valve)	304	493293	Housing-Blower (Used on Engines With Band Brake)
222	790143	Bracket-Control (Remote/Manual Friction)(Primer)	236	691826	Link-Lockout			----- Note -----
222A	692021	Bracket-Control (Remote Choke A Matic, Non Com- pliance) ----- Note ----- 690839 Bracket- Control (Manual Friction) (Choke A Matic) Used on Type No(s). 1132, 1193.	240	298090S	Filter-Fuel			493294 Housing- Blower (Used on Engines Without Band Brake)
			259	691223	Bracket-Casing Clamp			696298 Housing- Blower Used on Type No(s). 1716,1721,1726,1769, 1774,1925,1927,1932, 1935,1956,1973,1984, 1985,1986,2041,2111, 2323.
			265	690798	Clamp-Casing			695892 Housing- Blower Used on Type No(s). 1780,1781,1904,1905, 1908,1942,1946,1948, 1958,1971,2109,2112, 2308.
			265A	691024	Clamp-Casing			694879 Housing- Blower Used on Type No(s). 1902.
			267	691044	Screw (Casing Clamp)			790826 Housing- Blower Used on Type No(s). 1779,1782,1916,1918, 1943,1945,1987,2048.
			268	691025	Casing-Control Wire (Cut to Required Length)			791291 Housing- Blower Used on Type No(s). 1777.
			269	691026	Wire-Control (Cut to Required Length)			790983 Housing- Blower Used on Type No(s). 1778,2049.
			270	691027	Nut (Control Wire Casing)			695892 Housing- Blower (Used After Code Date 06081300). Used on Type No(s). 1771,1773,1926,1950, 1951,1952,2042,2635.
			271	691028	Lever-Control			493293 Housing- Blower (Used Before Code Date 06081400). Used on Type No(s). 1771,1773,1926,1950, 1951,1952,2042,2635.
			276 ♦	271716	Washer-Sealing			
222C	692150	Bracket-Control	276A	280973	Washer-Sealing			
222D	692467	Bracket-Control (Remote/Manual Friction)(Variable Speed, and 5 Position Manual Choke Without Stopswitch) ----- Note ----- 791128 Bracket- Control Used on Type No(s). 1774, 1916, 1918, 1941, 1942, 1943, 1945, 1958, 1967, 2111.	287	690940	Screw (Dipstick Tube)			
			291	790830	Thermostat			
			300	496106S	Muffler (Tuned) ----- Note ----- 790828 Muffler Used on Type No(s). 1777, 1778, 1779, 1782, 1916, 1918, 1943, 1945, 1987, 2048, 2049. 692038 Muffler Used on Type No(s). 1781.			
222E	692982	Bracket-Control (Fixed Speed, and 5 Position Manual Choke)	300A	494343S	Muffler (Square Lo Tone)			
227	690783	Lever-Governor Control	300B	497681	Muffler (Catalyst)			

★ Included in Engine Gasket Set-Ref. No.358.

● Included in Carburetor Overhaul Kit-Ref. No. 121.

♦ Included in Carburetor Gasket Set-Ref. No. 977.

⊘ Included in Valve Gasket Set-Ref. No 1095.

Illustrations cover a range of engines. Parts shown without corresponding text may not be used on your specific engine.

0546-16

Assemblies include all parts shown in frames.

11/27/2007

REF. NO.	PART NO.	DESCRIPTION	REF. NO.	PART NO.	DESCRIPTION	REF. NO.	PART NO.	DESCRIPTION
305	691108	Screw (Blower Housing)	337	802592S	Plug-Spark (Resistor)	544	690786	Armature-Starter
306	690450	Shield-Cylinder			----- Note -----	545	492919	Washer Set (Starter Motor)
306A	790836	Shield-Cylinder			697451 Plug-Spark (EMS)	562	691119	Bolt (Governor Control Lever)
307	690345	Screw (Cylinder Shield)	346	690661	Screw (Spark Arrestor)	564	690664	Screw (Control Cover)
309	695550	Motor-Starter (Used Before Code Date 07052900).	347	691396	Switch-Rocker	564A	691142	Screw (Control Cover)
309A	795092	Motor-Starter (Used After Code Date 07052800).	356	692390	Wire-Stop	564B	698589	Screw (Control Cover)
310	692327	Bolt (Starter Motor)	356A	690650	Wire-Stop	578	398153	Wire Assembly
332	690662	Nut (Flywheel)	356B	693010	Wire-Stop	584	697734	Cover-Breather Passage
333	802574	Armature-Magneto ----- Note ----- 790817 Armature- Magneto Used on Type No(s). 1771, 1772, 1773, 1946, 2042.	356D	496381	Wire-Stop	585	★691879	Gasket-Breather Passage
333A	792640	Armature-Magneto (Screw On Spark Plug Boot) ----- Note ----- 793353 Armature- Magneto (Snap In Spark Plug Boot) 792631 Armature- Magneto (Screw On Spark Plug Boot) Used on Type No(s). 1771, 1772, 1773, 2042. 793354 Armature- Magneto (Snap In Spark Plug Boot) Used on Type No(s). 1771, 1772, 1773, 1778, 1779, 1781, 1782, 2042, 2048, 2049.	357	695867	Key-Drive Pulley	592	690800	Nut (Rewind Starter)
			358	497316	Gasket Set-Engine	597	691696	Screw (Pawl Friction Plate)
			363	19069	Flywheel Puller	601	791850	Clamp-Hose
			365	691688	Screw (Carburetor)	601A	691038	Clamp-Hose
			374	691074	Washer (Camshaft)	604	691757	Cover-Control
			383	89838S	Wrench-Spark Plug	604A	691344	Cover-Control
			404	690272	Washer (Governor Crank)	604B	790703	Cover-Control
			425A	690670	Screw (Air Cleaner Cover)	604D	793770	Cover-Control
			443A	692523	Screw (Air Cleaner Primer Base)	608	497680	Starter-Rewind ----- Note -----
			445A	491588S	Filter-Air Cleaner Cartridge			791363 Starter- Rewind Used on Type No(s). 1945.
			455	791960	Cup-Flywheel	608A	497598	Starter-Rewind
			455A	224250	Cup-Flywheel	613	691340	Screw (Muffler) ----- Note -----
			456	692299	Plate-Pawl Friction			790833 Screw (Muffler) Used on Type No(s). 1777, 1778, 1779, 1782, 1916, 1918, 1943, 1945, 1987, 2048, 2049.
			456A	224321	Plate-Pawl Friction	613A	691653	Screw (Muffler)
			459	281505S	Pawl-Ratchet	613B	691114	Screw (Muffler)
			459A	492833	Pawl-Ratchet			
			474	691991	Alternator			
			497	690664	Screw (Stopswitch Bracket)			
			500	691086	Washer (Key Switch)			
			505	691251	Nut (Governor Control Lever)			
			510	795093	Drive-Starter			
			513	692358	Drive-Clutch			
			523	499621	Dipstick			
			524	★692296	Seal-Dipstick Tube			
			525	495265	Tube-Dipstick			
			529	691923	Grommet			
334	691061	Screw (Magneto Armature)						

★ Included in Engine Gasket Set-Ref. No.358.

● Included in Carburetor Overhaul Kit-Ref. No. 121.

◆ Included in Carburetor Gasket Set-Ref. No. 977.

⊘ Included in Valve Gasket Set-Ref. No 1095.

Illustrations cover a range of engines. Parts shown without corresponding text may not be used on your specific engine.

0546-17

Assemblies include all parts shown in frames.

11/27/2007

128800

REF. NO.	PART NO.	DESCRIPTION	REF. NO.	PART NO.	DESCRIPTION	REF. NO.	PART NO.	DESCRIPTION
615	690340	Retainer-Governor Shaft	677	690661	Screw (Muffler Deflector)	789	695551	Harness-Wiring (Used After Code Date 00040600).
616	698801	Crank-Governor	678	224278	Spacer-Rewind			----- Note -----
617	★◆270344	Seal-O Ring (Intake Manifold)	684	690345	Screw (Breather Passage Cover)			690790 Harness-Wiring (Used Before Code Date 00040700).
621	692310	Switch-Stop	689	691855	Spring-Friction	789A	691372	Harness-Wiring (Used Before Code Date 00040700).
627	692872	Bracket-Stop Switch	689A	262625	Spring-Friction			----- Note -----
		----- Note -----	692	690572	Spring-Detent			789B 69547 Harness-Wiring
		792565 Bracket-Stop Switch	697	691127	Screw (Drive Cap)	801	690782	Cap-Drive
		Used on Type No(s). 1907, 1977, 2040, 2046, 2047, 4305.	715	691147	Screw (Stop Shaft)	802	695267	Cap-End (Used After Code Date 00040600).
633	◆691321	Seal-Choke/Throttle Shaft (Throttle Shaft)	718	690959	Pin-Locating			----- Note -----
633A	◆693867	Seal-Choke/Throttle Shaft (Choke)	721	690449	Stop-Shaft			695975 Cap-End (Used Before Code Date 00040700).
635	66538S	Boot-Spark Plug	741	794388	Gear-Timing (Use Without Woodruff Key)	803	695266	Housing-Starter (Used After Code Date 00040600).
635A	792597	Boot-Spark Plug (Screw On Style)			(Used After Code Date 07093000).			----- Note -----
		----- Note -----			790345 Gear-Timing (Use Without Woodruff Key)			695975 Housing-Starter (Used Before Code Date 00040700).
		793351 Boot-Spark Plug (Snap On Style)			(Used Before Code Date 07100100).			----- Note -----
651	691660	Screw (Starter Gear Cover)			691830 Gear-Timing (Uses Woodruff Key)			832 499034 Guard-Muffler (Super Lo Tone Tuned)
664	691087	Nut (Key Switch)	742	93941	Retainer-E Ring	832A	691424	Guard-Muffler (Square Lo Tone)
668	★493823	Spacer (Includes 2)	743	691772	Gear-Drive (Counterclockwise)	832B	497683	Guard-Muffler (Super Lo Tone Catalyst)
670	692294	Spacer-Fuel Tank			----- Note -----			836 690664 Screw (Muffler Guard)
676	396548	Deflector-Muffler (Single Louver)			690516 Gear-Drive (Clockwise)	836B	690661	Screw (Muffler Guard)
676B	397931	Deflector-Muffler (Direct Out) (3/4" Diameter)			Used on Type No(s). 1955.	842	★691031	Seal-O Ring (Dipstick Tube)
676C	493871	Deflector-Muffler (Side Out) (Extended) (17/32" Deep)	745	691648	Screw (Brake)			
676D	497682	Deflector-Muffler (Direct Out) (1 3/16" Diameter)	783	691918	Gear-Pinion (Starter Drive) (19 Teeth)			
676E	393760	Deflector-Muffler (Side Out) (7/16" Deep)	783A	691269	Gear-Pinion (12 Teeth)			
			784	795095	Cover-Starter Gear			
			785	692352	Gasket-Starter Cover			

★ Included in Engine Gasket Set-Ref. No.358.

● Included in Carburetor Overhaul Kit-Ref. No. 121.

◆ Included in Carburetor Gasket Set-Ref. No. 977.

⊘ Included in Valve Gasket Set-Ref. No 1095.

Illustrations cover a range of engines. Parts shown without corresponding text may not be used on your specific engine.

0546-18

Assemblies include all parts shown in frames.

11/27/2007

REF. NO.	PART NO.	DESCRIPTION	REF. NO.	PART NO.	DESCRIPTION	REF. NO.	PART NO.	DESCRIPTION
843	691884	Sleeve-Lever (Speed Control)	922	691831	Spring-Brake ----- Note -----	925	795403	Cover-Linkage (Used After Code Date 07072200).
843A	691895	Sleeve-Lever (Choke)		692135	Spring-Brake Used on Type No(s). 1780, 1781, 1904, 1905, 1908, 1916, 1918, 1942, 1943, 1945, 1946, 1948, 1958, 1971, 1987, 2048, 2109, 2112, 2308.			----- Note -----
847	692047	Dipstick/Tube Assembly						690595 Cover- Linkage (Used Before Code Date 07072300).
851	493880S	Terminal-Spark Plug				930	691919	Guard-Rewind (Round)
851A	692424	Terminal-Spark Plug				930A	691345	Guard-Rewind (Teardrop)
853	695268	Adapter-Wire ----- Note ----- 698471 Adapter-Wire Used on Type No(s). 2110, 2113.				935	499421	Switch-Interlock
868	697338	Seal-Valve				937	691325	Spline-Starter
869	691155	Seat-Valve (Intake)				940	690664	Screw (Casing Clamp Bracket)
870	690380	Seat-Valve (Exhaust)				957	397974S	Cap-Fuel Tank (Plastic)
871	262001	Bushing-Valve Guide (Exhaust) ----- Note ----- 63709 Bushing-Valve Guide (Intake)				957B	699985	Cap-Fuel Tank (Plastic)
883	★∅691881	Gasket-Exhaust	923	691994	Brake ----- Note ----- 695891 Brake Used on Type No(s). 1780, 1781, 1904, 1905, 1908, 1916, 1918, 1942, 1943, 1945, 1946, 1948, 1958, 1971, 1987, 2048, 2109, 2112, 2308.	958	698183	Valve-Fuel Shut Off (Plastic)
892	690646	Switch-Key				966A	496116	Base-Air Cleaner Primer
910	691094	Stud (Alternator)				966B	792040	Base-Air Cleaner Primer
921	497233	Cover-Blower Housing				967A	493537S	Filter-Pre Cleaner
921A	695886	Cover-Blower Housing				968B	692298	Cover-Air Cleaner Screw (Blower Housing Cover)
921B	692931	Cover-Blower Housing				969	690700	Screw (Blower Housing Cover)
921E	696262	Cover-Blower Housing				969A	691138	Screw (Blower Housing Cover)
921F	697343	Cover-Blower Housing				970	691669	Screw (Air Cleaner Primer Bracket)
921G	790701	Cover-Blower Housing				972B	699374	Tank-Fuel (Plastic) ----- Note -----
921H	790037	Cover-Blower Housing						699387 Tank-Fuel (Plastic) Used on Type No(s). 1716, 1721, 1726, 1769, 1770, 1925, 1927, 1932, 1935, 1956, 1973, 1984, 1985, 1986, 2041, 2111, 2323.
921J	790036	Cover-Blower Housing						
921K	699984	Cover-Blower Housing						
921R	793771	Cover-Blower Housing						

★ Included in Engine Gasket Set-Ref. No.358.

● Included in Carburetor Overhaul Kit-Ref. No. 121.

◆ Included in Carburetor Gasket Set-Ref. No. 977.

∅ Included in Valve Gasket Set-Ref. No 1095.

Illustrations cover a range of engines. Parts shown without corresponding text may not be used on your specific engine.

0546-19

Assemblies include all parts shown in frames.

11/27/2007

128800

REF. NO.	PART NO.	DESCRIPTION	REF. NO.	PART NO.	DESCRIPTION	REF. NO.	PART NO.	DESCRIPTION
975	493640	Bowl-Float	1095	498528	Gasket Set-Valve	1211	498144	Pulley/Spring Assembly
976	694395	Primer-Carburetor	1102	691255	Pilot-Guide			(Spring)
977	498261	Gasket Set-Carburetor			Used on Type No(s).	1236	695959	Starter-Mechanical (Touch N Mow)
990	691959	Key Set			0807, 0839, 0888,			(Do Not Service Individual Parts, Only As A Whole)
990A	695951	Key Set			1192, 1907, 1910,			----- Note -----
994	398067	Arrestor-Spark			1939, 1977, 2007.			699914 Starter-Mechanical
1009	696255	Screw (Starter Motor)			2011, 2016, 2040,			(Touch N Mow)
1005	691346	Fan-Flywheel			2392, 2394, 2644,			(Do Not Service Individual Parts, Only As A Whole)
1019	494256	Kit-Label			2681, 3134, 3170,			Used on Type No(s).
		----- Note -----			4305, 4605, 4905,			1769, 1986, 2041.
		790231 Kit-Label			4906.			
		(Touch N Mow)			----- Note -----			
1036		Label-Emissions (Available From A Briggs & Statton Authorized Dealer)			691266 Pilot-Guide			
					Used on Type No(s).			
1058	277039	Operator's Manual	1119	691648	Screw (Alternator)	1319	794467	Label-Warning
1059	692311	Kit-Screw/Washer	1134	224322	Washer (Pawl Friction Plate)	1330	270962	Manual-Repair
		----- Note -----	1160	690345	Screw (Interlock Switch)	1386	790848	Vane-Air (Autochoke System)
		696293 Kit-Screw/Washer	1210	498144	Pulley/Spring Assembly (Pulley)	1387	790849	Spring-Air Vane
		Used on Type No(s).				1388	790850	Screw (Air Vane) (Autochoke System)
		1716, 1721, 1726,						
		1769, 1770, 1925,						
		1927, 1932, 1935,						
		1956, 1973, 1984,						
		1985, 1986, 2041,						
		2323.						

★ Included in Engine Gasket Set-Ref. No.358.

● Included in Carburetor Overhaul Kit-Ref. No. 121.

◆ Included in Carburetor Gasket Set-Ref. No. 977.

⊘ Included in Valve Gasket Set-Ref. No.1095.

Illustrations cover a range of engines. Parts shown without corresponding text may not be used on your specific engine.

0546-20

Assemblies include all parts shown in frames.

11/27/2007

Free Manuals Download Website

<http://myh66.com>

<http://usermanuals.us>

<http://www.somanuals.com>

<http://www.4manuals.cc>

<http://www.manual-lib.com>

<http://www.404manual.com>

<http://www.luxmanual.com>

<http://aubethermostatmanual.com>

Golf course search by state

<http://golfingnear.com>

Email search by domain

<http://emailbydomain.com>

Auto manuals search

<http://auto.somanuals.com>

TV manuals search

<http://tv.somanuals.com>