



Home Generator Systems

Installation & Start-Up Manual



45000 Series Liquid-Cooled Home Generator System

Manual No. 2050496S Rev. - (01/28/2008)

Thank you for purchasing this quality-built Briggs & Stratton home generator. We're pleased that you've placed your confidence in the Briggs & Stratton brand. When operated and maintained according to the instructions in the operator's manual, your Briggs & Stratton home generator will provide many years of dependable service.

This manual contains safety information to make you aware of the hazards and risks associated with home generator systems and how to avoid them. This home generator system is designed and intended only for use as an optional home standby system that provides an alternate source of electric power and to serve loads such as heating, refrigeration systems, and communication systems that, when stopped during any power outage, could cause discomfort or inconvenience. This product is not intended for any other purpose and does not qualify for emergency standby as defined by NFPA 70 (NEC).

This home generator requires professional installation before use. This installation manual provides full information. Follow the instructions completely. **Save these instructions for future reference.**

Where to Find Us

You never have to look far to find Briggs & Stratton support and service for your generator. Consult your Yellow Pages. There are thousands of Briggs & Stratton authorized service dealers worldwide who provide quality service. You can also contact Briggs & Stratton Customer Service by phone at **(800) 743-4115**, or use the Service Center Locator at BRIGGSandSTRATTON.COM, which provides a list of Briggs & Stratton Authorized Dealers.

Date of Purchase

Generator

Model Number

Model Revision

Serial Number

Engine

Model Number

Serial Number

Briggs & Stratton Power Products Group, LLC
900 North Parkway
Jefferson, WI 53549

Copyright © 2008 Briggs & Stratton Power Products Group, LLC.
All rights reserved. No part of this material may be reproduced or transmitted in any form by any means without the express written permission of Briggs & Stratton Power Products Group, LLC.

Table of Contents

Safety Rules	4
Installation	7
Installer Responsibilities	7
Delivery Inspection	7
Shipment Contents	7
Home Generator Location	8
Access Doors	10
The Gaseous Fuel System	10
Fuel Consumption	12
System Connectors	13
Grounding the Generator	14
Utility Circuit Connection	14
System Control Panel	15
Final Installation Considerations	15
Fuel Supply System	16
Initial Start-up (No Load)	16
Fuel Conversion	16
Schematic / Wiring Diagram	17
Controls	18
Operation	18
Automatic Operation Sequence	18
Setting Exercise Timer	18
Installation Inspection	18

Safety

Installation

Controls

Operation

Español

es

Français

fr

Save These Instructions












Safety Rules




The safety alert symbol (▲) is used with a signal word (DANGER, CAUTION, WARNING), a pictorial and/or a safety message to alert you to hazards. **DANGER** indicates a hazard which, if not avoided, will result in death or serious injury. **WARNING** indicates a hazard which, if not avoided, could result in death or serious injury. **CAUTION** indicates a hazard which, if not avoided, might result in minor or moderate injury. **NOTICE** indicates a situation that could result in equipment damage. Follow safety messages to avoid or reduce the risk of injury or death.


This manual contains installation, startup and adjustment instructions for a home generator that supplies 120/240 Volt, single phase, 60Hz devices. The home generator may be operated on LP vapor or natural gas fuel. Separate engine and generator operator's manuals are supplied that contain operating and maintenance instructions for this system.

Every effort has been made to ensure that the information in this manual is both accurate and current. However, the manufacturer reserves the right to change, alter or otherwise improve the system at any time without prior notice.



Hazard Symbols and Meanings




		
Explosion	Fire	Electrical Shock
		
Toxic Fumes	Rotating Parts	Hot Surface
		
Auto Start	Explosive Pressure	Chemical Burn
		
Lift Hazard	Read Manual	




▲ WARNING	
  	<p>Storage batteries give off explosive hydrogen gas during recharging. Slightest spark will ignite hydrogen and cause explosion.</p> <p>Battery electrolyte fluid contains acid and is extremely caustic.</p> <p>Contact with battery contents will cause severe chemical burns.</p> <p>A battery presents a risk of electrical shock and high short circuit current.</p>
<ul style="list-style-type: none"> • DO NOT dispose of battery in a fire. • DO NOT allow any open flame, spark, heat, or lit cigarette during and for several minutes after charging a battery. • DO NOT open or mutilate the battery. • Wear protective goggles, rubber apron, and rubber gloves. • Remove watches, rings, or other metal objects. • Use tools with insulated handles. 	

▲ WARNING	
	<p>Running engine gives off carbon monoxide, an odorless, colorless, poison gas. Breathing carbon monoxide can cause headache, fatigue, dizziness, vomiting, confusion, seizures, nausea, fainting or death.</p>
<ul style="list-style-type: none"> • Operate generator ONLY outdoors. • Install a battery operated carbon monoxide alarm near the bedrooms. • Keep exhaust gas from entering a confined area through windows, doors, ventilation intakes, or other openings. 	



▲ WARNING	
<p>The engine exhaust from this product contains chemicals known to the State of California to cause cancer, birth defects, or other reproductive harm.</p>	

 WARNING	
	<p>Generator produces hazardous voltage. Failure to properly ground generator can result in electrocution. Failure to isolate generator from power utility can result in death or injury to electric utility workers due to backfeed of electrical energy.</p>
<ul style="list-style-type: none"> • When using generator for backup power, notify utility company. • DO NOT touch bare wires or receptacles. • DO NOT handle generator or electrical cords while standing in water, while barefoot, or while hands or feet are wet. • If you must work around a unit while it is operating, stand on an insulated dry surface to reduce shock hazard. • DO NOT allow unqualified persons or children to operate or service generator. • In case of an accident caused by electrical shock, immediately shut down the source of electrical power and contact the local authorities. Avoid direct contact with the victim. • Despite the safe design of the home generator, operating this equipment imprudently, neglecting its maintenance or being careless can cause possible injury or death. • Remain alert at all times while working on this equipment. Never work on the equipment when you are physically or mentally fatigued. • Before performing any maintenance on the generator, disconnect the battery cable indicated by a NEGATIVE, NEG or (-) first. When finished, reconnect that cable last. • After your home generator is installed, the generator may crank and start without warning any time there is a power failure. To prevent possible injury, always set the generator's system switch to OFF AND remove the 15 Amp fuse BEFORE working on the equipment. 	

 WARNING	
	Propane and Natural Gas are extremely flammable and explosive.
	Fire or explosion can cause severe burns or death.
<ul style="list-style-type: none"> • Install the fuel supply system according to applicable fuel-gas codes. • Before placing the home generator into service, the fuel system lines must be properly purged and leak tested. • After the generator is installed, you should inspect the fuel system periodically. • NO leakage is permitted. • DO NOT operate engine if smell of fuel is present or other explosive conditions exist. • DO NOT smoke around the generator. Wipe up any oil spills immediately. Ensure that no combustible materials are left in the generator compartment. Keep the area near the generator clean and free of debris. 	


 WARNING	
	Hazardous Voltage Contact with power lines can cause electric shock or burn.
	Lifting Hazard / Heavy Object Can cause muscle strain or back injury.
<ul style="list-style-type: none"> • DO NOT contact any power lines when using required lifting/hoisting equipment. • DO NOT lift or move generator without assistance. • Use lifting pipes or straps as described in <i>Lifting the Generator</i>. The unit may shift during movement, which can cause injury. • DO NOT lift unit by roof as damage to generator will occur. 	

⚠ WARNING

	Contact with muffler area can result in serious burns.
	Exhaust heat/gases can ignite combustibles or structures causing a fire.

- DO NOT touch hot parts and AVOID hot exhaust gases.
- Allow equipment to cool before touching.
- DO NOT install the generator closer than 5 feet (1.5m) from any combustibles or structures with combustible walls having a fire resistance rating of less than 1 hour.
- Code of Federal Regulation (CFR) Title 36 Parks, Forests, and Public Property require equipment powered by an internal combustion engine to have a spark arrester, maintained in effective working order, complying to USDA Forest service standard 5100-1C or later revision. In the State of California a spark arrester is required under section 4442 of the California Public resources code. Other states may have similar laws.

⚠ WARNING

	Starter and other rotating parts can entangle hands, hair, clothing, or accessories.
------------------------------------------------------------------------------------	--------------------------------------------------------------------------------------

- NEVER operate generator without protective housing or covers.
- DO NOT wear loose clothing, jewelry or anything that may be caught in the starter or other rotating parts.
- Tie up long hair and remove jewelry.

⚠ CAUTION

Excessively high operating speeds increase risk of injury and damage to generator.

Excessively low speeds impose a heavy load.

- DO NOT tamper with governed speed. Generator supplies correct rated frequency and voltage when running at governed speed.
- DO NOT modify generator in any way.

NOTICE

Exceeding generators wattage/amperage capacity can damage generator and/or electrical devices connected to it.

- See *Essential Circuits* in Operator's manual.
- Start generator and let engine stabilize before connecting electrical loads.

NOTICE

Improper treatment of generator can damage it and shorten its life.

- Use generator only for intended uses.
- If you have questions about intended use, ask dealer or contact Briggs and Stratton.
- Operate generator only on level surfaces.
- Adequate, unobstructed flow of cooling and ventilating air is critical to correct generator operation.
- The Coolant Fill, Battery and Control Panel doors must be installed whenever the unit is running.
- DO NOT expose generator to excessive moisture, dust, dirt, or corrosive vapors.
- Despite the safe design of the home generator, operating this equipment imprudently, neglecting its maintenance or being careless can cause possible injury or death.
- DO NOT start engine with air cleaner or air cleaner cover removed.
- DO NOT insert any objects through cooling slots.
- DO NOT use the generator or any of its parts as a step. Stepping on the unit can cause stress and break parts. This may result in dangerous operating conditions from leaking exhaust gases, fuel leakage, oil leakage, etc.
- If connected devices overheat, turn them off and disconnect them from generator.
- Shut off generator if:
 - electrical output is lost;
 - equipment sparks, smokes, or emits flames;
 - unit vibrates excessively.

Installation

Equipment Description

This product is intended for use as an optional home generator system which provides an alternate source of electric power and to serve loads such as heating, refrigeration systems, and communication systems that, when stopped during any power outage, could cause discomfort or inconvenience. This product does not qualify for emergency standby as defined by NFPA 70 (NEC).

Customer Responsibilities

- Read and follow the instructions given in the Operator's Manual, especially the section regarding selecting essential circuits.
- Follow a regular schedule in maintaining, caring for and using your home generator, as specified in the Operator's Manual.

Installer Responsibilities

- Read and observe the safety rules.
- Install only an UL approved transfer switches that is compatible with the home generator.
- Read and follow the instructions given in this Installation and Start-up Manual.

IMPORTANT: The system is equipped with a water heater that is activated when ambient temperature is less than 80°F AND utility power is present at the transfer switch.

Unpacking Precautions

The unit is shipped ready for installation on a prepared reinforced cement slab or engineered base. Avoid damage from dropping, bumping, collision, etc. Store and unpack carton with the proper side up, as noted on the shipping carton.

Delivery Inspection

After removing the carton, carefully inspect the home generator for any damage that may have occurred during shipment.

IMPORTANT: If loss or damage is noted at time of delivery, have the person(s) making delivery note all damage on the freight bill and affix his signature under the consignor's memo of loss or damage. If loss or damage is noted after delivery, separate the damaged materials and contact the carrier for claim procedures. Missing or damaged parts are not warranted.

Shipment Contents

The home generator system is supplied with:

- Home generator
- Fully-serviced coolant system
- Fully-serviced oil/lubricating system
- UL569/CSA8.3-listed flexible fuel hook-up
- Installation and start-up manual
- Operator's manual
- Engine operator's manual
- Installation checklist
- Two access door keys
- One spare 15A fuse
- 10 Pole control panel connector
- Remote LED indicator kit (red LED/plate/screws)

Not Supplied:


- 650 CCA starting battery (NOT deep-cycle)
- Connecting wire and conduit
- Fuel supply valves/plumbing

Required Specialty Tools/Equipment

- Two 60" lengths of 2" Schedule 40 pipe (NOT conduit)
- Lifting straps, chains or cables
- Hole punches for 7 ga steel
- Torque screwdriver, 5 to 50 inch-pound range
- Ignition Timing Light
- Air Fuel Ratio Meter (O2 Sensor and Analyzer)


Home Generator Location

Before installing generator, consult with homeowner and convey the following guidelines which may affect the desired location.

⚠ WARNING	
	Exhaust heat / gasses can ignite combustibles or structures causing a fire.
<ul style="list-style-type: none"> • DO NOT install the generator closer than 5 feet (1.5m) from any combustibles or structures with combustible walls having a fire resistance rating of less than 1 hour. 	

Generator Location

Install generator outdoors in an area which will not accumulate deadly exhaust gas. DO NOT install generator where exhaust gas could accumulate and enter inside or be drawn into a potentially occupied building. Ensure exhaust gas is kept away from any windows, doors, ventilation intakes or other openings that can allow exhaust gas to collect in a confined area. Prevailing winds and air currents should be taken into consideration when positioning generator.

⚠ WARNING	
	<p>Running engine gives off carbon monoxide, an odorless, colorless, poison gas.</p> <p>Breathing carbon monoxide can cause headache, fatigue, dizziness, vomiting, confusion, seizures, nausea, fainting, or death.</p>
<ul style="list-style-type: none"> • Operate generator ONLY outdoors. • Install a battery operated carbon monoxide alarm near the bedrooms. • Keep exhaust gas from entering a confined area through windows, doors, ventilation intakes, or other openings. 	

General Location Guidelines

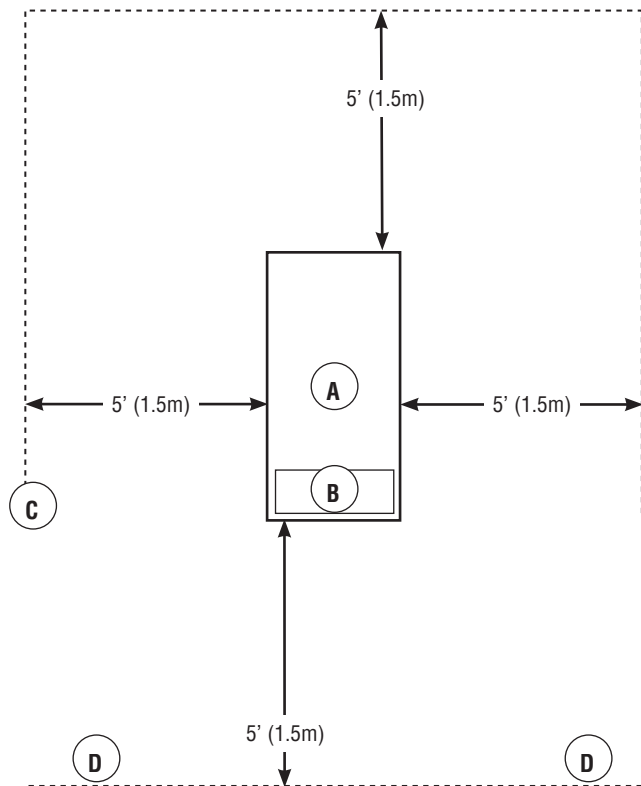
- Install the unit outdoors ONLY.
- Place the unit on a prepared concrete slab that is flat, level, and has provisions for water drainage.
- Install the unit in a location where sump pump discharge, rain gutter down spouts, roof run-off, landscape irrigation, or water sprinklers will not flood the unit or spray the enclosure and enter any air inlet or outlet openings.
- Install the unit where the location of any services such as phone, electrical, fuel, air conditioning, irrigation, including covered, concealed and underground services will not be affected or obstructed.
- Install the unit where air inlet and outlet openings will not become obstructed by leaves, grass, snow, etc. If prevailing winds will cause blowing or drifting, you may need to construct a windbreak to protect the unit.

- Install the generator as close as possible to the transfer switch and fuel supply to reduce the length of wiring, conduit, and piping.

IMPORTANT: Laws or local codes may regulate the distance to the fuel supply.

The Minimum clearances from aerial view of generator (A) to combustible (C, D) materials is shown below.

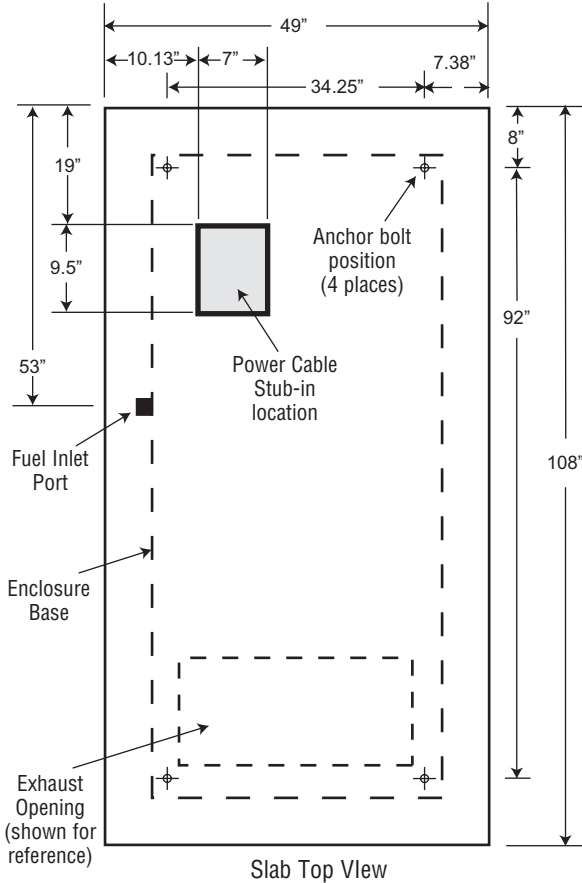
- These distances are provided to give generator location guidance relative ONLY to combustibles, generator cooling, and maintenance.
- The minimum distances in the figure are as shown. All four sides of the generator cannot be enclosed or restricted, even if the minimum distances are maintained. DO NOT connect (C) to (D)
- A roof cannot be used.
- Exhaust (B) is directed out the top of the generator and must not be allowed to accumulate.



- A Home Standby Generator
- B Engine Exhaust (exits vertically from enclosure)
- C Combustible Material or Structure with a Fire Resistance Rating of less than 1 hour.
- D Any structure or material. DO NOT connect (C) to (D).

Concrete Slab

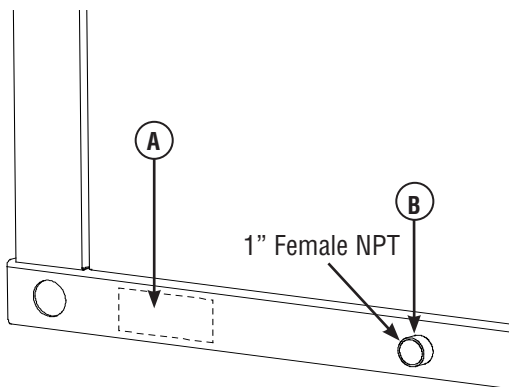
At the appropriate location, construct a concrete slab (28 day compression strength of 3000 psi (200 MPa)) minimum 5 inches thick and 6 inches wider than the enclosure on all sides. Strengthen slab with No. 6 reinforcing bars (on 12" centers) or 8 ga. steel wire fabric (6" centers). Avoid placing reinforcement in entrance stub-up area.



Attach unit to slab with 5/16" diameter (minimum) masonry anchor bolts long enough to retain the unit.

Electrical and Fuel Inlet Locations

A through-slab power cable stub-up is preferred (see above). If stub-up's are not used, (A) indicates the recommended location for punching holes for attaching power conduit. The fuel inlet connector (B) is shown for reference.

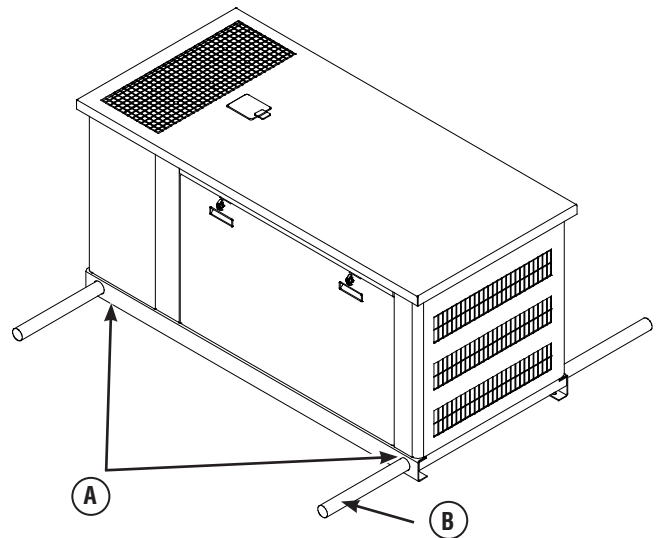


Lifting the Generator

The generator weighs more than 1,700 pounds. Proper tools, equipment and qualified personnel should be used in all phases of handling and moving the generator.

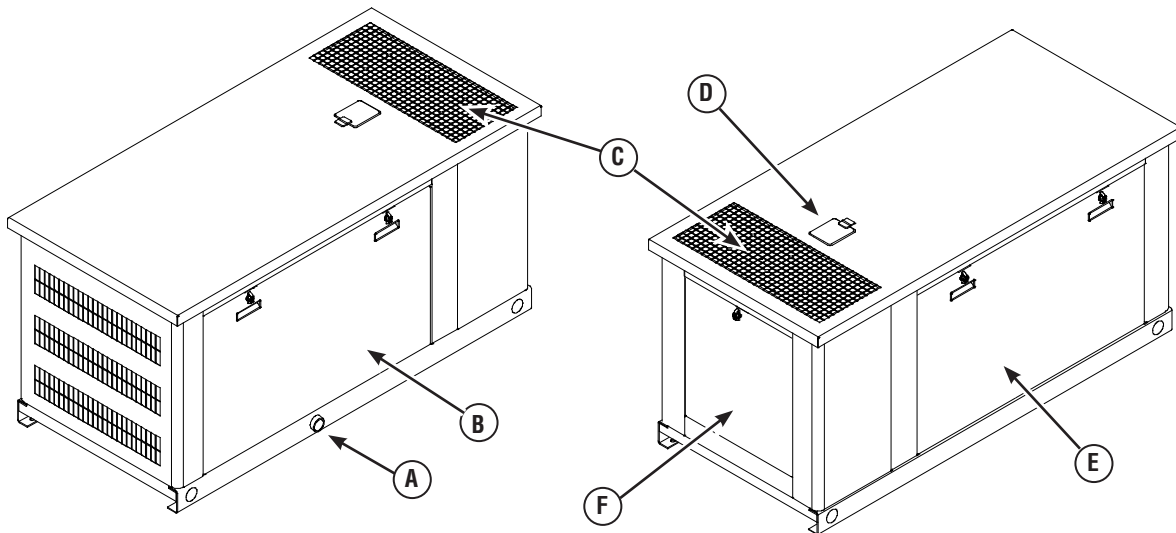
WARNING	
	Hazardous Voltage Contact with power lines can cause electric shock or burn.
	Lifting Hazard / Heavy Object Can cause muscle strain or back injury.
<ul style="list-style-type: none"> • DO NOT contact any power lines when using required lifting/hoisting equipment. • DO NOT lift or move generator without assistance. • Use lifting pipes or straps as described in <i>Lifting the Generator</i>. The unit may shift during movement, which can cause injury. • DO NOT lift unit by roof as damage to generator will occur. 	

Installation



Two 60" lengths of 2" Schedule 40 pipe (B), supplied by the installer, are required to lift the generator onto cement pad. Insert pipes through the lifting holes (A) located near the unit's base.


Use a spreader bar to ensure that the chains, straps or cables DO NOT touch the generator's roof.



Access Doors

The home generator is equipped with an enclosure that has three access doors, as shown above. The doors are named for a significant component located behind them, as follows:

- A Fuel Inlet port (shown for reference)
- B Control Panel door
- C Exhaust opening (shown for reference)
- D Coolant Fill door
- E Battery door
- F Exhaust door (shown for reference)

⚠ WARNING	
	Contact with muffler area can result in serious burns.
<ul style="list-style-type: none"> • DO NOT touch hot parts and AVOID hot exhaust gases. • Allow equipment to cool before touching. 	

The Coolant Fill, Battery and Control Panel doors must be installed whenever the unit is running.

Each home generator is equipped with two identical keys. These keys fit the locks that secure the access doors.



To Open an Access Door:

1. Insert key into lock of access door handle you wish to open and turn one quarter turn counterclockwise. Remove key. Handle will remain unlocked until you re-lock it.
2. Grasp door's handle and turn one quarter turn counterclockwise to open.
3. Coolant Fill door is unlocked in the same manner. It can be used for adding coolant or oil.

To Close an Access Door:

1. Close door and turn handle one quarter turn clockwise.
2. Insert key into lock in handle and turn one quarter turn clockwise. Remove key.

The Gaseous Fuel System

⚠ WARNING	
	Propane and Natural Gas are extremely flammable and explosive.
	Fire or explosion can cause severe burns or death.
<ul style="list-style-type: none"> • LP gas is heavier than air and will settle in low areas. • Natural gas is lighter than air and will collect in high areas. • The slightest spark can ignite these fuels and cause an explosion. • DO NOT light a cigarette or smoke. 	

The information provided below is to assist gaseous fuel system technicians in planning installations. In no way should this information be interpreted to conflict with applicable fuel gas codes. Consult with your local fuel supplier or Fire Marshall if questions or problems arise.

TO THE INSTALLER: Consult with the home generator owner(s) and convey any technical considerations that might affect their installation plans before applying these general guidelines.

The following general rules apply to gaseous fuel system piping:



- The piping should be of a material that conforms to federal and local codes, rigidly mounted and protected against vibration.
- Piping should be protected from physical damage where it passes through flower beds, shrub beds, and other cultivated areas where damage could occur.

- Install the flexible, gaseous hose (supplied) between the home generator Fuel Inlet port and rigid piping to prevent thermal expansion or contraction from causing excessive stress on the piping material.

NOTE: Where local conditions include earthquake, tornado, unstable ground, or flood hazards, special consideration shall be given to increase strength and flexibility of piping supports and connections.

⚠ CAUTION	
The supplied flexible gaseous pipe is not to be installed underground or in contact with the ground.	
<ul style="list-style-type: none"> • The entire flexible gaseous pipe must be visible for periodic inspection and must not be concealed within, contact, or run through any wall, floor, or partition. 	

- Piping must be of the correct size to maintain the required supply pressures and volume flow under varying generator load conditions with all gas appliances connected to the fuel system turned on and operating.
- Use a pipe sealant or joint compound approved for use with NG/LPG on all threaded fittings to reduce the possibility of leakage.
- Installed piping must be properly purged and leak tested, in accordance with applicable codes and standards.

⚠ WARNING	
	Propane and Natural Gas are extremely flammable and explosive.
	Fire or explosion can cause severe burns or death.
<ul style="list-style-type: none"> • Before placing the home generator into service, the fuel system lines must be properly purged and leak tested. • NO leakage is permitted. 	

Consider the following factors when planning to install the fuel supply system:

- A minimum of one accessible, approved manual shutoff valve shall be installed in the fuel supply line within 6 ft (1.8 m) of the home generator. A union or flanged connection shall be provided downstream from this valve to permit removal of controls.
- LP gas fuel supply pressure should be 7 to 11 inches of water (in. W.C.) at full load with all gas appliances turned on and operating.

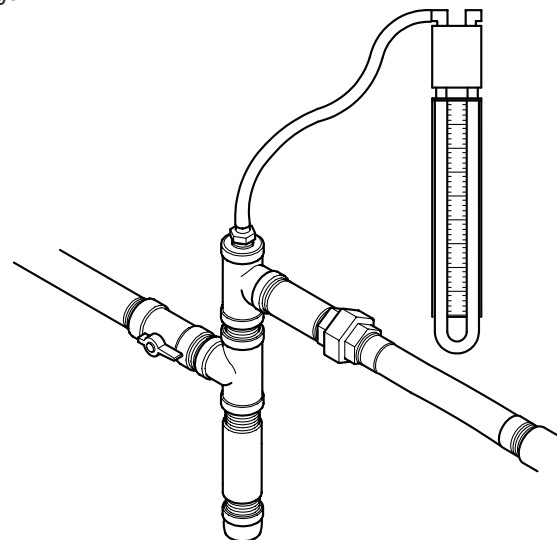
- Natural gas fuel supply pressure at the generator's fuel inlet port should be between 7 to 11 inches of water (in. W.C.) at full load with all gas appliances turned on and operating.

The home generator unit has been factory set to run on natural gas. The unit can be converted from natural gas to LP gas or vice versa using two people and special tools. See *Fuel Conversion*, later in this manual.

It is recommended that the fuel connection incorporate the following components:

- A minimum 10 ft. (3 m) section of gas pipe between the primary fuel regulator and the generator fuel inlet connection (acts as accumulator for high block loads).
- A manual fuel shut-off valve located in the interior of the building.
- A manual fuel shut-off valve located outside the building, just before the generator unit.
- Where the formation of hydrates or ice is known to occur, piping should be protected against freezing. The termination of hard piping should include a sediment trap where condensate is not likely to freeze.
- A manometer port should be provided.

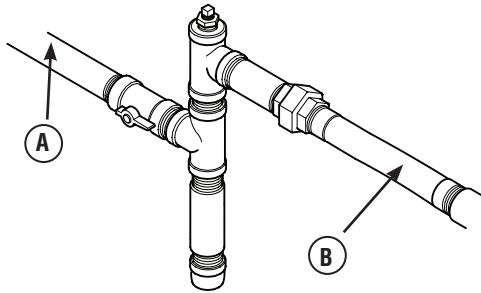
The manometer port permits temporary installation of a manometer to ensure that the engine receives the correct fuel pressure to operate efficiently throughout its operating range.



NOTE: A digital manometer, P/N 19495, is available at your Briggs & Stratton service center.

When the initial test runs are completed, the manometer is removed and the port is plugged. A typical final fuel connection assembly is shown here, where (A) is the fuel supply and (B) goes to the home generator.

Installation



Fuel Pipe Sizing

There are numerous on-line or otherwise-published references for fuel pipe sizing. The installer should consider the specific gravity of gas and compensate for a nominal amount of restriction from bends, fittings, etc. If an unusual number of fittings, bends, or other restrictions are used, please refer to federal and local codes.

Fuel Consumption

Estimated fuel supply requirements at half and full load for natural gas and LP vapor fuels are shown below.

	Natural Gas		LP Vapor	
	1/2 Load	Full Load	1/2 Load	Full Load
45kW	483 C	777 C	178 C	297 C
	483,000 B	777,000 B	445,000 B	742,000 B

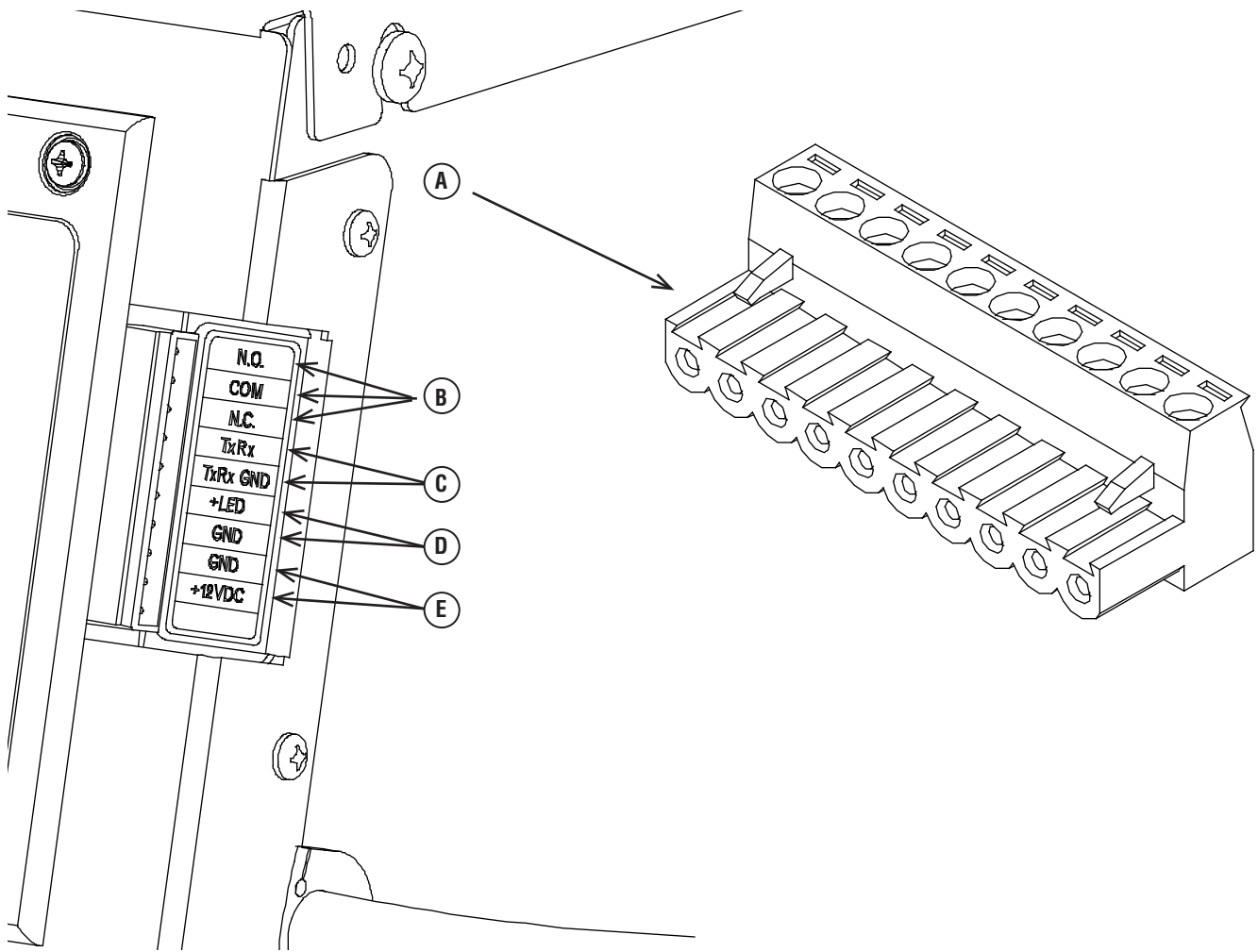
C = Cubic feet per hour
B = BTU's per hour

Physical Properties	LP Vapor	Natural Gas
Normal Atmospheric State	Gas	Gas
Boiling Point (in °F):		
Initial	-44	-259
End	-44	-259
Heating Value:		
BTU per gallon (Net LHV*)	83,340	63,310
BTU per gallon (gross**)	91,547	
Cubic feet (gas)	2,500	1,000
Density***	36.39	57.75
Weight†	4.24	2.65
Octane Number:		
Research	110+	110+
Motor	97	

* LHV (Low Heat Value) is the more realistic rating.
 ** Gross heat value does not consider heat lost in the form of water during combustion.
 *** Density is given in "Cubic Feet of Gas per Gallon of Liquid".
 † Weight is given in "Pounds per Gallon of Liquid".

System Connectors

LV connections to signal fault contacts, transfer switch communication, remote LED and auxiliary 12VDC power are made to a removable ten-pin connector plug. Compare this illustration with your generator to familiarize yourself with the location of these important connections:



A - 10 Pole Connector Plug

B - Fault Contacts — Use NO, COM and NC for operating a siren, light, optional GenAlert, etc. to alert you in case of a fault. Contacts reverse state (NO goes to NC and vice versa) upon a fault condition.

C - Transfer Switch Communication — Connect to transfer switch control board for communication interface.

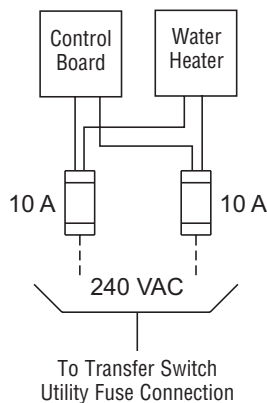
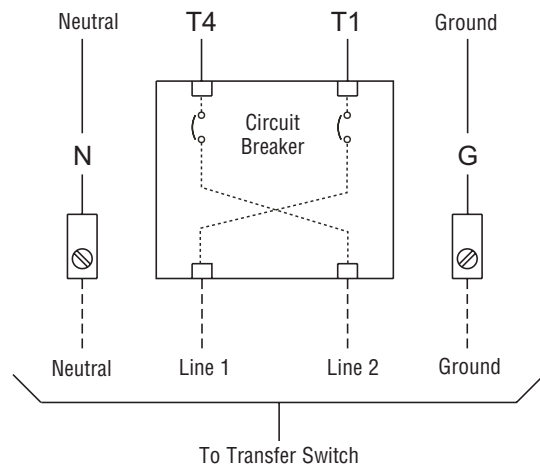
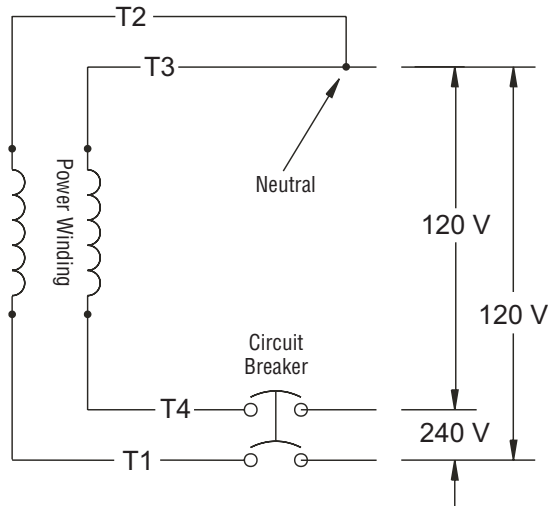
D - Remote LED Output — Used to connect to the remote LED supplied with the generator. The remote LED will turn on and off in a series of blinks if certain faults are detected in the generator.

E - +12 Volt DC, .5 Amp Output — Internal auxiliary power supply.

Generator AC Connection System

A single-phase, three-wire AC connection system is used in the home generator. The stator assembly consists of a pair of stationary windings with two leads brought out of each winding. The junction of leads T2 and T3 forms the neutral lead, as shown schematically and as wiring diagram below. A complete schematic and wiring diagram can be found later in this manual.

NOTE: Neutral is not bonded to ground at generator.



Grounding the Generator

Ground the home generator per applicable codes, standards and regulations. There are two generator GND lug locations. The one inside the alternator junction box next to the circuit breaker is the primary lug and should meet most applications. The second generator GND lug is located on the frame below the generator circuit breaker cover, and should ONLY be used for a ground rod located at the generator, if required by local codes. See *Controls* for location.

Utility Circuit Connection

“240V Utility” leads must be routed in conduit. The “240V Utility” leads deliver power to the generator’s circuit board and water heater. This power also charges the battery. When power on these leads is lost, the generator will start.

Using installer-supplied minimum 300V, 14 AWG copper wire, connect each ten-amp fuse terminal in the alternator junction box to the ten-amp fuse terminals in the automatic transfer switch.

Fault Detection System

The generator may have to run for long periods of time with no operator present. For that reason, the system is equipped with sensors that automatically shut down the generator in the event of potentially damaging conditions, such as low oil pressure, high water temperature, over speed, and other conditions. Refer to *Fault Detection System* in the Operator’s Manual for more detailed information.

The owner will use the remote LED indicator to observe the status of the home generator system. Consult with the owner for a convenient location.

To install the remote LED indicator:

1. Push the LED through the mounting plate from the front until it snaps in place.

IMPORTANT: The LED is polarity sensitive.

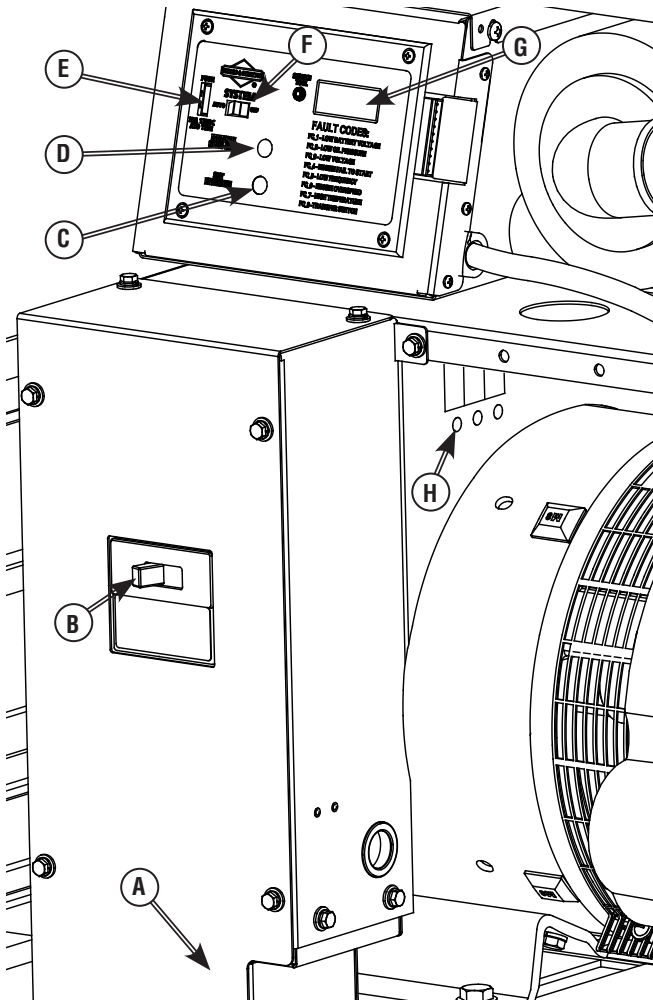
2. Using provided 10 pole connector and installer-supplied minimum 18AWG wire, connect the remote LED to the generator control board +LED and GND connection. Use wire nuts to attach wire to LED leads.

3. Attach mounting plate to installer-supplied electrical box.

NOTE: Locate the electrical box in an area visible by the home owner such as near a garage door opener or security control panel.

System Control Panel

The home generator control panel, located inside the generator housing, is shown below.



Brief descriptions of the controls used during installation are:

- A Removable Panel — To assist with conduit connection.
- B Circuit Breaker — Must be ON to supply power to the transfer switch.
- C Set Exercise Switch — Used to set time of the exercise cycle.
- D Manual Over-Ride Switch — Used to manually start and stop the generator.
- E 15 Amp Fuse — Protects the DC control circuits.
- F System Switch — Switches modes to OFF and AUTO.
- G Digital Display — Displays running time in hours, and fault codes.
- H Voltage Regulator — Used to adjust generator output voltage.

More information may be found in *Controls* in the Operator's Manual.

System Switch

This two-position switch is the most important control on the home generator and is used as follows:

- “**AUTO**” position is the normal operating position. If a utility power outage is sensed, the system will start the generator. When utility power is restored, lets the engine stabilize internal temperatures, shuts off the generator, and waits for the next utility power outage.
- “**OFF**” position turns off running generator, prevents unit from starting and resets any detected faults.

15 Amp Fuse

Protects the home generator DC control circuits. If the fuse has ‘blown’ (melted open) or was removed, the engine cannot crank or start. Replace the fuse using only an identical ATO 15A fuse. One spare fuse is supplied with the unit. If fuse was blown or removed, you will need to reset the exercise timer (see *Setting Exercise Timer*).

Final Installation Considerations

Engine Oil

NOTICE

Any attempt to crank or start the engine before it has been properly serviced with the recommended oil will result in equipment failure.

- Refer to *Maintenance* and engine manual for oil fill information.
- Damage to equipment resulting from failure to follow this instruction will void engine and generator warranty.

This engine is shipped from the factory pre-run and filled with non-synthetic oil (API SL 10W-30W). This allows for system operation in a wide range of temperature and climate conditions. Before starting the engine, check oil level and ensure that engine is serviced as described in the engine operator's manual.

Coolant System

This engine is shipped from the factory filled with a 50-50 mix of automotive (Dex-Cool™ orange) anti-freeze and water. This will provide optimum year round protection against freezing, boiling and corrosion. The coolant system incorporates a water heater that operates when ambient temperature is below 80°F AND utility power is present at the transfer switch. Before starting the engine, check coolant level as described in the engine operator's manual.

Battery

The installer must supply a sealed, rechargeable 12 Volt DC, 650 Cold Cranking Amps (CCA) 55 amp hour starting battery. The battery may not be at full charge when installed. If battery voltage is below 12 Volts, charge the battery. See *Battery* in *Maintenance* for details.

NOTE: DO NOT use a deep-cycle type battery.

Fuel Supply System

Ensure that all fuel pipe connections are tight, secure and without leaks.

Ensure that all gas line shutoff valves are OPEN and that adequate fuel pressure is available whenever automatic operation is desired.

Initial Start-up (No Load)

Before operating the home generator or placing it into service, inspect the entire installation carefully.

Then begin testing the system without any electrical loads connected, as follows:

NOTE: Unit has been set-up for natural gas operation at the factory. Fuel conversion, if needed, must be completed prior to performing these steps.

1. Set generator's main circuit breaker to its **ON** (closed) position.
2. Confirm 15 Amp fuse is installed in control panel.
3. Set generator's system switch to **AUTO**.
4. Push **MANUAL OVER-RIDE** button on control panel.

NOTE: When the generator is started for the very first time, it will require that air in the gaseous fuel lines be purged. This may take a few minutes.

5. DO NOT crank engine for more than 15 seconds, then pause for 15 seconds to reduce heat in the starter.
6. Repeat process until engine starts.
7. Listen for unusual noises, vibration or other indications of abnormal operation. Check for oil or coolant leaks while engine runs.
8. Let engine warm up for about five minutes to allow internal temperatures to stabilize.

9. Connect an accurate AC voltmeter and a frequency meter to check generator output at load side of circuit breaker. No-load voltage should be 239-244 Volts, frequency should be 59.8 - 60.2 Hz.

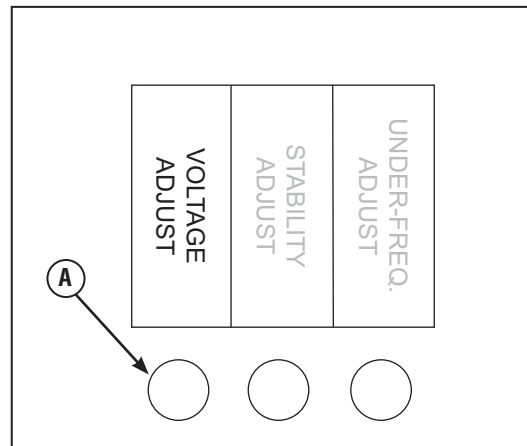
NOTE: If AC voltage is outside these ranges, perform the generator adjustment, Steps 13 and 14 below.

10. Check generator output between one of the generator connection lugs and the neutral lug, then between the other generator connection lug and the neutral lug. In both cases, voltage reading should be between 117-123 Volts.

11. Push and hold **MANUAL OVER-RIDE** button on control panel again until engine stops.

IMPORTANT: DO NOT proceed until you are certain that generator AC voltage is correct and within the stated limits. Generator frequency is fixed and not adjustable

12. If voltage and frequency values are correct, proceed to step 15.
13. Connect voltmeter as described in step 9 above.
14. While observing voltmeter, adjust alternator voltage control (**A**) for 240 volts. DO NOT adjust either of the other alternator controls.

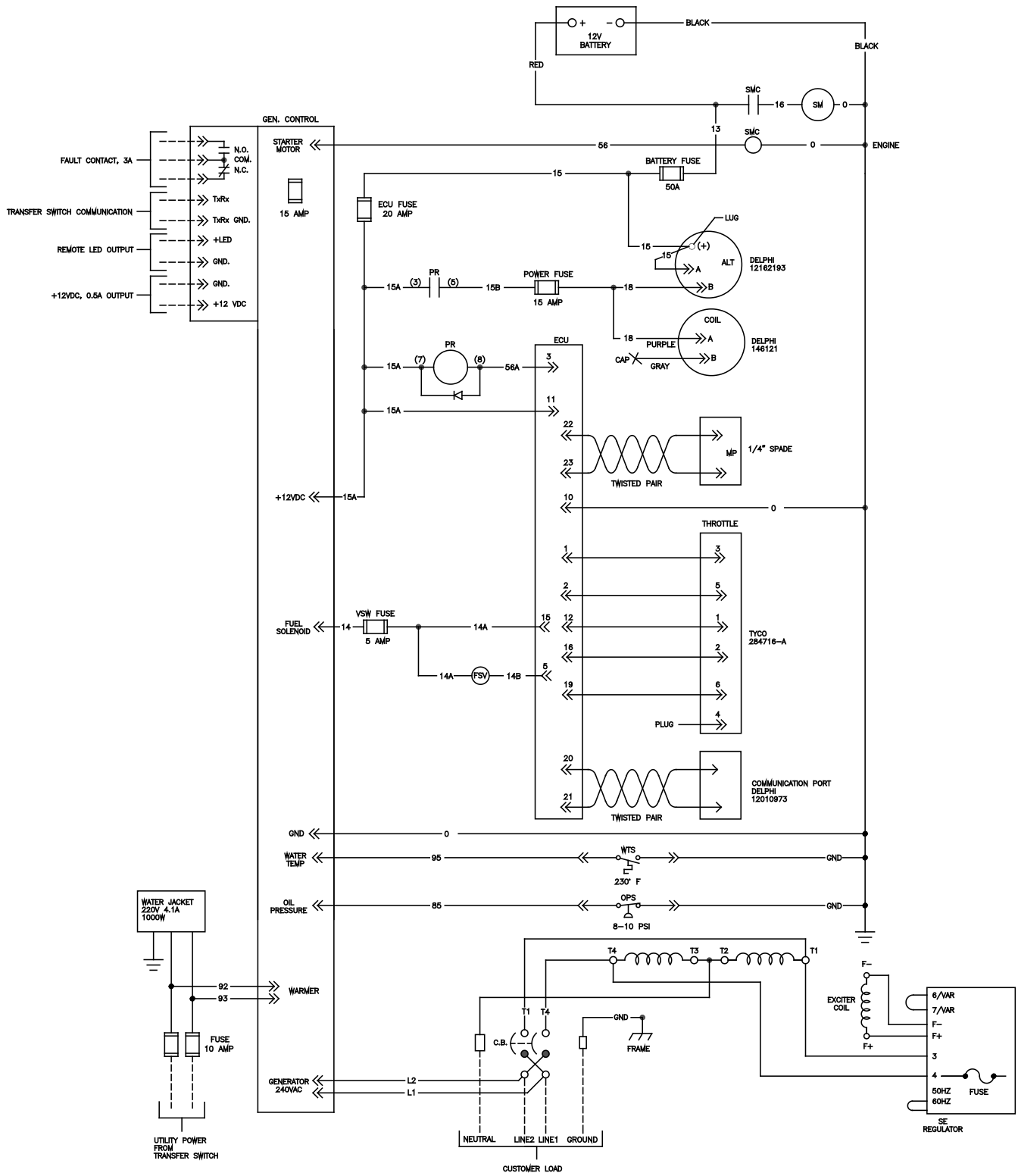


15. Install alternator circuit breaker enclosure cover.
16. Close all enclosure access doors.

Fuel Conversion

The unit is shipped from the factory calibrated for NG operation. To convert the engine from NG to LP vapor operation, contact customer service at **(800) 743-4115**.

Schematic / Wiring Diagram



Installation

Controls

See the Operator's Manual for complete description of the home generator controls.

Operation

Automatic Operation Sequence

The generator's control panel houses a logic control circuit board. This control board constantly monitors utility power source voltage. Should that voltage drop below a preset level, control board action will signal the engine to crank and start.

When utility source voltage is restored above a preset voltage level, the engine is signaled to shut down.

The actual system operation is not adjustable and is sequenced by sensors and timers on the control board, as follows:

Utility Voltage Dropout Sensor

- This sensor monitors utility source voltage.
- If utility source voltage drops below about 70 percent of the nominal supply voltage, the sensor energizes a 10 second timer. The timer is used to 'sense' brown-outs.
- Once the timer has expired, the engine will crank and start.

Utility Voltage Pickup Sensor

This sensor monitors utility power supply voltage. When that voltage is restored above 80 percent of the nominal source voltage, a time delay starts timing and the engine will go to engine cool-down.

Engine Cool-down Timer

- When the load is transferred back to the utility power source, the engine cool-down timer starts timing.
- The timer will run for about one minute, then the generator will stop.
- Minimum engine run time is 5 minutes.

Setting Exercise Timer

The home generator is equipped with an exercise timer that will start and exercise the system once every seven days. During this exercise period, the unit runs for approximately 20 minutes and then shuts down. Electrical load transfer DOES NOT occur during the exercise cycle (unless an utility power outage occurs).

A button on the control panel is labeled "Set Exercise" (see *System Control Panel*). The specific day and the specific time of day this button is pressed is programmed into the control board memory. This date and time is then used to automatically initiate the system exercise cycle. The "SET EXERCISE" legend on the control panel will flash until the set exercise cycle is set.

To perform the Set Exercise procedure:

1. Choose the day and time you want your home generator to exercise.
2. On that day and time, press and hold down the "Set Exercise" button for three seconds.

NOTE: "SET EXERCISE" will flash until the button is pressed for three seconds, then "SET EXERCISE" will illuminate for 5 seconds, and finally turn off.

3. The unit will then start and run it's 20 minute exercise cycle.

For example, if you press the "Set Exercise" button on Sunday morning at 10:00 AM, the unit will run an immediate exercise cycle and an exercise cycle every following Sunday at 10:00 AM (+/- 1/2 hour).

NOTE: "Set Exercise" will only work if the unit is in the Automatic mode and this exact procedure is followed. The exerciser will need to be re-set if the 15 Amp fuse is removed or changed, or if the 12 Volt DC battery is disconnected.

If you want to change the day and time the unit exercises, simply perform the "Set Exercise" procedure at the exact weekday and time you want it to take place.

Installation Inspection

Complete the "Installation Checklist" as you make the inspection. Ensure all items have been filled-in and all signatures have been obtained. Mail the white copy (and emissions statement, if completed) to:

Briggs & Stratton Power Products
Warranty Registration
P. O. Box 239
Jefferson, WI 53549-0239

More detailed Operating, Maintenance and Troubleshooting information is given in the Operator's Manual.



Home Generator Systems

Manual de Instalación y Arranque



**Sistema generador
doméstico enfriado por
líquido Serie 45000**

Muchas gracias por comprar este generador Briggs & Stratton de gran calidad. Nos alegra que haya depositado su confianza en la marca Briggs & Stratton. Siempre que sea conforme a las instrucciones del manual del operario, su generador Briggs & Stratton le proporcionará muchos años de buen funcionamiento.

Este manual contiene información sobre seguridad para hacerle consciente de los riesgos asociados a los generadores y mostrarle cómo evitarlos. Este generador se ha diseñado exclusivamente para suministrar energía eléctrica a cargas compatibles de iluminación, electrodomésticos, herramientas y motores. No debe utilizarse para ningún otro fin. Es importante leer detenidamente y comprender estas instrucciones antes de poner en marcha o utilizar el equipo. Este producto no pertenece a la categoría de reserva de emergencia según lo definido por la norma NFPA 70 (NEC).

Antes de utilizar el generador doméstico de reserva, es necesario que lo instale un profesional. El manual de instalación ofrece información completa. Siga todas las instrucciones. **Conserve este manual para futuras consultas.**

Dónde encontrarnos

Nunca tendrá que buscar mucho para poder obtener soporte y servicio técnico para su equipo generador de reserva. Consulte las páginas amarillas. Existen miles de distribuidores de servicio autorizados de Briggs & Stratton en todo el mundo. También puede dirigirse al departamento de servicio al cliente de Briggs & Stratton llamando al **(800) 743-4115** o utilizar el buscador de centros de servicio técnico de BRIGGSandSTRATTON.COM, que ofrece la lista de los distribuidores de servicio autorizados de Briggs & Stratton.

Fecha de compra

<input type="text"/>	<input type="text"/>	<input type="text"/>	<input type="text"/>	<input type="text"/>	<input type="text"/>
----------------------	----------------------	----------------------	----------------------	----------------------	----------------------

Generador

Número de Modelo

<input type="text"/>	<input type="text"/>	<input type="text"/>	<input type="text"/>	<input type="text"/>	<input type="text"/>	<input type="text"/>
----------------------	----------------------	----------------------	----------------------	----------------------	----------------------	----------------------

Revisión

<input type="text"/>	<input type="text"/>
----------------------	----------------------

Número de Serie

<input type="text"/>	<input type="text"/>	<input type="text"/>	<input type="text"/>	<input type="text"/>	<input type="text"/>	<input type="text"/>	<input type="text"/>	<input type="text"/>	<input type="text"/>
----------------------	----------------------	----------------------	----------------------	----------------------	----------------------	----------------------	----------------------	----------------------	----------------------

Motor

Número de Modelo

<input type="text"/>	<input type="text"/>	<input type="text"/>	<input type="text"/>	<input type="text"/>	<input type="text"/>	<input type="text"/>	<input type="text"/>	<input type="text"/>	<input type="text"/>	<input type="text"/>	<input type="text"/>
----------------------	----------------------	----------------------	----------------------	----------------------	----------------------	----------------------	----------------------	----------------------	----------------------	----------------------	----------------------

Número de Serie

<input type="text"/>	<input type="text"/>	<input type="text"/>	<input type="text"/>	<input type="text"/>	<input type="text"/>	<input type="text"/>	<input type="text"/>	<input type="text"/>	<input type="text"/>
----------------------	----------------------	----------------------	----------------------	----------------------	----------------------	----------------------	----------------------	----------------------	----------------------

Briggs & Stratton Power Products Group, LLC.
900 North Parkway
Jefferson, WI 53549

Copyright © 2008 Briggs & Stratton Power Products Group, LLC.
Reservados todos los derechos. Queda prohibida la reproducción o transmisión total o parcial de este material, sea cual sea la forma y el medio empleados para ello, sin el permiso previo y por escrito de Briggs & Stratton Power Products Group, LLC.

Tabla de contenido

Instrucciones importantes de seguridad	4
Instalación	7
Responsabilidades del instalador	7
Inspección al Momento de la Entrega	7
Contenido de la Caja	7
Ubicación del Sistema de Generador de Doméstico	8
Puertas de Acceso	10
Sistema de combustible gaseoso	11
Consumo de Combustible	12
Conexiones de Sistema	13
Conexión a Tierra del Generador	14
Interconexiones del Circuito de Control	14
Panel de Control del Sistema	15
Consideraciones finales para la instalación	15
Sistema de Suministro de Combustible	16
Arranque inicial (sin carga)	16
Conversión de combustible	16
Mandos	17
Utilización	17
Secuencia de operación automática	17
Configuración del temporizador de práctica	17
Inspección posterior a la instalación	17

Seguridad


Instalación

Controles

Utilización

Conserve estas instrucciones

Instrucciones importantes de seguridad

El símbolo de alerta de seguridad () es usado con una palabra (PELIGRO, ADVERTENCIA, PRECAUCIÓN), un mensaje por escrito o una ilustración, para alertarlo acerca de cualquier situación de peligro que pueda existir. **PELIGRO** indica un riesgo el cual, si no se evita, *causará* la muerte o una herida grave. **ADVERTENCIA** indica un riesgo el cual, si no se evita, *puede* causar la muerte o una herida grave. **PRECAUCIÓN** indica un riesgo, el cual, si no se evita, *puede* causar heridas menores o moderadas. **AVISO** indica una situación que podría resultar en el daño del equipo. Siga los mensajes de seguridad para evitar o reducir los riesgos de heridas e inclusive la muerte.

Este manual contiene instrucciones de instalación, puesta en marcha y ajuste de un sistema generador doméstico que suministra energía eléctrica a dispositivos monofásicos de 120/240 V y 60 Hz. El sistema generador doméstico se puede utilizar con propano líquido (LP) o gas natural como combustible. Los manuales del operario de la máquina y del generador se entregan por separado y contienen instrucciones de operación y mantenimiento para este sistema.

Se han tomado todos los recaudos posibles para asegurar que la información incluida en este manual sea correcta y esté actualizada. Sin embargo, los fabricantes se reservan el derecho de cambiar, alterar o mejorar el sistema de cualquier otra manera y en cualquier momento, sin previo aviso.

Símbolos de Peligro y Significados

		
Explosión	Fuego	Descarga Eléctrica
		
Gases Tóxicos	Partes en Movimiento	Superficie Caliente
		
Arranque automático	Presión Explosiva	Quemaduras Química
		
Peligro al elevar	Manual del Operario	

ADVERTENCIA



Las baterías almacenadas producen hidrógeno explosivo mientras estén siendo recargadas.

Una pequeña chispa puede encender el hidrógeno y causar una explosión.



El fluido de electrolito de la batería contiene ácido y es extremadamente cáustico.



El contacto con el fluido de la batería puede causar quemaduras químicas severas.

Las baterías presentan un riesgo de descarga eléctrica y de elevada corriente de cortocircuito.

- NO deseche la batería tirándola al fuego.
- No permita ninguna llama abierta, chispa, calor, o encienda un cigarrillo durante y por varios minutos después de haber recargado la batería.
- NO abra ni manipule la batería.
- Lleve puestos las gafas protectoras, delantal y guantes de goma.
- No lleve relojes, anillos ni otros objetos metálicos.
- Utilice herramientas con mangos aislados.

ADVERTENCIA




Al motor funcionar, se produce monóxido de carbono, un gas inodoro y venenoso.



Respirar monóxido de carbono puede provocar dolor de cabeza, fatiga, mareos, vómitos, confusión, ataques, náuseas, desmayos o incluso la muerte.

- Opere el generador SOLAMENTE al aire libre.
- Instale una alarma de monóxido de carbono con batería cerca de los dormitorios.
- Asegúrese de que los gases de escape no puedan entrar por ventanas, puertas, tomas de aire de ventilación u otras aberturas en un espacio cerrado en el que puedan acumularse.


ADVERTENCIA

El escape del motor de este producto contiene elementos químicos reconocidos en el Estado de California por producir cáncer, defectos de nacimiento u otros daños de tipo reproductivo.

⚠ ADVERTENCIA	
	<p>Los generadores producen un voltaje muy poderoso.</p> <p>Si no hace tierra apropiadamente con un generador, puede hacer que ocurra un electrocutamiento.</p> <p>Si no aísla el generador de utilidades de energía, puede hacer que los trabajadores de electricidad sufran heridas graves e inclusive la muerte, debido a la retroalimentación de la energía eléctrica.</p>
<ul style="list-style-type: none"> • Cuando use un generador como poder de energía auxiliar, notifique a la compañía de utilidades. • NO toque los alambres pelados o receptáculos. • NO maneje el generador o cables eléctricos mientras esté parado en agua, descalzo o cuando las manos y los pies estén mojados. • Si fuera necesario realizar trabajos en cercanías de la unidad mientras está en funcionamiento, párese sobre una superficie seca y aislada para reducir los riesgos de una descarga. • NO permita que personas descalificadas o niños operen o sirvan al generador. • En caso de que se produzca un accidente causado por una descarga eléctrica, cierre inmediatamente la fuente de energía eléctrica y contacta administración local. Evite el contacto directo con la víctima. • A pesar del diseño seguro del sistema de generador de doméstico, si se opera este equipo en forma imprudente, si no se cumple con el mantenimiento o si se actúa con descuido, se pueden producir lesiones o la muerte. • Permanezca siempre alerta cuando trabaje con este equipo. NUNCA trabaje con este equipo si se siente cansado física o mentalmente. • Antes de realizar cualquier tarea de mantenimiento en el generador, desconecte primero el cable de la batería marcado como NEGATIVE, NEG o (-). Cuando haya terminado, vuelva a conectar el cable en último lugar. • Una vez que el sistema de generador de doméstico está instalado, el generador puede arrancar manualmente sin ninguna advertencia cada vez que se produce una falla en el suministro de electricidad. Para evitar posibles lesiones, siempre fije el conmutador del sistema en OFF, Y retire el fusible de 15 Amperios ANTES de realizar trabajos en el equipo. 	

⚠ ADVERTENCIA	
 	<p>El Gas Natural y el Propano son extremadamente inflamables y explosivos.</p> <p>El fuego o una explosión pueden causar quemaduras severas e inclusive la muerte.</p>
<ul style="list-style-type: none"> • Instale el sistema de suministro de combustible de acuerdo con los códigos de gas combustible que correspondan. • Antes de poner en servicio el sistema de generador de doméstico, se deben purgar las líneas del sistema de combustible y se debe probar si presentan pérdidas. • Una vez instalado el sistema, se lo debe inspeccionar en forma periódica. • NO se debe permitir que se produzca ninguna pérdida. • NO haga funcionar el motor si se percibe olor a combustible o si existe alguna otra fuente de ignición. • NO fume cerca del generador. Limpie en forma inmediata cualquier derrame de aceite. Asegúrese de no dejar materiales combustibles en el compartimiento del generador. Mantenga el área próxima al generador limpia y libre de desperdicios. 	

⚠ ADVERTENCIA	
 	<p>Tensión peligrosa</p> <p>El contacto con los cables eléctricos puede provocar electrocución y quemaduras.</p> <p>Peligro al elevar el equipo / Objeto pesado</p> <p>Puede provocar daños en los músculos y en la espalda.</p>
<ul style="list-style-type: none"> • NO toque ningún cable eléctrico cuando utilice el equipo de elevación/izado requerido. • NO eleve ni mueva el generador sin ayuda. • Utilice tubos de elevación o correas como se describe en la sección Elevación del generador. La unidad se puede mover y provocar lesiones. • NO levante la unidad por la parte superior; podría provocar daños en el generador. 	

⚠ ADVERTENCIA	
	<p>El arrancador y otras piezas que rotan pueden enredar las manos, el pelo, la ropa, o los accesorios.</p>
<ul style="list-style-type: none"> • NUNCA utilice la generador sin sus carcasas o tapas de protección. • NO use ropa suelta, joyas o elementos que puedan quedar atrapados en el arranque o en otras partes rotatorias. • Ate para arriba el pelo largo y quite la joyería. 	

⚠️ ADVERTENCIA

El contacto con la zona del silenciador puede producir quemaduras graves.



Los gases y el calor de escape pueden inflamar los materiales combustibles y las estructuras y provocar un incendio.

- NO toque las superficies calientes y evite los gases del escape a alta temperatura.
- Permita que el equipo se enfríe antes de tocarlo.
- NO instale el generador a menos de 1,5 metros (5 pies) de todo material combustible o estructura con muros combustibles cuya resistencia al fuego sea inferior a una hora.
- Deje un espacio mínimo de 91 cm (3 pies) alrededor del generador, incluida la parte superior.
- El Código de Normativa Federal (CFR, Título 36: Parques, Bosques y Propiedad Pública) obliga a instalar una pantalla apagachispas en los equipos con motor de combustión interno y a mantenerla en buenas condiciones de funcionamiento, conforme a la norma 5100-1C (o posterior) del Servicio Forestal de la USDA. En el Estado de California, la ley exige el uso de una pantalla apagachispas (Sección 4442 del Código de Recursos Públicos de California). En otros estados puede haber leyes similares en vigor.

⚠️ PRECAUCIÓN

Las velocidades de operación en exceso, aumentan los riesgos de heridas y daños al generador.

Las velocidades bajan en exceso, imponen una carga muy pesada.

- NO cambie ninguna velocidad determinada. El generador suministra una frecuencia y un voltaje calificado cuando funciona a una velocidad determinada.
- NO modifique al generador en ninguna forma.

AVISO

El sobrepasar la capacidad del amperaje y vataje del generador, puede dañar al generador y los aparatos eléctricos conectados al mismo.

- Vea *Circuitos Fundamentales* en la manual del operario.
- Encienda su generador y deje que el motor se estabilice antes de conectar las cargas eléctricas.

AVISO

El tratamiento inadecuado del generador puede dañarlo y acortar su vida productiva.

- Use el generador solamente con la finalidad para el cual fue diseñado.
- Si usted tiene alguna pregunta acerca de las finalidades de uso del generador, pregúntele a su concesionario o contacte a Briggs and Stratton.
- Opere el generador solamente en superficies niveladas.
- Para la correcta operación del generador es fundamental contar con ventilación y una circulación de aire de refrigeración adecuada y que no sufra obstrucciones.
- Las puertas de llenado de refrigerante, de la batería y del panel de control deben estar instaladas siempre que la unidad esté en funcionamiento.
- No exponga al generador a una humedad excesiva, polvo, suciedad o vapores corrosivos.
- A pesar del diseño seguro del generador doméstico, si se opera este equipo en forma imprudente, si no se cumple con el mantenimiento o si se actúa con descuido, se pueden producir lesiones o la muerte.
- Permanezca siempre alerta cuando trabaje con este equipo. NUNCA trabaje con este equipo si se siente cansado física o mentalmente.
- Nunca encienda el motor si el filtro de aire o su cubierta han sido retirados.
- No inserte cualquier objeto a través de las ranuras de enfriamiento.
- Nunca utilice el generador ni ninguna de sus piezas como escalera. Si se sube sobre la unidad, sus piezas se pueden ver sobreexigidas y pueden romperse. Esto puede dar como resultado condiciones de operación peligrosas como consecuencias de la fuga de gases del escape, pérdida de combustible, pérdida de aceite, etc.
- Si los aparatos conectados se sobrecalientan, apáguelos y desconéctelos del generador.
- Apague el generador si:
 - Se pierde la salida eléctrica;
 - El equipo produce chispas, humo o emite llamas;
 - La unidad vibra de una manera excesiva.

Instalación

Descripción del equipo

Este producto está pensado para utilizarlo como un sistema de reserva doméstico opcional que proporciona una fuente alternativa de energía eléctrica con capacidad para alimentar cargas tales como sistemas de calefacción y refrigeración y sistemas de comunicaciones, que cuando dejan de funcionar a causa de una interrupción de la alimentación eléctrica de la red pueden producir incomodidades o problemas. Este producto no pertenece a la categoría de reserva de emergencia según lo definido por la norma NFPA 70 (NEC).

Responsabilidades del cliente

- Lea y cumpla las instrucciones incluidas en el Manual del Operario, en especial la sección dedicada a la seguridad y la sección relacionada con la selección de los circuitos fundamentales.
- Siga un programa regular para mantener, cuidar y utilizar el sistema de generador de doméstico, según se especifica en el Manual del Operario.

Responsabilidades del instalador

- Lea y observe las reglas de seguridad que se encuentran en el Manual del Operario.
- En la caja encontrará una lista de los conmutadores de transferencia recomendados aprobados por UL y que son compatibles con el sistema de generador de doméstico.
- Lea y siga las instrucciones que se encuentran en este Manual de Instalación.

IMPORTANTE: El sistema está equipado con un calentador de agua que se activa cuando la temperatura ambiente es menor a 26,6 °C (80 °F) Y el conector recibe alimentación de la red pública.

Precauciones al Momento del Desempaque

La unidad se envía lista para su instalación en una solera de cemento reforzada y preparada o en una base diseñada para tal fin. Tenga cuidado a fin de evitar daños causados por caídas, golpes, choques, etc. Guarde y desempaque la caja ubicando el lado correcto hacia arriba, tal como se indica en la misma.

Inspección al Momento de la Entrega

Luego de retirar la caja, inspeccione cuidadosamente el sistema de generador de doméstico para detectar cualquier daño que pudiera haber ocurrido durante el traslado.

IMPORTANTE: Si en el momento de la entrega se detecta alguna pérdida o daño, solicite a la persona o personas encargadas de la entrega que dejen debida constancia en la nota de entrega y que firmen debajo de la nota del consignador donde se informa acerca de la pérdida o daño. Si la pérdida o el daño se detecta después de la entrega, separe los materiales dañados y póngase en contacto con el transportista para llevar a cabo los procedimientos de reclamo. Las piezas perdidas o dañadas no están garantizadas.

Contenido de la Caja

El sistema de generador de doméstico incluye lo siguiente:

- Generador doméstico.
- Sistema refrigerante con todos los servicios.
- Sistema de aceite/lubricante con todos los servicios.
- Acoplamiento flexible para combustible con clasificación UL569/CSA8.3.
- Manual de instalación y arranque.
- Manual del operario.
- Manual del operario del motor.
- Lista de control de la instalación.
- Dos llaves para puerta de acceso.
- Un fusible de 15 A de repuesto.
- Conector del panel de control de 10 polos.
- Kit de LED remotos (LED rojo/placa/tornillos).

No incluye:

- Batería de arranque de 650 CCA (NO de ciclo profundo).
- Cable y conducto de conexión.
- Válvulas/tubería de suministro de combustible.


Herramientas/equipos especiales necesarios

- Dos tramos de 1,52 m (60 pulg.) Programa 40 de tubo de 5 cm (2 pulg.) (NO conducto).
- Correas, cadenas o cables de elevación
- Perforadores para acero de 7 ga.
- Destornillador de torsión, rango de 5 a 50 pulgadas-libra.
- Luz de temporización de arranque.
- Medidor de mezcla de combustible (sensor y analizador de O2)

Ubicación del Sistema de Generador de Doméstico


Antes de aplicar estas pautas generales, consulte al propietario y comuníquese cualquier factor técnico a tener en cuenta que pudiera influir en sus decisiones y deseos.

Instalación

⚠ ADVERTENCIA	
	Los gases y el calor de escape pueden inflamar los materiales combustibles y las estructuras provocar un incendio.
<ul style="list-style-type: none"> • NO instale el generador a menos de 1,5 metros (5 pies) de todo material combustible o estructura con muros combustibles cuya resistencia al fuego sea inferior a una hora. 	

Ubicación del Generador

Sitúe el generador en una zona bien ventilada que permita la eliminación de los gases de escape mortales. NO instale el generador en lugares en los que los gases de escape se puedan acumular o entrar en un edificio que pueda estar ocupado. Asegúrese de que los gases de escape no puedan entrar por ventanas, puertas, tomas de aire de ventilación u otras aberturas en un espacio cerrado en el que puedan acumularse. Tenga en cuenta los vientos y las corriente de aire preponderantes cuando elija la ubicación del generador.

⚠ ADVERTENCIA	
	Al motor funcionar, se produce monóxido de carbono, un gas inodoro y venenoso. Respirar monóxido de carbono puede provocar dolor de cabeza, fatiga, mareos, vómitos, confusión, ataques, náuseas, desmayos o incluso la muerte.
<ul style="list-style-type: none"> • Opere el generador SOLAMENTE al aire libre. • Instale una alarma de monóxido de carbono con batería cerca de los dormitorios. • Asegúrese de que los gases de escape no puedan entrar por ventanas, puertas, tomas de aire de ventilación u otras aberturas en un espacio cerrado en el que puedan acumularse. 	

Pautas Generales para la Ubicación del Generador

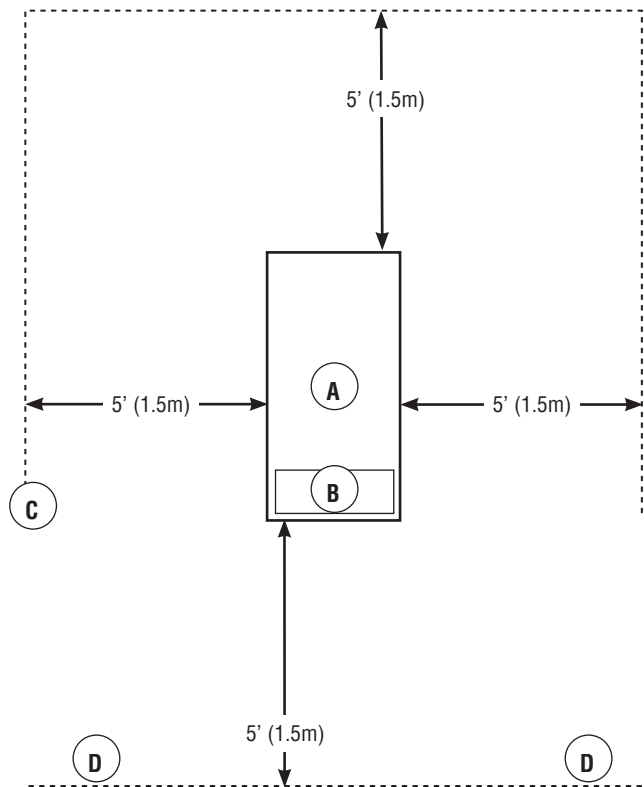
- La unidad SÓLO debe instalarse en exteriores.
- Ubique la unidad en un lugar preparado, que sea plano y cuente con sistemas de drenaje de agua.
- Instale la unidad en un lugar en el que el agua procedente de bombas, canalizaciones de desagüe, canalones de tejado, sistemas de irrigación o

aspersores no pueda inundarla, mojar la caja ni penetrar por las aberturas de entrada o salida de aire.

- Instale la unidad de forma que no dificulte ni afecte a servicios tales como el teléfono, la electricidad, el suministro de combustible, el aire acondicionado o el riego, incluidos los servicios ocultos o subterráneos.
- Instale la unidad en un lugar donde las aberturas de entrada y salida de aire no queden obstruidas por hojas, pasto, nieve, etc. Si los vientos preponderantes ocasionan voladuras o arrastres, es posible que deba construir un rompevientos para proteger la unidad.
- Instale el generador lo más cerca posible del sistema de transferencia de energía automático para reducir la longitud del cableado y las canalizaciones.
- Instale el generador lo más cerca posible del suministro de combustible para reducir la longitud de los caños.

IMPORTANTE: Es posible que las leyes o los códigos locales regulen la distancia al suministro de combustible.

A continuación, se muestran los espacios libres mínimos entre el generador (A) y los materiales combustibles (C) y (D) desde una perspectiva superior.



A Generador de reserva doméstico.

B Escape del motor.

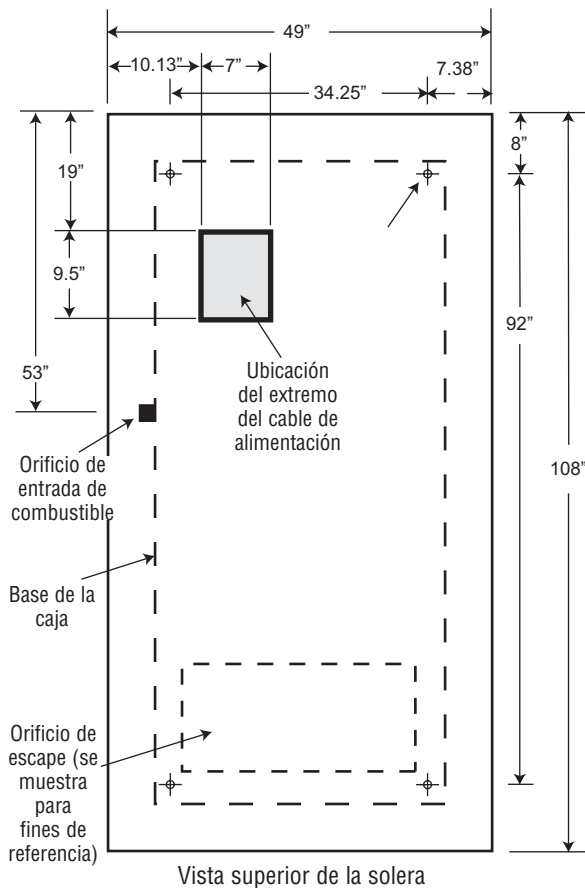
C Material o estructura combustible con una clasificación de resistencia al fuego de menos de 1 hora.

D Cualquier estructura o material. NO conecte (A) o (D) a (E).

- Estas distancias se ofrecen para ayudar a ubicar el generador teniendo **EXCLUSIVAMENTE** en cuenta la presencia de materiales combustibles, la refrigeración del generador y el mantenimiento.
- Las distancias mínimas son las que se muestran en la ilustración. Ninguno de los cuatro lados del generador puede quedar cerrado ni obstruido, aunque se mantengan las distancias mínimas. **NO conecte (C) a (D)**.
- No se puede utilizar un techo.
- Evite la acumulación de los gases **(B)** de escape. Consulte la advertencia sobre monóxido de carbono en las *normas de seguridad*.

Solera de concreto

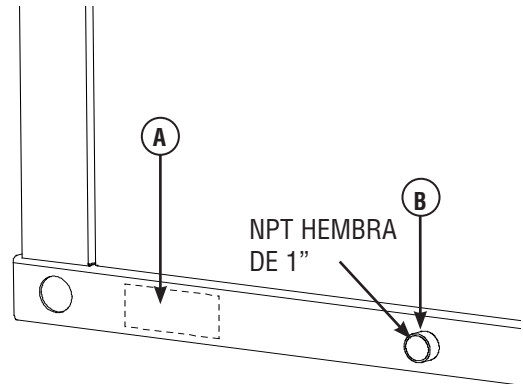
En la ubicación apropiada, construya una solera de cemento (con una fuerza de compresión de 28 días de 3000 psi (200 MPa)) con 12,7 cm (5 pulgadas) mínimo de espesor y 15,2 cm (6 pulgadas) más ancha que la caja, en todos sus lados. Refuerce la solera con barras de refuerzo No. 6 (en centros de 30,5 cm [12 pulg.]) o tela de alambres de acero de 8 ga (centros de 15,2 cm [6 pulg.]). Evite colocar refuerzo en el área del cabo de entrada.



Fije la unidad a la solera con pernos de anclaje de mampostería de un diámetro de 7,9 mm (5/16 de pulg.) (mínimo) lo suficientemente largos como para sostener la unidad.

Ubicación de las entradas eléctricas y de combustible

De preferencia, utilice un cabo de cable de alimentación que pase por la solera (ver arriba). Si no se utilizan cabos, **(A)** indica la ubicación recomendada donde deberá perforar los orificios para fijar el conducto de alimentación. El conector de la entrada de combustible **(B)** se muestra para fines de referencia.



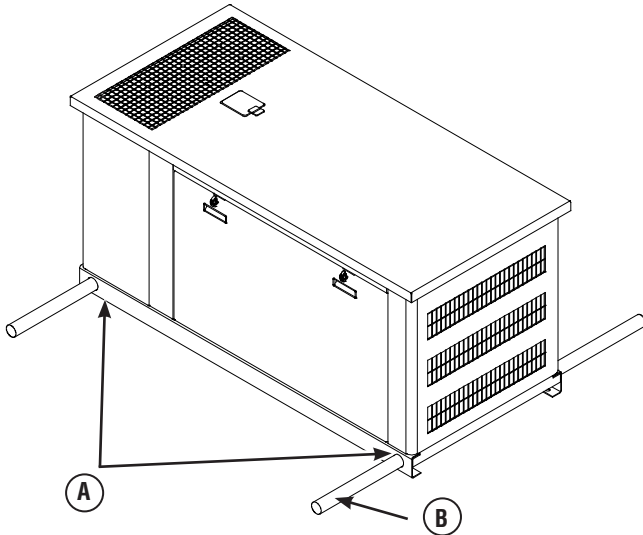
Elevación del Generador

El generador pesa más de 773 kg (1.700 libras). Todas las fases de manipulación y traslado del generador requieren el uso de herramientas, equipos y profesionales cualificados.

⚠ ADVERTENCIA	
	<p>Tensión peligrosa</p> <p>El contacto con los cables eléctricos puede provocar electrocución y quemaduras.</p>
	<p>Peligro al elevar el equipo / Objeto pesado</p> <p>Puede provocar daños en los músculos y en la espalda.</p>
<ul style="list-style-type: none"> • NO toque ningún cable eléctrico cuando utilice el equipo de elevación/izado requerido. • NO eleve ni mueva el generador sin ayuda. • Utilice tubos de elevación o correas como se describe en la sección Elevación del generador. La unidad se puede mover y provocar lesiones. • NO levante la unidad por la parte superior; podría provocar daños en el generador. 	

Se requieren dos segmentos de 1,5 m (60 pulg.) Programa 40 de tubo de 5 cm (2 pulg.) (B), suministrados por el instalador, para levantar el generador y colocarlo sobre el soporte de cemento. Inserte los tubos a través de los orificios de elevación (A) ubicados cerca de la base de la unidad.

Instalación

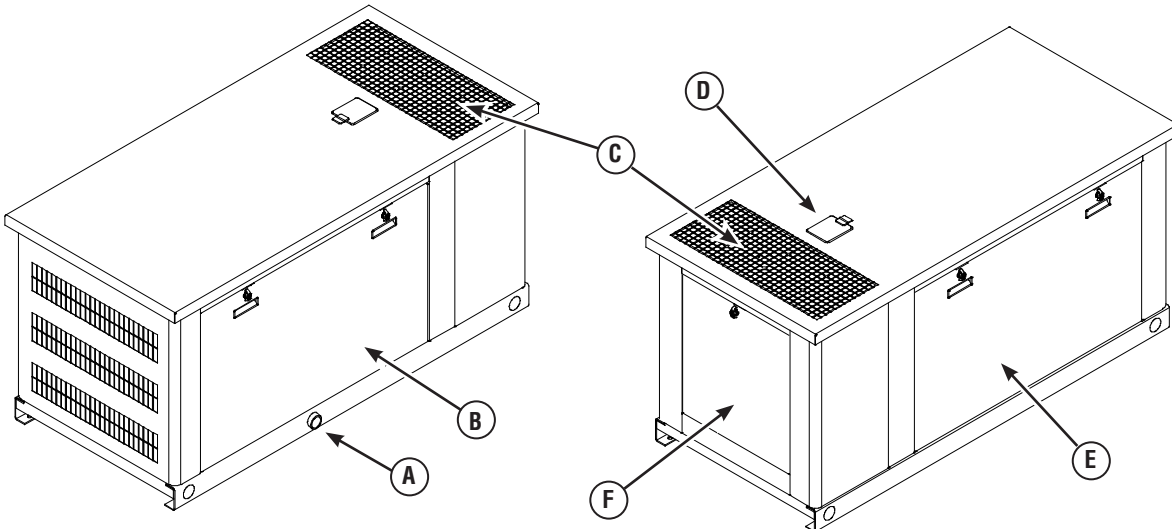


Utilice una barra separadora para garantizar que las cadenas, correas o cables NO toquen la parte superior del generador.

Puertas de Acceso

El generador doméstico dispone de una caja con tres puertas de acceso, como se muestra en la ilustración anterior. La denominación de las puertas corresponde al componente principal alojado tras ellas:

- A Orificio de Entrada de Combustible (se muestra como referencia)
- B Puerta del Panel de Control
- C Orificio de Gases de Escape
- D Puerta de Llenado de Aceite
- E Puerta de la batería
- F Puerta para Gases de Escape (se muestra como referencia)



ADVERTENCIA



El contacto con la zona del silenciador puede producir quemaduras graves.

- NO toque las superficies calientes y evite los gases del escape a alta temperatura.
- Permita que el equipo se enfríe antes de tocarlo.

Las puertas de llenado de refrigerante, de la batería y del panel de control deben estar instaladas siempre que la unidad esté en funcionamiento.

Cada generador doméstico está equipado con dos llaves idénticas que accionan los cerrojos de las puertas de acceso.




Para abrir una puerta de acceso:

1. Inserte la llave en la cerradura del picaporte de la puerta de acceso que desee abrir y gire un cuarto de vuelta hacia la izquierda. Retire la llave. El cerrojo del picaporte se quedará abierto hasta que vuelva a cerrarlo.
2. Agarre el picaporte de la puerta y gire un cuarto de vuelta hacia la izquierda para abrir.
3. El cerrojo de la puerta de llenado de refrigerante se abre del mismo modo. Se puede usar para añadir refrigerante o aceite.

Para cerrar una puerta de acceso:

1. Cierre la puerta y gire su picaporte un cuarto de vuelta hacia la derecha.
2. Inserte la llave en la cerradura de la puerta de acceso y gire un cuarto de vuelta hacia la derecha. Retire la llave.

Sistema de combustible gaseoso

 ADVERTENCIA	
	El Gas Natural y el Propano son extremadamente inflamables y explosivos.
	El fuego o una explosión pueden causar quemaduras severas e inclusive la muerte.
<ul style="list-style-type: none"> • El gas LP es más pesado que el aire y se puede concentrar en áreas bajas. • El gas natural es más liviano que el aire y se puede concentrar en áreas elevadas. • Hasta la menor chispa puede hacer que estos combustibles se enciendan y causen una explosión. • NO encienda un cigarrillo o fume. 	

La información que se encuentra a continuación sirve para asistir a los técnicos especializados en sistemas de combustibles gaseosos en la planificación de las instalaciones. En ninguna circunstancia esta información debe interpretarse en forma contraria a los códigos aplicables a temas de gas combustible. Consulte al proveedor de combustible local o al supervisor del departamento de bomberos si surgen problemas o preguntas.

AL INSTALADOR: Antes de aplicar estas pautas generales, consulte al propietario del sistema de generador de doméstico y comuníquelo cualquier factor técnico a tener en cuenta que pudiera influir en sus planes de instalación.

Las siguientes son reglas generales que se aplican a las cañerías utilizadas en los sistemas de combustible gaseoso:

- Las tuberías deben ser de un material que cumpla los reglamentos nacionales y locales y deben montarse rígidamente y protegerse contra las vibraciones.
- Los tubos deben estar protegidos contra daños físicos cuando pasen por arriates de flores y arbustos y por otras zonas cultivadas.
- Instale el tubo flexible para gases (suministrado) entre la entrada de combustible del sistema de generador de doméstico y los tubos rígidos para evitar que la expansión o contracción térmica someta a un exceso de presión a los tubos.

NOTA: En caso de peligro de terremoto, tornado, inestabilidad del terreno o inundación, se recomienda adoptar medidas especiales para mejorar la resistencia y flexibilidad de los soportes y las conexiones de los tubos.

PRECAUCIÓN

El cañería de gas flexibles no se debe instalar en forma subterránea ni se debe utilizar en contacto con el suelo.

- Todo el conector flexible debe mantenerse visible para realizar inspecciones periódicas y no se lo debe ocultar dentro o en contacto con o a través de ninguna pared, piso o división.
- La dimensión de los tubos debe ser la adecuada para mantener la presión y el caudal suficientes en distintas condiciones de carga del generador, con todos los equipos de gas conectados al sistema de combustible y en funcionamiento.
- Use un sellador de tuberías o compuesto para uniones aprobado para uso con NG/LPG en todos los acoplamientos con rosca para reducir la posibilidad de fugas.
- Las cañerías instaladas deben ser adecuadamente purgadas y se debe verificar que no tengan fugas, de acuerdo con las normas y los códigos correspondientes.

Instalación

ADVERTENCIA



El Gas Natural y el Propano son extremadamente inflamables y explosivos.



El fuego o una explosión pueden causar quemaduras severas e inclusive la muerte.

- Antes de poner en servicio el sistema de generador de doméstico, se deben purgar las líneas del sistema de combustible y se debe probar si presentan pérdidas.
- No se debe permitir que se produzca ninguna pérdida.

Tenga en cuenta los siguientes factores cuando planifique la instalación del sistema de suministro de combustible:

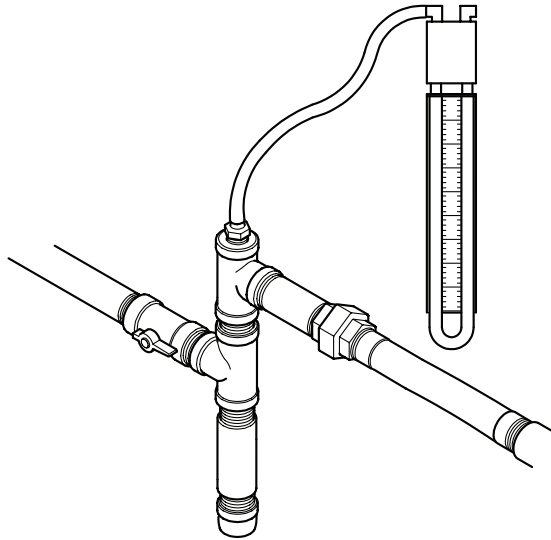
- Se debe instalar como mínimo una válvula de paso manual homologada y accesible en el conducto de suministro de combustible a menos de 1,8 m (6 pies) del sistema de generador de doméstico. Se instalará una unión o conexión con brida entre la válvula y el equipo para facilitar el desmontaje de los mandos.
- La presión de suministro de LP debe estar entre 7 y 11 pulgadas de columna de agua con carga completa con todos los aparatos de gas encendidos y en funcionamiento.
- La presión de suministro de gas natural en la entrada de combustible del generador debe estar entre 7 y 11 pulgadas de columna de agua con carga completa con todos los aparatos de gas encendidos y en funcionamiento.

La unidad de generador doméstico ha sido configurada de fábrica para funcionar con gas natural. La unidad puede convertirse de gas natural a gas LP o viceversa, usando dos personas y herramientas especiales. Consulte *Conversión de combustible*, más adelante en este manual.

Se recomienda que la conexión de combustible incorpore los siguientes componentes:

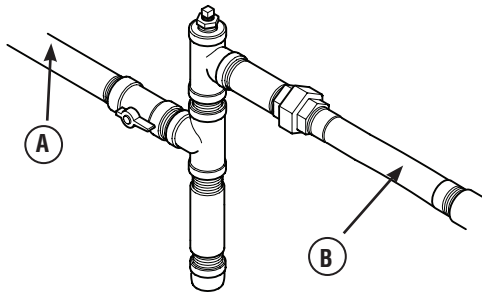
- Un mínimo de 10 pies (3 m) de tubería para gas entre el regulador de combustible principal y la conexión de la entrada de combustible del generador (actúa como acumulador para cargas del bloque superior).
- Una válvula de cierre manual de combustible ubicada fuera del edificio, justo antes del generador.
- En caso de peligro de formación de hidratos o hielo, los tubos se deberán proteger contra la congelación. En uno de los extremos del circuito de tubos rígidos debe haber un depósito de sedimentos en el que no se congele el vapor de agua condensado.
- Se debe contar también con una abertura para manómetro.

La abertura para el manómetro permite la instalación transitoria de un manómetro para asegurar que el motor reciba la presión de combustible apropiada para funcionar en forma eficiente durante todo el rango de operación.



NOTA: Puede adquirir un manómetro digital (Ref. 19495) en su centro de servicio local.

Una vez finalizadas las pruebas de funcionamiento iniciales, se retira el manómetro y el orificio se tapona. En la ilustración, se muestra una conexión típica de combustible, donde (A) es el conducto de suministro y (B) va hasta el generador doméstico.



Dimensiones de la Cañería de Combustible

Existen numerosas referencias en línea o publicadas en otros medios para conocer el tamaño de la tubería de combustible. El instalador debe considerar la densidad específica del gas y compensar la cantidad normal de restricciones debidas a curvas, accesorios, etc. Si se utiliza un número inusual de accesorios, curvas u otras restricciones, consulte los reglamentos nacionales y locales.

Consumo de Combustible

A continuación, se muestran los requisitos estimados de suministro de combustible a plena y media carga de gas natural y vapor de LP.

	Gas Natural		Vapor de PL	
	1/2 Carga	Carga completa	1/2 Carga	Carga completa
45kW	483 C	777 C	178 C	297 C
	483,000 B	777,000 B	445,000 B	742,000 B

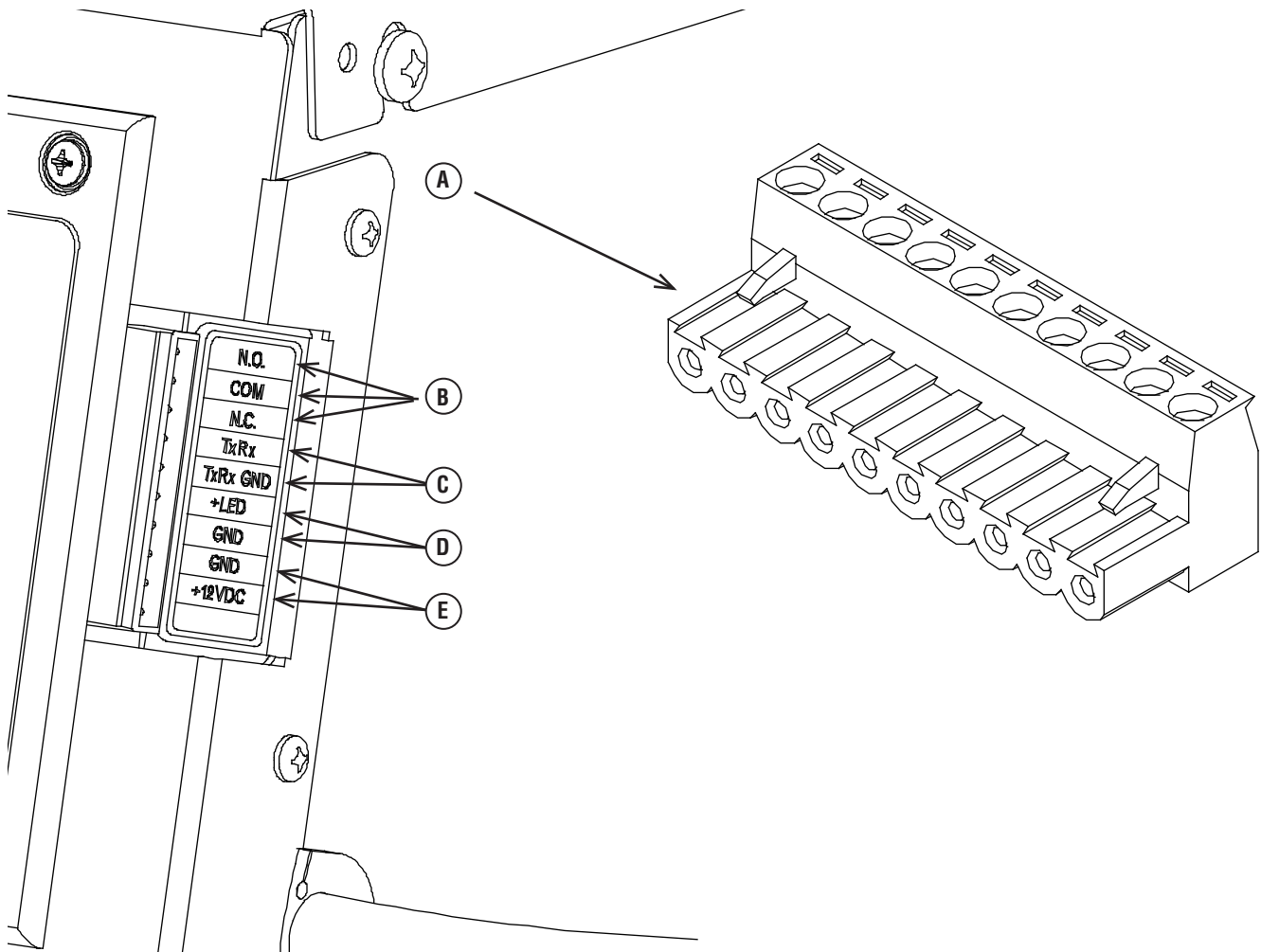
C = en pies cúbicos por hora
B = BTU por hora

Propiedades físicas	Vapor de PL	Gas Natural
Estado normal a presión atmosférica	Gas	Gas
Punto de ebullición (en °F): Inicia Fina	-44 -44	-259 -259
Poder calorífico: BTU por galón (LHV Neto*) BTU por galón (bruto**) Pies cúbicos (gas)	83,340 91,547 2,500	63,310 1,000
Densidad***	36.39	57.75
Peso†	4.24	2.65
Número de octanos: De investigación Motor	110+ 97	110+

* LHV (poder calorífico inferior) es el valor nominal más realista.
** El poder calorífico bruto no considera la pérdida de calor en forma de agua durante la combustión.
*** La densidad se expresa en "Pies Cúbicos de Gas por Galón de Líquido".
† El peso se indica en "Libras por Galón de Líquido".

Conexiones de Sistema

Las conexiones de baja tensión (LV) a los contactos de fallo de señal, comunicación del conector, LED remoto y alimentación auxiliar de 12 V CC se realizan con un conector extraíble de diez patillas. Compare la ilustración con su generador para familiarizarse con la ubicación de estas importantes conexiones:



A - Cableado para toma de 10 polos:

B - Contactos de fallo - Utilice NO, COM y NC para activar una sirena, un indicador luminoso, un dispositivo GenAlert opcional, etc. como aviso para los casos de fallo. Los contactos cambian de estado cuando se presenta una condición de fallo.

C - Comunicación con el conector - Conecte al tablero de control del conector para la interfaz de comunicación.

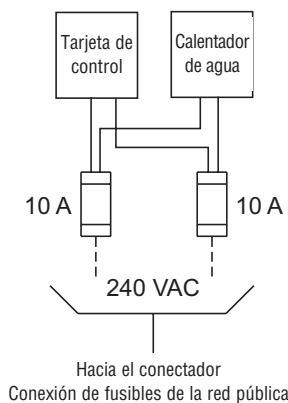
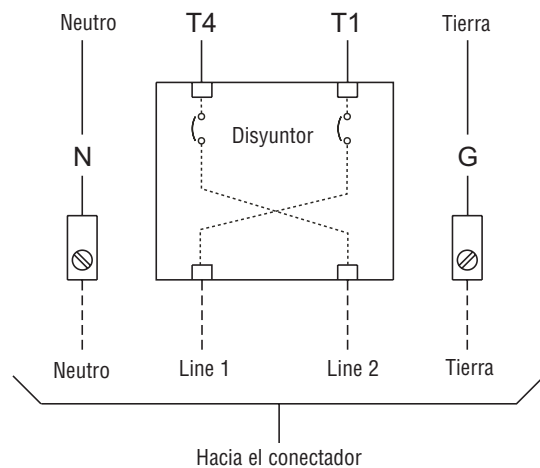
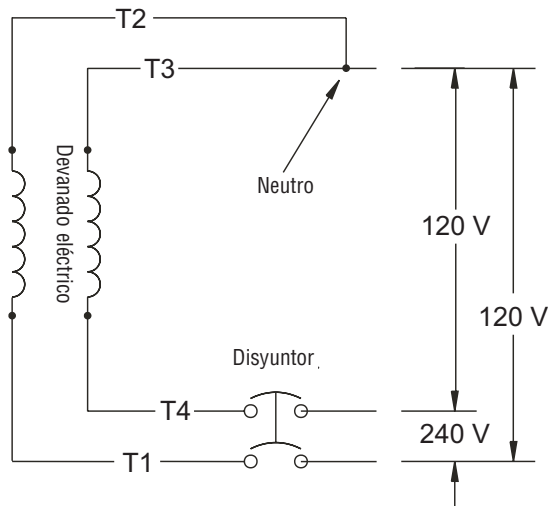
D - Salida de LED remoto - Se utiliza para conectarse al LED remoto suministrado con el generador. El LED remoto parpadeará si se detectan determinadas averías en el generador.

E - Salida de +12 V CC y 0,5 A - Fuente de alimentación interna auxiliar.

Sistema de Conexión de c.a. del Generador

En el sistema de generador de doméstico se utiliza un sistema de conexión monofásico de CA de tres hilos. El conjunto del estator consta de un par de devanados estacionarios con dos terminales que salen de cada devanado. La unión de los conductores T2 y T3 forma el neutro, como se muestra en el diagrama siguiente. El manual ilustrado de componentes incluye un esquema completo y un diagrama de conexiones.

NOTA: El neutro no está conectado a tierra en el generador.



Conexión a Tierra del Generador

Conecte a tierra el generador doméstico con arreglo a los códigos y normas vigentes. Hay dos terminales de conexión a tierra (GND) en el generador. El primero, situado dentro del cuadro de conexiones del alternador, junto al disyuntor, es el terminal principal y será válido para la mayoría de las aplicaciones. El segundo terminal de tierra (GND) del generador está situado en el bastidor, bajo la tapa del disyuntor del generador, y SÓLO debe utilizarse para una varilla de conexión a tierra situada en el generador, si así lo exige la normativa local. Consulte *Controles* para conocer su ubicación.

Interconexiones del Circuito de Control

Los cables "240V Utility" (servicio de 240 V) se deben pasar a través del conducto. Los cables "240V Utility" (servicio de 240 V) suministran alimentación a la tarjeta de circuito impreso del generador y al calentador de agua. Esta alimentación también carga la batería. Cuando se pierde la alimentación de estos cables, el generador se enciende.

Conecte cada terminal de fusibles de diez amperios en el cuadro de conexiones del alternador a los terminales de fusibles de diez amperios en el conector automático usando un cable de cobre 14 AWG de 300V como mínimo, suministrado por el instalador.

Sistema de Detección de Fallas

El panel de control del generador incluye una pantalla digital que muestra los códigos de fallo. Mostrará un código de fallo cuando el generador detecte determinados fallos. Se suministra un LED adicional y una placa de montaje que se pueden instalar en un punto interior adecuado. Parpadeará si se detectan determinadas averías en el generador. Consulte la sección *Sistema de detección de fallos* en el manual del operario para obtener más información.

El propietario lo utilizará para observar el estado del generador. Consulte con él la ubicación más adecuada. Sitúe el cuadro eléctrico en una zona visible para el propietario; por ejemplo, cerca del abrigo o del panel de control de seguridad de una puerta de garaje.

Para instalar el panel del LED remoto:

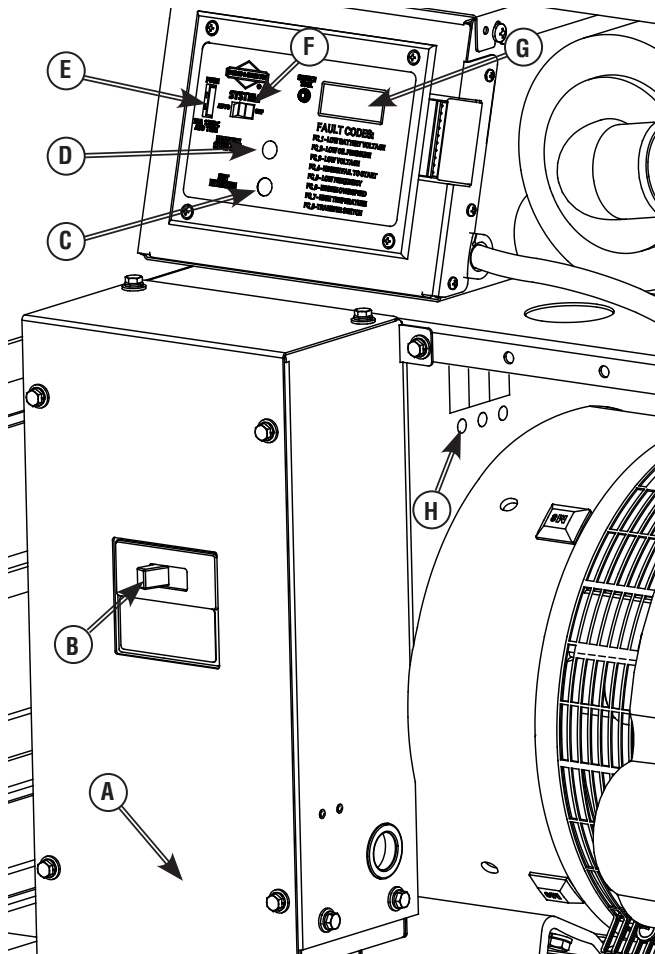
1. Presione el LED a través de la placa de montaje desde la parte delantera hasta que encaje en su posición.

IMPORTANTE: El LED es sensible a la polaridad.

2. Conecte el LED remoto a la conexión +LED y GND de la tarjeta de control del generador. Para ello, utilice el conector de 10 polos incluido y cable 18 AWG, como mínimo, suministrado por el instalador. Utilice tuercas para fijar el cable al LED.
3. Conecte la placa de montaje a la caja eléctrica de bajo voltaje proporcionada por el instalador.

Panel de Control del Sistema

A continuación se muestra el panel de control del generador doméstico, situado en el interior del cuerpo del generador.



Breve descripción de los mandos utilizados durante la instalación:

- A La caja del disyuntor - Está equipada con un panel inferior desmontable que permite conectar los conductos.
- B Disyuntor: debe estar en la posición ON para suministrar energía al conector.
- C Interruptor Set Exercise (Preparar prueba): se usa para establecer el tiempo del ciclo de prueba.
- D Conmutador de cancelación manual: se usa para arrancar y detener manualmente el generador.
- E Fusible de 15 A: protege los circuitos de control de CC.
- F Conmutador del sistema: alterna entre los modos OFF y AUTO.
- G Pantalla digital: muestra la hora de funcionamiento en horas y códigos de fallo.
- H Regulador de tensión: se utiliza para ajustar la tensión de salida del generador.

Para obtener más información, consulte la sección *Mandos* del manual del operario.

Conmutador del sistema

Este dispositivo de dos posiciones es el control más importante en el sistema. Se utiliza de la siguiente manera:

- La posición "AUTO" es la posición normal funcionamiento. Si se detecta una interrupción de la alimentación eléctrica de la red, el sistema hace que arranque el generador. Cuando se restablece la alimentación eléctrica de la red, el sistema espera a que se establezcan las temperaturas internas del motor, para el generador y se pone en estado de espera para la próxima vez que se interrumpa la alimentación eléctrica.
- La posición "OFF" hace que se pare el generador, impide el arranque de la unidad y reinicializa cualquier fallo detectado.

Fusible de 15 Amperios

Protege los circuitos de control de CC del generador doméstico. Si el fusible se 'fundió' (se quemó y abrió) o fue retirado, el motor no puede arrancar. Cambie el fusible por otro idéntico: ATO de 15 A. La unidad se suministra con un fusible de repuesto. Si el fusible se fundió o fue retirado, necesitará reinicializar el temporizador de prueba (consulte Ajuste del temporizador de prueba).

Consideraciones finales para la instalación

Aceite de Motor

AVISO

Si intenta arrancar el motor antes de llenarlo con el refrigerante y aceite recomendados, provocará un fallo del equipo.

- Consulte *Mantenimiento* en el manual del operario y manual del motor para obtener información sobre el llenado de refrigerante y aceite.
- El daño a la generador, resultado de la desatención a esta precaución, no será cubierto por la garantía.

Este motor se pone en funcionamiento y llena con aceite no sintético (API SL 10W-30W) en la fábrica. Esta medida facilita hacer funcionar el sistema en una amplia gama de condiciones de temperatura y climáticas. Antes de arrancar el motor, compruebe el nivel de aceite y asegúrese de que se hayan realizado las actividades de mantenimiento o reparación necesarias, como se describe en el manual del operario del motor.

Sistema refrigerante

Este motor se llena en la fábrica con una mezcla de anticongelante de automoción (Dex-Cool™ color naranja) y agua, en una proporción de 50-50. Esta medida proporcionará protección óptima anual contra congelamiento, ebullición y corrosión.

El sistema refrigerante incorpora un calentador de agua que funciona cuando la temperatura ambiente es menor a 26,6 °C (80 °F) Y el conector recibe alimentación de la red pública. Antes de arrancar el motor, compruebe el nivel de refrigerante como se describe en el manual del operario del motor.

Batería

El instalador debe suministrar una batería de arranque de 12 V CC, 650 amperios de arranque en frío (CCA) y 55 Ah sellada y recargable. Es posible que la batería no esté totalmente cargada cuando se instale. Si la tensión de la batería es menor a 12 V, cárguela. Consulte Batería en la sección Mantenimiento para obtener información.

NOTA: NO utilice una batería de ciclo profundo.

Sistema de Suministro de Combustible

Asegúrese de que todas las conexiones de la cañería de combustible estén ceñidas, firmes y que no presenten pérdidas.

Asegúrese de que todas las válvulas de cierre de la línea de gas estén abiertas (OPEN) y que la presión de combustible sea la adecuada.

Arranque inicial (sin carga)

Antes de poner en funcionamiento el generador doméstico, inspeccione detenidamente toda la instalación.

A continuación, pruebe el sistema sin ninguna carga eléctrica conectada, como se indica a continuación:

NOTA: La unidad se configuró en la fábrica para funcionar con gas natural. La conversión de combustible, si se requiere, debe completarse antes de realizar estos pasos.

1. Ponga el disyuntor principal del generador en la posición **ON** (cerrado).
2. Compruebe que el fusible de 15 A esté instalado en el panel de control.
3. Fije el conmutador del sistema del generador en la posición **AUTO**.
4. Pulse el conmutador MANUAL OVER-RIDE (CANCELACIÓN MANUAL) del panel de control.

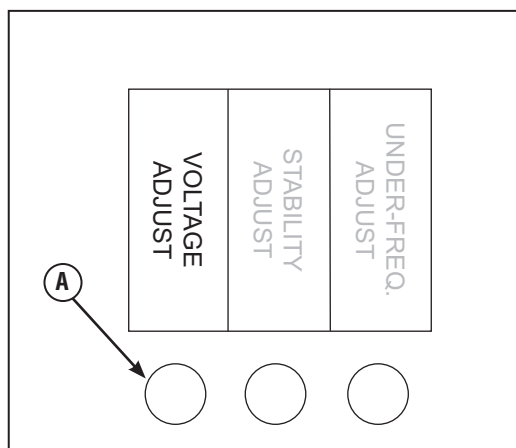
NOTA: Cuando el sistema de generador de doméstico se arranca por primera vez, es necesario purgar el aire de las líneas de combustible gaseoso. Esto puede tardar algunos minutos.

5. NO intente arrancar el motor durante más de 15 segundos. Tras cada intento, haga una pausa de 15 segundos para evitar el sobrecalentamiento del sistema de arranque.
6. Repita el proceso hasta que arranque el motor.
7. Escuche si se oyen ruidos anormales o si se observa vibración u otros indicios de funcionamiento anormal. Compruebe si se produce alguna fuga de aceite o agua durante el funcionamiento del generador.

8. Deje que el motor se caliente durante aproximadamente cinco minutos para permitir que las temperaturas internas se estabilicen.
9. Conecte un voltímetro de c.a. preciso y un medidor de frecuencia para verificar la salida del generador en las orejetas terminales de conexión al generador (emergency/generator connection) en el conmutador de transferencia automático. La tensión debe estar entre 239 y 244 Voltios y la frecuencia entre 59,8 y 60,2 Hz.

NOTA: Si la tensión de CA está fuera de estos rangos, ajuste el generador, pasos 13 y 14 siguientes.

10. Verifique la salida del generador entre una de las orejetas terminales de conexión al generador (emergency/generator connection) y la orejeta terminal de conexión al neutro, luego entre la otra orejeta de conexión al generador (GENERATOR CONNECTION) y la orejeta terminal de conexión al neutro. En ambos casos, las lecturas de tensión deben estar entre 117 y 123 Voltios.
11. Pulse y tiene el conmutador MANUAL OVER-RIDE (CANCELACIÓN MANUAL) del panel de control hasta paradas de motor.
12. Si los valores de tensión y frecuencia son correctos, continúe con el paso 15.
13. Conecte el voltímetro como se describe en el paso 9 anterior.
14. Mientras observa el voltímetro, ajuste el control (A) de tensión del alternador en 240 V. NO ajuste ninguno de los demás controles del alternador.



15. Instale la cubierta de la caja del disyuntor del alternador.
16. Cierre todas las puertas de acceso de la caja.

Conversión de combustible

La unidad se entrega calibrada para funcionar con gas natural (NG). Para convertir el motor de NG a vapor de petróleo licuado (LP), puede dirigirse al departamento de servicio al cliente llamando al **(800) 743-4115**.

Mandos

Todos los mandos del sistema generador se describen en el manual del operario. Consúltelo para obtener información detallada.

Utilización

Secuencia de operación automática

El panel de control del generador aloja una plaqueta de control lógico. Esta plaqueta de control supervisa constantemente la tensión de origen de energía de la compañía proveedora de electricidad. Si esa tensión cae por debajo de un nivel preestablecido, la acción de la plaqueta de control indica al motor que arranque.

Cuando se restablece la tensión de origen de la compañía proveedora de electricidad por encima de un nivel de tensión preestablecida, se indica al motor que se apague.

La operación real del sistema no se puede ajustar y se divide en secuencias mediante sensores y temporizadores en la plaqueta de control, de la siguiente manera:

Sensor de caída de tensión de la compañía proveedora de electricidad

- Este sensor supervisa la tensión de origen de la compañía proveedora de electricidad.
- Si la tensión de origen de la compañía proveedora de electricidad cae por debajo de aproximadamente el 70 por ciento de la tensión de suministro nominal, el sensor energiza un temporizador de 10 segundos. El temporizador se utiliza para detectar caídas de tensión.
- Una vez transcurrido el tiempo del temporizador, el motor arranca en forma manual.

Sensor de excitación de tensión de la compañía proveedora de electricidad

Este sensor vigila la tensión de alimentación de la red. Cuando se restablece la tensión alcanzando un valor superior al 80% de la tensión nominal, se pone en marcha un temporizador y el motor sigue funcionando durante un tiempo para enfriarse.

Temporizador de enfriamiento del motor

- Cuando la carga se transfiere nuevamente a la fuente de energía de la compañía proveedora de electricidad, comienza el conteo de tiempo del temporizador de enfriamiento del motor.
- El temporizador funciona durante aproximadamente un minuto, luego el generador se apaga.
- El tiempo mínimo de funcionamiento del motor es de 5 minutos.

Configuración del temporizador de práctica

El sistema de generador de doméstico está equipado con un temporizador de práctica que arranca el sistema y lo prueba una vez cada siete días. Durante este período de práctica, la unidad trabaja durante aproximadamente 20 minutos y luego se apaga. Durante el ciclo de práctica NO se produce la transferencia de cargas eléctricas (a menos que se produzca un corte en el suministro de la compañía proveedora de electricidad).

En el panel de control se encuentra un interruptor rotulado "Set Exercise" (configurar práctica) en la sección *Panel de Control del Sistema*. El día y la hora específicos en que se presiona este interruptor se programa en la memoria del panel de control. El LED del panel de control parpadeará hasta que se active la prueba.

Para llevar a cabo el procedimiento para configurar la práctica (Set Exercise):

1. Elija el día y la hora en que desea que se realice la práctica del sistema de generador de doméstico.
2. Ese día y a esa hora, pulse y mantenga pulsado el conmutador "Set Exercise" (Preparar prueba) durante tres segundos.
3. Posteriormente, la unidad arrancará y realizará su ciclo de prueba de 20 minutos.

Por ejemplo, si pulsa el botón "Set Exercise" el domingo en la mañana a las 10:00 a.m., la unidad realizará un ciclo de prueba inmediato y un ciclo de prueba cada domingo a las 10:00 a.m. (+/- 1/2 hora).

NOTA: La función de configuración de práctica ("Set Exercise") sólo funciona si la unidad se encuentra en el modo Automático y si se cumple este procedimiento en forma estricta. El dispositivo de prueba deberá rearmarse si el fusible de 15 A se cambia o retira o si la batería de 12 V CC se desconecta.

Si desea cambiar el día y la hora en que se realiza la práctica de la unidad, simplemente realice el procedimiento de configuración de práctica ("Set Exercise") exactamente el día de la semana y a la hora en que desea que se lleve a cabo.

Inspección posterior a la instalación

Siga la "Lista de comprobaciones de la instalación" a medida que realiza la inspección. Asegúrese de haber completado todos los elementos y obtenido todas las firmas. Envíe por correo la copia blanca (y la declaración de emisiones, si está completa) a:

Briggs & Stratton Power Products
Warranty Registration
P. O. Box 239
Jefferson, Wisconsin 53549-0239

El manual del operario contiene información detallada sobre el uso, el mantenimiento y la resolución de problemas.



Home Generator Systems

Manuel d'Installation et Démarrage



**Groupe électrogène à
refroidissement par
liquide de série 45000**

Merci d'avoir acheté cette génératrice de qualité Briggs & Stratton. Nous sommes heureux que vous fassiez confiance à la marque Briggs & Stratton. Si vous respectez les instructions d'utilisation et d'entretien selon les directives du manuel d'utilisation, vous pourrez vous fier à votre génératrice Briggs & Stratton durant de nombreuses années.

Ce manuel contient des renseignements sur la sécurité pour vous informer des dangers et des risques associés au groupe électrogène ainsi que de la façon de les éviter. Le groupe électrogène est conçu pour être utilisé comme groupe électrogène optionnel fournissant une source d'électricité alternative et pour desservir des charges comme le chauffage, les systèmes de réfrigération et les systèmes de communication qui, lorsqu'ils sont arrêtés durant une panne d'électricité, peuvent causer des inconforts ou inconvénients. Ce produit n'est pas conçu pour être utilisé à d'autres fins et ne se qualifie pas comme génératrice d'urgence tel que défini par la NFPA 70 (NEC).

Cette génératrice résidentielle auxiliaire nécessite une installation professionnelle avant l'utilisation. Ce manuel d'installation vous donne des informations complètes. Suivez ces directives à la lettre. **Conservez ces instructions pour référence future.**

Où nous trouver

Vous n'aurez jamais à chercher bien loin pour trouver un centre de support et de service pour les génératrices résidentielles auxiliaires. Consultez les Pages Jaunes. Il y a des milliers de distributeurs de service après-vente agréés Briggs & Stratton dans le monde. Vous pouvez aussi téléphoner au Service à la clientèle de Briggs & Stratton au **(800) 743-4115** ou utiliser notre Outil de recherche à BRIGGSandSTRATTON.COM, qui procure une liste des détaillants autorisés de Briggs & Stratton.

Date d'achat

<input type="text"/>	<input type="text"/>	<input type="text"/>	<input type="text"/>	<input type="text"/>	<input type="text"/>
----------------------	----------------------	----------------------	----------------------	----------------------	----------------------

Génératrice

Numéro de modèle

<input type="text"/>	<input type="text"/>	<input type="text"/>	<input type="text"/>	<input type="text"/>	<input type="text"/>	<input type="text"/>
----------------------	----------------------	----------------------	----------------------	----------------------	----------------------	----------------------

Révision

<input type="text"/>	<input type="text"/>
----------------------	----------------------

Numéro de série

<input type="text"/>	<input type="text"/>	<input type="text"/>	<input type="text"/>	<input type="text"/>	<input type="text"/>	<input type="text"/>	<input type="text"/>	<input type="text"/>	<input type="text"/>
----------------------	----------------------	----------------------	----------------------	----------------------	----------------------	----------------------	----------------------	----------------------	----------------------

Moteur

Numéro de modèle

<input type="text"/>	<input type="text"/>	<input type="text"/>	<input type="text"/>	<input type="text"/>	<input type="text"/>	<input type="text"/>	<input type="text"/>	<input type="text"/>	<input type="text"/>	<input type="text"/>	<input type="text"/>
----------------------	----------------------	----------------------	----------------------	----------------------	----------------------	----------------------	----------------------	----------------------	----------------------	----------------------	----------------------

Numéro de série

<input type="text"/>	<input type="text"/>	<input type="text"/>	<input type="text"/>	<input type="text"/>	<input type="text"/>	<input type="text"/>	<input type="text"/>	<input type="text"/>	<input type="text"/>
----------------------	----------------------	----------------------	----------------------	----------------------	----------------------	----------------------	----------------------	----------------------	----------------------

Briggs & Stratton Power Products Group, LLC
900 North Parkway
Jefferson, WI 53549

Copyright © 2008 Briggs & Stratton Power Products Group, LLC. Tous droits réservés. Aucune partie de ce manuel ne peut être reproduite ou transmise sous n'importe quelle forme et par quelque moyen que ce soit sans l'autorisation expresse écrite de Briggs & Stratton Power Products Group, LLC.

Table des matières

Directives de sécurité importantes	4
Installation	7
Responsabilités de l'Installateur	7
Vérification de la Livraison	7
Contenu de la Boîte	7
Emplacement du Générateur d'état d'Attente	8
Portes d'Accès	10
Le système de combustible gazeux	11
Consommation de Combustible	12
Connexions de système	13
Mise à la Masse de la Générateur	14
Interconnexions du Circuit de Commande	14
Tableau de Commande du Système	15
Considérations pour l'installation finale	15
Système d'Alimentation en Combustible	16
Démarrage initial (sans charge)	16
Conversion du combustible	16
Commandes	17
Fonctionnement	17
Séquence de fonctionnement automatique	17
Réglage de la minuterie de cycle d'exercice	18
Vérification installation	18

Sécurité

Instalación

Commandes

Fonctionnement

Veillez conserver ces instructions

Directives de sécurité importantes

Le symbole indiquant un message de sécurité (▲) est accompagné d'un mot indicateur (DANGER, ATTENTION, AVERTISSEMENT), d'un message illustré et/ou d'un message de sécurité visant à vous avertir des dangers.

DANGER indique un danger qui, s'il n'est pas évité, provoquera des blessures graves, voire fatales.

AVERTISSEMENT indique un danger qui, s'il n'est pas évité, peut provoquer des blessures graves, voire fatales.

ATTENTION indique un danger qui, s'il n'est pas évité, peut provoquer des blessures mineures ou légères. Le mot **AVIS** indique une situation pouvant endommager l'équipement. Suivez les messages de sécurité pour éviter ou réduire les risques de blessures ou de mort.

Le présent guide contient des instructions relatives à l'installation, au démarrage et aux réglages d'un groupe électrogène pour les appareils fonctionnant sous 120 et/ou 240 volts, monophasés, 60 Hz. Le groupe électrogène peut fonctionner avec du gaz de pétrole liquéfié ou du gaz naturel. Des manuels d'utilisation distincts pour le moteur et la génératrice sont fournis et contiennent les instructions d'utilisation et d'entretien de ce système.

Tout a été fait pour s'assurer que les renseignements contenus dans le présent guide soient exacts et à jour. Toutefois, le fabricant se réserve le droit de changer, de modifier ou encore d'améliorer le système en tout temps, et ce, sans préavis.

Symboles de Danger et Moyens



▲ AVERTISSEMENT



Les batteries d'accumulateur produisent du gaz hydrogène explosif lorsqu'elles se rechargent.

La plus petite étincelle enflammera l'hydrogène et provoquera une explosion.



Le liquide d'électrolyte de l'accumulateur contient de l'acide et est extrêmement caustique.



Le contact avec le liquide de l'accumulateur provoquera de graves brûlures chimiques.

Toute batterie présente un risque de choc électrique et de courant de court-circuit élevé.

- NE jetez PAS la batterie dans le feu.
- Ne laissez aucune flamme, étincelle, source de chaleur ou cigarette allumée pendant ou plusieurs minutes suivant la charge de l'accumulateur.
- N'ouvrez PAS ni N'endommagez la batterie.
- Portez des lunettes de protection, un tablier et des gants en caoutchouc.
- Enlevez votre montre, vos bagues et tout autre objet de métal.
- Utilisez des outils avec des poignées isolées.

▲ AVERTISSEMENT



Le moteur, lorsqu'il fonctionne, produit du monoxyde de carbone, un gaz toxique inodore et incolore.

L'inhalation du monoxyde de carbone peut causer des maux de tête, de la fatigue, des étourdissements, le vomissement, de la confusion, des crises épileptiques, des nausées, l'évanouissement ou la mort.

- Faites fonctionner le génératrice SEULEMENT à l'extérieur.
- Installez un avertisseur de monoxyde de carbone à piles près des chambres à coucher.
- Évitez que les gaz d'échappement entrent dans un espace restreint, par une fenêtre, une porte, une prise d'aération ou toute autre ouverture.

▲ AVERTISSEMENT

L'échappement du moteur de ce produit contient des produits chimiques que l'État de Californie considère comme causant le cancer, des déformations à la naissance ou d'autres dangers concernant la reproduction.

⚠ AVERTISSEMENT



Le générateur produit une tension élevée.
Ne pas relier le générateur à la terre risque de provoquer des électrocutions.
NE PAS isoler le générateur de l'installation électrique risque de provoquer des blessures ou même d'être fatal pour les ouvriers électriciens et de causer des dommages au générateur dus à un "backfeed" d'énergie électrique

- Lorsque vous utilisez le générateur comme source d'énergie de secours, il est nécessaire d'aviser les services publics d'électricité.
- NE touchez PAS les fils dénudés ou les boîtiers.
- NE manipulez PAS le générateur ou les cordons d'alimentation lorsque vous êtes debout dans l'eau, pieds nus ou avec les mains ou les pieds humides.
- Si vous devez travailler autour d'une unité alors qu'elle est en marche, placez-vous sur une surface sèche isolée afin de réduire les risques de choc électrique.
- NE laissez PAS des personnes non qualifiées ou des enfants se servir ou réparer le générateur.
- En cas d'accident causé par un choc électrique, procédez immédiatement à la mise hors tension de l'alimentation électrique et contacter des autorités locales. **Évitez tout contact direct avec la victime.**
- En dépit de la conception sécuritaire du groupe électrogène, le fait d'opérer l'équipement de façon imprudente, de ne pas l'entretenir ou d'être négligent peut causer des blessures et la mort.
- Demeurez alerte en tout temps lorsque vous travaillez sur cet équipement. NE travaillez JAMAIS sur l'équipement si vous êtes fatigué physiquement ou mentalement.
- Avant de procéder à tout entretien sur la génératrice, débranchez tout d'abord le câble de batterie identifié par **NEGATIVE, NEG** ou (-). Rebranchez le câble après avoir terminé.
- Une fois votre génératrice d'état d'attente installée, la génératrice peut se lancer et démarrer sans avertissement lorsque survient une panne électrique. Pour prévenir des blessures potentielles, **AVANT** de travailler sur l'équipement **ET** enlevez le fusible de 15 Ampères.

⚠ AVERTISSEMENT



Le gaz propane et le gaz naturel sont extrêmement inflammables et explosifs.



Le feu ou l'explosion risque de provoquer des blessures graves, pouvant être fatales.

- Installez le système d'alimentation de combustible conformément aux codes applicables aux combustibles et aux gaz.
- Avant de mettre en service le génératrice d'état d'attente, il faut purger adéquatement les lignes d'alimentation de combustible et les tester pour les fuites.
- Une fois le système installé, vous devez vérifier le système de combustible sur une base régulière.
- Aucune fuite ne peut être tolérée.
- NE faites PAS fonctionner le moteur si vous sentez une odeur de combustible ou si d'autres conditions d'explosion sont présentes.
- Abstenez-vous de fumer près de la génératrice. Essayez immédiatement tout déversement d'huile. Assurez-vous de ne laisser aucun matériau combustible dans le compartiment de la génératrice. Gardez la zone autour de la génératrice propre et sans débris.

⚠ AVERTISSEMENT



Tension dangereuse

Tout contact avec les lignes d'électricité peut causer un choc électrique ou des brûlures.



Risque de levage/Objet lourd

Peut entraîner un claquage musculaire ou des blessures au dos.

- Prenez garde de NE PAS toucher aux lignes d'électricité lorsque vous devez utiliser un appareil de levage.
- NE soulevez ni ne déplacez PAS la génératrice sans aide.
- Utilisez les tuyaux ou les courroies de levage comme décrit dans la section Levage de la génératrice. L'unité peut glisser lors du déplacement et ainsi causer des blessures.
- NE soulevez PAS l'unité par sa partie supérieure car cela endommagera la génératrice.

⚠ AVERTISSEMENT

Tout contact avec la zone du silencieux peut causer des brûlures graves.



La chaleur et les gaz d'échappement peuvent enflammer des matériaux combustibles et les structures ainsi que causer un incendie.

- NE touchez PAS aux pièces chaudes et évitez le contact avec les gaz d'échappement.
- Laissez l'équipement refroidir avant de le toucher.
- N'installez PAS la génératrice à moins de 1,5 m (5 pi) de tous matériaux combustibles ou structures comportant des murs combustibles dont le degré de résistance au feu est de moins d'une heure.
- Laissez un dégagement d'au moins 91 cm (3 pi) tout autour de la génératrice, y compris au-dessus.
- Le Code of Federal Regulation (CFR) Title 36 Parks, Forests, and Public Property exige que de l'équipement alimenté par un moteur à combustion interne soit doté d'un pare-étincelles et constamment maintenu en bon état fonctionnement, conformément à la norme de service 5100-1C de la USDA Forest ou à une révision de celle-ci. Dans l'État de la Californie, un pare-étincelles est requis en vertu de la section 4442 du California Public Resources Code. Il se peut que d'autres États aient des lois semblables aux terres fédérales. Si vous équipez le silencieux d'un pare-étincelles, il doit être en bon état de fonctionnement.

⚠ AVERTISSEMENT

Démarrateur et autres tournantes peut empêcher mains, cheveux, vêtement, ou accessoires.

- N'utilisez JAMAIS un génératrice sans bâti ou couvercles protecteurs.
- NE portez PAS de vêtements lâches, de bijoux ou tout ce qui risquerait d'être pris dans le démarreur ou toute autre pièce rotative.
- Embouteiller des cheveux longs et enlève la bijouterie.

⚠ ATTENTION

Les vitesses de fonctionnement excessivement élevées augmentent les risques de blessure ou risquent d'endommager le génératrice.

Les vitesses extrêmement lentes entraînent une charge importante.

- NE trafiquez PAS la vitesse réglée. Le génératrice produit une fréquence nominale et une tension correctes lorsqu'il fonctionne à une vitesse réglée.
- NE modifiez PAS le génératrice d'aucune façon.

AVIS

Dépassez la capacité de puissance ou d'ampérage du générateur risque d'endommager ce dernier et/ou les autres appareils électriques qui y sont branchés.

- Voir la section *Circuits Essentiels* dans le manuel d'utilisation.
- Démarrez le générateur et laissez le moteur se stabiliser avant de brancher les charges électriques.

AVIS

Un traitement inapproprié du génératrice risque de l'endommager et de raccourcir sa durée d'utilisation.

- Ne vous servez du générateur que pour les utilisations prévues.
- Si vous avez des questions concernant les utilisations prévues, demandez à votre distributeur ou contactez Briggs & Stratton.
- Ne faites fonctionner le générateur que sur des surfaces horizontales.
- Des débits d'air de refroidissement et d'aération adéquats sont nécessaires au bon fonctionnement de la génératrice.
- Lorsque l'unité est en marche, il faut que les portes de remplissage du liquide de refroidissement ainsi que les portes d'accès à la batterie et au tableau de commande soient installées.
- N'exposez pas le générateur à une humidité excessive, à de la poussière, à de la saleté ou à des vapeurs corrosives.
- En dépit de la conception sécuritaire du groupe électrogène, le fait d'opérer l'équipement de façon imprudente, de ne pas l'entretenir ou d'être négligent peut causer des blessures et la mort.
- Demeurez alerte en tout temps lorsque vous travaillez sur cet équipement. Ne travaillez jamais sur l'équipement si vous êtes fatigué physiquement ou mentalement.
- Ne démarrez jamais le moteur sans son filtre à air ou sans le couvercle du filtre à air.
- N'insérez aucun objet dans les fentes de refroidissement.
- N'utilisez pas la génératrice ni aucune partie de celle-ci comme palier. Le fait de marcher sur l'unité peut causer des contraintes et briser des pièces. Cela peut résulter en des conditions de fonctionnement dangereuses à cause d'une fuite de gaz d'échappement, de combustible, d'huile, etc.
- Si les appareils branchés sont en surchauffe, éteignez-les et débranchez-les du générateur.
- Arrêtez le générateur si :
 - la puissance électrique est inexistante;
 - l'équipement produit des étincelles, de la fumée ou des flammes;
 - l'unité vibre excessivement.

Installation

Description de l'équipement

Ce produit est conçu pour être utilisé comme groupe électrogène optionnel fournissant une source d'électricité alternative et pour desservir des charges comme le chauffage, les systèmes de réfrigération et les systèmes de communication qui, lorsqu'ils sont arrêtés durant une panne d'électricité, peuvent causer des inconforts ou autre. Ce produit ne se qualifie pas comme groupe électrogène d'urgence tel que défini par la NFPA 70 (NEC).

Responsabilités de l'Acheteur

- Vous devez lire et suivre les instructions indiquées dans le manuel d'utilisation, en particulier la section Sécurité et la section concernant la sélection des circuits essentiels.
- Établissez un programme d'entretien, de soins et d'utilisation régulier de votre groupe électrogène, tel qu'indiqué dans le manuel d'utilisation.

Responsabilités de l'Installateur

- Vous devez lire et respecter les règles de sécurité décrites dans le manuel d'utilisation.
- Vous trouverez à l'intérieur du carton une liste de commutateurs de transfert approuvés par l'UL et compatibles avec le groupe électrogène qui sont recommandés.
- Vous devez lire et suivre les instructions indiquées dans le présent guide d'installation.

IMPORTANT : Le système est muni d'un chauffe-eau qui s'active lorsque la température ambiante est inférieure à 80 °F (27 °C) ET lorsque l'électricité est branchée au commutateur de transfert.

Précautions Lors du Déballage

Avant son expédition, l'unité prête à installer a été placée sur une dalle de béton armé ou une base artificielle. Prenez soins d'éviter les dommages causés par une chute, un choc, une collision, etc. Entreposez et déballez la boîte dans le bon sens, tel qu'indiqué sur le carton d'expédition.

Vérification de la Livraison

Après avoir enlevé le carton, examinez avec soin les éléments de la génératrice pour tout dommage subi durant l'expédition.

IMPORTANT: Au moment de la livraison, si vous remarquez des dommages ou des pièces manquantes, demandez au livreur de noter tous les dommages sur la facture de fret et d'apposer sa signature dans l'espace réservé à cet effet. Après la livraison, si vous remarquez des pièces manquantes ou des dommages, mettez les pièces endommagées de côté et communiquez avec le transporteur pour connaître les procédures de réclamation. Les pièces manquantes ou endommagées ne sont pas garanties.

Contenu de la Boîte

Le Groupe électrogène est Livré avec les éléments Suivants:

- Génératrice résidentielle
- Système de refroidissement viabilisé
- Système de lubrification viabilisé
- Raccord de combustible flexible classé UL569/CSA8.3
- Guide d'installation et de démarrage
- Manuel d'utilisation
- Manuel d'utilisation du moteur
- Liste de vérification d'installation
- Deux clés pour la porte d'accès
- Un fusible de rechange de 15 A
- Connecteur de tableau de commande à 10 pôles
- Trousse du voyant DEL à distance (DEL rouge/plaque/vis)

Articles non fournis :

- Batterie de démarrage de 650 ADF (ET NON une batterie à décharge poussée)
- Fil et conduit de connexion
- Vannes/plomberie d'alimentation en combustible


Outils/équipements spécialisés nécessaires

- Deux tuyaux de 60 po de Calendrier 40 longueur et de 2 po de diamètre (PAS un conduit électrique)
- Sangle de levage, chaînes ou câbles
- Poinçons à trous pour acier d'épaisseur 7
- Tournevis à couple, plage de 5 à 50 pouces-livres
- Lampe de réglage de l'allumage
- Appareil de mesure de rapport air/combustible (Capteur O2 et Analyseur)

Emplacement du Génératrice d'état d'Attente


Avant d'appliquer les présentes directives générales, consultez le propriétaire et faites-lui part de toute considération technique qui pourrait influencer sur ses désirs.

Instalación

⚠ AVERTISSEMENT	
	La chaleur et les gaz d'échappement peuvent enflammer des matériaux combustibles et les structures ainsi que causer un incendie.
<ul style="list-style-type: none"> N'installez PAS la génératrice à moins de 1,5 m (5 pi) de tous matériaux combustibles ou structures comportant des murs combustibles dont le degré de résistance au feu est de moins d'une heure. 	

Dégagement Autour de la Génératrice

Placez la génératrice dans un endroit bien ventilé qui permet l'élimination des gaz d'échappement mortels. N'installez pas la génératrice dans un endroit où les gaz d'échappement pourraient s'accumuler et pénétrer ou être aspirés dans un édifice qui pourrait être occupé. Assurez-vous que les gaz d'échappement ne puissent entrer par une fenêtre, une porte, une prise d'aération ou une autre ouverture qui pourrait leur permettre de s'accumuler dans un espace restreint. Tenez aussi compte des vents dominants et des courants d'air au moment de choisir l'endroit où vous installerez la génératrice.

⚠ AVERTISSEMENT	
	Le moteur, lorsqu'il fonctionne, produit du monoxyde de carbone, un gaz toxique inodore et incolore.
	L'inhalation du monoxyde de carbone peut causer des maux de tête, de la fatigue, des étourdissements, le vomissement, de la confusion, des crises épileptiques, des nausées, l'évanouissement ou la mort.
<ul style="list-style-type: none"> Faites fonctionner le génératrice SEULEMENT à l'extérieur. Installez un avertisseur de monoxyde de carbone à piles près des chambres à coucher. Évitez que les gaz d'échappement entrent dans un espace restreint, par une fenêtre, une porte, une prise d'aération ou toute autre ouverture. 	

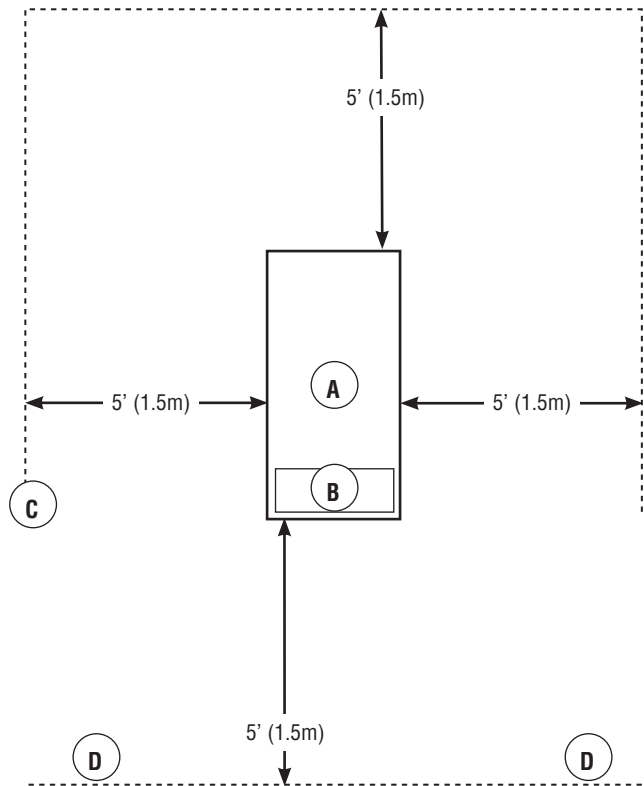
Directives Générales Concernant l'Emplacement

- Installez l'unité à l'extérieur SEULEMENT.
- Placez l'unité dans un endroit préparé à cet effet qui soit plat et muni d'un drain pour l'écoulement des eaux.
- Installer l'appareil dans un endroit où l'évacuation d'une pompe de puisard, l'écoulement des gouttières et du toit, l'irrigation d'aménagement paysagé ou un système de pulvérisation d'eau n'entraînera pas une inondation

de l'appareil, l'arrosage du boîtier ou l'entrée d'eau par l'admission d'air ou les ouvertures de sortie.

- Installez l'appareil dans un endroit où l'emplacement de tout service dont le téléphone, l'électricité, la climatisation, l'irrigation, incluant des services recouverts, enfermés et souterrains ne seront pas touchés ou obstrués.
- Installez l'unité là où les ouvertures pour l'entrée et la sortie d'air ne seront pas obstruées par les feuilles, le gazon, la neige, etc. Si des vents dominants causent des bourrasques ou des amoncellements, il faut construire un brise-vent pour protéger l'unité.
- Installez la génératrice aussi près que possible du système automatique de transfert d'énergie afin de réduire la longueur des fils et du conduit.

IMPORTANT: La loi ou les codes locaux peuvent réglementer la distance entre le génératrice d'état d'attente et la source d'alimentation en combustible.



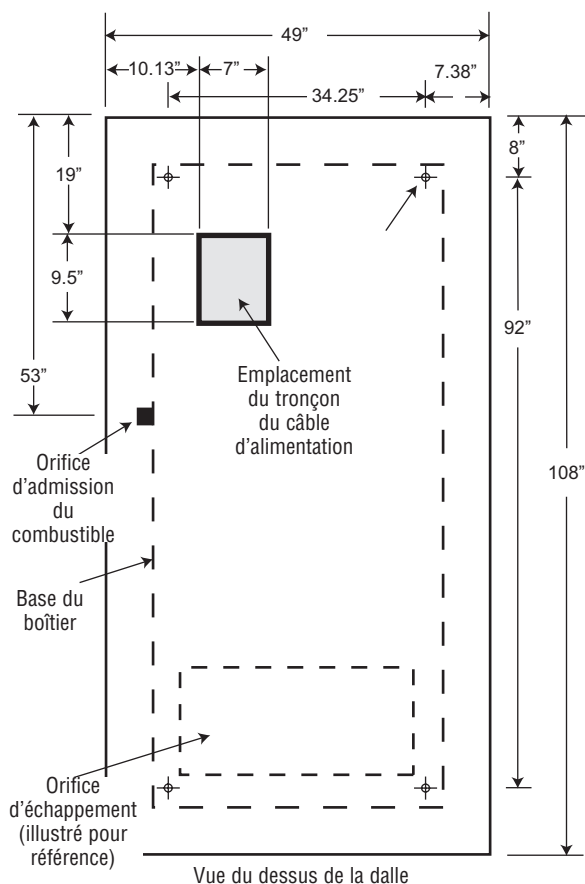
L'illustration suivante montre les dégagements Minimum à partir d'une vue aérienne de la génératrice (A) vers les matériaux combustibles (C,D).

- Ces distances sont données afin de procurer des directives reliées à l'emplacement de la génératrice relativement aux combustibles, au refroidissement de la génératrice et à l'entretien SEULEMENT.
- Les quatre côtés de la génératrice ne peuvent être dans un espace fermés ou limités, même si les distances minimum sont respectées. NE connectez PAS (C) à (D).

- Un toit ne peut être installé.
- Il ne faut pas que le gaz d'échappement (B) s'accumule. Consultez les *Règles de sécurité* au sujet du monoxyde de carbone.

Dalle de béton

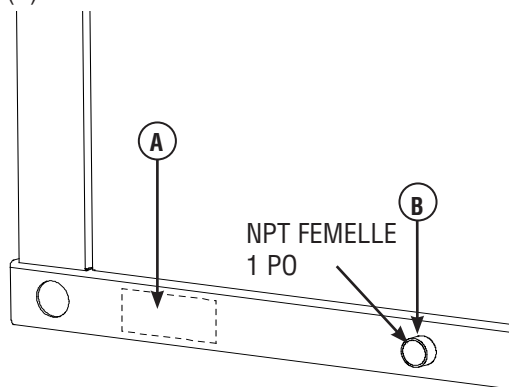
À l'endroit approprié, coulez une dalle de béton (résistance à la compression après 28 jours : 3 000 lb/po² (200 MPa)) d'au moins 5 pouces (12,5 cm) d'épaisseur sur une largeur de 6 pouces (15 cm) de plus tout autour du boîtier. Renforcez la dalle à l'aide de barres d'armature no 6 (sur foyers de 12 po) ou de treillis d'acier d'épaisseur 8 (foyers de 6 po). Évitez de disposer de l'armature dans la zone des tronçons d'entrée.



À l'aide de boulons d'ancrage de maçonnerie de 5/16 po (0,78 cm) de diamètre (au minimum) et suffisamment longs pour retenir l'unité, fixez l'unité à la dalle.

Emplacements de l'admission du combustible et de l'entrée électrique

Il est préférable d'utiliser un tronçon pour câbles d'alimentation traversant la dalle (voir ci-dessus). Si vous n'utilisez pas de tronçons, (A) indique l'emplacement recommandé pour les trous de poinçon pour la fixation des conduits d'alimentation. Le connecteur d'entrée de combustible (B) est illustré à des fins de référence.



Instalación

Soulèvement de la Génératrice

La génératrice pèse plus de 1 700 livres (773 kg). Il faut utiliser des outils et de l'équipement appropriés et recourir à un personnel qualifié pour chacune des phases de manipulation et de déplacement de la génératrice.

⚠ AVERTISSEMENT



Tension dangereuse

Tout contact avec les lignes d'électricité peut causer un choc électrique ou des brûlures.

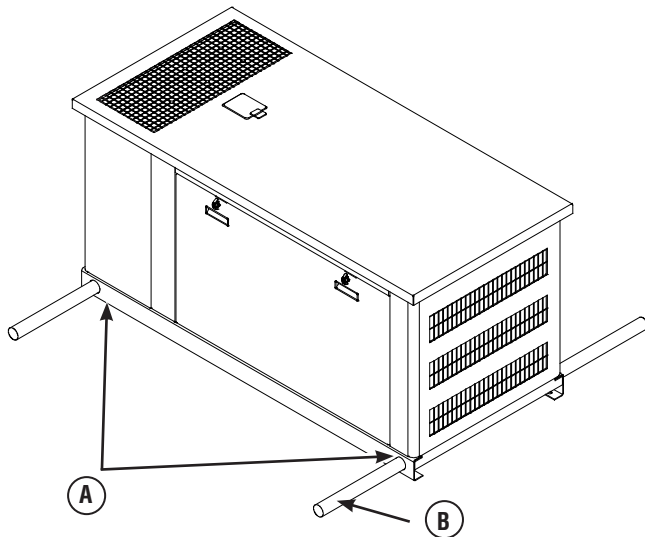
Risque de levage/Objet lourd

Peut entraîner un claquage musculaire ou des blessures au dos.

- Prenez garde de NE PAS toucher aux lignes d'électricité lorsque vous devez utiliser un appareil de levage.
- NE soulevez ni ne déplacez PAS la génératrice sans aide.
- Utilisez les tuyaux ou les courroies de levage comme décrit dans la section Levage de la génératrice. L'unité peut glisser lors du déplacement et ainsi causer des blessures.
- NE soulevez PAS l'unité par sa partie supérieure car cela endommagera la génératrice.

Pour placer la génératrice sur la dalle de béton, il faut deux Calendrier 40 tuyaux de 60 po (152 cm) de longueur et de 2 po (5 cm) de diamètre (B) fournis par l'installateur. Insérez les tuyaux à travers les trous de levage (A) situés près de la base de l'unité.

Instalación

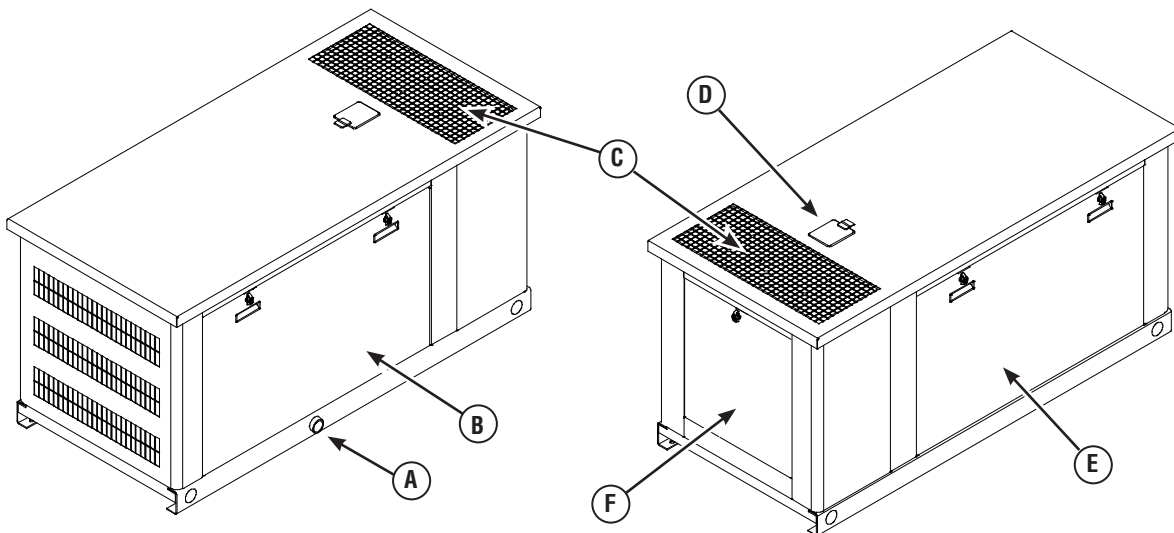


Utilisez une barre d'écartement pour vous assurer que les chaînes, les courroies ou les câbles NE touchent PAS au toit de la génératrice.

Portes d'Accès

Le groupe électrogène est muni d'un boîtier possédant trois portes d'accès, tel qu'a montré ci-dessus. Chaque porte est identifiée par un élément important qui se trouve derrière celle-ci, comme suit :

- A Orifice d'admission de combustible (illustré pour référence)
- B Porte d'accès au tableau de commande
- C Orifice d'échappement
- D Porte de remplissage d'huile
- E Porte de batterie
- F Porte d'échappement (illustré pour référence)



⚠ AVERTISSEMENT



Tout contact avec la zone du silencieux peut causer des brûlures graves.

- NE touchez PAS aux pièces chaudes et évitez le contact avec les gaz d'échappement.
- Laissez l'équipement refroidir avant de le toucher.

Lorsque l'unité est en marche, il faut que les portes de remplissage du liquide de refroidissement ainsi que les portes d'accès à la batterie et au tableau de commande soient installées.

Chaque génératrice résidentielle est munie de deux clés identiques. Ces clés s'adaptent aux serrures qui verrouillent les portes d'accès.




Pour ouvrir une porte d'accès :

1. Insérez une des clés dans la serrure de la poignée de la porte d'accès que vous souhaitez ouvrir et tournez la clé d'un quart de tour dans le sens antihoraire. Retirez la clé. La poignée demeure déverrouillée jusqu'à ce que vous la verrouilliez à nouveau.
2. Saisissez la poignée de la porte et tournez-la d'un quart de tour dans le sens antihoraire pour l'ouvrir.
3. La porte de remplissage de liquide de refroidissement se déverrouille de la même façon. Elle peut être utilisée pour l'ajout de liquide de refroidissement ou d'huile.

Pour fermer une porte d'accès :

1. Fermez la porte et tournez la poignée de la porte d'un quart de tour dans le sens horaire.
2. Insérez une des clés dans la serrure de la porte d'accès et tournez la clé d'un quart de tour dans le sens horaire. Retirez la clé.

Le système de combustible gazeux

 AVERTISSEMENT	
	Le gaz propane et le gaz naturel sont extrêmement inflammables et explosifs.
	Le feu ou l'explosion risque de provoquer des blessures graves, pouvant être fatales.
<ul style="list-style-type: none">• Le gaz de pétrole liquéfié est plus lourd que l'air et s'accumule près du sol.• Le gaz naturel est plus léger que l'air et s'accumule en hauteur.• Même la plus petite étincelle peut enflammer ces combustibles et causer une explosion.• N'allumez PAS de cigarette ou ne fumez pas à proximité de l'appareil.	

Les renseignements ci-dessous aideront les techniciens en systèmes de combustible gazeux à concevoir les installations. Ces renseignements ne doivent en aucun cas être interprétés de façon à aller à l'encontre des codes applicables aux combustibles gazeux. Si vous avez des questions ou des problèmes, consultez votre fournisseur de combustible local ou votre chef des pompiers.

À L'INSTALLATEUR: Avant d'appliquer ces consignes générales, consultez le propriétaire du groupe électrogène et soulevez toute considération technique qui pourrait influencer sur ses plans d'installation.

Les règles générales suivantes s'appliquent à la tuyauterie utilisée dans les systèmes de combustible gazeux.

- La tuyauterie doit être fabriquée d'un matériau conforme aux codes de sécurité fédéraux et locaux; elle doit être fixée solidement et protégée contre les vibrations.
- La tuyauterie doit être protégée contre les dommages physiques aux endroits où elle traverse les massifs de fleurs, les massifs d'arbustes ainsi que les autres surfaces cultivées susceptibles de subir des dommages.
- Installez les tuyaux flexibles pour combustibles (fournis) entre l'orifice d'admission de combustible du groupe électrogène résidentiel et la tuyauterie rigide afin d'empêcher l'expansion thermique ou la contraction de causer une contrainte excessive aux matériaux de la tuyauterie.

REMARQUE : Lorsque les conditions locales impliquent des tremblements de terre, des tornades, un sol instable ou des risques d'inondation, des considérations spéciales doivent être apportées afin d'augmenter la force et la flexibilité des supports et des raccordements de la tuyauterie.

ATTENTION

Le connecteur ne doit pas être installé sous terre ou être en contact avec la sol.

- Il faut que toute la longueur du connecteur flexible soit visible pour l'inspection régulière et celui-ci ne doit être enfermé, être en contact ou traverser un mur, un plancher ou une cloison.
- La tuyauterie doit être de la bonne dimension afin de maintenir les pressions d'alimentation ainsi que le débit volumétrique nécessaires sous les diverses conditions de la génératrice alors que tous les appareils au gaz sont reliés au système d'alimentation et en fonctionnement.
- Afin de réduire la possibilité de fuites, utilisez un scellant ou un composé pour joints de tuyauterie approuvé pour GN/GPL sur tous les raccords à visser.
- Conformément aux codes et aux normes applicables, la tuyauterie installée doit être adéquatement purgée et testée pour son étanchéité.

Instalación

AVERTISSEMENT



Le gaz propane et le gaz naturel sont extrêmement inflammables et explosifs.



Le feu ou l'explosion risque de provoquer des blessures graves, pouvant être fatales.

- Avant de mettre en service le groupe électrogène, il faut purger adéquatement les lignes d'alimentation de combustible et les tester pour les fuites.
- Aucune fuite ne peut être tolérée.

Tenez compte des facteurs suivants lorsque vous planifiez l'installation du système d'alimentation en combustible:

- Au moins un robinet de fermeture manuelle approuvé doit être installé sur la ligne d'alimentation en combustible à l'intérieur de 1,8 m (6 pi) du groupe électrogène résidentiel. Un raccord union ou un raccord à brides doit être installé en aval de sorte à permettre le retrait des commandes.
- La pression de ravitaillement en pétrole liquéfié devrait se situer entre 7 et 11 pouces d'eau (po W.C.) à pleine capacité avec tous les appareils au gaz sous tension et en fonction.
- La pression de ravitaillement en gaz naturel à l'orifice d'alimentation de combustible de la génératrice devrait se situer entre 7 et 11 pouces d'eau (po W.C.) à pleine capacité avec tous les appareils au gaz sous tension et en fonction.

Le groupe électrogène a été réglé en usine pour fonctionner au gaz naturel. L'unité peut être convertie du gaz naturel au gaz PL, ou vice versa, par deux personnes et à l'aide d'outils spéciaux. Consultez la section *Conversion de combustible*, plus loin dans ce manuel.

Français

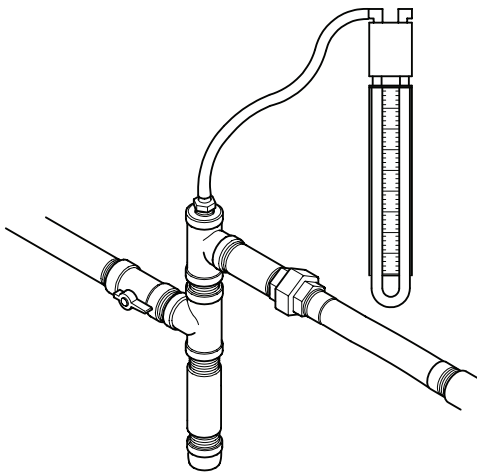
fr

11

Il est recommandé que le raccord du combustible inclue les pièces suivantes :

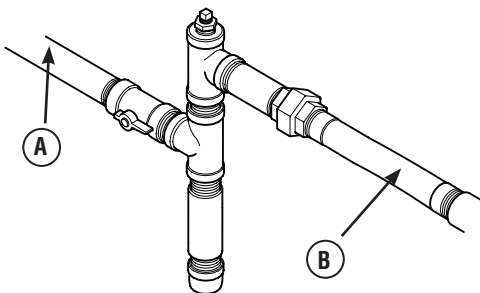
- Une section de tuyau de gaz d'au moins 10 pi (3 m) entre le régulateur de combustible principal et le raccord d'entrée de combustible (sert d'accumulateur pour les charges élevées).
- Un robinet de fermeture manuelle du carburant situé à l'intérieur de l'édifice.
- Un robinet de fermeture manuelle du combustible situé à l'extérieur de l'édifice, juste avant la génératrice.
- La tuyauterie doit être protégée contre le gel dans les régions propices à la formation d'hydrates ou de glace. La terminaison de la tuyauterie rigide devrait inclure une trappe à sédiments dans les régions où le condensat ne gèle habituellement pas.
- Il faudrait inclure une sortie pour manomètre.

La sortie pour manomètre permet l'installation temporaire d'un manomètre. Afin de s'assurer que le moteur reçoit la pression de carburant adéquate pour fonctionner efficacement dans l'ensemble de sa plage de fonctionnement.



REMARQUE: Un manomètre numérique, no de pièce 19495, est disponible à votre centre de service local.

Lorsque la série initiale d'essais est complétée, le manomètre est enlevé et la sortie bouchée. Voici un assemblage typique de raccord de combustible, où (A) représente l'alimentation de combustible et (B) va vers le groupe électrogène.



Grosueur du Tuyau de Combustible

Il existe de nombreux documents, publiés en ligne ou autrement, sur la grosseur du tuyau de combustible. L'installateur doit tenir compte de la gravité spécifique du gaz et compenser pour une quantité nominale de restrictions causées par les lyres de dilatation, les joints, etc. Si la tuyauterie comporte une quantité anormalement élevée de joints, de lyres de dilatation ou d'autres restrictions, reportez-vous aux codes fédéraux et locaux.

Consommation de Combustible

Les exigences en matière d'alimentation en combustible à demi charge et à pleine charge pour le gaz naturel et la vapeur de PL sont indiquées ci-dessous.

	Gas Naturel		Vapeur PL	
	1/2 Charge	Pleine charge	1/2 Charge	Pleine charge
45kW	483 C	777 C	178 C	297 C
	483,000 B	777,000 B	445,000 B	742,000 B

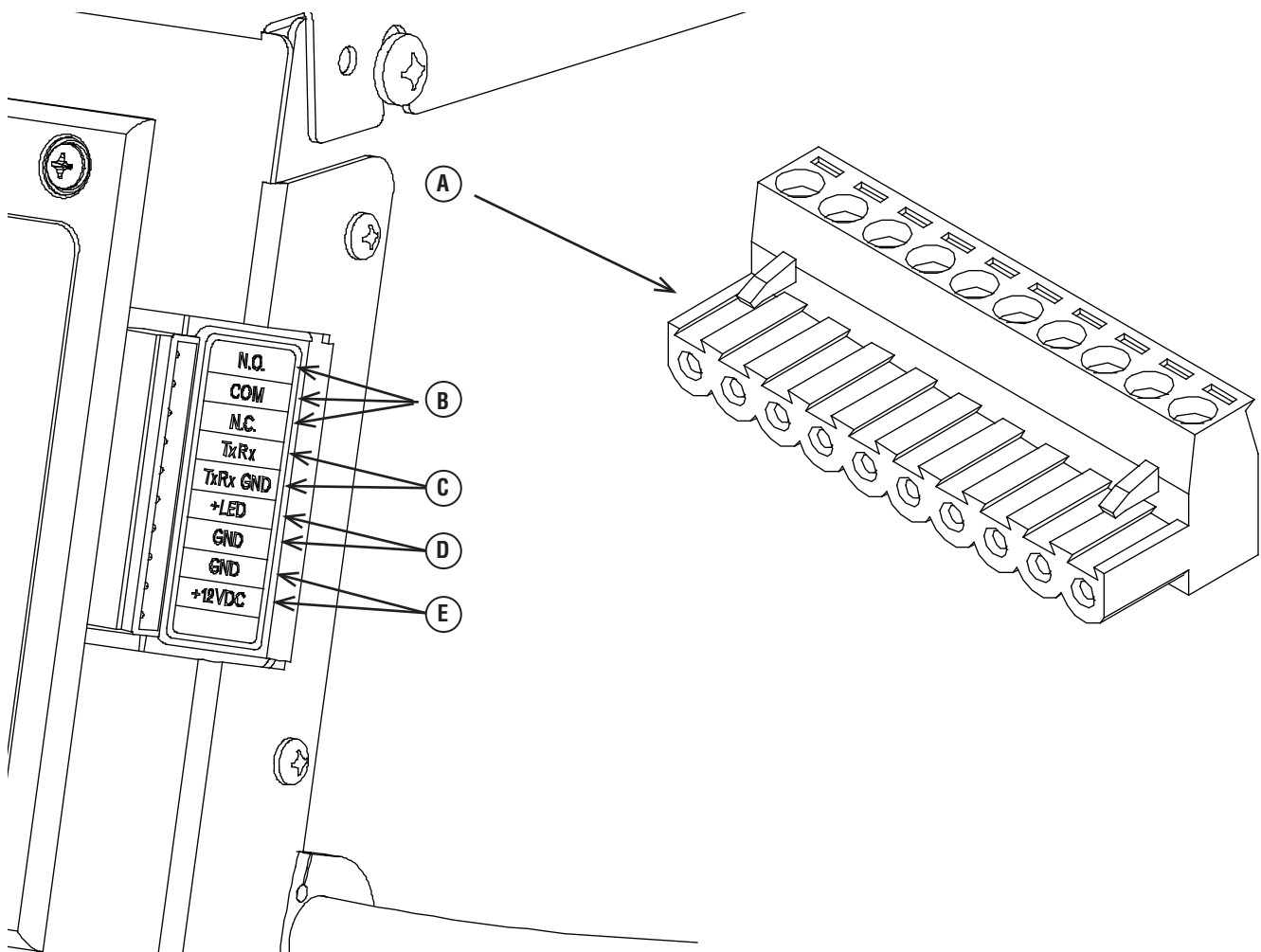
C = en pieds cubes par heure (PCH)
B = BTU par heure

Propriétés physiques	Propane	Gas naturel
État atmosphérique normal	Gas	Gas
Point d'ébullition (en °F):		
Initial	-44	-259
Final	-44	-259
Valeur calorifique :		
Btu par gallon (LHV net*)	83,340	63,310
Btu par gallon (Brut**)	91,547	
Pieds cubes (Gaz)	2,500	1,000
Densité***	36.39	57.75
Poids†	4.24	2.65
Octane Number:		
Recherche	110+	110+
Moteur	97	

* PCI (Pouvoir calorifique inférieur) est la valeur nominale la plus réaliste.
** Le pouvoir calorifique supérieur ne tient pas compte de la perte de chaleur sous forme d'eau lors de la combustion.
*** La densité est indiquée en "Pieds cubes de gaz par gallon de liquide".
† Le poids est indiqué en "Livres par gallon de liquide".

Connexions de système

Les connexions BT aux contacts de défaillance de signal, la communication du commutateur de transfert, la DEL à distance et l'alimentation auxiliaire de 12 VCC sont établies par la fiche de connexion à dix broches amovible. Comparez cette illustration à votre génératrice afin de vous familiariser avec l'emplacement des connexions importantes suivantes :



A - Branchement de la prise à deux pôles :

B - Contacts de défaillance — Utilisez les bornes NO, COM et NC pour le fonctionnement d'une sirène, un voyant, le GenAlert optionnel, etc., pour vous alerter en cas de défaillance. Les contacts changent d'état lors d'une condition de défaillance.

C - Communication du commutateur de transfert — Branchez-les au tableau de commande du commutateur de transfert pour l'interface de communication.

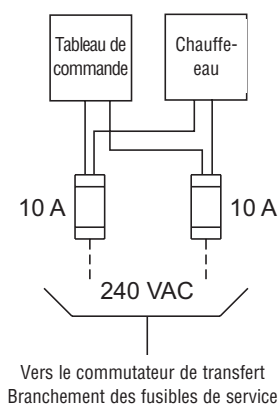
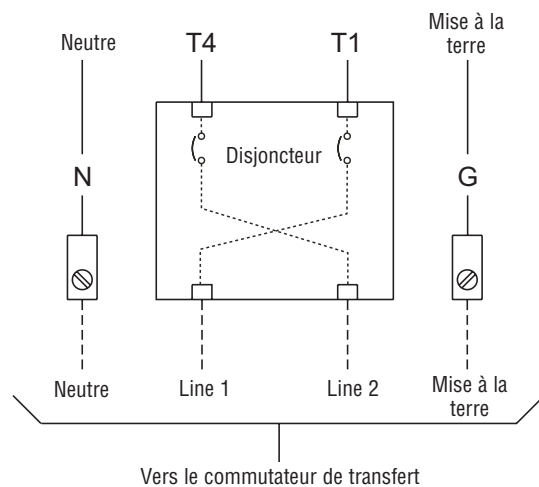
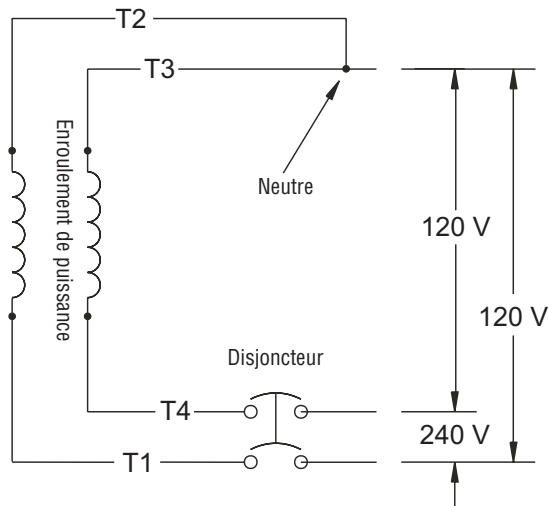
D - Sortie de panneau DEL à distance — Utilisé pour connecter la DEL à distance fournie avec la génératrice. Si certains problèmes sont détectés dans la génératrice, le panneau DEL à distance clignotera un certain nombre de fois.

E - Prise de +12 volts C.C., 5 ampères — Alimentation auxiliaire interne.

Système de Branchement C.A. de la Génératrice

Un système de branchement C.A. monophasé à trois fils est utilisé pour le groupe électrogène. L'assemblage du stator est constitué d'une paire de bobines stationnaires à deux bornes sortant de chaque bobine. La jonction des fils T2 et T3 forme le fil neutre, tel qu'illustré au moyen du dessin et du schéma de câblage suivant. Vous trouverez un dessin et un schéma de câblage dans le manuel.

REMARQUE: Le neutre n'est pas raccordé à la terre au niveau de la génératrice.



Mise à la Masse de la Génératrice

La génératrice résidentielle doit être mise à la terre en conformité avec tous les codes, normes et réglementations applicables. Il y a deux emplacements de languette de contact de mise à la masse (GND) de la génératrice. La languette principale est située à l'intérieur de la boîte de jonction de l'alternateur à côté du disjoncteur et devrait satisfaire à la plupart des applications. La deuxième languette de contact de mise à la masse (GND) de la génératrice est située sur le châssis sous le couvercle des disjoncteurs de la génératrice et NE devrait être utilisée QUE pour une tige de mise à la terre installée sur la génératrice, si requis par les codes locaux. Voir *Commandes* au sujet de l'emplacement.

Interconnexions du Circuit de Commande

Les fils d'alimentation de 240 V doivent être acheminés par le conduit. Les fils d'alimentation de 240 V acheminent l'électricité de service vers la carte de circuit imprimé et le chauffe-eau de la génératrice. Cette électricité charge également la batterie. En cas de panne, la génératrice se mettra en marche.

À l'aide d'un fil de cuivre d'au moins 300 V, de calibre 14 AWG, fourni par l'installateur, raccordez chaque borne à fusibles 10 A de la boîte de jonction aux bornes à fusibles 10 A correspondantes du commutateur de transfert automatique.

Système de Détection des Pannes

Le tableau de commande de la génératrice est doté d'un affichage numérique pour indiquer les codes de défaillance. Il affiche un code de défaillance lorsque certaines défaillances sont décelées dans le groupe électrogène. Une autre DEL et une plaque de montage sont fournies pour leur installation à l'intérieur dans un endroit pratique. Pour obtenir des renseignements plus détaillés, consultez la section *Système de détection des pannes* du Manuel d'utilisation.

Si certains problèmes sont détectés dans le groupe électrogène, le voyant clignotera un certain nombre de fois. Elles permettent au propriétaire d'observer l'état du groupe électrogène. Consultez le propriétaire pour convenir d'un endroit pratique. Placez la boîte électrique dans un endroit visible par le propriétaire tel que près d'un ouvre-porte de garage ou d'un panneau de commande de sécurité.

Pour installer le panneau DEL à distance du groupe électrogène :

1. Poussez la DEL à travers la plaque de montage par l'avant jusqu'à ce qu'elle se fixe d'un coup sec.

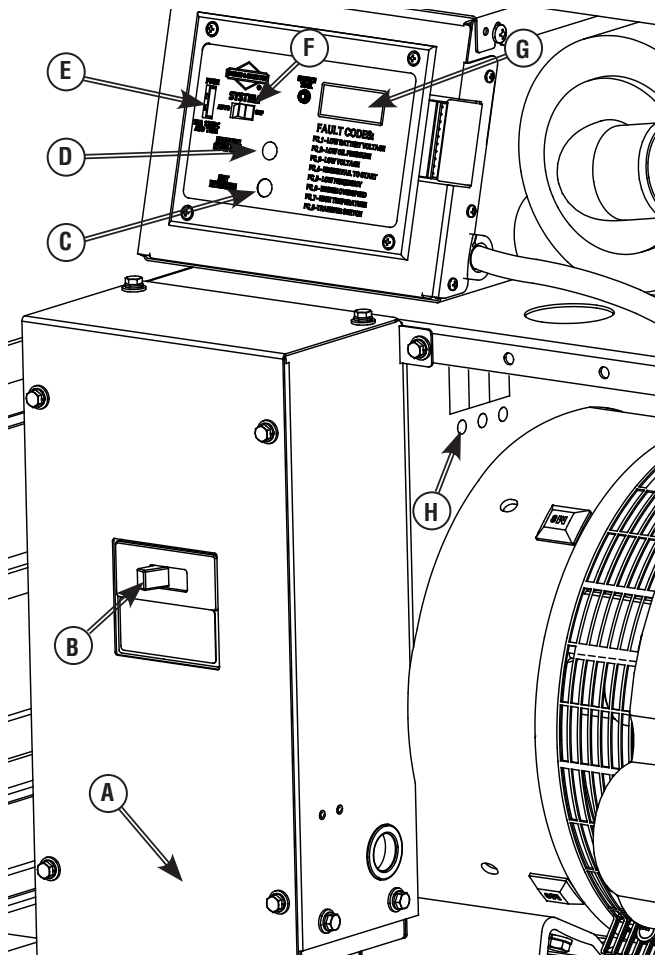
IMPORTANT: Le voyant DEL est sensible à la polarité.

2. À l'aide du connecteur à 10 pôles fourni et d'un fil de calibre minimal de 18 AWG fourni par l'installateur, branchez la DEL à distance aux connecteurs +LED et GND du tableau de commande de la génératrice. Utilisez des serre-fils pour raccorder le fil aux conducteurs de la DEL.
3. Fixez la plaque de montage au coffret électrique à faible tension fourni par l'installateur.

Tableau de Commande du Système

Le tableau de commande du groupe électrogène, situé à l'intérieur du bâti de la génératrice, est illustré ci-dessous.

Voici une brève description des commandes utilisées durant l'installation :



- A Panneau amovible — Muni d'un panneau inférieur amovible facilitant le raccordement de conduits.
- B Disjoncteur — Doit être à ON pour alimenter le commutateur de transfert.
- C Régler l'interrupteur d'exercice — Utilisé pour régler la durée du cycle d'exercice.
- D Interrupteur de surpassement manuel — Sert à démarrer et à arrêter la génératrice manuellement.
- E Fusible de 15 ampères — Protège les circuits de commande C.C.
- F Interrupteur du système — Bascule entre les modes **OFF** et **AUTO**.
- G Écran numérique — Affiche le temps de fonctionnement en heures et les codes de défaillance.
- H Régulateur de tension — Utilisé pour ajuster la tension de sortie de la génératrice.

De plus amples renseignements sont disponibles sous la section *Commandes* du Manuel d'utilisation.

Interrupteur de système

L'interrupteur de système constitue la commande la plus importante de la génératrice. Dans le présent document, ce dispositif à deux positions et s'utilise comme suit:

- La position normale de fonctionnement est la position "**AUTO**". Si une panne d'électricité est détectée, le système démarrera la génératrice. Lorsque l'électricité est rétablie, laissez le moteur stabiliser les températures internes, fermez la génératrice et attendez la prochaine panne d'électricité.
- La position "**OFF**" ferme la génératrice quand elle fonctionne, ce qui empêche l'unité de démarrer et de remettre à zéro toute détection de panne.

Fusible de 15 Ampères

Protège les circuits de commande C.C. de la génératrice résidentielle. Si le fusible est grillé (fondu et ouvert) ou a été enlevé, le moteur ne peut être lancé ou démarrer. Remplacez le fusible grillé uniquement par un fusible ATO? de 15 A. Un fusible de rechange est fourni avec l'unité. Si le fusible est grillé ou a été enlevé, vous devrez réinitialiser la minuterie d'exercice (voir Réglage de la minuterie d'exercice).

Considérations pour l'installation finale

Huile à Moteur

AVIS

Toute tentative de démarrer le moteur avant qu'il ait été rempli avec l'huile et le liquide de refroidissement recommandés entraînera une panne de l'équipement.

- Consultez la section *Entretien* des manuels d'utilisation et du moteur au sujet du remplissage du liquide de refroidissement et de l'huile.
- La garantie sera annulée si des dommages à l'équipement sont entraînés par le manquement à se conformer à cette directive.

Ce moteur a été testé en usine et est livré rempli d'huile non synthétique (API SL 10W-30W). Cela permet au système de fonctionner dans une plage élargie de températures et de conditions climatiques. Avant de démarrer le moteur, vérifiez le niveau d'huile et assurez-vous que le moteur a subi l'entretien décrit dans le Manuel d'utilisation du moteur.

Système de refroidissement

Ce moteur a été testé en usine et est livré rempli d'un mélange équilibré (50-50) d'antigel automobile (Dex-Cool™ orange) et d'eau. Cela procure, durant toute l'année, une protection optimale contre le gel, l'ébullition et la corrosion. Le système de refroidissement comprend un chauffe-eau qui fonctionne lorsque la température ambiante est inférieure à 80 °F (27 °C) ET lorsque l'électricité est branchée au commutateur de transfert. Avant de démarrer le moteur, vérifiez le niveau de liquide de refroidissement comme décrit dans le Manuel d'utilisation du moteur.

Batterie

L'installateur doit fournir une batterie de démarrage rechargeable scellée de 12 volts C.C., de 650 ampères de démarrage à froid (ADF) et de 55 ampères-heures. Il se peut que la batterie ne soit pas complètement chargée à l'installation. Si la tension de la batterie est inférieure à 12 volts, rechargez celle-ci. Consultez la rubrique Batterie de la section Entretien pour de plus amples détails.

REMARQUE : N'utilisez PAS de batterie à décharge poussée.

Système d'Alimentation en Combustible

Assurez-vous que tous les raccords du tuyau de combustible sont fermement serrés et fixés et qu'il n'y a pas de fuite.

Assurez-vous que tous les robinets de fermeture de la canalisation de gaz sont en position "OPEN" et qu'une pression de combustible adéquate est disponible.

Démarrage initial (sans charge)

Avant d'utiliser ou de mettre en service le groupe électrogène, vérifiez avec soins l'ensemble de l'installation.

Commencez ensuite des essais du système sans aucun branchement de charges électriques, tel qu'indiqué ci-dessous:

REMARQUE : L'unité a été réglée en usine pour fonctionner au gaz naturel. La conversion de combustible, si elle est nécessaire, doit être effectuée avant de procéder à ces étapes.

1. Réglez le disjoncteur principal de la génératrice en position **ON** (fermé).
2. Confirmez qu'un fusible de 15 A est installé dans le tableau de commande.
3. Réglez l'interrupteur de système de la génératrice sur **AUTO**.
4. Poussez de nouveau sur l'interrupteur de surpassement manuel sur le tableau de commande (**MANUAL OVER-RIDE**). Le moteur devrait s'arrêter.

REMARQUE: Pour le démarrage initial du groupe électrogène, il faut purger l'air contenu dans les canalisations de combustible. Cela peut nécessiter quelques minutes.

5. NE démarrez PAS le moteur pendant plus de 15 secondes; prenez une pause de 15 secondes pour réduire la chaleur dans le démarreur.
6. Recommencez le processus jusqu'à ce que le moteur démarre.

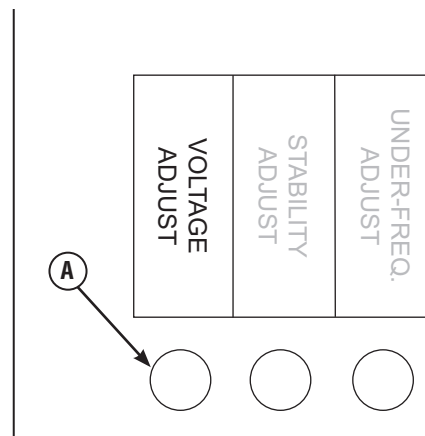
7. Écoutez s'il y a des bruits ou vibrations inhabituels et soyez attentif à tout signe de fonctionnement anormal. Vérifiez s'il y a des fuites d'huile ou de liquide de refroidissement pendant que le moteur fonctionne.
8. Laisser le moteur se réchauffer durant cinq minutes environ afin de permettre à sa température interne de se stabiliser.
9. Branchez un voltmètre C.A. précis et un fréquencemètre pour vérifier la tension de sortie de la génératrice sur les languettes de contact emergency/generator connection du commutateur de transfert. La tension devrait être de 239 à 244 volts, et la fréquence devrait être de 59,8 à 60,2 Hz.

REMARQUE : Si la tension de C.A. est à l'extérieur de ces plages, procédez au réglage de la génératrice (étapes 13 et 14 ci-dessous).

10. Vérifiez la tension de sortie de la génératrice entre une des languettes de contact generator connection et la languette de contact neutre, puis entre l'autre languette de contact de la generator connection et la languette de contact neutre. Dans les deux cas, la lecture de la tension de sortie devrait se situer entre 117 et 123 volts.
11. Poussez et tenir l'interrupteur de surpassement manuel sur le tableau de commande (**MANUAL OVER-RIDE**) jusqu' aux arrêts de moteur.

IMPORTANT: NE PAS procéder avant d'être certain que la tension C.A. et la fréquence de la génératrice sont conformes et se trouvent dans les limites stipulées.

12. Si les valeurs de tension et de fréquence sont exactes, passez à l'étape 15.
13. Branchez le voltmètre comme décrit à l'étape 9 ci-dessus.
14. Tout en observant le voltmètre, réglez la tension de l'alternateur (**A**) à 240 volts. NE réglez AUCUNE autre commande de l'alternateur.



15. Installez le couvercle du boîtier de disjoncteur de l'alternateur.
16. Fermez toutes les portes d'accès au boîtier.

Conversion du combustible

L'unité est livrée de l'usine calibrée pour fonctionner avec le gaz naturel. Pour convertir le moteur pour un fonctionnement du gaz naturel à la vapeur de pétrole liquéfié, vous pouvez téléphoner au Service à la clientèle au **(800) 743-4115**.

Commandes

Toutes les commandes du système de génératrice sont décrites en détail dans le manuel de l'utilisateur. Veuillez vous y référer pour obtenir de l'information plus complète.

Fonctionnement

Séquence de fonctionnement automatique

Le panneau électrique de la génératrice contient une carte de circuit logique de commande. Ce tableau de commande contrôle constamment la tension de l'électricité de service. Si cette tension baisse sous un niveau prédéfini, le tableau de commande signalera le lancement et le démarrage du moteur.

Lorsque la tension de service est rétablie au-delà d'un niveau de tension préétabli, le moteur reçoit un signal d'arrêt.

Le fonctionnement actuel du système ne peut être modifié, et il est séquencé par des capteurs et des minuteries du tableau de commande de la manière suivante:

Capteur de Désexcitation de la Tension de l'Alimentation de Service

- Ce capteur contrôle la tension de l'alimentation de service.
- Si la tension baisse sous 70% de la tension d'alimentation nominale, le capteur amorce un décompte de 10 secondes. Le décompte sert à identifier les pannes de courant localisées.
- Lorsque le décompte est expiré, le moteur est lancé et démarre.

Capteur de Prise en Charge de la Tension de Service

Ce capteur supervise la tension d'alimentation de service. Lorsque cette tension est rétablie à 80 pour cent de la tension nominale source, un délai est déclenché et le moteur entrera en mode refroidissement du moteur.

Minuterie de Refroidissement du Moteur

- Lorsque la charge est transférée à nouveau à la source d'alimentation de service, la minuterie de refroidissement du moteur s'active.
- Environ une minute s'écoule avant l'arrêt de la génératrice.
- Le moteur tourne durant au moins 5 minutes.

Réglage de la minuterie de cycle d'exercice

Le groupe électrogène est muni d'une minuterie de cycle d'exercice qui se met en marche et vérifie le système sur une base hebdomadaire. Au cours de ce cycle d'exercice, l'unité fonctionne durant une douzaine de minutes, puis s'arrête. Le transfert de charge électrique N'A PAS lieu durant le cycle d'exercice (sauf si une panne de courant survient).

Un bouton du tableau de commande est étiqueté « Set Exercice » (voir *Tableau de commande du système*). Le jour et l'heure particuliers auxquels ce bouton est pressé sont programmés dans la mémoire du tableau de commande. Ce jour et cette heure sont alors utilisés pour initialiser automatiquement le cycle d'exercice du système. La légende « SET EXERCISE » du tableau de commande clignote jusqu'à ce que le cycle d'exercice soit réglé.

Pour exécuter la procédure de réglage de cycle d'exercice:

1. Choisissez le jour et l'heure à laquelle vous désirez que le cycle d'exercice du groupe électrogène ait lieu.
2. À cette journée et heure, appuyez et maintenez enfoncé l'interrupteur « Set Exercice » pendant trois secondes.

REMARQUE : La DEL clignote jusqu'à ce que l'interrupteur soit maintenu enfoncé pendant trois secondes, puis la DEL s'allume pendant 5 secondes et s'éteint.

3. L'unité s'amorcera puis entreprendra son cycle d'exercice de 20 minutes.

Par exemple, si vous appuyez sur le bouton de réglage du cycle d'exercice le dimanche à 10 h, l'unité exécutera immédiatement un cycle d'exercice puis fera de même tous les dimanches à 10 h (+/- ½ heure).

REMARQUE: Le réglage du cycle d'exercice ne fonctionnera que si l'unité est en mode AUTO et que si la procédure exacte est suivie. Vous devrez reprogrammer le cycle d'exercice si vous enlevez ou remplacez le fusible de 15 A ou si la batterie de 12 volts C.C. est débranchée.

Si vous voulez changer le jour et l'heure du cycle d'exercice, vous n'avez qu'à exécuter à nouveau la procédure de "Réglage de Cycle d'Exercice" selon le jour et l'heure exacte à laquelle vous voulez que le cycle d'exercice ait lieu.

Vérification installation

Tout en procédant à la vérification, remplissez la liste de contrôle de l'installation. Assurez-vous que tous les éléments sont cochés et que toutes les signatures ont été obtenues. Postez la copie blanche (ainsi que la déclaration relative aux émissions, si vous l'avez remplie) à l'adresse :

Briggs & Stratton Power Products

Warranty Registration

P. O. Box 239

Jefferson, Wisconsin 53549-0239

Vous trouverez des informations plus détaillées sur l'utilisation, l'entretien et le dépannage de la génératrice dans le Manuel d'utilisation.



Free Manuals Download Website

<http://myh66.com>

<http://usermanuals.us>

<http://www.somanuals.com>

<http://www.4manuals.cc>

<http://www.manual-lib.com>

<http://www.404manual.com>

<http://www.luxmanual.com>

<http://aubethermostatmanual.com>

Golf course search by state

<http://golfingnear.com>

Email search by domain

<http://emailbydomain.com>

Auto manuals search

<http://auto.somanuals.com>

TV manuals search

<http://tv.somanuals.com>