

404400 to 404499

Illustrated Parts List

Model Series

404400 to 404499

TYPE NUMBERS
0100 through 0104
0110 through 0118

TO FIND

THE CORRECT NUMBER OF THE PART YOU NEED:

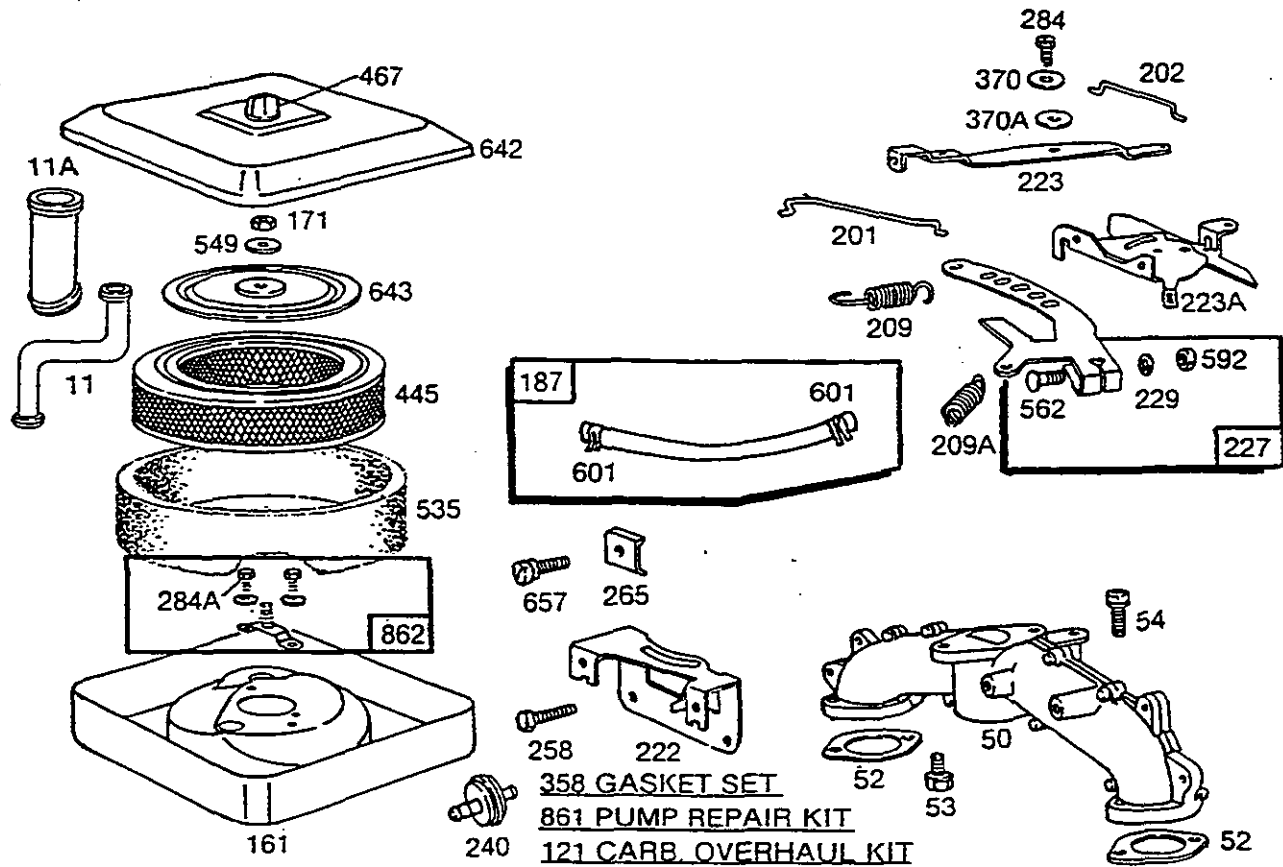
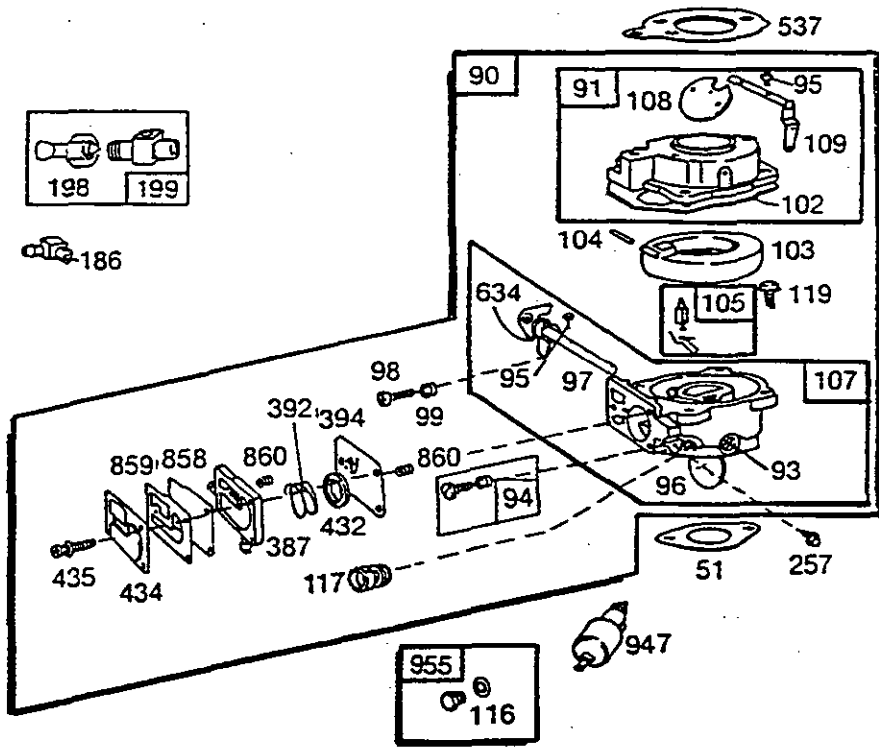
FOLLOW THE INSTRUCTIONS BELOW

- A. Refer to Engine Model, Type and Code Number that is stamped on the blower housing of engine. Engine type numbers such as 012301 are listed herein only as 0123. The two digits (01 or 02, etc.) to the right of the space are not needed for parts identification. Then use the Illustrated Parts List covering the Model Series.
- B. Refer to Illustrated Parts section and compare the old part with illustration. The number on the illustration is the Reference Number. Assemblies include all parts shown in frames. All parts shown in assembly frames on which individual reference numbers are given can be purchased separately.
- C. After the Reference Number has been identified, refer to the Numerical Parts List, where Reference and Master Part Number are listed. **THE MASTER PART IS USED ON ALL TYPE NUMBERS EXCEPT THOSE TYPE NUMBERS UNDER "NOTE"**.
- D. If a "Note" appears below the Master Part Number, this means that this part differs from the Master Part for certain types. If the Type number is listed under "Note", order the part referred to.
- E. If the Engine Type Number does not appear after any part number listed under "Note", use the Master Part Number.
- F. For Type Numbers higher than those covered by this book, please refer to the factory if you are unable to identify the part by comparison.

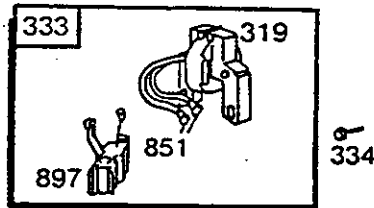
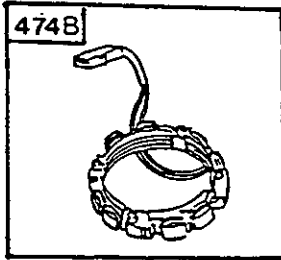
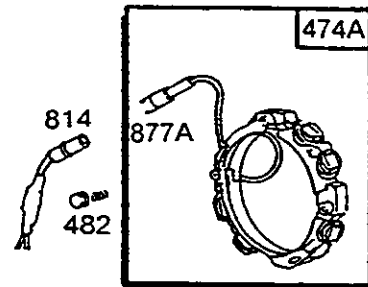
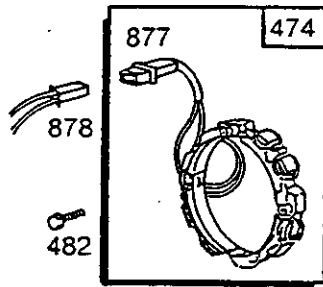
PRINTED IN U.S.A.



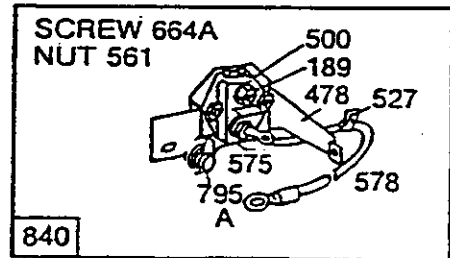
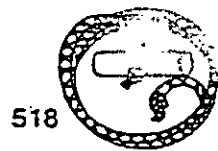
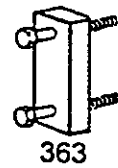
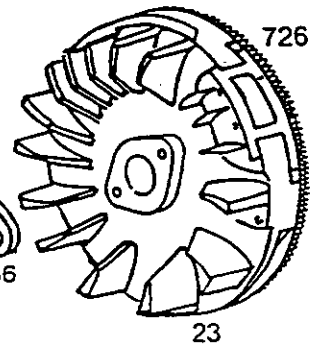
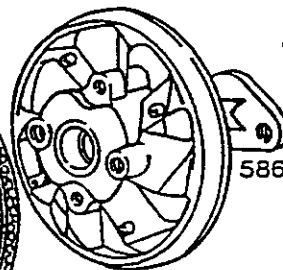
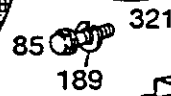
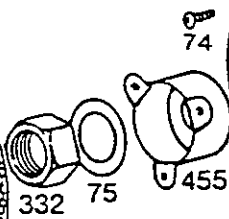
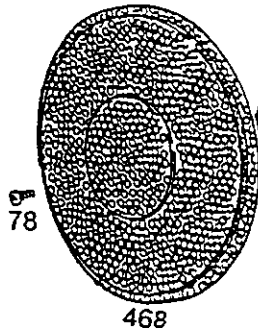
COPYRIGHT ©

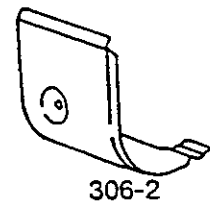
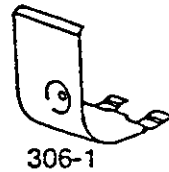
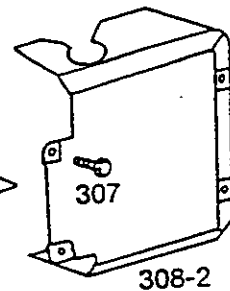
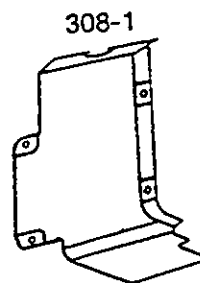
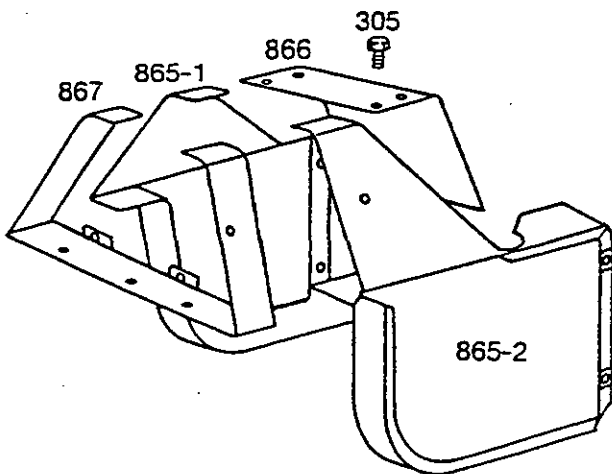
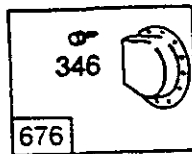
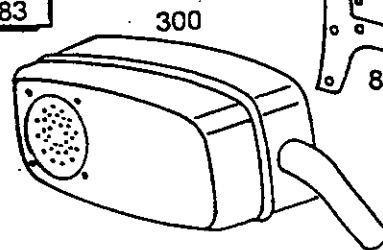
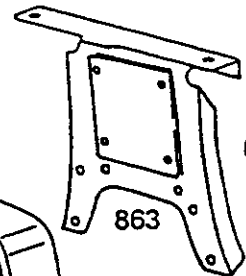
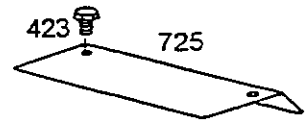
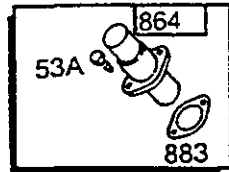
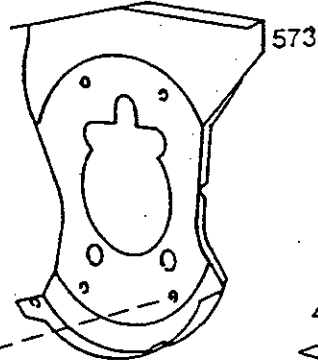
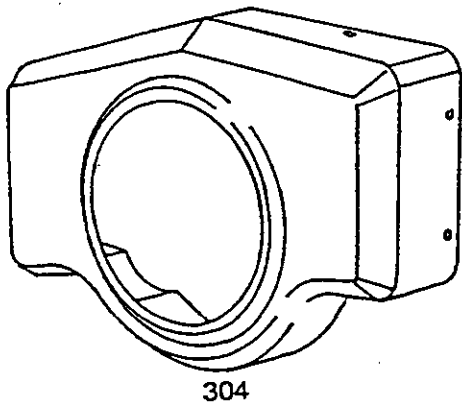
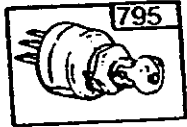


404400 to 404499

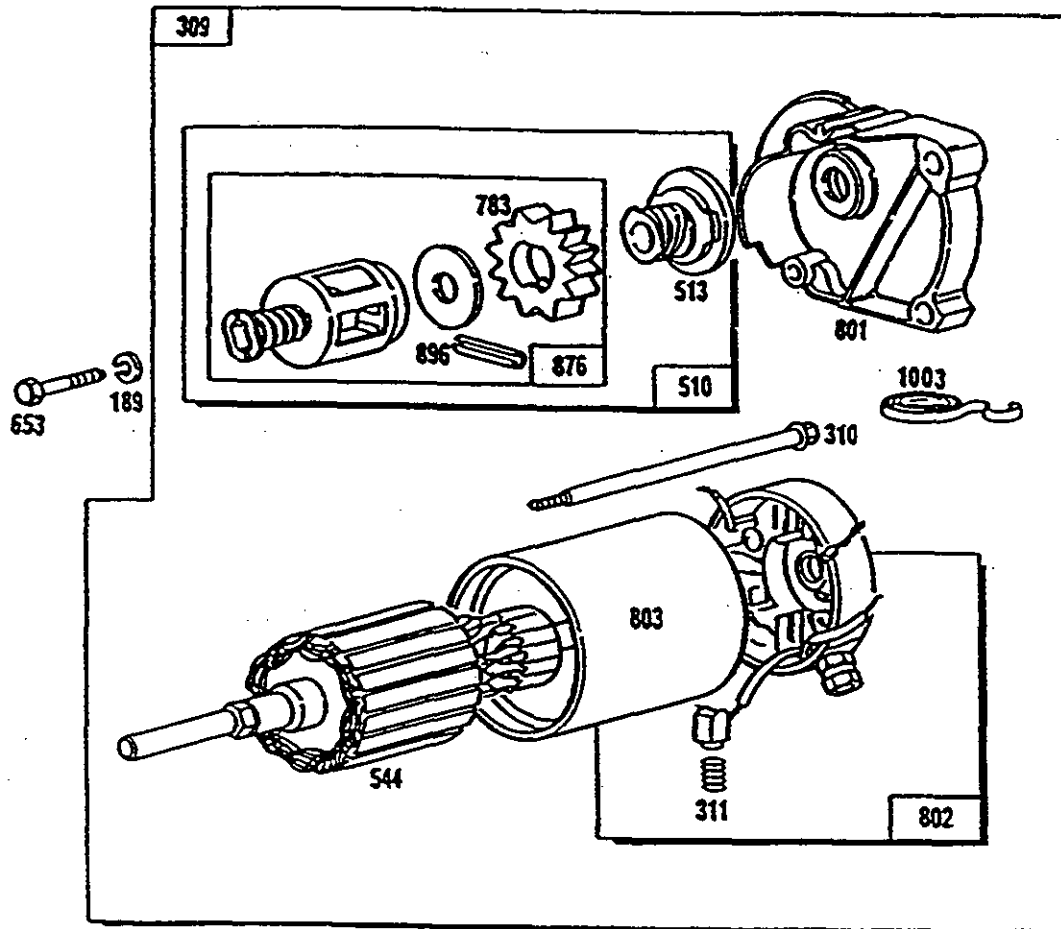


501





404400 to 404499



Reference Number	510	513	783	876	896
Starter Motor Mfr.	Starter Drive Group	Clutch Assembly	Gear	Pinion Spring Kit	Roll Pin
Briggs & Stratton					
12V	396865	398003	280104	393254	94192 (Black)
B&S or United Tech.					
12V	490421	398003	280104	490467	94288 (Copper)

Reference Number		309	310	311	544	801	802	803	1003
Manufacturer		Motor and Drive Ass'y.	Thru Bolt Assembly	Brush Assembly	Armature Assembly	Drive End Cap Assembly	End Cap Ass'y. Commutator	Housing Assembly	Brush Spring
Briggs & Stratton	Housing Length								
12V	3-5/8"	394808	94003	395538	390837	394860	395537	393825	-
12V	4-1/2"	399928	94169	490311	490309	394860	490310	399172	490316
United Technologies									
12V	3-15/32"	394808	-	492020	-	394860	492022	-	-

REF. NO.	PART NO.	DESCRIPTION	REF. NO.	PART NO.	DESCRIPTION	REF. NO.	PART NO.	DESCRIPTION
1	394900	Cylinder Assembly	PISTON RING SETS:			97	392672	Shaft and Lever—Throttle
2	261623	Bearing—Cylinder	26	394959	Ring Set—Piston—Standard	98	91920	Screw—Machine, Fil. Hd.—8-32 x 5/8"
3	391086	Seal—Oil		394960	Ring Set—Piston—.010" O.S.	99	26157	Spring—Throttle Adjustment
5-1	212461	Head—Cylinder #1		394961	Ring Set—Piston—.020" O.S.	102	†271609	Gasket—Carburetor Body
5-2	212462	Head—Cylinder #2		394962	Ring Set—Piston—.030" O.S.	103	298514	Float—Carburetor
7-1	*271867	Gasket—Cylinder Head #1	27	260924	Lock—Piston Pin	104	†230896	Pin—Float Hinge
7-2	*271868	Gasket—Cylinder Head #2	28	299691	Pin Assembly—Piston—Standard	105	†394681	Valve—Fuel Inlet
8-1	393243	Breather Assembly #1		391286	Pin Assembly—Piston—.005" O.S.	107	399625	Body—Lower Carburetor
8-2	393153	Breather Assembly #2	29	393270	Rod Assembly—Connecting	108	223534	Valve—Choke
9	*27803	Gasket—Valve Cover		Note:	For Connecting Rod with .020" Undersize Crankpin Bore—Order No. 393714.	109	392673	Shaft and Lever—Choke
10	93394	Screw—Sem	30	222480	Dipper—Connecting Rod	116	280474	O-Ring
11	280185	Tube—Breather	31	220863	Washer—1/4 x 5/8 x 1/32	117	231339	Jet—Needle Valve
11A	280198	Tube—Intake	32	92909	Screw—Connecting Rod	119	94152	Screw—Hex. Hd. Sem—10-32 x 3/4"
12	*270982	Gasket—Crankcase Cover—1/64" thick	33	390419	Valve—Exhaust	121	394502	Carburetor Overhaul Kit
	*271145	Gasket—Crankcase Cover—.005" thick		Note:	390420 Valve—Exhaust	161	222752	Body—Air Cleaner
	*271146	Gasket—Crankcase Cover—.009" thick			Used on Type Nos. 0102, 0104, 0111, 0112, 0113, 0114, 0115, 0116, 0117, 0118.	171	93715	Nut—Hex.
13	93111	Screw—Cylinder Head (1-15/16" long)	34	261528	Valve—Intake	186	67218	Connector—Fuel pipe
14	93113	Screw—Cylinder Head (2-5/16" long)	35	65906	Spring—Intake Valve	187	393815	Line—Fuel
15	91084	Plug—Oil Drain	36	26828	Spring—Exhaust Valve			Cut to required length.
15A	93448	Plug—Hex. Socket	40	221596	Retainer—Intake Valve	189	90366	Lockwasher
16	393823	Crankshaft	41	292260	Roto-Cap—Exhaust Valve	198	293934	Valve—Fuel Shut—Off
	Note:	Order Part No. 94196 Key or 231160 Pin for Timing Gear Retaining Device	42	93630	Retainer—Exhaust Valve Roto-Cap (2)	199	297563	Outlet—Fuel Tank
17	393741	Bearing—Ball (P.T.O. Side)	45	261368	Tappet—Valve	201	261444	Link—Governor
18	394309	Cover Assembly—Crankcase (Ball Brg.)	46	213100	Gear—Cam	202	261531	Link—Speed Control
	Note:	394535 Cover Assy.—Crankcase (Ball Brg.) Used on Type Nos. 0110, 0113.	50	393349	Manifold Assembly—Intake	209	261720	Spring—Governor
20	291675	Seal—Oil	51	†*271412	Gasket—Carb. Mtg.	209A	261563	Spring—Governed Idle
22	93847	Screw—Crankcase Cover Mtg. Sem	52	*270884	Gasket—Intake Manifold Mtg.	219	394348	Gear—Governor
	Note:	94096 Stud—Crankcase Cover Used on Type Nos. 0110, 0113	53	93415	Screw—Hex. Hd. Sem	220	222773	Washer—Thrust
23	392956	Flywheel and Ring Gear Assy.—Magneto	54	93208	Screw—Intake Manifold Mtg. Sem	222	222807	Bracket—Speed Control
	Note:	393480 Flywheel and Ring Gear Assy.—Magneto Used on Type Nos. 0115, 0116, 0117, 0118.	74	93808	Screw—Sem	223	222828	Lever—Speed Control
24	222698	Key—Flywheel (For MAGNETRON® Ignition)	75	222511	Washer—Spring	223A	394324	Plate Assembly—governor Control
25	394955	Piston Assy—Standard	78	93805	Screw—Sem	227	393846	Lever Assy.—Governor
	394956	Piston Assy—.010" O.S.	85	92674	Screw—Hex. Hd.	229	222289	Washer
	394957	Piston Assy—.020" O.S.	90	399229	Carburetor Assembly	230	220863	Washer—Gov. Crank (Inside)
	394958	Piston Assy—.030" O.S.	91	399327	Body Assembly—Upper Carburetor	240	394358	Filter—Fuel (In Fuel Pipe)
			93	231209	Bushing—Throttle Shaft	244	230318	Connector—Fuel Pipe
			94	†292681	Valve Assembly—Carburetor Idle	257	93897	Screw—Casing Clamp
			95	93499	Screw—Throttle and Choke Valve Mtg. Sem	258	93163	Screw—Sem (For Cast Iron Manifold)
			96	223370	Valve—Throttle		Note:	93868 Screw—Sem (For Aluminum Manifold)
						265	221535	Clamp—Casting
						284	93828	Screw—Sem
						284A	93893	Screw—Sem
						284B	93886	Screw—Hex. Hd.
						300	394200	Muffler—Exhaust
						304	396088	Housing—Blower
						305	93158	Screw—Sem
						306-1	222846	Shield—Cylinder
						306-2	223734	Shield—Cylinder

*Included in Gasket Set—Part No. 394501.

†Included in Carburetor Overhaul Kit—Part No. 394502.

‡Included in Carburetor Overhaul Kit—Part No. 394502 and Pump Repair Kit—Part No. 393397.

404400 to 404499

REF. NO.	PART NO.	DESCRIPTION	REF. NO.	PART NO.	DESCRIPTION	REF. NO.	PART NO.	DESCRIPTION
307	93163	Screw—Sem	455	222674	Cup—Screen Mounting	657	93496	Screw—Sem
308-1	222848	Cover—Air Guide	467	212706	Knob—Air Cleaner	664	93343	Screw—Sem
308-2	222849	Cover—Air Guide	468	222673	Screen—Flush Rotating	664A	93415	Screw—Hex. Hd.
309		Motor—Starting See Chart on Page 6 for Starter Motor Parts.	474	393474	Stator—Alternator (Dual Circuit)	676	393761	Deflector—Muffler (Side Outlet)
319	394988	Armature Assembly	474A	392595	Stator Alternator (Tri-Circuit)	725	222981	Shield—Heat
321	212277	Fan—Booster Note: 212370 Fan—Booster Used on Type No. 0117. 212418 Fan—Booster Used on Type Nos. 0110, 0111, 0112, 0113.	474B	393295	Stator—Alternator	726	391362	Gear—Flywheel Ring (Including Mounting Parts)
324	222872	Screen—Rotating Note: 223008 Screen— Rotating Used on Type Nos. 0110, 0111, 0112, 0113.	478	223144	Bracket—Starter (Key Switch)	741	262221	Gear—Timing (Used with Key) Note: 231321 Gear—Timing (Used with Pin)
332	230674	Nut—Hex. Note: 231247 Nut—Jam Used on Type Nos. 0110, 0111, 0112, 0113.	482	93621	Screw—Sem	795	490066	Switch Assy.— Key.
333	394891	Armature Group— (MAGNETRON® Ignition)	500	91325	Washer	795A	392833	Switch—Ignition (Key Switch)
334	93381	Screw—Armature Mtg. Sem	501	394890	Regulator—Alternator Note: 397809 Regulator — Alternator Used on Type Nos. 0115, 0116.	814	392606	Diode and Connector Assembly—Alternator (Tri-Circuit)
337	394539	Plug—Spark (2-3/8" High— 60 M.M.) (Resistor)	506	231174	Terminal	840	396573	Panel Assy.—Starter (Key)
346	93705	Screw—Sem	507	280180	Grommet—Insulator	842	271170	Seal—Tube
353	92791	Washer—Lock— Shakeproof	518	69932	Rope—Starter	847	398990	Dipstick and Tube Assy.
354	90576	Nut—Hex.—8-32	520	93722	Terminal—Spade	851	221798	Terminal—Ignition Cable
356	298693	Wire—Ground (Cut to Suit)	523	398924	Cap and Dipstick— Oil Filler	858	±270989	Diaphragm—Damping
357	91540	Key—Pulley	524	68838	Seal—Filler Tube	859	±271025	Gasket—Carb. Pump
358	394501	Gasket Set	525	280220	Tube—Oil Filler	860	±261358	Spring (2)
363	19203	Puller—Flywheel (Optional Accessory)	526	93559	Screw—Regulator Note: 94137 Screw— Regulator Used on Type Nos. 0115, 0116.	861	393397	Repair Kit—Pump
370	231172	Bushing—Speed Control	527	220162	Clip—Wire	862	392643	Mounting Strap Assy.— Air Cleaner
370A	66432	Washer—Plain	528	393244	Line—Fuel (Impulse)	863	222776	Bracket—Muffler
383	89838	Wrench—Spark Plug	535	271271	Element—Air Cleaner	864	398349	Adapter Assy.—Muffler
387	280197	Body—Pump	537	†*271411	Gasket—Air Cleaner	865-1	392991	Cover Assy.—Air Guide (Cylinder #1)
392	±261395	Spring—Pump	549	271180	Washer	865-2	399931	Cover Assy.—Air Guide (Cylinder #2)
394	±270988	Diaphragm	552	261559	Lower Bushing— Governor	866	393025	Rear Insert Assembly (Air Guide)
423	93343	Screw—Hex Head	552A	261560	Upper Bushing— Governor	867	222775	Frame—Air Guide
432	±221377	Cap—Spring	556	93783	Screw—Hex. Hd.	869	261463	Seat—Intake Valve (Standard)
434	223688	Cover—Diaphragm (Used after Code Date 85121500.) Note: 222615 Cover— Diaphragm (Used before Code Date 85121600.)	558	92268	Washer	870	210940	Seat—Exhaust Valve (Standard)
435	93829	Screw—Diaphragm Cover	561	92278	Nut—Hex.	871	261961	Guide—Exhaust Valve Note: 231218 Guide— Intake Valve See Repair Manual
445	394018	Cartridge—Air Cleaner	562	93853	Bolt—Governor Lever	877	393456	Diode and Connector Assy. (Dual Circuit)
			567	93777	Screw—Hex. Hd. (Back Plate to Cyl.)	877A	393537	Connector Assy. (Tri-Circuit)
			568	394391	Base—Engine	878	393362	Alternator Harness Assy.
			569	*270981	Gasket—Engine Base	878A	393422	Alternator Harness Assy.
			572	222700	Guide—Air	883	271174	Gasket—Exhaust
			573	392934	Back Plate Assy.	897	394970	Trigger Coil Assembly— MAGNETRON® Ignition
			575	299139	Switch—Starting	947	397266	Solenoid
			578	394518	Wire Assembly	955	397882	Plug and Seal— Solenoid
			586	22906	Lock—Flywheel Nut	1019	491259	Decal Kit
			592	92278	Nut—Hex.—10-24			
			601	93053	Clamp—Fuel Pipe			
			615	93851	Retainer—E-Ring			
			616	394396	Crank—Governor			
			634	†271013	Washer (Throttle Shaft)			
			634A	271316	Foam Seal—Gov. Shaft			
			635	66538	Elbow—Spark Plug			
			642	223001	Cover—Air Cleaner			
			643	222835	Cartridge Plate—Air Cleaner			
			653	91162	Screw—Hex. Hd.— 5/16-18 x 1-1/2"			

*Included in Gasket Set—
Part No. 394501.

†Included in Carburetor Overhaul
Kit—Part No. 394502.

‡Included in Carburetor Overhaul
Kit—Part No. 394502 and Pump
Repair Kit—Part No. 393397.

Free Manuals Download Website

<http://myh66.com>

<http://usermanuals.us>

<http://www.somanuals.com>

<http://www.4manuals.cc>

<http://www.manual-lib.com>

<http://www.404manual.com>

<http://www.luxmanual.com>

<http://aubethermostatmanual.com>

Golf course search by state

<http://golfingnear.com>

Email search by domain

<http://emailbydomain.com>

Auto manuals search

<http://auto.somanuals.com>

TV manuals search

<http://tv.somanuals.com>