



Illustrated Parts List

Model Series

127800

TYPE NUMBERS
0100 through 3187.

TABLE OF CONTENTS

Alternator	8
Air Cleaner	4
Blower Housing/Shrouds	6
Camshaft	2
Carburetor	3
Controls	5
Crankshaft	2
Cylinder	2
Electric Starter	8
Electrical	8
Engine Sump	2
Exhaust System	4
Flywheel	7
Flywheel Brake	8
Fuel Supply	5
Governor Spring	5
Ignition	8
Kits/Gaskets	2 & 3
Lubrication	2
Piston Group	2
Rewind Starter	7
Valves	2

PRINTED IN U.S.A.



COPYRIGHT by BRIGGS & STRATTON CORPORATION
All rights reserved. No part of this material may be reproduced or transmitted, in any form or by any means, electronic or mechanical, including photocopying, recording or by any information storage and retrieval system, without permission in writing from Briggs & Stratton Corporation.

1319 WARNING LABEL



REQUIRED when replacing parts with warning labels affixed.

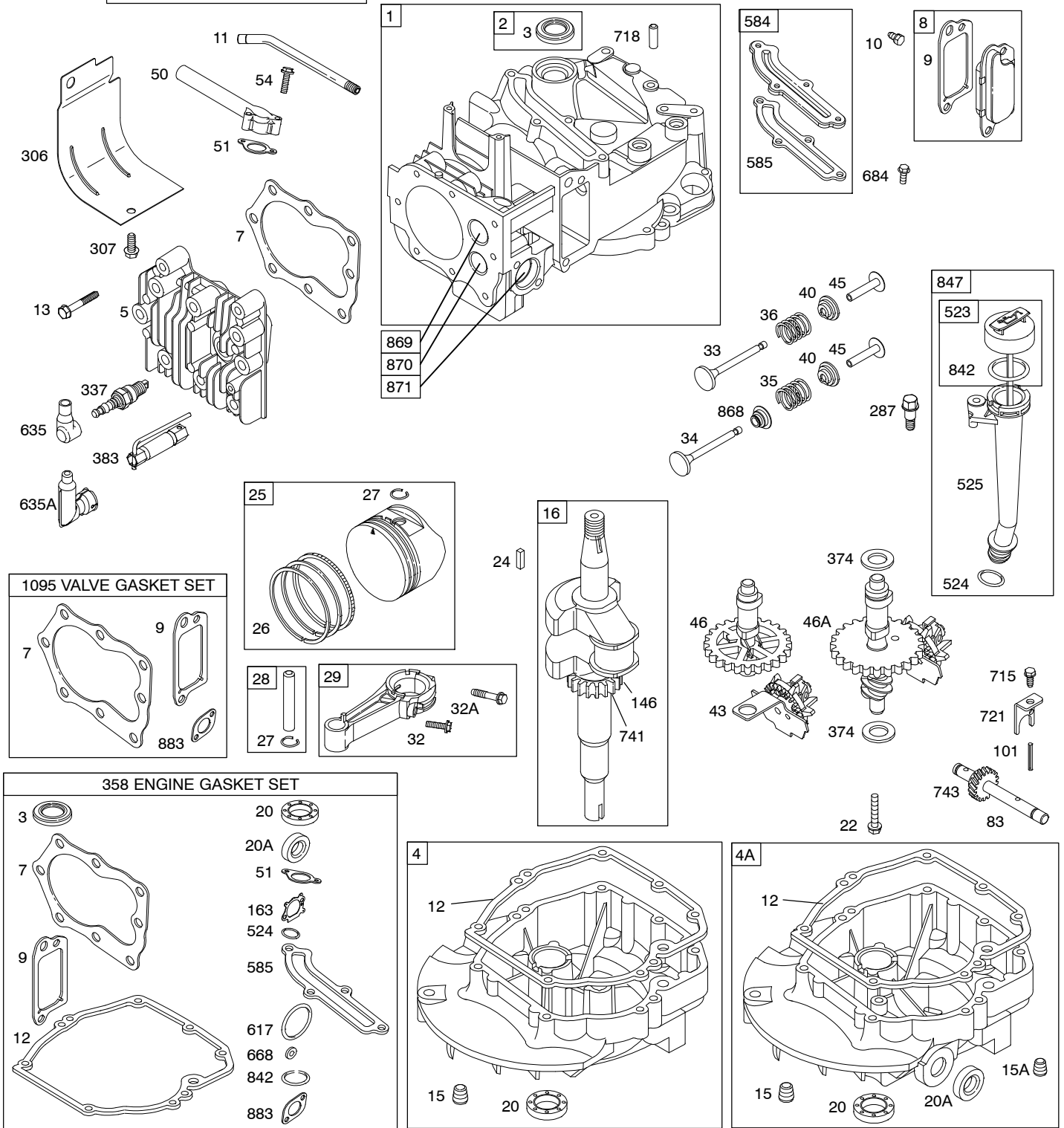
1058 OPERATOR'S MANUAL



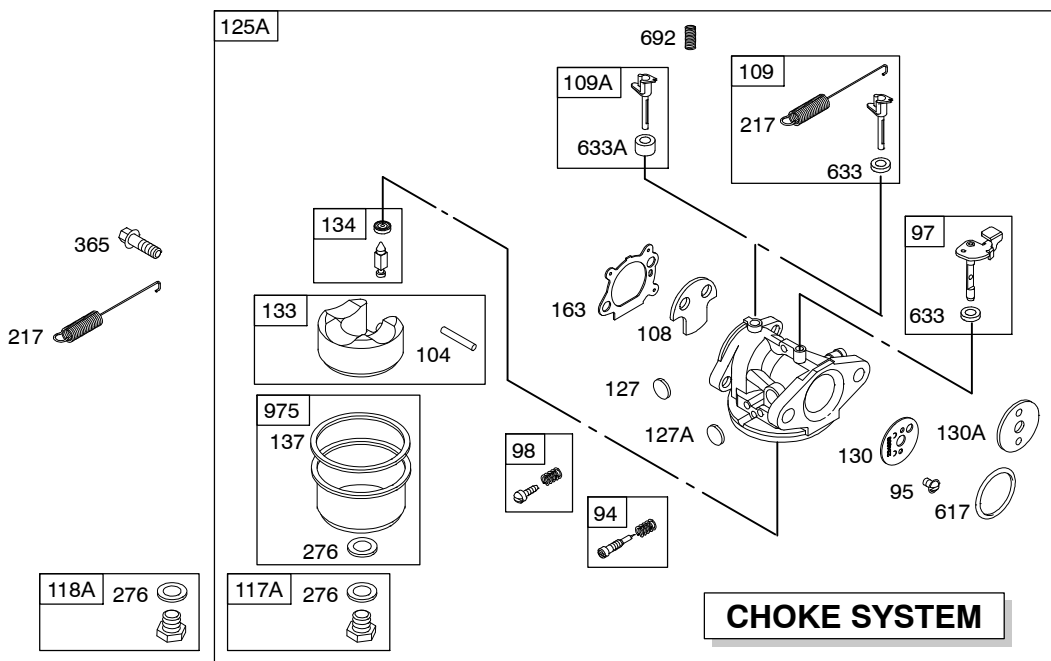
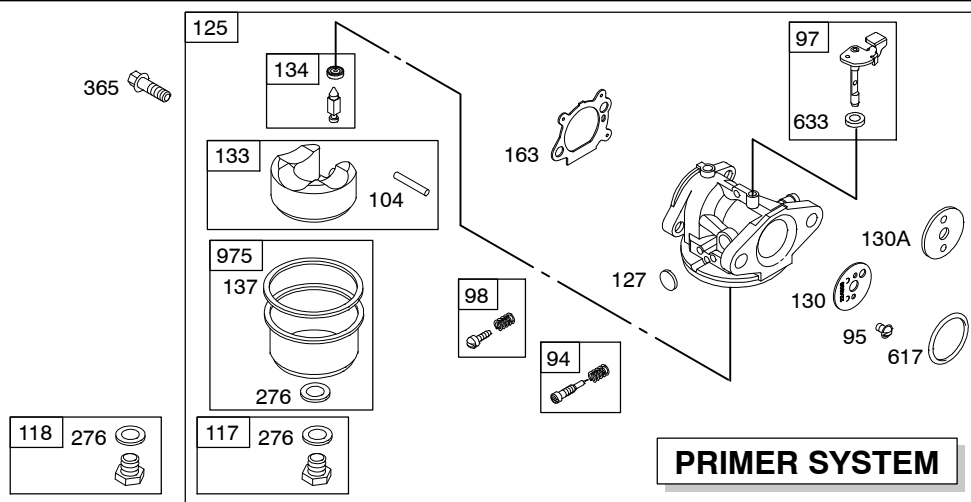
1330 REPAIR MANUAL



1019 LABEL KIT



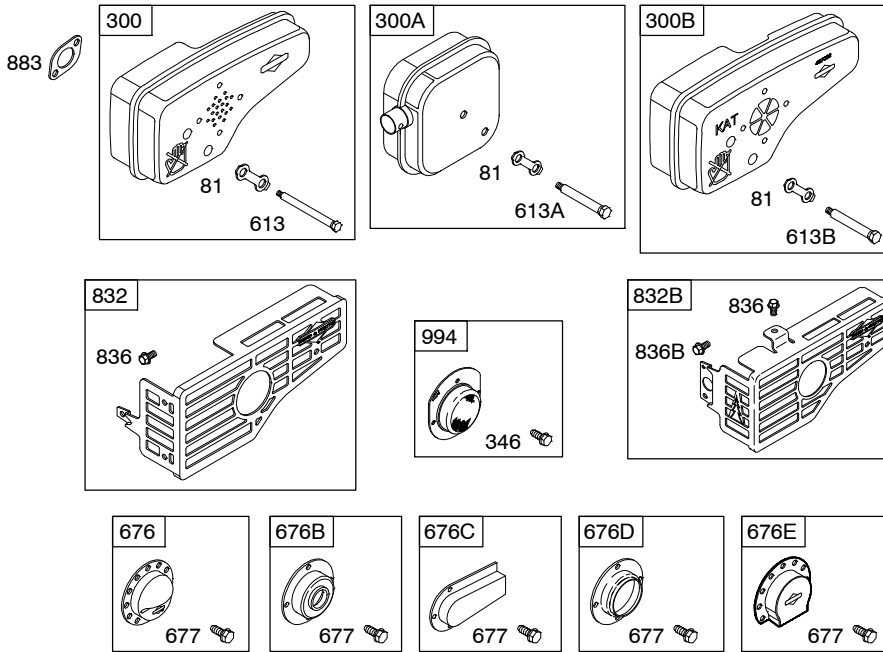
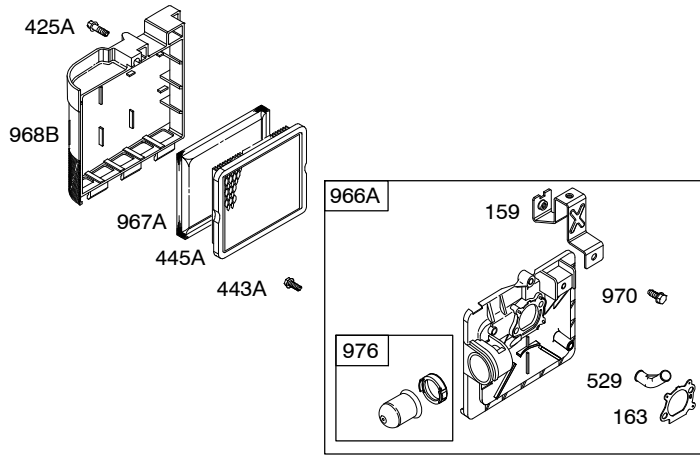
Illustrations cover a range of engines. Parts shown without corresponding text may not be used on your specific engine. Assemblies include all parts shown in frames. 0519-2 06/27/2008



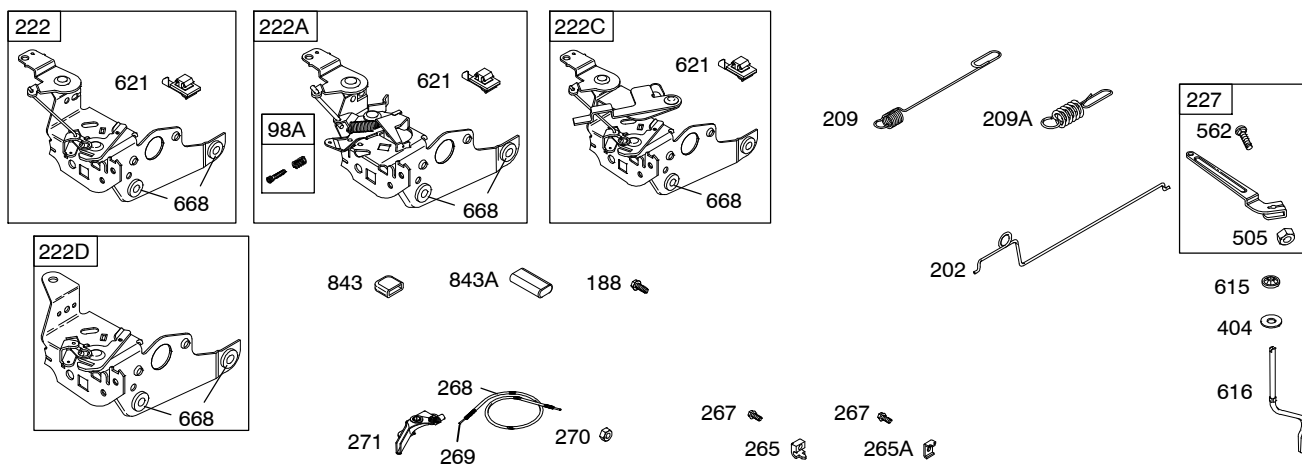
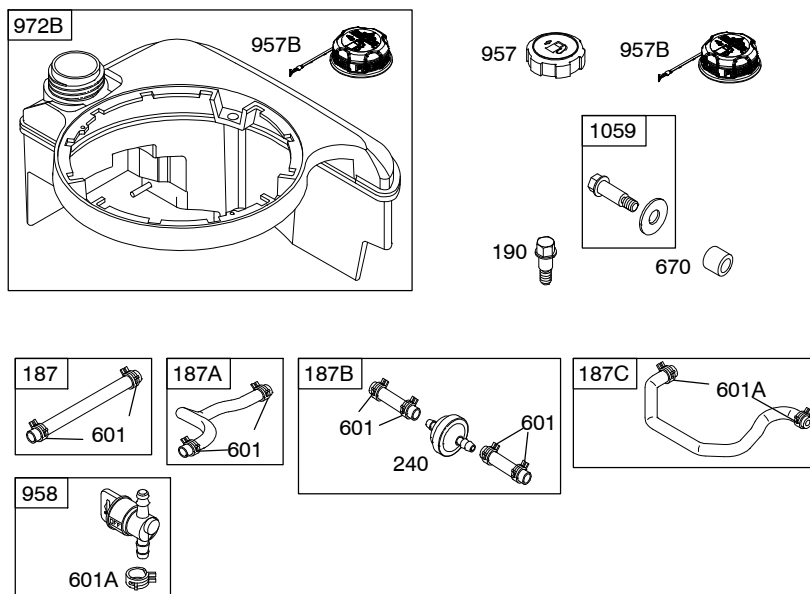
121 CARBURETOR OVERHAUL KIT		
94	134	276
104	137	617
127		633
127A	163	633A

977 CARBURETOR GASKET SET		
137	276	633
163	617	633A

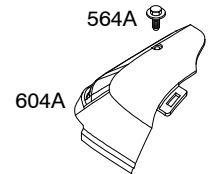
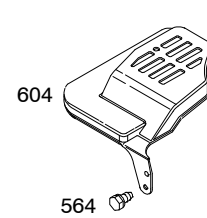
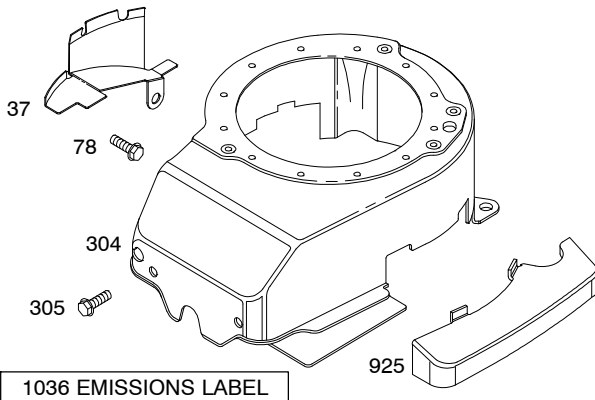
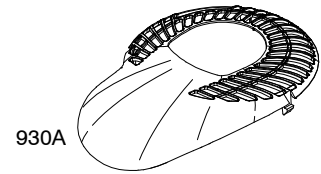
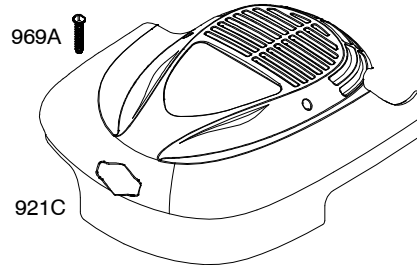
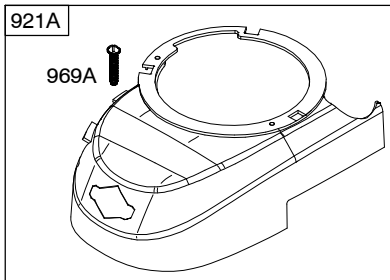
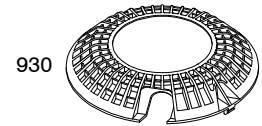
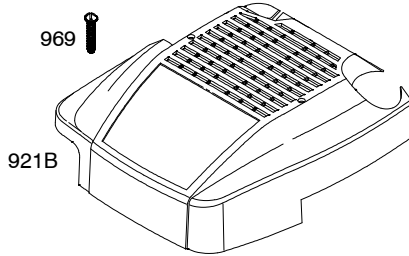
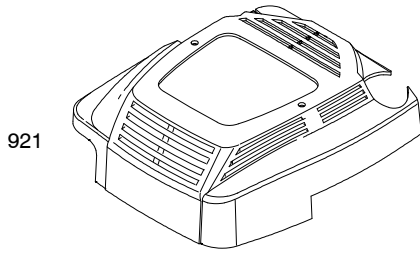
Illustrations cover a range of engines. Parts shown without corresponding text may not be used on your specific engine.



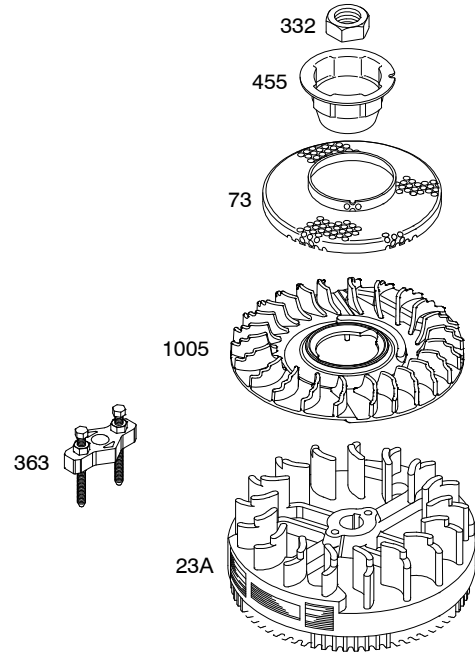
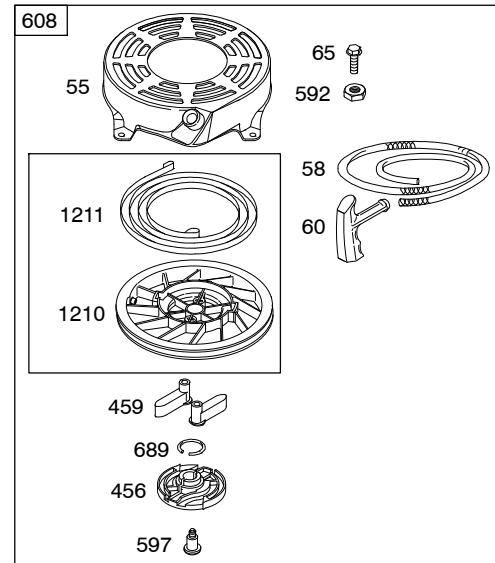
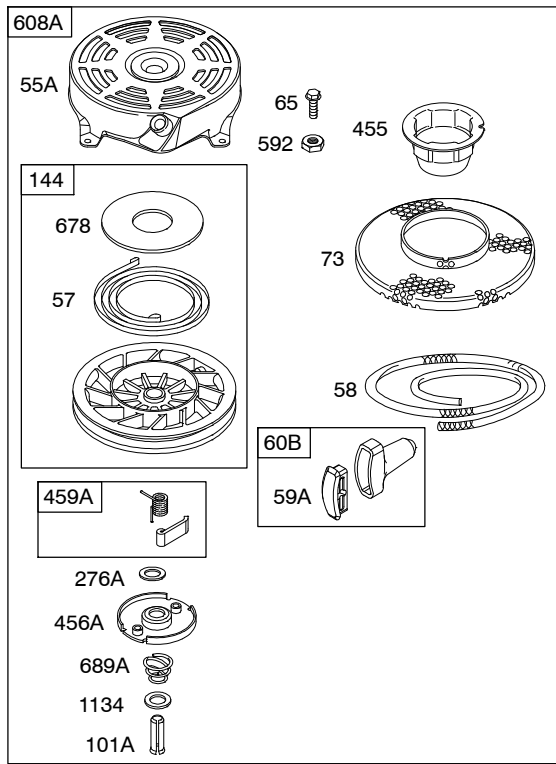
Illustrations cover a range of engines. Parts shown without corresponding text may not be used on your specific engine.
0519-4 Assemblies include all parts shown in frames. **06/27/2008**



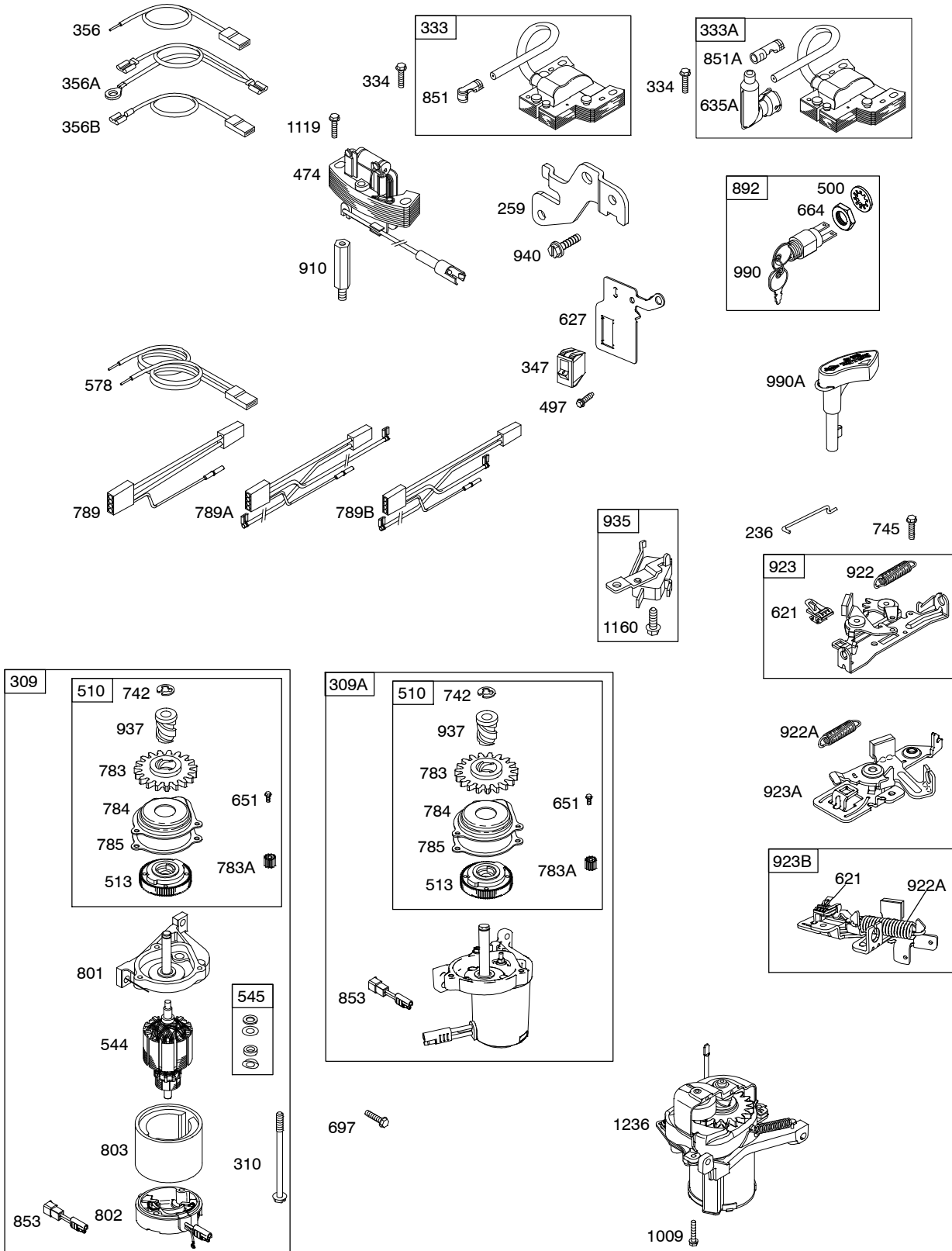
Illustrations cover a range of engines. Parts shown without corresponding text may not be used on your specific engine.



Illustrations cover a range of engines. Parts shown without corresponding text may not be used on your specific engine.
0519-6 Assemblies include all parts shown in frames. 06/27/2008



0519-7 **Illustrations cover a range of engines. Parts shown without corresponding text may not be used on your specific engine.** Assemblies include all parts shown in frames. 06/27/2008



Illustrations cover a range of engines. Parts shown without corresponding text may not be used on your specific engine.
0519-8 Assemblies include all parts shown in frames. **06/27/2008**

REF. NO.	PART NO.	DESCRIPTION	REF. NO.	PART NO.	DESCRIPTION	REF. NO.	PART NO.	DESCRIPTION
1	697322	Cylinder Assembly	4A	493365	Sump-Engine (Auxiliary PTO)	11	691781	Tube-Breather
2	399269	Kit-Bushing/Seal				12	★692232	Gasket-Crankcase
3	★299819S	Seal-Oil (Magneto Side)	5	691160	Head-Cylinder	13	690912	Screw (Cylinder Head)
4	493279	Sump-Engine	7	★∅692249	Gasket-Cylinder Head	15	691680	Plug-Oil Drain (Square Socket)
		----- Note -----	8	495786	Breather Assembly			
		696294 Sump-Engine	9	★∅699833	Gasket-Breather	15A	691093	Plug-Oil Drain (Hex Socket)
		Used on Type No(s). 3165.	10	94650	Screw (Breather Assembly)			

★ Included in Engine Gasket Set-Ref. No.358.

● Included in Carburetor Overhaul Kit-Ref. No. 121.

◆ Included in Carburetor Gasket Set-Ref. No. 977.

∅ Included in Valve Gasket Set-Ref. No 1095.

Illustrations cover a range of engines. Parts shown without corresponding text may not be used on your specific engine.

0519-9

Assemblies include all parts shown in frames.

06/27/2008

127800

REF. NO.	PART NO.	DESCRIPTION	REF. NO.	PART NO.	DESCRIPTION	REF. NO.	PART NO.	DESCRIPTION
16	691451	Crankshaft (Used After Code Date 97011200). ----- Note ----- 694442 Crankshaft (Used Before Code Date 97011300). ----- 691450 Crankshaft (Used After Code Date 97011200). Used on Type No(s). 0600, 0808, 0830, 0843, 1108, 1111, 1112, 1113, 1145, 1146, 1167, 1312, 1531, 1533, 1534, 1536, 1538, 1700, 1908, 2308, 2631, 3112. 694440 Crankshaft (Used Before Code Date 97011300). Used on Type No(s). 0100, 0208, 0408, 0600, 0808, 0830, 0843, 1108, 1111, 1112, 1113, 1531, 1533, 1536, 1538. ----- 691452 Crankshaft (Used After Code Date 97011200). Used on Type No(s). 0811, 0812, 0821, 0826, 0829, 0838, 0839, 0850, 0861, 0866, 0880, 0883, 0890, 0892, 0897, 0898, 0899, 0900, 0902, 1114, 1137, 1139, 1140, 1149, 1150, 1162, 1166, 1168, 1176, 1191, 1366, 1376, 1378, 1386, 1566, 1572, 1765, 1766, 1912, 1914, 1927, 1929, 1952, 1966, 1969, 1972, 1973, 1995, 2004, 2006, 2007, 2009, 2366, 2667, 2668, 2676, 2681, 3110, 3125.			694059 Crankshaft (Used Before Code Date 97011300). Used on Type No(s). 0415, 0811, 0812, 0821, 0826, 0829, 0838, 0839, 0850, 0861, 0866, 0890, 0892, 0897, 0898, 0899, 1114, 1137, 1139, 1140, 1162, 1166, 1176, 1191, 1366, 1376, 1378, 1386, 1566, 1572. ----- 691454 Crankshaft (Used After Code Date 97011200). Used on Type No(s). 0822, 0823, 0835, 0864, 0891, 1133, 1364, 1375, 1377, 1539, 1935, 1961, 3164, 3165, 3175, 3176, 3177, 3178. 692000 Crankshaft (Used Before Code Date 97011300). Used on Type No(s). 0822, 0823, 0835, 0864, 0891, 1133, 1364, 1375, 1377.			691455 Crankshaft (Used After Code Date 97011200). Used on Type No(s). 0820, 1953, 2319. 691375 Crankshaft (Used Before Code Date 97011300). Used on Type No(s). 0820. ----- 692980 Crankshaft (Used After Code Date 97011200). Used on Type No(s). 0611, 0612, 0640, 0650, 0651, 0653, 0849, 1739, 1740, 1741, 1751, 1742, 1761, 1763, 1949. 694443 Crankshaft (Used Before Code Date 97011300). Used on Type No(s). 0611, 0612, 0640, 0650, 0651, 0849. ----- 695242 Crankshaft Used on Type No(s). 1171, 1177. 694849 Crankshaft Used on Type No(s). 1916. 691482 Crankshaft Used on Type No(s). 1913.

★ Included in Engine Gasket Set-Ref. No.358.

● Included in Carburetor Overhaul Kit-Ref. No. 121.

◆ Included in Carburetor Gasket Set-Ref. No. 977.

⊘ Included in Valve Gasket Set-Ref. No 1095.

Illustrations cover a range of engines. Parts shown without corresponding text may not be used on your specific engine.

0519-10

Assemblies include all parts shown in frames.

06/27/2008

REF. NO.	PART NO.	DESCRIPTION	REF. NO.	PART NO.	DESCRIPTION	REF. NO.	PART NO.	DESCRIPTION
20	★399781S	Seal–Oil (PTO Side)	25	795429	Piston Assembly (Standard) (Used After Code Date 07090300).	26	795431	Ring Set (Standard) (Used After Code Date 07090300).
20A	★691952	Seal–Oil (PTO Side) (Auxiliary PTO)			----- Note -----			----- Note -----
22	691092	Screw (Crankcase Cover/ Sump)		791097	Piston Assembly (Used After Code Date 04031400 and Before Code Date 07090400).		791098	Ring Set (Standard) (Used After Code Date 04031400 and Before Code Date 07090400).
23A	691987	Flywheel ----- Note ----- 691992 Flywheel Used on Type No(s). 0662, 0838, 0880, 0882, 0883, 0897, 0899, 0900, 1139, 1140, 1141, 1378, 1927, 1953, 2000, 2319. 696291 Flywheel Used on Type No(s). 3165.		499429	Piston Assembly (Standard) (Used After Code Date 97011200 and Before Code Date 04031500).		499425	Ring Set (Standard) (Used After Code Date 97011200 and Before Code Date 04031500).
24	222698S	Key–Flywheel		493262	Piston Assembly (Standard) (Used Before Code Date 97011300).		493261	Ring Set (Standard) (Used Before Code Date 97011300).
				795430	Piston Assembly (.020" Oversize) (Used After Code Date 07090300).		795432	Ring Set (.020" Oversize) (Used After Code Date 04102100).
				791326	Piston Assembly (.020" Oversize) (Used After Code Date 04102100 and Before Code Date 07040400).		791324	Ring Set (.020" Oversize) (Used After Code Date 04102100 and Before Code Date 07090400).
				499431	Piston Assembly (.020" Oversize) (Used After Code Date 97011200 and Before Code Date 04102200).		499427	Ring Set (.020" Oversize) (Used After Code Date 97011200 and Before Code Date 04102200).
				493386	Piston Assembly (.020" Oversize) (Used Before Code Date 97011300).		493389	Ring Set (.020" Oversize) (Used Before Code Date 97011300).
				493387	Piston Assembly (.030" Oversize) (Used Before Code Date 97011300).		493390	Ring Set (.030" Oversize) (Used Before Code Date 97011300).

★ Included in Engine Gasket Set–Ref. No.358.

● Included in Carburetor Overhaul Kit–Ref. No. 121.

◆ Included in Carburetor Gasket Set–Ref. No. 977.

⊗ Included in Valve Gasket Set–Ref. No 1095.

Illustrations cover a range of engines. Parts shown without corresponding text may not be used on your specific engine.

0519–11

Assemblies include all parts shown in frames.

06/27/2008

127800

REF. NO.	PART NO.	DESCRIPTION	REF. NO.	PART NO.	DESCRIPTION	REF. NO.	PART NO.	DESCRIPTION
27	691866	Lock-Piston Pin (Used After Code Date 97011200). ----- Note ----- 691588 Lock-Piston Pin (Used Before Code Date 97011300).	37	694086	Guard-Flywheel	57	491889	Spring-Rewind Starter
28	499423	Pin-Piston (Standard) (Used After Code Date 97011200). ----- Note ----- 298909 Pin-Piston (Standard) (Used Before Code Date 97011300). 298908 Pin-Piston (.005" Oversize) (Used Before Code Date 97011300).	40	692194	Retainer-Valve	58	697316	Rope-Starter (Cut To Required Length)
29	499424	Rod-Connecting (Standard) (Used After Code Date 97011200). ----- Note ----- 490566 Rod-Connecting (Standard) (Used Before Code Date 97011300).	43	691997	Slinger-Governor/Oil ----- Note ----- 691486 Slinger-Governor/Oil Used on Type No(s). 1913.	59A	396892	Insert-Grip
32	691664	Screw (Connecting Rod)	45	690548	Tappet-Valve	60	281434S	Grip-Starter Rope (Pistol Grip)
32A	695759	Screw (Connecting Rod) (Used After Code Date 00042200).	46	691449	Camshaft (Used After Code Date 96060200). ----- Note ----- 492830 Camshaft (Used Before Code Date 96060300).	60B	393152	Grip-Starter Rope (2 Piece)
33	262651S	Valve-Exhaust	46A	691459	Camshaft (Counterclockwise) (Used After Code Date 96060200). ----- Note ----- 493738 Camshaft (Counterclockwise) (Used Before Code Date 96060300). Used on Type No(s). 0210, 0811, 0822, 0823, 0892, 0903, 1110, 1112, 1113, 1139, 1140, 1142, 1375, 1377, 1570, 1571, 1581, 1591, 1883, 1884, 1959.	65	690837	Screw (Rewind Starter)
34	262652	Valve-Intake				73	691222	Screen-Rotating
35	691270	Spring-Valve (Intake)				78	691108	Screw (Flywheel Guard)
36	691270	Spring-Valve (Exhaust)				81	691740	Lock-Muffler Screw
						83	691778	Shaft-Auxiliary Drive ----- Note ----- 690522 Shaft-Auxiliary Drive Used on Type No(s). 0811, 1112, 1113, 1536, 1538, 2673, 2674.
						94	●493765	Kit-Idle Mixture
						95	691636	Screw (Throttle Valve)
						97	493267	Shaft-Throttle (Metal) ----- Note ----- 696565 Shaft-Throttle (Plastic)
						98	398185	Kit-Idle Speed
						98A	493280	Kit-Idle Speed
						101	691623	Pin-Shaft
						101A	262626	Pin-Shaft
						104	●691242	Pin-Float Hinge
						108	691182	Valve-Choke
						109	494218	Shaft-Choke
						109A	498593	Shaft-Choke

★ Included in Engine Gasket Set-Ref. No.358.

● Included in Carburetor Overhaul Kit-Ref. No. 121.

◆ Included in Carburetor Gasket Set-Ref. No. 977.

⊘ Included in Valve Gasket Set-Ref. No 1095.

Illustrations cover a range of engines. Parts shown without corresponding text may not be used on your specific engine.

0519-12

Assemblies include all parts shown in frames.

06/27/2008

REF. NO.	PART NO.	DESCRIPTION	REF. NO.	PART NO.	DESCRIPTION	REF. NO.	PART NO.	DESCRIPTION
117	494870	Jet–Main (Standard) (Used After Code Date 96060200). ----- Note ----- 497466 Jet–Main (Standard) (Used After Code Date 95102900 and Before Code Date 96060300). 497315 Jet–Main (Standard) (Used Before Code Date 95103000). 493637 Jet–Main (Standard) (Used Before Code Date 94070400). Used on Type No(s). 0611, 0612.	118	497315	Jet–Main (High Altitude) (Used After Code Date 96060200). ----- Note ----- 496495 Jet–Main (High Altitude) (Used After Code Date 95102900 and Before Code Date 96060300). 497348 Jet–Main (High Altitude) (Used Before Code Date 95103000). 494870 Jet–Main (High Altitude) (Used Before Code Date 94070400). Used on Type No(s). 0611, 0612.	121	498260	Kit–Carburetor Overhaul
117A	498977	Jet–Main (Standard) (Used After Code Date 96060200). ----- Note ----- 493637 Jet–Main (Standard) (Used Before Code Date 96060300). 498978 Jet–Main (Standard) Used on Type No(s). 1913, 1953, 2319. 498981 Jet–Main (Standard) Used on Type No(s). 1916.	118A	498981	Jet–Main (High Altitude) (Used After Code Date 96060200). ----- Note ----- 496063 Jet–Main (High Altitude) (Used Before Code Date 96060300). 498975 Jet–Main (High Altitude) Used on Type No(s). 1913, 1953, 2319. 494870 Jet–Main (High Altitude) Used on Type No(s). 1916.	125	498170	Carburetor (Primer System) (Used After Code Date 96060200). ----- Note ----- 498254 Carburetor (Primer System) (Used Before Code Date 96060300). 496114 Carburetor (Primer System) (Used Before Code Date 94070400). Used on Type No(s). 0611, 0612.
						125A	498965	Carburetor (Choke System) (Used After Code Date 96060200). ----- Note ----- 494217 Carburetor (Choke System) (Used Before Code Date 96060300). 499059 Carburetor (Choke System) Used on Type No(s). 1913, 1953, 2319. 792253 Carburetor (Choke System) Used on Type No(s). 1916.
						127	●694468	Plug–Welch (3/8" Diameter)
						127A	●691739	Plug–Welch (5/16" Diameter)

★ Included in Engine Gasket Set–Ref. No.358.

● Included in Carburetor Overhaul Kit–Ref. No. 121.

◆ Included in Carburetor Gasket Set–Ref. No. 977.

⊘ Included in Valve Gasket Set–Ref. No 1095.

Illustrations cover a range of engines. Parts shown without corresponding text may not be used on your specific engine.

0519–13

Assemblies include all parts shown in frames.

06/27/2008

127800

REF. NO.	PART NO.	DESCRIPTION	REF. NO.	PART NO.	DESCRIPTION	REF. NO.	PART NO.	DESCRIPTION
130	691203	Valve-Throttle	209	691292	Spring-Governor	209A	691835	Spring-Governor
130A	691181	Valve-Throttle			----- Note -----			----- Note -----
133	398187	Float-Carburetor			699056 Spring-Governor			691834 Spring-Governor
134	● 398188	Kit-Needle/Seat			Used on Type No(s). 0600, 0650, 0808, 0829, 0837, 0839, 1109, 1110, 1700, 1761, 1901, 1908, 1929, 1953, 1992, 1994, 1995, 2309, 2319.			Used on Type No(s). 1167, 1146.
137	◆ 693981	Gasket-Float Bowl			691864 Spring-Governor			691832 Spring-Governor
144	493824	Pulley/Spring Assembly			Used on Type No(s). 1913.			Used on Type No(s). 0880, 0897.
146	690979	Key-Timing			691852 Spring-Governor			690569 Spring-Governor
159	691753	Bracket-Air Cleaner Primer			Used on Type No(s). 1914, 1766, 1887, 1971, 1972, 2008, 2009, 2367, 2680, 2681, 2673, 2674.			Used on Type No(s). 1171, 1177.
163	★◆ 272653	Gasket-Air Cleaner			691851 Spring-Governor			262663 Spring-Governor
187	791766	Line-Fuel (Cut to Required Length)			Used on Type No(s). 0830, 0841, 0843, 0848, 0893, 1130, 1312, 1387, 1530, 1531, 1916, 1948, 2631, 3112, 3187.			Used on Type No(s). 0667, 1593.
187A	791873	Line-Fuel (Molded)			691291 Spring-Governor			
187B	791891	Line-Fuel (Includes Filter) (Used After Code Date 05063000).			Used on Type No(s). 2007, 2006.			
		----- Note -----						
		692042 Line-Fuel (Includes Filter) (Used Before Code Date 05070100).						
187C	791875	Line-Fuel (Molded)						
188	690877	Screw (Control Bracket)						
190	690940	Screw (Fuel Tank)						
202	691829	Link-Mechanical Governor						

★ Included in Engine Gasket Set-Ref. No.358.

● Included in Carburetor Overhaul Kit-Ref. No. 121.

◆ Included in Carburetor Gasket Set-Ref. No. 977.

⊗ Included in Valve Gasket Set-Ref. No 1095.

Illustrations cover a range of engines. Parts shown without corresponding text may not be used on your specific engine.

0519-14

Assemblies include all parts shown in frames.

06/27/2008

REF. NO.	PART NO.	DESCRIPTION	REF. NO.	PART NO.	DESCRIPTION	REF. NO.	PART NO.	DESCRIPTION
217	690354	Spring-choke Return	270	691027	Nut	305	691108	Screw
222	790143	Bracket-Control (Remote/Manual Friction)(Primer)	287	690940	Screw (Dipstick Tube)			(Blower Housing)
222A	692021	Bracket-Control (Remote Choke A Matic, Non Compliance)	300	496106S	Muffler (Tuned)	306	690450	Shield-Cylinder
222C	692150	Bracket-Control (Remote/Manual Friction)(Variable Speed And 5 Position Manual Choke)	300A	494343S	Muffler (Square Lo Tone)	307	690345	Screw (Cylinder Shield)
222D	692467	Bracket-Control (Remote/Manual Friction)(Variable Speed And 5 Position Manual Choke Without Stopswitch)	300B	497681	Muffler (Catalyst)	309	695550	Motor-Starter (Used Before Code Date 07052900).
227	690783	Lever-Governor Control	304	493293	Housing-Blower	309A	795092	Motor-Starter (Used After Code Date 07052800).
236	691826	Link-Lockout			----- Note -----	310	692327	Bolt (Starter Motor)
240	298090S	Filter-Fuel			696298 Housing-Blower	332	690662	Nut (Flywheel)
259	691223	Bracket-Casing Clamp			Used on Type No(s). 3165.	333	802574	Armature-Magneto
265	690798	Clamp-Casing			695892 Housing-Blower	333A	792640	Armature-Magneto (Screw On Spark Plug Boot)
265A	691024	Clamp-Casing			Used on Type No(s). 1901, 1908, 1992, 1994, 1995.			----- Note -----
267	691044	Screw (Casing Clamp)			493294 Housing-Blower			793353 Armature-Magneto (Snap In Spark Plug Boot)
268	691025	Casing-Control Wire (Cut to Required Length)			Used on Type No(s). 0513, 0662, 0817, 0821, 0829, 0830, 0838, 0841, 0843, 0848, 0880, 0882, 0883, 0893, 0897, 0899, 0900, 0903, 1130, 1138, 1139, 1140, 1141, 1168, 1190, 1193, 1312, 1378, 1387, 1530, 1531, 1913, 1916, 1927, 1929, 1948, 1952, 1953, 1969, 2006, 2007, 2319, 2631, 3110, 3112, 3187.	334	691061	Screw (Magneto Armature)
269	691026	Wire-Control (Cut to Required Length)				337	802592S	Plug-Spark
270	691027	Nut (Control Wire Casing)				346	690661	Screw (Spark Arrestor)
271	691028	Lever-Control				347	691396	Switch-Rocker
276	◆271716	Washer-Sealing				356	692390	Wire-Stop
276A	280973	Washer-Sealing				356A	690650	Wire-Stop
						356B	693010	Wire-Stop
						358	497316	Gasket Set-Engine
						363	19069	Flywheel Puller
						365	691688	Screw (Carburetor)
						374	691074	Washer (Camshaft)

★ Included in Engine Gasket Set-Ref. No.358.

● Included in Carburetor Overhaul Kit-Ref. No. 121.

◆ Included in Carburetor Gasket Set-Ref. No. 977.

⊘ Included in Valve Gasket Set-Ref. No 1095.

Illustrations cover a range of engines. Parts shown without corresponding text may not be used on your specific engine.

0519-15

Assemblies include all parts shown in frames.

06/27/2008

127800

REF. NO.	PART NO.	DESCRIPTION	REF. NO.	PART NO.	DESCRIPTION	REF. NO.	PART NO.	DESCRIPTION
383	89838S	Wrench-Spark Plug	578	398153	Wire Assembly	651	691660	Screw
404	690272	Washer (Governor Crank)	584	697734	Cover-Breather Passage			(Starter Gear Cover)
425A	690670	Screw (Air Cleaner Cover)	585	★691879	Gasket-Breather Passage	664	691087	Nut (Key Switch)
443A	692523	Screw (Air Cleaner Primer Base)	592	690800	Nut (Rewind Starter)	668	★493823	Spacer (Includes 2)
445A	491588S	Filter-Air Cleaner Cartridge	597	691696	Screw (Pawl Friction Plate)	670	692294	Spacer-Fuel Tank
455	791960	Cup-Flywheel	601	791850	Clamp-Hose	676	396548	Deflector-Muffler (Single Louver)
455A	224250	Cup-Flywheel	601A	691038	Clamp-Hose	676B	397931	Deflector-Muffler (Direct Out) (3/4" Diameter)
456	692299	Plate-Pawl Friction	604	691757	Cover-Control	676C	493871	Deflector-Muffler (Side Out) (Extended) (17/32" Deep)
456A	224321	Plate-Pawl Friction	604A	691344	Cover-Control	676D	497682	Deflector-Muffler (Direct Out) (1 3/16" Diameter)
459	281505S	Pawl-Ratchet	608	497680	Starter-Rewind	676E	393760	Deflector-Muffler (Side Out) (7/16" Deep)
459A	492833	Pawl-Ratchet	608A	497598	Starter-Rewind	677	690661	Screw (Muffler Deflector)
474	691991	Alternator	613	691340	Screw (Muffler)	678	224278	Spacer-Rewind
497	690664	Screw (Stopswitch Bracket)	613A	691653	Screw (Muffler)	684	690345	Screw (Breather Passage Cover)
500	691086	Washer (Key Switch)	613B	691114	Screw (Muffler)	689	691855	Spring-Friction
505	691251	Nut (Governor Control Lever)	615	690340	Retainer-Governor Shaft	689A	262625	Spring-Friction
510	795093	Drive-Starter	616	698801	Crank-Governor	692	690572	Spring-Detent
513	692358	Drive-Clutch	617◆◆270344S		Seal-O Ring (Intake Manifold)	697	691127	Screw (Drive Cap)
523	499621	Dipstick	621	692310	Switch-Stop	715	691147	Screw (Stop Shaft)
524	★692296	Seal-Dipstick Tube	627	692872	Bracket-Stop Switch	718	690959	Pin-Locating
525	495265	Tube-Dipstick	633◆◆691321		Seal-Choke/Throttle Shaft	721	690449	Stop-Shaft
529	691923	Grommet	633A◆◆693867		Seal-Choke/Throttle Shaft			
544	690786	Armature-Starter	635	66538S	Boot-Spark Plug			
545	492919	Washer Set (Motor Starter)	635A	792597	Boot-Spark Plug (Screw On Style)			
562	92613	Bolt (Governor Control Lever)			----- Note ----- 793351 Boot-Spark Plug (Snap On Style)			
564	690664	Screw (Control Cover)						
564A	691142	Screw (Control Cover)						

★ Included in Engine Gasket Set-Ref. No.358.

● Included in Carburetor Overhaul Kit-Ref. No. 121.

◆ Included in Carburetor Gasket Set-Ref. No. 977.

⊘ Included in Valve Gasket Set-Ref. No 1095.

Illustrations cover a range of engines. Parts shown without corresponding text may not be used on your specific engine.

0519-16

Assemblies include all parts shown in frames.

06/27/2008

REF. NO.	PART NO.	DESCRIPTION	REF. NO.	PART NO.	DESCRIPTION	REF. NO.	PART NO.	DESCRIPTION
741	795755	Gear-Timing (Plastic) ----- Note ----- 794388 Gear-Timing (Use Without Woodruff Key) (Used After Code Date 07093000). 790345 Gear-Timing (Use Without Woodruff Key) (Used Before Code Date 07100100). 691830 Gear-Timing (Uses Woodruff Key)	802	695267	Cap-End (Used After Code Date 00040600). ----- Note ----- 695975 Cap-End (Used Before Code Date 00040700).	871	262001	Bushing-Valve Guide (Exhaust) ----- Note ----- 63709 Bushing-Valve Guide (Intake)
742	93941	Retainer-E Ring	803	695266	Housing-Starter (Used After Code Date 00040600). ----- Note ----- 695975 Housing- Starter (Used Before Code Date 00040700).	883	★ 691881	Gasket-Exhaust
743	691772	Gear-Drive	832	499034	Guard-Muffler (Used With Super Lo Tone Muffler Tuned)	892	690646	Switch-Key
745	691648	Screw (Brake)	832B	497683	Guard-Muffler (Used With Super Lo Tone Catalyst Muffler)	910	691094	Stud (Alternator)
776	396526	Guide-Rope	836	690664	Screw (Muffler Guard)	921	497233	Cover-Blower Housing
783	691918	Gear-Pinion (Starter Drive) (19 Teeth)	836B	691147	Screw (Muffler Guard)	921A	695886	Cover-Blower Housing
783A	691269	Gear-Pinion (12 Teeth)	842	★ 691031	Seal-O Ring (Dipstick Tube)	921B	692931	Cover-Blower Housing
784	795095	Cover-Starter Gear	843	691884	Sleeve-Lever (Speed Control)	921C	695889	Cover-Blower Housing
785	692352	Gasket-Starter Cover	843A	691895	Sleeve-Lever (Choke)	922	691831	Spring-Brake
789	695551	Harness-Wiring (Used After Code Date 00040600). ----- Note ----- 690790 Harness- Wiring (Used Before Code Date 00040700).	847	692047	Dipstick/Tube Assembly	922A	692135	Spring-Brake
789A	691372	Harness-Wiring (Used Before Code Date 00040700).	851	493880S	Terminal-Spark Plug	923	691994	Brake
789B	696547	Harness-Wiring (Used After Code Date 00040600).	851A	692424	Terminal-Spark Plug	923A	695891	Brake ----- Note ----- 695891 Brake (Used Before Code Date 08050100). Used on Type No(s). 1908.
801	690782	Cap-Drive	853	695268	Adapter-Wire	923B	796136	Brake (Used After Code Date 08043000). Used on Type No(s). 1908.
			868	697338	Seal-Valve	925	795403	Cover-Linkage (Used After Code Date 07072200). ----- Note ----- 690595 Cover- Linkage (Used Before Code Date 07072300).
			869	691155	Seat-Valve (Intake)	930	691919	Guard-Rewind (Round)(Satin Black)
			870	690380	Seat-Valve (Exhaust)	930A	691345	Guard-Rewind (Teardrop)(Satin Black)

★ Included in Engine Gasket Set-Ref. No.358.

● Included in Carburetor Overhaul Kit-Ref. No. 121.

◆ Included in Carburetor Gasket Set-Ref. No. 977.

⊘ Included in Valve Gasket Set-Ref. No 1095.

Illustrations cover a range of engines. Parts shown without corresponding text may not be used on your specific engine.

0519-17

Assemblies include all parts shown in frames.

06/27/2008

127800

REF. NO.	PART NO.	DESCRIPTION	REF. NO.	PART NO.	DESCRIPTION	REF. NO.	PART NO.	DESCRIPTION
935	499421	Switch-Interlock	972B	699374	Tank-Fuel (Plastic)	1059	692311	Kit-Screw/Washer
937	691325	Spline-Starter			----- Note -----			----- Note -----
940	690664	Screw (Casing Clamp Bracket)			699387 Tank-Fuel (Plastic)			696293 Kit-Screw/Washer
946	691738	Stop-Rope			Used on Type No(s). 3165.			Used on Type No(s). 3165.
957	397974S	Cap-Fuel Tank (Plastic)	975	493640	Bowl-Float	1095	498528	Gasket Set-Valve
957B	699985	Cap-Fuel Tank (Plastic)	976	694395	Primer-Carburetor	1119	691648	Screw (Alternator)
958	698183	Valve-Fuel Shut Off (Plastic)	977	498261	Gasket Set-Carburetor	1134	224322	Washer (Pawl Friction Plate)
966A	496116	Base-Air Cleaner Primer	990	691959	Key Set	1160	690345	Screw (Interlock Switch)
967A	493537S	Filter-Pre Cleaner	990A	695951	Key Set	1210	498144	Pulley/Spring Assembly (Pulley)
968B	692298	Cover-Air Cleaner	994	398067	Arrestor-Spark	1211	498144	Pulley/Spring Assembly (Spring)
969	690700	Screw (Blower Housing Cover)	1009	696255	Screw (Starter Motor)	1236	695959	Starter-Mechanical (Touch N Mow) (Do Not Service Individual Parts, Only As A Whole)
969A	691138	Screw (Blower Housing Cover)	1005	691346	Fan-Flywheel	1319	794467	Label-Warning
970	691669	Screw (Air Cleaner Primer Bracket)	1019	494256	Kit-Label	1330	270962	Manual-Repair
					----- Note -----			
					790231 Kit-Label (Touch N Mow)			
			1036		Label-Emissions (Available From A Briggs & Statton Authorized Dealer)			
			1058	277039	Operator's Manual			

★ Included in Engine Gasket Set-Ref. No.358.

● Included in Carburetor Overhaul Kit-Ref. No. 121.

◆ Included in Carburetor Gasket Set-Ref. No. 977.

⊘ Included in Valve Gasket Set-Ref. No 1095.

Illustrations cover a range of engines. Parts shown without corresponding text may not be used on your specific engine.

0519-18

Assemblies include all parts shown in frames.

06/27/2008

Free Manuals Download Website

<http://myh66.com>

<http://usermanuals.us>

<http://www.somanuals.com>

<http://www.4manuals.cc>

<http://www.manual-lib.com>

<http://www.404manual.com>

<http://www.luxmanual.com>

<http://aubethermostatmanual.com>

Golf course search by state

<http://golfingnear.com>

Email search by domain

<http://emailbydomain.com>

Auto manuals search

<http://auto.somanuals.com>

TV manuals search

<http://tv.somanuals.com>