

Installation Instructions

44" Roller Bar Mower Kit

Part No. 1687077

For Conquest / 1700 / 2700 / YT / Broadmoor / 1600 / 2600 / LT

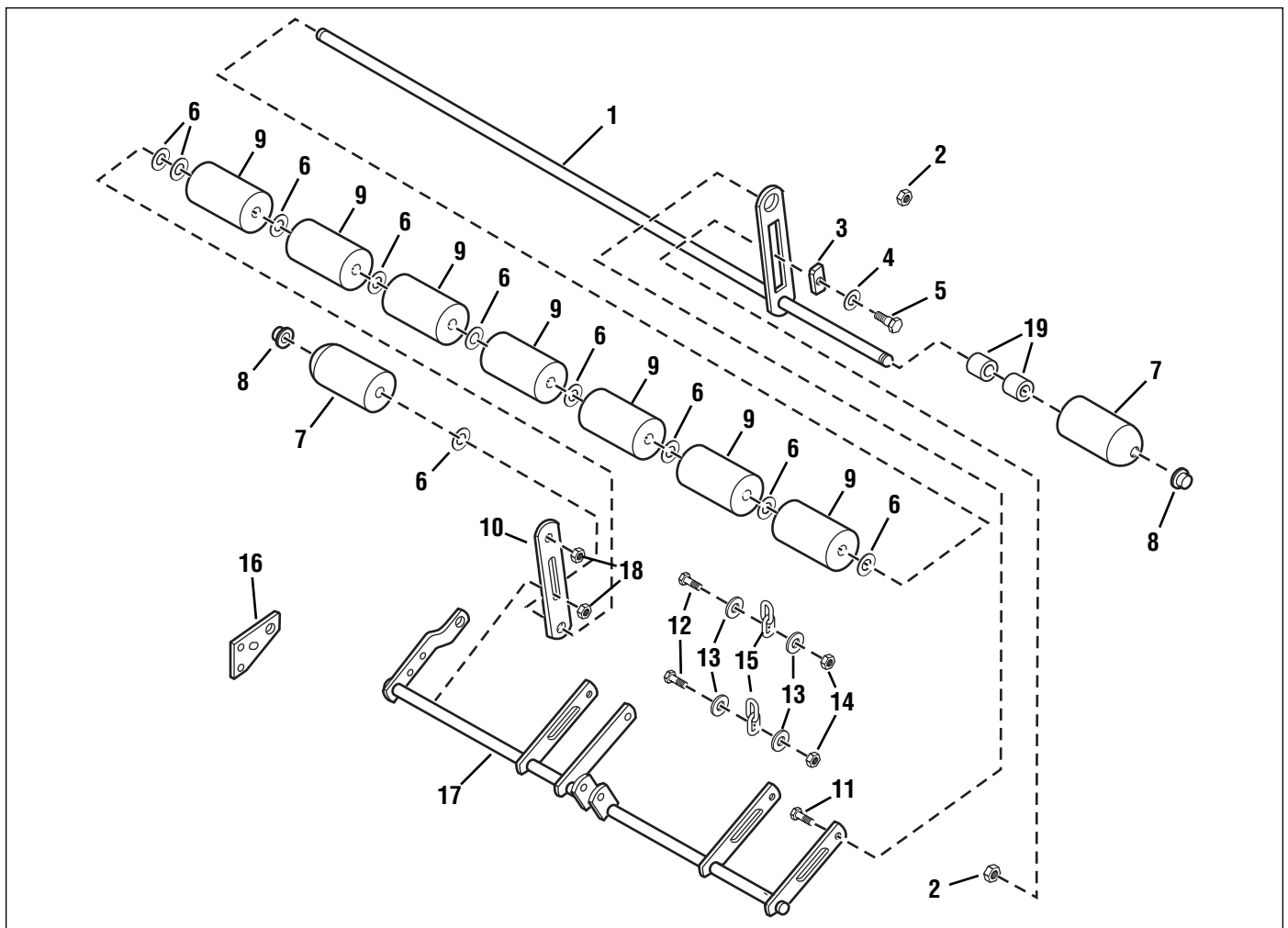


Figure 1. Kit Contents: 1687077

Ref	Part No.	Qty.	Description
1	1716159A	1	ROLLER BAR, 44 Mower
2	2860681	2	LOCKNUT, Top Lock, 3/8-16
3	1677507	1	SLIDE
4	1924361	1	WASHER, 1/2
5	2172622	1	BOLT, Shoulder, 3/8-16 x 11/32
6	1924366	10	WASHER, 5/8
7	1722036	2	ROLLER
8	1960520	2	PUSH NUT, 5/8
9	1668513	7	ROLLER
10	1704074A	1	BAR
11	1931352	1	CARRIAGE BOLT, 3/8-16 x 1-1/2
12	1731383A	2	CAPSCREW, Hex, 5/16-18 x 1-1/2
13	1919381	4	WASHER, 5/16
14	1731384	2	LOCKNUT, ESNA, 5/16-18
15	1731383	2	CHAIN, 2 Link
16	1704080	1	PLATE, Support
17	1733521A	1	ROCKER SHAFT 44 Mower
18	1930644	2	LOCKNUT, 1/2-13
19	1602946	2	SPACER

This kit is is to convert a frame hung mower to a roller bar mower.

WARNING

Before beginning any service work turn off the PTO, set the parking brake, turn off the ignition, and disconnect the spark plug wire(s).

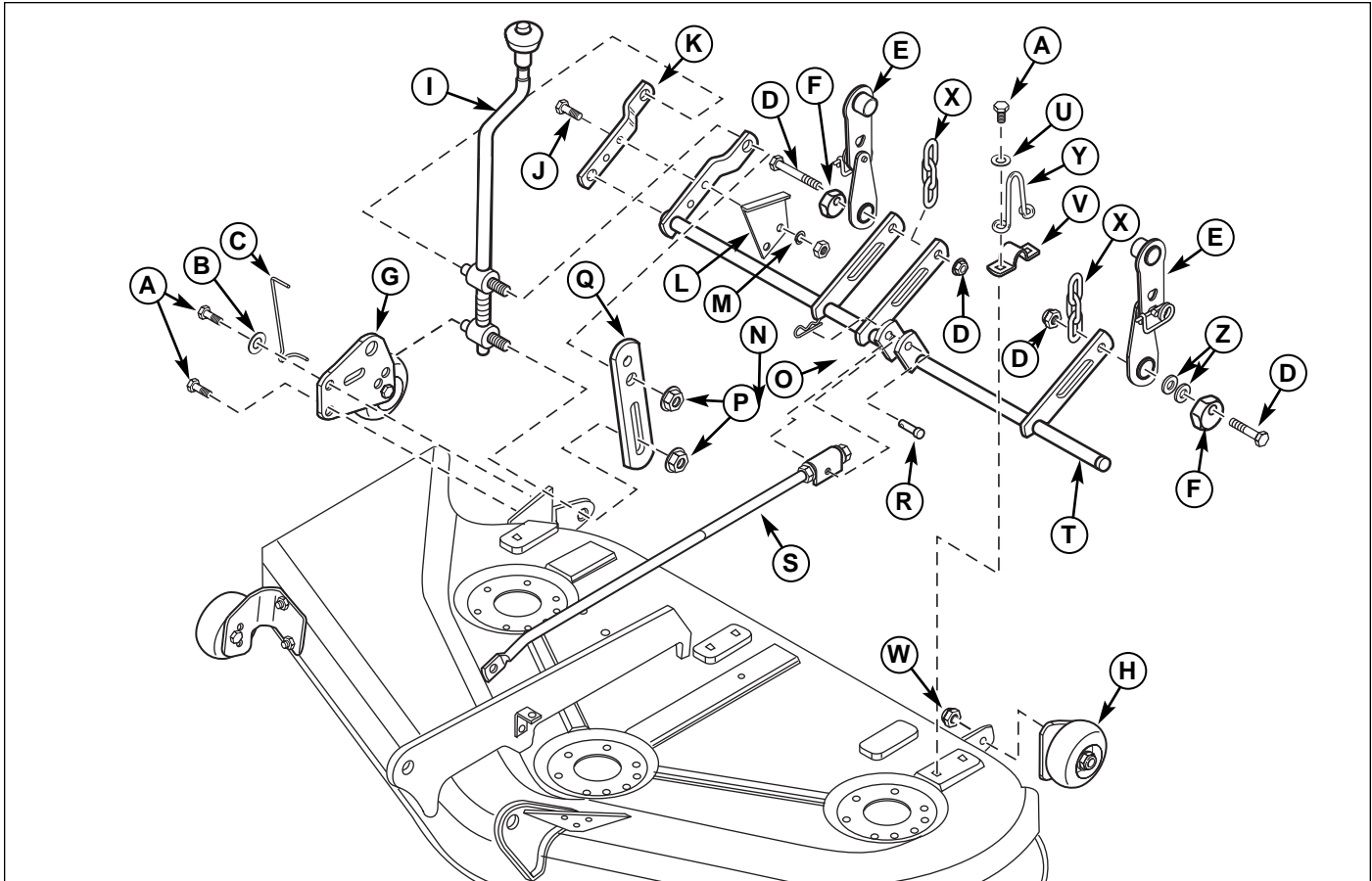


Figure 2. Remove Frame Hung Components

- A. Capscrews, 5/16-18 x 1-1/4
- B. Washer, 5/16
- C. Indicator
- D. Capscrews & Locknuts
- E. Hangers
- F. Eccentric Nuts
- G. Wheel Bracket Plate, RH
- H. Wheel Bracket Plate, LH

- I. Crank & Trunnion Assembly
- J. Capscrews, 5/16-18 x 1-1/4
- K. Arm
- L. Height of Cut Plate
- M. Lockwasher, 5/16
- N. Nut, 5/16-18
- O. Hair Pin
- P. Locknuts, 1/2-13
- Q. Stop, Height Of Cut
- R. Clevis Pin

- S. Adjustment Rod
- T. Rocker Arm Assembly
- U. Washer, 3/8, Small
- V. Strap
- W. Locknut, 3/8-16
- X. Chains, 3 Link
- Y. Upstop
- Z. Washers

REMOVAL 44" FRAME HUNG COMPONENTS

1. Disconnect hair pin (O, Figure 2) and clevis pin (R) from adjustment rod (S). Remove adjustment rod (S) from rocker arm assembly (T). Reconnect hair pin (O) and clevis pin (R) into adjustment rod (S) to prevent loss.
2. Remove and retain 5/16-18 x 1-1/4 capscrews (A), washer (B) and indicator (C). Remove and discard wheel bracket (G).
3. Remove and retain 5/16-18 x 1-1/4 capscrews (J), arm (K) and crank & trunnion assembly (I). Remove and retain nut (N), lockwasher (M) and height of cut plate (L).
4. Remove and discard 1/2-13 locknuts (P), stop (Q).
5. Remove and discard locknut (W) and wheel bracket (H).
6. Remove and discard capscrew & nuts (D), washers (Z), hangers (E). Retain the chains (X) and one of the eccentric nuts (F).
6. Remove and retain straps (V), upstop (Z), washers (U), and capscrews (A). Remove and discard rocker arm assembly (T).

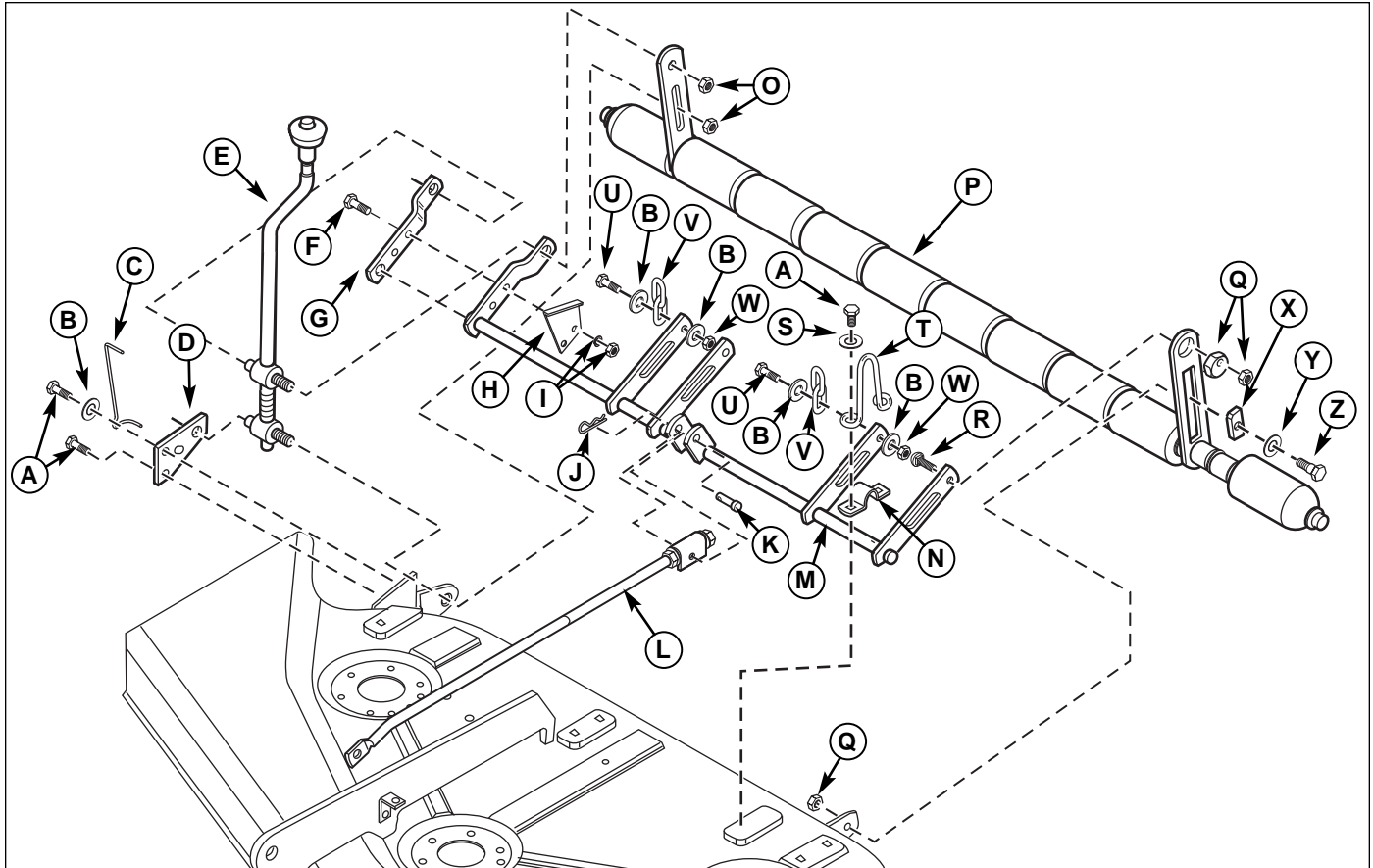


Figure 3. Installation 44" Rollers

- A. Capscrews, 5/16-18 x 1-1/4
- B. Washer, Large, 5/16
- C. Indicator
- D. Mower Support Plate
- E. Crank & Trunnion Assembly
- F. Capscrew, 5/16-18 x 1-1/4
- G. Arm
- H. Height of Cut Plate

- I. Nut & Lockwasher
- J. Hair Pin
- K. Clevis Pin
- L. Adjustment Rod
- M. Rocker Arm Assembly
- N. Straps
- O. Locknuts, 1/2-13
- P. Roller Bar Assembly
- Q. Eccentric & Locknut, 3/8-16

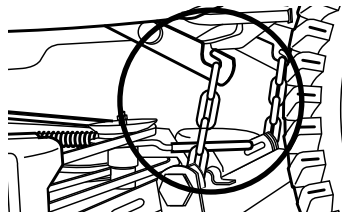
- R. Carriage Bolt, 3/8-16 x 1-1/2
- S. Washer, Small, 5/16
- T. Upstop
- U. Capscrew, 5/16-18 x 1-1/2
- V. Chain, 2 Link
- W. Locknut, 5/16-18
- X. Slide
- Y. Washer, 1/2
- Z. Shoulder Bolt, 3/8-16 x 1-11/32

INSTALLATION 44" ROLLERS

1. Attach the rocker arm assembly (M, Figure 3) to the mower deck with the straps (N), washers (S), upstop (T), and capscrews (A). Apply a thin film of grease to the inside of the straps.
2. Attach the chains (V) to the rocker arm assembly (M) using 5/16-18 x 1-1/2 capscrews (U), washers (Y), and 5/16-18 locknuts (W) as shown.
3. Place upper trunnion on crank & trunnion assembly (E) through hole in rocker arm assembly (M) and roller bar assembly (P) as shown. Secure with 1/2-13 locknut (O).
4. Place lower trunnion on crank & trunnion assembly (C) through hole in mower deck and roller bar assembly (P) as shown. Secure with 1/2-13 locknut (O).
5. Connect the LH side roller bar assembly (P) to LH side of rocker arm assembly (M) securing with 3/8-16 x 1-1/2 carriage bolt (R) and eccentric & 3/8-16 locknut (Q).
6. Connect the LH side roller bar assembly (P) to LH side of mower deck securing with 3/8-16 x 1-11/32 shoulder bolt (Z), 1/2 washer (Y), slide (X), and 3/8-16 locknut (Q).
7. Attach height of cut plate (H) to rocker arm assembly (M). Secure with 5/16-18 x 1-1/4 capscrews (F) and nuts & washers (I).
8. Attach the mower support plate (D) and indicator (C) to mower deck. Secure with 5/16 washer (B) and 5/16-18 x 1-1/4 capscrews (A).
9. Attach adjustment rod (L) to rocker arm assembly (M) using clevis pin (K) and hair pin (J).

MOWER DECK REMOVAL & INSTALLATION

Chain Lift Models



⚠️ WARNING

Engage parking brake, disengage PTO, stop engine and remove key before attempting to install or remove the mower.

Muffler and surrounding areas may be hot.

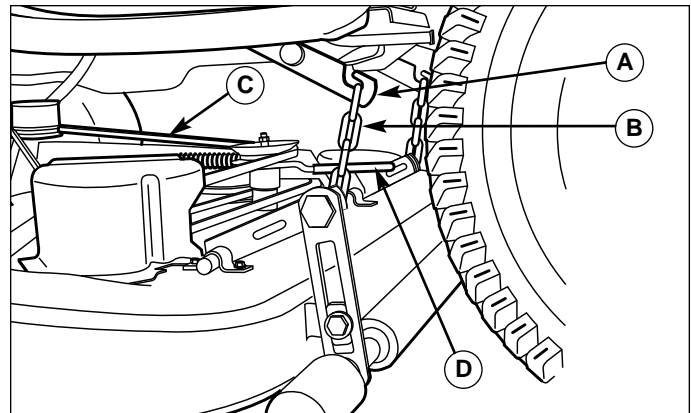


Figure 4. Mower Lift

A. Lift Hook
B. Lift Chain

C. PTO Belt
D. Idler Arm

Removing the Mower Deck

1. Park the tractor, fully lower the attachment lift, turn off the PTO, turn off the engine, remove the key, and engage the parking brake. If equipped, pivot the gauge wheels into sliding position.
2. Place mower in the lowest cutting position using the mower height control.
3. Use the idler arm (D, Figure 4) to release tension on the PTO belt, and remove belt from the PTO pulley.
4. Pull down on the lift hooks (A, Figure 4) and unhook

⚠️ CAUTION

The muffler and surrounding areas may be hot.

- the lift chains (B).
5. Turn the wheels straight ahead. Pull back on spring-loaded lever (B, Figure 5) and lift mower hitch off of the tractor brackets (A).
6. Turn wheels fully left, and slide mower deck out from under the right side of the tractor.

Installing the Mower Deck

NOTE: Perform mower installation on a hard, level surface such as a concrete floor.

1. Park the tractor, fully lower the attachment lift, turn off the PTO switch, turn off the engine, remove the key, and engage the parking brake. Turn the wheels fully to the left.
2. Place mower in the lowest cutting position using the mower height adjuster. Slide the mower deck under the right side of tractor so that the mower hitch is aligned with front tractor hitch (A, Figure 5).
3. See Figure 5. Turn wheels straight. Pull back on the spring-loaded lever (B) while lifting up on the mower hitch. Install the mower hitch onto tractor hitch brackets (A). When properly installed, the spring-loaded lever should seat fully underneath the brackets (A).
4. See Figure 4. Connect the mower lift chains (B) to the the tractor lift hooks (A).

NOTE 50" & 54" Mowers: The two-link lift chain is bolted to the mower deck using the second link. This is correct for most mowing applications.

5. See Figure 4. From left side of tractor, use the idler arm (D) to relieve belt tension. Install belt (C) onto the PTO pulley.

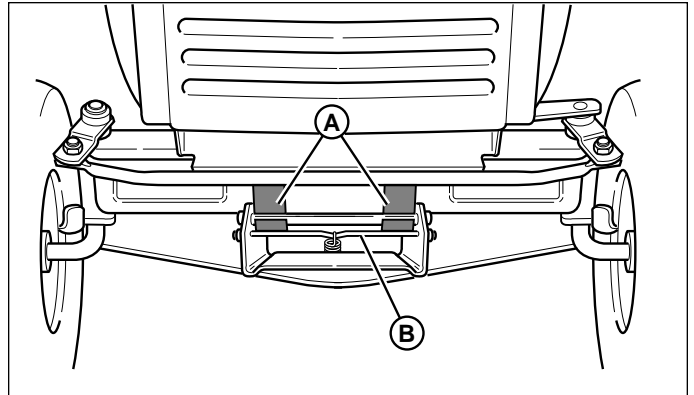


Figure 5. Mower Hitch
A. Tractor Hitch Brackets
B. Spring-Loaded Lever

Leveling The Mower

If the cut is uneven, the mower may need leveling. Unequal or improper tire pressure may also cause an uneven cut. Make sure tire pressure is correct as specified in Checking Tire Pressure.

SIDE-TO-SIDE LEVELING

1. With the mower installed, place the tractor on a smooth, level surface such as a concrete floor. Turn the front wheels straight forward.
2. Check for bent blades and replace if necessary.
3. Place the mower in mid-cut position. Arrange the outside mower blades so that they are pointing from side-to-side.
4. Measure the distance between the outside tips of each blade and the ground. If there is more than 1/8" (3mm) difference between the measurements on each side, proceed to step 5. If the difference is 1/8" (3mm) or less, proceed to step 6.

ECCENTRIC NUT MODELS

5. See Figure 8. Loosen the outside nut (A). Turn the eccentric nut (B) to raise or lower left-hand side of mower. When mower is level, hold the eccentric nut while tightening the outside nut.

NOTE: 44", 50", & 54" Mowers. When using a turbo collection system, raise the discharge side of the mower approximately 1/4" (6mm) to compensate for turbo assembly weight. Check the level of the cut grass and adjust the 1/4" (6mm) measurement as necessary for a smooth, even cut.

FRONT-TO-BACK LEVELING

NOTE: 54" mowers have two adjustment rods that should be adjusted simultaneously.

6. Arrange the blades so they face front-to-back.
7. Measure the distance from the ground to the front tip of the center blade, and from the ground to rear tips of left-hand and right-hand blades.
Front tip of the center blade should be 1/4" (6mm) higher than rear tips of left-hand and right-hand blades. If not, proceed with steps 8 - 9.
8. To raise front of mower deck, loosen front nut (B) and turn rear nut (A, Figure 10) against bracket. To lower front of mower deck, loosen rear nut (A) and the bracket will move backwards to lengthen rod.

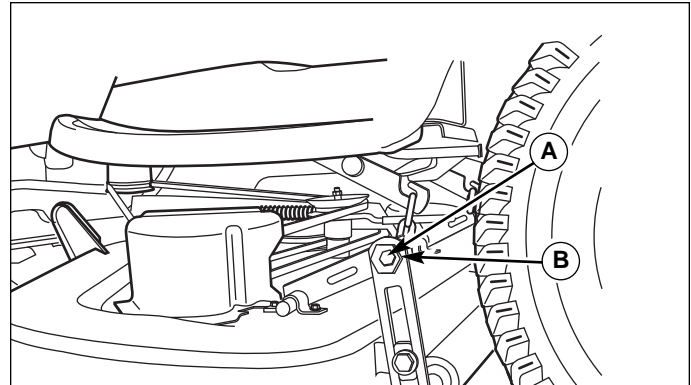


Figure 8. Leveling The Mower Side-to-Side Eccentric Nut Models

A. Outside Nut

B. Eccentric Nut

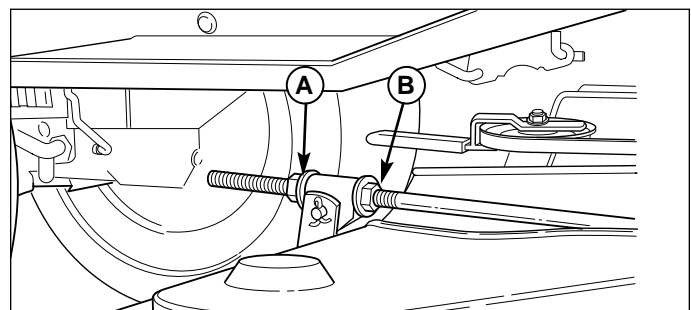


Figure 10. Front to Back Leveling

A. Rear Nut

B. Front Nut

9. Re-check the blade measurement then tighten the front nut (B) against the bracket to secure.

Simplicity

MANUFACTURING, INC.

500 N Spring Street / PO Box 997
Port Washington, WI 53074-0997 USA

Form No. 1727716

Revision:02

TP 200-4144-02-SK-SMAN

Briggs & Stratton Yard Power Products Group
Copyright © 2007 Briggs & Stratton Corporation
Milwaukee, WI USA. All Rights Reserved

Free Manuals Download Website

<http://myh66.com>

<http://usermanuals.us>

<http://www.somanuals.com>

<http://www.4manuals.cc>

<http://www.manual-lib.com>

<http://www.404manual.com>

<http://www.luxmanual.com>

<http://aubethermostatmanual.com>

Golf course search by state

<http://golfingnear.com>

Email search by domain

<http://emailbydomain.com>

Auto manuals search

<http://auto.somanuals.com>

TV manuals search

<http://tv.somanuals.com>