

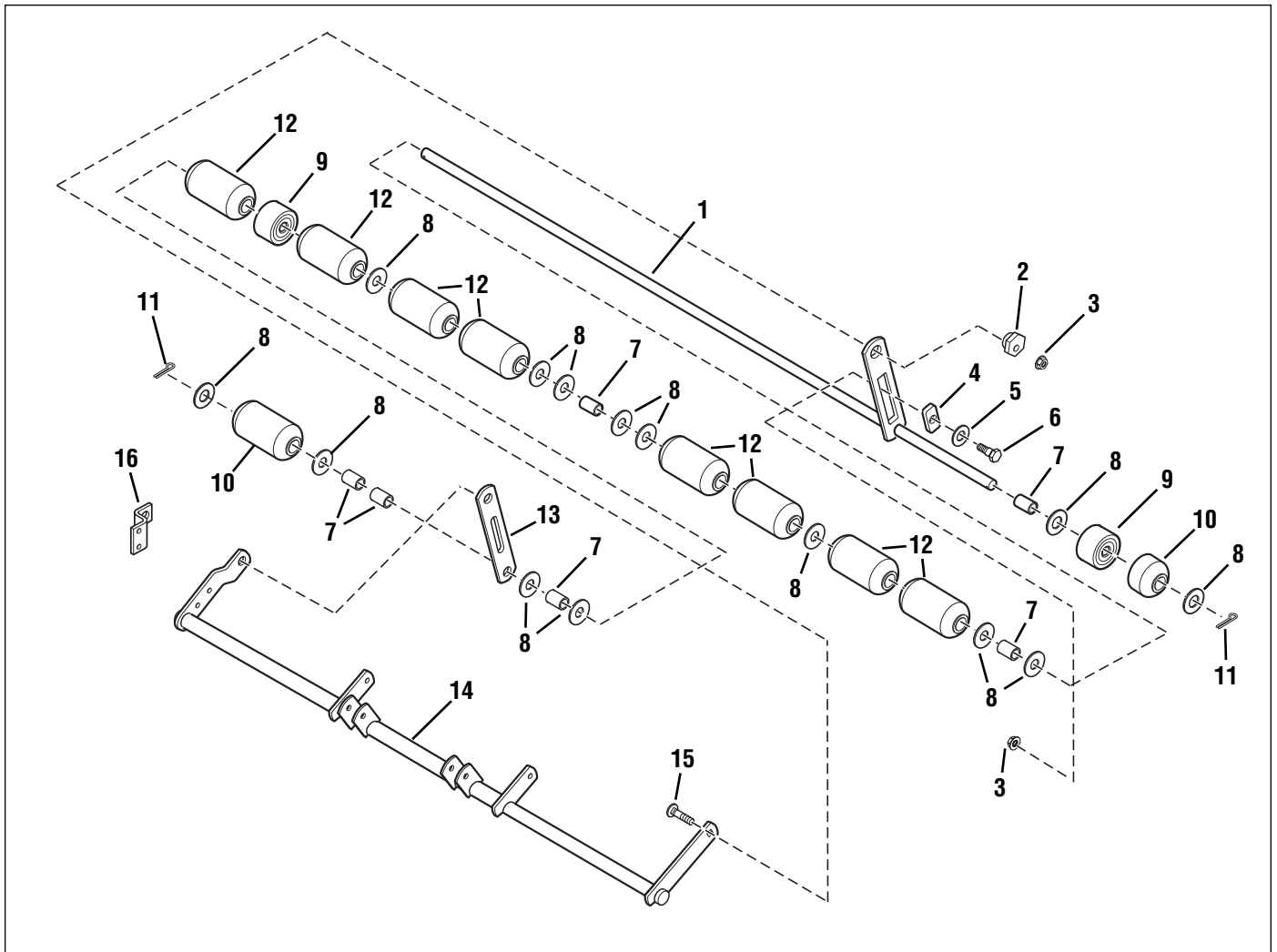
# Installation

# 54" Roller Bar Mower Kit

Part No. 1687079

# Instructions

For Prestige / 1800 / 2800 / GT / Conquest / 1700 / 2700 / YT



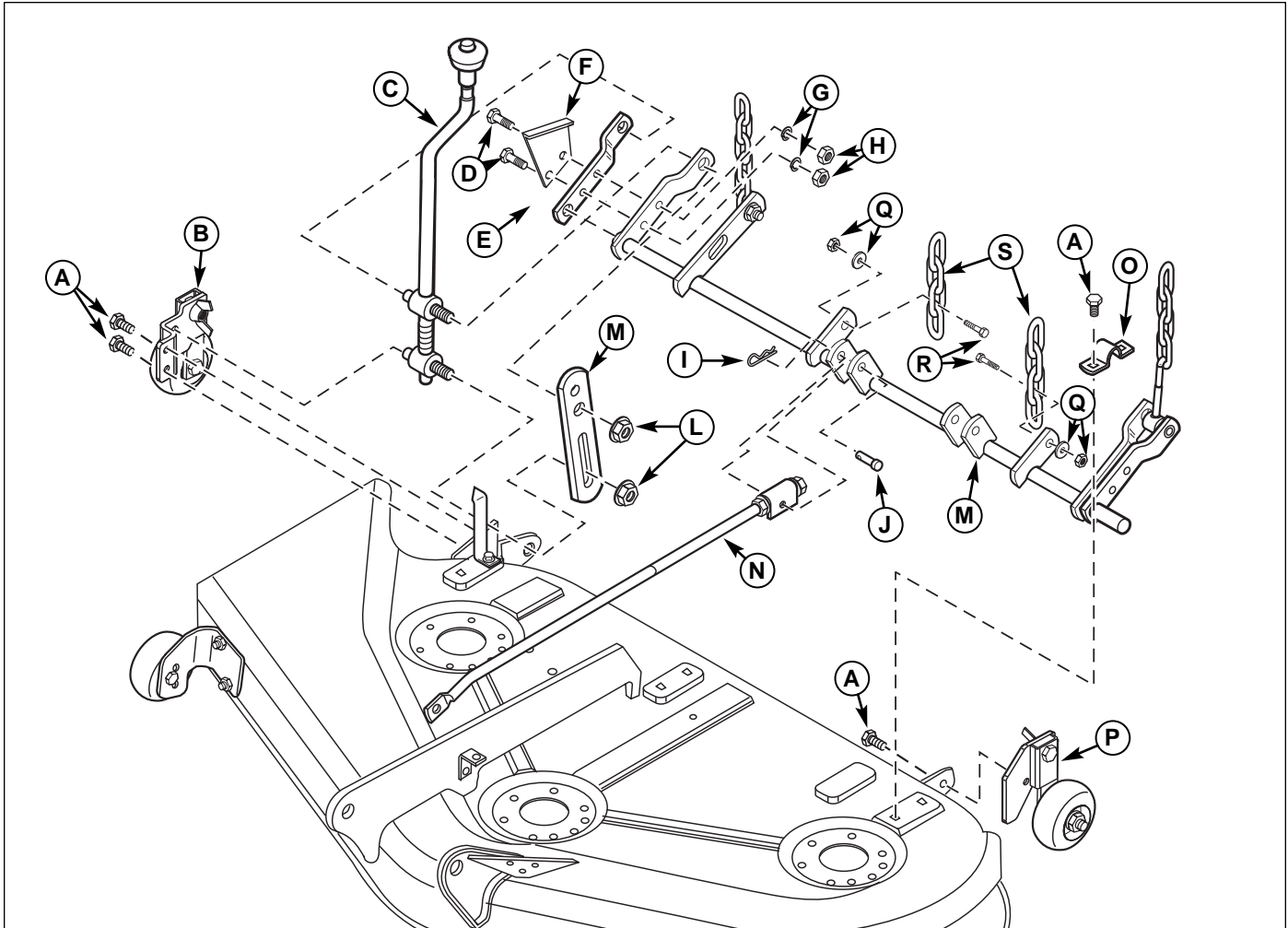
### Kit Contents: 1687079, 54" Roller Bar

Ref	Part No.	Qty.	Description
1	1723008A	1	SHAFT & BAR ASSEMBLY
2	1704082	1	NUT, Hex Adjusting
3	2860681	2	LOCKNUTS, Top Lock, 3/8-16
4	1677507	1	SLIDE
5	1924361	1	WASHER, 1/2
6	2172622	1	BOLT, Shoulder, 3/8-16
7	1701873	6	SPACERS
8	2860626	14	WASHERS
9	1720159	2	ROLLERS, 2-3/4 x 2
10	1678043	2	ROLLERS, 2-3/4 x 4-1/16
11	1918459	2	COTTER, Pins
12	1678042	8	ROLLER W/BUSHINGS
13	1723009	1	BAR
14	1733523A	1	ROCKER ARM, 54 Mower
15	1931352	1	CARRIAGE BOLT, 3/8-16 x 1-1/2
16	1720142A	1	TRUNNION SUPPORT

This kit is is to convert a frame hung mower to a roller bar mower.

## WARNING

Before beginning any service work turn off the PTO, set the parking brake, turn off the ignition, and disconnect the spark plug wire(s).



**Figure 2. Remove Frame Hung Components**

- |  |                                 |  |
|--|---------------------------------|--|
| <b>A.</b> Capscrew, 5/16-18 x 3/4      | <b>F.</b> Height of Cut Plate   | <b>M.</b> Stop, Height of Cut          |
| <b>B.</b> Bracket & Wheel Assembly, RH | <b>G.</b> Lockwashers, 5/16     | <b>N.</b> Adjustment Rods              |
| <b>C.</b> Trunnion Assembly            | <b>H.</b> Nuts, 5/16-18         | <b>O.</b> Straps                       |
| <b>D.</b> Capscrews, 5/16-18 x 1-1/4   | <b>I.</b> Hair Pins             | <b>P.</b> Bracket & Wheel Assembly, LH |
| <b>E.</b> Arm                          | <b>J.</b> Clevis Pins           | <b>Q.</b> Locknuts, & Washers          |
|  | <b>K.</b> Rocker Shaft Assembly | <b>R.</b> Capscrews, 5/16-18 x 1-1/2   |
|  | <b>L.</b> Locknut, 1/2-13       | <b>S.</b> Chains, 4 Link               |

## REMOVAL 54" FRAME HUNG

1. Disconnect hair pins (I, Figure 2) and clevis pins (J) from adjustment rods (N). Remove adjustment rods (N) from rocker arm assembly (M). Reconnect hair pins (I) and clevis pins (J) into adjustment rods (N) to prevent loss.
2. Remove and retain 5/16-18 x 1-1/4 cap screws (A). Remove and bracket (B).
3. Remove and retain 5/16-18 x 1-1/4 cap screws (D), arm (E) and crank & trunnion assembly (C). Remove and retain nuts (H), lockwashers (G) and height of cut plate (F).
4. Remove and retain nuts (L). Remove and discard stop (M).
5. Remove and retain straps (O) cap screws (A). Remove and discard rocker arm assembly (K).
6. Remove and retain 5/16-18 x 1-1/2 cap screws (R) locknuts & washers (Q), and chains (S).

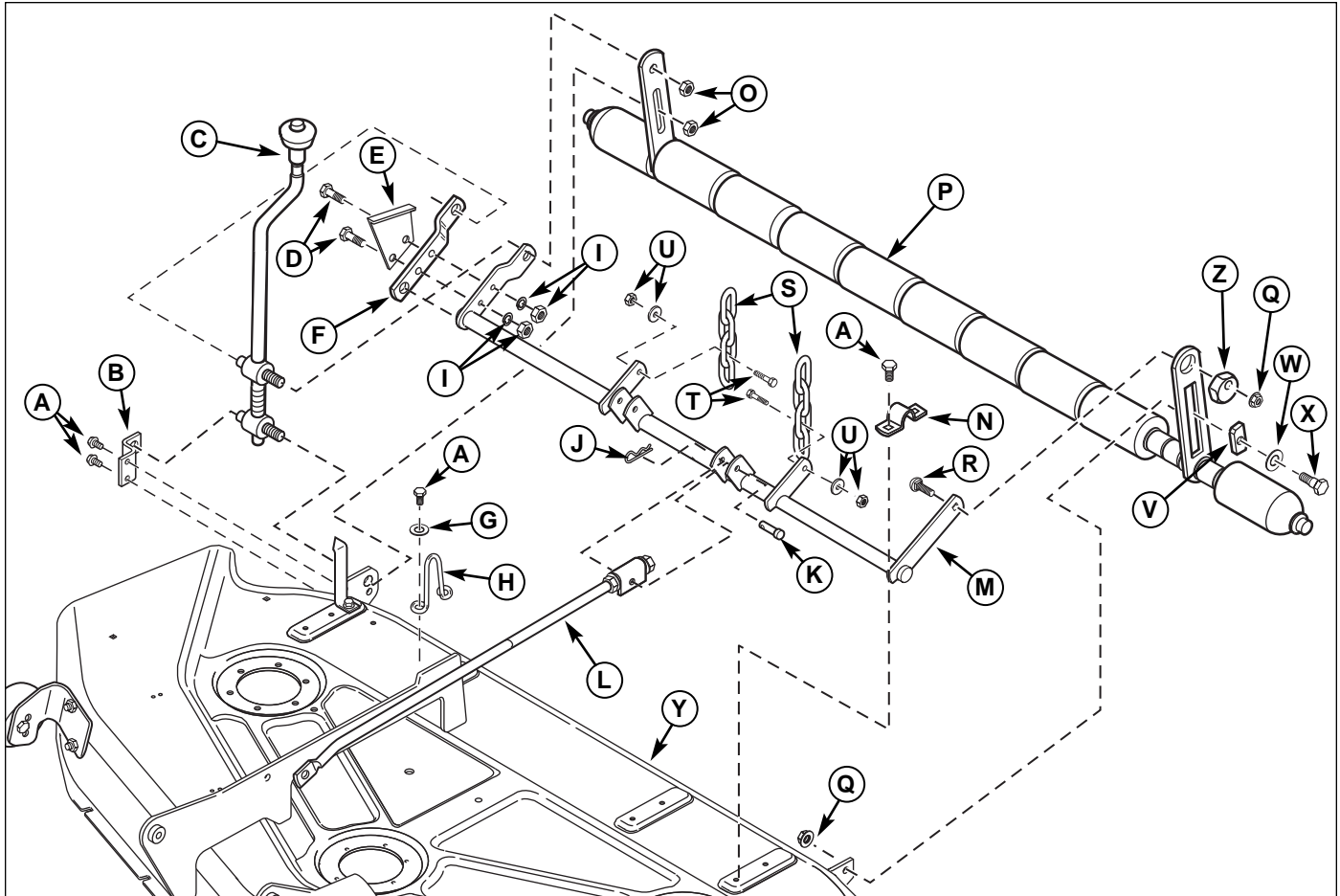


Figure 3. Install 54" Roller Bar

- |   |   |  |
|---|---|--|
| <p><b>A.</b> Capscrews, 5/16-18 x 3/4 (Existing)</p> <p><b>B.</b> Trunnion Support (New)</p> <p><b>C.</b> Crank &amp; Trunnion Assembly (Existing)</p> <p><b>D.</b> Capscrews, 5/16-18 x 1-1/4 (Existing)</p> <p><b>E.</b> Height of Cut Plate (Existing)</p> <p><b>F.</b> Arm (Existing)</p> <p><b>G.</b> Washer, 5/16 (Existing)</p> <p><b>H.</b> Upstop (Existing)</p> | <p><b>I.</b> Nuts, 5/16-18 &amp; Lockwashers (Existing)</p> <p><b>J.</b> Hair Pins (Existing)</p> <p><b>K.</b> Clevis Pins (Existing)</p> <p><b>L.</b> Adjustment Rods (Existing)</p> <p><b>M.</b> Rocker Arm Assembly (New)</p> <p><b>N.</b> Straps (Existing)</p> <p><b>O.</b> Locknuts, 1/2-13 (Existing)</p> <p><b>P.</b> Roller Bar Assembly (New)</p> <p><b>Q.</b> Locknut, 3/8-16 (New)</p> <p><b>R.</b> Carriage Bolt, 3/8-16 x 1-1/2 (New)</p> | <p><b>S.</b> Chains, 4 Link (Existing)</p> <p><b>T.</b> Capscrews, 5/16-18 x 1-1/2 (Existing)</p> <p><b>U.</b> Locknuts, &amp; Washers (Existing)</p> <p><b>V.</b> Slide (New)</p> <p><b>W.</b> Washer, 1/2 (New)</p> <p><b>X.</b> Shoulder Bolt, 3/8-16 x 1-11/32 (New)</p> <p><b>Y.</b> Mower Deck (Existing)</p> <p><b>Z.</b> Eccentric Nut (New)</p> |
|---|---|--|

### INSTALL 54" ROLLER BAR

1. Attach the rocker arm assembly (M, Figure 3) to the mower deck (Y) with the straps (N) and capscrews (A). Apply a thin film of grease to the inside of the straps.
2. Attach the chains (S) to the rocker arm assembly (M) using 5/16-18 x 1-1/2 capscrews (T), 5/16-18 locknuts & washers (O) as shown.
3. Place upper trunnion on crank & trunnion assembly (C) through hole in rocker arm assembly (M) and roller bar assembly (P) as shown. Secure with 1/2-13 locknut (O).
4. Place lower trunnion on crank & trunnion assembly (C) through hole in mower deck (Y) roller bar assembly (P) as shown. Secure with 1/2-13 locknut (O).
5. Connect the LH side roller bar assembly (P) to LH side of rocker arm assembly (M) securing with 3/8-16 x 1-1/2 carriage bolt (R), eccentric nut (Z) and 3/8-16 locknut (Q).

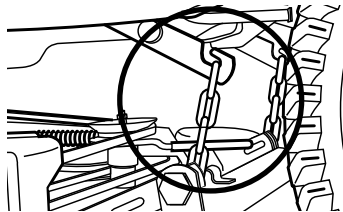
*Note: The four-link lift chain is bolted to the mower deck using the third link. This is correct for most mowing applications. If mowing ditches or other surfaces that require the mower to travel below its normal range, use the fourth link.*

6. Connect the LH side roller bar assembly (P) to LH side of mower deck (Y) securing with 3/8-16 x 1-11/32 shoulder bolt (X), 1/2 washer (W), slide (V), and 3/8-16 locknut (Q).
7. Attach height of cut plate (E) and arm (F) to rocker arm assembly (M). Secure with 5/16-18 x 1-1/4 cap-screws (D) and 5/16-18 nuts & washers (I).
8. Attach the trunnion support (B) to mower deck (Z). Secure with 5/16-18 x 3/4 capscrews (A).
9. Attach the upstops (H) to mower deck (Z). Secure with 5/16-18 x 3/4 capscrews (A) and washers (G).
10. Attach adjustment rod (L) to rocker arm assembly (M) using clevis pin (K) and hair pin (J).

Refer to the Mower Deck Removal & Installation section in these instructions to install and level mower deck. Retain these instructions as a supplement to the original Operator's Manual.

## MOWER DECK REMOVAL & INSTALLATION

### Chain Lift Models



### **⚠️ WARNING**

Engage parking brake, disengage PTO, stop engine and remove key before attempting to install or remove the mower.

Muffler and surrounding areas may be hot.

### Removing the Mower Deck

1. Park the tractor, fully lower the attachment lift, turn off the PTO, turn off the engine, remove the key, and engage the parking brake. If equipped, pivot the gauge wheels into sliding position (see Figure 4).
2. Place mower in the lowest cutting position using the mower height control.
3. Use the idler arm (D, Figure 5) to release tension on the PTO belt, and remove belt from the PTO pulley.
4. Pull down on the lift hooks (A, Figure 5) and unhook the lift chains (B).

### **⚠️ CAUTION**

The muffler and surrounding areas may be hot.

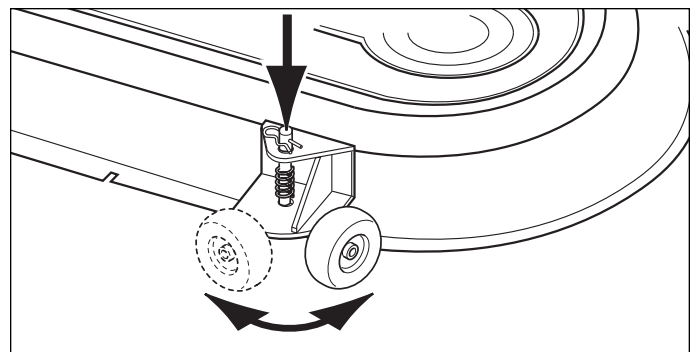


Figure 4. Pivoting Gauge Wheels - Select Models

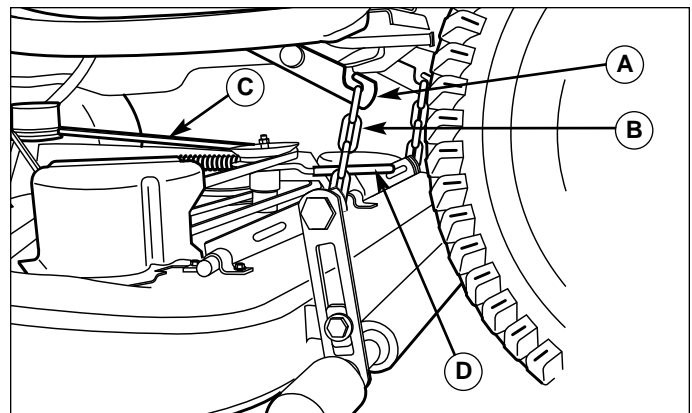


Figure 5. Mower Lift

- |               |              |
|---------------|--------------|
| A. Lift Hook  | C. PTO Belt  |
| B. Lift Chain | D. Idler Arm |

5. Turn the wheels straight ahead. Pull back on spring-loaded lever (B, Figure 6) and lift mower hitch off of the tractor brackets (A).
6. Turn wheels fully left, and slide mower deck out from under the right side of the tractor.

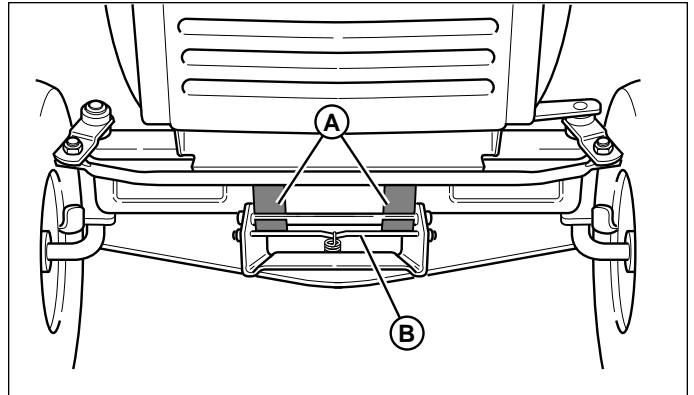
### Installing the Mower Deck

*NOTE: Perform mower installation on a hard, level surface such as a concrete floor.*

1. Park the tractor, fully lower the attachment lift, turn off the PTO switch, turn off the engine, remove the key, and engage the parking brake. Turn the wheels fully to the left.
2. Place mower in the lowest cutting position using the mower height adjuster. Slide the mower deck under the right side of tractor so that the mower hitch is aligned with front tractor hitch (A, Figure 6).
3. See Figure 6. Turn wheels straight. Pull back on the spring-loaded lever (B) while lifting up on the mower hitch. Install the mower hitch onto tractor hitch brackets (A). When properly installed, the spring-loaded lever should seat fully underneath the brackets (A).
4. See Figure 5. Connect the mower lift chains (B) to the the tractor lift hooks (A).

*NOTE 50" & 54" Mowers: The four-link lift chain is bolted to the mower deck using the third link. This is correct for most mowing applications. If mowing ditches or other surfaces that require the mower to travel below its normal range, use the fourth link.*

5. See Figure 5. From left side of tractor, use the idler arm (D) to relieve belt tension. Install belt (C) onto the PTO pulley.
6. If equipped, raise the attachment lift and rotate the front gauge wheels (Figure 4) into cutting position.



**Figure 6. Mower Hitch**  
**A. Tractor Hitch Brackets**  
**B. Spring-Loaded Lever**

## Leveling The Mower

If the cut is uneven, the mower may need leveling. Unequal or improper tire pressure may also cause an uneven cut. Make sure tire pressure is correct as specified in Checking Tire Pressure.

### SIDE-TO-SIDE LEVELING

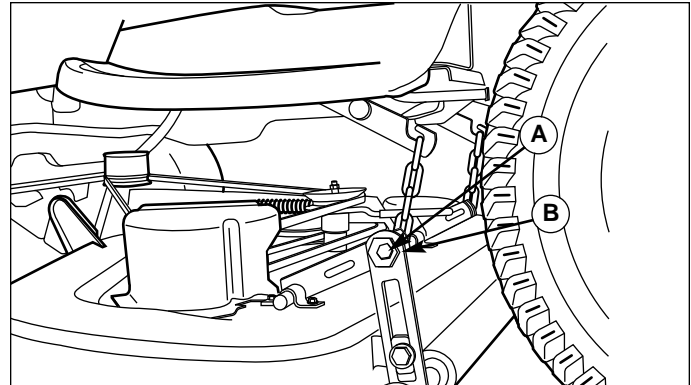
1. With the mower installed, place the tractor on a smooth, level surface such as a concrete floor. Turn the front wheels straight forward.
2. Check for bent blades and replace if necessary.
3. Place the mower in mid-cut position. Arrange the outside mower blades so that they are pointing from side-to-side.
4. Measure the distance between the outside tips of each blade and the ground. If there is more than 1/8" (3mm) difference between the measurements on each side, proceed to step 5. If the difference is 1/8" (3mm) or less, proceed to step 6.
5. See Figure 7. Loosen the outside nut (A). Turn the eccentric nut (B) to raise or lower left-hand side of mower. When mower is level, hold the eccentric nut while tightening the outside nut.

**NOTE:** 44", 50", & 54" Mowers. When using a turbo collection system, raise the discharge side of the mower approximately 1/4" (6mm) to compensate for turbo assembly weight. Check the level of the cut grass and adjust the 1/4" (6mm) measurement as necessary for a smooth, even cut.

### FRONT-TO-BACK LEVELING

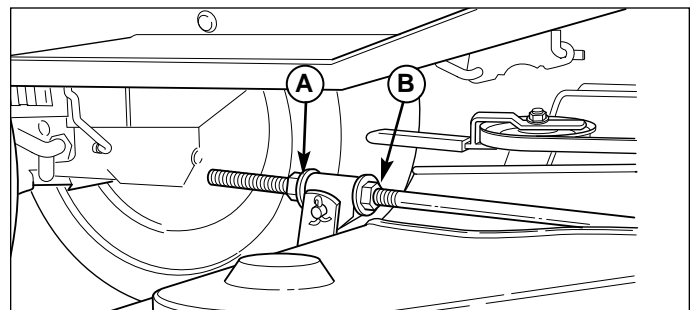
**NOTE:** 54" mowers have two adjustment rods that should be adjusted simultaneously.

6. Arrange the blades so they face front-to-back.
7. Measure the distance from the ground to the front tip of the center blade, and from the ground to rear tips of left-hand and right-hand blades. Front tip of the center blade should be 1/4" (6mm) higher than rear tips of left-hand and right-hand blades. If not, proceed with steps 8 - 9.
8. To raise front of mower deck, loosen front nut (B) and turn rear nut (A, Figure 8) against bracket. To lower front of mower deck, loosen rear nut (A) and the bracket will move backwards to lengthen rod.
9. Re-check the blade measurement then tighten the front nut (B) against the bracket to secure.



**Figure 7. Leveling The Mower Side-to-Side Eccentric Nut Models**

**A. Outside Nut**  
**B. Eccentric Nut**



**Figure 8. Front to Back Leveling**

**A. Rear Nut**                      **B. Front Nut**

**Simplicity**

MANUFACTURING, INC.

500 N Spring Street / PO Box 997  
Port Washington, WI 53074-0997 USA

Form No. 1729601

Revision:01

TP 200-4191-01-SK-SMAN

Briggs & Stratton Yard Power Products Group  
Copyright © 2007 Briggs & Stratton Corporation  
Milwaukee, WI USA. All Rights Reserved

## Free Manuals Download Website

<http://myh66.com>

<http://usermanuals.us>

<http://www.somanuals.com>

<http://www.4manuals.cc>

<http://www.manual-lib.com>

<http://www.404manual.com>

<http://www.luxmanual.com>

<http://aubethermostatmanual.com>

Golf course search by state

<http://golfingnear.com>

Email search by domain

<http://emailbydomain.com>

Auto manuals search

<http://auto.somanuals.com>

TV manuals search

<http://tv.somanuals.com>