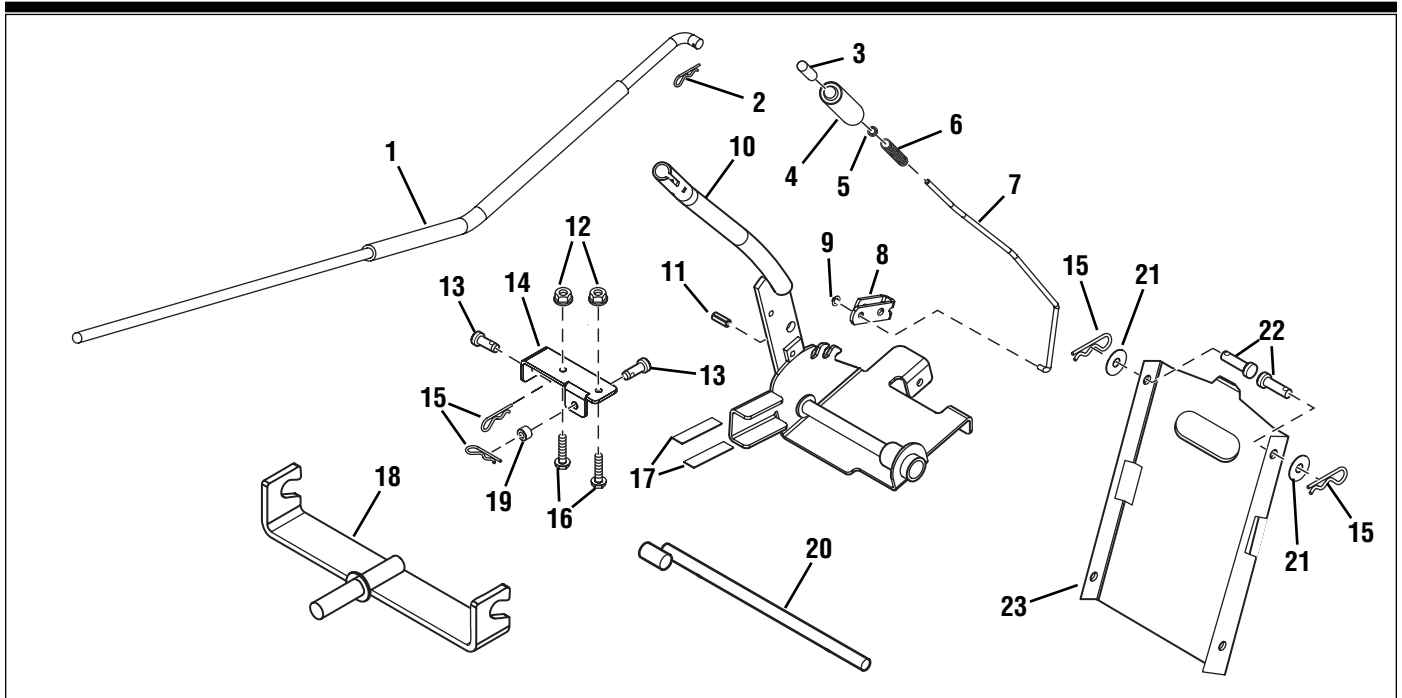


Installation Instructions

Lift Lever Kit Mfg. No. 1694561

For Baron / 2400 / RD Series



Kit Contents:

Ref	Part No.	Qty.	Description
1	1725959A	1	ROD & TUBE ASSEMBLY
2	1960033	1	CLIP, Hair Pin
3	1723124	1	BUTTON, Red
4	1713995	1	GRIP, Soft, Black
5	1960674	1	PUSH NUT, 1/4
6	1723321	1	SPRING, Compression
7	1725958	1	ROD, Latch
8	1721999A	1	LATCH, Lift Lever
9	1960126	1	PUSH NUT, 1/4
10	1727441A	1	LEVER ASSEMBLY
11	1927609	1	PIN, 3/8 x 1
12	1931277	2	NUT, Hex, Flange Whiz Lock, 5/16-18
13	1708298	2	PIN, Round Head, Drilled, 3/8 x 1
14	1732511A	1	BRACKET, Mounting
15	1960074	4	CLIP, Hair Pin
16	1960585	2	CAPSCREW, Hex, 5/16-18 x 1-3/4
17	1725957	2	PAD, Rubber
18	1732510A	1	SUPPORT PLATE
19	2157081	1	SPACER
20	1733693	1	LIFT SHAFT ASSEMBLY
21	1919381	2	WASHER, .34 x 1 x .13
22	1723683	2	PIN, CLEVIS
23	1724638	1	GUARD ASSY, DEFLECTOR

Figure 1. Contents

This kit adds a lift lever for front mounted attachments.



WARNING

Before beginning any service work turn off the PTO, set the parking brake, turn off the ignition, and disconnect the spark plug wire(s).

LIFT LEVER KIT FITS ON BARON / 2400 / RD

Product Number	Serial Number Range
1694328	All
1694329	All
1694346	All
1694347	All
1694384	All
1694315	00001-00999
1694481	00001-00999
1694482	00001-00999
1694483	00001-00999
1694484	00001-00999
1694485	00001-00999
1694504	00001-00999

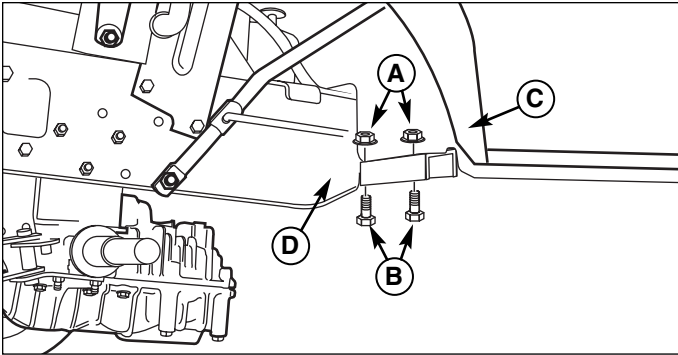


Figure 2. Capscrew Removal
A. Nuts, 5/16-18 **C. Right Rear Seat Deck**
B. Capscrews, 5/16-18 x 3/4 **D. Frame**

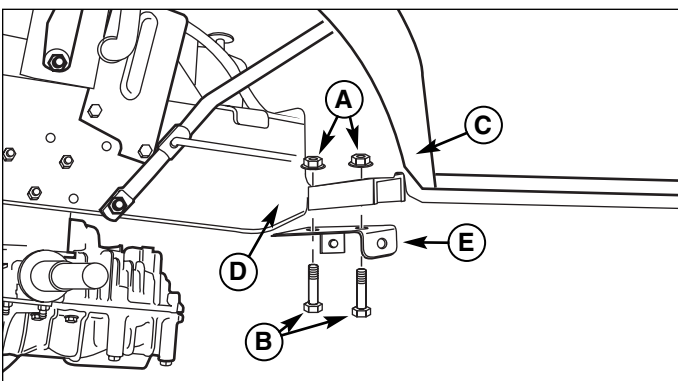


Figure 3. Bracket installation
A. Nuts, 5/16-18 (Existing) **C. Right Rear Seat Deck**
B. Capscrews, 5/16-18 x 1-3/4 (New) **D. Frame**
E. Bracket

INSTALLATION

ALL MODELS

1. Remove mower deck as described in the Operator's Manual.
2. Remove 5/16-18 nuts (A, Figure 2) and 5/16-18 x 3/4 capscrews (B) which hold the right rear seat deck (C) to the frame (D). Discard capscrews and nuts.
3. Install bracket (E, Figure 3) using new 5/16-18 x 1-3/4 capscrews (B) and new 5/16-18 locknuts (A).

Install New Lift Shaft Assembly

MODELS WITH SERIAL NUMBERS BELOW (<) 00999

1. Remove hair pin (F, Figure 5) and washer (E).
2. Remove lift rod (B) from lift shaft assembly (A).
3. Remove and discard lift shaft assembly (A). Retain hardware.
4. Mount the new lift shaft assembly (A, Figure 6) to the frame using four 5/16-18 x 3/4 carriage bolts (C) and 5/16-18 KEPS nuts (D).
5. Connect the lift rod (B) to the lift shaft assembly (A) using washer (E) and hair pin (F).

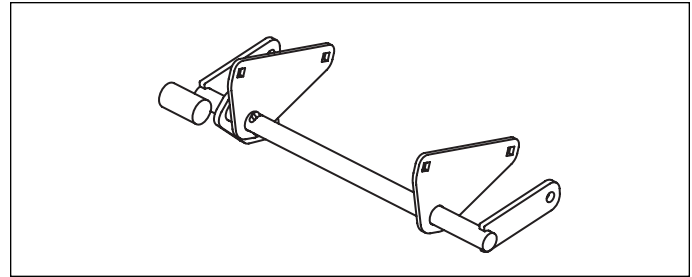


Figure 4. Lift Lever Assembly 1726404

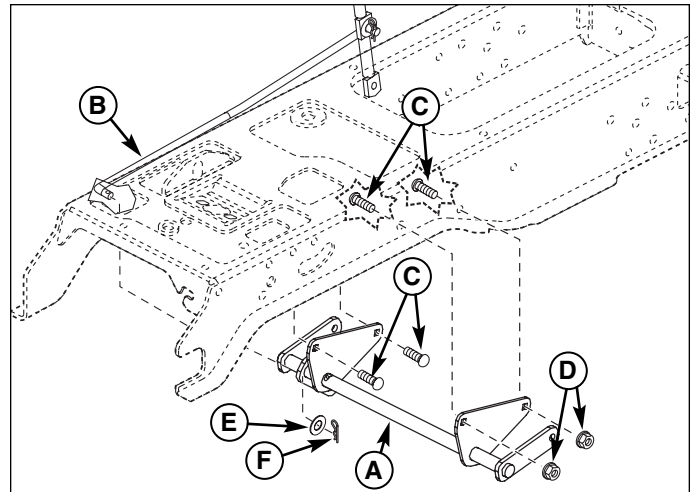


Figure 5. Remove Old Lift Shaft Assembly
A. Lift Shaft Assembly **D. Nut, KEPS, 5/16-18**
B. Lift Rod **E. Washer**
C. Carriage Bolts, 5/16-18 x 3/4 **F. Hair Pin**

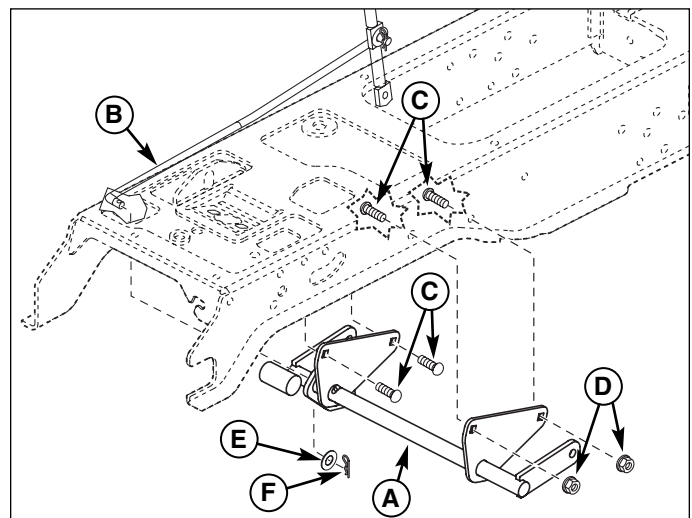


Figure 6. Install New Lift Shaft Assembly
A. Lift Shaft Assembly **D. Nut, KEPS, 5/16-18**
B. Lift Rod **E. Washer**
C. Carriage Bolts, 5/16-18 x 3/4 **F. Hair Pin**

Install New Lift Shaft Assembly

BARON 2007 AND NEWER MODELS

1. Slide Lift Shaft Assy (A, Figure 7) into key-slotted hole (existing - attached to frame (B)) aligning key in Lift Shaft Assy (A) with key slot in hole (B).
2. Rotate the Lift Shaft Assy (C) 180 degree to the right to secure the Lift Shaft Assy in place.

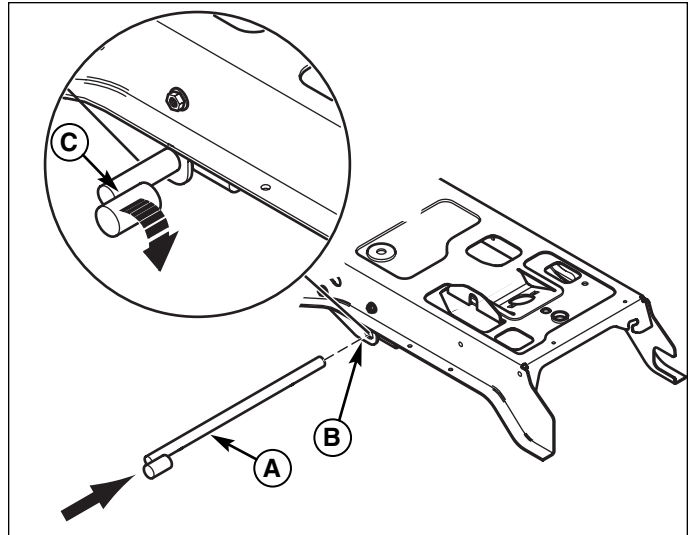


Figure 7. Install Lift lever Assembly
A. Lift Lever Assembly
B. Existing hole
C. Rotate Lift Lever Assembly 180 Degrees

ALL MODELS

Install Front Attachment Lift Lever & Rod

1. Slide the lift lever assembly (A, Figure 8) on to the end of the shaft assembly and on to the edge of the tractor.
2. Secure to mounting bracket (D, Figure 8) using clevis pins (B), spacer (E), and hair pins (C).
3. Slide lift rod (A, Figure 9) into the bottom hole in the lift lever assembly (B). Secure with hair pin (C). Install front attachment & hitch as outlined in Operator's Manual or Installation Instructions.

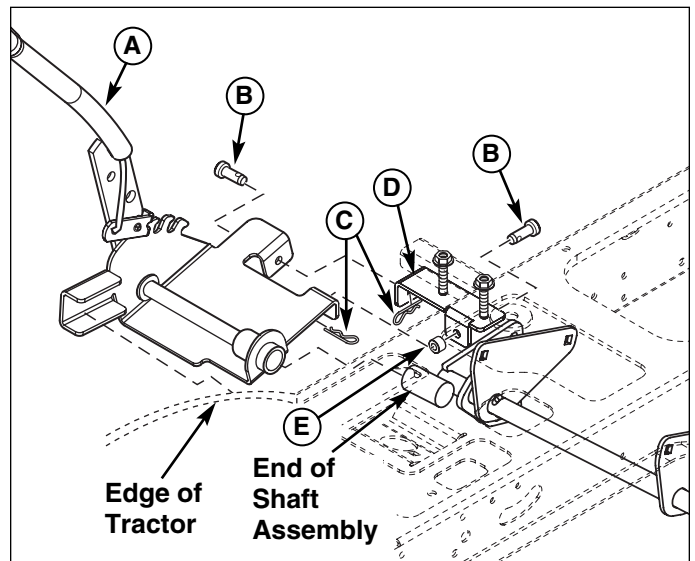


Figure 8. Install Lift lever Assembly
A. Lift Lever Assembly
B. Clevis Pin
C. Hair Pin
D. Mounting Bracket
E. Spacer

Install Support Assembly

1. Hang support plate (A, Figure 10) onto shaft assembly (B).
2. The post on the support plate (A) fits between the clamp support (C) and hitch assembly (D). See Sub-Frame Hitch Installation Instructions for details on installing sub frame.

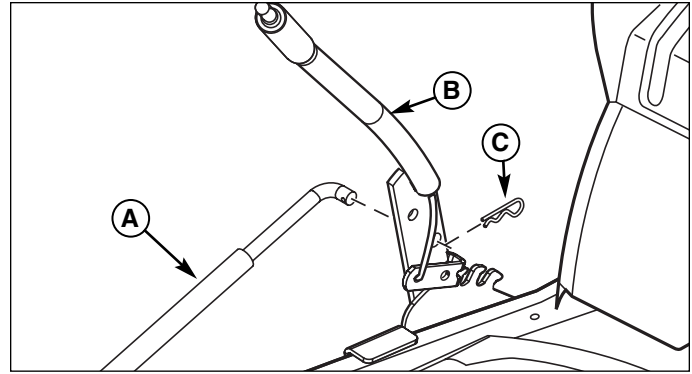


Figure 9. Install Lift Rod

A. Lift Rod

B. Lift Lever Assembly

C. Hair Pin

Install Mower Deck

1. Remove Lift Lever Assembly (A, Figure 8).
2. Install mower deck as described in Operator's Manual or Dealer Setup Instructions.

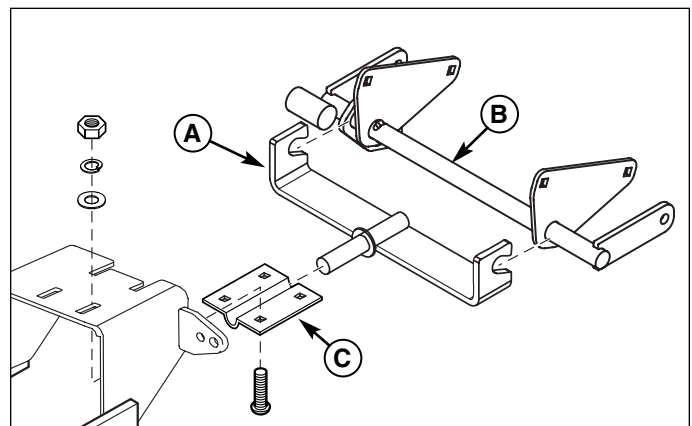


Figure 10. Install Support Plate

A. Support Plate

B. Shaft Assembly

C. Clamp Support

D. Hitch Assembly

Install Deflector Guard

1. Install Deflector Guard Assy (A, Figure 11) using Clevis Pins (B), Washers (C), and Hair Pins (D) as shown.

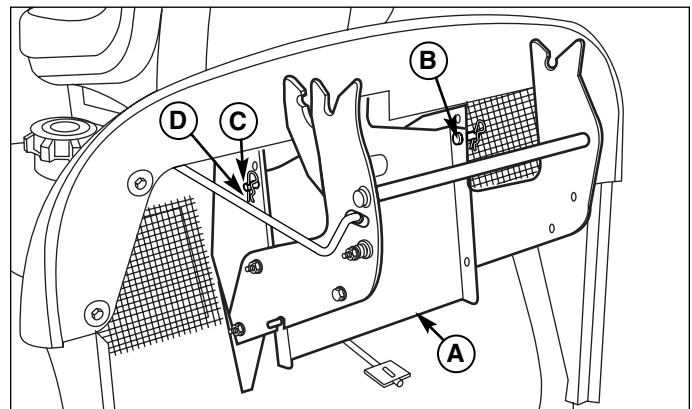


Figure 11. Install Support Plate

A. Deflector Guard Assy

B. Clevis Pin

C. Washer

D. Hair Pin

Simplicity

MANUFACTURING, INC.

500 N Spring Street / PO Box 997
Port Washington, WI 53074-0997 USA

Form No. 1726469-01

Rev. 11/2006

Briggs & Stratton Yard Power Products Group
Copyright © 2006 Briggs & Stratton Corporation
Milwaukee, WI USA. All Rights Reserved

TP 200-4020-01-AT-SMN

Free Manuals Download Website

<http://myh66.com>

<http://usermanuals.us>

<http://www.somanuals.com>

<http://www.4manuals.cc>

<http://www.manual-lib.com>

<http://www.404manual.com>

<http://www.luxmanual.com>

<http://aubethermostatmanual.com>

Golf course search by state

<http://golfingnear.com>

Email search by domain

<http://emailbydomain.com>

Auto manuals search

<http://auto.somanuals.com>

TV manuals search

<http://tv.somanuals.com>