



Illustrated Parts List

Model Series

205300

TYPE NUMBERS
0035 through 1549.

TABLE OF CONTENTS

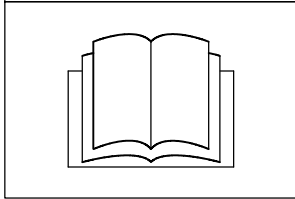
Air Cleaner	5
Alternator	10
Blower Housing/Shrouds	7
Camshaft	2
Carburetor	4
Controls	8
Crankcase Cover	2
Crankshaft	2
Cylinder	2
Cylinder Head	3
Electric Starter	9
Exhaust System	6
Flywheel	7
Fuel Supply	8
Gasket Set - Engine	3
Gasket Set - Valve	3
Gear Reduction	9
Governor Spring	8
Ignition	10
Kit-Carburetor Overhaul	4
Lubrication	2
Operator's Manual	2
Piston/Rings/Connecting Rod	2
Rewind Starter	7
Valves	3
Warning Label	2



PRINTED IN U.S.A.

COPYRIGHT by BRIGGS & STRATTON CORPORATION
All rights reserved. No part of this material may be reproduced or transmitted, in any form or by any means, electronic or mechanical, including photocopying, recording or by any information storage and retrieval system, without permission in writing from Briggs & Stratton Corporation.

1058 OPERATOR'S MANUAL

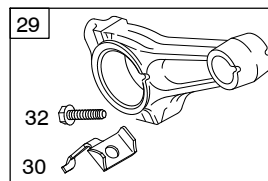
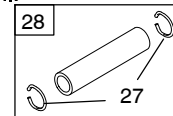
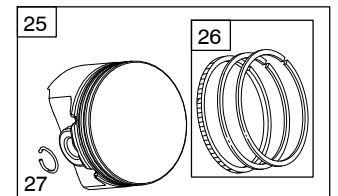
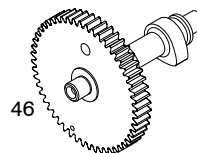
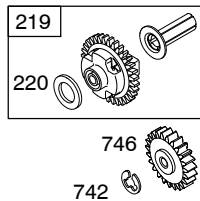
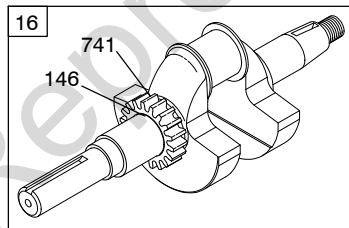
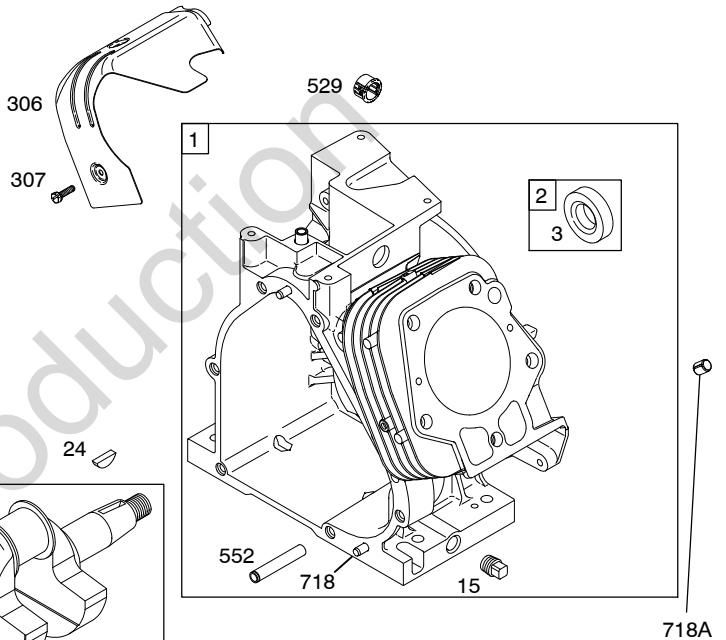
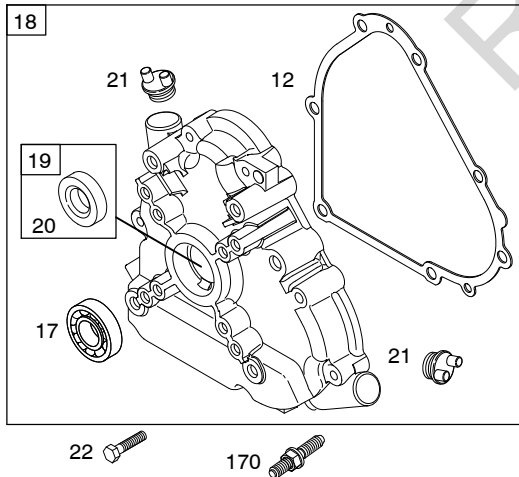
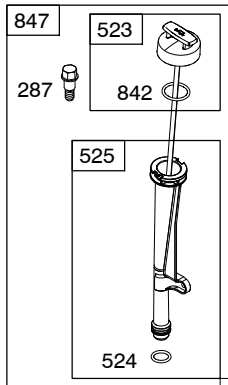
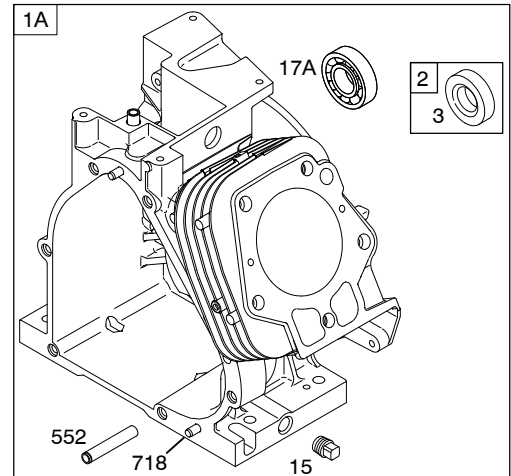


1319 WARNING LABEL

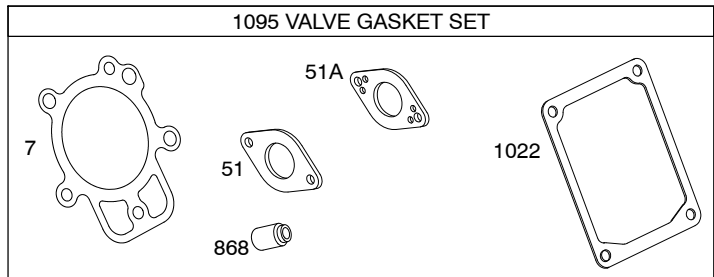
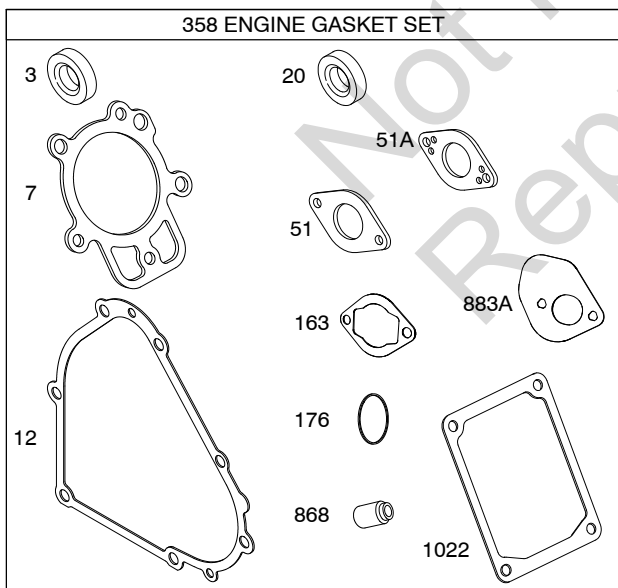
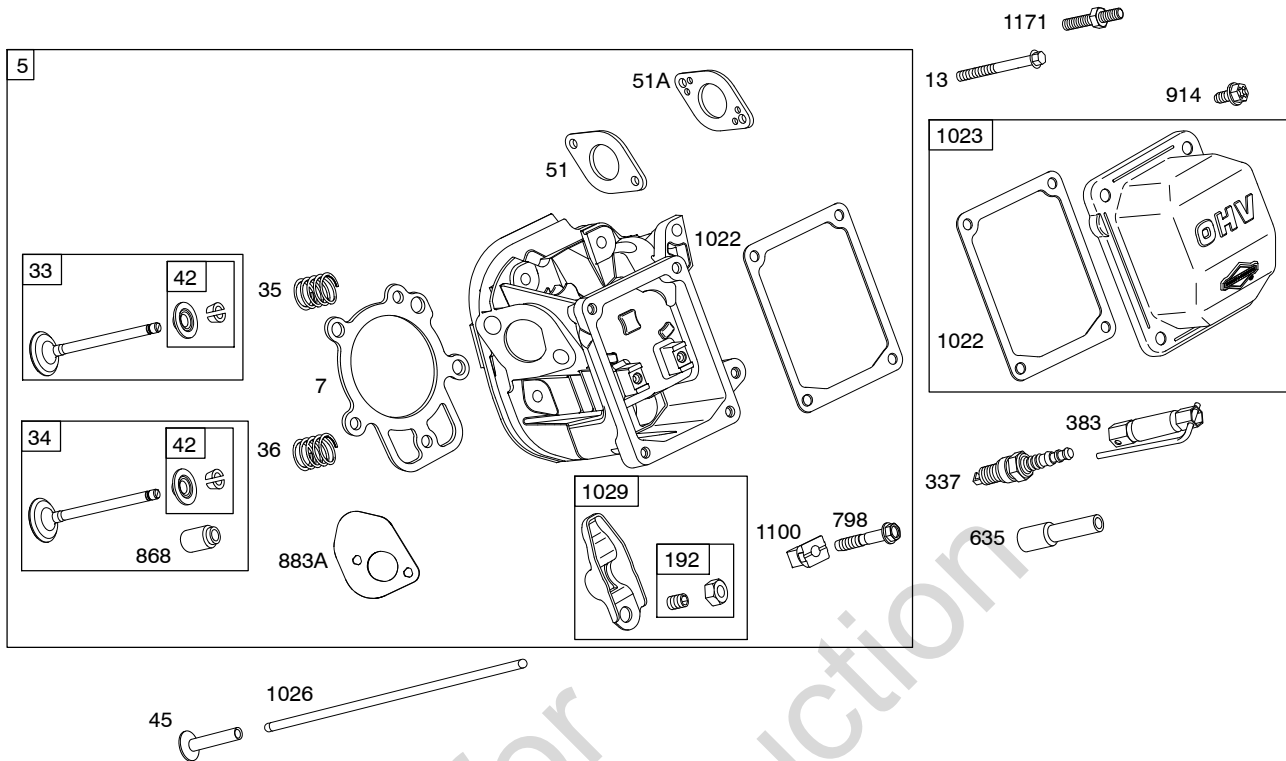
WARNING

- Read and follow Operating Instructions before running engine.
- Gasoline is flammable. Allow engine to cool at least 2 minutes before refueling.
- Engines emit carbon monoxide, DO NOT run in enclosed area.
- Muffler area temperature may exceed 150°F. Do not touch hot parts.

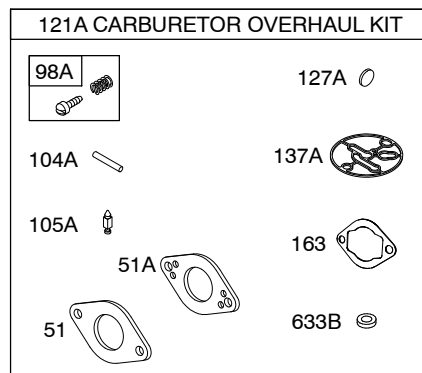
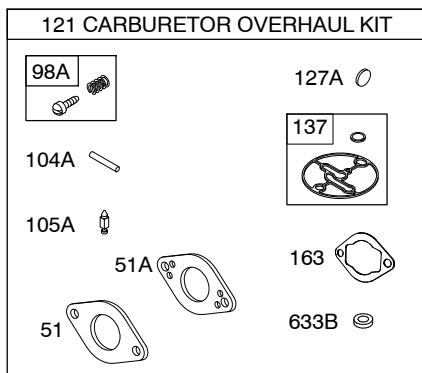
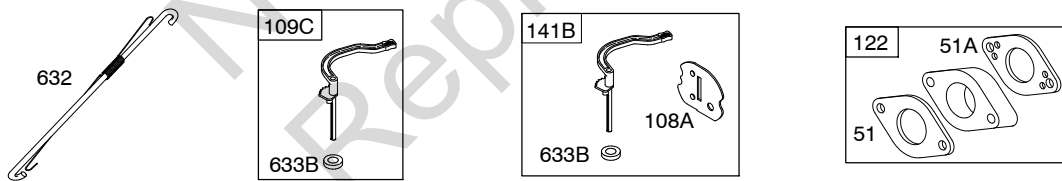
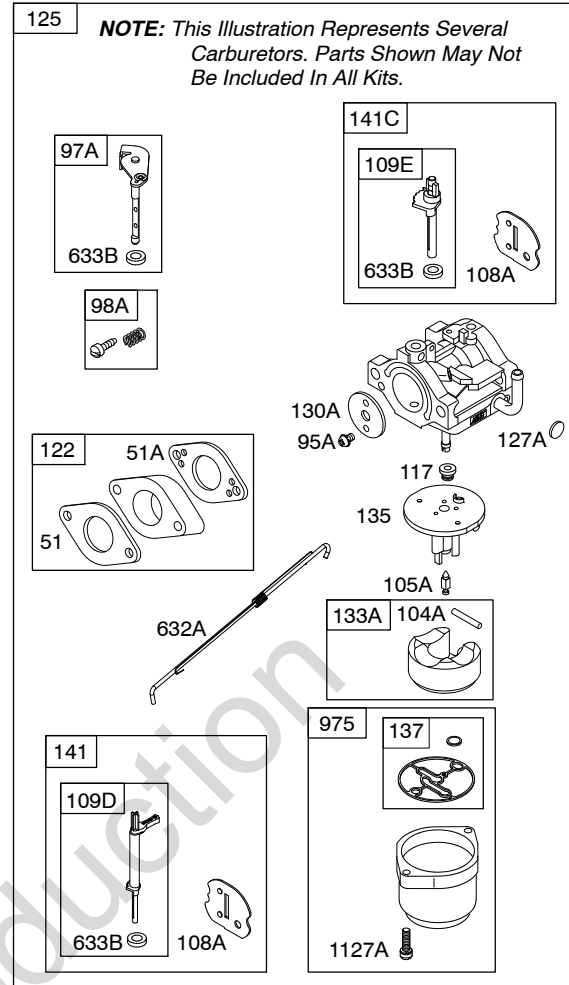
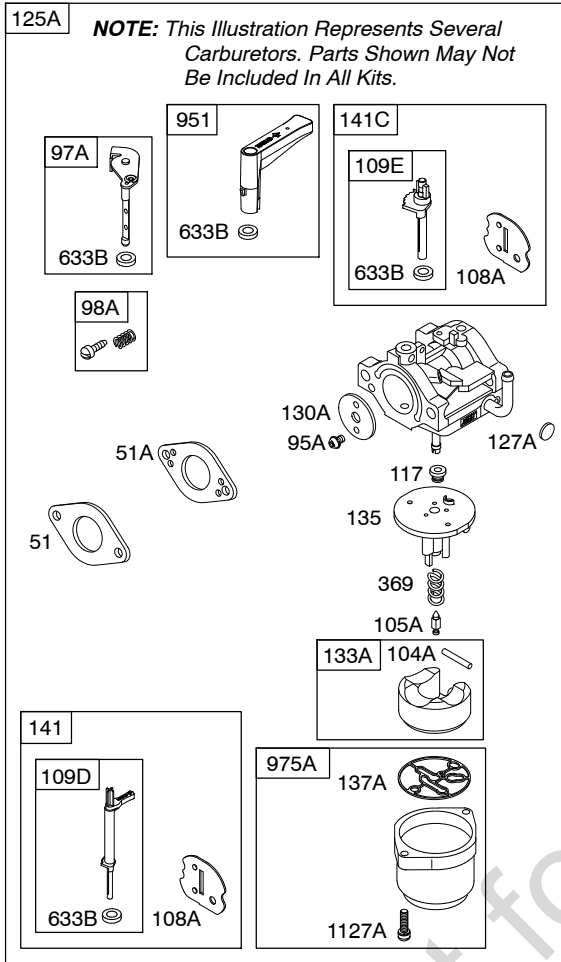
REQUIRED when replacing parts with warning labels affixed.



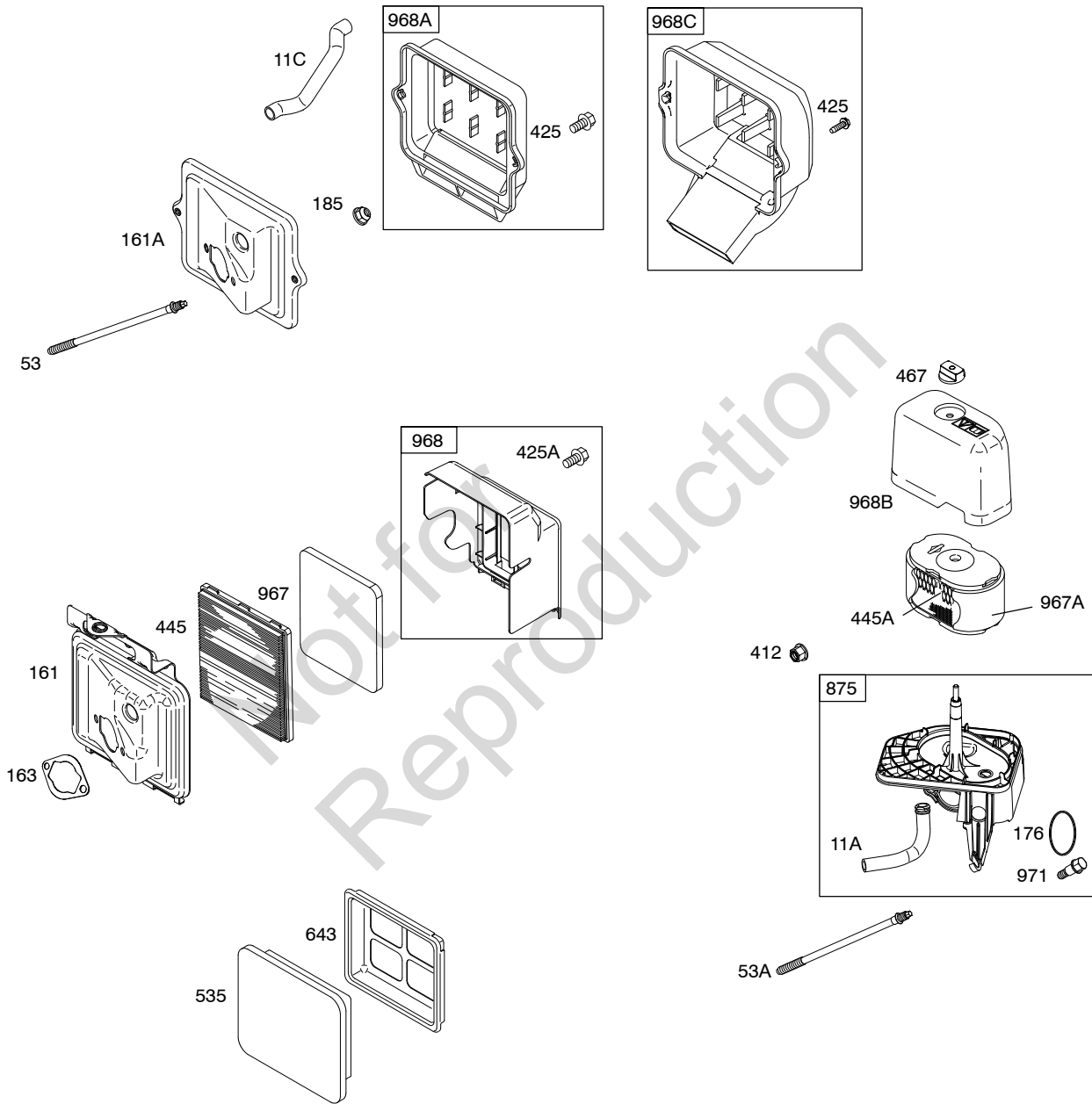
Illustrations cover a range of engines. Parts shown without corresponding text may not be used on your specific engine.
 3986-2 Assemblies include all parts shown in frames. 03/19/2009



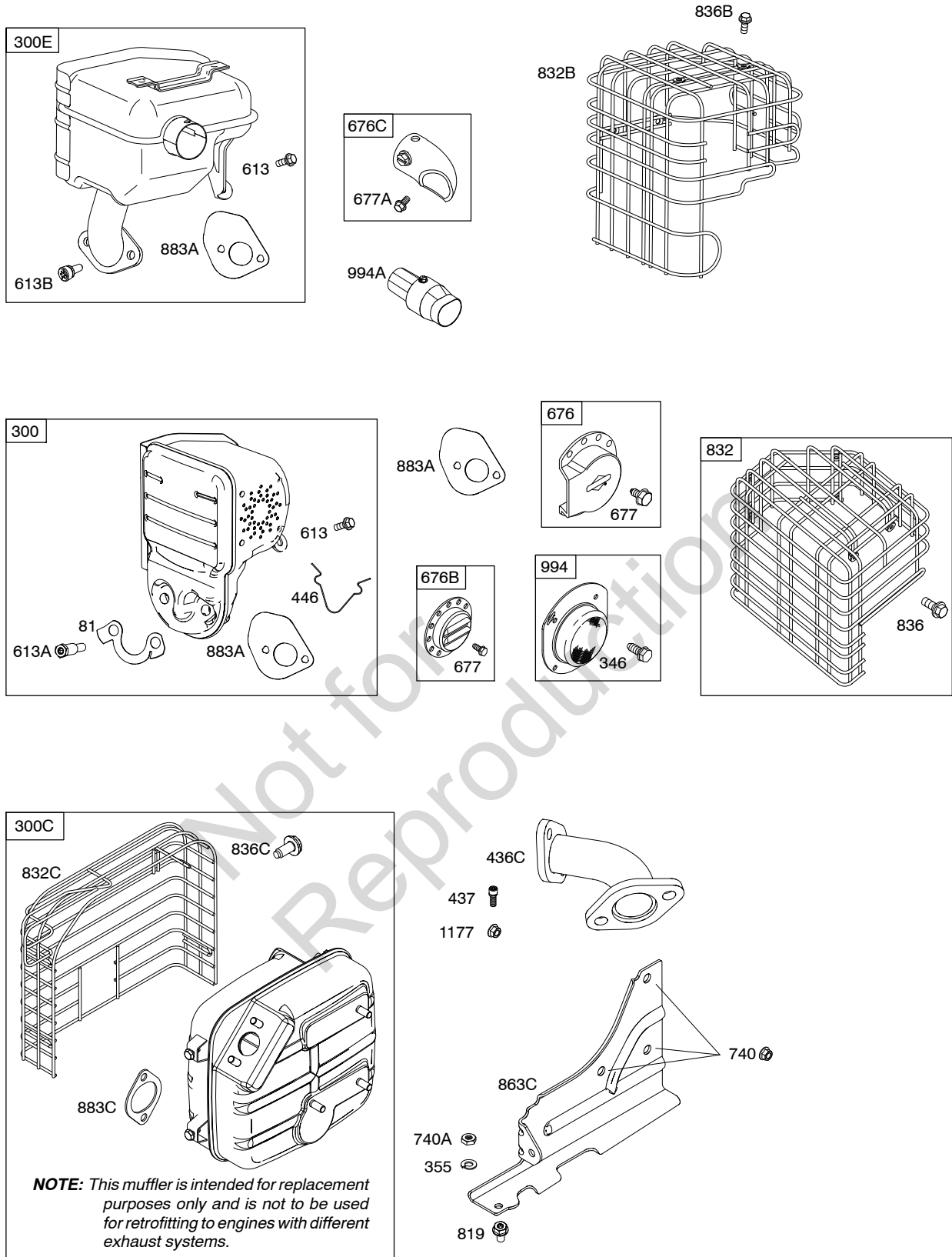
Illustrations cover a range of engines. Parts shown without corresponding text may not be used on your specific engine.
3986-3 Assemblies include all parts shown in frames. 03/19/2009



Illustrations cover a range of engines. Parts shown without corresponding text may not be used on your specific engine.
3986-4 Assemblies include all parts shown in frames. 03/19/2009

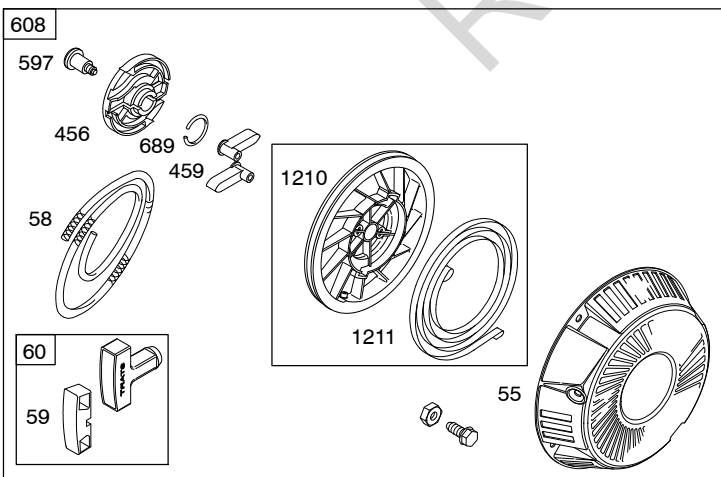
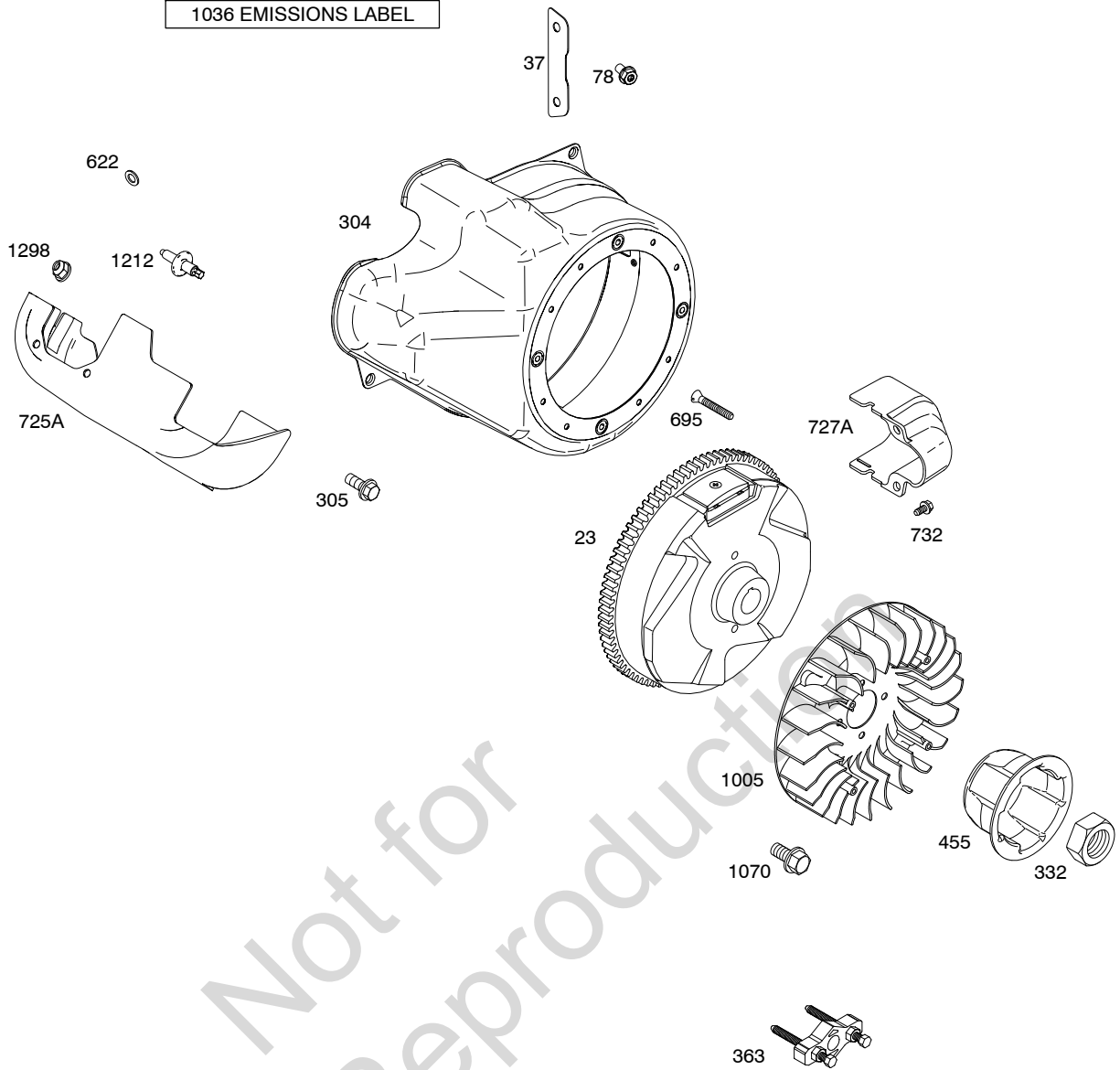


Illustrations cover a range of engines. Parts shown without corresponding text may not be used on your specific engine.
3986-5 Assemblies include all parts shown in frames. 03/19/2009

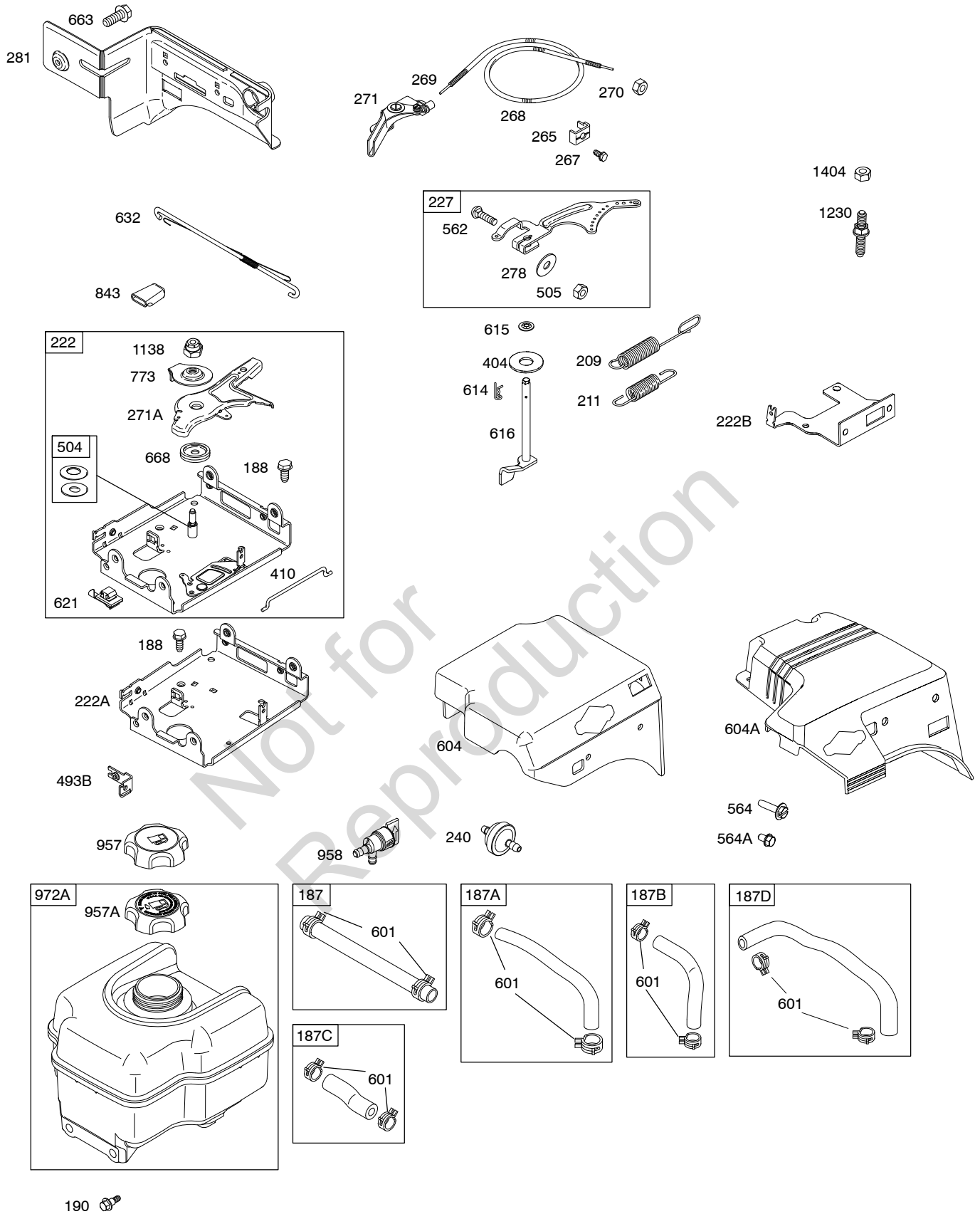


Illustrations cover a range of engines. Parts shown without corresponding text may not be used on your specific engine.
 3986-6 Assemblies include all parts shown in frames. 03/19/2009

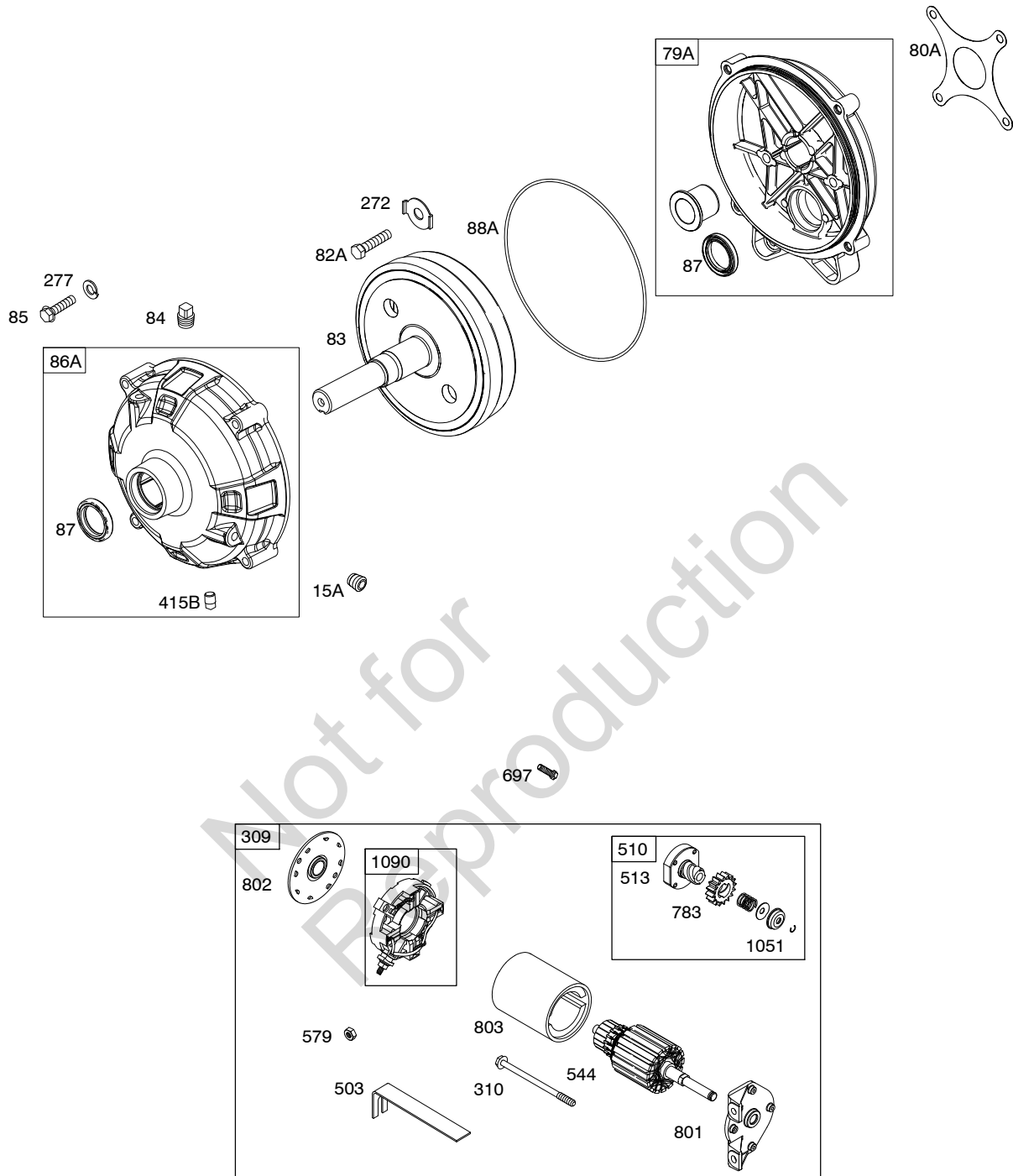
1036 EMISSIONS LABEL



Illustrations cover a range of engines. Parts shown without corresponding text may not be used on your specific engine.
 3986-7 Assemblies include all parts shown in frames. 03/19/2009



Illustrations cover a range of engines. Parts shown without corresponding text may not be used on your specific engine.
 3986-8 Assemblies include all parts shown in frames. 03/19/2009



Illustrations cover a range of engines. Parts shown without corresponding text may not be used on your specific engine.
3986-9 Assemblies include all parts shown in frames. 03/19/2009

DC ONLY	10 - 16 AMP
474A 	474D
578 	578
<p>NOTE: All stators use a No. 1119 mounting screw.</p> <p>NOTE: The proper flywheel part number and/or the alternator magnet size will determine the alternator type or output. See repair instruction manual for additional information.</p>	
	<p>526 501 </p>

Not for Reproduction

Illustrations cover a range of engines. Parts shown without corresponding text may not be used on your specific engine.
3986-10 Assemblies include all parts shown in frames. 03/19/2009

REF. NO.	PART NO.	DESCRIPTION	REF. NO.	PART NO.	DESCRIPTION	REF. NO.	PART NO.	DESCRIPTION			
1	794849	Cylinder Assembly		794718	Crankshaft	20	391086S	Seal-Oil (PTO Side)			
1A	794851	Cylinder Assembly Used on Type No(s). 0172, 0173, 0241, 0317.			Used on Type No(s). 0118, 0140, 0172, 0178, 0194, 0205, 0208, 0214, 0215, 0217, 0241, 0242, 0309, 0313, 0319, 0538, 1163, 1174, 1191, 1207, 1211, 1232, 1313.	21	281658S	Cap-Oil Fill			
2	698340	Kit-Bushing/Seal (Magneto Side)				22	794825	Screw (Crankcase Cover/Sump)			
3	391086S	Seal-Oil (Magneto Side)				23	794814	Flywheel			
5	794870	Head-Cylinder						----- Note ----- 794812 Flywheel Used on Type No(s). 0041, 0120, 0150, 0169, 0172, 0197, 0204, 0210, 0216, 0218, 0242, 0302, 0303, 0311, 0312, 0317, 0319, 0533, 0541, 0542, 0550, 1041, 1050, 1172, 1174, 1185, 1198, 1313.			
7	694872	Gasket-Cylinder Head		794721	Crankshaft						
11A	695305	Tube-Breather Used on Type No(s). 0113, 0118, 0119, 0120, 0122, 0123, 0197, 0213, 0218, 0229, 0281, 0303, 0304, 0305, 0307, 0310, 0311, 0313, 0314, 0315.			Used on Type No(s). 0049, 0122, 0195, 0197, 0212, 0281, 0310, 0311, 0315, 0549, 0550, 1049, 1050, 1195, 1549.						
11C	696796	Tube-Breather		794719	Crankshaft						
12	694953	Gasket-Crankcase			Used on Type No(s). 0165, 0166, 0196, 0229, 0307, 0535, 1035, 1165, 1166, 1196.	24	222698S	Key-Flywheel			
13	794829	Screw (Cylinder Head)				25	792117	Piston Assembly (Standard)			
15	691686	Plug-Oil Drain		794720	Crankshaft			----- Note ----- 792144 Piston Assembly (.020" Oversize)			
15A	691682	Plug-Oil Drain			Used on Type No(s). 0305, 0533, 0563.						
16	794716	Crankshaft Used on Type No(s). 0036, 0041, 0100, 0113, 0123, 0129, 0133, 0136, 0145, 0150, 0161, 0164, 0169, 0202, 0204, 0209, 0210, 0216, 0219, 0236, 0246, 0279, 0282, 0302, 0312, 0536, 0541, 1036, 1041, 1105, 1164, 1185, 1199, 1200, 1201.				26	792026	Ring Set (Standard)			
		----- Note ----- 794717 Crankshaft Used on Type No(s). 0115, 0119, 0120, 0141, 0168, 0173, 0203, 0213, 0218, 0280, 0299, 0303, 0304, 0306, 0314, 0317, 0537, 0542, 1171, 1172, 1183, 1197, 1198.		17	695434	Bearing-Ball			----- Note ----- 792073 Ring Set (.020" Oversize)		
				17A	691069	Bearing-Ball					
				18	791412	Cover-Crankcase					
						----- Note ----- 792139 Cover-Crankcase Used on Type No(s). 0049, 0122, 0195, 0197, 0212, 0281, 0310, 0311, 0315, 0549, 0550, 1049, 1050, 1195, 1549.	27	690975	Lock-Piston Pin		
									28	696581	Pin-Piston
									29	694691	Rod-Connecting
									30	694692	Dipper-Connecting Rod
									32	690976	Screw (Connecting Rod)
									33	499596	Valve-Exhaust
									34	792200	Valve-Intake
									35	694865	Spring-Valve (Intake)
									36	694865	Spring-Valve (Exhaust)
									37	790730	Guard-Flywheel
									42	499586	Keeper-Valve
									45	690977	Tappet-Valve
									46	795697	Camshaft (Used After Code Date 08010100).
											----- Note ----- 790958 Camshaft (Used Before Code Date 08010200).
				19	698340	Kit-Bushing/Seal (PTO Side)					

Illustrations cover a range of engines. Parts shown without corresponding text may not be used on your specific engine.

205300

REF. NO.	PART NO.	DESCRIPTION	REF. NO.	PART NO.	DESCRIPTION	REF. NO.	PART NO.	DESCRIPTION
51	694874	Gasket-Intake	82A	690287	Screw (Gear Reduction Case)	97A	796334	Shaft-Throttle (Used After Code Date 08071700).
51A	694875	Gasket-Intake			Used on Type No(s). 0049, 0122, 0195, 0197, 0212, 0281, 0310, 0311, 0315, 0549, 0550, 1049, 1050, 1195, 1549.			----- Note ----- 696387 Shaft-Throttle (Used Before Code Date 08071800).
53	794830	Stud (Carburetor)						796334 Shaft-Throttle (Used After Code Date 08081900).
53A	794831	Stud (Carburetor)	83	690387	Shaft-Auxiliary Drive			Used on Type No(s). 0113, 0118, 0119, 0120, 0122, 0123, 0197, 0213, 0218, 0229, 0281, 0303, 0304, 0305, 0307, 0310, 0311, 0313, 0314, 0315.
55	695288	Housing-Rewind Starter	84	691121	Plug-Breather			696387 Shaft-Throttle (Used Before Code Date 08082000).
58	693389	Rope-Starter (Cut To Required Length)	85	794820	Screw (Gear Cover to Gear Reduction Case)			Used on Type No(s). 0113, 0118, 0119, 0120, 0122, 0123, 0197, 0213, 0218, 0229, 0281, 0303, 0304, 0305, 0307, 0310, 0311, 0313, 0314, 0315.
59	805957	Insert-Grip	86A	793591	Cover-Gear Used on Type No(s). 0049, 0122, 0195, 0197, 0212, 0281, 0310, 0311, 0315, 0549, 0550, 1049, 1050, 1195, 1549.			696387 Shaft-Throttle (Used Before Code Date 08082000).
60	490652	Grip-Starter Rope	87	391086S	Seal-Gear Reduction			Used on Type No(s). 0113, 0118, 0119, 0120, 0122, 0123, 0197, 0213, 0218, 0229, 0281, 0303, 0304, 0305, 0307, 0310, 0311, 0313, 0314, 0315.
65	699228	Screw (Rewind Starter)	88A	793589	Gasket-Gear Reduction Cover Used on Type No(s). 0049, 0122, 0195, 0197, 0212, 0281, 0310, 0311, 0315, 0549, 0550, 1049, 1050, 1195, 1549.			796334 Shaft-Throttle (Used After Code Date 09020800).
78	795026	Screw (Flywheel Guard)						Used on Type No(s). 0115, 0140, 0172, 0178, 0194, 0205, 0212, 0214, 0215, 0216, 0217, 0280, 0538, 1207, 1232.
79A	794816	Case-Gear Reduction Used on Type No(s). 0049, 0122, 0195, 0197, 0212, 0281, 0310, 0311, 0315, 0549, 0550, 1049, 1050, 1195, 1549.	95A	690718	Screw (Throttle Valve)			696387 Shaft-Throttle (Used Before Code Date 09020900).
80A	793588	Gasket-Gear Case Used on Type No(s). 0049, 0122, 0195, 0197, 0212, 0281, 0310, 0311, 0315, 0549, 0550, 1049, 1050, 1195, 1549.						Used on Type No(s). 0115, 0140, 0172, 0178, 0194, 0205, 0212, 0214, 0215, 0216, 0217, 0280, 0538, 1207, 1232.
81	794817	Lock-Muffler Screw						

Illustrations cover a range of engines. Parts shown without corresponding text may not be used on your specific engine.
 3986-12 Assemblies include all parts shown in frames. 03/19/2009

REF. NO.	PART NO.	DESCRIPTION	REF. NO.	PART NO.	DESCRIPTION	REF. NO.	PART NO.	DESCRIPTION
98A	695408	Kit-Idle Speed	117	796332	Jet-Main	118	796333	Jet-Main
104A	694918	Pin-Float Hinge			(Standard)			(High Altitude)
105A	696136	Valve-Float Needle			(Used After Code Date			(Used After Code Date
108A	696143	Valve-Choke			08071700).			08071700).
109C	790148	Shaft-Choke			----- Note -----			----- Note -----
		Used on Type No(s).			696134 Jet-Main			696135 Jet-Main
		0113, 0118, 0119,			(Standard)			(High Altitude)
		0120, 0122, 0123,			(Used Before Code			(Used Before Code
		0197, 0213, 0218,			Date 08071800).			Date 08071800).
		0229, 0281, 0303,			796332 Jet-Main			796333 Jet-Main
		0304, 0305, 0307,			(Standard)			(High Altitude)
		0310, 0311, 0313,			(Used After Code Date			(Used After Code Date
		0314, 0315.			08081900).			08081900).
109D	790149	Shaft-Choke			Used on Type No(s).			Used on Type No(s).
109E	696735	Shaft-Choke			0113, 0118, 0119,			0113, 0118, 0119,
					0120, 0122, 0123,			0120, 0122, 0123,
					0197, 0213, 0218,			0197, 0213, 0218,
					0229, 0281, 0303,			0229, 0281, 0303,
					0304, 0305, 0307,			0304, 0305, 0307,
					0310, 0311, 0313,			0310, 0311, 0313,
					0314, 0315.			0314, 0315.
					696134 Jet-Main			696135 Jet-Main
					(Standard)			(High Altitude)
					(Used Before Code			(Used Before Code
					Date 08082000).			Date 08082000).
					Used on Type No(s).			Used on Type No(s).
					0113, 0118, 0119,			0113, 0118, 0119,
					0120, 0122, 0123,			0120, 0122, 0123,
					0197, 0213, 0218,			0197, 0213, 0218,
					0229, 0281, 0303,			0229, 0281, 0303,
					0304, 0305, 0307,			0304, 0305, 0307,
					0310, 0311, 0313,			0310, 0311, 0313,
					0314, 0315.			0314, 0315.
					796332 Jet-Main			796333 Jet-Main
					(Standard)			(High Altitude)
					(Used After Code Date			(Used After Code Date
					09020800).			09020800).
					Used on Type No(s).			Used on Type No(s).
					0115, 0140, 0172,			0115, 0140, 0172,
					0178, 0194, 0205,			0178, 0194, 0205,
					0212, 0214, 0215,			0212, 0214, 0215,
					0216, 0217, 0280,			0216, 0217, 0280,
					0538, 1207, 1232.			0538, 1207, 1232.
					696134 Jet-Main			696135 Jet-Main
					(Standard)			(High Altitude)
					(Used Before Code			(Used Before Code
					Date 09020900).			Date 09020900).
					Used on Type No(s).			Used on Type No(s).
					0115, 0140, 0172,			0115, 0140, 0172,
					0178, 0194, 0205,			0178, 0194, 0205,
					0212, 0214, 0215,			0212, 0214, 0215,
					0216, 0217, 0280,			0216, 0217, 0280,
					0538, 1207, 1232.			0538, 1207, 1232.

Illustrations cover a range of engines. Parts shown without corresponding text may not be used on your specific engine.

205300

REF. NO.	PART NO.	DESCRIPTION	REF. NO.	PART NO.	DESCRIPTION	REF. NO.	PART NO.	DESCRIPTION
121	796137	Kit-Carburetor Overhaul (Used After Code Date 08071700). ----- Note ----- 796137 Kit-Carburetor (Used After Code Date 08081900). Used on Type No(s). 0113, 0118, 0119, 0120, 0122, 0123, 0197, 0213, 0218, 0229, 0281, 0303, 0304, 0305, 0307, 0310, 0311, 0313, 0314, 0315. 796137 Kit-Carburetor (Used After Code Date 09020800). Used on Type No(s). 0115, 0140, 0172, 0178, 0194, 0205, 0212, 0214, 0215, 0216, 0217, 0280, 0538, 1207, 1232.	122	694876	Spacer- Carburetor	127A	690727	Plug-Welch
			125	796321	Carburetor (Used After Code Date 08071700). ----- Note ----- 796321 Carburetor (Used After Code Date 08081900). Used on Type No(s). 0113, 0118, 0119, 0120, 0122, 0123, 0197, 0213, 0218, 0229, 0281, 0303, 0304, 0305, 0307, 0310, 0311, 0313, 0314, 0315. 796321 Carburetor (Used After Code Date 09020800). Used on Type No(s). 0115, 0140, 0172, 0178, 0194, 0205, 0212, 0214, 0215, 0216, 0217, 0280, 0538, 1207, 1232.	130A	696139	Valve-Throttle
						133A	694914	Float-Carburetor
						135	698780	Tube-Fuel Transfer (Used After Code Date 08071700). ----- Note ----- 696142 Tube-Fuel Transfer (Used Before Code Date 08071800). 698780 Tube-Fuel Transfer (Used After Code Date 08081900). Used on Type No(s). 0113, 0118, 0119, 0120, 0122, 0123, 0197, 0213, 0218, 0229, 0281, 0303, 0304, 0305, 0307, 0310, 0311, 0313, 0314, 0315. 696142 Tube-Fuel Transfer (Used Before Code Date 08082000). Used on Type No(s). 0113, 0118, 0119, 0120, 0122, 0123, 0197, 0213, 0218, 0229, 0281, 0303, 0304, 0305, 0307, 0310, 0311, 0313, 0314, 0315. 698780 Tube-Fuel Transfer (Used After Code Date 09020800). Used on Type No(s). 0115, 0140, 0172, 0178, 0194, 0205, 0212, 0214, 0215, 0216, 0217, 0280, 0538, 1207, 1232. 696142 Tube-Fuel Transfer (Used Before Code Date 09020900). Used on Type No(s). 0115, 0140, 0172, 0178, 0194, 0205, 0212, 0214, 0215, 0216, 0217, 0280, 0538, 1207, 1232.
121A	696146	Kit-Carburetor Overhaul (Used Before Code Date 08071800). ----- Note ----- 696146 Kit-Carburetor (Used Before Code Date 08082000). Used on Type No(s). 0113, 0118, 0119, 0120, 0122, 0123, 0197, 0213, 0218, 0229, 0281, 0303, 0304, 0305, 0307, 0310, 0311, 0313, 0314, 0315. 696146 Kit-Carburetor (Used Before Code Date 09020900). Used on Type No(s). 0115, 0140, 0172, 0178, 0194, 0205, 0212, 0214, 0215, 0216, 0217, 0280, 0538, 1207, 1232.	125A	699966	Carburetor (Used Before Code Date 08071800). ----- Note ----- 695920 Carburetor (Used Before Code Date 08082000). Used on Type No(s). 0113, 0118, 0119, 0120, 0122, 0123, 0197, 0213, 0218, 0229, 0281, 0303, 0304, 0305, 0307, 0310, 0311, 0313, 0314, 0315. 699966 Carburetor (Used Before Code Date 09020900). Used on Type No(s). 0115, 0140, 0172, 0178, 0194, 0205, 0212, 0214, 0215, 0216, 0217, 0280, 0538, 1207, 1232.			

Illustrations cover a range of engines. Parts shown without corresponding text may not be used on your specific engine.
3986-14 Assemblies include all parts shown in frames. 03/19/2009

REF. NO.	PART NO.	DESCRIPTION	REF. NO.	PART NO.	DESCRIPTION	REF. NO.	PART NO.	DESCRIPTION
137	698781	Gasket-Float Bowl (Used After Code Date 08071700). ----- Note ----- 698781 Gasket-Float Bowl (Used After Code Date 08081900). Used on Type No(s). 0113, 0118, 0119, 0120, 0122, 0123, 0197, 0213, 0218, 0229, 0281, 0303, 0304, 0305, 0307, 0310, 0311, 0313, 0314, 0315. 698781 Gasket-Float Bowl (Used After Code Date 09020800). Used on Type No(s). 0115, 0140, 0172, 0178, 0194, 0205, 0212, 0214, 0215, 0216, 0217, 0280, 0538, 1207, 1232.	141	696145	Kit-Choke Shaft	190	699220	Screw (Fuel Tank)
			141B	696144	Kit-Choke Shaft Used on Type No(s). 0113, 0118, 0119, 0120, 0122, 0123, 0197, 0213, 0218, 0229, 0281, 0303, 0304, 0305, 0307, 0310, 0311, 0313, 0314, 0315.	192	690083	Adjuster-Rocker Arm
			141C	699979	Kit-Choke Shaft	209	694867	Spring-Governor ----- Note ----- 695491 Spring-Governor Used on Type No(s). 0165, 0212, 1165. 696638 Spring-Governor Used on Type No(s). 0115, 0129, 0141, 0209, 0210, 0246, 0280, 1232.
			146	690979	Key-Timing	211	695307	Spring-Governed Idle
			161	794768	Base-Air Cleaner (Metal)	219	693578	Gear-Governor
			161A	794767	Base-Air Cleaner (Metal) Used on Type No(s). 0115, 0140, 0172, 0178, 0194, 0205, 0212, 0214, 0215, 0216, 0217, 0280, 0538, 1207, 1232.	220	691724	Washer (Governor Gear)
			163	692277	Gasket-Air Cleaner	222	794799	Bracket-Control
			170	794833	Stud (Crankcase Cover/Sump)	222A	794801	Bracket-Control Used on Type No(s). 0140, 0165, 0178, 0208, 0212, 0214, 0215, 0242, 0309, 0538, 1163, 1165, 1174, 1191, 1207, 1211, 1232, 1313.
137A	695426	Gasket-Float Bowl (Used Before Code Date 08071800). ----- Note ----- 695426 Gasket-Float Bowl (Used Before Code Date 08082000). Used on Type No(s). 0113, 0118, 0119, 0120, 0122, 0123, 0197, 0213, 0218, 0229, 0281, 0303, 0304, 0305, 0307, 0310, 0311, 0313, 0314, 0315. 695426 Gasket-Float Bowl (Used Before Code Date 09020900). Used on Type No(s). 0115, 0140, 0172, 0178, 0194, 0205, 0212, 0214, 0215, 0216, 0217, 0280, 0538, 1207, 1232.	176	691876	Seal-O Ring (Air Cleaner Base) ----- Note ----- 691917 Seal-O Ring (Air Cleaner Base) Used on Type No(s). 0113, 0118, 0119, 0120, 0122, 0123, 0197, 0213, 0218, 0229, 0281, 0303, 0304, 0305, 0307, 0310, 0311, 0313, 0314, 0315.	222B	794804	Bracket-Control Used on Type No(s). 0172, 0194, 0205, 0217, 0241, 0319.
			185	794834	Nut (Air Cleaner Base)	227	694864	Lever-Governor Control
			187	791766	Line-Fuel (15 Inches Long) (Cut To Required Length)	240	394358S	Filter-Fuel ----- Note ----- 298090S Filter-Fuel Used on Type No(s). 0118, 0172.
			187A	791869	Line-Fuel	265	691024	Clamp-Casing
			187B	791834	Line-Fuel	267	699492	Screw (Casing Clamp)
			187C	791871	Line-Fuel	268	691025	Casing-Control Wire (Cut To Required Length)
			187D	791879	Line-Fuel	269	691026	Wire-Control (Cut To Required Length)
			188	699479	Screw (Control Bracket)	270	691027	Nut (Control Wire Casing)

Illustrations cover a range of engines. Parts shown without corresponding text may not be used on your specific engine.

205300

REF. NO.	PART NO.	DESCRIPTION	REF. NO.	PART NO.	DESCRIPTION	REF. NO.	PART NO.	DESCRIPTION
271	691028	Lever-Control	337	491055S	Plug-Spark	358	695438	Gasket Set-Engine
271A	695381	Lever-Control			----- Note -----	361A	691693	Screw
272	691168	Lock-Screw Head			691043 Plug-Spark			(Starting Switch)
277	794842	Washer (Gear Case To Gear Reduction)			Used on Type No(s). 0115, 0123, 0141, 0164, 0165, 0166, 0195, 0196, 0242, 0282, 0314, 0315, 0319, 0533, 0535, 0536, 0537, 0538, 0541, 0542, 0549, 0550, 0563, 1105, 1163, 1164, 1165, 1166, 1174, 1183, 1185, 1191, 1195, 1196, 1199, 1200, 1201, 1207, 1211, 1313, 1549.	363	19203	Puller-Flywheel
278	792008	Washer (Governor Control Lever)			792015 Plug-Spark	364A	699947	Terminal-Oil Plug
281	697268	Panel-Control			Used on Type No(s). 0219, 0280.	369	695422	Spring-Float Bowl (Used Before Code Date 08071800). ----- Note -----
286	793696	Module-Oil Sensor ----- Note ----- 793697 Module-Oil Sensor Used on Type No(s). 0168, 0306.	346	794845	Screw (Spark Arrestor)			695422 Spring-Float Bowl (Used Before Code Date 08082000). Used on Type No(s). 0113, 0118, 0119, 0120, 0122, 0123, 0197, 0213, 0218, 0229, 0281, 0303, 0304, 0305, 0307, 0310, 0311, 0313, 0314, 0315.
287	699629	Screw (Dipstick Tube)	347	698338	Switch-Rocker Used on Type No(s). 0115, 0141, 0280, 0314, 0538.			695422 Spring-Float Bowl (Used Before Code Date 09020900). Used on Type No(s). 0115, 0140, 0172, 0178, 0194, 0205, 0212, 0214, 0215, 0216, 0217, 0280, 0538, 1207, 1232.
300	794806	Muffler	347A	697854	Switch-Rocker	383	19374S	Wrench-Spark Plug
300C	793701	Muffler (This muffler is intended for replacement purposes only and is not to be used for retrofitting to engines with different exhaust systems)	347B	790949	Switch-Rocker Used on Type No(s). 0041, 0120, 0169, 0172, 0197, 0210, 0218, 0302, 0303, 0311, 0317, 0541, 0542, 0550, 1041, 1050.	404	795759	Washer (Governor Crank)
300E	794949	Muffler	355	691075	Washer (Muffler Bracket)	410	695382	Link-Control
304	795699	Housing-Blower (Used After Code Date 08010600). ----- Note ----- 791478 Housing-Blower (Used Before Code Date 08010700).	356	692603	Wire-Stop	412	794834	Nut (Air Cleaner Cover)
305	699481	Screw (Blower Housing)	356A	692390	Wire-Stop	415	691363	Plug
306	697240	Shield-Cylinder	356B	699340	Wire-Stop	415B	690283	Plug
307	794822	Screw (Cylinder Shield)	356C	695295	Wire-Stop	415C	693463	Plug Used on Type No(s). 0241.
309	695479	Motor-Starter	356D	695366	Wire-Stop	425	794836	Screw (Air Cleaner Cover)
310	690323	Screw (Starter Motor)	356E	696328	Wire-Stop	425A	794835	Screw (Air Cleaner Cover)
332	794824	Nut (Flywheel)	356H	696482	Wire-Stop	436C	792374	Manifold-Exhaust
333	492341	Armature-Magneto	356J	699994	Wire-Stop	437	794844	Screw (Exhaust Manifold)
334	699477	Screw (Magneto Armature)	356K	697397	Wire-Stop			
			356L	792609	Wire-Stop			

Illustrations cover a range of engines. Parts shown without corresponding text may not be used on your specific engine.
 3986-16 Assemblies include all parts shown in frames. 03/19/2009

REF. NO.	PART NO.	DESCRIPTION	REF. NO.	PART NO.	DESCRIPTION	REF. NO.	PART NO.	DESCRIPTION
441	797125	Bracket-Oil Fill Used on Type No(s). 0319.	523	695344	Dipstick	615	694676	Retainer-Governor Shaft
445	491588S	Filter-Air Cleaner Cartridge	524	691876	Seal-Dipstick Tube			(Governor Gear)
445A	695302	Filter-Air Cleaner Cartridge Used on Type No(s). 0113, 0118, 0119, 0120, 0122, 0123, 0197, 0213, 0218, 0229, 0281, 0303, 0304, 0305, 0307, 0310, 0311, 0313, 0314, 0315.	525	695343	Tube-Dipstick			(Used Before Code Date 08021500).
446	794941	Spring-Retainer	526	690297	Screw (Regulator)	616	795758	Crank-Governor
455	794867	Cup-Flywheel	529	791822	Grommet	621	692310	Switch-Stop
456	692299	Plate-Pawl Friction	535	696315	Filter-Air Cleaner Foam Used on Type No(s). 0173, 0241, 0317.	622	794839	Washer (Heat Shield)
459	281505S	Pawl-Ratchet	544	692034	Armature-Starter	627A	792608	Bracket-Stopswitch
467	691668	Knob-Air Cleaner Used on Type No(s). 0113, 0118, 0119, 0120, 0122, 0123, 0197, 0213, 0218, 0229, 0281, 0303, 0304, 0305, 0307, 0310, 0311, 0313, 0314, 0315.	552	694674	Bushing-Governor Crank	632	695917	Spring/Link- Mechanical Governor (Used Before Code Date 08071800).
474A	695730	Alternator (3 Amps DC)	562	793216	Bolt (Governor Control Lever)	----- Note -----		
474D	695466	Alternator (10 Amp Regulator)	564	699492	Screw (Control Cover) (18.67 mm Long)	695917 Spring/Link- Mechanical Governor (Used Before Code Date 08082000).		
493A	691177	Bracket-Mounting (Oil Sensor)	564A	699491	Screw (Control Cover) (10.75 mm Long) Used on Type No(s). 0118.	Used on Type No(s). 0113, 0118, 0119, 0120, 0122, 0123, 0197, 0213, 0218, 0229, 0281, 0303, 0304, 0305, 0307, 0310, 0311, 0313, 0314, 0315.		
493B	794782	Bracket-Mounting (Oil Sensor)	577A	690795	Cable-Starter	695917 Spring/Link- Mechanical Governor (Used Before Code Date 09020900).		
500A	792613	Washer (Key Switch)	578	692306	Wire Assembly Used on Type No(s). 0204, 0210, 0216, 0242, 0317, 0319, 1185, 1313.	Used on Type No(s). 0115, 0140, 0172, 0178, 0194, 0205, 0212, 0214, 0215, 0216, 0217, 0280, 0538, 1207, 1232.		
501	691185	Regulator	578A	790948	Wire Assembly			
503	691532	Strap-Starter	579	691029	Nut (Starter Cable)			
504	695383	Washer Set-Friction	597	691696	Screw (Pawl Friction Plate)			
505	691251	Nut (Governor Control Lever)	601	791850	Clamp-Hose			
510	693699	Drive-Starter	604	699066	Cover-Control Used on Type No(s). 0118.			
513	692024	Clutch-Drive	604A	791752	Cover-Control Used on Type No(s). 0172, 0194, 0205, 0217, 0241, 0319.			
522	697689	Plug-Dipstick/Fill Used on Type No(s). 0118, 0119, 0120, 0122, 0123, 0178, 0194, 0214, 0229, 0282, 0313.	608	695287	Starter-Rewind			
			613	794846	Screw (Muffler)			
			613A	794848	Screw (Muffler)			
			613B	794844	Screw (Muffler)			
			614	691620	Pin-Cotter (Governor Crank)			

Illustrations cover a range of engines. Parts shown without corresponding text may not be used on your specific engine.

205300

REF. NO.	PART NO.	DESCRIPTION	REF. NO.	PART NO.	DESCRIPTION	REF. NO.	PART NO.	DESCRIPTION
632A	796324	Link-Throttle (Used After Code Date 08071700). ----- Note ----- 796324 Spring/Link-Mechanical Governor (Used After Code Date 08081900). Used on Type No(s). 0113, 0118, 0119, 0120, 0122, 0123, 0197, 0213, 0218, 0229, 0281, 0303, 0304, 0305, 0307, 0310, 0311, 0313, 0314, 0315. 796324 Spring/Link-Mechanical Governor (Used After Code Date 09020800). Used on Type No(s). 0115, 0140, 0172, 0178, 0194, 0205, 0212, 0214, 0215, 0216, 0217, 0280, 0538, 1207, 1232.	718	690959	Pin-Locating	843	695588	Sleeve-Lever
			718A	695178	Pin-Locating (Head)	847	695342	Dipstick/Tube Assembly
			725A	792995	Shield-Heat Used on Type No(s). 0194, 0205, 0217.	851	692424	Terminal-Spark Plug
			727A	697465	Cover-Starter Drive	863C	793700	Bracket-Muffler
			732	699200	Screw (Starter Drive Cover)	868	690968	Seal-Valve
			740	710090	Nut (Muffler Bracket)	875	695304	Base-Air Cleaner (Plastic) Used on Type No(s). 0113, 0118, 0119, 0120, 0122, 0123, 0197, 0213, 0218, 0229, 0281, 0303, 0304, 0305, 0307, 0310, 0311, 0313, 0314, 0315.
			740A	794843	Nut (Muffler Bracket)	883A	794818	Gasket-Exhaust
			741	691288	Gear-Timing	883C	710250	Gasket-Exhaust
			742	692564	Retainer-E Ring	892A	791944	Switch-Key
			746	694679	Gear-Idler	914	794827	Screw (Rocker Cover)
			773	694258	Retainer	920	691656	Solenoid-Starter
			774	695447	Screw (Stop Wire)	951	699961	Lever-Choke
			783	693713	Gear-Pinion	957	795027	Cap-Fuel Tank (Plastic)
			798	697890	Screw (Rocker Arm)	957A	792647	Cap-Fuel Tank (Plastic) (Fresh Start)
			799	794937	Screw (Oil Sensor) (Shoulder Screw) ----- Note ----- 699233 Screw (Oil Sensor)	958	698180	Valve-Fuel Shut Off (Plastic)
633B	690998	Seal-Choke/Throttle Shaft	801	694482	Cap-Drive	967	491435S	Filter-Pre Cleaner
635	691909	Boot-Spark Plug	802	691286	Cap-End	967A	695303	Filter-Pre Cleaner Used on Type No(s). 0113, 0118, 0119, 0120, 0122, 0123, 0197, 0213, 0218, 0229, 0281, 0303, 0304, 0305, 0307, 0310, 0311, 0313, 0314, 0315.
643	696264	Retainer-Air Filter Used on Type No(s). 0173, 0241, 0317.	803		Housing-Starter (For Replacement Starter Housing, Order Reference 309)			
663	699492	Screw (Control Panel)	813	690635	Clamp			
668	694257	Spacer (Control Bracket)	819	794832	Screw (Muffler Bracket)			
676	795036	Deflector-Muffler	832	795035	Guard-Muffler			
676B	795038	Deflector-Muffler (Louvered)	832B	793903	Guard-Muffler Used on Type No(s). 0195, 0197, 0219, 0314, 0315.			
676C	697816	Deflector-Muffler	832C	792380	Guard-Muffler			
677	794845	Screw (Muffler Deflector)	836	794845	Screw (Muffler Guard)			
677A	699776	Screw (Muffler Deflector)	836B	699234	Screw (Muffler Guard)			
689	691855	Spring-Friction	836C	710023	Screw (Muffler Guard)			
695	698807	Screw (Ring Gear)	842	691031	Seal-O Ring (Dipstick Tube)			
697	795026	Screw (Drive Cap)						

Illustrations cover a range of engines. Parts shown without corresponding text may not be used on your specific engine.
3986-18 Assemblies include all parts shown in frames. 03/19/2009

REF. NO.	PART NO.	DESCRIPTION	REF. NO.	PART NO.	DESCRIPTION	REF. NO.	PART NO.	DESCRIPTION
968	794785	Cover-Air Cleaner	975A	696138	Bowl-Float	1046	691337	Plug-Blower Housing
968A	794784	Cover-Air Cleaner Used on Type No(s). 0115, 0140, 0172, 0178, 0194, 0205, 0212, 0214, 0216, 0217, 0280, 0538, 1232.			(Used Before Code Date 08071800). ----- Note ----- 696138 Bowl-Float (Used Before Code Date 08082000). Used on Type No(s). 0113, 0118, 0119, 0120, 0122, 0123, 0197, 0213, 0218, 0229, 0281, 0303, 0304, 0305, 0307, 0310, 0311, 0313, 0314, 0315.	1051	691265	Ring-Retaining
968B	695301	Cover-Air Cleaner Used on Type No(s). 0113, 0118, 0119, 0120, 0122, 0123, 0197, 0213, 0218, 0229, 0281, 0303, 0304, 0305, 0307, 0310, 0311, 0313, 0314, 0315.			696138 Bowl-Float (Used Before Code Date 09020900). Used on Type No(s). 0115, 0140, 0172, 0178, 0194, 0205, 0212, 0214, 0215, 0216, 0217, 0280, 0538, 1207, 1232.	1052A	794805	Sensor-Oil
968C	795337	Cover-Air Cleaner Used on Type No(s). 0215, 1207.			990A 695756 Key Set Used on Type No(s). 0041, 0120, 0169, 0172, 0197, 0210, 0218, 0302, 0303, 0311, 0317, 0541, 0542, 0550, 1041, 1050.	1054	280275	Tie-Cable
971	794837	Screw (Air Cleaner Base to Carburetor)			994 794945 Arrestor-Spark	1058	277040	Operator's Manual
972A	694260	Tank-Fuel (Plastic)			994A 790153 Arrestor-Spark	1070	794821	Screw (Flywheel Fan)
975	698783	Bowl-Float (Used After Code Date 08071700). ----- Note ----- 698783 Bowl-Float (Used After Code Date 08081900). Used on Type No(s). 0113, 0118, 0119, 0120, 0122, 0123, 0197, 0213, 0218, 0229, 0281, 0303, 0304, 0305, 0307, 0310, 0311, 0313, 0314, 0315. 698783 Bowl-Float (Used After Code Date 09020800). Used on Type No(s). 0115, 0140, 0172, 0178, 0194, 0205, 0212, 0214, 0215, 0216, 0217, 0280, 0538, 1207, 1232.			1005 794815 Fan-Flywheel	1090	691293	Retainer-Brush
					1022 690971 Gasket-Rocker Cover	1095	695440	Gasket Set-Valve
					1023 697691 Cover-Rocker	1100	791959	Pivot-Rocker Arm
					1026 695177 Rod-Push	1119	699772	Screw (Alternator)
					1029 690972 Arm-Rocker	1127A	695407	Screw (Float Bowl)
					1036 Label-Emissions (Available From A Briggs & Stratton Authorized Dealer)	1138	694255	Nut (Control Bracket)
						1171	794828	Stud (Rocker Cover)
						1177	710090	Nut (Muffler)
						1194	691876	Seal-O Ring (Plug)
						1210	498144	Pulley/Spring Assembly (Pulley)
						1211	498144	Pulley/Spring Assembly (Spring)
						1212	794841	Stud (Blower Housing)
						1230	794840	Stud (Control Bracket)
						1298	794838	Nut (Heat Shield)
						1319	794467	Label-Warning
						1404	794838	Nut (Control Cover)

Illustrations cover a range of engines. Parts shown without corresponding text may not be used on your specific engine.

Not for
Reproduction



Free Manuals Download Website

<http://myh66.com>

<http://usermanuals.us>

<http://www.somanuals.com>

<http://www.4manuals.cc>

<http://www.manual-lib.com>

<http://www.404manual.com>

<http://www.luxmanual.com>

<http://aubethermostatmanual.com>

Golf course search by state

<http://golfingnear.com>

Email search by domain

<http://emailbydomain.com>

Auto manuals search

<http://auto.somanuals.com>

TV manuals search

<http://tv.somanuals.com>