



# Illustrated Parts List

## Model Series

# 20E200

TYPE NUMBERS  
0110 through 0359.

### TABLE OF CONTENTS

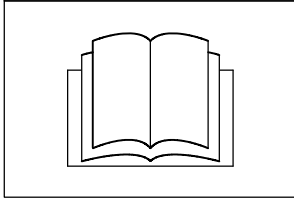
Alternator .....	8
Blower Housing/Shrouds .....	5, 6
Camshaft .....	2
Carburetor .....	4
Controls .....	7
Crankcase Cover .....	2
Crankshaft .....	2
Cylinder .....	2
Cylinder Head .....	3
Electric Starter .....	8
Exhaust System .....	5
Flywheel .....	6
Fuel Supply .....	8
Gasket Set - Engine .....	3
Gasket Set - Valve .....	3
Governor Spring .....	7
Ignition .....	8
Kit - Carburetor Overhaul .....	4
Lubrication .....	2
Operator's Manual .....	2
Piston/Rings/Connecting Rod .....	2
Rewind Starter .....	6
Valves .....	3
Warning Label .....	2



PRINTED IN U.S.A.

COPYRIGHT by BRIGGS & STRATTON CORPORATION  
All rights reserved. No part of this material may be reproduced or transmitted, in any form or by any means, electronic or mechanical, including photocopying, recording or by any information storage and retrieval system, without permission in writing from Briggs & Stratton Corporation.

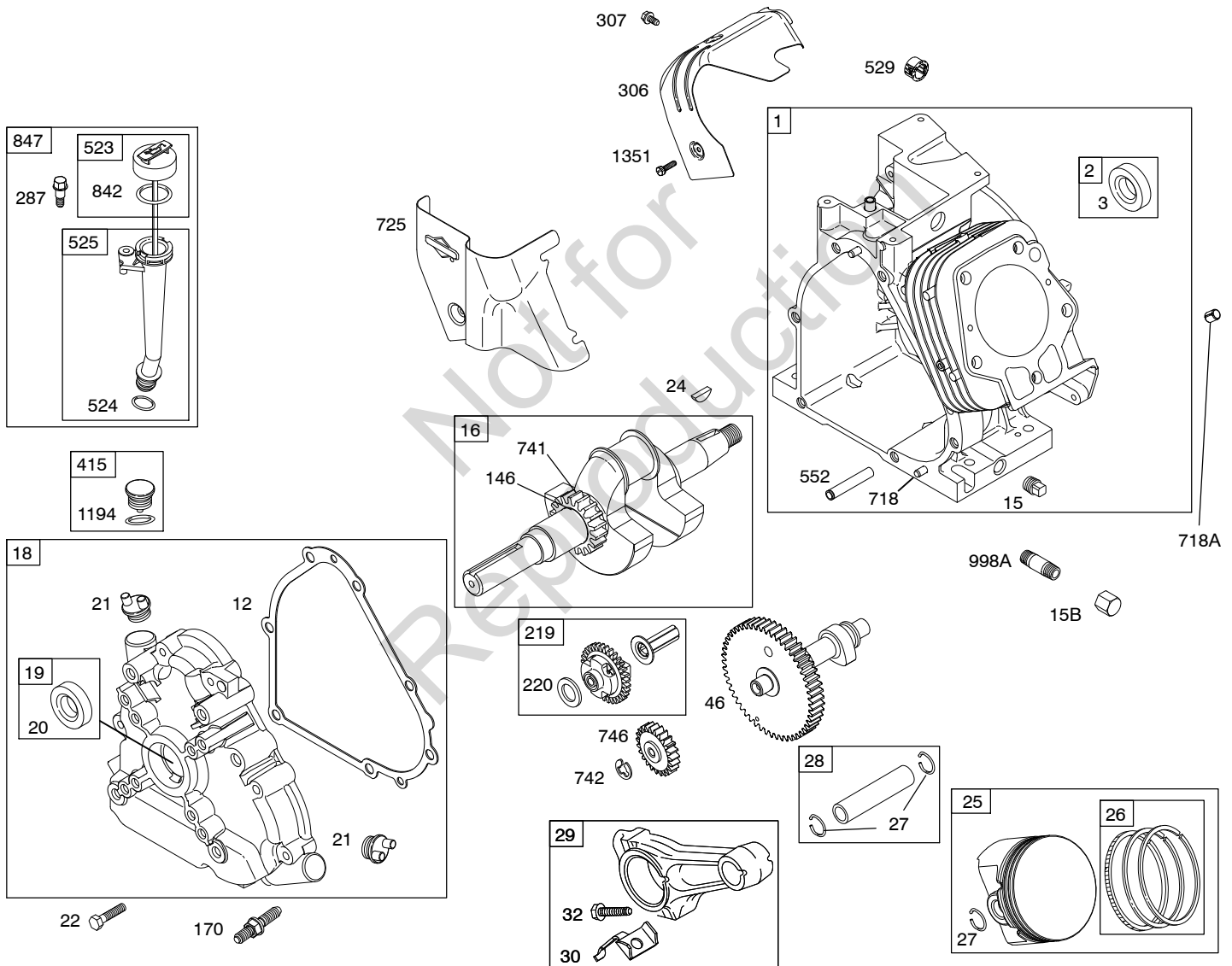
1058 OPERATOR'S MANUAL



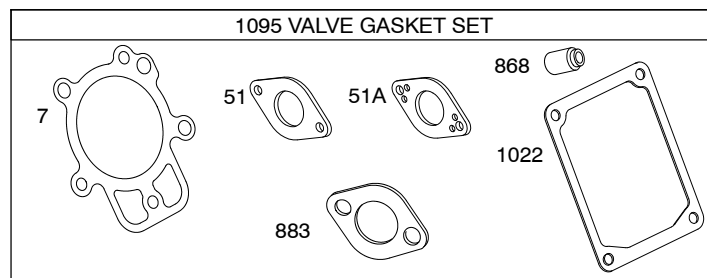
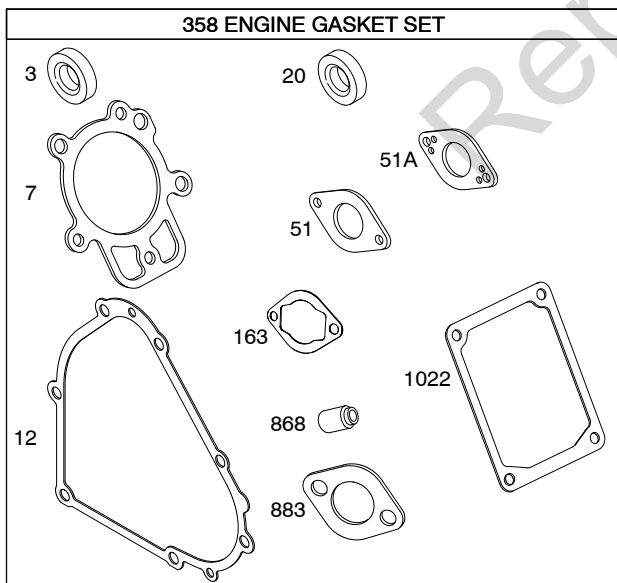
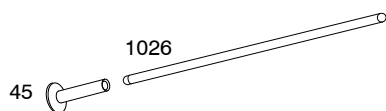
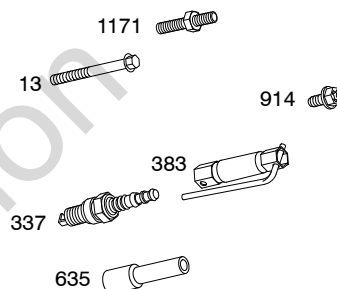
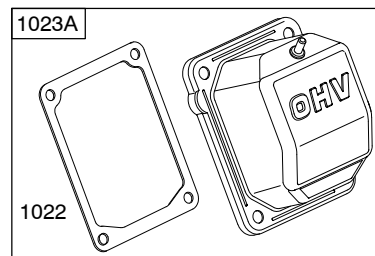
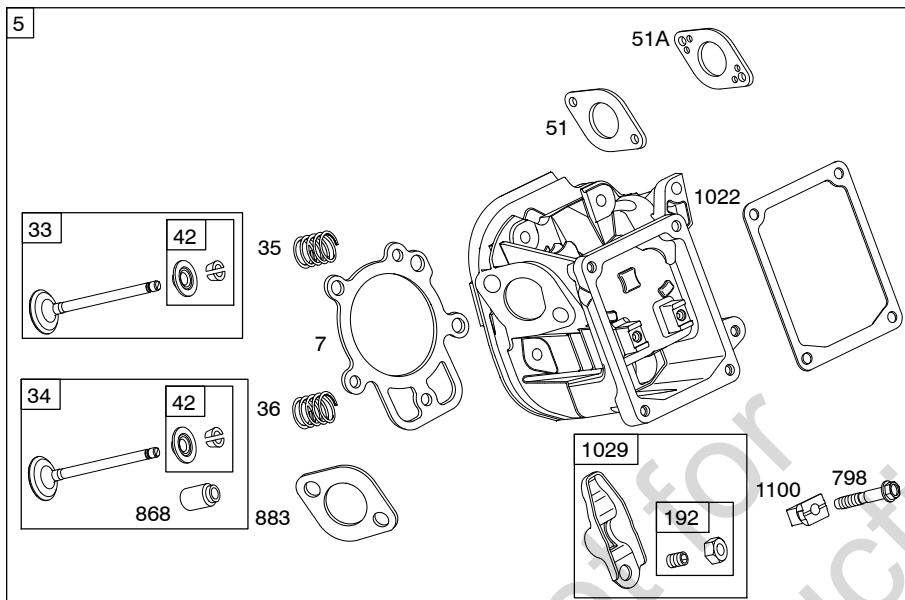
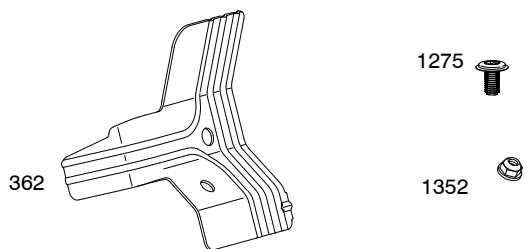
1319 WARNING LABEL

<b>WARNING</b>	
	Read and follow Operating Instructions before running engine.
	Gasoline is flammable. Allow engine to cool at least 2 minutes before refueling.
	Engines emit carbon monoxide, DO NOT run in enclosed area.
	Muffler area temperature may exceed 150°F. Do not touch hot parts.

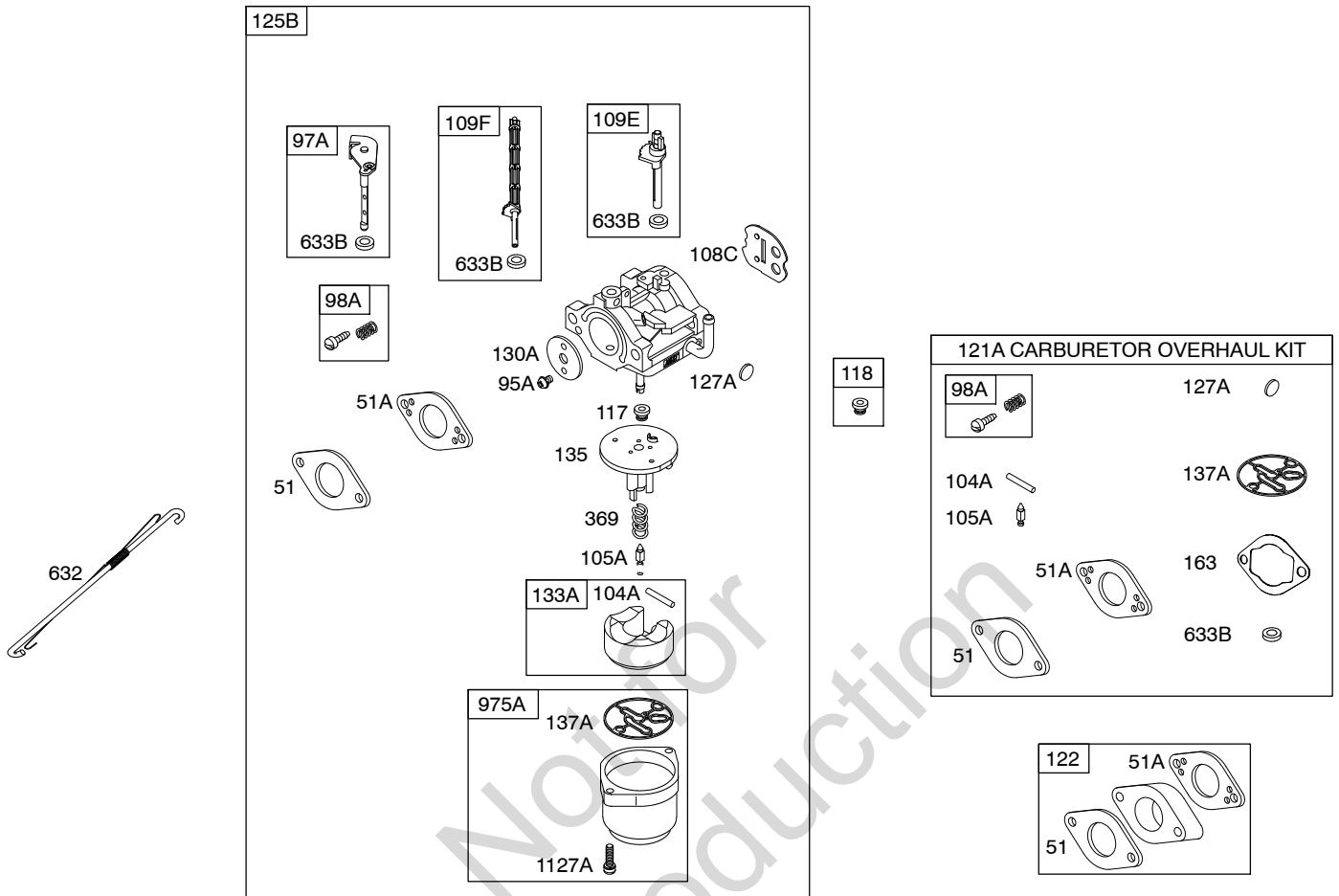
**REQUIRED** when replacing parts with warning labels affixed.



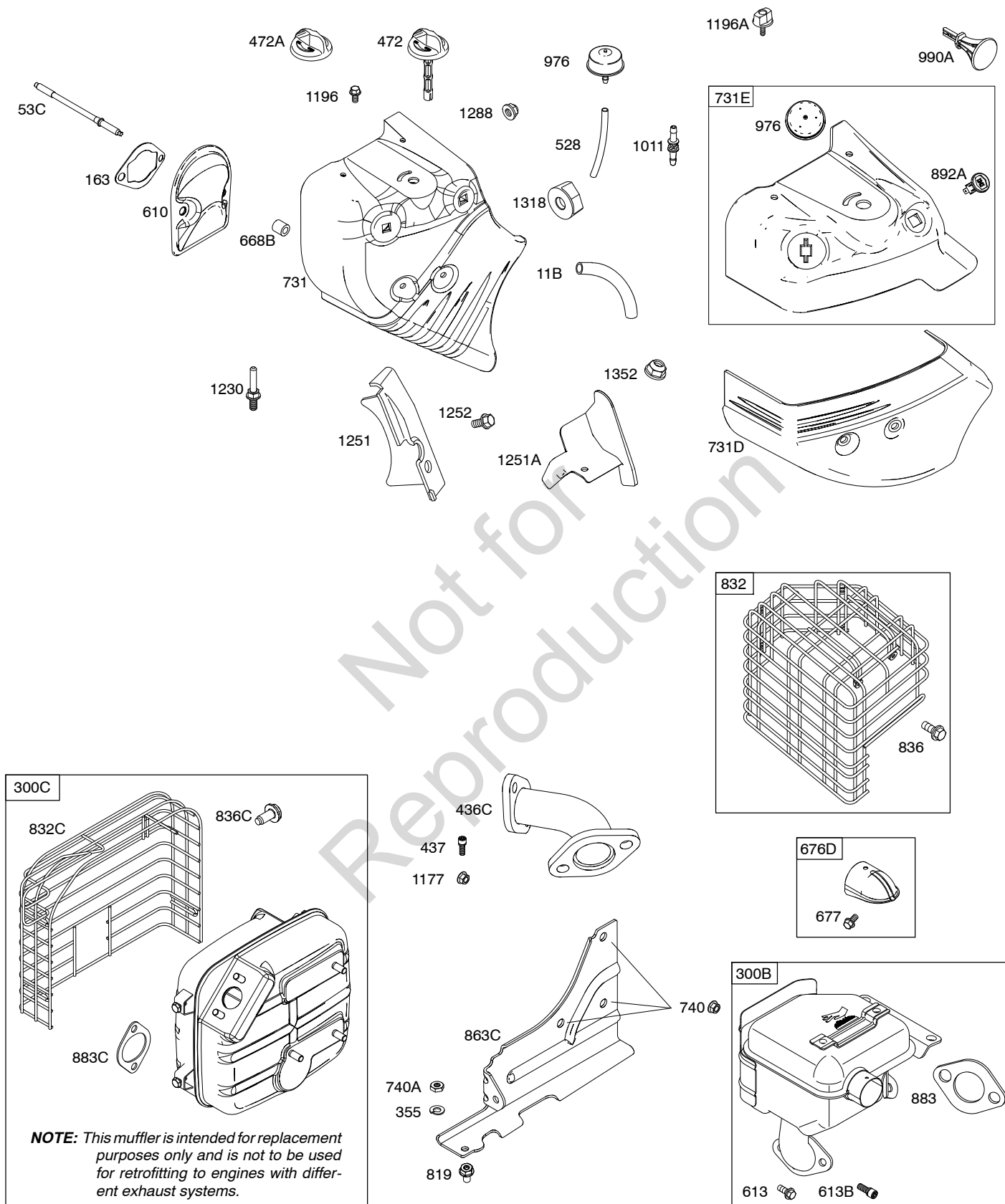
Illustrations cover a range of engines. Parts shown without corresponding text may not be used on your specific engine.  
 3418-2 Assemblies include all parts shown in frames. 10/07/2008



Illustrations cover a range of engines. Parts shown without corresponding text may not be used on your specific engine.

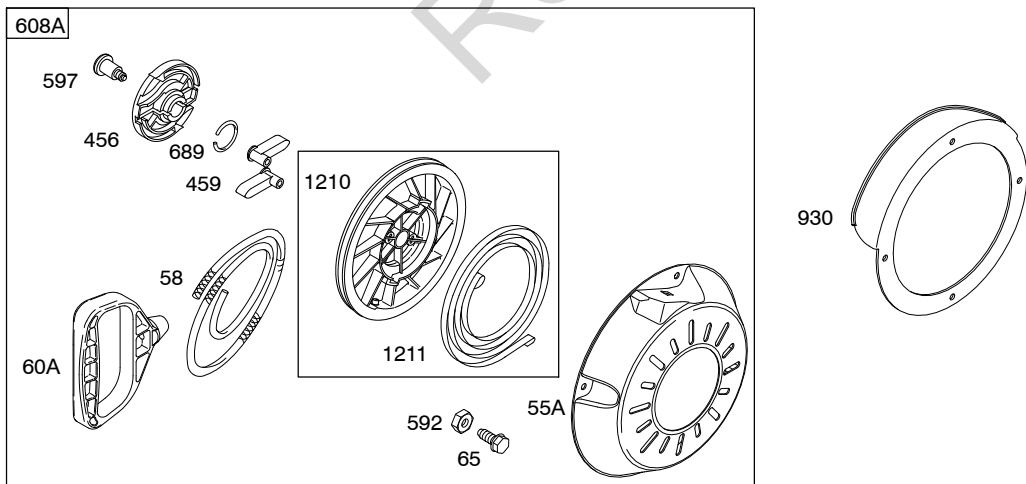
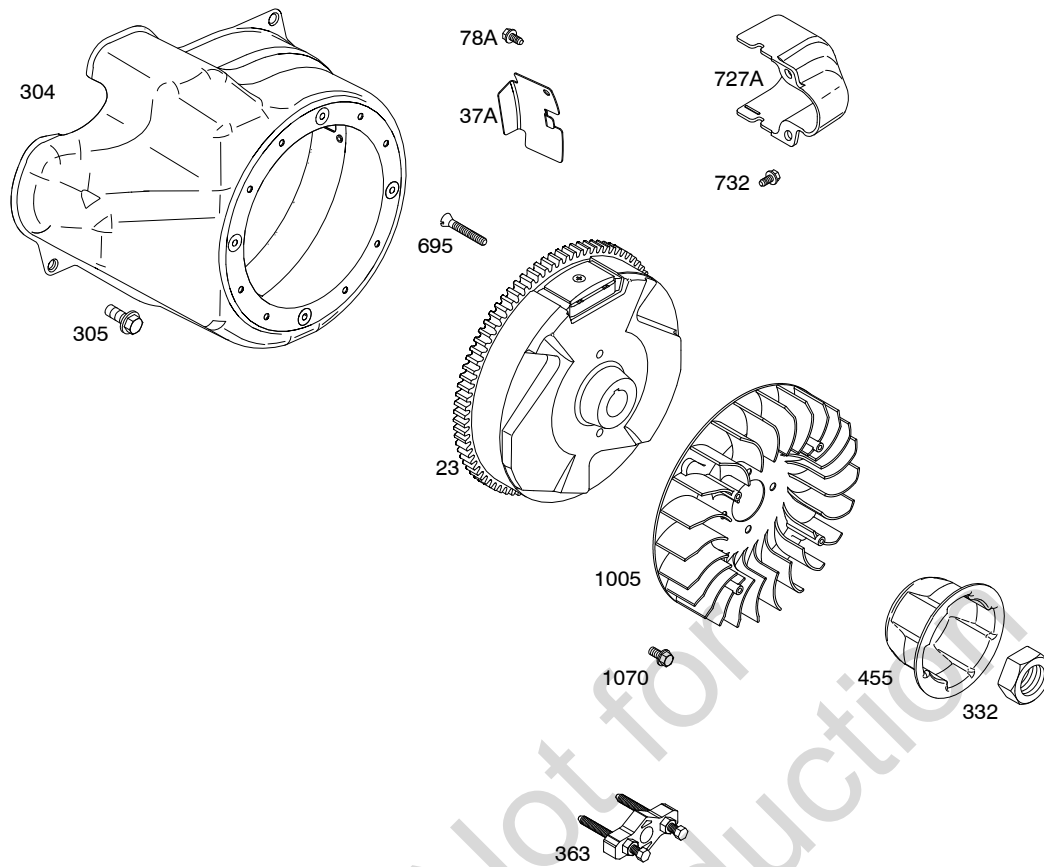


Illustrations cover a range of engines. Parts shown without corresponding text may not be used on your specific engine.  
 3418-4 Assemblies include all parts shown in frames. 10/07/2008

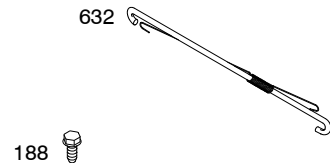
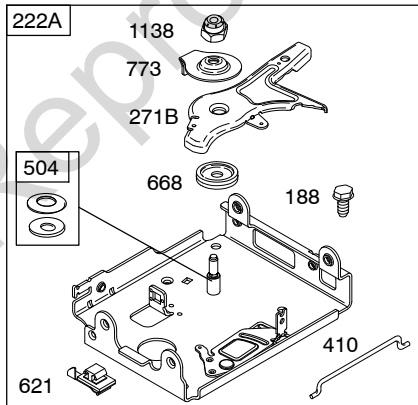
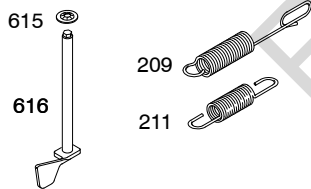
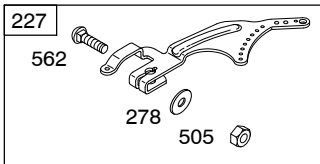
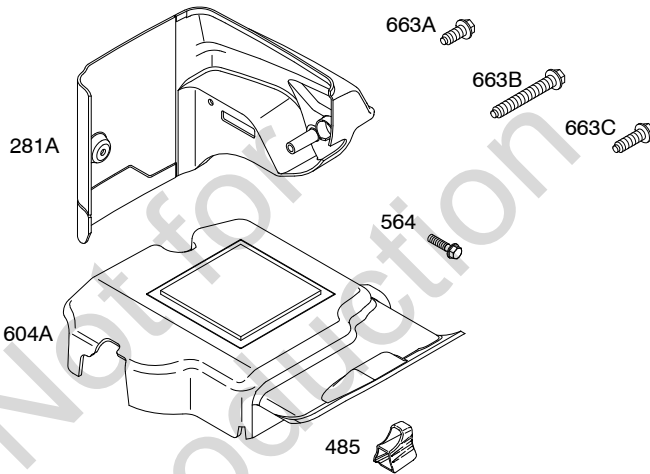
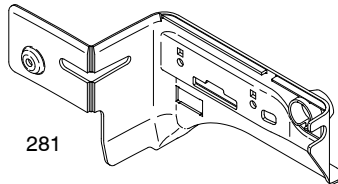
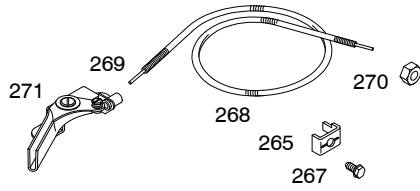


Illustrations cover a range of engines. Parts shown without corresponding text may not be used on your specific engine.  
 3418-5 Assemblies include all parts shown in frames. 10/07/2008

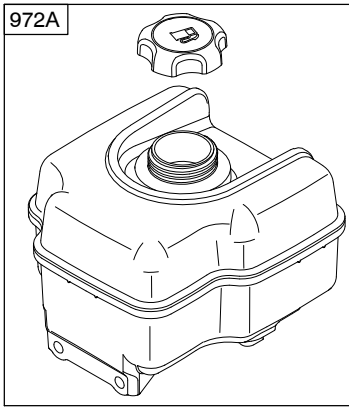
1036 EMISSIONS LABEL



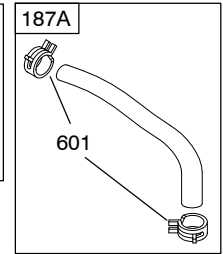
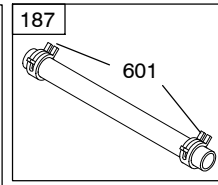
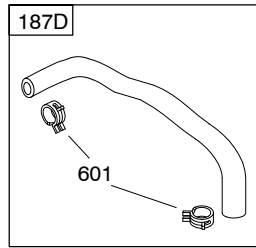
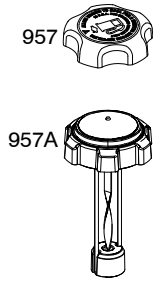
**Illustrations cover a range of engines. Parts shown without corresponding text may not be used on your specific engine.**  
**3418-6 Assemblies include all parts shown in frames. 10/07/2008**






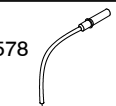





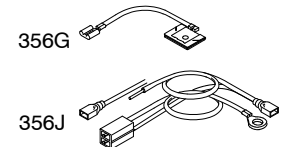
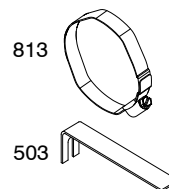
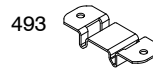
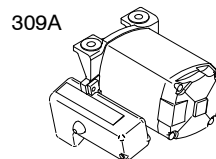
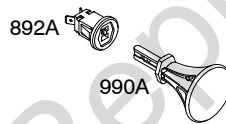
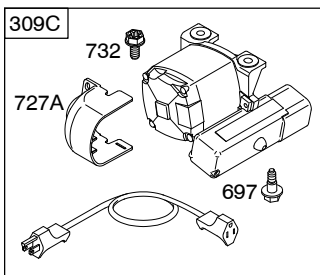
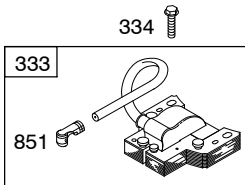
Illustrations cover a range of engines. Parts shown without corresponding text may not be used on your specific engine.  
 3418-7 Assemblies include all parts shown in frames. 10/07/2008



190 



	DC ONLY	DUAL CIRCUIT	5 - 9 AMP
	474A	474B	474C
			
	578 	878 	578 
<b>NOTE:</b> All stators use a No. 1119 mounting screw. 	<b>NOTE:</b> The proper flywheel part number and/or the alternator magnet size will determine the alternator type or output. See repair instruction manual for additional information.		526  501 





REF. NO.	PART NO.	DESCRIPTION	REF. NO.	PART NO.	DESCRIPTION	REF. NO.	PART NO.	DESCRIPTION
1	794849	Cylinder Assembly	30	694692	Dipper-Connecting Rod	170	695296	Stud (Crankcase Cover/Sump)
2	698340	Kit-Bushing/Seal (Magneto Side)	32	690976	Screw (Connecting Rod)	187	791766	Line-Fuel (15 Inches Long)(Cut To Required Length)
3	*391086S	Seal-Oil (Magneto Side)	33	499596	Valve-Exhaust	187A	791869	Line-Fuel (Used After Code Date 05063000).
5	793305	Head-Cylinder	34	795199	Valve-Intake	----- Note -----		
7	*Δ694872	Gasket-Cylinder Head	35	694865	Spring-Valve (Intake)	695429		Line-Fuel (Used Before Code Date 05070100).
11B	696750	Tube-Breather	36	694865	Spring-Valve (Exhaust)	187D	791879	Line-Fuel
12	*694953	Gasket-Crankcase	37A	699047	Guard-Flywheel	188	690877	Screw (Control Bracket)
13	690360	Screw (Cylinder Head)	42	499586	Keeper-Valve	190	692127	Screw (Fuel Tank)
15	691686	Plug-Oil Drain	45	690977	Tappet-Valve	192	690083	Adjuster-Rocker Arm
15B	695757	Plug-Oil Drain	46	790958	Camshaft	209	694867	Spring-Governor
16	794720	Crankshaft	51	*Δ694874	Gasket-Intake	211	695307	Spring-Governed Idle
18	791965	Cover-Crankcase	51A	*Δ694875	Gasket-Intake	219	693578	Gear-Governor
19	698340	Kit-Bushing/Seal (PTO Side)	53C	794542	Stud (Carburetor)	220	691724	Washer (Governor Gear)
20	*391086S	Seal-Oil (PTO Side)	55A	696710	Housing-Rewind Starter	222A	698034	Bracket-Control
21	281658S	Cap-Oil Fill	58	693389	Rope-Starter	227	694864	Lever-Governor Control
22	695174	Screw (Crankcase Cover/Sump)	60A	695740	Grip-Starter Rope	265	691024	Clamp-Casing
23	695485	Flywheel	65	697725	Screw (Rewind Starter)	267	692577	Screw (Casing Clamp)
24	222698S	Key-Flywheel	78A	695724	Screw (Flywheel Guard)	268	691025	Casing-Control Wire (Cut To Required Length)
25	792117	Piston Assembly (Standard)	95A	690718	Screw (Throttle Valve)	269	691026	Wire-Control (Cut To Required Length)
----- Note -----			97A	696387	Shaft-Throttle	270	691027	Nut (Control Wire Casing)
	792144	Piston Assembly (.020" Oversize)	98A	●695408	Kit-Idle Speed	271	691028	Lever-Control
26	792026	Ring Set (Standard) (Used After Code Date 05080900).	104A	●694918	Pin-Float Hinge	271B	698035	Lever-Control
----- Note -----			105A	●696136	Valve-Float Needle	278	792008	Washer (Governor Control Lever)
	694004	Ring Set (Standard) (Used Before Code Date 05081000).	108C	696736	Valve-Choke	281	697268	Panel-Control
	792073	Ring Set (.020" Oversize) (Used After Code Date 05080900).	109E	696735	Shaft-Choke	281A	697400	Panel-Control
	694008	Ring Set (.020" Oversize) (Used Before Code Date 05081000).	109F	793162	Shaft-Choke	----- Note -----		
27	690975	Lock-Piston Pin	117	●696134	Jet-Main (Standard)	698081		Panel-Control Used on Type No(s). 0358.
28	696581	Pin-Piston	118	696135	Jet-Main (High Altitude)	287	691693	Screw (Dipstick Tube)
29	694691	Rod-Connecting	121A	696146	Kit-Carburetor Overhaul			
			122	694876	Spacer-Carburetor			
			125B	794593	Carburetor			
			127A	●690727	Plug-Welch			
			130A	696139	Valve-Throttle			
			133A	694914	Float-Carburetor			
			135	696142	Tube-Fuel Transfer			
			137A	●695426	Gasket-Float Bowl			
			146	690979	Key-Timing			
			163	*●692277	Gasket-Air Cleaner			

\* Included in Engine Gasket Set-Ref. No. 358.

ΔIncluded in Valve Gasket Set-Ref. No. 1095.

● Included in Carburetor Overhaul Kit-Ref. No. 121A.

**Illustrations cover a range of engines. Parts shown without corresponding text may not be used on your specific engine.**

3418-9

**Assemblies include all parts shown in frames.**

10/07/2008

# 20E200

REF. NO.	PART NO.	DESCRIPTION	REF. NO.	PART NO.	DESCRIPTION	REF. NO.	PART NO.	DESCRIPTION
300B	794695	Muffler Used on Type No(s). 0015, 0110, 0111, 0112, 0113, 0118, 0119, 0358, 0359.	369	695422	Spring-Float Bowl	601	791850	Clamp-Hose
300C	793701	Muffler (This muffler is intended for replacement purposes only and is not to be used for retrofitting to engines with different exhaust systems)	383	19374S	Wrench-Spark Plug	604A	696758	Cover-Control
304	791478	Housing-Blower	410	695382	Link-Control	608A	699335	Starter-Rewind
305	691108	Screw (Blower Housing)	415	691363	Plug	610	794541	Arrester-Intake
306	697240	Shield-Cylinder	436C	792374	Manifold-Exhaust	613	695312	Screw (Muffler) (3/4" Long)
307	691660	Screw (Cylinder Shield)	437	696705	Screw (Exhaust Manifold)	613B	696705	Screw (Muffler) (TORX HEAD)
309A	793524	Motor-Starter Used on Type No(s). 0015, 0111, 0118, 0358.	455	697226	Cup-Flywheel	615	694676	Retainer-Governor Shaft
		----- Note ----- 792157 Motor-Starter Used on Type No(s). 0112, 0113, 0359.	456	692299	Plate-Pawl Friction	616	694675	Crank-Governor
309C	698311	Motor-Starter Used on Type No(s). 0110, 0119.	459	281505S	Pawl-Ratchet	621	692310	Switch-Stop
332	694685	Nut (Flywheel)	472	696752	Knob-Choke Shaft	632	695917	Spring/Link- Mechanical Governor
333	492341	Armature-Magneto	472A	791958	Knob-Choke Shaft	633B	690998	Seal-Choke/Throttle Shaft (1 3/4" Long)
334	691061	Screw (Magneto Armature)	474A	791743	Alternator Used on Type No(s). 0111, 0112, 0113, 0118, 0358.	635	691909	Boot-Spark Plug
337	491055S	Plug-Spark Used on Type No(s). 0358.	474C	698314	Alternator Used on Type No(s). 0110, 0119, 0359.	663A	696685	Screw (Control Panel) (7/16" Long)
		----- Note ----- 691043 Plug-Spark Used on Type No(s). 0015, 0110, 0111, 0112, 0113, 0118, 0119, 0359.	485	695755	Knob-Control	663B	696704	Screw (Control Panel) (1 3/4" Long)
355	691075	Washer (Muffler Bracket)	493	691177	Bracket-Mounting	663C	790282	Screw (Control Panel) (5/8" Long)
356G	696748	Wire-Stop	501	698315	Regulator Used on Type No(s). 0110, 0119, 0359.	668	694257	Spacer (Control Bracket)
356J	793206	Wire-Stop	503	698318	Strap-Starter	668B	794539	Spacer (Snow Hood)
358	795201	Gasket Set-Engine	504	695383	Washer Set-Friction	676D	794213	Deflector-Muffler
362	698041	Shield-Spark Plug	505	691251	Nut (Governor Control Lever)	677	691660	Screw (Muffler Deflector)
363	19203	Puller-Flywheel	523	695344	Dipstick	689	691855	Spring-Friction
			524	691876	Seal-Dipstick Tube	695	698807	Screw (Ring Gear)
			525	695343	Tube-Dipstick	697	698113	Screw (Drive Cap)
			526	690297	Screw (Regulator)	718	690959	Pin-Locating (Cylinder)
			528	793006	Hose-Primer (Cut to Required Length)	718A	695178	Pin-Locating (Head)
			529	791822	Grommet	725	696756	Shield-Heat
			552	694674	Bushing-Governor Crank	727A	697465	Cover-Starter Drive
			562	793216	Bolt (Governor Control Lever)	731	794591	Hood-Snow
			564	696692	Screw (Control Cover)	731D	794550	Hood-Snow
			592	690800	Nut (Rewind Starter)	731E	793174	Hood-Snow
			597	691696	Screw (Pawl Friction Plate)	732	691097	Screw (Starter Drive Cover)

★ Included in Engine Gasket Set-Ref. No. 358.

● Included in Carburetor Overhaul Kit-Ref. No. 121A.

△ Included in Valve Gasket Set-Ref. No. 1095.

**Illustrations cover a range of engines. Parts shown without corresponding text may not be used on your specific engine.**

3418-10

**Assemblies include all parts shown in frames.**

10/07/2008

REF. NO.	PART NO.	DESCRIPTION	REF. NO.	PART NO.	DESCRIPTION	REF. NO.	PART NO.	DESCRIPTION
740	710090	Nut (Muffler Bracket)	972A	694260	Tank-Fuel (Plastic) Used on Type No(s). 0015, 0110, 0111, 0112, 0113, 0118, 0119, 0358, 0359.	1127A	695407	Screw (Float Bowl)
740A	793859	Nut (Muffler Bracket)				1138	694255	Nut (Control Bracket)
741	691288	Gear-Timing				1171	696754	Stud (Rocker Cover)
742	692564	Retainer-E Ring				1177	710090	Nut (Muffler)
746	694679	Gear-Idler	975A	696138	Bowl-Float	1194	691876	Seal-O Ring (Plug)
773	694258	Retainer	976	793382	Primer-Carburetor Used on Type No(s). 0113, 0118, 0119. ----- Note ----- <b>790221</b> Primer- Carburetor Used on Type No(s). 0110, 0358, 0359. <b>793382</b> Primer- Carburetor (Used After Code Date 07042600). <b>790221</b> Primer- Carburetor (Used Before Code Date 07042700). Used on Type No(s). 0015, 0111, 0112.	1196	699166	Screw (Snow Hood)
798	697890	Screw (Rocker Arm)				1196A	696692	Screw (Snow Hood)
813	690635	Clamp				1210	498144	Pulley/Spring Assembly (Pulley)
819	690352	Screw (Muffler Bracket)				1211	498144	Pulley/Spring Assembly (Spring)
832	699223	Guard-Muffler Used on Type No(s). 0015, 0112, 0113, 0358, 0359.				1230	696747	Stud (Control Bracket)
832C	792380	Guard-Muffler				1251	696762	Shield-Snow
836	691003	Screw (Muffler Guard) Used on Type No(s). 0015, 0112, 0113, 0358, 0359.				1251A	790471	Shield-Snow
836C	710023	Screw (Muffler Guard)				1252	691108	Screw (Snow Shield) ----- Note ----- <b>691108</b> Screw (Snow Shield) (Used After Code Date 06051400). Used on Type No(s). 0110, 0359. <b>696763</b> Screw (Snow Shield) (Used Before Code Date 06051500). Used on Type No(s). 0110, 0359.
842	691031	Seal-O Ring (Dipstick Tube)	990A	695756	Key Set			
847	695342	Dipstick/Tube Assembly	998A	696683	Pipe-Oil			
863C	793700	Bracket-Muffler	1005	694684	Fan-Flywheel			
868	★△794086	Seal-Valve	1011	794544	Tube-Vent			
878	398661	Harness - Alternator	1022	★△690971	Gasket-Rocker Cover			
883	★△695398	Gasket-Exhaust	1023A	698042	Cover-Rocker			
883C	710250	Gasket-Exhaust	1026	695177	Rod-Push			
892A	791944	Switch-Key	1029	690972	Arm-Rocker (Available From A Briggs & Stratton Authorized Dealer)			
914	693732	Screw (Rocker Cover)						
930	696709	Guard-Rewind	1036		Label-Emissions			
957	792647	Cap-Fuel Tank (Plastic) Used on Type No(s). 0015, 0110, 0111, 0112, 0113, 0118, 0119, 0359.	1058	277104TRI	Manual-Operator's ----- Note ----- <b>277104WST</b> Manual- Operator's Used on Type No(s). 0015, 0112, 0113, 0359.			
957A	698109	Cap-Fuel Tank (Plastic) Used on Type No(s). 0358.	1070	691058	Screw (Flywheel Fan)	1275	696692	Screw (Rocker Cover)
958	698180	Valve-Fuel Shut Off (Plastic)	1095	795200	Gasket Set-Valve	1288	696757	Nut (Snow Hood)
			1100	791959	Pivot-Rocker Arm	1318	698111	Knob-Snow Hood
			1119	691183	Screw (Alternator)	1319	794467	Label-Warning
						1351	790017	Stud (Cylinder Shield)
						1352	790026	Nut (Spark Plug Shield)

★ Included in Engine Gasket Set-Ref. No. 358.

△Included in Valve Gasket Set-Ref. No. 1095.

● Included in Carburetor Overhaul Kit-Ref. No. 121A.

*Illustrations cover a range of engines. Parts shown without corresponding text may not be used on your specific engine.*

Not for  
Reproduction



## Free Manuals Download Website

<http://myh66.com>

<http://usermanuals.us>

<http://www.somanuals.com>

<http://www.4manuals.cc>

<http://www.manual-lib.com>

<http://www.404manual.com>

<http://www.luxmanual.com>

<http://aubethermostatmanual.com>

Golf course search by state

<http://golfingnear.com>

Email search by domain

<http://emailbydomain.com>

Auto manuals search

<http://auto.somanuals.com>

TV manuals search

<http://tv.somanuals.com>