



Illustrated Parts List

Model Series

20G400

TYPE NUMBERS
0017 through 0222.

TABLE OF CONTENTS

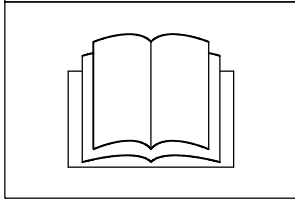
Alternator	8
Blower Housing/Shrouds	6
Camshaft	2
Carburetor	4
Controls	6
Crankcase Cover	7
Crankshaft	2
Cylinder	2
Cylinder Head	3
Electric Starter	8
Exhaust System	5
Flywheel	6
Fuel Supply	8
Gasket Set - Engine	3
Gasket Set - Valve	3
Governor Spring	7
Ignition	8
Kit - Carburetor Overhaul	4
Lubrication	2
Operator's Manual	2
Piston/Rings/Connecting Rod	2
Rewind Starter	4
Valves	3
Warning Label	2



PRINTED IN U.S.A.

COPYRIGHT by BRIGGS & STRATTON CORPORATION
All rights reserved. No part of this material may be reproduced or transmitted, in any form or by any means, electronic or mechanical, including photocopying, recording or by any information storage and retrieval system, without permission in writing from Briggs & Stratton Corporation.

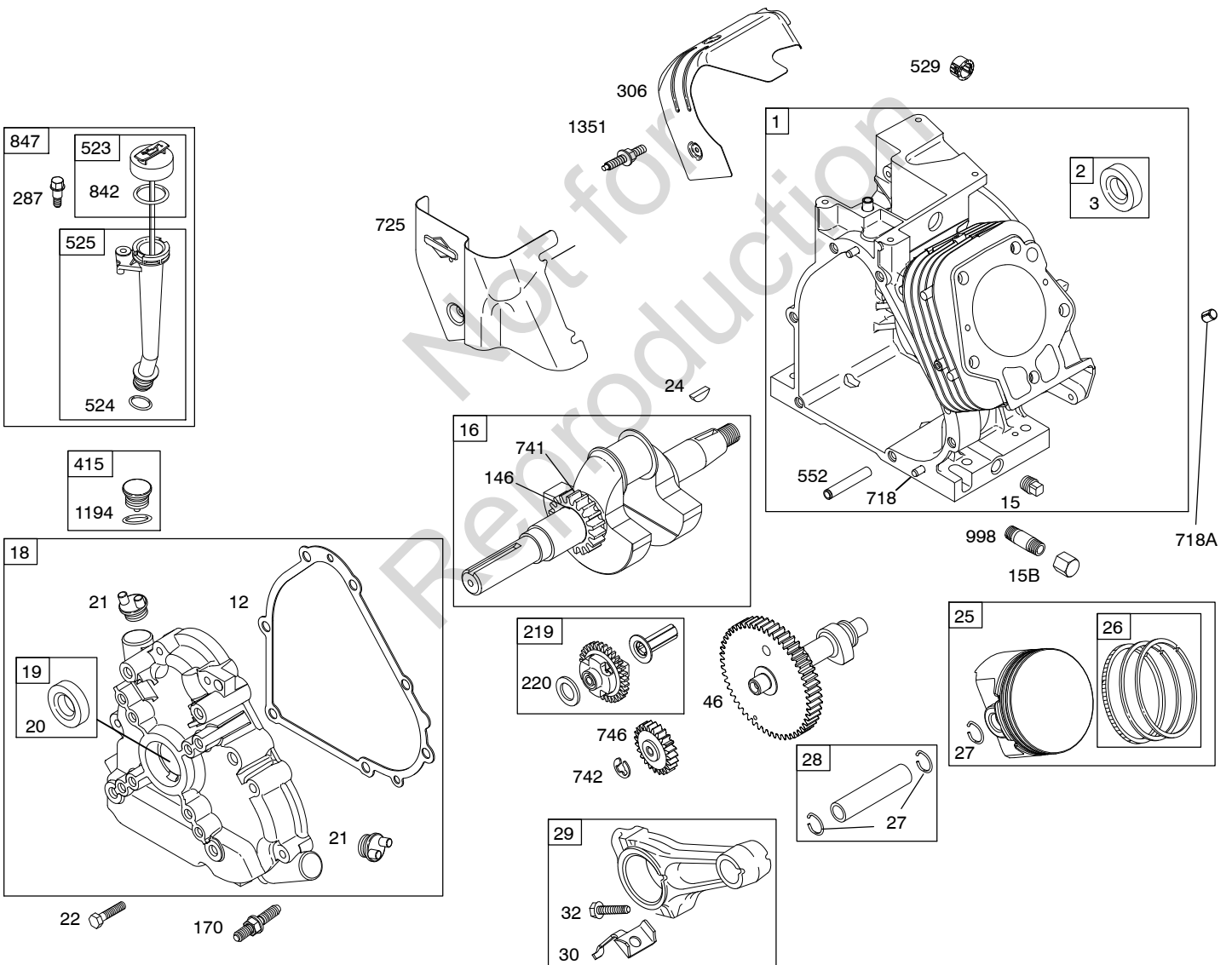
1058 OPERATOR'S MANUAL



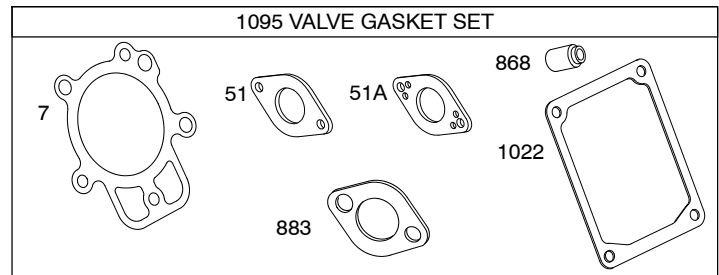
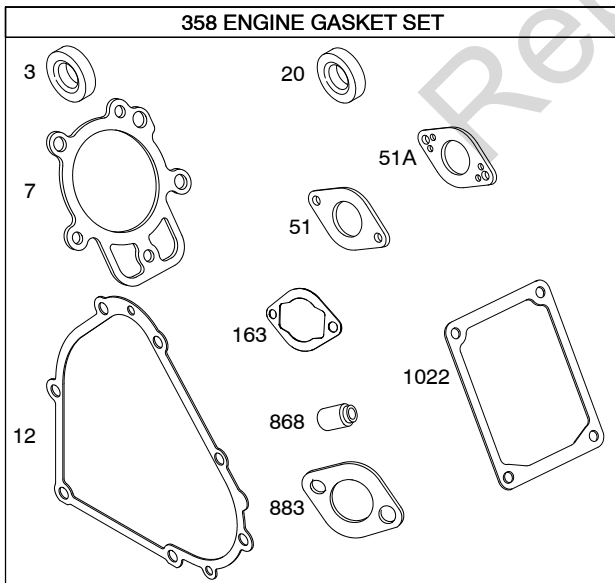
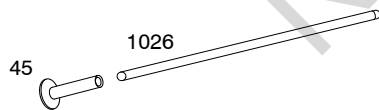
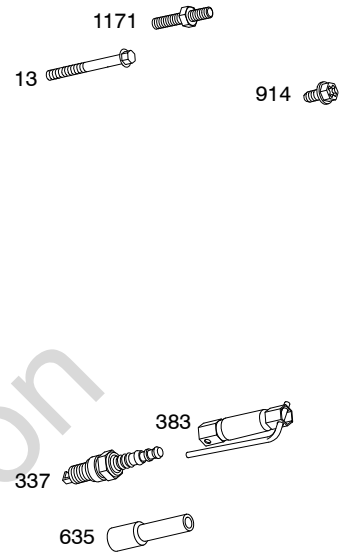
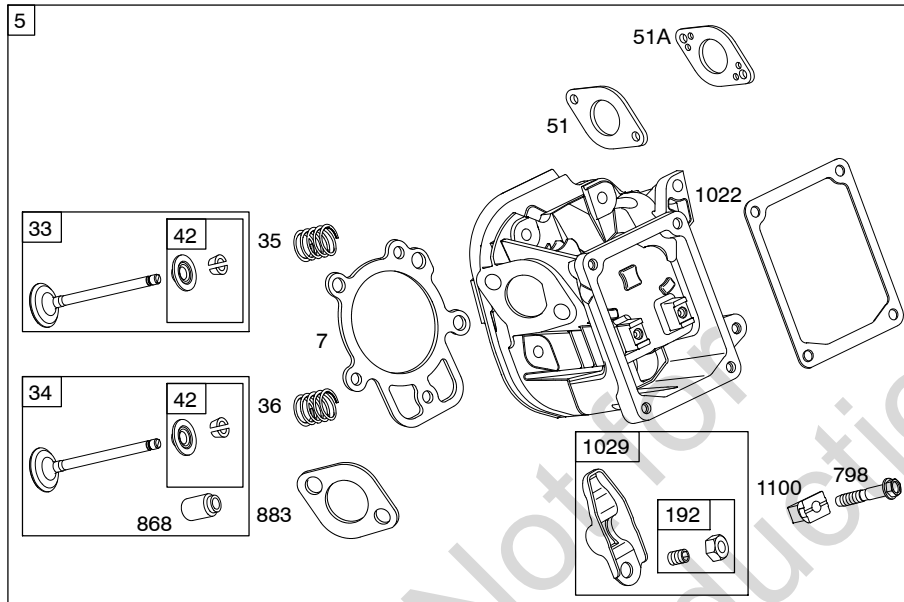
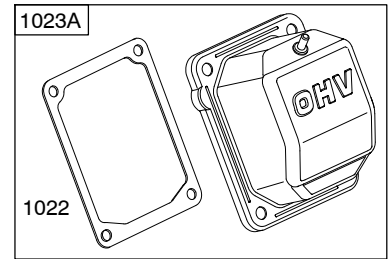
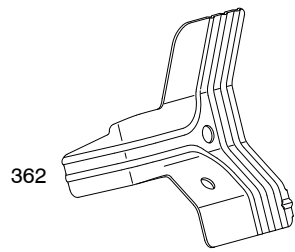
1319 WARNING LABEL

WARNING	
	Read and follow Operating Instructions before running engine.
	Gasoline is flammable. Allow engine to cool at least 2 minutes before refueling.
	Engines emit carbon monoxide, DO NOT run in enclosed area.
	Muffler area temperature may exceed 150°F. Do not touch hot parts.

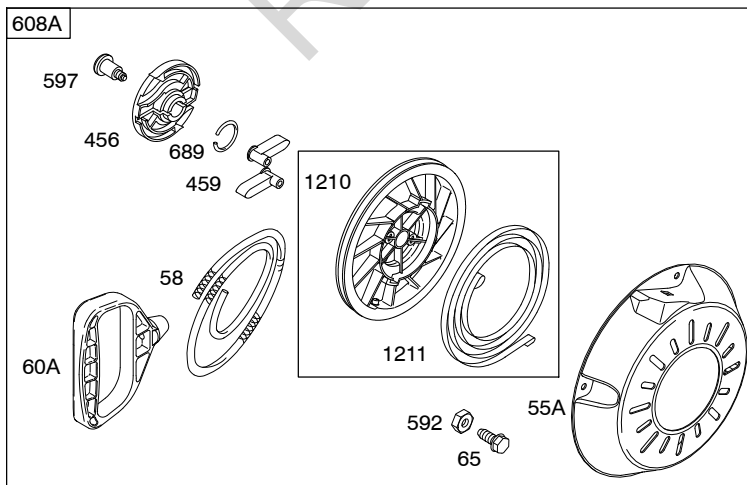
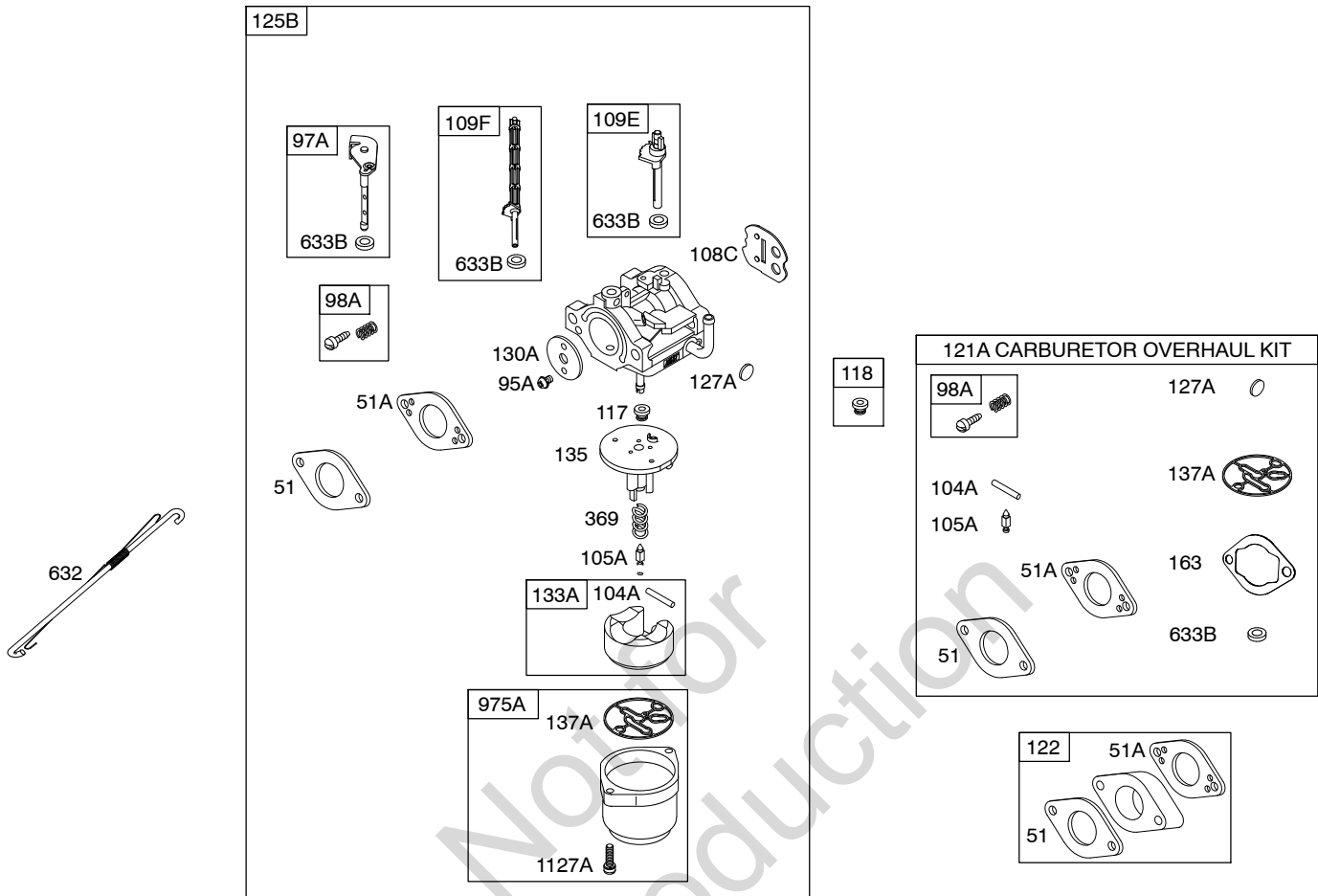
REQUIRED when replacing parts with warning labels affixed.



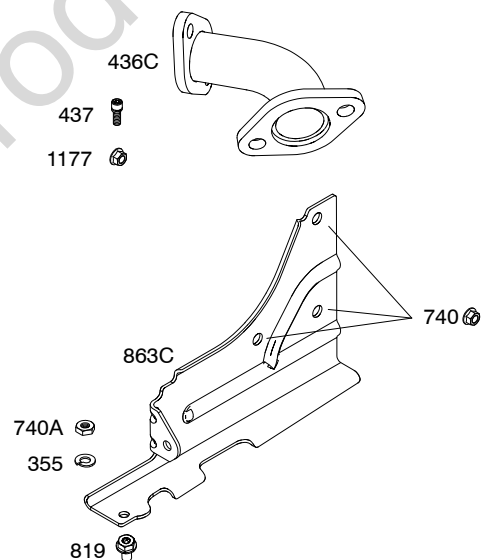
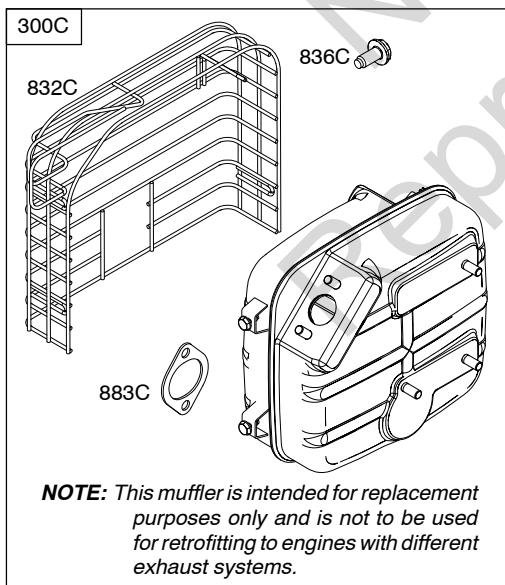
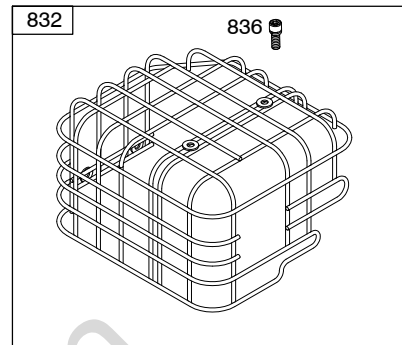
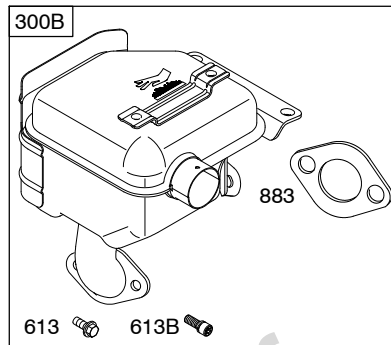
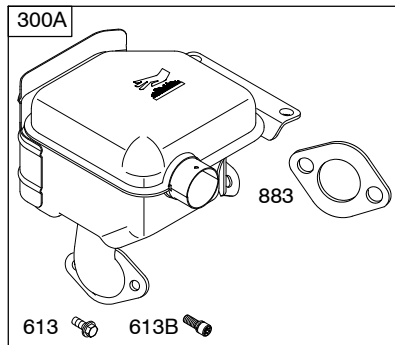
Illustrations cover a range of engines. Parts shown without corresponding text may not be used on your specific engine.
 5547-2 Assemblies include all parts shown in frames. 10/07/2008



Illustrations cover a range of engines. Parts shown without corresponding text may not be used on your specific engine.
5547-3 Assemblies include all parts shown in frames. 10/07/2008

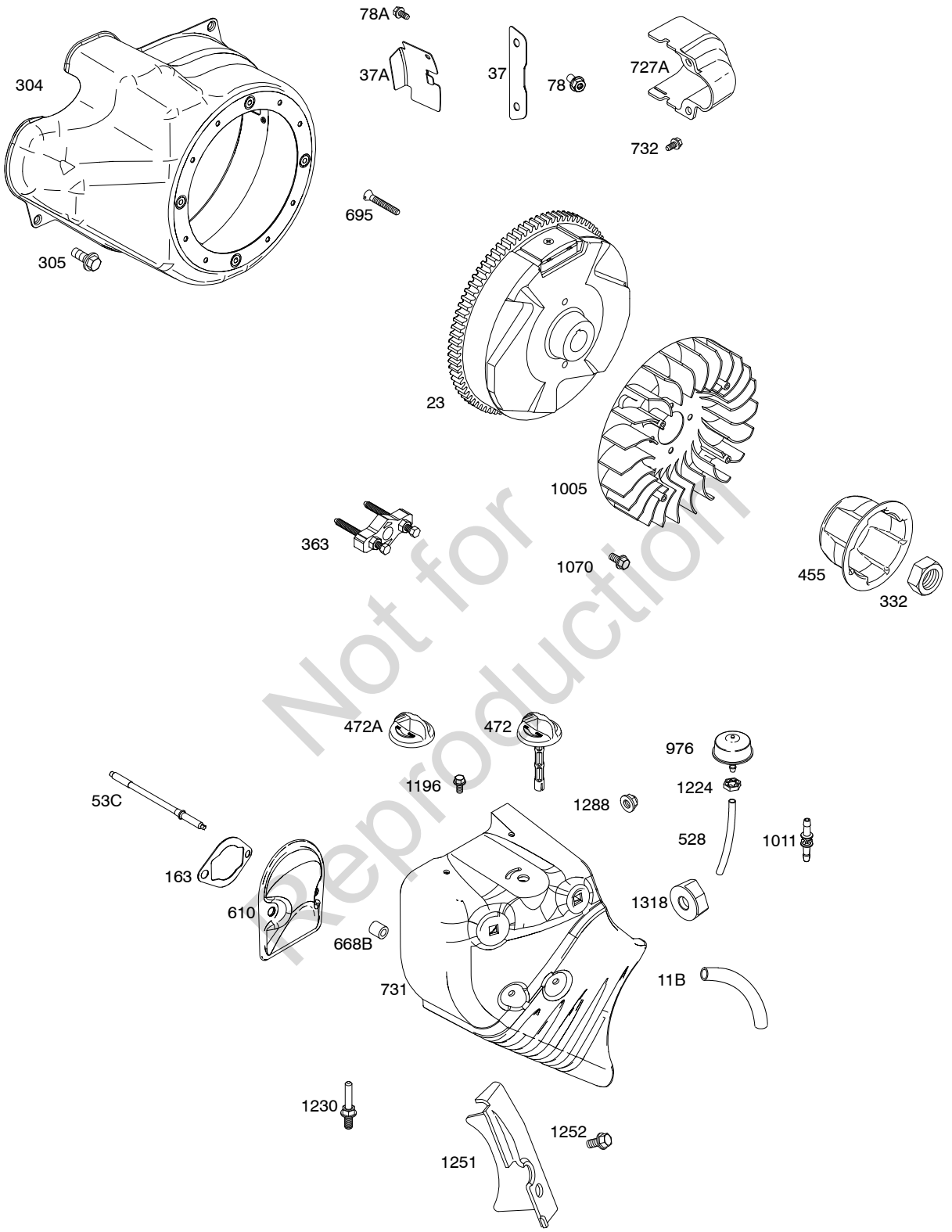


Illustrations cover a range of engines. Parts shown without corresponding text may not be used on your specific engine.
5547-4 **Assemblies include all parts shown in frames.** **10/07/2008**

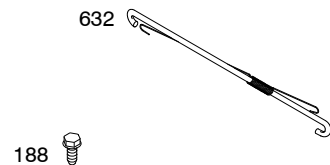
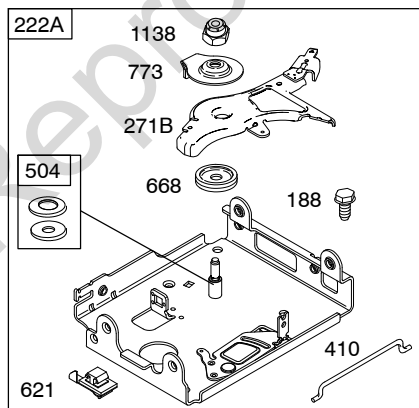
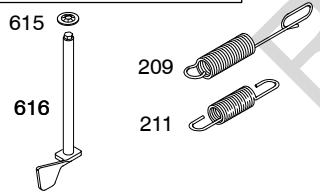
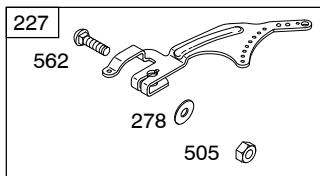
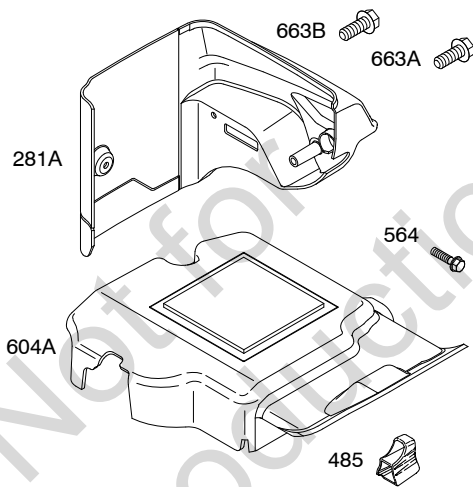
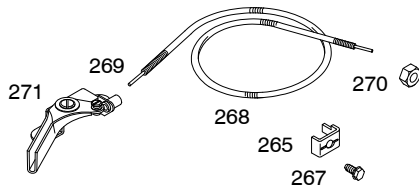


Illustrations cover a range of engines. Parts shown without corresponding text may not be used on your specific engine.
 5547-5 Assemblies include all parts shown in frames. 10/07/2008

1036 EMISSIONS LABEL

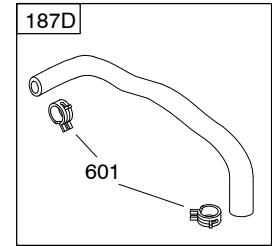
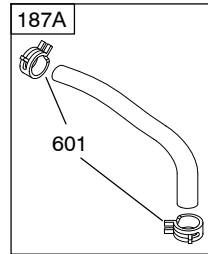
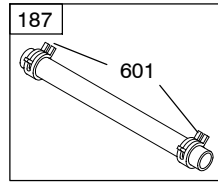
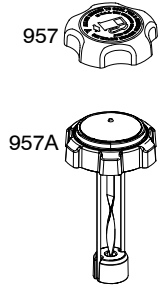
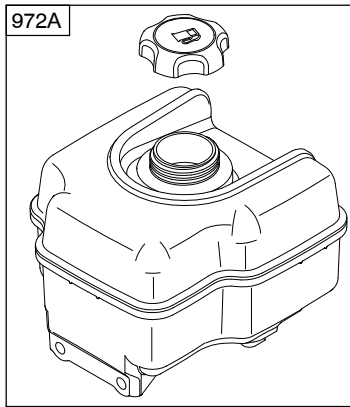


Illustrations cover a range of engines. Parts shown without corresponding text may not be used on your specific engine.
5547-6 Assemblies include all parts shown in frames. 10/07/2008

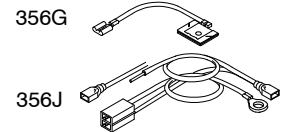
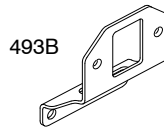
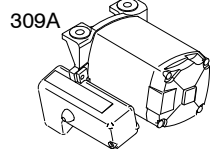
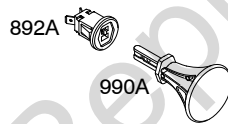
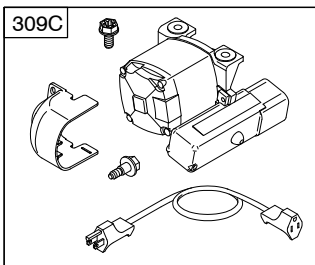
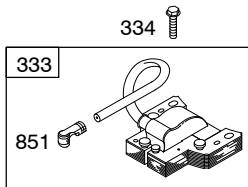


Illustrations cover a range of engines. Parts shown without corresponding text may not be used on your specific engine.
 5547-7 Assemblies include all parts shown in frames. 10/07/2008

20G400



AC ONLY	DC ONLY	DUAL CIRCUIT	5 - 9 AMP
474	474A	474H	474C
<p>NOTE: All stators use a No. 1119 mounting screw. </p> <p>NOTE: The proper flywheel part number and/or the alternator magnet size will determine the alternator type or output. See repair instruction manual for additional information.</p>			



Illustrations cover a range of engines. Parts shown without corresponding text may not be used on your specific engine.
 5547-8 Assemblies include all parts shown in frames. 10/07/2008

REF. NO.	PART NO.	DESCRIPTION	REF. NO.	PART NO.	DESCRIPTION	REF. NO.	PART NO.	DESCRIPTION		
1	794849	Cylinder Assembly	26	792026	Ring Set (Standard) (Used After Code Date 05080900).	78A	695724	Screw (Flywheel Guard) Used on Type No(s). 0100, 0110.		
2	698340	Kit-Bushing/Seal (Magneto Side)			----- Note -----	95A	690718	Screw (Throttle Valve)		
3	★391086S	Seal-Oil (Magneto Side)			694004 Ring Set (Standard) (Used Before Code Date 05081000).	97A	696387	Shaft-Throttle		
5	793305	Head-Cylinder			792073 Ring Set (.020" Oversize) (Used After Code Date 05080900).	98A	●695408	Kit-Idle Speed		
7	★Δ694872	Gasket-Cylinder Head			694008 Ring Set (.020" Oversize) (Used Before Code Date 05081000).	104A	●694918	Pin-Float Hinge		
11B	696750	Tube-Breather				105A	●696136	Valve-Float Needle		
12	★694953	Gasket-Crankcase				108C	696736	Valve-Choke		
13	690360	Screw (Cylinder Head)				109E	696735	Shaft-Choke		
15	691686	Plug-Oil Drain				109F	793162	Shaft-Choke		
15B	695757	Plug-Oil Drain				117	●696134	Jet-Main (Standard)		
16	794720	Crankshaft Used on Type No(s). 0017, 0019, 0110, 0111, 0222, 0368.				118	696135	Jet-Main (High Altitude)		
		----- Note -----	27	690975	Lock-Piston Pin	121A	696146	Kit-Carburetor Overhaul (Nikki Carburetor)		
		794716 Crankshaft Used on Type No(s). 0100.	28	696581	Pin-Piston			122	694876	Spacer-Carburetor
18	791965	Cover-Crankcase	29	694691	Rod-Connecting	125B	794593	Carburetor		
19	698340	Kit-Bushing/Seal (PTO Side)	30	694692	Dipper-Connecting Rod	127A	●690727	Plug-Welch		
20	★391086S	Seal-Oil (PTO Side)	32	690976	Screw (Connecting Rod)	130A	696139	Valve-Throttle		
21	281658S	Cap-Oil Fill	33	499596	Valve-Exhaust	133A	694914	Float-Carburetor		
22	695174	Screw (Crankcase Cover/ Sump)	34	795199	Valve-Intake	135	696142	Tube-Fuel Transfer		
23	695485	Flywheel Used on Type No(s). 0017, 0019, 0100, 0110, 0111, 0222, 0368.	35	694865	Spring-Valve (Intake)	137A	●695426	Gasket-Float Bowl		
24	222698S	Key-Flywheel	36	694865	Spring-Valve (Exhaust)	146	690979	Key-Timing		
25	792117	Piston Assembly (Standard)	37	790730	Guard-Flywheel Used on Type No(s). 0100.	163	★692277	Gasket-Air Cleaner		
		----- Note -----	37A	699047	Guard-Flywheel Used on Type No(s). 0100, 0110.	170	695296	Stud (Crankcase Cover/ Sump)		
		792144 Piston Assembly (.020" Oversize)	42	499586	Keeper-Valve	187	791766	Line-Fuel (15 Inches Long) (Cut To Required Length)		
			45	690977	Tappet-Valve	187A	791869	Line-Fuel (Used After Code Date 05063000).		
			46	790958	Camshaft			----- Note -----		
			51	★●Δ694874	Gasket-Intake			695429 Line-Fuel (Used Before Code Date 05070100).		
			51A	★●Δ694875	Gasket-Intake	187D	791879	Line-Fuel (Used After Code Date 05063000).		
			53C	794542	Stud (Carburetor)			----- Note -----		
			55A	696710	Housing-Rewind Starter			698080 Line-Fuel (Used Before Code Date 05070100).		
			58	693389	Rope-Starter					
			60A	699334	Grip-Starter Rope					
			65	697725	Screw (Rewind Starter)					
			78	690372	Screw (Flywheel Guard) Used on Type No(s). 0100, 0110.					

★ Included in Engine Gasket Set-Ref. No. 358.

Δ Included in Valve Gasket Set-Ref. No. 1095.

● Included in Carburetor Overhaul Kit-Ref. No. 121A.

Illustrations cover a range of engines. Parts shown without corresponding text may not be used on your specific engine.

5547-9

Assemblies include all parts shown in frames.

10/07/2008

20G400

REF. NO.	PART NO.	DESCRIPTION	REF. NO.	PART NO.	DESCRIPTION	REF. NO.	PART NO.	DESCRIPTION
188	690877	Screw (Control Bracket)	304	791478	Housing-Blower	501	698315	Regulator
190	692127	Screw (Fuel Tank)	305	691108	Screw (Blower Housing)			Used on Type No(s). 0017, 0110, 0111.
192	690083	Adjuster-Rocker Arm	306	697240	Shield-Cylinder	503	698318	Strap-Starter
209	694867	Spring-Governor	309A	793524	Motor-Starter Used on Type No(s). 0019, 0222, 0368.			Used on Type No(s). 0017, 0111.
211	695307	Spring-Governor Idle	309C	698311	Motor-Starter Used on Type No(s). 0017, 0111.	504	695383	Washer Set-Friction
219	693578	Gear-Governor				505	691251	Nut (Governor Control Lever)
220	691724	Washer (Governor Gear)	318	690372	Screw (Mounting Bracket)	523	695344	Dipstick
222A	698034	Bracket-Control	332	694685	Nut (Flywheel)	524	691876	Seal-Dipstick Tube
227	694864	Lever-Governor Control	333	492341	Armature-Magneto	525	695343	Tube-Dipstick
265	691024	Clamp-Casing	334	691061	Screw (Magneto Armature)	526	690297	Screw (Regulator)
267	692577	Screw (Casing Clamp)	337	491055S	Plug-Spark Used on Type No(s). 0017, 0019, 0100, 0111, 0222, 0368.			Used on Type No(s). 0017, 0110, 0111.
268	691025	Casing-Control Wire (Cut to Required Length)			----- Note ----- 691043 Plug-Spark Used on Type No(s). 0110.	528	793006	Hose-Primer (Cut to Required Length)
269	691026	Wire-Control (Cut to Required Length)	355	691075	Washer (Muffler Bracket)	529	791822	Grommet
270	691027	Nut (Control Wire Casing)	356G	696748	Wire-Stop	552	694674	Bushing-Governor Crank
271	696697	Lever-Control	356J	696700	Wire-Stop	562	793216	Bolt (Governor Control Lever)
271B	698035	Lever-Control	358	795201	Gasket Set-Engine	564	696692	Screw (Control Cover)
278	792008	Washer (Governor Control Lever)	362	698041	Shield-Spark Plug	592	690800	Nut (Rewind Starter)
281A	697400	Panel-Control ----- Note ----- 698081 Panel-Control Used on Type No(s). 0222.	363	19203	Puller-Flywheel	597	691696	Screw (Pawl Friction Plate)
287	691693	Screw (Dipstick Tube)	369	695422	Spring-Float Bowl	601	791850	Clamp-Hose
300A	794694	Muffler Used on Type No(s). 0100, 0222.	383	19374S	Wrench-Spark Plug	604A	696758	Cover-Control
300B	794695	Muffler Used on Type No(s). 0017, 0019, 0110, 0111, 0368.	410	695382	Link-Control	608A	699335	Starter-Rewind Used on Type No(s). 0017, 0019, 0100, 0110, 0111, 0222, 0368.
300C	793701	Muffler (This muffler is intended for replace- ment purposes only and is not to be used for retrofitting to engines with different exhaust systems)	415	691363	Plug	610	794541	Arrester-Intake
			436C	792374	Manifold-Exhaust	613	695312	Screw (Muffler)
			437	696705	Screw (Exhaust Manifold)	613B	696705	Screw (Muffler) (Torx Head)
			455	697226	Cup-Flywheel			
			456	692299	Plate-Pawl Friction			
			459	281505S	Pawl-Ratchet			
			472	696752	Knob-Choke Shaft			
			472A	791958	Knob-Choke Shaft			
			474	694457	Alternator			
			474A	695730	Alternator			
			474C	698314	Alternator			
			474H	698230	Alternator			
			485	695755	Knob-Control			
			493	691177	Bracket-Mounting			
			493B	699048	Bracket-Mounting Used on Type No(s). 0110.			

★ Included in Engine Gasket Set-Ref. No. 358.

● Included in Carburetor Overhaul Kit-Ref. No. 121A.

Δ Included in Valve Gasket Set-Ref. No. 1095.

Illustrations cover a range of engines. Parts shown without corresponding text may not be used on your specific engine.

5547-10

Assemblies include all parts shown in frames.

10/07/2008

REF. NO.	PART NO.	DESCRIPTION	REF. NO.	PART NO.	DESCRIPTION	REF. NO.	PART NO.	DESCRIPTION
615	694676	Retainer-Governor Shaft	836C	710023	Screw (Muffler Guard)	1070	691058	Screw (Flywheel Fan)
616	694675	Crank-Governor	842	691031	Seal-O Ring (Dipstick Tube)	1095	795200	Gasket Set-Valve
621	692310	Switch-Stop	847	695342	Dipstick-Tube Assembly	1100	791959	Pivot-Rocker Arm
632	695917	Link-Throttle (Nikki)	851	692424	Terminal-Spark Plug	1119	691183	Screw (Alternator)
633B	690998	Seal-Choke/Throttle Shaft	863C	793700	Bracket-Muffler	1127A	695407	Screw (Float Bowl)
635	691909	Boot-Spark Plug (Alternator)	868	★△794086	Seal-Valve	1138	694255	Nut (Control Bracket)
663A	696685	Screw (Control Panel)	878	398661	Harness-Alternator	1171	696754	Stud (Rocker Cover)
663B	696704	Screw (Control Panel) (1-3/4" Long)	883	★△695398	Gasket-Exhaust	1177	710090	Nut (Muffler)
668	694257	Spacer (Control Bracket)	883C	710250	Gasket-Exhaust	1194	691876	Seal-O Ring (Plug)
668B	794539	Spacer (Snow Hood)	892A	791944	Switch-Key	1196	699166	Screw (Snow Hood) (Used After Code Date 03041300).
689	691855	Spring-Friction	914	693732	Screw (Rocker Cover)			----- Note -----
695	698807	Screw (Ring Gear)	930	696709	Guard-Rewind			696685 Screw (Snow Hood) (Used Before Code Date 03041400).
697	698113	Screw (Drive Cap)	957	792647	Cap-Fuel Tank (Plastic)	1210	498144	Pulley/Spring Assembly (Pulley)
718	690959	Pin-Locating (Cylinder)	957A	698109	Cap-Fuel Tank (Plastic) (Used on Type No(s). 0368.	1211	498144	Pulley/Spring Assembly (Spring)
718A	695178	Pin-Locating (Head)	958	698180	Valve-Fuel Shut Off (Plastic)	1224	696824	Nut (Carburetor Primer)
725	696756	Shield-Heat	972A	694260	Tank-Fuel (Plastic)	1230	696747	Stud (Control Bracket)
727A	697465	Cover-Starter Drive	975A	696138	Bowl-Float	1251	696762	Shield-Snow
731	794591	Hood-Snow	976	790221	Primer-Carburetor (Used After Code Date 04061500).	1252	691108	Screw (Snow Shield)
732	691097	Screw (Starter Drive Cover)			----- Note -----	1275	696692	Screw (Rocker Cover)
740	710090	Nut (Muffler Bracket)			695750 Primer-Carburetor (Used Before Code Date 04061600).	1288	696757	Nut (Snow Hood)
740A	793859	Nut (Muffler Bracket)	990A	695756	Key Set	1318	698111	Knob-Snow Hood
741	691288	Gear-Timing	998	696683	Pipe-Oil	1319	794467	Label-Warning
742	692564	Retainer-E Ring	1005	694684	Fan-Flywheel	1351	790017	Stud (Cylinder Shield)
746	694679	Gear-Idler	1011	794544	Tube-Vent	1352	790026	Nut (Spark-Plug Shield)
773	694258	Retainer	1022	★△690971	Gasket-Rocker Cover			
798	697890	Screw (Rocker Arm)	1023A	698042	Cover-Rocker Arm			
813	690635	Clamp	1026	695177	Rod-Push			
819	690352	Screw (Muffler Bracket)	1029	690972	Arm-Rocker			
832	699223	Guard-Muffler (Used on Type No(s). 0017, 0019, 0110, 0368.	1036		Label-Emissions (Available From A Briggs & Stratton Authorized Dealer)			
832C	792380	Guard-Muffler	1058	277104TRI	Manual-Operator's			
836	691003	Screw (Muffler Guard) (Used on Type No(s). 0017, 0019, 0110, 0368.			----- Note -----			
					277104WST Manual-Operator's (Used on Type No(s). 0017, 0019, 0110.			

★ Included in Engine Gasket Set-Ref. No. 358.

△ Included in Valve Gasket Set-Ref. No. 1095.

● Included in Carburetor Overhaul Kit-Ref. No. 121A.

Illustrations cover a range of engines. Parts shown without corresponding text may not be used on your specific engine.

5547-11

Assemblies include all parts shown in frames.

10/07/2008

Not for
Reproduction



Free Manuals Download Website

<http://myh66.com>

<http://usermanuals.us>

<http://www.somanuals.com>

<http://www.4manuals.cc>

<http://www.manual-lib.com>

<http://www.404manual.com>

<http://www.luxmanual.com>

<http://aubethermostatmanual.com>

Golf course search by state

<http://golfingnear.com>

Email search by domain

<http://emailbydomain.com>

Auto manuals search

<http://auto.somanuals.com>

TV manuals search

<http://tv.somanuals.com>