



Illustrated Parts List

Model Series

21C200

TYPE NUMBERS
0110 through 0920.

TABLE OF CONTENTS

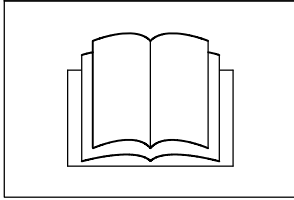
Alternator	7
Blower Housing/Shrouds	5
Camshaft	2
Carburetor	4
Controls	6
Crankcase Cover	2
Crankshaft	2
Cylinder	2
Cylinder Head	3
Electric Starter	7
Exhaust System	4
Flywheel	5
Fuel Supply	7
Gasket Set - Engine	3
Gasket Set - Valve	3
Governor Spring	6
Ignition	7
Kit - Carburetor Overhaul	4
Lubrication	2
Operator's Manual	2
Piston/Rings/Connecting Rod	2
Rewind Starter	5
Valves	3
Warning Label	2



PRINTED IN U.S.A.

COPYRIGHT by BRIGGS & STRATTON CORPORATION
All rights reserved. No part of this material may be reproduced or transmitted, in any form or by any means, electronic or mechanical, including photocopying, recording or by any information storage and retrieval system, without permission in writing from Briggs & Stratton Corporation.

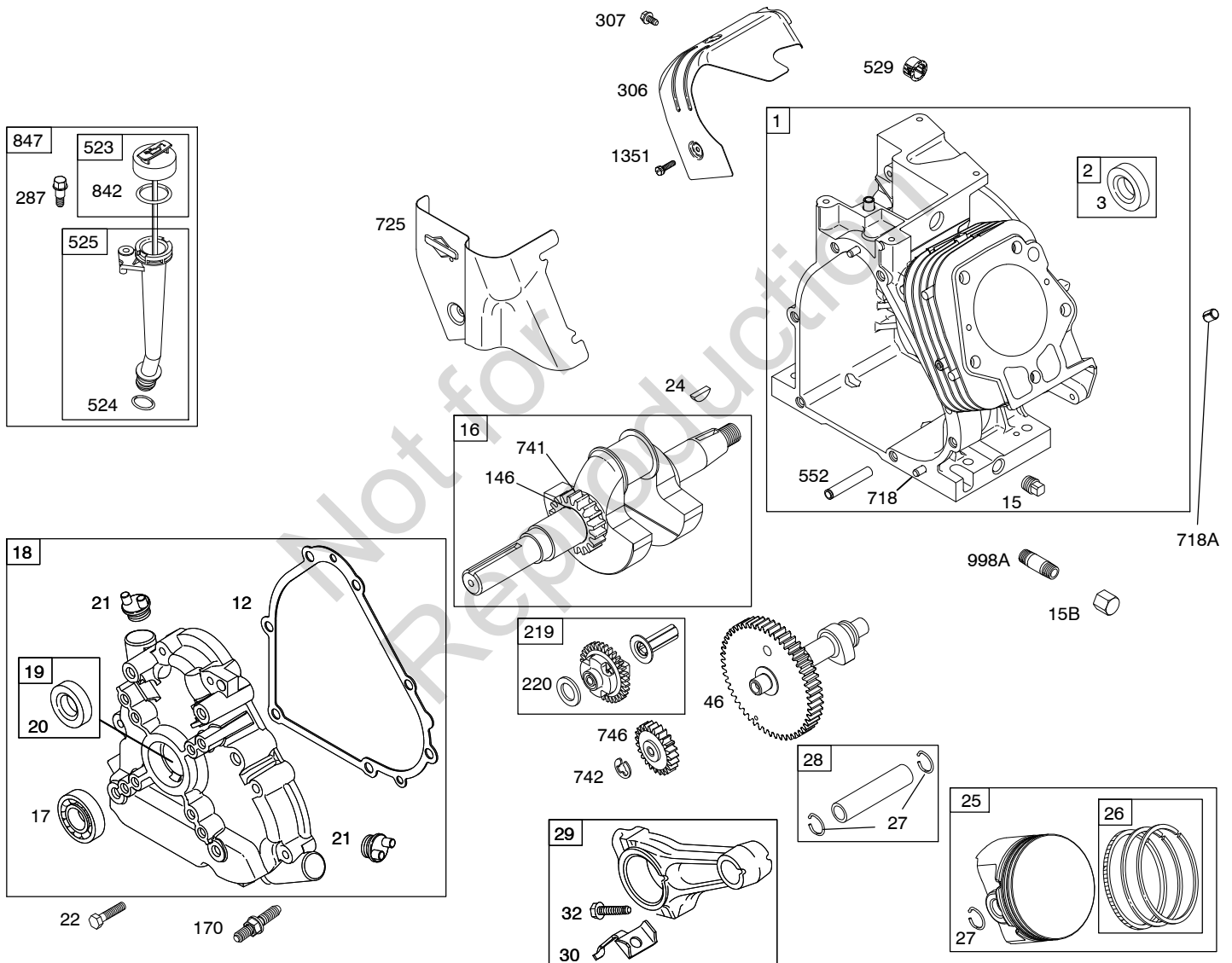
1058 OPERATOR'S MANUAL



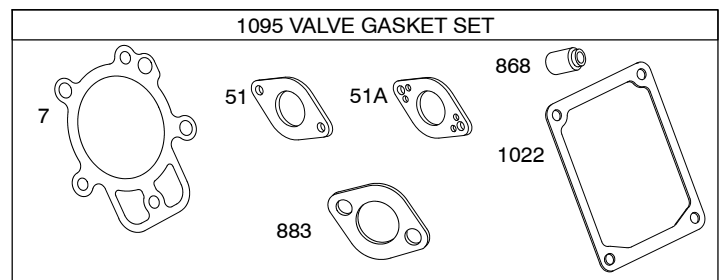
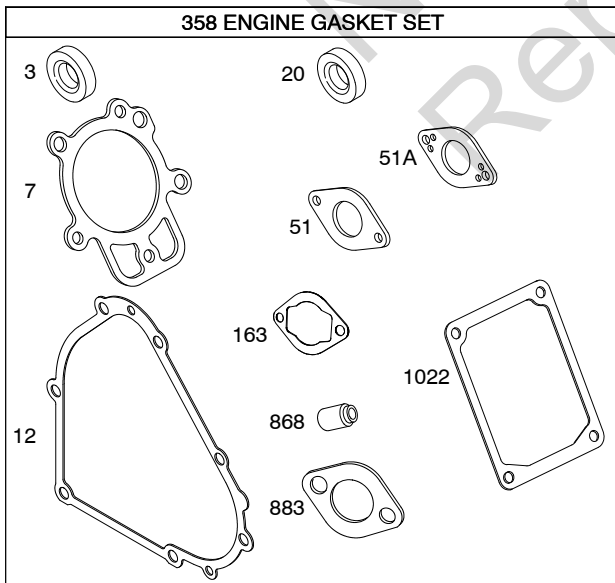
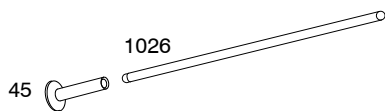
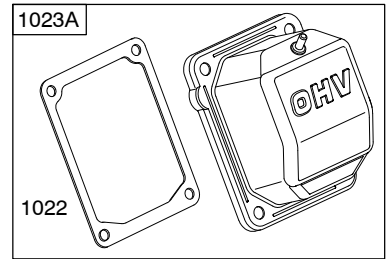
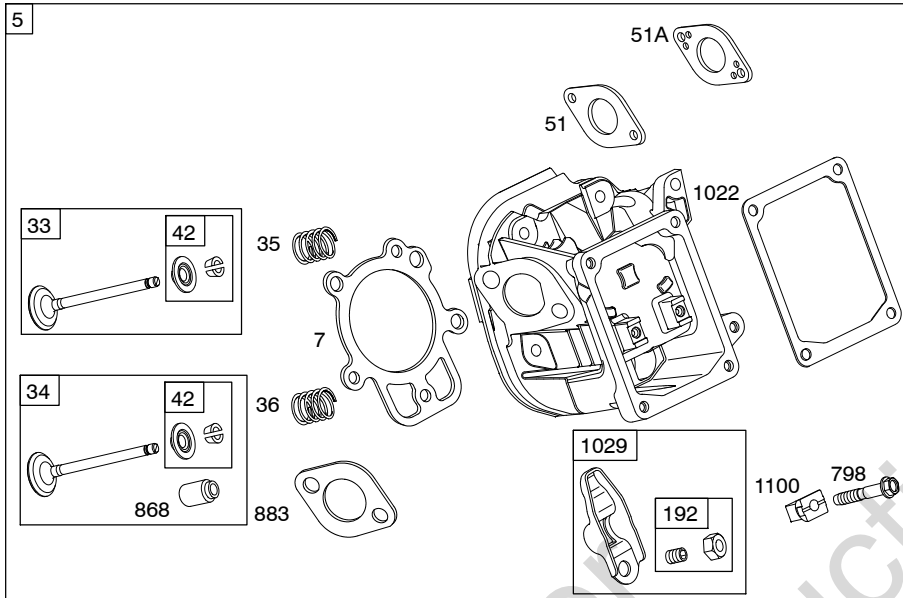
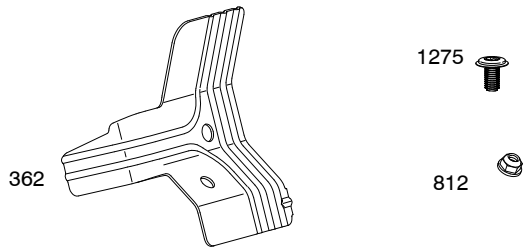
1319 WARNING LABEL

WARNING	
	Read and follow Operating Instructions before running engine.
	Gasoline is flammable. Allow engine to cool at least 2 minutes before refueling.
	Engines emit carbon monoxide, DO NOT run in enclosed area.
	Muffler area temperature may exceed 150°F. Do not touch hot parts.

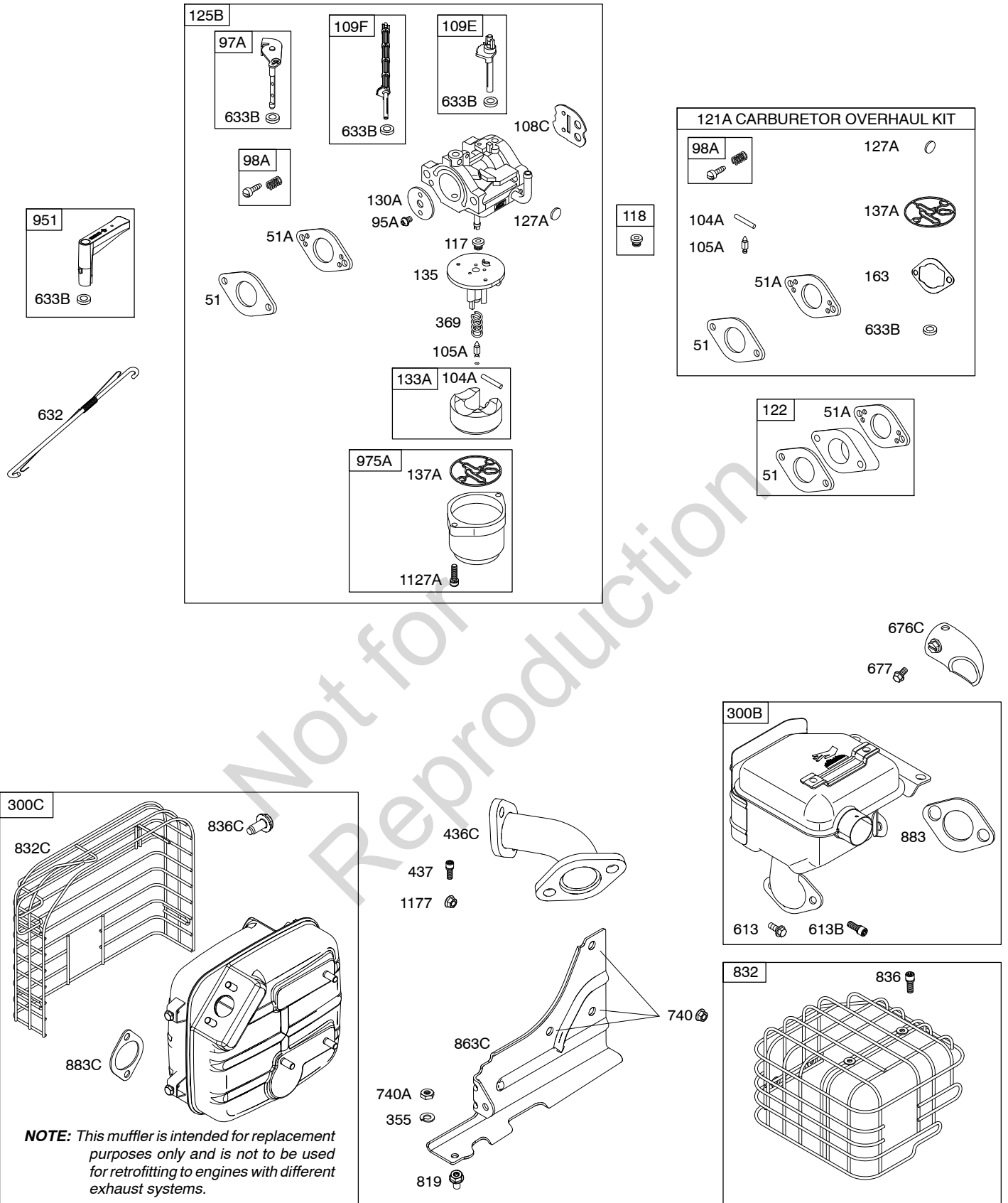
REQUIRED when replacing parts with warning labels affixed.



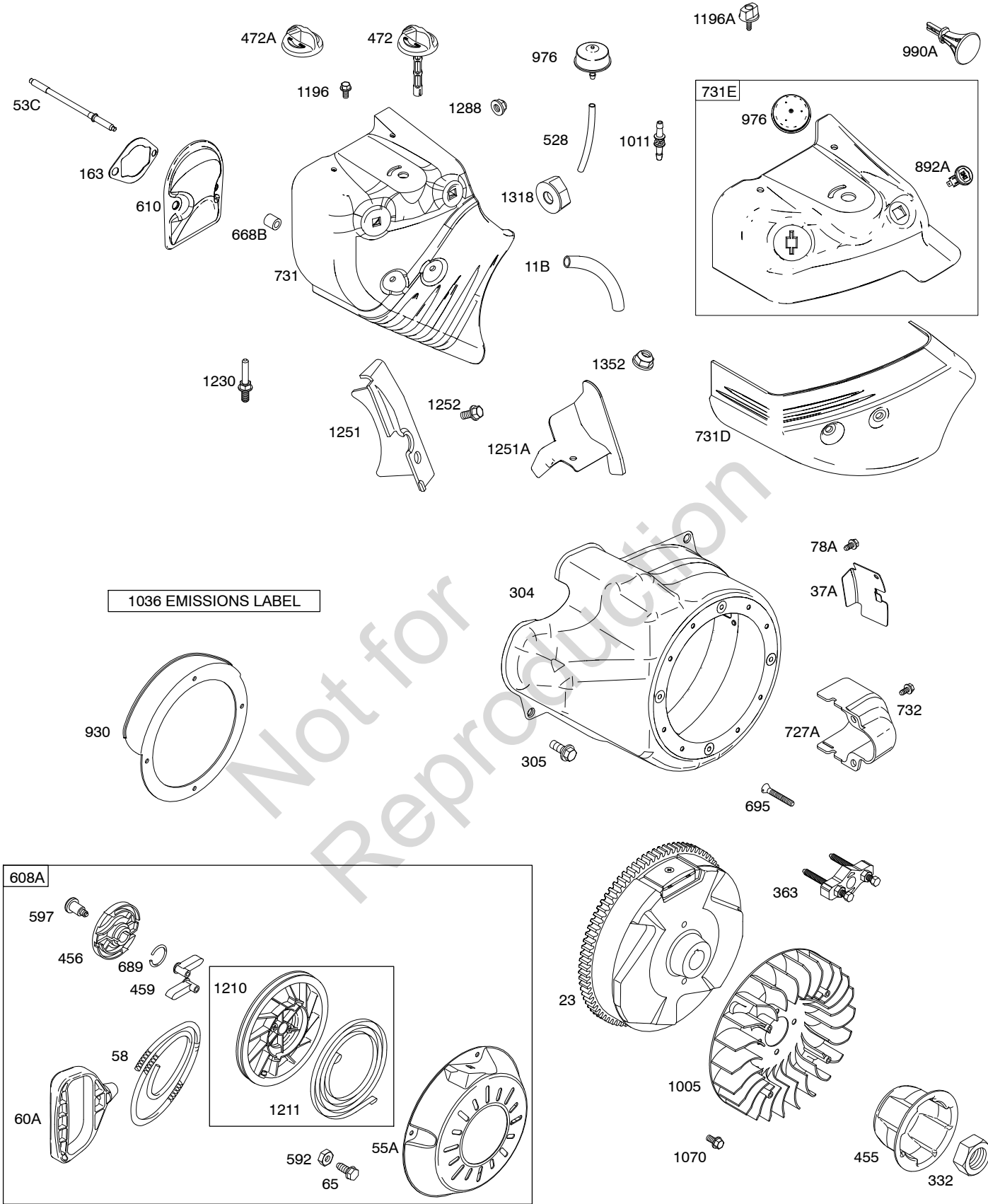
Illustrations cover a range of engines. Parts shown without corresponding text may not be used on your specific engine.
 3392-2 Assemblies include all parts shown in frames. 10/07/2008



Illustrations cover a range of engines. Parts shown without corresponding text may not be used on your specific engine.
 3392-3 Assemblies include all parts shown in frames. 10/07/2008

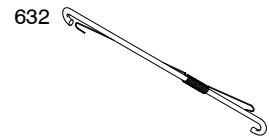
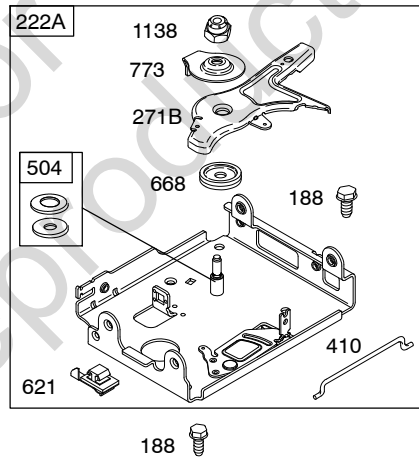
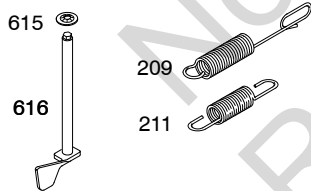
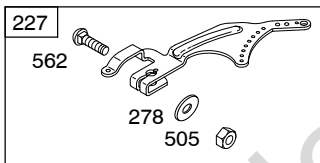
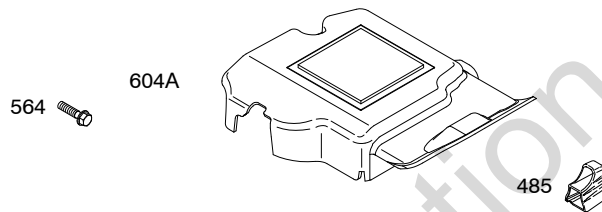
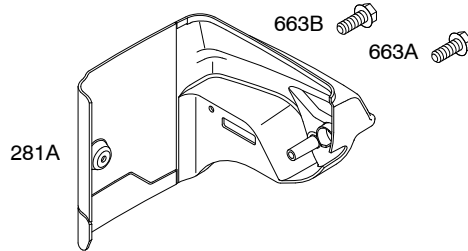
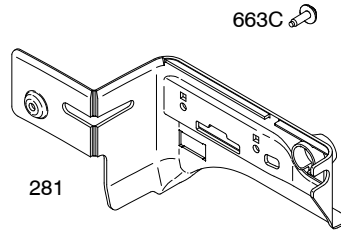
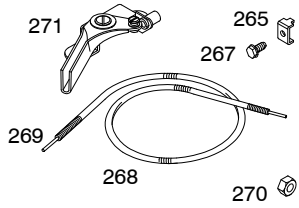


Illustrations cover a range of engines. Parts shown without corresponding text may not be used on your specific engine. Assemblies include all parts shown in frames. 10/07/2008

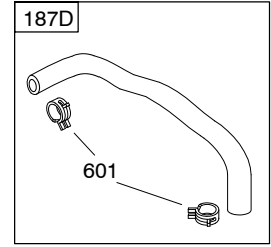
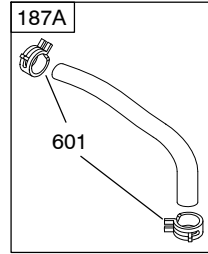
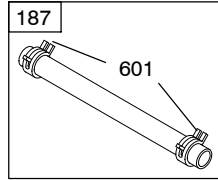
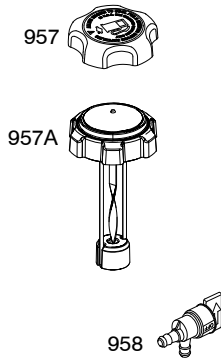
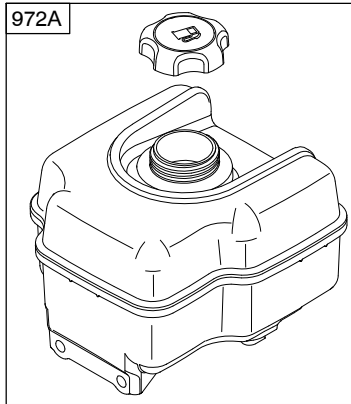


Illustrations cover a range of engines. Parts shown without corresponding text may not be used on your specific engine.
3392-5 Assemblies include all parts shown in frames. 10/07/2008

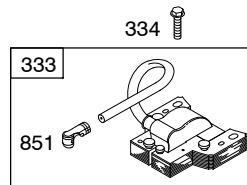
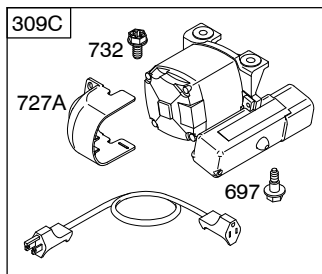
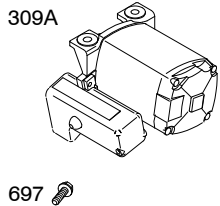
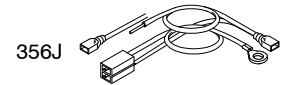
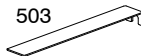
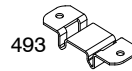
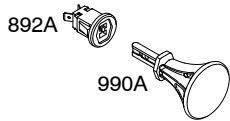
21C200



Illustrations cover a range of engines. Parts shown without corresponding text may not be used on your specific engine.
 3392-6 Assemblies include all parts shown in frames. 10/07/2008



DC ONLY	DUAL CIRCUIT	DUAL CIRCUIT
474A 	474H 	474B
578 	878 	878
<p>NOTE: All stators use a No. 1119 mounting screw.</p> <p>NOTE: The proper flywheel part number and/or the alternator magnet size will determine the alternator type or output. See repair instruction manual for additional information.</p>		526 501



Illustrations cover a range of engines. Parts shown without corresponding text may not be used on your specific engine.
 3392-7 Assemblies include all parts shown in frames. 10/07/2008

21C200

REF. NO.	PART NO.	DESCRIPTION	REF. NO.	PART NO.	DESCRIPTION	REF. NO.	PART NO.	DESCRIPTION
1	793617	Cylinder Assembly	25	793794	Piston Assembly (Standard) (Used After Code Date 06102900).	35	694865	Spring-Valve (Intake)
2	698340	Kit-Bushing/Seal (Magneto Side)				36	694865	Spring-Valve (Exhaust)
3	*391086S	Seal-Oil (Magneto Side)			----- Note -----	37A	699047	Guard-Flywheel
5	793305	Head-Cylinder			793318	42	499586	Keeper-Valve
7	*Δ697690	Gasket-Cylinder Head			Assembly (Standard)	45	690977	Tappet-Valve
11B	696750	Tube-Breather			(Used Before Code Date 06103000).	46	790958	Camshaft
12	*694953	Gasket-Crankcase			793797	51	*●Δ694874	Gasket-Intake
13	690360	Screw (Cylinder Head)			Assembly (.020" Oversize)	51A	*●Δ694875	Gasket-Intake
15	691686	Plug-Oil Drain (Square Head)			(Used After Code Date 06102900).	53C	794542	Stud (Carburetor)
15B	695757	Plug-Oil Drain			697695	55A	696710	Housing-Rewind Starter
16	794720	Crankshaft			Assembly (.020" Oversize)	58	693389	Rope-Starter (Cut To Required Length)
17	695434	Bearing-Ball			(Used Before Code Date 06103000).	60A	699334	Grip-Starter Rope
18	791965	Cover-Crankcase			26	65	697725	Screw (Rewind Starter)
19	698340	Kit-Bushing/Seal (PTO Side)			793319	78A	695724	Screw (Flywheel Guard)
20	*391086S	Seal-Oil (PTO Side)			Ring Set (Standard)	95A	690718	Screw (Throttle Valve)
21	281658S	Cap-Oil Fill			(Used After Code Date 06061800).	97A	696387	Shaft-Throttle
22	695174	Screw (Crankcase Cover/Sump)			----- Note -----	98A	●695408	Kit-Idle Speed
23	695485	Flywheel			697692	104A	●694918	Pin-Float Hinge
24	222698S	Key-Flywheel			Ring Set (Standard)	105A	●696136	Valve-Float Needle
					(Used Before Code Date 06061900).	108C	696736	Valve-Choke
					793324	109E	696735	Shaft-Choke
					Ring Set (.020" Oversize)	109F	793162	Shaft-Choke
					(Used After Code Date 06061800).	117	●696134	Jet-Main (Standard)
					697698	118	696135	Jet-Main (High Altitude)
					Ring Set (.020" Oversize)	121A	696146	Kit-Carburetor Overhaul (Nikki Carburetor)
					(Used Before Code Date 06061900).			
					27	122	694876	Spacer-Carburetor
					690975	125B	794593	Carburetor
					Lock-Piston Pin	127A	●690727	Plug-Welch
					28	130A	696139	Valve-Throttle
					696581	133A	694914	Float-Carburetor
					Pin-Piston	135	696142	Tube-Fuel Transfer
					29	137A	●695426	Gasket-Float Bowl
					Rod-Connecting	146	690979	Key-Timing
					30	163	*●692277	Gasket-Air Cleaner
					Dipper-Connecting Rod			
					32			
					Screw (Connecting Rod)			
					33			
					499596			
					Valve-Exhaust			
					34			
					795199			
					Valve-Intake			

* Included in Engine Gasket Set-Ref. No. 358.

● Included in Carburetor Overhaul Kit-Ref. No. 121A.

Δ Included in Valve Gasket Set-Ref. No. 1095.

Illustrations cover a range of engines. Parts shown without corresponding text may not be used on your specific engine.

3392-8

Assemblies include all parts shown in frames.

10/07/2008

REF. NO.	PART NO.	DESCRIPTION	REF. NO.	PART NO.	DESCRIPTION	REF. NO.	PART NO.	DESCRIPTION
170	695296	Stud (Crankcase Cover/Sump)	281	697268	Panel-Control	332	694685	Nut (Flywheel)
187	791766	Line-Fuel (15 Inches Long) (Cut To Required Length)	281A	697400	Panel-Control ----- Note -----	333	792341	Armature-Magneto
187A	791869	Line-Fuel			698081 Panel-Control Used on Type No(s). 0351, 0357.	334	691061	Screw (Magneto Armature)
187D	791879	Line-Fuel	287	691693	Screw (Dipstick Tube)	337	491055S	Plug-Spark Used on Type No(s). 0110, 0357, 0530, 0553.
188	690877	Screw (Control Bracket)	300B	794695	Muffler Used on Type No(s). 0110, 0111, 0112, 0113, 0114, 0115, 0129, 0131, 0132, 0134, 0135, 0137, 0351, 0357, 0530, 0553, 0920.	----- Note -----	691043	Plug-Spark Used on Type No(s). 0111, 0112, 0113, 0114, 0115, 0129, 0131, 0132, 0134, 0135, 0137, 0351, 0920.
190	692127	Screw (Fuel Tank)	300C	793701	Muffler (This muffler is intended for replacement purposes only and is not to be used for retrofitting to engines with different exhaust systems)	355	691075	Washer (Muffler Bracket)
192	690083	Adjuster-Rocker Arm	304	791478	Housing-Blower	356G	696748	Wire-Stop
209	694867	Spring-Governor	305	691108	Screw (Blower Housing)	356J	793206	Wire-Stop
211	695307	Spring-Governed Idle	306	697240	Shield-Cylinder	358	795201	Gasket Set-Engine
219	693578	Gear-Governor	307	691660	Screw (Cylinder Shield)	362	698041	Shield-Spark Plug
220	691724	Washer (Governor Gear)	309A	793524	Motor-Starter Used on Type No(s). 0112, 0132, 0137, 0357, 0530, 0553.	363	19203	Puller-Flywheel
222A	698034	Bracket-Control Used on Type No(s). 0110, 0111, 0112, 0113, 0114, 0115, 0129, 0131, 0132, 0134, 0135, 0137, 0351, 0357, 0530, 0553, 0920.			----- Note -----	369	695422	Spring-Float Bowl
227	694864	Lever-Governor Control	309C	698311	Motor-Starter Used on Type No(s). 0110, 0111, 0114.	383	19374S	Wrench-Spark Plug
265	691024	Clamp-Casing			792157 Motor-Starter Used on Type No(s). 0113, 0115, 0129, 0131, 0134, 0135, 0351, 0920.	410	695382	Link-Control
267	692577	Screw (Casing Clamp)	318	690372	Screw (Mounting Bracket)	436C	792374	Manifold-Exhaust
268	691025	Casing-Control Wire (Cut To Required Length)				437	696705	Screw (Exhaust Manifold)
269	691026	Wire-Control (Cut To Required Length)				455	697226	Cup-Flywheel Used on Type No(s). 0110, 0111, 0112, 0113, 0114, 0115, 0129, 0131, 0132, 0134, 0135, 0137, 0351, 0357, 0530, 0553, 0920.
270	691027	Nut (Control Wire Casing)				456	692299	Plate-Pawl Friction
271	698035	Lever-Control				459	281505S	Pawl-Ratchet
271B	695381	Lever-Control				472	696752	Knob-Choke Shaft
278	792008	Washer (Governor Control Lever)				472A	791958	Knob-Choke Shaft

★ Included in Engine Gasket Set-Ref. No. 358.

△ Included in Valve Gasket Set-Ref. No. 1095.

● Included in Carburetor Overhaul Kit-Ref. No. 121A.

Illustrations cover a range of engines. Parts shown without corresponding text may not be used on your specific engine.

3392-9

Assemblies include all parts shown in frames.

10/07/2008

21C200

REF. NO.	PART NO.	DESCRIPTION	REF. NO.	PART NO.	DESCRIPTION	REF. NO.	PART NO.	DESCRIPTION
474A	791743	Alternator Used on Type No(s). 0112, 0113, 0115, 0132, 0530, 0553.	564	696692	Screw (Control Cover)	677	691660	Screw (Muffler Deflector) Used on Type No(s). 0111.
474B	698314	Alternator (Dual Circuit) Used on Type No(s). 0110, 0111, 0114, 0129, 0131, 0134, 0135.	578	692306	Wire Assembly	689	691855	Spring-Friction
		----- Note -----	592	690800	Nut (Rewind Starter)	695	698807	Screw (Ring Gear)
		793118 Alternator (Dual Circuit) Used on Type No(s). 0920.	597	691696	Screw (Pawl Friction Plate)	697	698113	Screw (Drive Cap)
474H	698230	Alternator (Dual Circuit) Used on Type No(s). 0137, 0351, 0357.	601	791850	Clamp-Hose	718	690959	Pin-Locating
485	695755	Knob-Control	604A	696758	Cover-Control	718A	695178	Pin-Locating
493	691177	Bracket-Mounting	608A	699335	Starter-Rewind Used on Type No(s). 0110, 0111, 0112, 0113, 0114, 0115, 0129, 0131, 0132, 0134, 0135, 0137, 0351, 0357, 0530, 0553, 0920.	725	696756	Shield-Heat
501	698315	Regulator Used on Type No(s). 0110, 0111, 0114, 0129, 0131, 0134, 0135.	610	794541	Arrester-Intake	727A	697465	Cover-Starter Drive
503	698318	Strap-Starter	613	695312	Screw (Muffler)	731	794591	Hood-Snow
504	695383	Washer Set-Friction	613B	696705	Screw (Muffler) (TORX HEAD)	731D	794550	Hood-Snow
505	691251	Nut (Governor Control Lever)	615	694676	Retainer-Governor Shaft	731E	793174	Hood-Snow
523	695344	Dipstick	616	694675	Crank-Governor	732	691097	Screw (Starter Drive Cover)
524	691876	Seal-Dipstick Tube	621	692310	Switch-Stop	740	710090	Nut (Muffler Bracket)
525	695343	Tube-Dipstick	632	695917	Spring/Link- Mechanical Governor (Use With Nikki Carburetor)	740A	793859	Nut (Muffler Bracket)
526	690297	Screw (Regulator) Used on Type No(s). 0110, 0111, 0114, 0129, 0131, 0134, 0135.	633B	690998	Seal-Choke/Throttle Shaft	741	691288	Gear-Timing
528	793006	Hose-Primer (Cut to Required Length)	635	691909	Boot-Spark Plug (Control Panel)	742	692564	Retainer-E Ring
529	791822	Grommet	663A	696685	Screw (Control Panel)	746	694679	Gear-Idler
552	694674	Bushing-Governor Crank	663B	696704	Screw (Control Panel)	773	694258	Retainer
562	793216	Bolt (Governor Control Lever)	663C	790282	Screw (Control Panel)	798	697890	Screw (Rocker Arm)
			668	694257	Spacer (Control Bracket)	812	696757	Screw (Rocker Cover)
			668B	794539	Spacer (Snow Hood)	813	690635	Clamp
			676C	697816	Deflector-Muffler Used on Type No(s). 0111.	819	690352	Screw (Muffler Bracket)
						832	699223	Guard-Muffler Used on Type No(s). 0110, 0113, 0115, 0129, 0131, 0134, 0135, 0137, 0351, 0357, 0530, 0553, 0920.
						832C	792380	Guard-Muffler
						836	691003	Screw (Muffler Guard) Used on Type No(s). 0110, 0113, 0115, 0129, 0131, 0134, 0135, 0137, 0351, 0357, 0530, 0553, 0920.
						836C	710023	Screw (Muffler Guard)

★ Included in Engine Gasket Set-Ref. No. 358.

● Included in Carburetor Overhaul Kit-Ref. No. 121A.

△ Included in Valve Gasket Set-Ref. No. 1095.

Illustrations cover a range of engines. Parts shown without corresponding text may not be used on your specific engine.

3392-10

Assemblies include all parts shown in frames.

10/07/2008

REF. NO.	PART NO.	DESCRIPTION	REF. NO.	PART NO.	DESCRIPTION	REF. NO.	PART NO.	DESCRIPTION
842	691031	Seal-O Ring (Dipstick Tube)	990A	695756	Key Set	1127A	695407	Screw (Float Bowl)
847	695342	Dipstick/Tube Assembly	998A	696683	Pipe-Oil ----- Note ----- 792928 Pipe-Oil Used on Type No(s). 0920.	1138	694255	Nut (Control Bracket)
851	692424	Terminal-Spark Plug	1005	694684	Fan-Flywheel	1171	696754	Stud (Rocker Cover)
863C	793700	Bracket-Muffler	1011	794544	Tube-Vent	1177	710090	Nut (Muffler)
868	★Δ794086	Seal-Valve	1022	690971	Gasket-Rocker Cover	1196	699166	Screw (Snow Hood)
878	398661	Wire/Connector- Alternator	1023A	698042	Cover-Rocker	1196A	696692	Screw (Snow Hood)
883	★Δ695398	Gasket-Exhaust	1026	695177	Rod-Push	1210	498144	Pulley/Spring Assembly (Pulley)
883C	710250	Gasket-Exhaust	1029	690972	Arm-Rocker	1211	498144	Pulley/Spring Assembly (Spring)
892A	791944	Switch-Key	1036		Label-Emissions (Available From A Briggs & Stratton Authorized Dealer)	1230	696747	Stud (Control Bracket)
914	693732	Screw (Rocker Cover)	1058	277104TRI	Manual-Operator's ----- Note ----- 277104WST Manual- Operator's Used on Type No(s). 0113, 0129, 0131, 0135.	1251	696762	Shield-Snow
930	696709	Guard-Rewind			277104EST Manual- Operator's Used on Type No(s). 0135.	1251A	790471	Shield-Snow
951	699961	Lever-Choke				1252	691108	Screw (Snow Shield)
957	792647	Cap-Fuel Tank (Plastic)				1275	696692	Screw (Rocker Cover)
957A	698109	Cap-Fuel Tank.	1070	791680	Screw (Flywheel Fan)	1288	696757	Nut (Snow Hood)
958	698180	Valve-Fuel Shut Off (Plastic)	1095	795200	Gasket Set-Valve	1318	698111	Knob-Snow Hood
972A	694260	Tank-Fuel (Plastic)	1100	791959	Pivot-Rocker Arm	1319	794467	Label-Warning
975A	696138	Bowl-Float	1119	691183	Screw (Alternator)	1351	790017	Stud (Cylinder Shield)
976	793382	Primer-Carburetor (Used After Code Date 07042600). ----- Note ----- 790221 Primer- Carburetor (Used Before Code Date 07042700). 793382 Primer- Carburetor Used on Type No(s). 0114, 0115, 0132, 0134, 0135, 0137, 0920.				1352	790026	Nut (Spark Plug Shield)

★ Included in Engine Gasket Set-Ref. No. 358.

Δ Included in Valve Gasket Set-Ref. No. 1095.

● Included in Carburetor Overhaul Kit-Ref. No. 121A.

Illustrations cover a range of engines. Parts shown without corresponding text may not be used on your specific engine.

Not for
Reproduction



Free Manuals Download Website

<http://myh66.com>

<http://usermanuals.us>

<http://www.somanuals.com>

<http://www.4manuals.cc>

<http://www.manual-lib.com>

<http://www.404manual.com>

<http://www.luxmanual.com>

<http://aubethermostatmanual.com>

Golf course search by state

<http://golfingnear.com>

Email search by domain

<http://emailbydomain.com>

Auto manuals search

<http://auto.somanuals.com>

TV manuals search

<http://tv.somanuals.com>