

# Installation Instructions

## Engine Spacer Replacement Kit Part No. 5600094

For Ferris 27HP Kohler IS2000Z Models and Simplicity Cobalt Models

### Kit Contents:

Part No.	Qty.	Description
5044062	1	Spacer, 1.13 X 1.75 X .50
5045289	1	Bolt, Crankshaft, 7/16 X 2-1/2"
5021029	1	Tie Wrap, 11" long

### WARNING

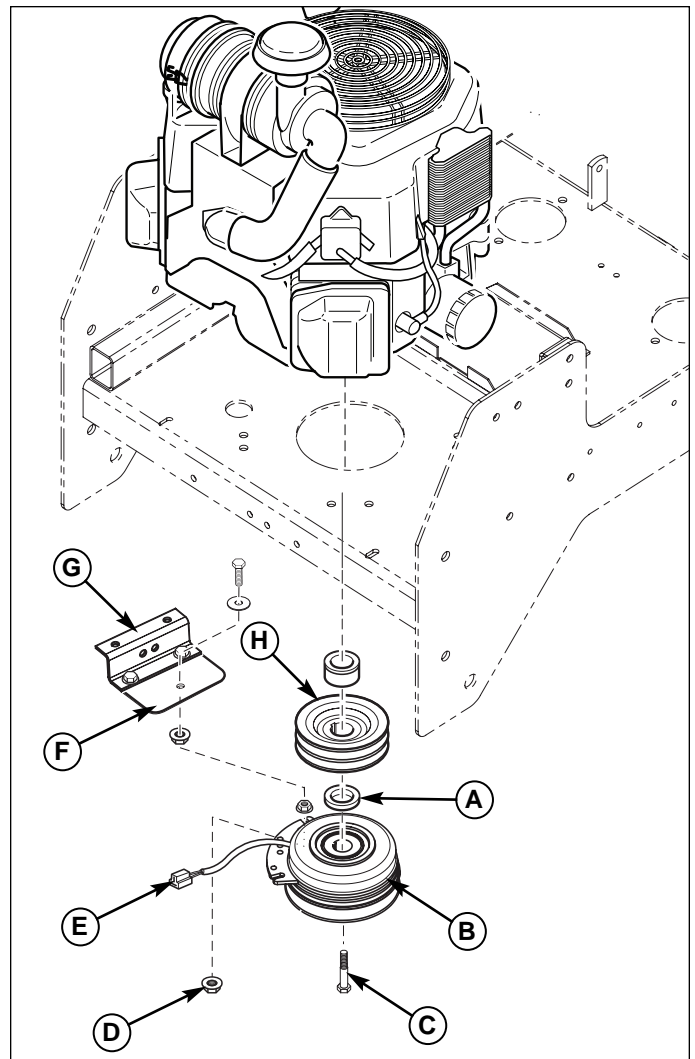
Before beginning any service work turn off the PTO, set the parking brake, turn off the ignition, and disconnect the spark plug wire(s).

### INSTALLATION

1. Park machine on a flat, level surface and engage the parking brake. Disengage the PTO switch, turn off the engine and remove the key from the ignition.
2. Remove the PTO clutch belt.
3. Cut the tie wrap that secures the PTO clutch wires (E, Figure 1) to the PTO clutch anchor bracket (G). Disconnect the PTO clutch wires from the main wire harness.
4. Remove the 5/16" nylock flange nut (D) that secures the PTO clutch anchor pad (F) to the PTO clutch (B).

*NOTE: Before removing the PTO clutch observe and remember the clutch orientation to the clutch anchor pad for reinstallation later.*

5. Loosen and remove the crankshaft bolt (C), the PTO clutch (B) and the crankshaft spacer (A). Discard the old crankshaft bolt and the old spacer.
6. Install the new crankshaft spacer with the rounded edge on the inside of the spacer facing up toward the pulley (H). Reinstall the PTO clutch in the same orientation that it was removed in Step #5 and secure with the new crankshaft bolt. Torque the crankshaft bolt to 65 ft-lbs (88Nm).
7. Reinstall the 5/16" nylock flange nut to secure the PTO clutch anchor pad to the PTO clutch.
8. Reconnect the PTO clutch wires to the main wire harness. Pull the wire slack away from all belts and pulleys and secure to the PTO clutch anchor bracket with the tie wrap.
9. Reinstall the PTO clutch belt.



**Figure 1. Replacing the Engine Spacer**

- A. Crankshaft Spacer**
- B. PTO Clutch**
- C. Crankshaft Bolt**
- D. 5/16" Nylock Flange Nut**
- E. PTO Clutch Wires**
- F. PTO Clutch Anchor Pad**
- G. PTO Clutch Anchor Bracket**

## Free Manuals Download Website

<http://myh66.com>

<http://usermanuals.us>

<http://www.somanuals.com>

<http://www.4manuals.cc>

<http://www.manual-lib.com>

<http://www.404manual.com>

<http://www.luxmanual.com>

<http://aubethermostatmanual.com>

Golf course search by state

<http://golfingnear.com>

Email search by domain

<http://emailbydomain.com>

Auto manuals search

<http://auto.somanuals.com>

TV manuals search

<http://tv.somanuals.com>