



# Parts Manual IS5000Z Series

## Zero-Turn Riding Mower

S/N: 1226 & Above (Tractor) 1210 & Above (Mower)



<b>Models:</b>	<b>Description:</b>
5901070	31.5HP Caterpillar Diesel (S/N: 1226 & above) (IS5000Z/C31D)
5901071	31.5HP Caterpillar Diesel (S/N: 1226 & above) (IS5000Z/C31DCE)
5901074	31.5HP Caterpillar Diesel w/ 61" Mower Deck (S/N: 1226 & above) (IS5000Z/C31D61CE)
5900201	61" Rear Discharge Mower Deck (S/N: 1210 & above) (5000/61R)
5900202	61" Rear Discharge Mower Deck (S/N: 1210 & above) (5000/61RCE)
5900203	72" Mower Deck (S/N: 1210 & above) (5000/72)
5900204	72" Rear Discharge Mower Deck (S/N: 1210 & above) (5000/72R)
5900205	72" Rear Discharge Mower Deck (S/N: 1210 & above) (5000/72RCE)

### **Briggs and Stratton Yard Power Products Group**

5375 North Main Street  
Munnsville, NY 13409 USA  
800-933-6175

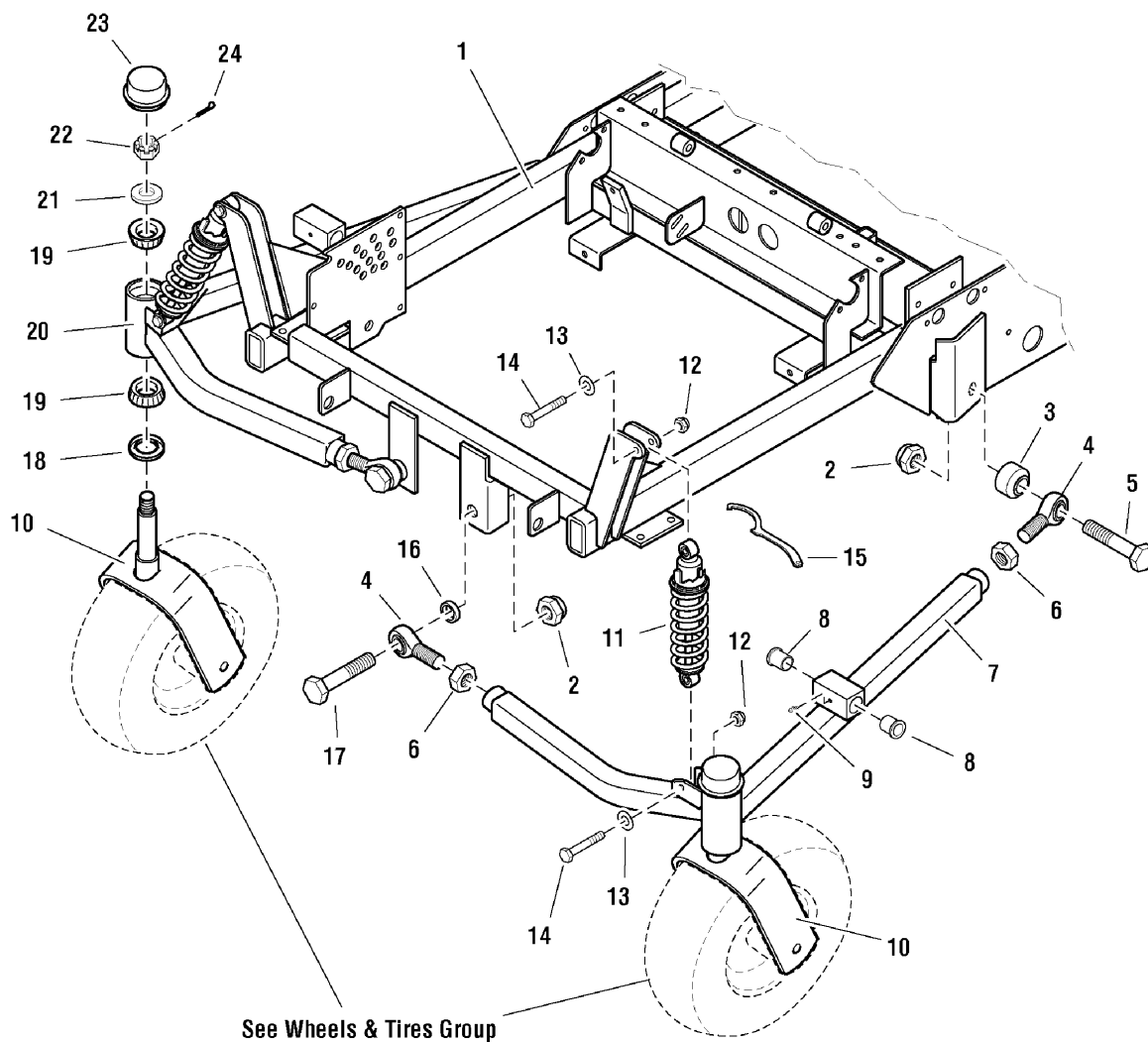
5023460  
Revision 11  
Rev. Date: 01/2007  
TP 400-7168-11-5Z-F



<b>MODEL COMPONENTS</b>	<b>PAGE</b>
Main Frame & Front Suspension Group .....	4
Hood, Bumper & Shield Group .....	6
Floor Pan, Brake Cover & Control Shields Group .....	8
Seat Compartment Group .....	10
Seat & Mount Group .....	12
Fuel Supply Hose & Tank Replacement Parts Group .....	14
Fuel Tank & Mount Group .....	16
Instrument & Control Panel Group .....	18
Engine Accessories & Service Parts Group .....	20
Engine & Mount Group .....	24
PTO Clutch & Anchor Group .....	26
Pump Mount & Drive Group .....	28
Motion Control Group - Lower .....	30
Motion Control Group - Upper .....	32
Hydraulic Group .....	36
Parking Brake Group - Lower .....	38
Parking Brake Group - Upper .....	40
Rear Suspension Group .....	42
Deck Lift Group .....	44
Radiator Mount & Service Parts Group .....	48
Gearbox & Mount Group .....	50
Wheels & Tires Group .....	52
Decals - Brand & Model .....	54
Decals - Safety & Operation - CE Models .....	56
Decals - Safety & Operation - North American Models .....	58
Oil Cooler, Mount & Radiator Expansion Tank Group .....	60
61" & 72" Mower Decks - Hanger Chains .....	62
61" Mower Deck - Deflector & Shield .....	64
61" Mower Deck - Housing, Covers, Spindles & Blades .....	66
61" Mower Deck - Pulleys, Belt & Idler Arm .....	68
61" Mower Deck - Rollers & Casters .....	70
72" Mower Deck - Deflector & Shield - Rear Discharge .....	72
72" Mower Deck - Housing, Covers, Spindles & Blades .....	74
72" Mower Deck - Housing, Covers, Spindles & Blades - Rear Discharge .....	76
72" Mower Deck - Belt, Pulleys & Idler Arm .....	78
72" Mower Deck - Rollers & Casters .....	80
61" & 72" Mower Decks - Rear Mount Bars .....	82
Electrical Schematics - (S/N: 1290 & below) .....	84-89
Electrical Schematics - (S/N: 1291 & above) .....	90-95
<b>Torque Specification Chart .....</b>	<b>Inside Back Cover</b>

## Main Frame & Front Suspension Group

NOTE: Unless noted otherwise,  
use the standard hardware torque  
specification chart.



The above parts group applies to the following Mfg. Nos.:

5901071 (S/N: 1226 & above) (IS5000Z/C3)

5901070 (S/N: 1226 & above) (IS5000Z/C3)

5901074 (S/N: 1226 & above) (IS5000Z/C3)

## Main Frame & Front Suspension Group

REF NO.	PART NO.	QTY.	DESCRIPTION
1	5061383B	1	MAIN FRAME
2	5025284	4	NUT, 3/4-16 Hex Nylon Lock
3	5046093	2	SPACER, .75 x 1.50 x 1.00
4	5022039	4	BALL JOINT, 3/4-16 Male
5	5025265X28	2	BOLT, 3/4-16 x 3-1/2
6	5025093	4	NUT, 3/4-16 Hex Jam
7	5061400	1	SUSPENSION ARM ASSEMBLY - LH, Complete (Includes Ref Nos. 8 and 9)
8	5023343	4	BUSHING, Flange (Qty. (2) per suspension arm)
9	5020095	2	GREASE FITTING
10	5045769B	2	CASTER TIRE MOUNT
11	5022842	2	SHOCK & SPRING ASSEMBLY
12	5025096	4	NUT, 3/8-16 Hex Nylon Lock
13	5025156	4	WASHER, 3/8" SAE
14	5025013X16	4	BOLT, 3/8-16 x 2
15	5022853	1	SPANNER WRENCH
16	5047461	2	SPACER, .75 x 1.00 x .25
17	5025265X24	2	BOLT, 3/4-16 x 3
18	5021072	2	GREASE SEAL
19	5020884	4	BEARING, Tapered Roller
20	5061399	1	SUSPENSION ARM ASSEMBLY - RH, Complete (Includes Ref Nos. 8 and 9)
21	5025160	2	WASHER, 3/4" SAE
22	5025104	2	NUT, 3/4-16 Hex Slotted
23	5021073	2	CAP
24	5025203X10	2	COTTER PIN, 1/8" X 1-1/4"

## Footnotes

---

### The above parts group applies to the following Mfg. Nos.:

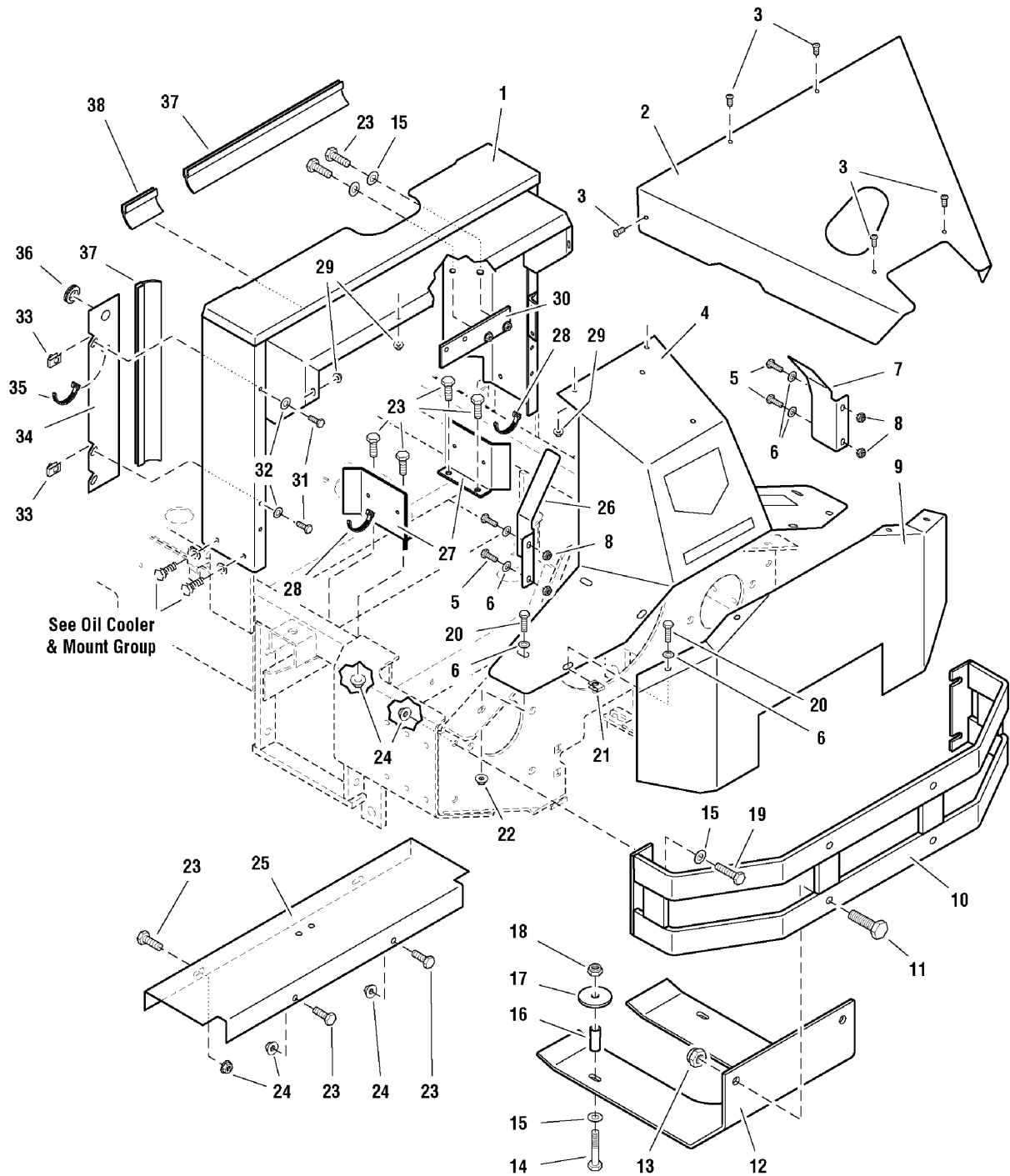
5901071 (S/N: 1226 & above) (IS5000Z/C3)

5901070 (S/N: 1226 & above) (IS5000Z/C3)

5901074 (S/N: 1226 & above) (IS5000Z/C3)

## Hood, Bumper & Shield Group

NOTE: Unless noted otherwise,  
use the standard hardware torque  
specification chart.



The above parts group applies to the following Mfg. Nos.:

5901074 (S/N: 1226 & above) (IS5000Z/C3)

5901071 (S/N: 1226 & above) (IS5000Z/C3)

5901070 (S/N: 1226 & above) (IS5000Z/C3)

## Hood, Bumper & Shield Group

REF NO.	PART NO.	QTY.	DESCRIPTION
1	5061433B	1	RADIATOR SHROUD
2	5047555B	1	HOOD
3	5025299X6	6	SCREW, Allen Head, 1/4-20 x 3/4
4	5047552B	1	REAR HOOD SUPPORT
5	5025011X6	4	BOLT, 5/16-18 x 3/4
6	5025155	12	WASHER, 5/16" SAE
7	5048348B	1	FLYWHEEL GUARD-RH (Export models only)
8	5025057	4	NUT, 5/16-18 Hex Nylon Lock
9	5045784B	1	REAR SHIELD
10	5047578B	1	BUMPER
11	5025018X12	2	BOLT, 1/2-20 x 1-1/2
12	5047581B	1	SKID SHIELD
13	5025098	2	NUT, 1/2-20 Hex Nylon Lock
14	5025013X20	2	BOLT, 3/8-16 x 2-1/2
15	5025156	8	WASHER, 3/8" SAE
16	5044992	2	SPACER, .38 x .50 x 1.56
17	5025305	2	WASHER, 3/8 x 1-3/4
18	5025096	2	NUT, 3/8-16 Hex Nylon Lock
19	5025013X10	4	BOLT, 3/8-16 x 1-1/4
20	5025011X8	8	BOLT, 5/16-18 x 1
21	5022308	4	BODY CLIP, 5/16-18
22	5025127	4	NUT, 5/16-18 Hex Small Serrated Flange
23	5025013X8	10	BOLT, 3/8-16 x 1
24	5025128	12	NUT, 3/8-16 Hex Serrated Flange
25	5047545B	1	DEBRIS SHIELD
26	5048349B	1	FLYWHEEL GUARD-LH (Export models only)
27	5047587B	2	SUPPORT PLATE
28	5021029	2	TIE WRAP, 11"
29	5025391	6	NUT, 1/4-20 Hex Nylock Flange
30	5048627B	1	MOUNT, Water Separator
31	5025010X6	4	BOLT, 1/4-20 x 3/4
32	5025154	4	WASHER, 1/4" SAE
33	5022665	4	BODY CLIP, 1/4-20
34	5048557B	2	SIDE BAFFLE
35	5021030	2	TIE WRAP, 5-1/2"
36	5021077	2	GROMMET, 1/2"
37	5050926X17	3	WIPER SEAL, 17"
38	5050926X3	1	WIPER SEAL, 3"

### Footnotes

---

#### The above parts group applies to the following Mfg. Nos.:

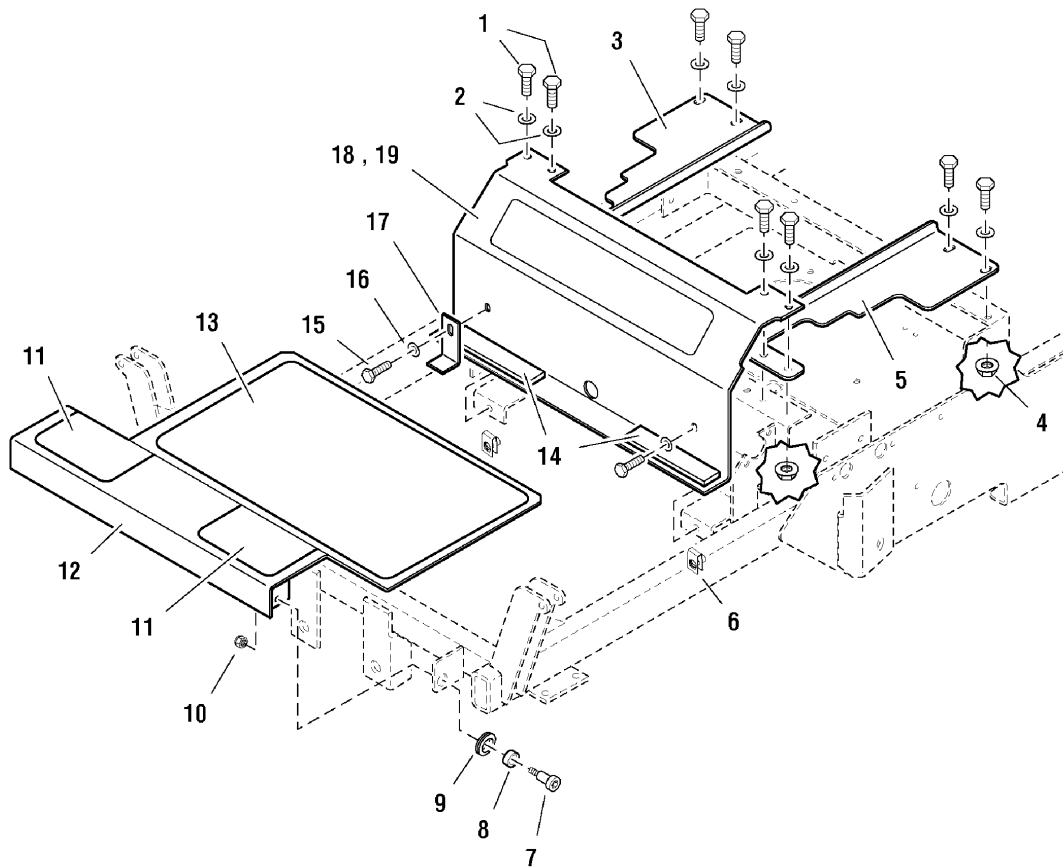
5901074 (S/N: 1226 & above) (IS5000Z/C3)

5901071 (S/N: 1226 & above) (IS5000Z/C3)

5901070 (S/N: 1226 & above) (IS5000Z/C3)

## Floor Pan, Brake Cover & Control Shields Group

NOTE: Unless noted otherwise,  
use the standard hardware torque  
specification chart.



The above parts group applies to the following Mfg. Nos.:

5901074 (S/N: 1226 & above) (IS5000Z/C3)

5901071 (S/N: 1226 & above) (IS5000Z/C3)

5901070 (S/N: 1226 & above) (IS5000Z/C3)



## **Floor Pan, Brake Cover & Control Shields Group**

<b>REF NO.</b>	<b>PART NO.</b>	<b>QTY.</b>	<b>DESCRIPTION</b>
1	5025013X8	8	BOLT, 3/8-16 x 1
2	5025156	8	WASHER, 3/8" SAE
3	5047548B	1	SHIELD - RH
4	5025128	8	NUT, 3/8-16 Hex Serrated Flange
5	5047549B	1	SHIELD - LH
6	5022308	2	BODY CLIP, 5/16-18
7	5025340	2	SHOULDER BOLT, 3/8 x 5/8
8	5041600	2	SLEEVE
9	5022816	2	GROMMET
10	5025057	2	NUT, 5/16-18 Hex Nylon Lock
11	5045915	2	SAFETY WALK
12	5045333B	1	FLOOR PAN
13	5044873	1	SAFETY WALK
14	5021877	2	RUBBER PAD
15	5025011X6	2	BOLT, 5/16-18 x 3/4
16	5025155	2	WASHER, 5/16" SAE
17	5047285B	1	HOLD DOWN (Export models only)
18	61547	1	BRAKE COVER PANEL ASSEMBLY (Includes decal)
19	61548	1	BRAKE COVER PANEL ASSEMBLY, Export Model (Includes decal)

### **Footnotes**

---

#### **The above parts group applies to the following Mfg. Nos.:**

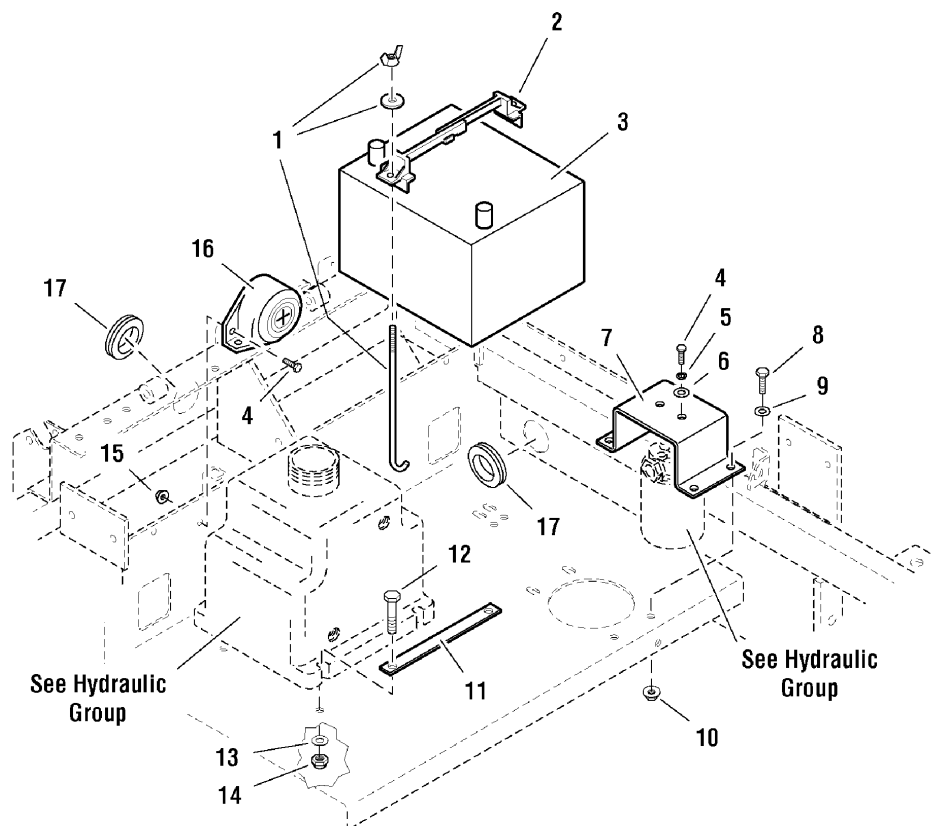
5901074 (S/N: 1226 & above) (IS5000Z/C3)

5901071 (S/N: 1226 & above) (IS5000Z/C3)

5901070 (S/N: 1226 & above) (IS5000Z/C3)

## Seat Compartment Group

NOTE: Unless noted otherwise,  
use the standard hardware torque  
specification chart.



The above parts group applies to the following Mfg. Nos.:

5901074 (S/N: 1226 & above) (IS5000Z/C3)

5901071 (S/N: 1226 & above) (IS5000Z/C3)

5901070 (S/N: 1226 & above) (IS5000Z/C3)

## Seat Compartment Group

REF NO.	PART NO.	QTY.	DESCRIPTION
1	5022596	2	BATTERY HOLDDOWN BOLT
2	5022595	1	BATTERY HOLDDOWN
3	-	1	BATTERY, 12V (BCI58, 500 CCA)
4	5025010X6	4	BOLT, 1/4-20 x 3/4
5	5025169	2	WASHER, 1/4" Lock
6	5025154	2	WASHER, 1/4" SAE
7	5047635B	1	OIL FILTER MOUNT
8	5025011X6	4	BOLT, 5/16-18 x 3/4
9	5025155	4	WASHER, 5/16" SAE
10	5025127	4	NUT, 5/16-18 Hex Small Serrated Flange
11	5046061B	2	HOLD DOWN PLATE
12	5025013X18	4	BOLT, 3/8-16 x 2-1/4
13	5025156	4	WASHER, 3/8" SAE
14	5025096	4	NUT, 3/8-16 Hex Nylon Lock
15	5025126	2	NUT, 1/4-20 Hex Serrated Flange
16	5022594	1	ALARM
17	5021397	3	GROMMET, 1-1/4"

## Footnotes

---

### The above parts group applies to the following Mfg. Nos.:

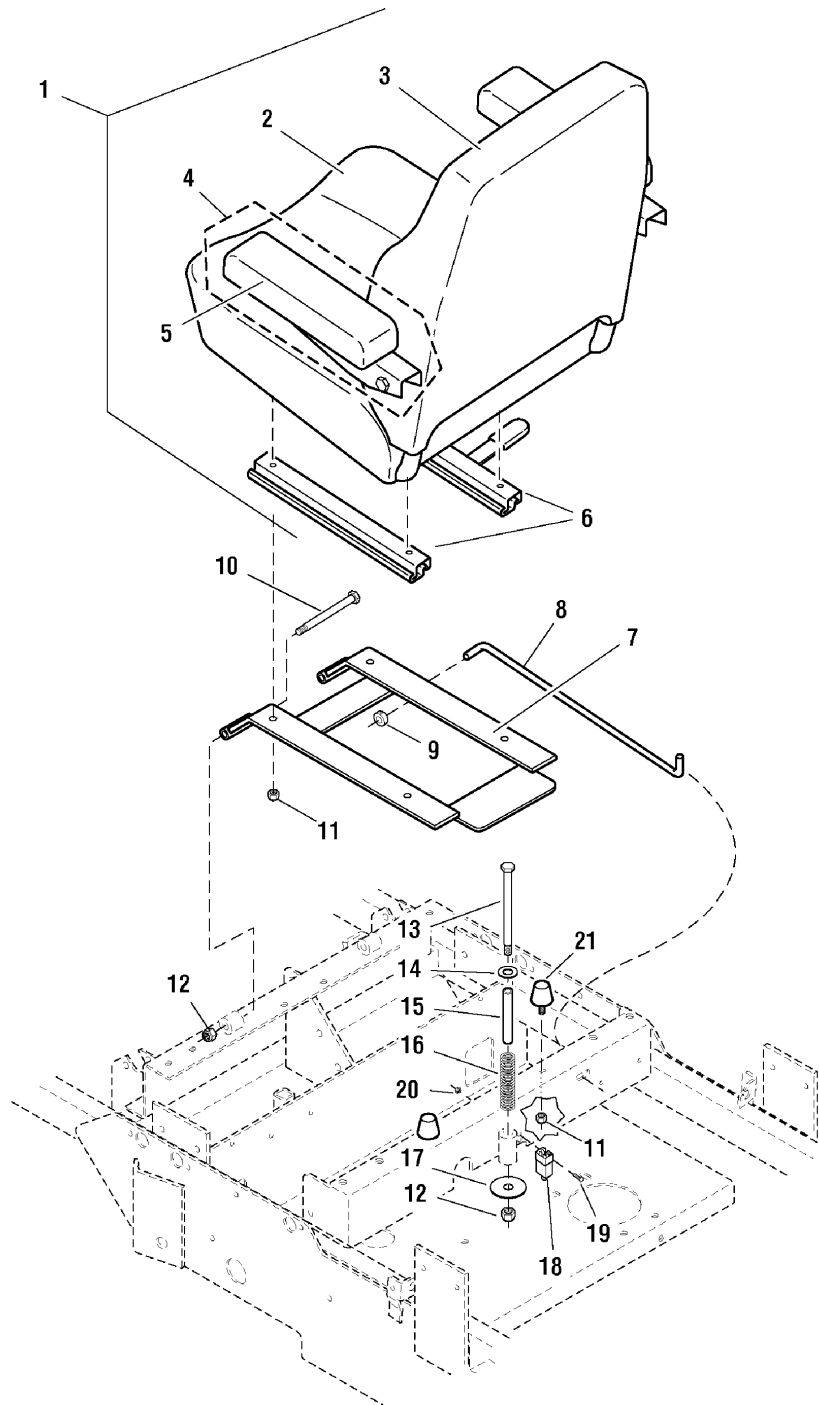
5901074 (S/N: 1226 & above) (IS5000Z/C3)

5901071 (S/N: 1226 & above) (IS5000Z/C3)

5901070 (S/N: 1226 & above) (IS5000Z/C3)

## Seat & Mount Group

NOTE: Unless noted otherwise,  
use the standard hardware torque  
specification chart.



**The above parts group applies to the following Mfg. Nos.:**

5901074 (S/N: 1226 & above) (IS5000Z/C3)

5901071 (S/N: 1226 & above) (IS5000Z/C3)

5901070 (S/N: 1226 & above) (IS5000Z/C3)

## Seat & Mount Group

REF NO.	PART NO.	QTY.	DESCRIPTION
1	5022955	1	SEAT, Deluxe, Gray, Complete (Includes Ref No. 2 - 6)
2	5022955X1	1	CUSHION, Bottom Cover
3	5022955X2	1	CUSHION, Back Cover
4	5022955X3	2	ARM REST SET (Includes Ref No. 5)
5	5022955X4	2	ARM REST PADS
6	5020930X3	1	SEAT ADJUSTER RAILS (set of 2)
7	5047744B	1	SEAT MOUNT
8	5046470	1	SEAT STOP ROD
9	5020047	1	COLLAR, 5/16" Set
10	5025013X32	2	BOLT, 3/8-16 x 4
11	5025057	6	NUT, 5/16-18 Hex Nylon Lock
12	5025096	3	NUT, 3/8-16 Hex Nylon Lock
13	5025013X48	1	BOLT, 3/8-16 x 6
14	5025156	1	WASHER, 3/8" SAE
15	5046586	1	SPACER, .38 X .50 X 5.06
16	5022798	1	SPRING, Compression
17	5025326	1	WASHER, 3/8 x 2
18	5022094	1	SWITCH, Plunger, NO/NC
19	5025270	2	SCREW, #10-24 x 1
20	25029	2	NUT, #10-24 Hex
21	5022612	2	RUBBER BUMPER
22	5100652	1	SPRING, EXTENSION, 4" SEAT ADJUSTMENT (Not shown.)

## Footnotes

---

### The above parts group applies to the following Mfg. Nos.:

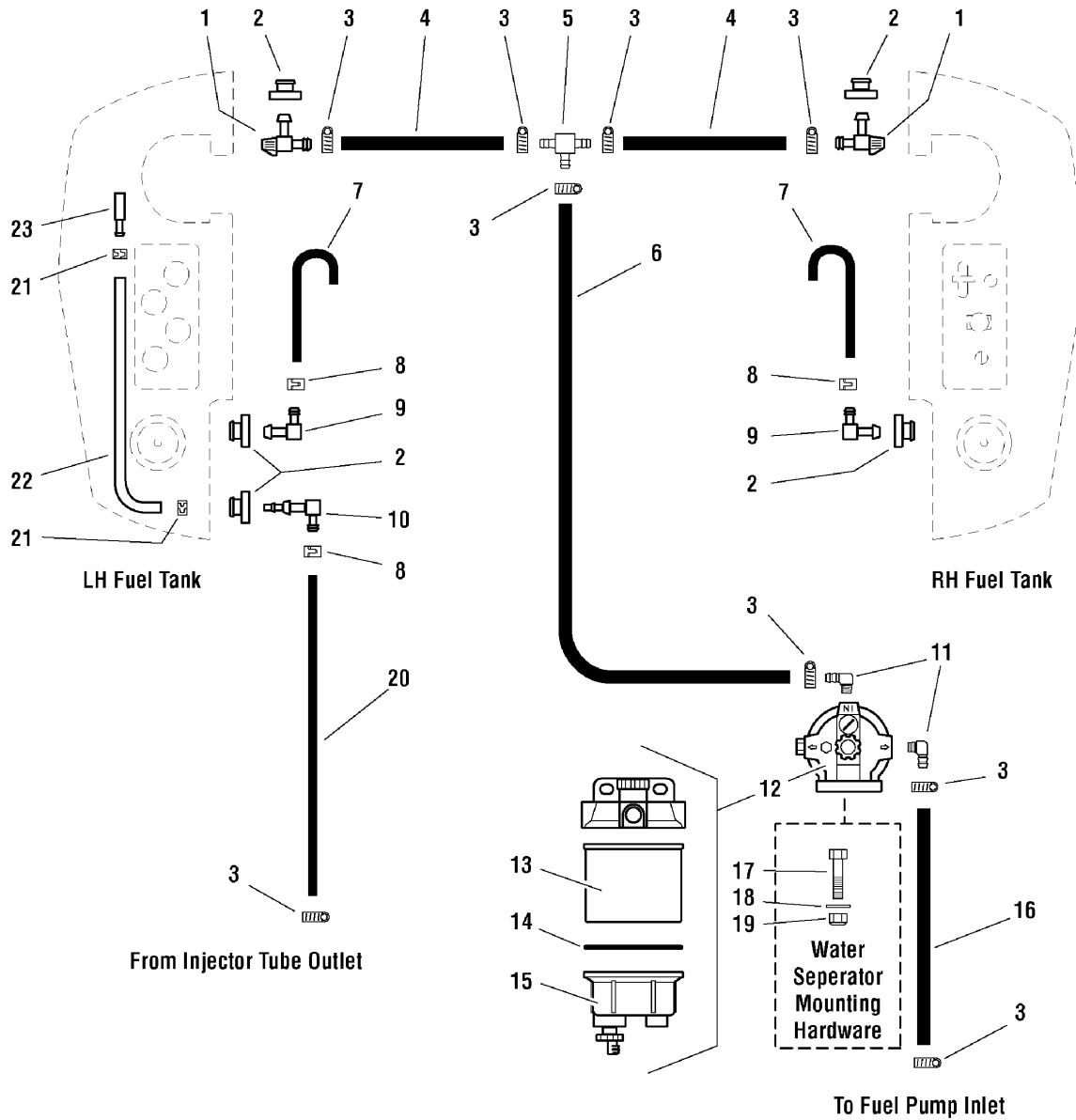
5901074 (S/N: 1226 & above) (IS5000Z/C3)

5901071 (S/N: 1226 & above) (IS5000Z/C3)

5901070 (S/N: 1226 & above) (IS5000Z/C3)

## Fuel Supply Hose & Tank Replacement Parts Group

NOTE: Unless noted otherwise, use the standard hardware torque specification chart.



The above parts group applies to the following Mfg. Nos.:

5901074 (S/N: 1226 & above) (IS5000Z/C3)

5901071 (S/N: 1226 & above) (IS5000Z/C3)

5901070 (S/N: 1226 & above) (IS5000Z/C3)

## **Fuel Supply Hose & Tank Replacement Parts Group**

<b>REF NO.</b>	<b>PART NO.</b>	<b>QTY.</b>	<b>DESCRIPTION</b>
1	5023060	2	VALVE, Fuel Shut-Off
2	1726400	5	GROMMET
3	5022922	9	CLAMP, #4 Hose
4	5050919X36	2	HOSE, 36"
5	5022920	1	FITTING, TEE, 3/8" Hose
6	5050919X34	1	HOSE, 34"
7	5050831X20	2	1/4" Fuel Line, 20" Long
8	5020835	3	CLAMP, Hose
9	1674231	2	ELBOW FITTING
10	5023061	1	ELBOW FITTING
11	5022708	2	FITTING, 1/4" NPT, 90 Deg.
12	5022926	1	FILTER/WATER SEPARATOR ASSEMBLY, Complete (Includes Ref No. 13 - 15)
13	5022926X1	1	FUEL FILTER
14	5022926X2	1	O-RING SEAL
15	5022926X3	1	BOWL
16	5050831X48	1	1/4" Fuel Line, 48" Long
17	5025013X12	2	BOLT, 3/8-16 x 1-1/2
18	5025156	2	WASHER, 3/8" SAE
19	5025096	2	NUT, 3/8-16 Hex Nylon Lock
20	50919-63	1	HOSE, 63"
21	5023069	2	HOSE CLAMP
22	5050925X26	1	HOSE, 26"
23	5023068	1	CONNECTOR FITTING

### **Footnotes**

---

#### **The above parts group applies to the following Mfg. Nos.:**

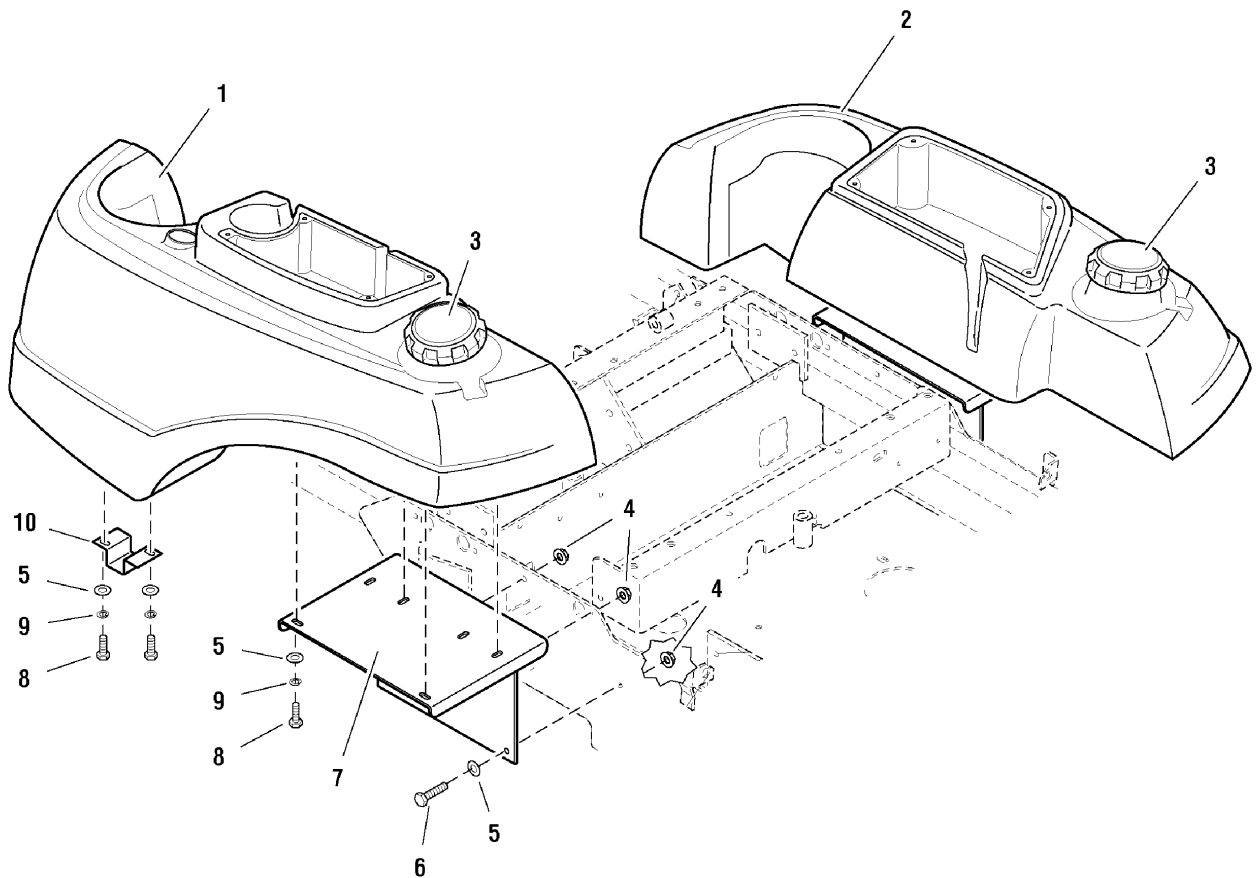
5901074 (S/N: 1226 & above) (IS5000Z/C3)

5901071 (S/N: 1226 & above) (IS5000Z/C3)

5901070 (S/N: 1226 & above) (IS5000Z/C3)

## Fuel Tank & Mount Group

NOTE: Unless noted otherwise,  
use the standard hardware torque  
specification chart.



The above parts group applies to the following Mfg. Nos.:

5901074 (S/N: 1226 & above) (IS5000Z/C3)

5901071 (S/N: 1226 & above) (IS5000Z/C3)

5901070 (S/N: 1226 & above) (IS5000Z/C3)



## **Fuel Tank & Mount Group**

<b>REF NO.</b>	<b>PART NO.</b>	<b>QTY.</b>	<b>DESCRIPTION</b>
1	5049120	1	FUEL TANK, IS5000Z, LH
2	5049121	1	FUEL TANK, IS5000Z, RH
3	5022915	2	FUEL TANK CAP, DIESEL (Yellow center, non-vented)
4	5025139	8	NUT, 5/16-18 Hex Large Serrated Flange
5	5025155	20	WASHER, 5/16" SAE
6	5025011X8	8	BOLT, 5/16-18 x 1
7	5048527B	2	FUEL TANK MOUNT
8	5025011X6	12	BOLT, 5/16-18 x 3/4
9	5025170	12	WASHER, 5/16" Lock
10	5047993B	2	GUARD, Tank Valve

## **Footnotes**

---

### **The above parts group applies to the following Mfg. Nos.:**

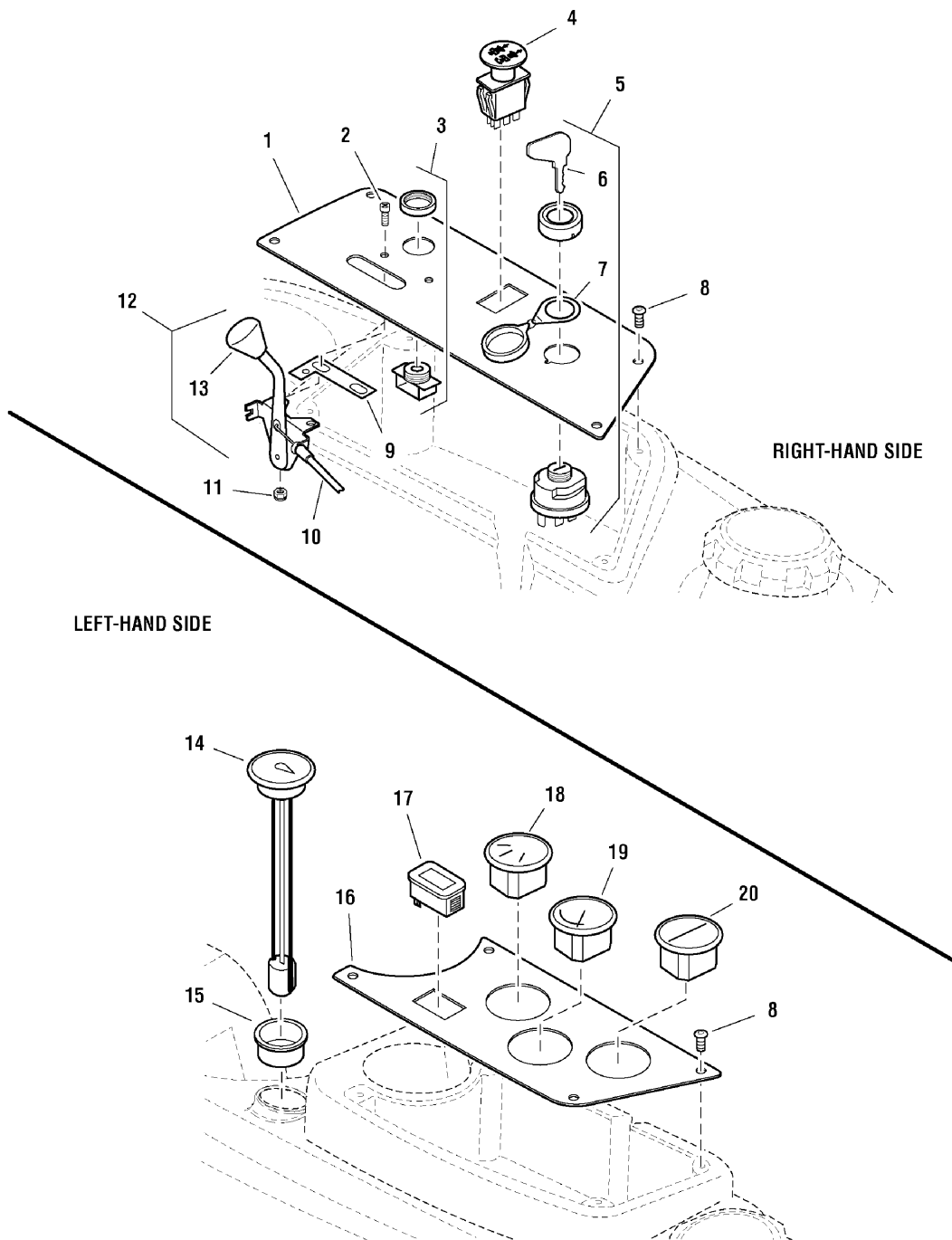
5901074 (S/N: 1226 & above) (IS5000Z/C3)

5901071 (S/N: 1226 & above) (IS5000Z/C3)

5901070 (S/N: 1226 & above) (IS5000Z/C3)

## Instrument & Control Panel Group

NOTE: Unless noted otherwise,  
use the standard hardware torque  
specification chart.



**The above parts group applies to the following Mfg. Nos.:**

5901074 (S/N: 1226 & above) (IS5000Z/C3)

5901071 (S/N: 1226 & above) (IS5000Z/C3)

5901070 (S/N: 1226 & above) (IS5000Z/C3)

## **Instrument & Control Panel Group**

<b>REF NO.</b>	<b>PART NO.</b>	<b>QTY.</b>	<b>DESCRIPTION</b>
1	5049178A	1	CONTROL PANEL-RH
2	25179-6	2	SCREW, #10-24 x 3/4
3	5022883X4	1	INDICATOR, Glow Plug
4	5022180	1	SWITCH, PTO
5	5022883X1	1	SWITCH, Ignition, Complete (Includes Ref No. 3 & 4)
6	5022883X2	1	KEY, Ignition (Set of 2)
7	5022883X3	1	COVER PLATE
8	5025299X4	8	SCREW, Allen Head, 1/4-20 x 1/2
9	5048475	1	THROTTLE STOP PLATE (CE models only)
10	5046392	1	CABLE, Throttle Control, 47-1/2"
11	5025271	2	NUT, #10-24 Hex Nylon Lock
12	5046360	1	HANDLE, Throttle Control, Complete (with knob)
13	5046360X1	1	KNOB
14	5022917	1	FUEL GAUGE
15	5022917X1	1	GROMMET
16	5049177A	1	CONTROL PANEL-LH
17	5023244	1	HOURMETER, Digital
18	5022387	1	GAUGE, Voltmeter
19	5022483	1	GAUGE, Water Temperature
20	5046473	1	GAUGE, Warning, Oil/Temp

### **Footnotes**

---

#### **The above parts group applies to the following Mfg. Nos.:**

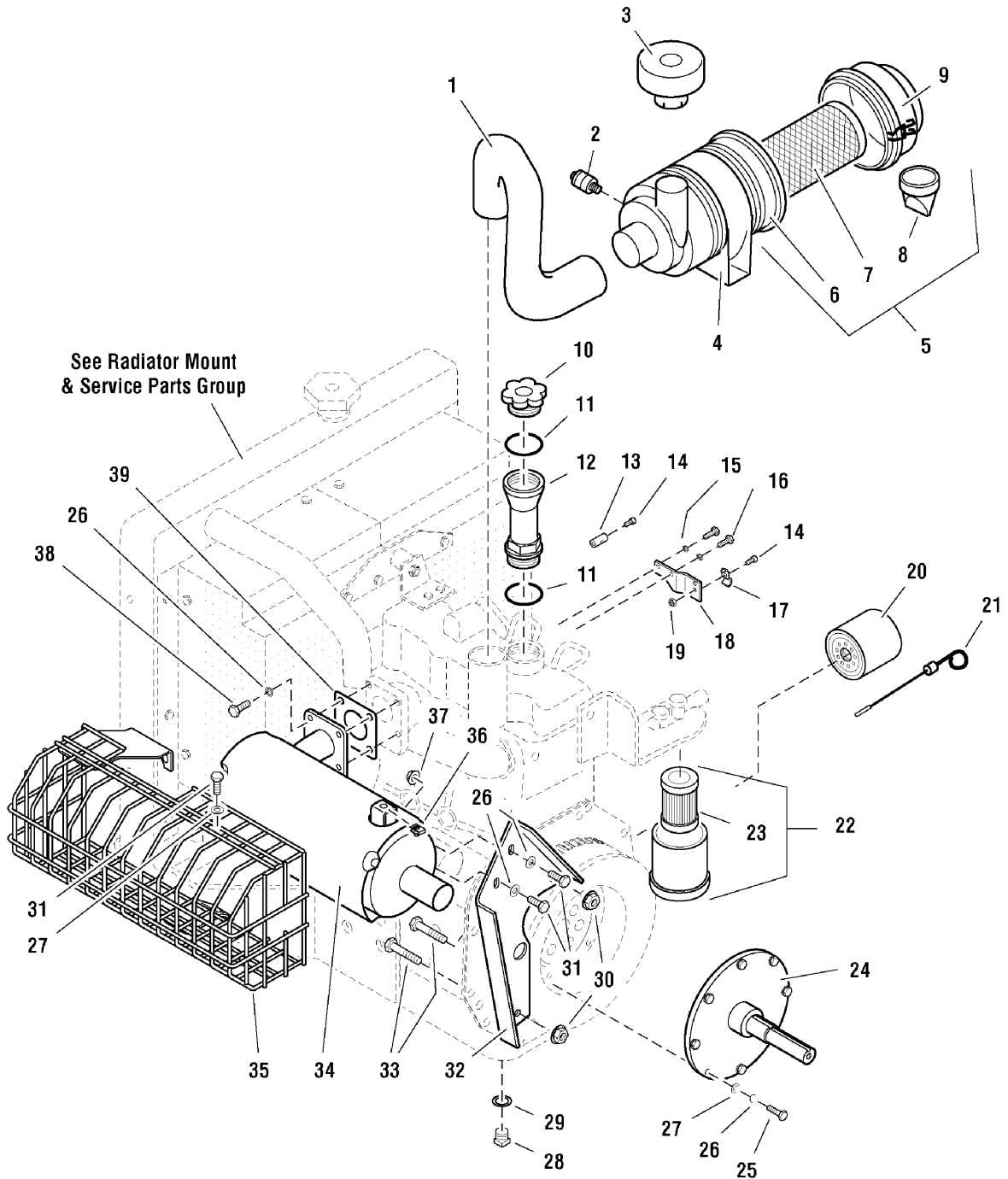
5901074 (S/N: 1226 & above) (IS5000Z/C3)

5901071 (S/N: 1226 & above) (IS5000Z/C3)

5901070 (S/N: 1226 & above) (IS5000Z/C3)

## Engine Accessories & Service Parts Group

NOTE: Unless noted otherwise,  
use the standard hardware torque  
specification chart.



The above parts group applies to the following Mfg. Nos.:

5901074 (S/N: 1226 & above) (IS5000Z/C3)

5901071 (S/N: 1226 & above) (IS5000Z/C3)

5901070 (S/N: 1226 & above) (IS5000Z/C3)

## Engine Accessories & Service Parts Group

REF NO.	PART NO.	QTY.	DESCRIPTION
1	5022883X33	1	AIR INLET HOSE
2	5022883X45	1	AIR CLEANER INDICATOR
3	5022591	1	PRE-CLEANER
4	5022883X44	1	AIR CLEANER BRACKET
5	5022883X29	1	AIR CLEANER ASSEMBLY, Complete (Includes Ref No. 6 - 9)
6	5022883X46	1	AIR CLEANER HOUSING ASSEMBLY
7	5022883X31	1	AIR CLEANER ELEMENT
8	5022883X32	1	AIR CLEANER DUST VALVE
9	5022883X30	1	AIR CLEANER COVER
10	5022883X7	1	OIL FILL CAP
11	5022883X8	2	OIL FILL O-RING SEAL
12	5022883X6	1	OIL FILL EXTENSION
13	5047650	1	BARREL CLAMP
14	25179-6	2	SCREW, #10-24 x 3/4
15	5025169	2	WASHER, 1/4" Lock
16	5025248	2	BOLT, M6 x 10MM
17	5022901	1	CLAMP
18	5047392	1	THROTTLE BRACKET
19	5025271	1	NUT, #10-24 Hex Nylon Lock
20	5022883X11	1	OIL FILTER
21	5022883X20	1	DIPSTICK
22	5022883X19B	1	FUEL FILTER ASSEMBLY, Complete (Includes 22883-19C)
23	5022883X19C	1	FILTER ELEMENT
24	5047306	1	STUB SHAFT & FLYWHEEL PLATE ASSEMBLY
25	5025011X10	8	BOLT, 5/16-18 x 1-1/4
26	5025170	12	WASHER, 5/16" Lock
27	5025155	18	WASHER, 5/16" SAE
28	5022883X21	1	OIL PAN PLUG
29	5022883X22	1	WASHER, Oil Pan Plug
30	5025128	2	NUT, 3/8-16 Hex Serrated Flange
31	5025011X8	2	BOLT, 5/16-18 x 1
32	5048600B	1	MUFFLER SUPPORT
33	5025013X14	2	BOLT, 3/8-16 x 1-3/4
34	5023125	1	MUFFLER
35	5023126	1	WIRE GUARD (Export models only)
36	5022308	1	BODY CLIP, 5/16-18
37	5025127	2	NUT, 5/16-18 Hex Small Serrated Flange
38	25237	4	BOLT, M8 x 25MM
39	5022883X36	1	GASKET, Exhaust Manifold
40	5022883X9	1	FUEL SOLENOID (Not an illustrated part)
41	5022883X10	1	WASHER, Fuel Solenoid (Not an illustrated part)

### Footnotes

#### The above parts group applies to the following Mfg. Nos.:

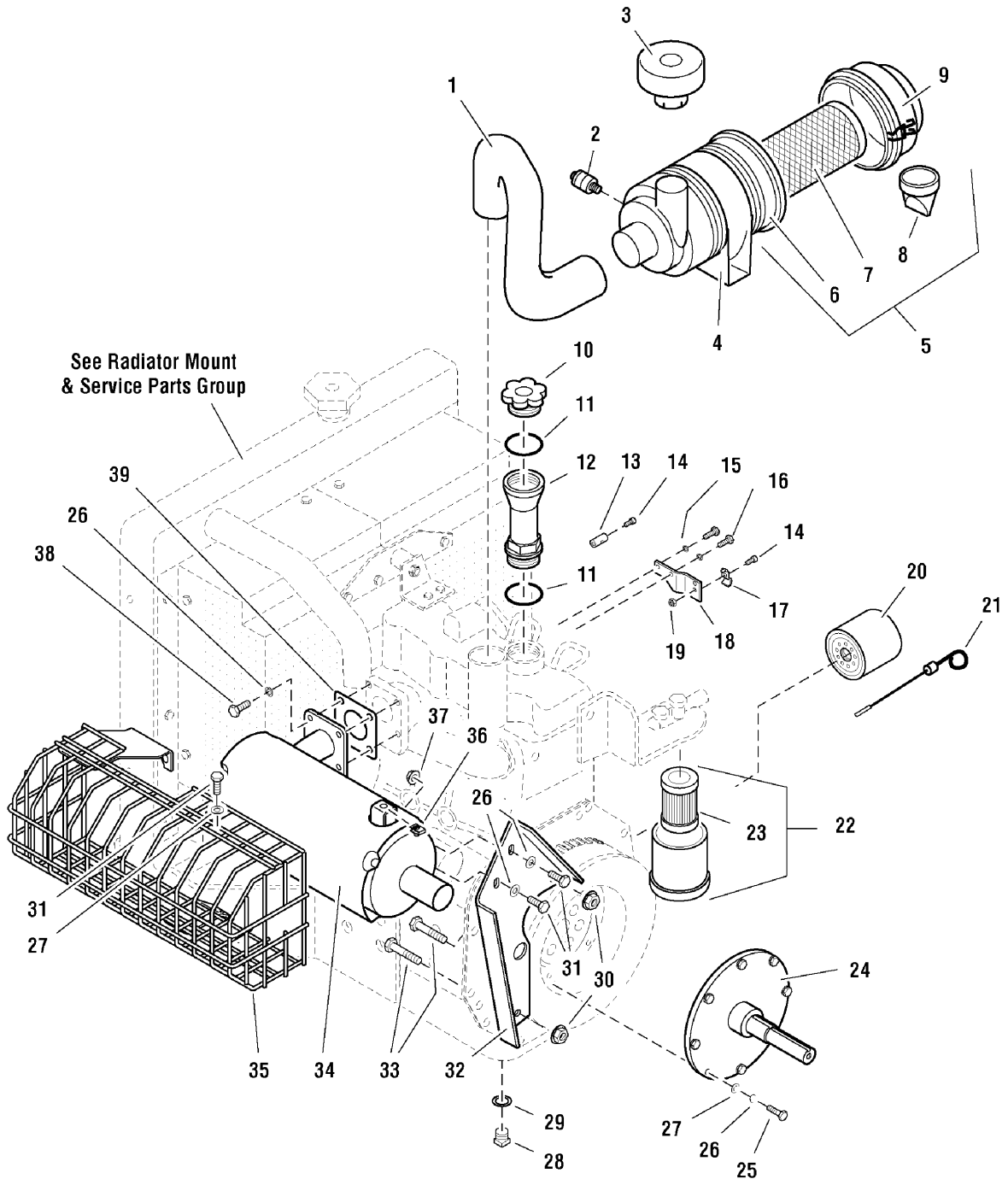
5901074 (S/N: 1226 & above) (IS5000Z/C3)

5901071 (S/N: 1226 & above) (IS5000Z/C3)

5901070 (S/N: 1226 & above) (IS5000Z/C3)

# Engine Accessories & Service Parts Group

NOTE: Unless noted otherwise, use the standard hardware torque specification chart.



**The above parts group applies to the following Mfg. Nos.:**

- 5901074 (S/N: 1226 & above) (IS5000Z/C3)
- 5901071 (S/N: 1226 & above) (IS5000Z/C3)
- 5901070 (S/N: 1226 & above) (IS5000Z/C3)

## Engine Accessories & Service Parts Group

REF NO.	PART NO.	QTY.	DESCRIPTION
42	5022883X12	1	WATER PUMP (Not an illustrated part)
43	5022883X14	1	WATER HOSE-UPPER (Not an illustrated part)
44	5022883X15	1	WATER HOSE-LOWER (Not an illustrated part)
45	5022883X16	1	GASKET, Water Pump (Not an illustrated part)
46	5022883X17	1	THERMOSTAT (Not an illustrated part)
47	5022883X18	1	GASKET, Thermostat (Not an illustrated part)
48	5022883X23	1	STARTER MOTOR (Not an illustrated part)
49	5022883X24	1	ALTERNATOR (Not an illustrated part)
50	5022883X25	1	BELT (Not an illustrated part)
51	5022883X26	1	FUEL PUMP (Not an illustrated part)
52	5022883X27	1	GASKET, Fuel Pump (Not an illustrated part)
53	5022883X28	3	GLOW PLUG (Not an illustrated part)
54	5022883X38	1	RADIATOR (Not an illustrated part)
55	5022883X39	1	SWITCH, Oil Pressure (Not an illustrated part)
56	5022883X40	1	SWITCH, Water Temperature (Not an illustrated part)
57	5022883X41	1	STARTER SOLENOID (Not an illustrated part)
58	5022883X42	1	SEAL, Rear Main (Not an illustrated part)
59	5022883X43	1	SEAL, Front Main (Not an illustrated part)
60	5022883X47	3	INJECTOR ASSEMBLY (Not an illustrated part)
61	5022883X48	3	WASHER, 4-HOLE (Not an illustrated part)
62	5022883X49	3	WASHER, SEALING (Not an illustrated part)
63	5022883X50	3	WASHER, CRUSH (Not an illustrated part)

### Footnotes

---

#### The above parts group applies to the following Mfg. Nos.:

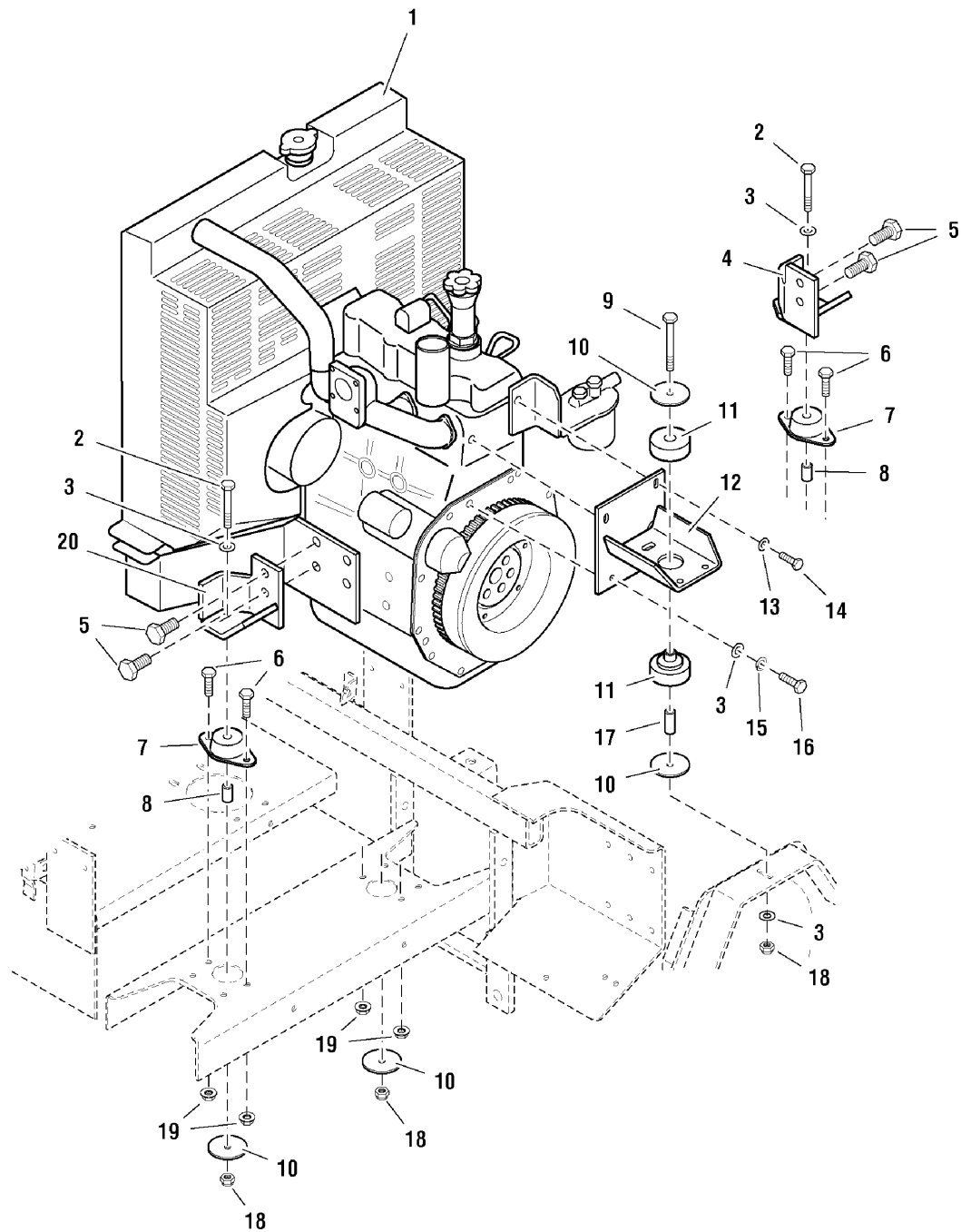
5901074 (S/N: 1226 & above) (IS5000Z/C3)

5901071 (S/N: 1226 & above) (IS5000Z/C3)

5901070 (S/N: 1226 & above) (IS5000Z/C3)

## Engine & Mount Group

NOTE: Unless noted otherwise,  
use the standard hardware torque  
specification chart.



The above parts group applies to the following Mfg. Nos.:

5901074 (S/N: 1226 & above) (IS5000Z/C3)

5901071 (S/N: 1226 & above) (IS5000Z/C3)

5901070 (S/N: 1226 & above) (IS5000Z/C3)



## Engine & Mount Group

REF NO.	PART NO.	QTY.	DESCRIPTION
1	5022883	1	ENGINE, Caterpillar 31.5 HP Diesel
2	5025013X20	2	BOLT, 3/8-16 x 2-1/2
3	5025156	5	WASHER, 3/8" SAE
4	5047364B	1	MOTOR MOUNT - RH
5	25357	4	BOLT, M14 x 30MM
6	5025013X8	4	BOLT, 3/8-16 x 1
7	5022896	2	ISO MOUNT, Front
8	5044959	2	SPACER, .38 x .50 x 1.00
9	5025013X24	1	BOLT, 3/8-16 x 3
10	5047381	4	WASHER, 3/8 x 2-1/2
11	5022897	1	ISO MOUNT, Rear (2 piece)
12	5047360B	1	MOTOR MOUNT - Upper
13	5025155	2	WASHER, 5/16" SAE
14	5025249	2	BOLT, M8 x 20MM
15	5025171	2	WASHER, 3/8" Lock
16	5025333	2	BOLT, M10 x 30MM
17	5047380	1	SPACER, .38 x .62 x 1.62
18	5025096	3	NUT, 3/8-16 Hex Nylon Lock
19	5025128	4	NUT, 3/8-16 Hex Serrated Flange
20	5047365B	1	MOTOR MOUNT - LH

### Footnotes

- See your local Caterpillar engine dealer for parts & service.

---

### The above parts group applies to the following Mfg. Nos.:

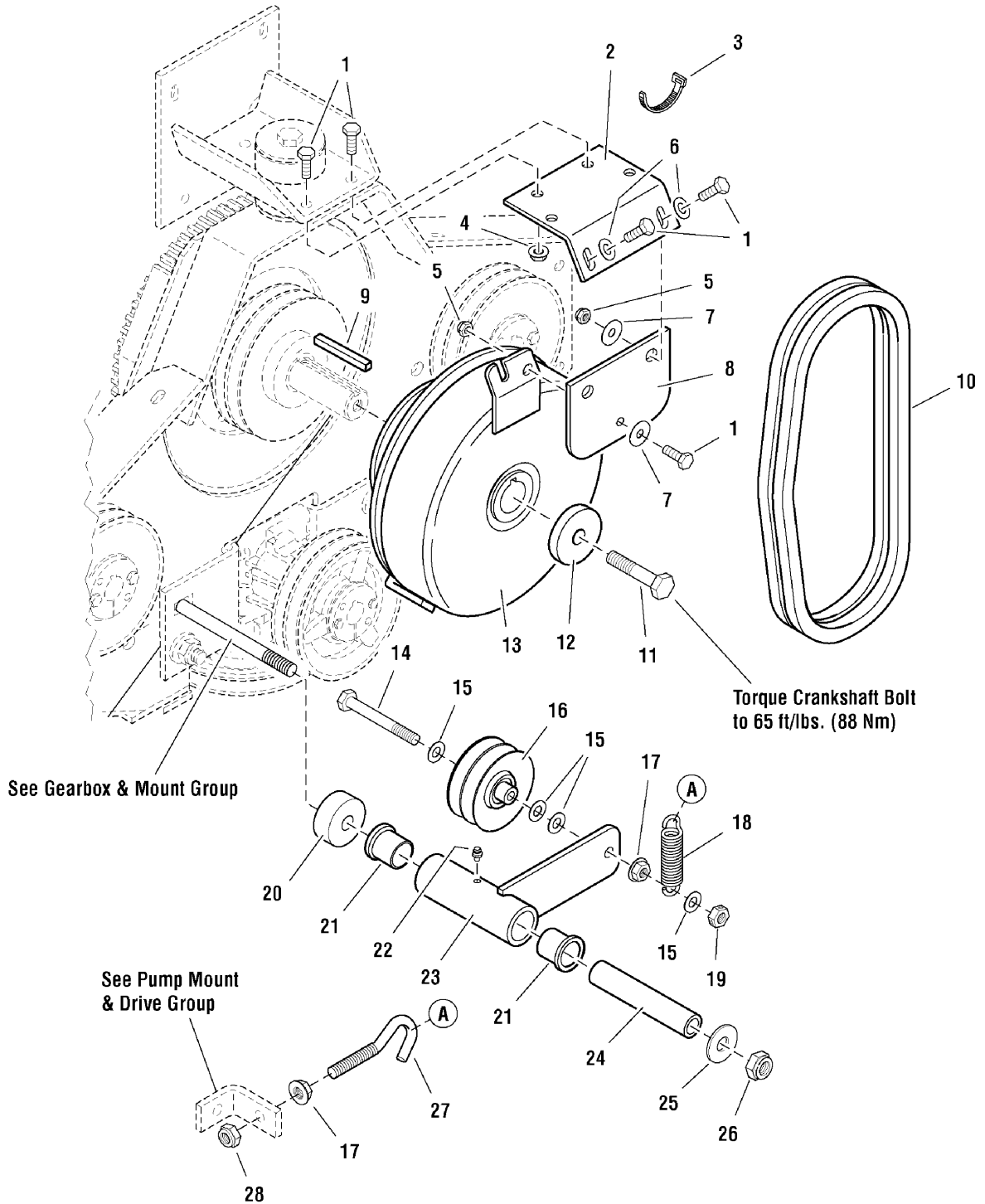
5901074 (S/N: 1226 & above) (IS5000Z/C3)

5901071 (S/N: 1226 & above) (IS5000Z/C3)

5901070 (S/N: 1226 & above) (IS5000Z/C3)

# PTO Clutch & Anchor Group

**NOTE:** Unless noted otherwise, use the standard hardware torque specification chart.



**The above parts group applies to the following Mfg. Nos.:**

5901074 (S/N: 1226 & above) (IS5000Z/C3)

5901071 (S/N: 1226 & above) (IS5000Z/C3)

5901070 (S/N: 1226 & above) (IS5000Z/C3)

## **PTO Clutch & Anchor Group**

<b>REF NO.</b>	<b>PART NO.</b>	<b>QTY.</b>	<b>DESCRIPTION</b>
1	5025011X8	5	BOLT, 5/16-18 x 1
2	5047563B	1	CLUTCH ANCHOR
3	5021030	1	TIE WRAP, 5-1/2"
4	5025127	2	NUT, 5/16-18 Hex Small Serrated Flange
5	5025045	3	NUT, 5/16-24, Hex Nylon Lock
6	5025155	2	WASHER, 5/16" SAE
7	5044617	3	WASHER, Clutch Anchor
8	5043636	1	CLUTCH ANCHOR PAD
9	5050407X2	1	KEY, 1/4 SQ. X 3
10	5022575	1	BELT, Clutch Drive (set of 2)
11	5045473	1	CRANKSHAFT BOLT, 7/16 x 1-1/2
12	5045475	1	SPACER, .45 x 1.88 x .38
13	5022884	1	PTO CLUTCH
14	5025013X24	1	BOLT, 3/8-16 x 3
15	5025156	4	WASHER, 3/8" SAE
16	5022797	1	PULLEY, Idler
17	5025128	2	NUT, 3/8-16 Hex Serrated Flange
18	1608395	1	SPRING, Extension
19	5025100	1	NUT, 3/8-16 Hex Side Lock
20	5046916	1	SPACER, .51 x 1.75 x .75
21	5022250	2	BUSHING, Flange
22	5020095	1	GREASE FITTING
23	5046565B	1	CLUTCH DRIVE IDLER ARM
24	5045305	1	PIVOT SLEEVE, Long
25	5025158	1	WASHER, 1/2" SAE
26	5025056	1	NUT, 1/2-13 Hex Nylon Lock
27	5025321	1	SCREW HOOK, 3/8-16 x 4-1/4
28	5025096	1	NUT, 3/8-16 Hex Nylon Lock

### **Footnotes**

---

#### **The above parts group applies to the following Mfg. Nos.:**

5901074 (S/N: 1226 & above) (IS5000Z/C3)

5901071 (S/N: 1226 & above) (IS5000Z/C3)

5901070 (S/N: 1226 & above) (IS5000Z/C3)



## Pump Mount & Drive Group

REF NO.	PART NO.	QTY.	DESCRIPTION
1	5025098	4	NUT, 1/2-20 Hex Nylon Lock
2	5044913	4	WASHER, Frame Retaining
3	5047361B	1	PUMP MOUNT PLATE
4	5025018X14	4	BOLT, 1/2-20 x 1-3/4
5	5022382	2	PULLEY, Pump Drive
6	5022383	2	HUB, Taper Lock
7	5023254	2	KEY, 5MM SQ. x 25MM w/ Round Ends
8	5025010X8	4	BOLT, 1/4-20 x 1
9	5022899	1	PULLEY, Pump Drive
10	5050404X4	1	KEY, 5/16 SQ. X 1-1/4
11	5022314	1	BELT, Pump Drive (set of 2)
12	5025017X40	1	BOLT, 1/2-13 x 5
13	5022847	1	SPRING, Extension, Swivel End
14	5025158	1	WASHER, 1/2" SAE
15	5050857X3P25	1	HOSE, 3-1/4
16	5025301	1	NUT, 1/2-13 Hex Jam
17	5025013X36	1	BOLT, 3/8-16 x 4-1/2
18	5042142B	1	SPRING ANCHOR
19	5044933	2	SPACER, .39 x .75 x .38
20	5025305	1	WASHER, 3/8 x 1-3/4
21	5025100	1	NUT, 3/8-16 Hex Side Lock
22	5025156	8	WASHER, 3/8" SAE
23	5047199	1	SPACER, .38 x .50 x .75
24	5022373	1	PULLEY, Idler, Flat
25	5022157	2	BUSHING, Brass
26	5046574B	1	PUMP DRIVE IDLER ARM
27	5045135	1	SPACER, .39 X 1.00 X 2.55
28	5045475	1	SPACER, .45 x 1.88 x .38
29	5025013X24	1	BOLT, 3/8-16 x 3
30	5025056	1	NUT, 1/2-13 Hex Nylon Lock
31	5025013X8	6	BOLT, 3/8-16 x 1
32	5025128	6	NUT, 3/8-16 Hex Serrated Flange
33	5025096	1	NUT, 3/8-16 Hex Nylon Lock

### Footnotes

---

#### The above parts group applies to the following Mfg. Nos.:

5901074 (S/N: 1226 & above) (IS5000Z/C3)

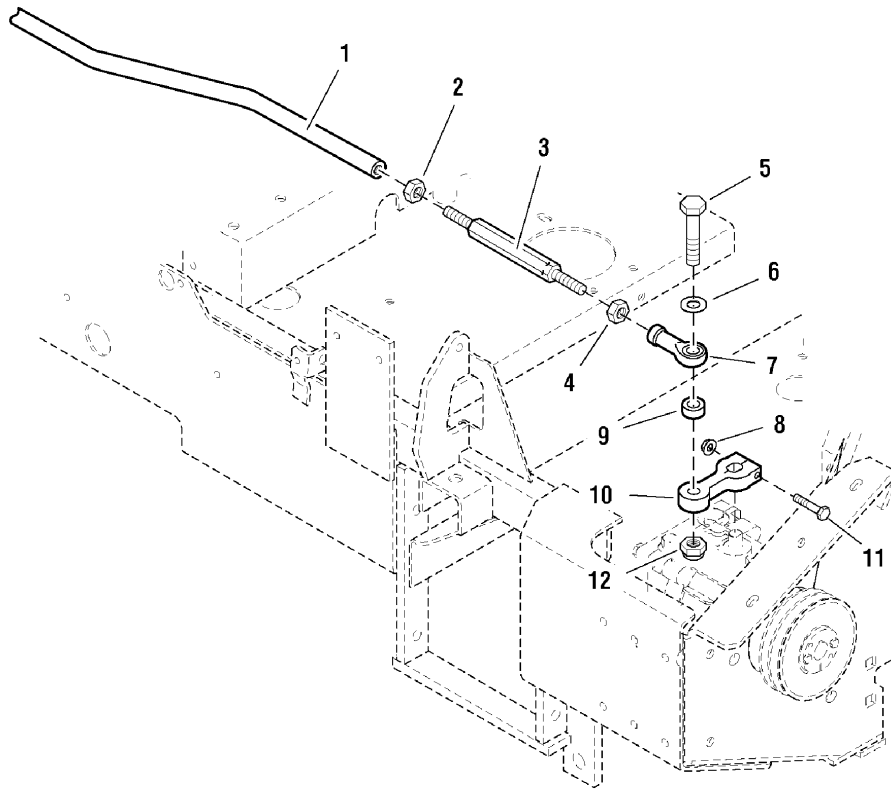
5901071 (S/N: 1226 & above) (IS5000Z/C3)

5901070 (S/N: 1226 & above) (IS5000Z/C3)

## Motion Control Group - Lower

---

NOTE: Unless noted otherwise,  
use the standard hardware torque  
specification chart.



---

**The above parts group applies to the following Mfg. Nos.:**

5901074 (S/N: 1226 & above) (IS5000Z/C3)

5901071 (S/N: 1226 & above) (IS5000Z/C3)

5901070 (S/N: 1226 & above) (IS5000Z/C3)

## **Motion Control Group - Lower**

<b>REF NO.</b>	<b>PART NO.</b>	<b>QTY.</b>	<b>DESCRIPTION</b>
1	5046393B	2	CONTROL ROD
2	5025035	2	NUT, 3/8-24 Hex
3	5047589	2	LINK, Neutral Adjust
4	25317	2	NUT, 3/8-24 Hex, LH
5	5025013X16	2	BOLT, 3/8-16 x 2
6	5025156	2	WASHER, 3/8" SAE
7	5022392	2	BALL JOINT, 3/8-24 LH, Female
8	5025126	2	NUT, 1/4-20 Hex Serrated Flange
9	5044933	2	SPACER, .39 x .75 x .38
10	5045863	2	CONTROL ARM
11	5025010X14	2	BOLT, 1/4-20 x 1-3/4
12	5025096	2	NUT, 3/8-16 Hex Nylon Lock

## **Footnotes**

---

### **The above parts group applies to the following Mfg. Nos.:**

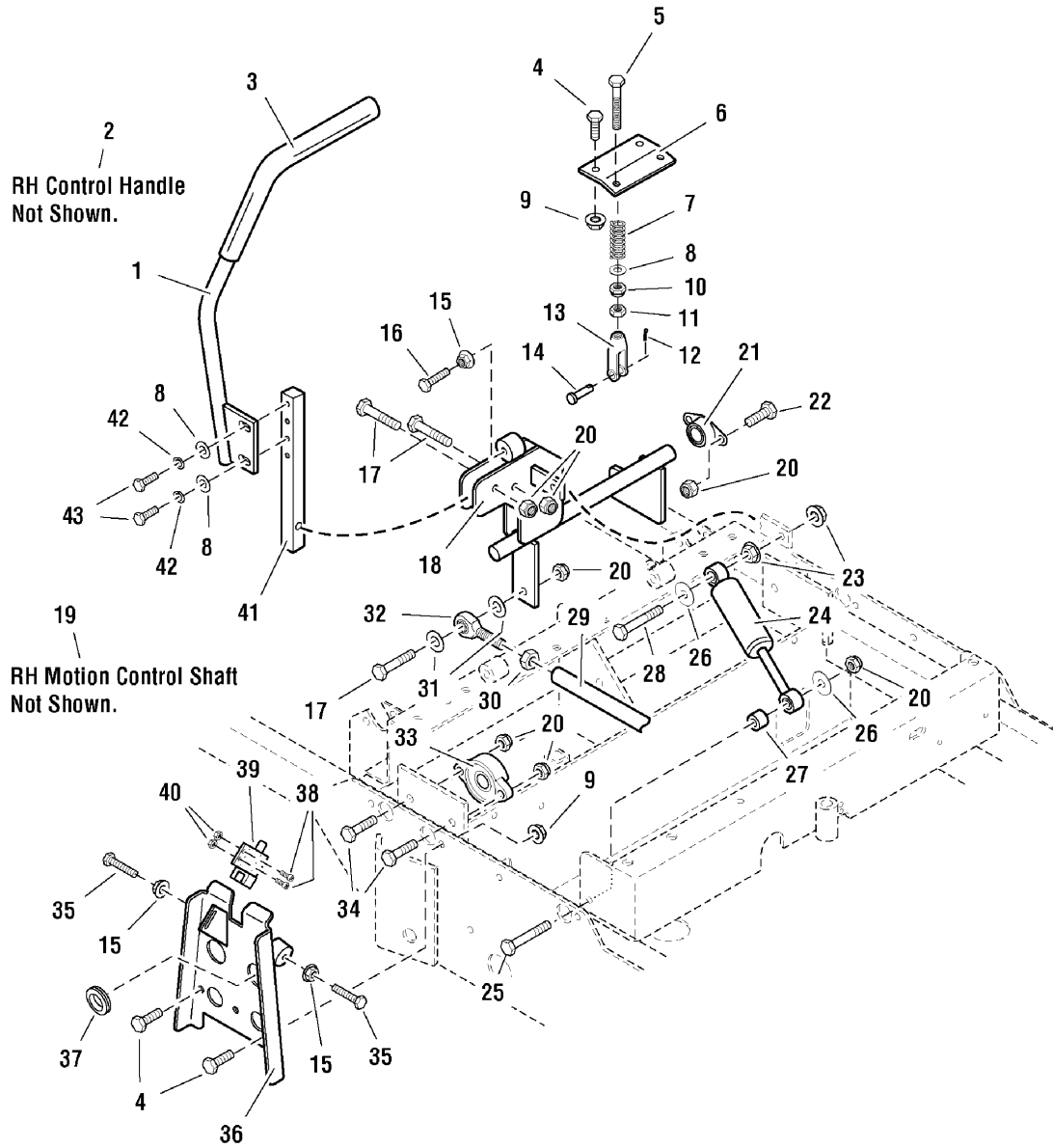
5901074 (S/N: 1226 & above) (IS5000Z/C3)

5901071 (S/N: 1226 & above) (IS5000Z/C3)

5901070 (S/N: 1226 & above) (IS5000Z/C3)

## Motion Control Group - Upper

NOTE: Unless noted otherwise,  
use the standard hardware torque  
specification chart.



The above parts group applies to the following Mfg. Nos.:

5901074 (S/N: 1226 & above) (IS5000Z/C3)

5901071 (S/N: 1226 & above) (IS5000Z/C3)

5901070 (S/N: 1226 & above) (IS5000Z/C3)



## Motion Control Group - Upper

REF NO.	PART NO.	QTY.	DESCRIPTION
1	5047410B	1	CONTROL HANDLE - LH
2	5047411B	1	CONTROL HANDLE - RH (Not Shown)
3	5022068	2	GRIP, Foam
4	5025011X6	6	BOLT, 5/16-18 x 3/4
5	5047137	2	REVERSE RETURN BOLT
6	5047401B	1	NEUTRAL RETURN PLATE
7	5022645	2	SPRING, Compression
8	5025155	6	WASHER, 5/16" SAE
9	5025139	6	NUT, 5/16-18 Hex Large Serrated Flange
10	5025045	2	NUT, 5/16-24, Hex Nylon Lock
11	5025033	2	NUT, 5/16-24 Hex
12	5025211	2	HAIRPIN CLIP
13	5020979	2	CLEVIS, 5/16-24, Plastic
14	5025213X8	2	CLEVIS PIN, 5/16 x 1
15	5025127	6	NUT, 5/16-18 Hex Small Serrated Flange
16	5025055X10	2	BOLT, 5/16-18 x 1-1/4 TFL
17	5025013X14	6	BOLT, 3/8-16 x 1-3/4
18	5047375B	1	MOTION CONTROL SHAFT - LH
19	5047374B	1	MOTION CONTROL SHAFT - RH (Not Shown)
20	5025096	14	NUT, 3/8-16 Hex Nylon Lock
21	5021098	2	BEARING, Flange
22	5025013X8	2	BOLT, 3/8-16 x 1
23	5025128	4	NUT, 3/8-16 Hex Serrated Flange
24	5022912	2	DAMPENER
25	5025013X20	2	BOLT, 3/8-16 x 2-1/2
26	5025165	4	WASHER, 3/8" Fender
27	5047408	2	SPACER, .39 x .75 x .50
28	5025013X18	2	BOLT, 3/8-16 x 2-1/4
29	5046393B	2	CONTROL ROD
30	5025035	2	NUT, 3/8-24 Hex
31	5025156	4	WASHER, 3/8" SAE
32	5021124	2	BALL JOINT, 3/8-24 Male
33	5021499	2	BEARING, Flange
34	5025013X10	4	BOLT, 3/8-16 x 1-1/4
35	5025055X16	4	BOLT, 5/16-18 x 2 TFL
36	5048531B	2	NEUTRAL LOCK PLATE
37	5021379	2	GROMMET, 7/8"
38	5025270	4	SCREW, #10-24 x 1
39	5022438	2	SWITCH, Plunger, NO/NO
40	25029	4	NUT, #10-24 Hex
41	5047004	2	CONTROL LEVER BASE

## Footnotes

---

### The above parts group applies to the following Mfg. Nos.:

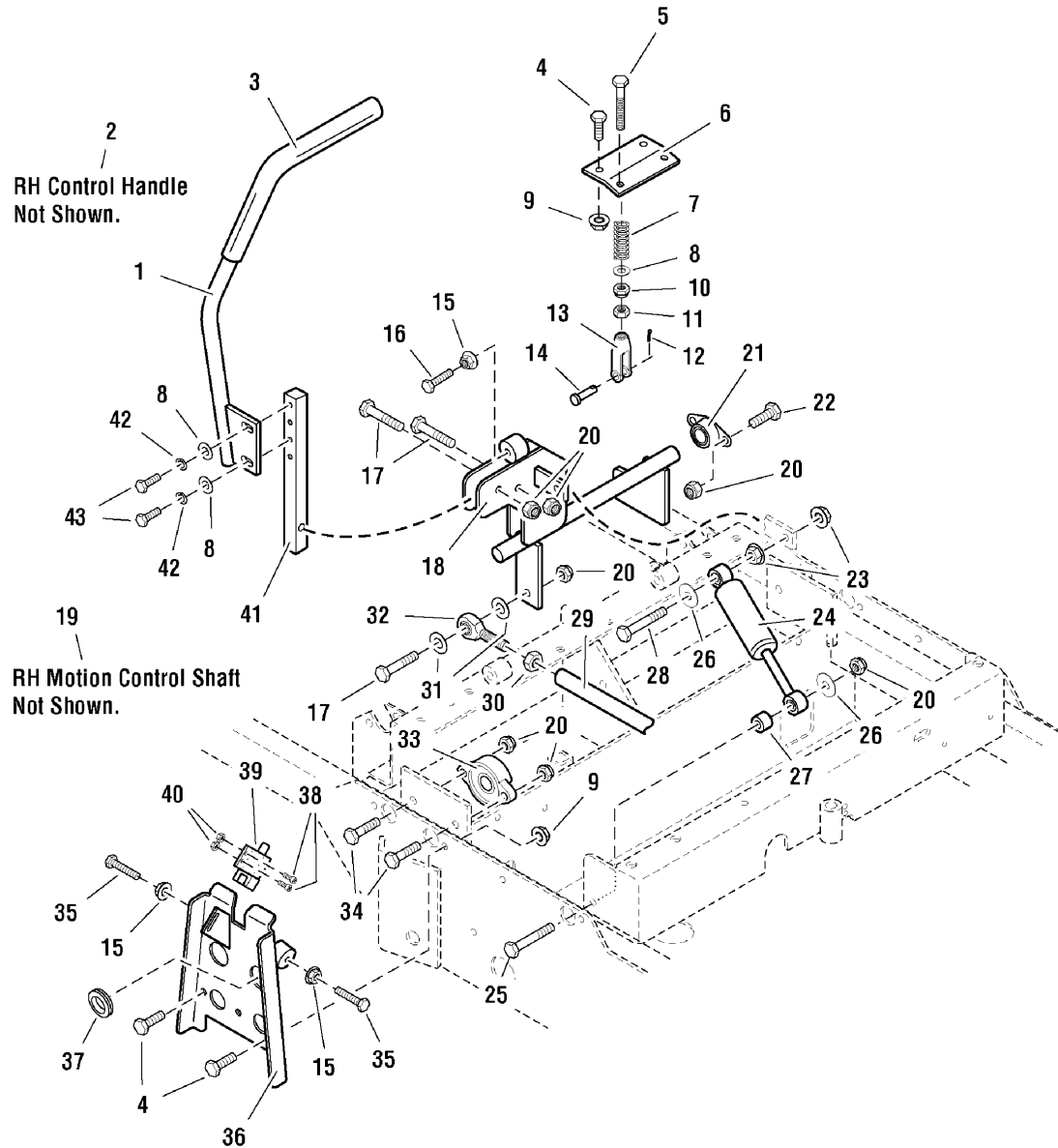
5901074 (S/N: 1226 & above) (IS5000Z/C3)

5901071 (S/N: 1226 & above) (IS5000Z/C3)

5901070 (S/N: 1226 & above) (IS5000Z/C3)

## Motion Control Group - Upper

NOTE: Unless noted otherwise,  
use the standard hardware torque  
specification chart.



The above parts group applies to the following Mfg. Nos.:

5901074 (S/N: 1226 & above) (IS5000Z/C3)

5901071 (S/N: 1226 & above) (IS5000Z/C3)

5901070 (S/N: 1226 & above) (IS5000Z/C3)

## **Motion Control Group - Upper**

---

<b>REF NO.</b>	<b>PART NO.</b>	<b>QTY.</b>	<b>DESCRIPTION</b>
42	5025170	4	WASHER, 5/16" Lock
43	5025011X6	4	BOLT, 5/16-18 x 3/4

---

### **Footnotes**

---

#### **The above parts group applies to the following Mfg. Nos.:**

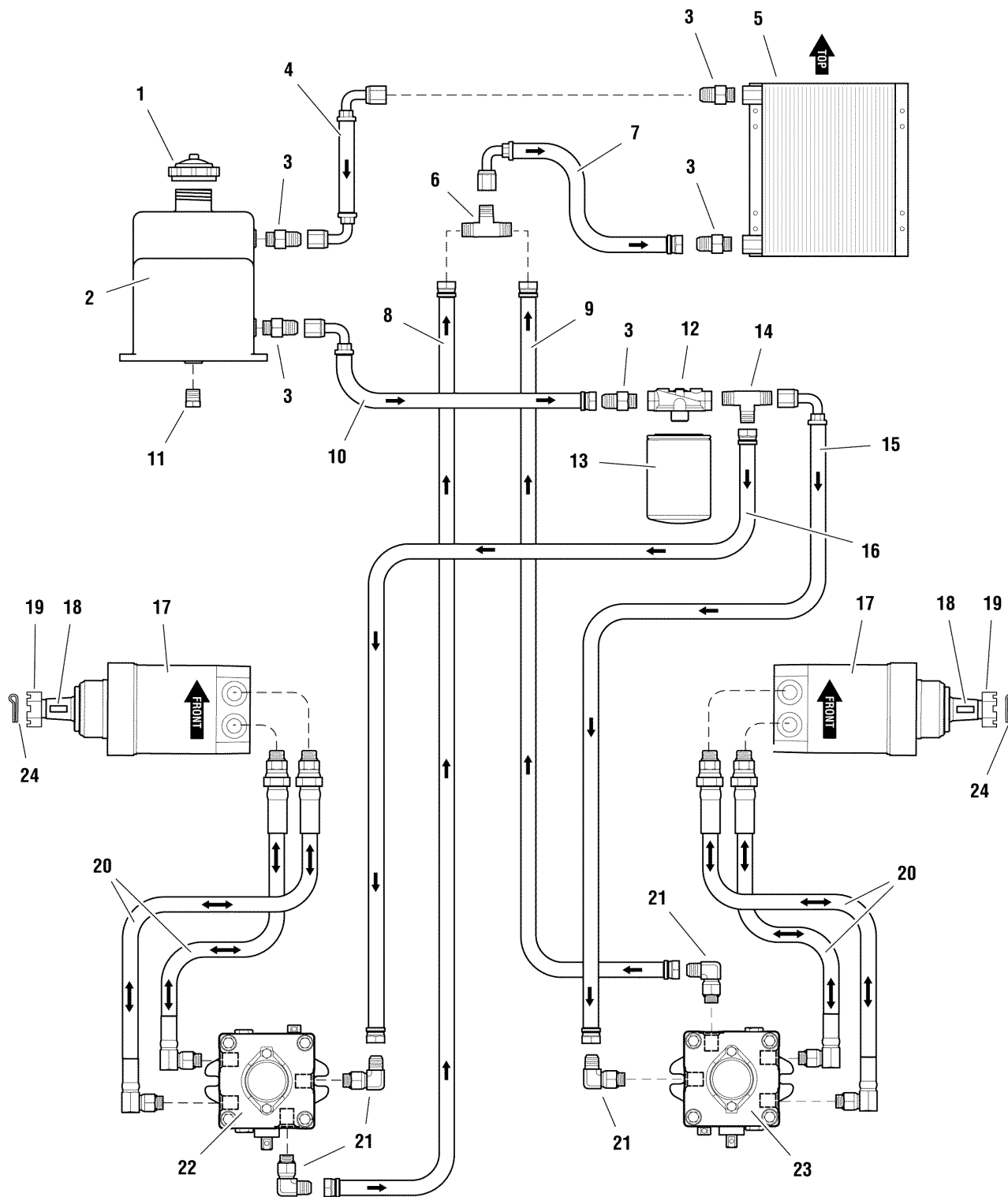
5901074 (S/N: 1226 & above) (IS5000Z/C3)

5901071 (S/N: 1226 & above) (IS5000Z/C3)

5901070 (S/N: 1226 & above) (IS5000Z/C3)

## Hydraulic Group

NOTE: Unless noted otherwise, use the standard hardware torque specification chart.



The above parts group applies to the following Mfg. Nos.:

5901074 (S/N: 1226 & above) (IS5000Z/C3)

5901071 (S/N: 1226 & above) (IS5000Z/C3)

5901070 (S/N: 1226 & above) (IS5000Z/C3)

## Hydraulic Group

REF NO.	PART NO.	QTY.	DESCRIPTION
1	5022437	1	CAP, Reservoir
2	5045872	1	HYDRAULIC OIL RESERVOIR
3	5022601	5	FITTING, NPT - JIC #8
4	5048573	1	HOSE ASSEMBLY (24")
5	5022377	1	OIL COOLER
6	5022604	1	FITTING, TEE, JIC #8
7	5048574	1	HOSE ASSEMBLY (13-1/2")
8	5048576	1	HOSE ASSEMBLY (25")
9	5048575	1	HOSE ASSEMBLY (29")
10	5047612	1	HOSE ASSEMBLY (10")
11	5020986	1	PLUG, 1/2" NPT
12	5021356	1	FILTER HEAD
13	5021357	1	FILTER
14	5022602	1	FITTING, TEE, JIC #8, NPT
15	5047611	1	HOSE ASSEMBLY (24")
16	5047610	1	HOSE ASSEMBLY (40")
17	5022368	2	HYDRAULIC WHEEL MOTOR, Complete (Includes Ref No. 18 & 19)
18	5022042X2	2	KEY
19	5022042X3	2	NUT, CASTLE, 1-20
20	5022914	4	HYDRAULIC HOSE ASSEMBLY
21	5022599	4	FITTING, O-Ring, 90 Deg.
22	5022375	1	HYDRAULIC PUMP - LH
23	5022376	1	HYDRAULIC PUMP - RH
24	5025203X16	2	PIN, COTTER, 1/8" X 2"

## Footnotes

---

### The above parts group applies to the following Mfg. Nos.:

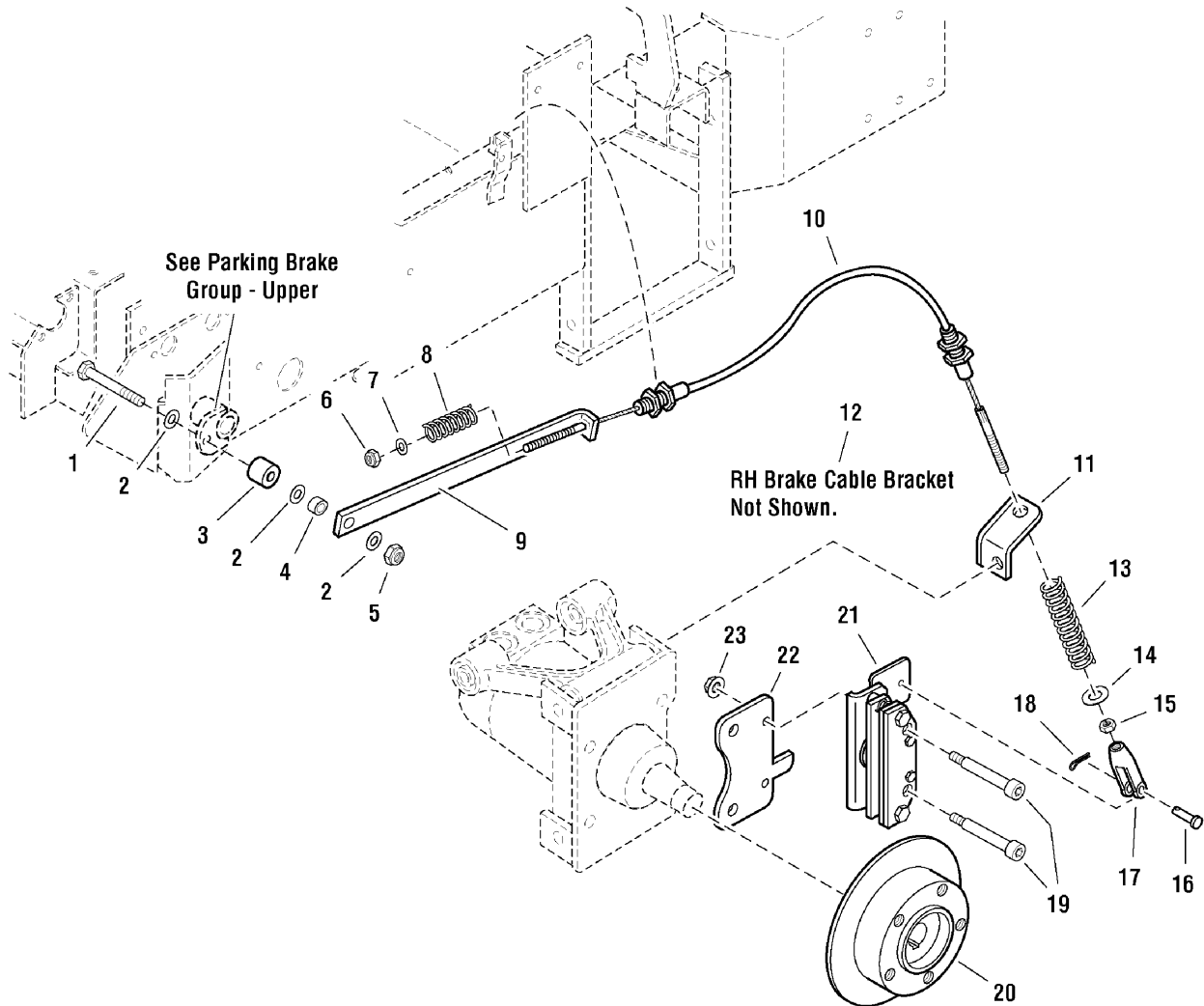
5901074 (S/N: 1226 & above) (IS5000Z/C3)

5901071 (S/N: 1226 & above) (IS5000Z/C3)

5901070 (S/N: 1226 & above) (IS5000Z/C3)

## Parking Brake Group - Lower

NOTE: Unless noted otherwise,  
use the standard hardware torque  
specification chart.



The above parts group applies to the following Mfg. Nos.:

5901074 (S/N: 1226 & above) (IS5000Z/C3)

5901071 (S/N: 1226 & above) (IS5000Z/C3)

5901070 (S/N: 1226 & above) (IS5000Z/C3)

## **Parking Brake Group - Lower**

<b>REF NO.</b>	<b>PART NO.</b>	<b>QTY.</b>	<b>DESCRIPTION</b>
1	5025013X18	2	BOLT, 3/8-16 x 2-1/4
2	5025156	6	WASHER, 3/8" SAE
3	5047125	2	SPACER, .39 x 1.00 x .88
4	5041930	2	SPACER, .38 x .50 x .27
5	5025096	2	NUT, 3/8-16 Hex Nylon Lock
6	5025045	2	NUT, 5/16-24, Hex Nylon Lock
7	5025155	2	WASHER, 5/16" SAE
8	5022361	2	SPRING, Compression
9	5047382B	2	LINK, Brake Lock
10	5023324	2	CABLE, Brake
11	5049388B	1	BRACKET, Cable Mount-LH
12	5049389B	1	BRACKET, Cable Mount-RH (Not Shown)
13	5023320	2	SPRING, Compression
14	5025164	2	WASHER, 5/16" Fender
15	5025033	2	NUT, 5/16-24 Hex
16	5025213X8	2	CLEVIS PIN, 5/16 x 1
17	5023323	2	CLEVIS, Steel, 5/16-24
18	5025203X10	2	COTTER PIN, 1/8" X 1-1/4"
19	25400	4	SHOULDER BOLT, 1/2" x 2-3/4"
20	5023300	2	BRAKE HUB
21	5023299	2	BRAKE CALIPER
22	5049391A	2	BRAKE CALIPER MOUNT
23	5025128	4	NUT, 3/8-16 Hex Serrated Flange

## **Footnotes**

---

### **The above parts group applies to the following Mfg. Nos.:**

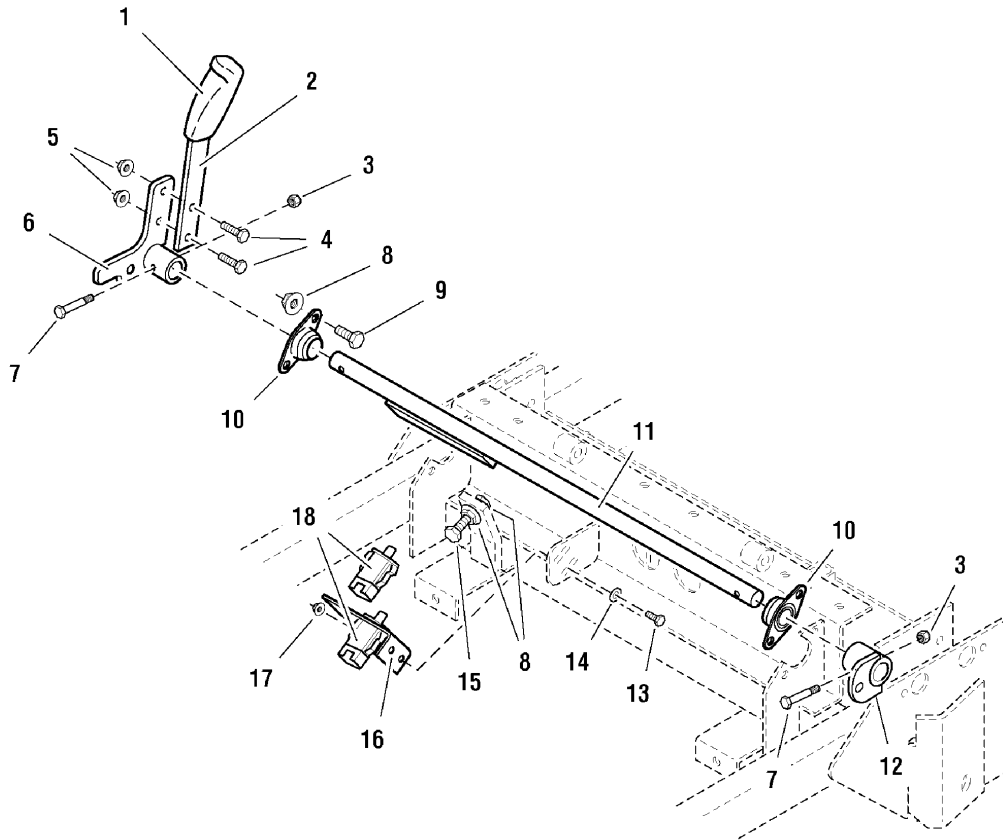
5901074 (S/N: 1226 & above) (IS5000Z/C3)

5901071 (S/N: 1226 & above) (IS5000Z/C3)

5901070 (S/N: 1226 & above) (IS5000Z/C3)

## Parking Brake Group - Upper

NOTE: Unless noted otherwise,  
use the standard hardware torque  
specification chart.



The above parts group applies to the following Mfg. Nos.:

5901074 (S/N: 1226 & above) (IS5000Z/C3)

5901071 (S/N: 1226 & above) (IS5000Z/C3)

5901070 (S/N: 1226 & above) (IS5000Z/C3)



## **Parking Brake Group - Upper**

<b>REF NO.</b>	<b>PART NO.</b>	<b>QTY.</b>	<b>DESCRIPTION</b>
1	1722302	1	GRIP
2	5045619B	1	BRAKE HANDLE
3	5025095	2	NUT, 1/4-20 Hex Nylon Lock
4	5025011X8	2	BOLT, 5/16-18 x 1
5	5025127	2	NUT, 5/16-18 Hex Small Serrated Flange
6	5045616B	1	BRAKE HANDLE MOUNT
7	5025010X14	2	BOLT, 1/4-20 x 1-3/4
8	5025128	6	NUT, 3/8-16 Hex Serrated Flange
9	5025013X6	4	BOLT, 3/8-16 x 3/4
10	5021098	2	BEARING, Flange
11	5045610B	1	BRAKE HANDLE SHAFT
12	5045618B	1	BRAKE LINKAGE PIVOT
13	5025010X6	2	BOLT, 1/4-20 x 3/4
14	5025154	2	WASHER, 1/4" SAE
15	5025058X14	1	BOLT, 3/8-16 x 1-3/4 TFL
16	5045621B	1	SWITCH MOUNT BRACKET
17	5025126	2	NUT, 1/4-20 Hex Serrated Flange
18	5022182	2	SWITCH, Plunger, Snap-In, NO/NC

## **Footnotes**

---

### **The above parts group applies to the following Mfg. Nos.:**

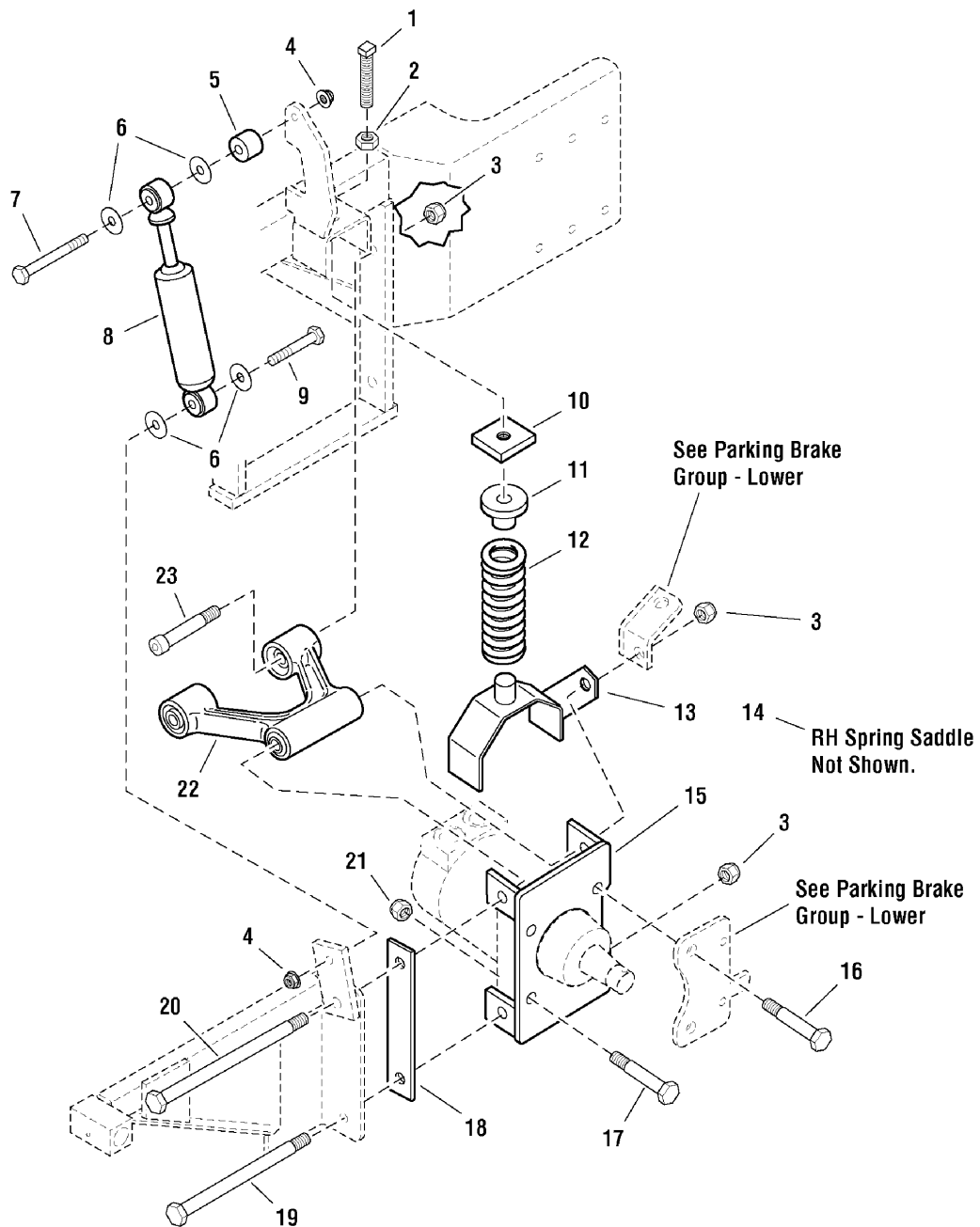
5901074 (S/N: 1226 & above) (IS5000Z/C3)

5901071 (S/N: 1226 & above) (IS5000Z/C3)

5901070 (S/N: 1226 & above) (IS5000Z/C3)

## Rear Suspension Group

NOTE: Unless noted otherwise,  
use the standard hardware torque  
specification chart.



The above parts group applies to the following Mfg. Nos.:

5901074 (S/N: 1226 & above) (IS5000Z/C3)

5901071 (S/N: 1226 & above) (IS5000Z/C3)

5901070 (S/N: 1226 & above) (IS5000Z/C3)

## Rear Suspension Group

REF NO.	PART NO.	QTY.	DESCRIPTION
1	5025298	2	SET SCREW, Square Head, 1/2-13 x 3
2	5025301	2	NUT, 1/2-13 Hex Jam
3	5025056	12	NUT, 1/2-13 Hex Nylon Lock
4	5025394	4	NUT, 3/8-16 Hex Nylock Flange
5	5043815	2	SPACER, .39 x 1.00 x .75
6	5025165	8	WASHER, 3/8" Fender
7	5025013X22	2	BOLT, 3/8-16 x 2-3/4
8	5022912	2	DAMPENER
9	5025013X16	2	BOLT, 3/8-16 x 2
10	5045904	2	SPRING COMPRESSION PLATE
11	5045898	2	SPRING RETAINER
12	5061181	2	SPRING, Compression
13	5045601B	1	SPRING SADDLE-LH
14	5045602B	1	SPRING SADDLE-RH (Not Shown)
15	5045588B	2	WHEEL MOTOR MOUNT
16	5025018X24	4	BOLT, 1/2-20 x 3
17	5025018X20	4	BOLT, 1/2-20 x 2-1/2
18	5046059B	2	SPACER PLATE
19	5025017X52	2	BOLT, 1/2-13 x 6-1/2
20	5025017X60	2	BOLT, 1/2-13 x 7-1/2
21	5025098	8	NUT, 1/2-20 Hex Nylon Lock
22	5061178	4	CAST A-ARM
23	5025294	8	BOLT, Allen Head, 1/2-13 x 3

## Footnotes

---

### The above parts group applies to the following Mfg. Nos.:

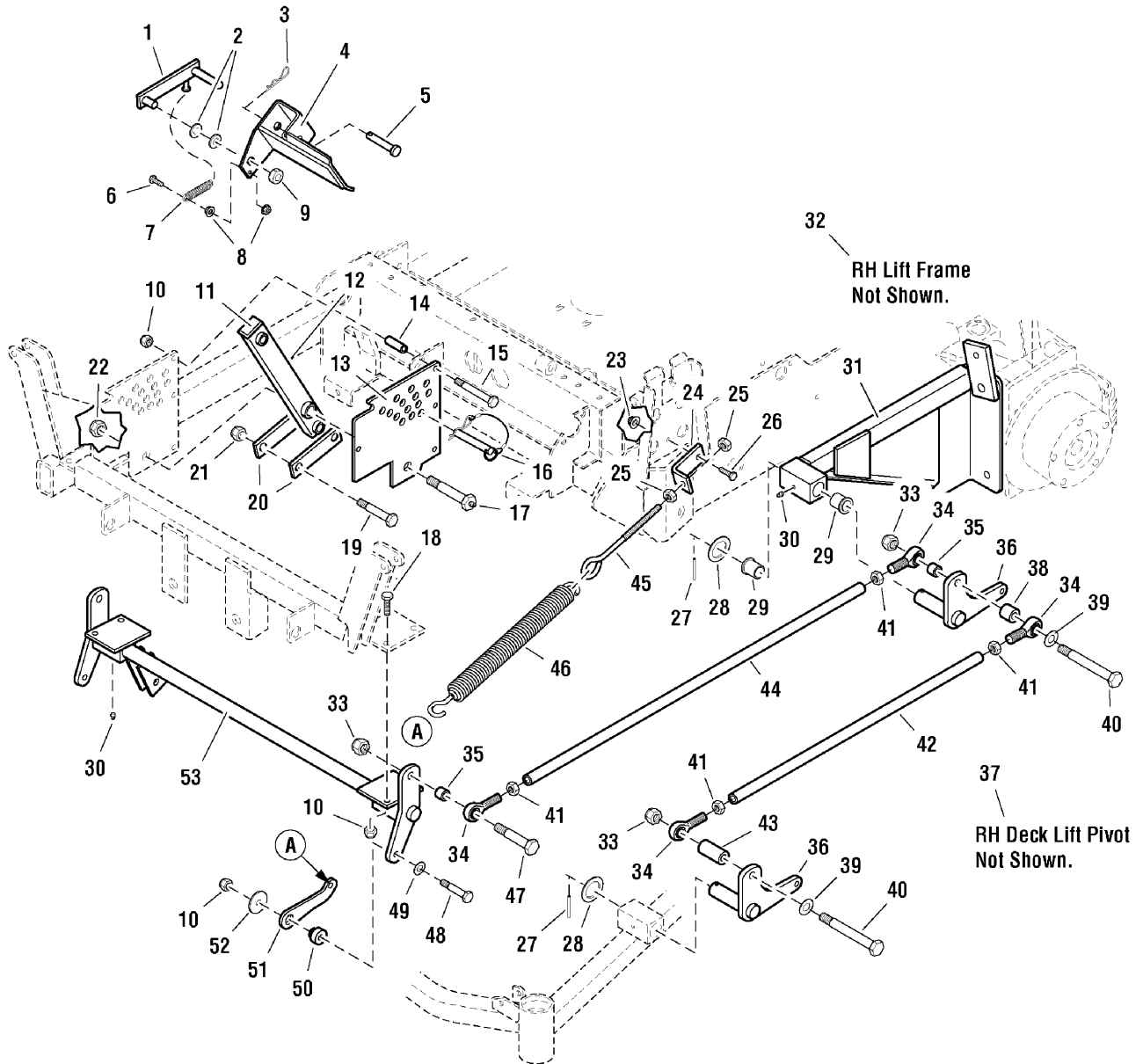
5901074 (S/N: 1226 & above) (IS5000Z/C3)

5901071 (S/N: 1226 & above) (IS5000Z/C3)

5901070 (S/N: 1226 & above) (IS5000Z/C3)

## Deck Lift Group

NOTE: Unless noted otherwise,  
use the standard hardware torque  
specification chart.



The above parts group applies to the following Mfg. Nos.:

5901074 (S/N: 1226 & above) (IS5000Z/C3)

5901071 (S/N: 1226 & above) (IS5000Z/C3)

5901070 (S/N: 1226 & above) (IS5000Z/C3)

## Deck Lift Group

REF NO.	PART NO.	QTY.	DESCRIPTION
1	5061232B	1	DECK LIFT LOCK
2	5025158	2	WASHER, 1/2" SAE
3	5025210	1	HAIRPIN CLIP
4	5045058B	1	DECK LIFT PEDAL
5	5022044	1	PIN, Clevis, 1/2 x 2-1/2
6	5025010X6	1	BOLT, 1/4-20 x 3/4
7	5020639	1	SPRING, Extension
8	5025126	2	NUT, 1/4-20 Hex Serrated Flange
9	5023241	1	COLLAR, Split, 1/2
10	5025096	10	NUT, 3/8-16 Hex Nylon Lock
11	5022097	1	CAP
12	5044987B	1	ARM, Deck Lift Pivot
13	5061307B	1	DECK HEIGHT PLATE
14	5044992	4	SPACER, .38 x .50 x 1.56
15	5025013X22	4	BOLT, 3/8-16 x 2-3/4
16	5023082	1	PIN, 1/2 x 3-1/2 w/ Lanyard
17	5044993	1	LIFT PIVOT BOLT
18	5025013X10	4	BOLT, 3/8-16 x 1-1/4
19	5025018X24	2	BOLT, 1/2-20 x 3
20	5044994B	2	DECK LIFT LINK
21	5025098	2	NUT, 1/2-20 Hex Nylon Lock
22	5025282	1	NUT, 5/8-11 Hex Jam Nylon Lock
23	5025392	2	NUT, 5/16-18 Hex Nylock Flange
24	5061355B	2	EYEBOLT ANCHOR
25	5025034	4	NUT, 3/8-16 Hex
26	5025011X8	2	BOLT, 5/16-18 x 1
27	5025516	4	PIN, Roll, 3/16 x 1-1/2
28	5021253	4	SHIM
29	5023343	4	BUSHING, Flange
30	5020095	6	GREASE FITTING
31	5061354	1	LIFT FRAME ASSEMBLY - LH, Complete (Includes Ref No. 27)
32	5061353	1	LIFT FRAME ASSEMBLY - RH, Complete (Includes Ref No. 27, Not Shown)
33	5025056	6	NUT, 1/2-13 Hex Nylon Lock
34	5022434	8	BALL JOINT, 1/2-20 Male
35	5047027	4	SPACER, .51 X .75 X .56
36	5061358B	2	DECK LIFT PIVOT - LH
37	5061357B	2	DECK LIFT PIVOT - RH (Not Shown)
38	5049777	2	SPACER, .52 x 1.00 x 1.00
39	5025158	4	WASHER, 1/2" SAE
40	5025017X32	4	BOLT, 1/2-13 x 4
41	-	8	NUT, 1/2-20 Hex

## Footnotes

---

### The above parts group applies to the following Mfg. Nos.:

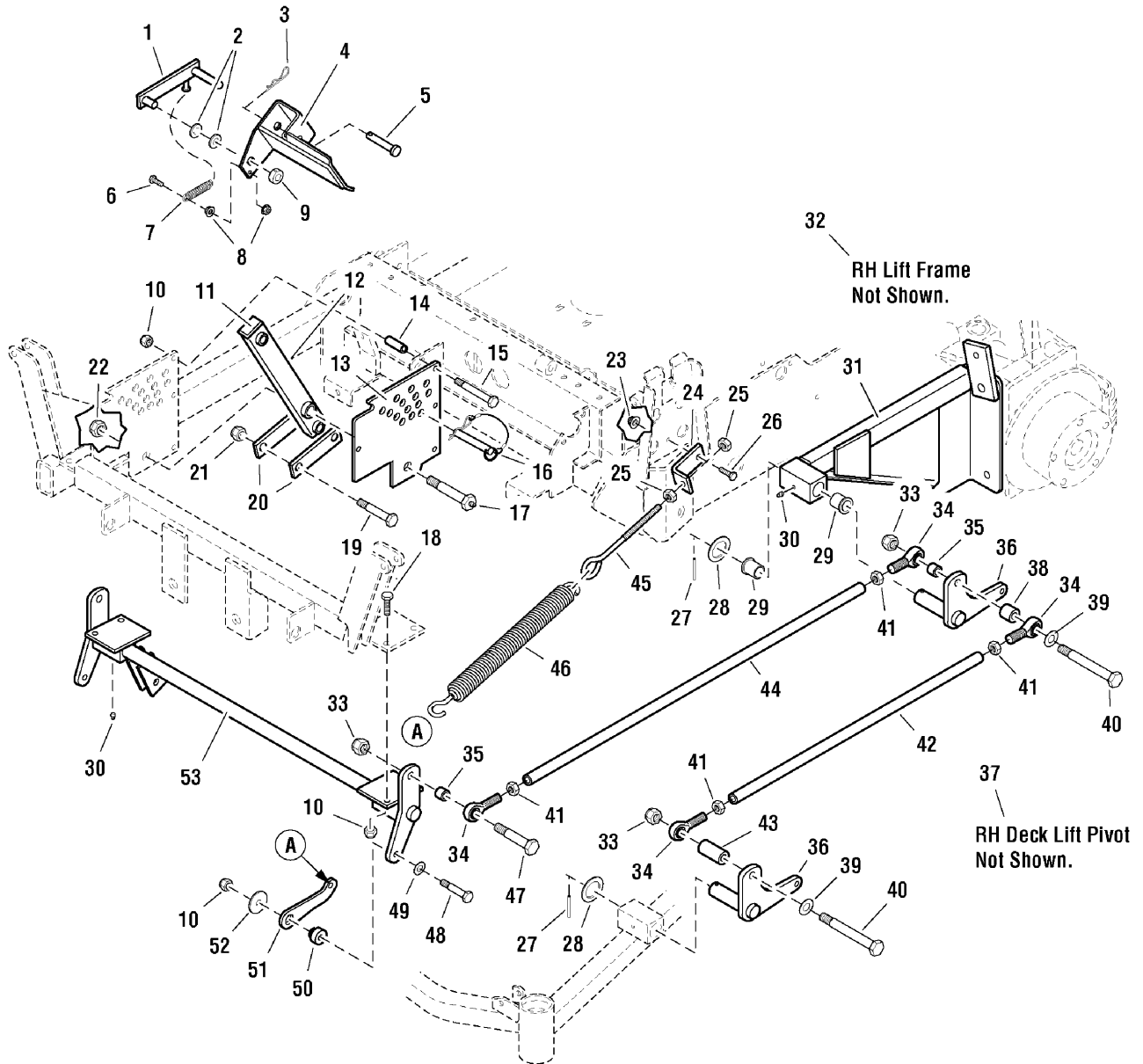
5901074 (S/N: 1226 & above) (IS5000Z/C3)

5901071 (S/N: 1226 & above) (IS5000Z/C3)

5901070 (S/N: 1226 & above) (IS5000Z/C3)

## Deck Lift Group

NOTE: Unless noted otherwise,  
use the standard hardware torque  
specification chart.



The above parts group applies to the following Mfg. Nos.:

5901074 (S/N: 1226 & above) (IS5000Z/C3)

5901071 (S/N: 1226 & above) (IS5000Z/C3)

5901070 (S/N: 1226 & above) (IS5000Z/C3)

## Deck Lift Group

REF NO.	PART NO.	QTY.	DESCRIPTION
42	5061350	2	DECK LIFT ROD - OUTER
43	5043607	2	SPACER, .50 x 1.00 x 2.00
44	5061349	2	DECK LIFT ROD - INNER
45	5021811	2	EYEBOLT, 3/8" x 8"
46	5023392	2	DECK LIFT SPRING
47	25017-18	2	BOLT, 1/2-13 x 2-1/4
48	5025013X16	2	BOLT, 3/8-16 x 2
49	5025156	2	WASHER, 3/8" SAE
50	5061227	2	DECK PIVOT BUSHING
51	5061224B	2	SPRING LINK
52	5025326	2	WASHER, 3/8 x 2
53	5061348B	1	DECK LIFT SHAFT & MOUNT ASSEMBLY

## Footnotes

---

### The above parts group applies to the following Mfg. Nos.:

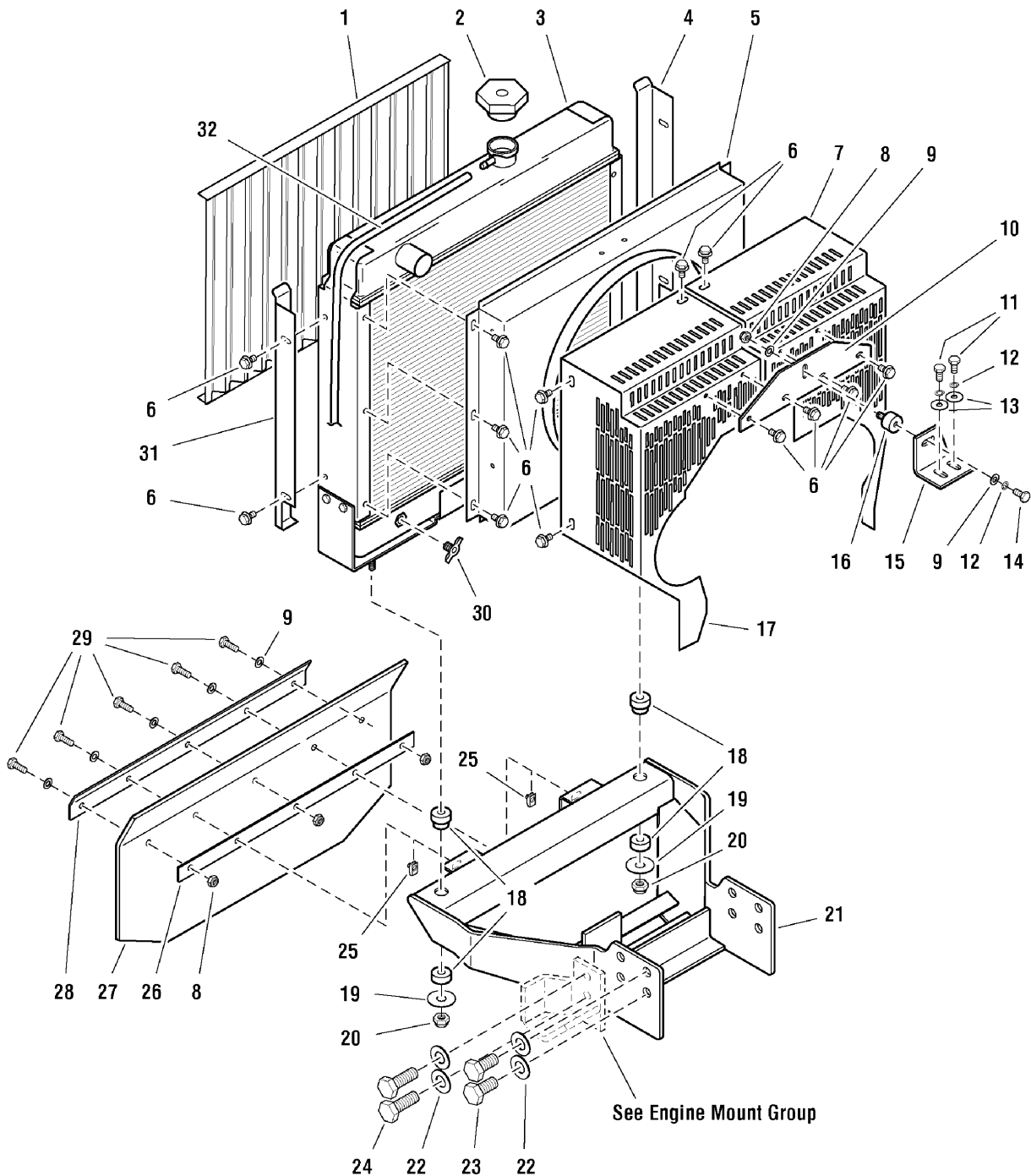
5901074 (S/N: 1226 & above) (IS5000Z/C3)

5901071 (S/N: 1226 & above) (IS5000Z/C3)

5901070 (S/N: 1226 & above) (IS5000Z/C3)

## Radiator Mount & Service Parts Group

NOTE: Unless noted otherwise,  
use the standard hardware torque  
specification chart.



The above parts group applies to the following Mfg. Nos.:

5901074 (S/N: 1226 & above) (IS5000Z/C3)

5901071 (S/N: 1226 & above) (IS5000Z/C3)

5901070 (S/N: 1226 & above) (IS5000Z/C3)



## Radiator Mount & Service Parts Group

REF NO.	PART NO.	QTY.	DESCRIPTION
1	5023129	1	SCREEN
2	5023150	1	PRESSURE CAP
3	5023127	1	RADIATOR
4	5048534B	1	SCREEN BRACKET-RH
5	5023128	1	FAN SHROUD
6	5023158	20	BOLT, Flange Head, 5/16-18 x 1/2
7	5023134	1	FINGER GUARD-RH
8	5025057	4	NUT, 5/16-18 Hex Nylon Lock
9	5025155	7	WASHER, 5/16" SAE
10	5048578B	1	RADIATOR MOUNT PLATE
11	5025249	2	BOLT, M8 x 20MM
12	5025170	3	WASHER, 5/16" Lock
13	5025337	2	WASHER, 5/16" USS
14	5025011X6	1	BOLT, 5/16-18 x 3/4
15	5048579B	1	RADIATOR MOUNT BRACKET
16	5023130	1	ISO-MOUNT, Top
17	5023135	1	FINGER GUARD-LH
18	5023131	2	ISO-MOUNT, Bottom (2 piece)
19	5025305	2	WASHER, 3/8 x 1-3/4
20	5025096	2	NUT, 3/8-16 Hex Nylon Lock
21	5048503B	1	RADIATOR MOUNT
22	25197	8	WASHER, 1/2" USS
23	5025383	4	BOLT, M14 x 25MM
24	5025382	4	BOLT, M14 x 35MM
25	5022308	2	BODY CLIP, 5/16-18
26	5048565B	1	RETAINING PLATE
27	5048563	1	LOWER SEAL
28	5048564B	1	RETAINING PLATE, Outer
29	5025011X8	5	BOLT, 5/16-18 x 1
30	5023151	1	PETCOCK VALVE
31	5048533B	1	SCREEN BRACKET-LH
32	5061419	1	OVERFLOW HOSE

### Footnotes

---

#### The above parts group applies to the following Mfg. Nos.:

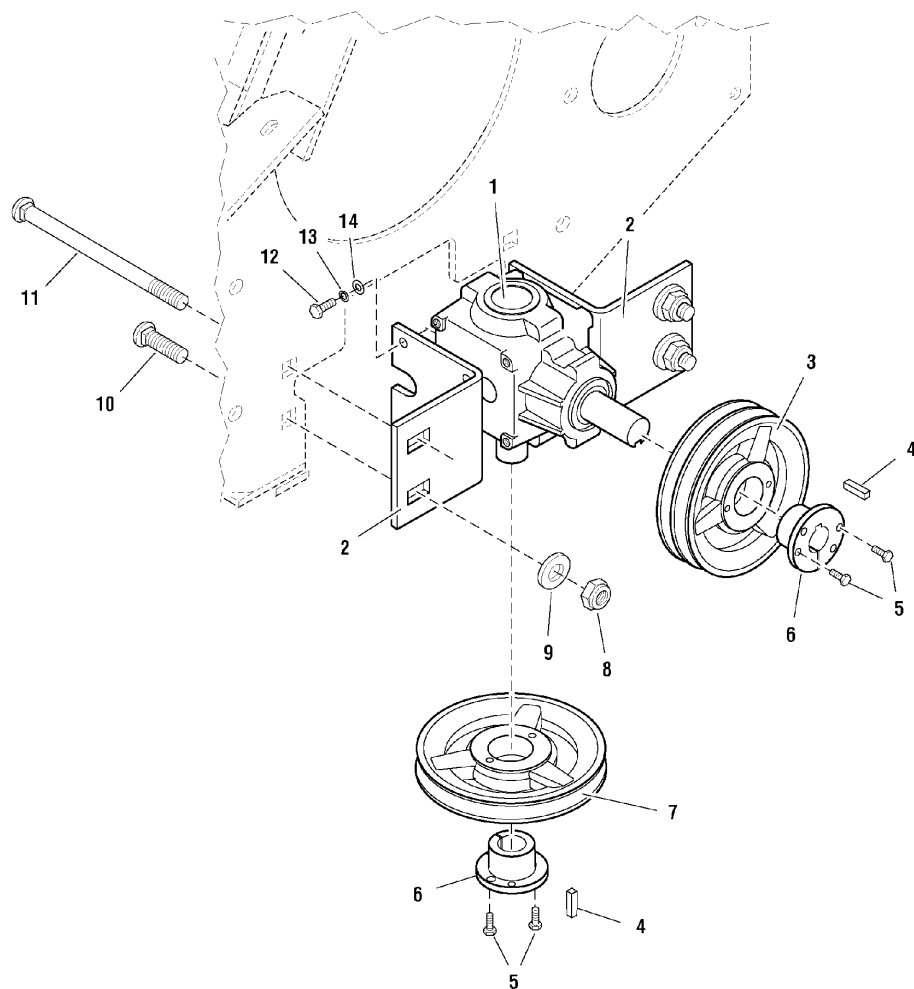
5901074 (S/N: 1226 & above) (IS5000Z/C3)

5901071 (S/N: 1226 & above) (IS5000Z/C3)

5901070 (S/N: 1226 & above) (IS5000Z/C3)

## Gearbox & Mount Group

NOTE: Unless noted otherwise,  
use the standard hardware torque  
specification chart.



The above parts group applies to the following Mfg. Nos.:

5901074 (S/N: 1226 & above) (IS5000Z/C3)

5901071 (S/N: 1226 & above) (IS5000Z/C3)

5901070 (S/N: 1226 & above) (IS5000Z/C3)

## **Gearbox & Mount Group**

<b>REF NO.</b>	<b>PART NO.</b>	<b>QTY.</b>	<b>DESCRIPTION</b>
1	5022378	1	GEARBOX
2	5046349B	2	GEARBOX MOUNT BRACKET
3	5022908	1	PULLEY, Gearbox Input
4	5100039	2	KEY, 1/4 SQ. X 1
5	5025010X8	4	BOLT, 1/4-20 x 1
6	5020819	2	BUSHING, Tapered Hub
7	5022794	1	PULLEY, Spindle
8	5025038	3	NUT, 1/2-13 Hex
9	5044913	3	WASHER, Frame Retaining
10	25324-16	3	CARRIAGE BOLT, 1/2-13 x 2
11	5025334	1	CARRIAGE BOLT, 1/2-13 x 7
12	5025011X8	8	BOLT, 5/16-18 x 1
13	5025170	8	WASHER, 5/16" Lock
14	5025155	8	WASHER, 5/16" SAE

## **Footnotes**

---

### **The above parts group applies to the following Mfg. Nos.:**

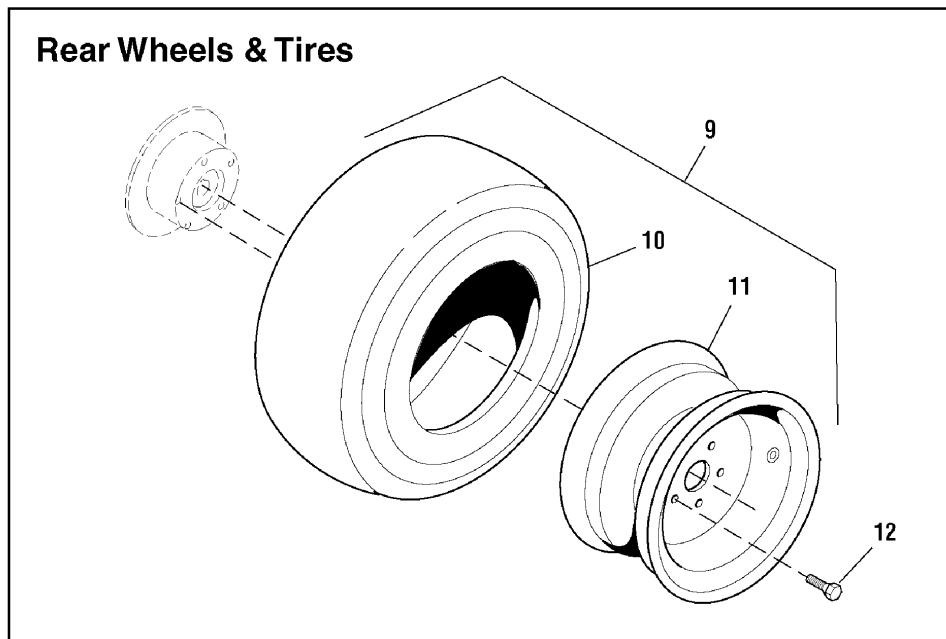
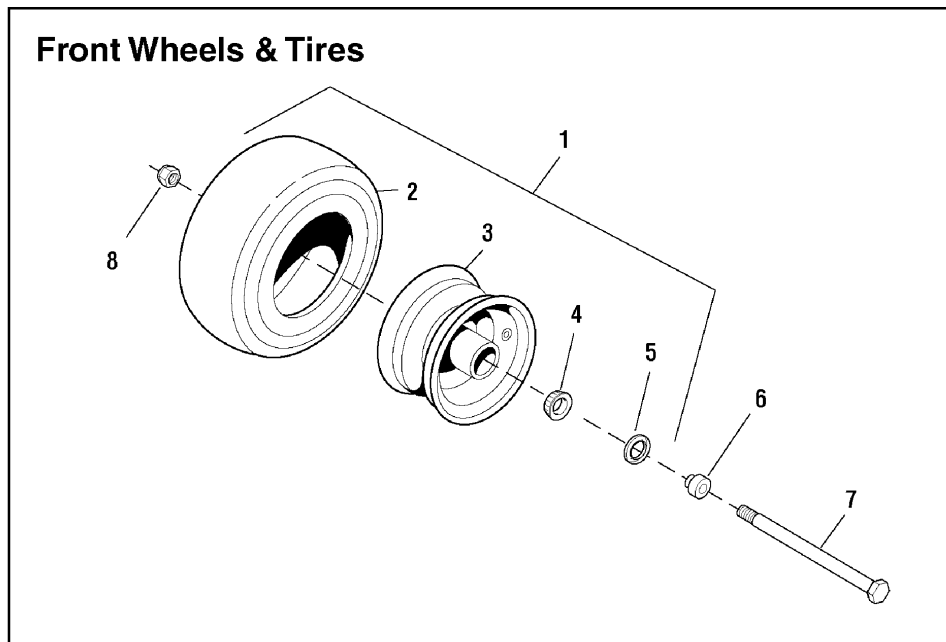
5901074 (S/N: 1226 & above) (IS5000Z/C3)

5901071 (S/N: 1226 & above) (IS5000Z/C3)

5901070 (S/N: 1226 & above) (IS5000Z/C3)

## Wheels & Tires Group

NOTE: Unless noted otherwise,  
use the standard hardware torque  
specification chart.



**The above parts group applies to the following Mfg. Nos.:**

5901074 (S/N: 1226 & above) (IS5000Z/C3)

5901071 (S/N: 1226 & above) (IS5000Z/C3)

5901070 (S/N: 1226 & above) (IS5000Z/C3)

## **Wheels & Tires Group**

<b>REF NO.</b>	<b>PART NO.</b>	<b>QTY.</b>	<b>DESCRIPTION</b>
1	5023136	2	WHEEL & TIRE ASSEMBLY, 13 x 6.5 x 6, Complete (Includes Ref No. 2 - 5)
2	5022577	2	TIRE, Front, 13 x 6.5 x 6
3	5023136X1	2	WHEEL ASSEMBLY, for 13 x 6.5 x 6 Tires, Complete (Includes Ref No. 4 & 5)
4	5022631SX2	4	BEARING, Taper Roller (2 per tire)
5	5022631SX3	4	GREASE SEAL (2 per tire)
6	5047103	4	ADAPTER, Caster Wheel (2 per tire)
7	5025017X72	2	BOLT, 1/2-13 x 9
8	5025056	2	NUT, 1/2-13 Hex Nylon Lock
9	5023363	2	WHEEL & TIRE ASSEMBLY, 26 x 12 x 12, Complete (Includes Ref No. 10 & 11)
10	5023152X1	2	TIRE, Rear, 26 x 12 x 12
11	5023364	2	WHEEL ASSEMBLY, 12 x 8.5
12	5022215	10	WHEEL LUG, 1/2 x 1-5/8

### **Footnotes**

---

#### **The above parts group applies to the following Mfg. Nos.:**

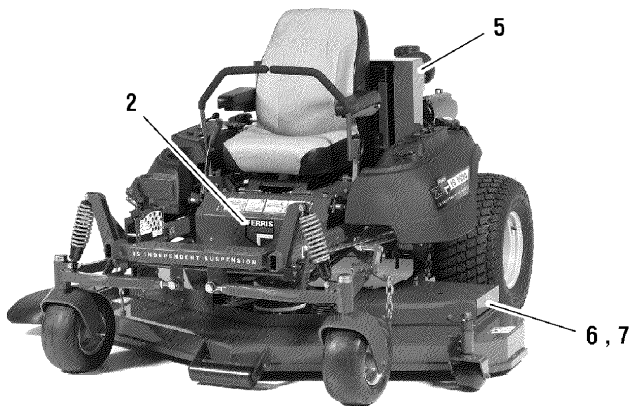
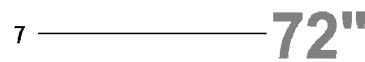
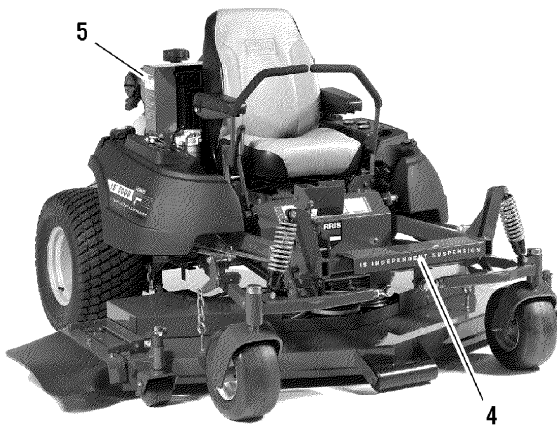
5901074 (S/N: 1226 & above) (IS5000Z/C3)

5901071 (S/N: 1226 & above) (IS5000Z/C3)

5901070 (S/N: 1226 & above) (IS5000Z/C3)

## Decals - Brand & Model

NOTE: Unless noted otherwise, use the standard hardware torque specification chart.



### The above parts group applies to the following Mfg. Nos.:

5901074 (S/N: 1226 & above) (IS5000Z/C3)

5901071 (S/N: 1226 & above) (IS5000Z/C3)

5901070 (S/N: 1226 & above) (IS5000Z/C3)

## **Decals - Brand & Model**

---

<b>REF NO.</b>	<b>PART NO.</b>	<b>QTY.</b>	<b>DESCRIPTION</b>
1	5022227	1	DECAL, Ferris Logo, 6-3/8"
2	5022556	1	DECAL, Ferris Logo, 5"
3	5022239	1	DECAL, First w/ Independent Suspension
4	5022555	1	DECAL, IS Independent Suspension
5	5022929	2	DECAL, CAT Diesel Power
6	5022813	1	DECAL, 61"
7	5022814	1	DECAL, 72"

## **Footnotes**

---

### **The above parts group applies to the following Mfg. Nos.:**

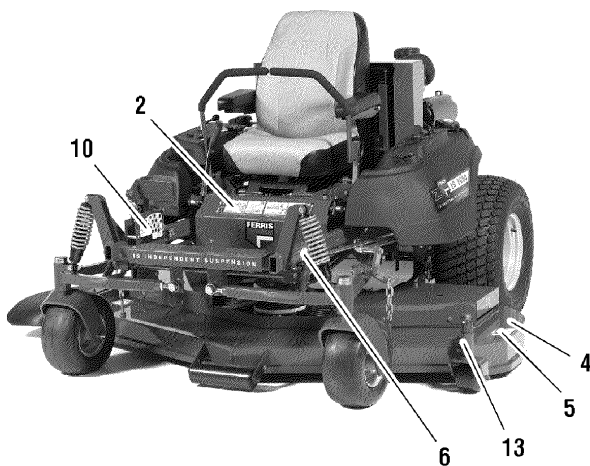
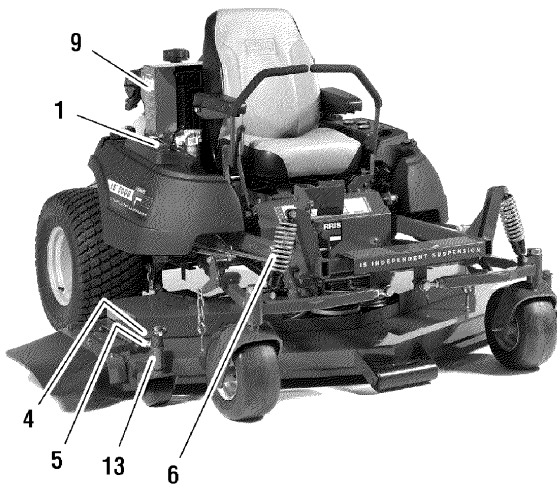
5901074 (S/N: 1226 & above) (IS5000Z/C3)

5901071 (S/N: 1226 & above) (IS5000Z/C3)

5901070 (S/N: 1226 & above) (IS5000Z/C3)

# Decals - Safety & Operation - CE Models

NOTE: Unless noted otherwise, use the standard hardware torque specification chart.



- 1
- 2
- 3
- 4
- 5
- 6
- 7
- 8
- 9
- 10
- 11
- 12 

PTO Clutch	Fuel Solenoid	Alternator	Ignition
20A	20A	20A	30A
- 13

The above parts group applies to the following Mfg. Nos.:

5901074 (S/N: 1226 & above) (IS5000Z/C3)

5901071 (S/N: 1226 & above) (IS5000Z/C3)



## **Decals - Safety & Operation - CE Models**

<b>REF NO.</b>	<b>PART NO.</b>	<b>QTY.</b>	<b>DESCRIPTION</b>
1	5049200	1	DECAL, Control Panel
2	5061108	1	DECAL, Main, CE
3	5061217	1	DECAL, Danger, Open Flame
4	5061042	3	DECAL, Warning, Hand In Belt (Two on deck, one under rear belt guard)
5	1720389	2	DECAL, Warning, Mower
6	5061246	2	DECAL, Pinch Point, CE
7	1725941	1	DECAL, CZT Hydro Release
8	1704473	1	DECAL, Hot Surface
9	5047696	1	DECAL, Priming Instructions
10	5022063	1	DECAL, Deck Height
11	5045923	1	DECAL, Oil Reservoir
12	5047554	1	DECAL, Fuse Location
13	5021036	2	DECAL, Grease Daily

### **Footnotes**

---

#### **The above parts group applies to the following Mfg. Nos.:**

5901074 (S/N: 1226 & above) (IS5000Z/C3)

5901071 (S/N: 1226 & above) (IS5000Z/C3)



## **Decals - Safety & Operation - North American Models**

<b>REF NO.</b>	<b>PART NO.</b>	<b>QTY.</b>	<b>DESCRIPTION</b>
1	5049200	1	DECAL, Control Panel
2	5061106	1	DECAL, Main
3	5049658	1	DECAL, Danger
4	5020337	2	DECAL, Warning
5	5061245	2	DECAL, Pinch Point
6	1704277	1	DECAL, Danger (Chute In Place)
7	1704276	1	DECAL, Danger (Hand Under Deck)
8	5047696	1	DECAL, Priming Instructions
9	5022063	1	DECAL, Deck Height
10	5045923	1	DECAL, Oil Reservoir
11	5047554	1	DECAL, Fuse Location
12	5021036	2	DECAL, Grease Daily

### **Footnotes**

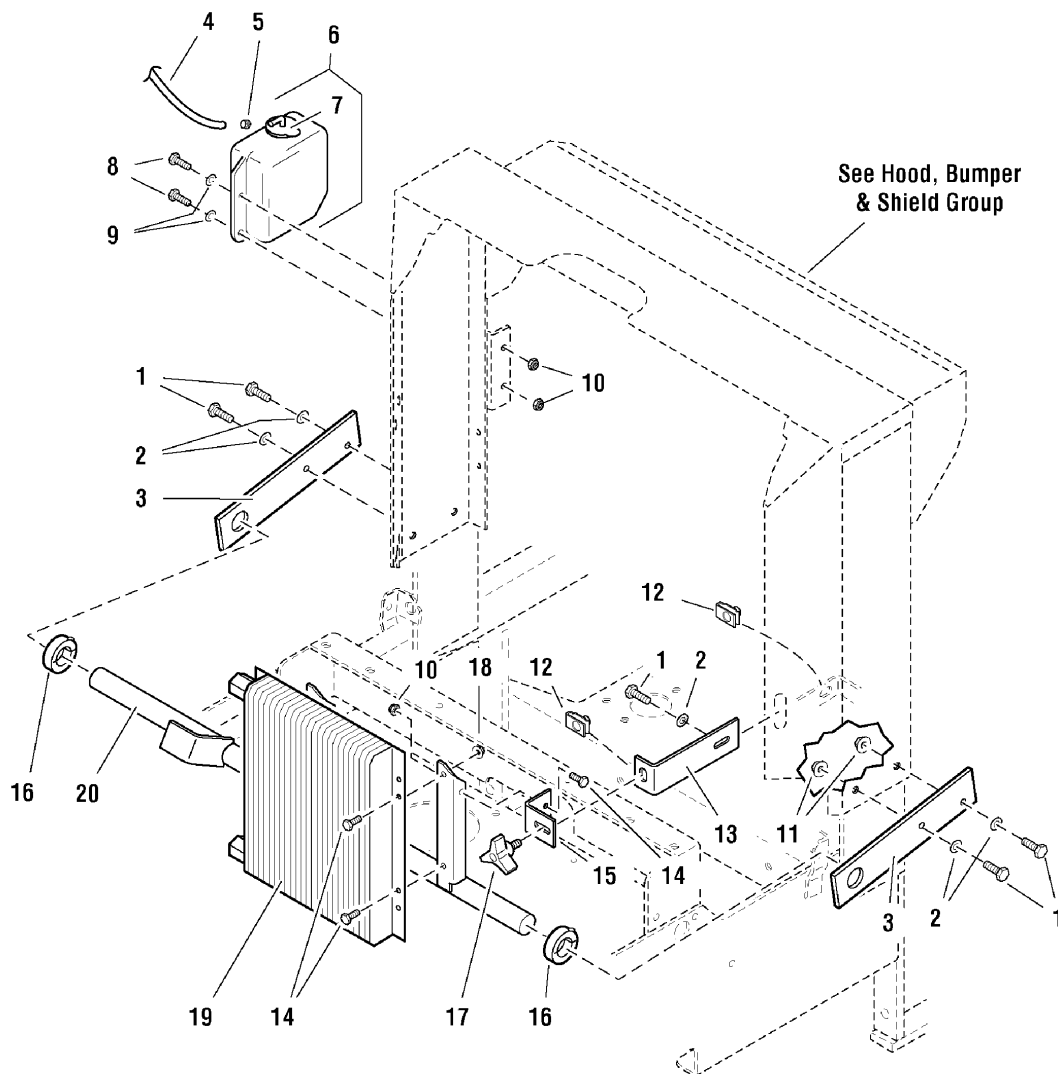
---

**The above parts group applies to the following Mfg. Nos.:**

5901070 (S/N: 1226 & above) (IS5000Z/C3)

## Oil Cooler, Mount & Radiator Expansion Tank Group

NOTE: Unless noted otherwise,  
use the standard hardware torque  
specification chart.



The above parts group applies to the following Mfg. Nos.:

5901074 (S/N: 1226 & above) (IS5000Z/C3)

5901071 (S/N: 1226 & above) (IS5000Z/C3)

5901070 (S/N: 1226 & above) (IS5000Z/C3)

## Oil Cooler, Mount & Radiator Expansion Tank Group

REF NO.	PART NO.	QTY.	DESCRIPTION
1	5025011X8	5	BOLT, 5/16-18 x 1
2	5025155	5	WASHER, 5/16" SAE
3	5048577B	2	OIL COOLER PIVOT PLATE
4	48582	1	OVERFLOW HOSE
5	5020835	1	CLAMP, Hose
6	5022883X34	1	EXPANSION TANK, Complete (Includes Ref No. 7)
7	5022883X35	1	CAP
8	5025010X8	2	BOLT, 1/4-20 x 1
9	5025154	2	WASHER, 1/4" SAE
10	5025095	3	NUT, 1/4-20 Hex Nylon Lock
11	5025139	4	NUT, 5/16-18 Hex Large Serrated Flange
12	5022308	2	BODY CLIP, 5/16-18
13	5048580B	1	COOLER PIVOT ANCHOR
14	5025299X4	5	SCREW, Allen Head, 1/4-20 x 1/2
15	5048581B	1	COOLER LOCK BRACKET
16	5020602	2	COLLAR, 1" Split
17	5022319	1	KNOB
18	5025126	4	NUT, 1/4-20 Hex Serrated Flange
19	5022377	1	OIL COOLER
20	5048562B	1	OIL COOLER MOUNT

### Footnotes

---

#### The above parts group applies to the following Mfg. Nos.:

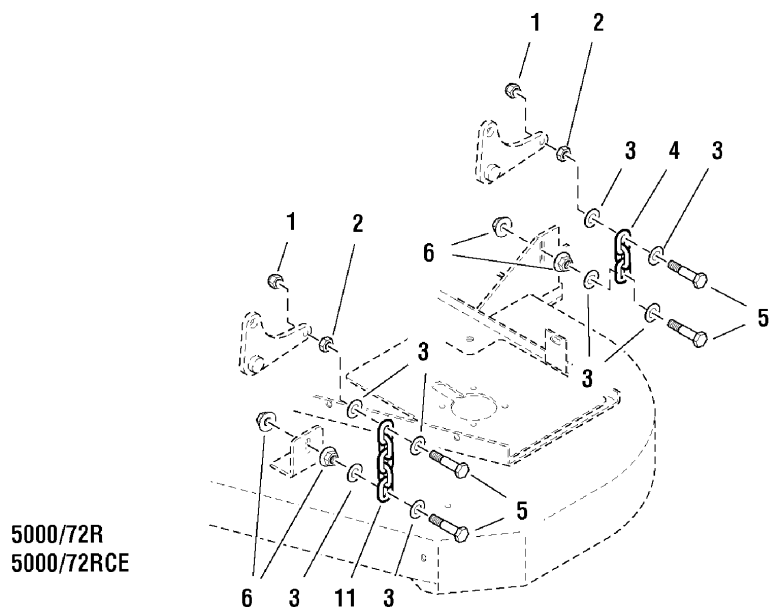
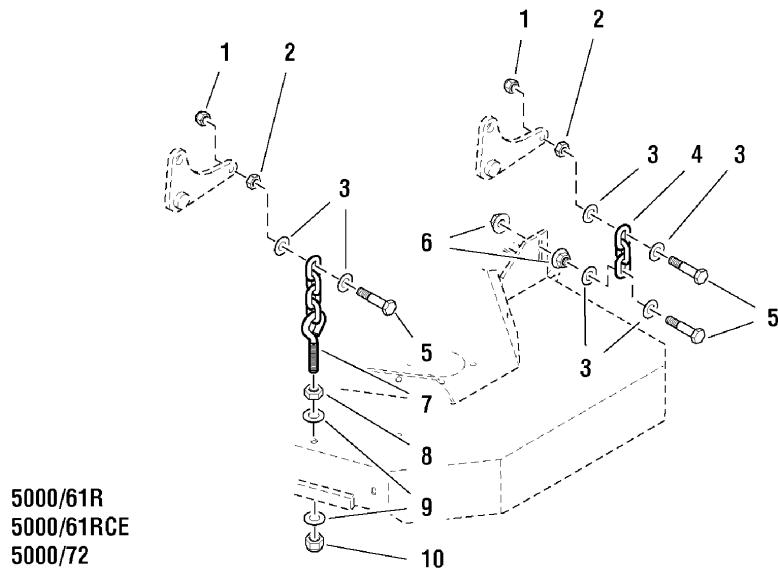
5901074 (S/N: 1226 & above) (IS5000Z/C3)

5901071 (S/N: 1226 & above) (IS5000Z/C3)

5901070 (S/N: 1226 & above) (IS5000Z/C3)

## 61" & 72" Mower Decks - Hanger Chains

NOTE: Unless noted otherwise,  
use the standard hardware torque  
specification chart.



The above parts group applies to the following Mfg. Nos.:

- 5900203 (S/N: 1210 & above) (5000/72)
- 5900204 (S/N: 1210 & above) (5000/72R)
- 5900205 (S/N: 1210 & above) (5000/72RC)
- 5900201 (S/N: 1210 & above) (5000/61R)
- 5900202 (S/N: 1210 & above) (5000/61RC)

## 61" & 72" Mower Decks - Hanger Chains

REF NO.	PART NO.	QTY.	DESCRIPTION
1	5025096	4	NUT, 3/8-16 Hex Nylon Lock
2	5025084	4	NUT, 3/8-16 Hex Jam
3	5025156	12	WASHER, 3/8" SAE
4	5050878X3	2	CHAIN, 3 LINKS
5	5025013X14	6	BOLT, 3/8-16 x 1-3/4
6	5025128	4	NUT, 3/8-16 Hex Serrated Flange
7	5045026	2	FRONT DECK HANGER
8	5025038	2	NUT, 1/2-13 Hex
9	5025158	4	WASHER, 1/2" SAE
10	5025056	2	NUT, 1/2-13 Hex Nylon Lock
11	5050878X5	2	CHAIN, 5 LINKS

### Footnotes

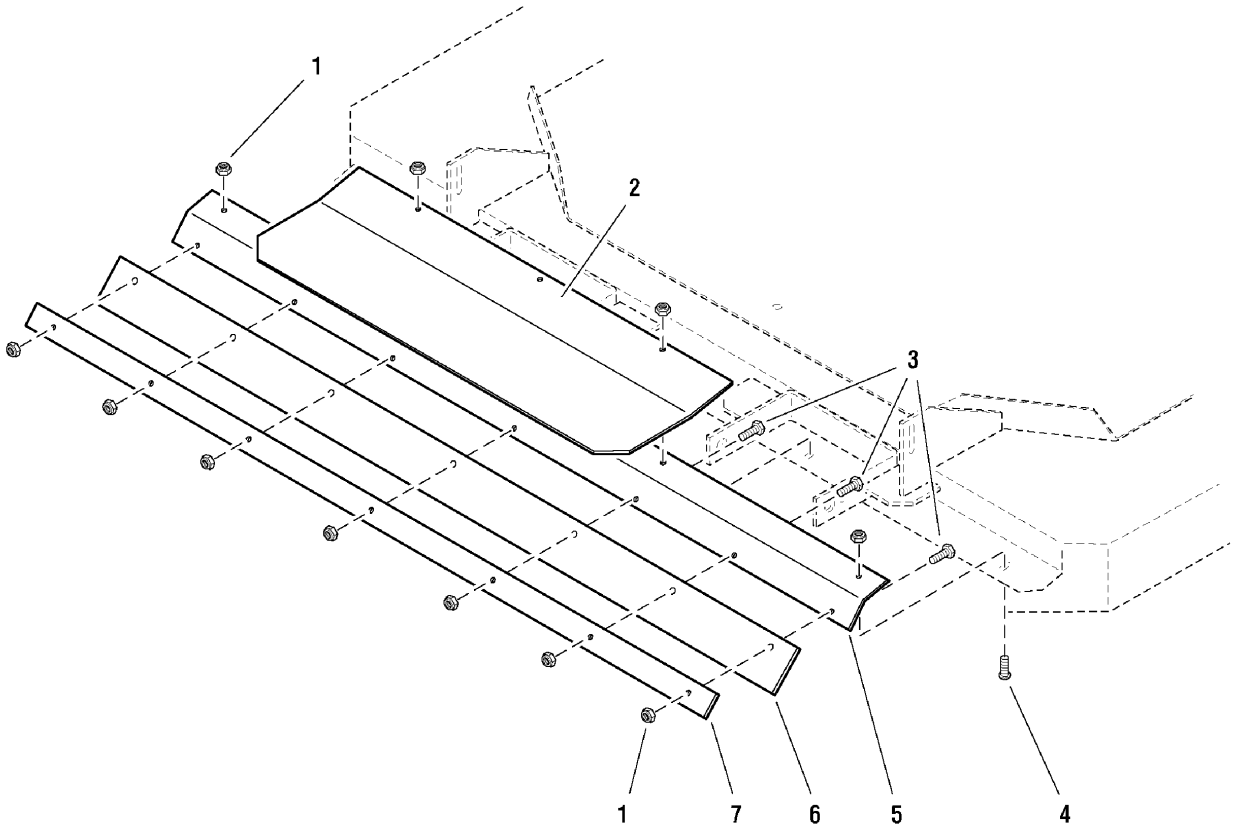
---

**The above parts group applies to the following Mfg. Nos.:**

5900203 (S/N: 1210 & above) (5000/72)  
5900204 (S/N: 1210 & above) (5000/72R)  
5900205 (S/N: 1210 & above) (5000/72RC)  
5900201 (S/N: 1210 & above) (5000/61R)  
5900202 (S/N: 1210 & above) (5000/61RC)

## 61" Mower Deck - Deflector & Shield

NOTE: Unless noted otherwise,  
use the standard hardware torque  
specification chart.



The above parts group applies to the following Mfg. Nos.:

5900201 (S/N: 1210 & above) (5000/61R)

5900202 (S/N: 1210 & above) (5000/61RC)



## 61" Mower Deck - Deflector & Shield

---

REF NO.	PART NO.	QTY.	DESCRIPTION
1	5025057	11	NUT, 5/16-18 Hex Nylon Lock
2	5048418B	1	SHIELD
3	5025011X8	7	BOLT, 5/16-18 x 1
4	5025145X8	4	CARRIAGE BOLT, 5/16-18 x 1
5	5048244B	1	DEFECTOR MOUNT
6	5048243	1	RUBBER DEFLECTOR
7	5048245B	1	RETAINING PLATE

### Footnotes

---

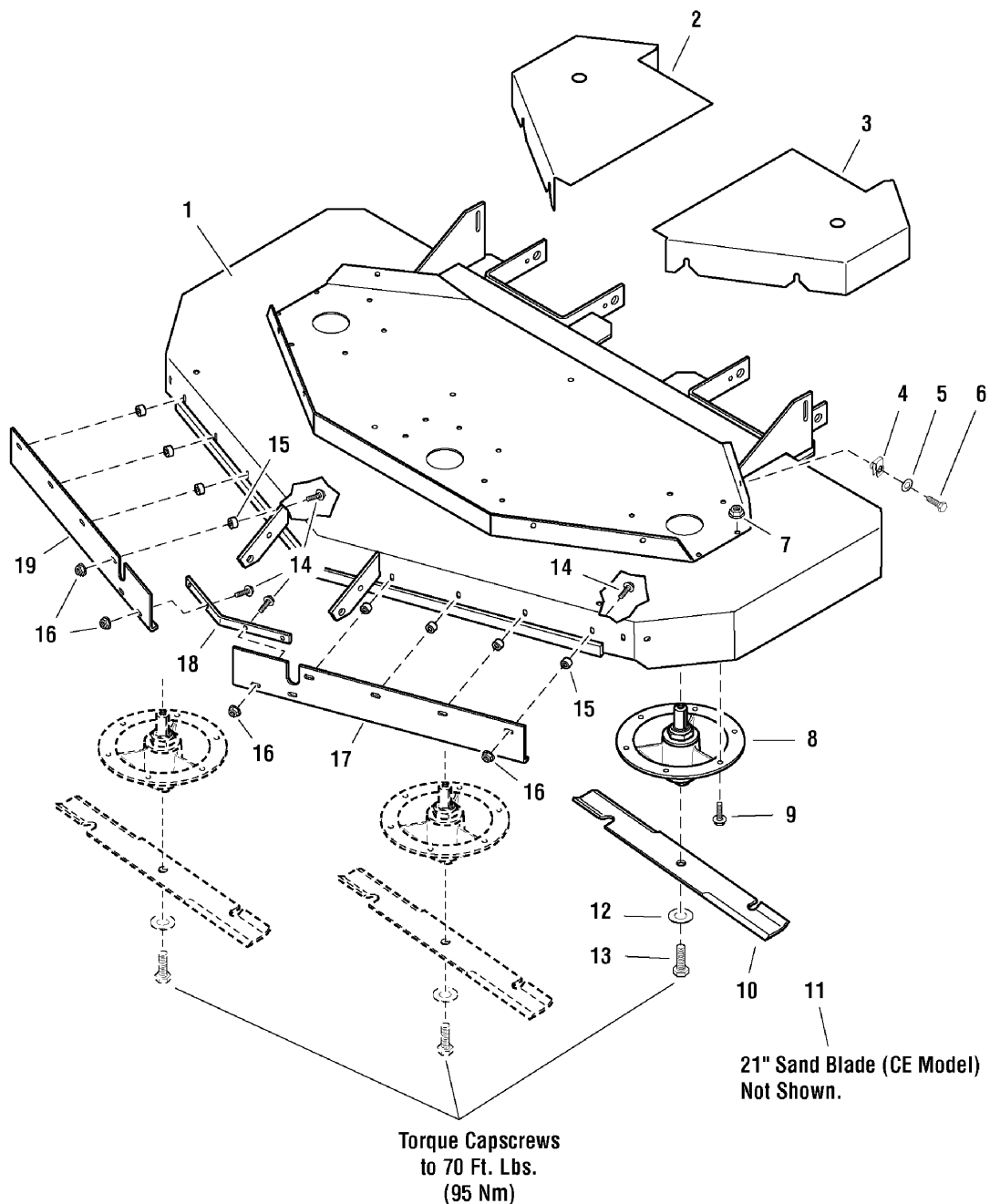
#### The above parts group applies to the following Mfg. Nos.:

5900201 (S/N: 1210 & above) (5000/61R)

5900202 (S/N: 1210 & above) (5000/61RC)

## 61" Mower Deck - Housing, Covers, Spindles & Blades

NOTE: Unless noted otherwise,  
use the standard hardware torque  
specification chart.



The above parts group applies to the following Mfg. Nos.:

5900201 (S/N: 1210 & above) (5000/61R)

5900202 (S/N: 1210 & above) (5000/61RC)

## 61" Mower Deck - Housing, Covers, Spindles & Blades

REF NO.	PART NO.	QTY.	DESCRIPTION
1	5300066	1	ASSM, MOWER DECK 61" REAR DISCHARGE (Includes safety decals.)
2	5061157B	1	DECK SHIELD - RH
3	5061156B	1	DECK SHIELD - LH
4	5022308	6	BODY CLIP, 5/16-18
5	5025155	6	WASHER, 5/16" SAE
6	5025011X6	6	BOLT, 5/16-18 x 3/4
7	5025394	18	NUT, 3/8-16 Hex Nylock Flange
8	5049438	3	SPINDLE ASSEMBLY, Complete
9	5025390X10	18	BOLT, Flange Head, 3/8-16 x 1-1/4
10	5020842	3	MOWER BLADE, 21"
11	5023272	3	MOWER BLADE, SAND, 21" (Applies to CE model only)
12	5025159	3	WASHER, 5/8" USS
13	5025320X14	3	BOLT, 5/8-11 x 1-3/4
14	5023156	12	BOLT, Flange Head, 5/16-18 x 1-1/4 (Applies to CE model only)
15	5047408	8	SPACER, .39 x .75 x .50 (Applies to CE model only)
16	5025392	12	NUT, 5/16-18 Hex Nylock Flange (Applies to CE model only)
17	5061412B	1	BLOWOUT BAFFLE - LH (Applies to CE model only)
18	5061413B	1	BAFFLE REINFORCEMENT (Applies to CE model only)
19	5061411B	1	BLOWOUT BAFFLE - RH (Applies to CE model only)

### Footnotes

---

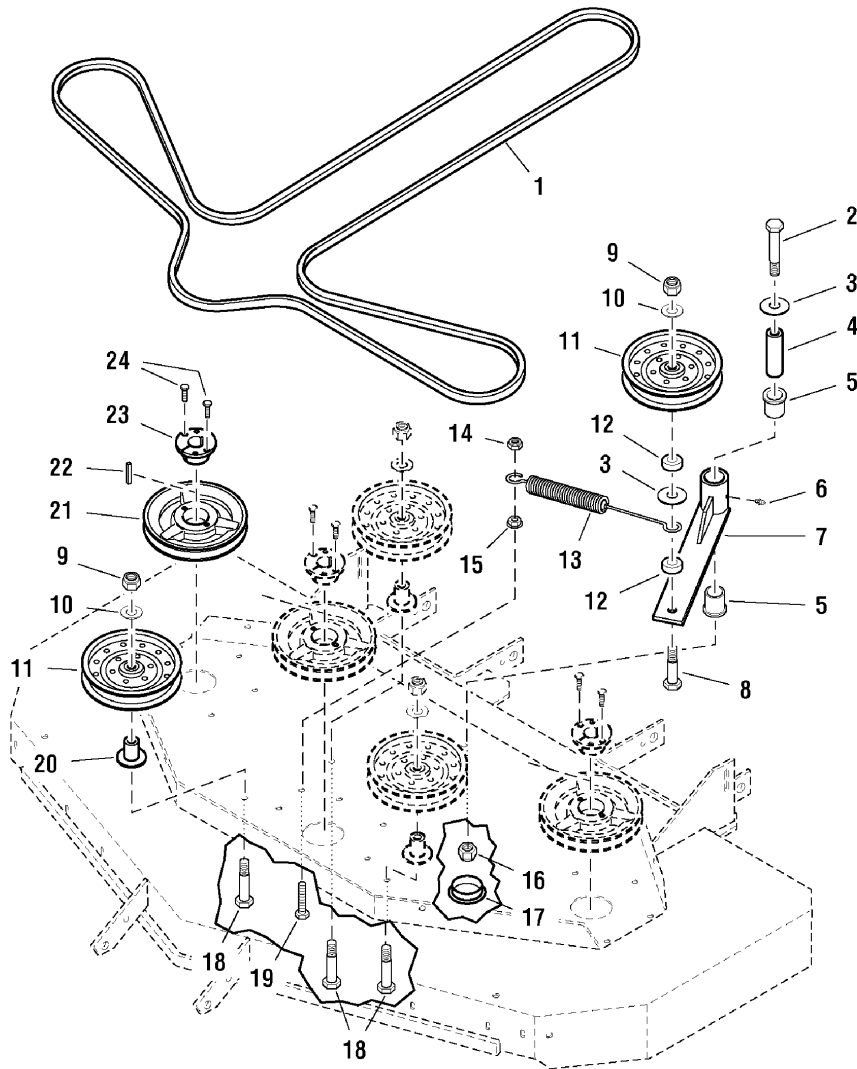
#### The above parts group applies to the following Mfg. Nos.:

5900201 (S/N: 1210 & above) (5000/61R)

5900202 (S/N: 1210 & above) (5000/61RC)

## 61" Mower Deck - Pulleys, Belt & Idler Arm

NOTE: Unless noted otherwise,  
use the standard hardware torque  
specification chart.



The above parts group applies to the following Mfg. Nos.:

5900201 (S/N: 1210 & above) (5000/61R)

5900202 (S/N: 1210 & above) (5000/61RC)

## 61" Mower Deck - Pulleys, Belt & Idler Arm

REF NO.	PART NO.	QTY.	DESCRIPTION
1	5023123	1	BELT
2	5025017X36	1	BOLT, 1/2-13 x 4-1/2
3	5025150	2	WASHER, 1/2" USS
4	5045022	1	SPACER, .52 x 1.00 x 3.50
5	5021541	2	BUSHING, Flange
6	5020095	1	GREASE FITTING
7	5045019B	1	IDLER ARM
8	5025018X24	1	BOLT, 1/2-20 x 3
9	5025098	2	NUT, 1/2-20 Hex Nylon Lock
10	5025158	4	WASHER, 1/2" SAE
11	5021976	4	PULLEY, Idler
12	5045023	2	SPACER, .52 x 1.00 x .44
13	5023340	1	SPRING, Extension, Swivel End
14	5025096	1	NUT, 3/8-16 Hex Nylon Lock
15	5025128	1	NUT, 3/8-16 Hex Serrated Flange
16	5025056	1	NUT, 1/2-13 Hex Nylon Lock
17	5022800	1	HOLE PLUG
18	5025018X28	3	BOLT, 1/2-20 x 3-1/2
19	5025058X14	1	BOLT, 3/8-16 x 1-3/4 TFL
20	5045024B	3	IDLER PULLEY MOUNT
21	5020815	3	PULLEY, Spindle
22	5022726	3	KEY, 1/4 SQ. X 1-1/2
23	5020819	3	BUSHING, Tapered Hub
24	5025010X8	6	BOLT, 1/4-20 x 1

### Footnotes

---

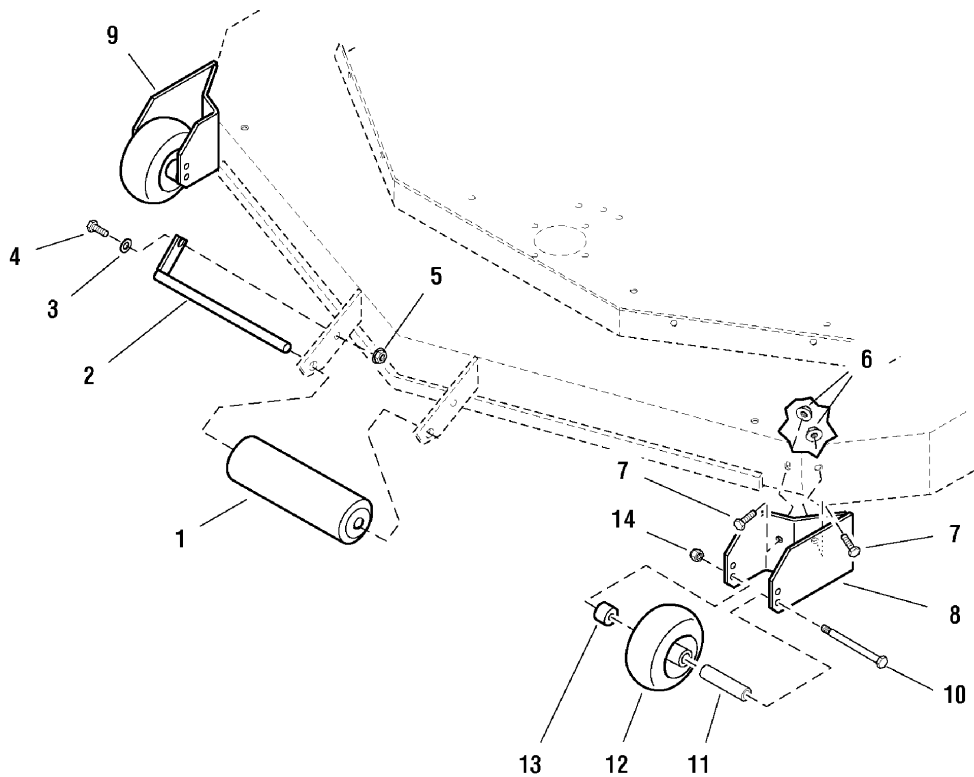
#### The above parts group applies to the following Mfg. Nos.:

5900201 (S/N: 1210 & above) (5000/61R)

5900202 (S/N: 1210 & above) (5000/61RC)

## 61" Mower Deck - Rollers & Casters

NOTE: Unless noted otherwise,  
use the standard hardware torque  
specification chart.



The above parts group applies to the following Mfg. Nos.:

5900201 (S/N: 1210 & above) (5000/61R)

5900202 (S/N: 1210 & above) (5000/61RC)

## 61" Mower Deck - Rollers & Casters

REF NO.	PART NO.	QTY.	DESCRIPTION
1	5020785	1	ROLLER
2	5041655B	1	PIN, Roller Mount
3	5025155	1	WASHER, 5/16" SAE
4	5025011X8	1	BOLT, 5/16-18 x 1
5	5025139	1	NUT, 5/16-18 Hex Large Serrated Flange
6	5025128	4	NUT, 3/8-16 Hex Serrated Flange
7	5025013X8	4	BOLT, 3/8-16 x 1
8	5048537B	1	CASTER MOUNT-LH
9	5048536B	1	CASTER MOUNT-RH
10	5025013X36	2	BOLT, 3/8-16 x 4-1/2
11	5045992	2	SPACER, .39 x .63 x 2.56
12	1716353	2	GAUGE WHEEL
13	5046446	2	SPACER, .39 x 1.00 x .79
14	5025096	2	NUT, 3/8-16 Hex Nylon Lock

### Footnotes

---

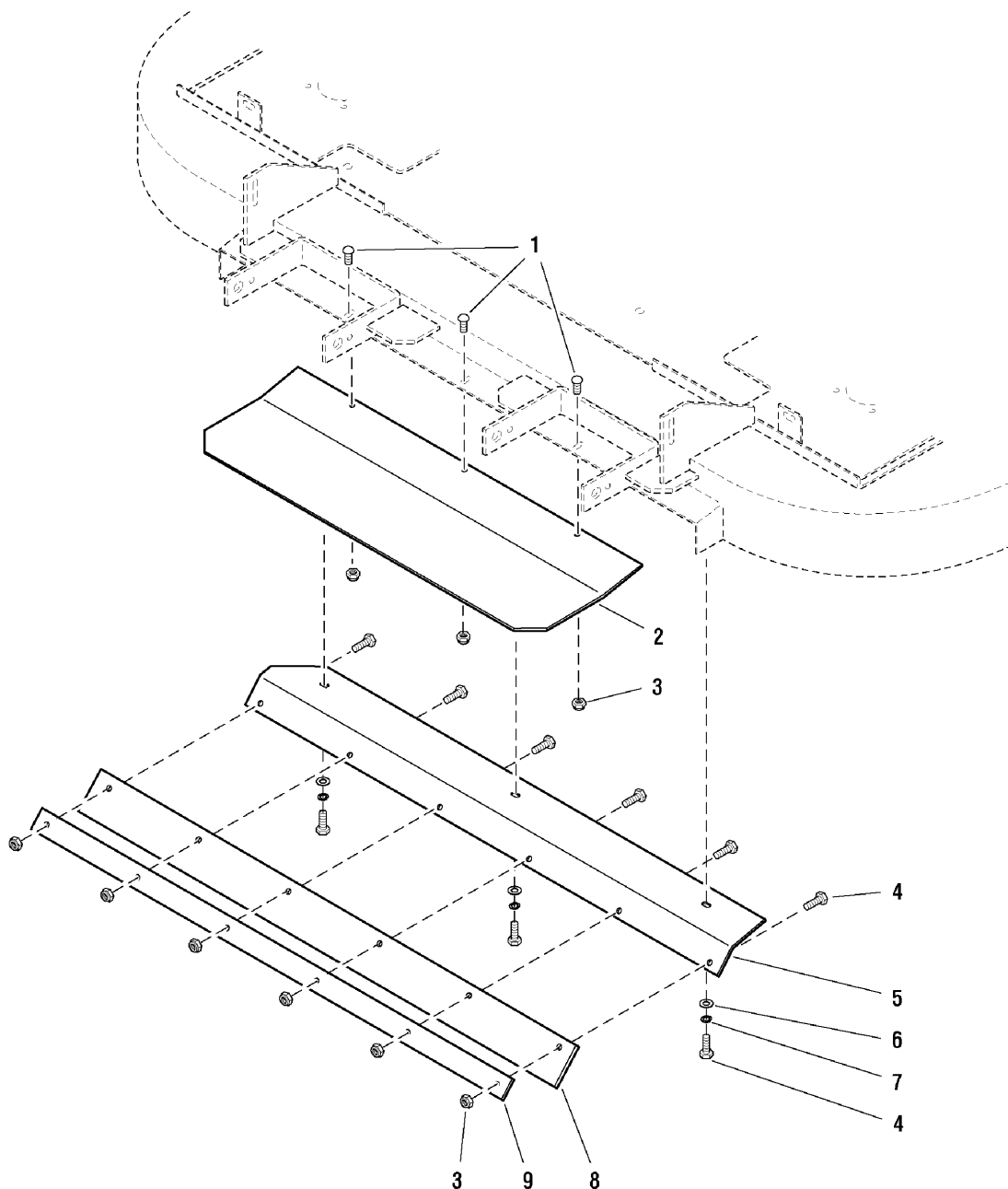
**The above parts group applies to the following Mfg. Nos.:**

5900201 (S/N: 1210 & above) (5000/61R)

5900202 (S/N: 1210 & above) (5000/61RC)

## 72" Mower Deck - Deflector & Shield - Rear Discharge

NOTE: Unless noted otherwise,  
use the standard hardware torque  
specification chart.



**The above parts group applies to the following Mfg. Nos.:**

5900204 (S/N: 1210 & above) (5000/72R)

5900205 (S/N: 1210 & above) (5000/72RC)



## **72" Mower Deck - Deflector & Shield - Rear Discharge**

<b>REF NO.</b>	<b>PART NO.</b>	<b>QTY.</b>	<b>DESCRIPTION</b>
1	5025145X6	3	CARRIAGE BOLT, 5/16-18 x 3/4
2	5048418B	1	SHIELD
3	5025057	9	NUT, 5/16-18 Hex Nylon Lock
4	5025011X8	9	BOLT, 5/16-18 x 1
5	5048469B	1	DEFLECTOR MOUNT
6	5025155	3	WASHER, 5/16" SAE
7	5025170	3	WASHER, 5/16" Lock
8	5048470	1	RUBBER DEFLECTOR
9	5048471B	1	RETAINING PLATE

### **Footnotes**

---

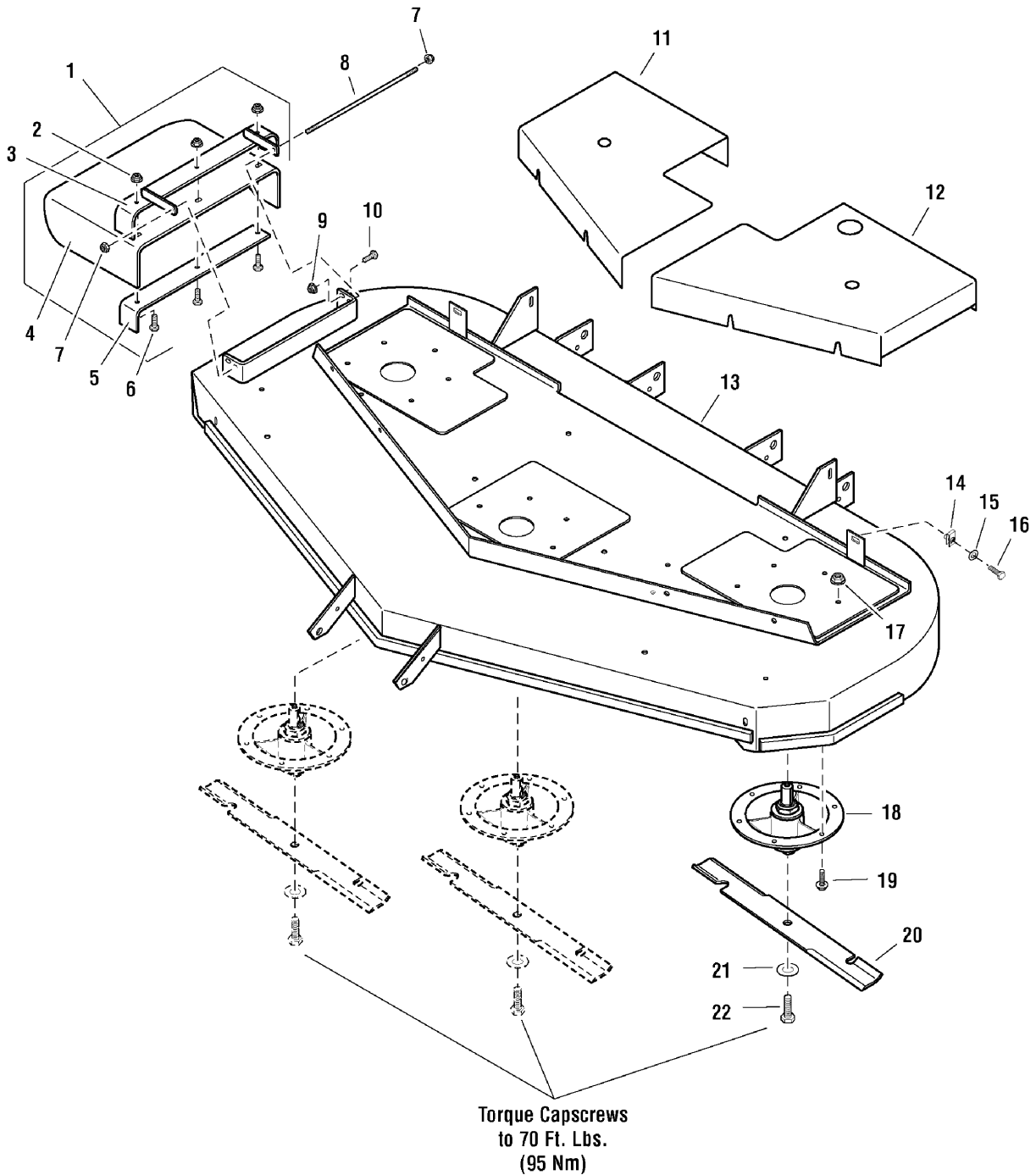
#### **The above parts group applies to the following Mfg. Nos.:**

5900204 (S/N: 1210 & above) (5000/72R)

5900205 (S/N: 1210 & above) (5000/72RC)

## 72" Mower Deck - Housing, Covers, Spindles & Blades

NOTE: Unless noted otherwise,  
use the standard hardware torque  
specification chart.



The above parts group applies to the following Mfg. Nos.:

5900203 (S/N: 1210 & above) (5000/72)

## 72" Mower Deck - Housing, Covers, Spindles & Blades

REF NO.	PART NO.	QTY.	DESCRIPTION
1	5061288	1	RUBBER CHUTE ASSEMBLY, Complete (Includes Ref No. 2 - 6)
2	5025394	3	NUT, 3/8-16 Hex Nylock Flange
3	5061293B	1	CHUTE FRAME
4	5402403	1	RUBBER CHUTE
5	5061290B	1	CHUTE SUPPORT
6	5025013X10	3	BOLT, 3/8-16 x 1-1/4
7	5025045	2	NUT, 5/16-24, Hex Nylon Lock
8	5061300	1	CHUTE MOUNT ROD
9	5025392	13	NUT, 5/16-18 Hex Nylock Flange
10	5025411	1	BOLT, Flange Head, 5/16-18 x 3/4
11	5061213B	1	SPINDLE COVER - RH
12	5061214B	1	SPINDLE COVER - LH
13	5300062	1	ASSM, MOWER DECK, 72" SIDE DISCHARGE (Includes safety decals.)
14	5022308	6	BODY CLIP, 5/16-18
15	5025155	6	WASHER, 5/16" SAE
16	5025011X6	6	BOLT, 5/16-18 x 3/4
17	5025394	18	NUT, 3/8-16 Hex Nylock Flange
18	5049438	3	SPINDLE ASSEMBLY, Complete
19	5025390X10	18	BOLT, Flange Head, 3/8-16 x 1-1/4
20	5022476	3	MOWER BLADE, 25"
21	5025159	3	WASHER, 5/8" USS
22	5025320X14	3	BOLT, 5/8-11 x 1-3/4

### Footnotes

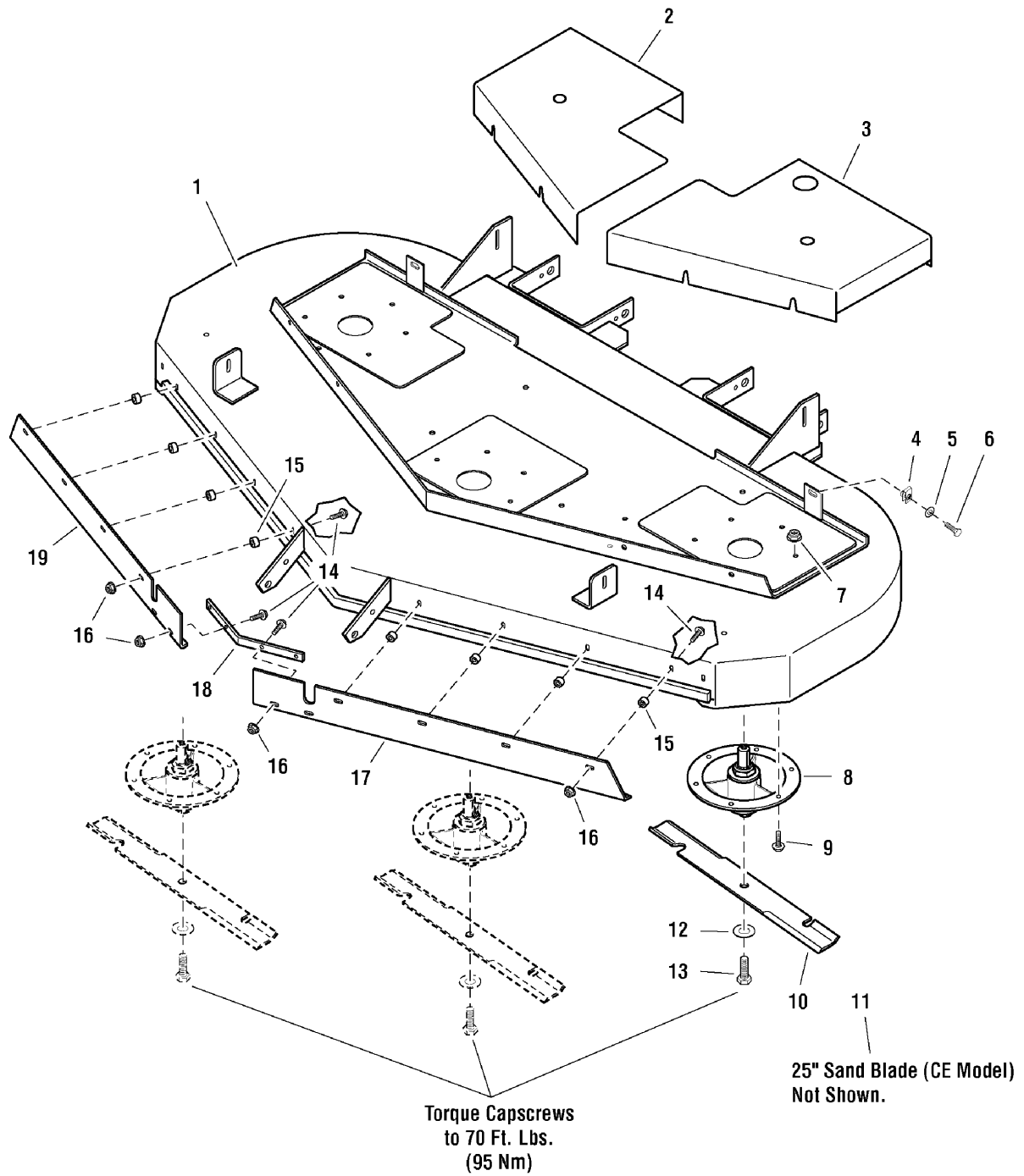
---

**The above parts group applies to the following Mfg. Nos.:**

5900203 (S/N: 1210 & above) (5000/72)

## 72" Mower Deck - Housing, Covers, Spindles & Blades - Rear Discharge

NOTE: Unless noted otherwise, use the standard hardware torque specification chart.



The above parts group applies to the following Mfg. Nos.:

5900204 (S/N: 1210 & above) (5000/72R)

5900205 (S/N: 1210 & above) (5000/72RC)

## 72" Mower Deck - Housing, Covers, Spindles & Blades - Rear Discharge

REF NO.	PART NO.	QTY.	DESCRIPTION
1	5300068	1	ASSM, MOWER DECK 72 RD (Includes safety decals.)
2	5061213B	1	SPINDLE COVER - RH
3	5061214B	1	SPINDLE COVER - LH
4	5022308	6	BODY CLIP, 5/16-18
5	5025155	6	WASHER, 5/16" SAE
6	5025011X6	6	BOLT, 5/16-18 x 3/4
7	5025394	18	NUT, 3/8-16 Hex Nylock Flange
8	5049438	3	SPINDLE ASSEMBLY, Complete
9	5025390X10	18	BOLT, Flange Head, 3/8-16 x 1-1/4
10	5022476	3	MOWER BLADE, 25"
11	5023273	3	MOWER BLADE, SAND, 25" (Applies to CE model only)
12	5025159	3	WASHER, 5/8" USS
13	5025320X14	3	BOLT, 5/8-11 x 1-3/4
14	5023156	12	BOLT, Flange Head, 5/16-18 x 1-1/4 (Applies to CE model only)
15	5047408	8	SPACER, .39 x .75 x .50 (Applies to CE model only)
16	5025392	12	NUT, 5/16-18 Hex Nylock Flange (Applies to CE model only)
17	5061409B	1	BLOWOUT BAFFLE - LH (Applies to CE model only)
18	5061413B	1	BAFFLE REINFORCEMENT (Applies to CE model only)
19	5061408B	1	BLOWOUT BAFFLE - RH (Applies to CE model only)

### Footnotes

---

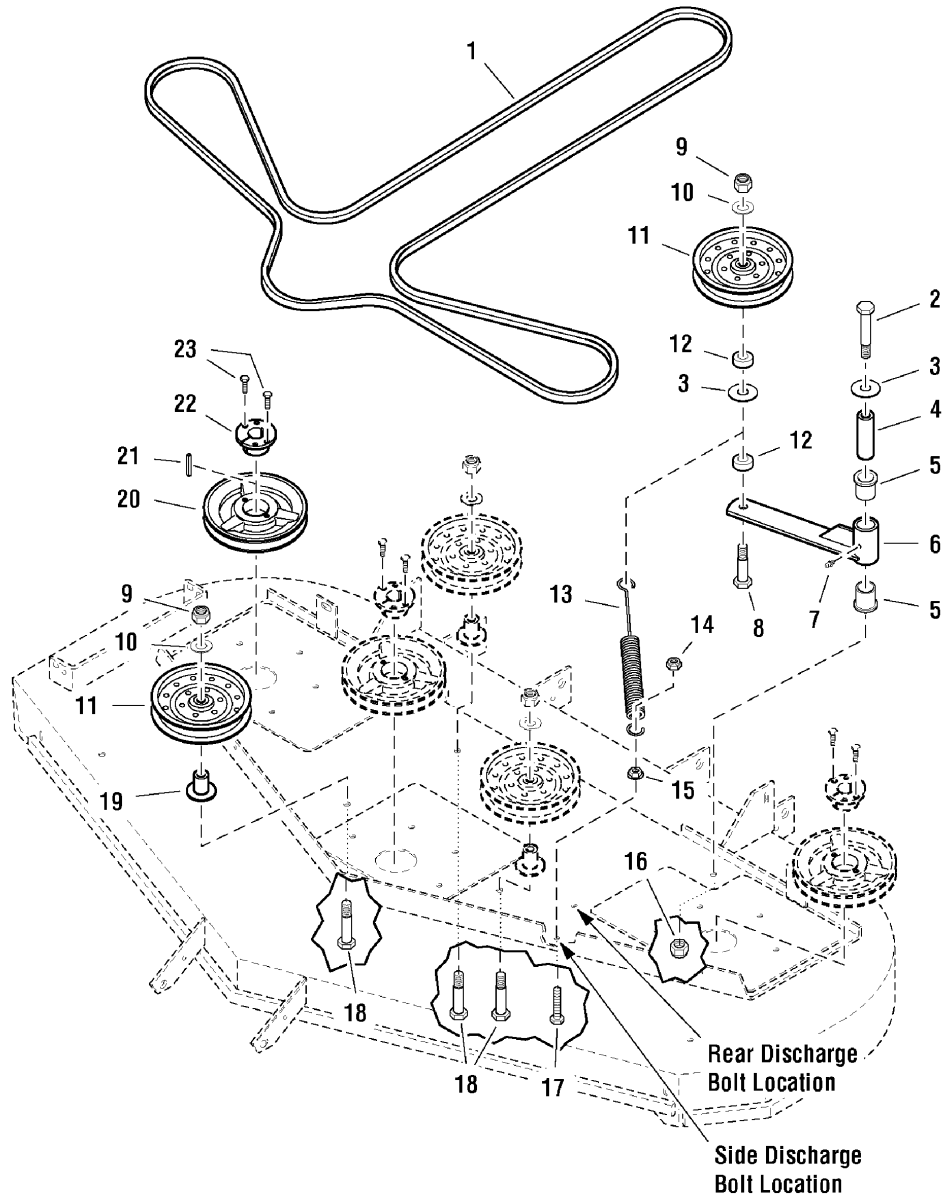
#### The above parts group applies to the following Mfg. Nos.:

5900204 (S/N: 1210 & above) (5000/72R)

5900205 (S/N: 1210 & above) (5000/72RC)

## 72" Mower Deck - Belt, Pulleys & Idler Arm

NOTE: Unless noted otherwise,  
use the standard hardware torque  
specification chart.



The above parts group applies to the following Mfg. Nos.:

5900203 (S/N: 1210 & above) (5000/72)

5900204 (S/N: 1210 & above) (5000/72R)

5900205 (S/N: 1210 & above) (5000/72RC)

## 72" Mower Deck - Belt, Pulleys & Idler Arm

REF NO.	PART NO.	QTY.	DESCRIPTION
1	5022439	1	BELT
2	5025017X36	1	BOLT, 1/2-13 x 4-1/2
3	5025150	2	WASHER, 1/2" USS
4	5045022	1	SPACER, .52 x 1.00 x 3.50
5	5021541	2	BUSHING, Flange
6	5020095	1	GREASE FITTING
7	5045019B	1	IDLER ARM
8	5025018X24	1	BOLT, 1/2-20 x 3
9	5025098	2	NUT, 1/2-20 Hex Nylon Lock
10	5025158	4	WASHER, 1/2" SAE
11	5021976	4	PULLEY, Idler
12	5045023	2	SPACER, .52 x 1.00 x .44
13	5023340	1	SPRING, Extension, Swivel End
14	5025096	1	NUT, 3/8-16 Hex Nylon Lock
15	5025128	1	NUT, 3/8-16 Hex Serrated Flange
16	5025056	1	NUT, 1/2-13 Hex Nylon Lock
17	5025058X14	1	BOLT, 3/8-16 x 1-3/4 TFL
18	5025018X28	3	BOLT, 1/2-20 x 3-1/2
19	5045024B	3	IDLER PULLEY MOUNT
20	5022794	3	PULLEY, Spindle
21	5022726	3	KEY, 1/4 SQ. X 1-1/2
22	5020819	3	BUSHING, Tapered Hub
23	5025010X8	6	BOLT, 1/4-20 x 1

### Footnotes

---

#### The above parts group applies to the following Mfg. Nos.:

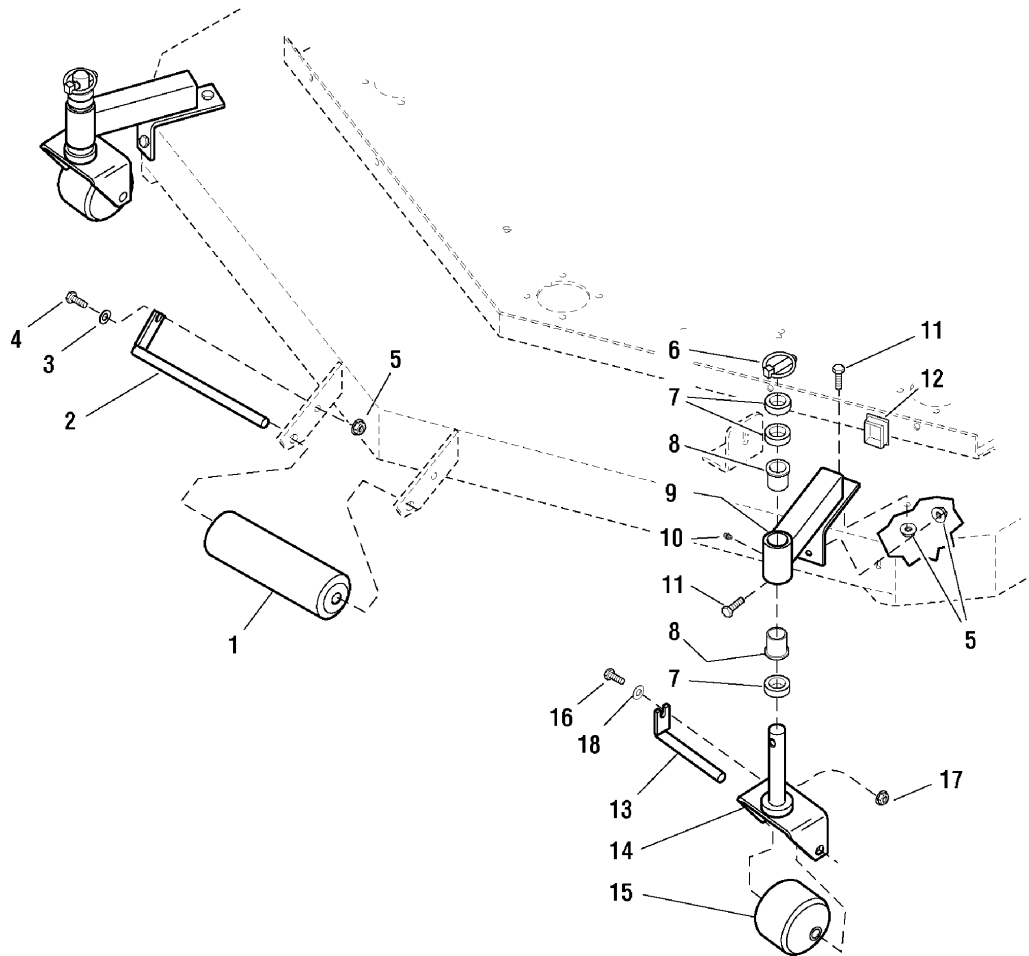
5900203 (S/N: 1210 & above) (5000/72)

5900204 (S/N: 1210 & above) (5000/72R)

5900205 (S/N: 1210 & above) (5000/72RC)

## 72" Mower Deck - Rollers & Casters

NOTE: Unless noted otherwise,  
use the standard hardware torque  
specification chart.



The above parts group applies to the following Mfg. Nos.:

5900203 (S/N: 1210 & above) (5000/72)

5900204 (S/N: 1210 & above) (5000/72R)

5900205 (S/N: 1210 & above) (5000/72RC)



## 72" Mower Deck - Rollers & Casters

REF NO.	PART NO.	QTY.	DESCRIPTION
1	5020785	1	ROLLER
2	5041655B	1	PIN, Roller Mount
3	5025156	1	WASHER, 3/8" SAE
4	5025013X8	1	BOLT, 3/8-16 x 1
5	5025128	5	NUT, 3/8-16 Hex Serrated Flange
6	5020655	2	PIN, Lynch
7	5041476	6	SPACER, 1.02 x 1.56 x .50
8	5021541	4	BUSHING, Flange
9	5046965B	2	CASTER MOUNT ARM
10	5020095	2	GREASE FITTING
11	5025013X6	4	BOLT, 3/8-16 x 3/4
12	5022098	2	CAP, Plastic
13	5045034B	2	CASTER ROLLER PIN
14	5045188B	2	CASTER YOKE
15	5022060	2	ROLLER, Caster
16	5025011X6	2	BOLT, 5/16-18 x 3/4
17	5025127	2	NUT, 5/16-18 Hex Small Serrated Flange
18	5025292	2	WASHER, 5/16" GD9

### Footnotes

---

**The above parts group applies to the following Mfg. Nos.:**

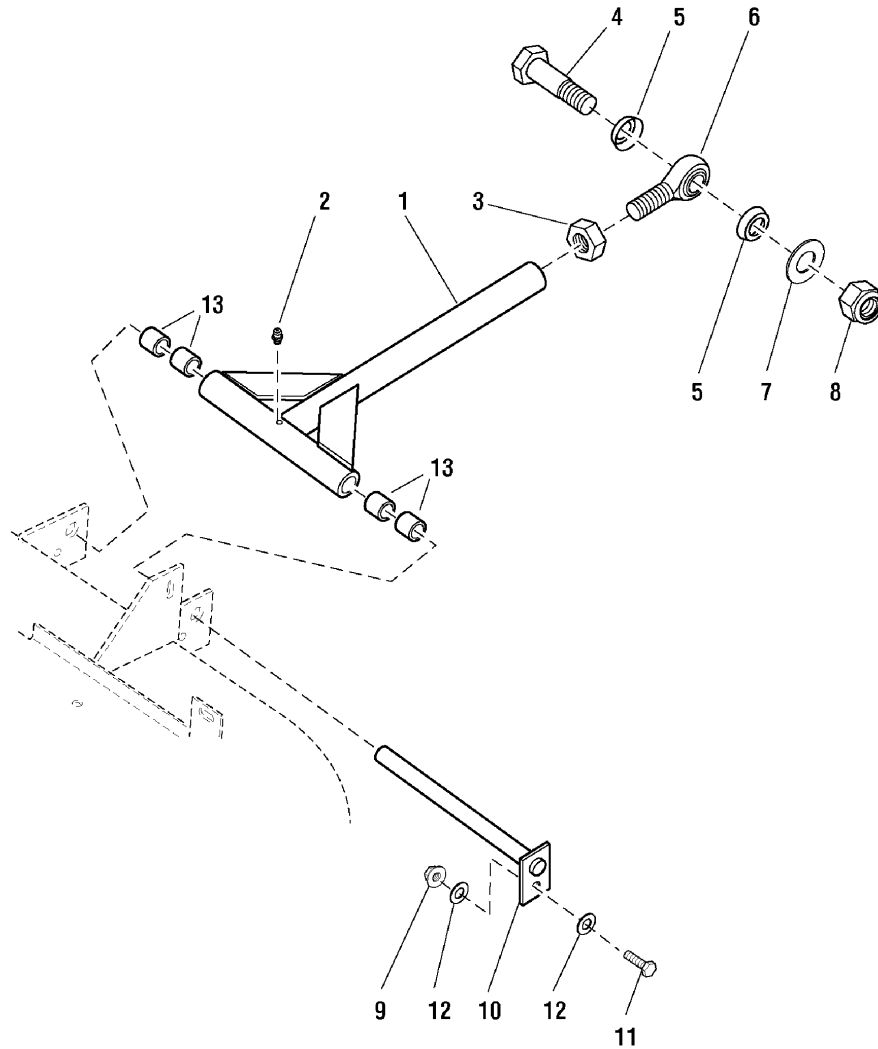
5900203 (S/N: 1210 & above) (5000/72)

5900204 (S/N: 1210 & above) (5000/72R)

5900205 (S/N: 1210 & above) (5000/72RC)

## 61" & 72" Mower Decks - Rear Mount Bars

NOTE: Unless noted otherwise,  
use the standard hardware torque  
specification chart.



### The above parts group applies to the following Mfg. Nos.:

- 5900203 (S/N: 1210 & above) (5000/72)
- 5900204 (S/N: 1210 & above) (5000/72R)
- 5900205 (S/N: 1210 & above) (5000/72RC)
- 5900201 (S/N: 1210 & above) (5000/61R)
- 5900202 (S/N: 1210 & above) (5000/61RC)

## 61" & 72" Mower Decks - Rear Mount Bars

REF NO.	PART NO.	QTY.	DESCRIPTION
1	5045009	2	DECK PUSHER BAR, Complete (Includes Ref No. 13)
2	5020095	2	GREASE FITTING
3	5025093	2	NUT, 3/4-16 Hex Jam
4	5025265X24	2	BOLT, 3/4-16 x 3
5	5022111	4	ROD END SEAL
6	5022039	2	BALL JOINT, 3/4-16 Male
7	5025160	2	WASHER, 3/4" SAE
8	5025284	2	NUT, 3/4-16 Hex Nylon Lock
9	5025096	2	NUT, 3/8-16 Hex Nylon Lock
10	5045037B	2	PUSHER BAR MOUNT PIN
11	5025013X10	2	BOLT, 3/8-16 x 1-1/4
12	5025156	4	WASHER, 3/8" SAE
13	5023344	8	BUSHING (Qty. (4) per pusher bar)

### Footnotes

---

#### The above parts group applies to the following Mfg. Nos.:

5900203 (S/N: 1210 & above) (5000/72)  
5900204 (S/N: 1210 & above) (5000/72R)  
5900205 (S/N: 1210 & above) (5000/72RC)  
5900201 (S/N: 1210 & above) (5000/61R)  
5900202 (S/N: 1210 & above) (5000/61RC)

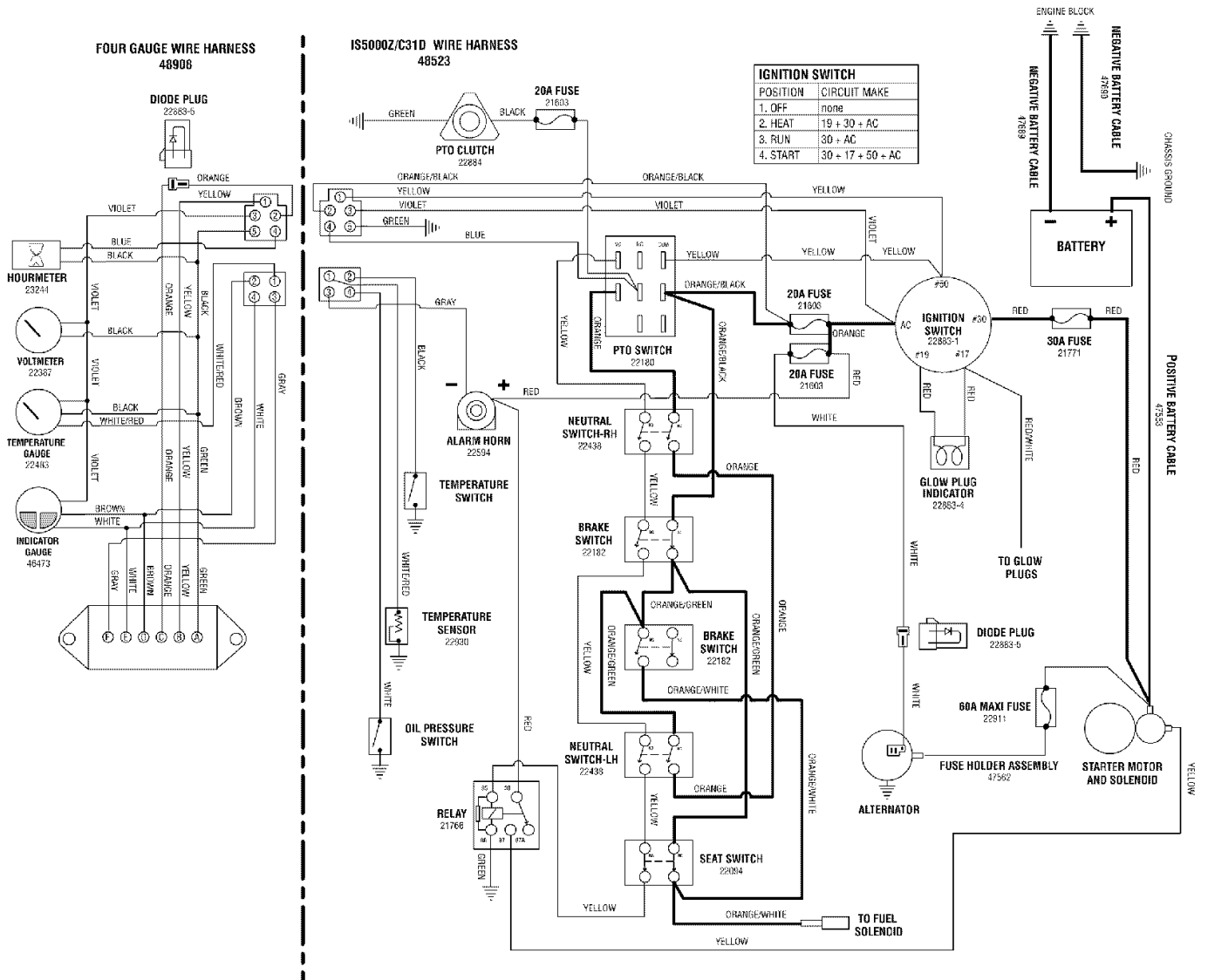




# Electrical Schematic - Operator Presence/Safety Circuit

(S/N: 1290 & below)

168esc10



The above parts group applies to the following Mfg. Nos.:

5901074 (S/N: 1226 & above) (IS5000Z/C3)

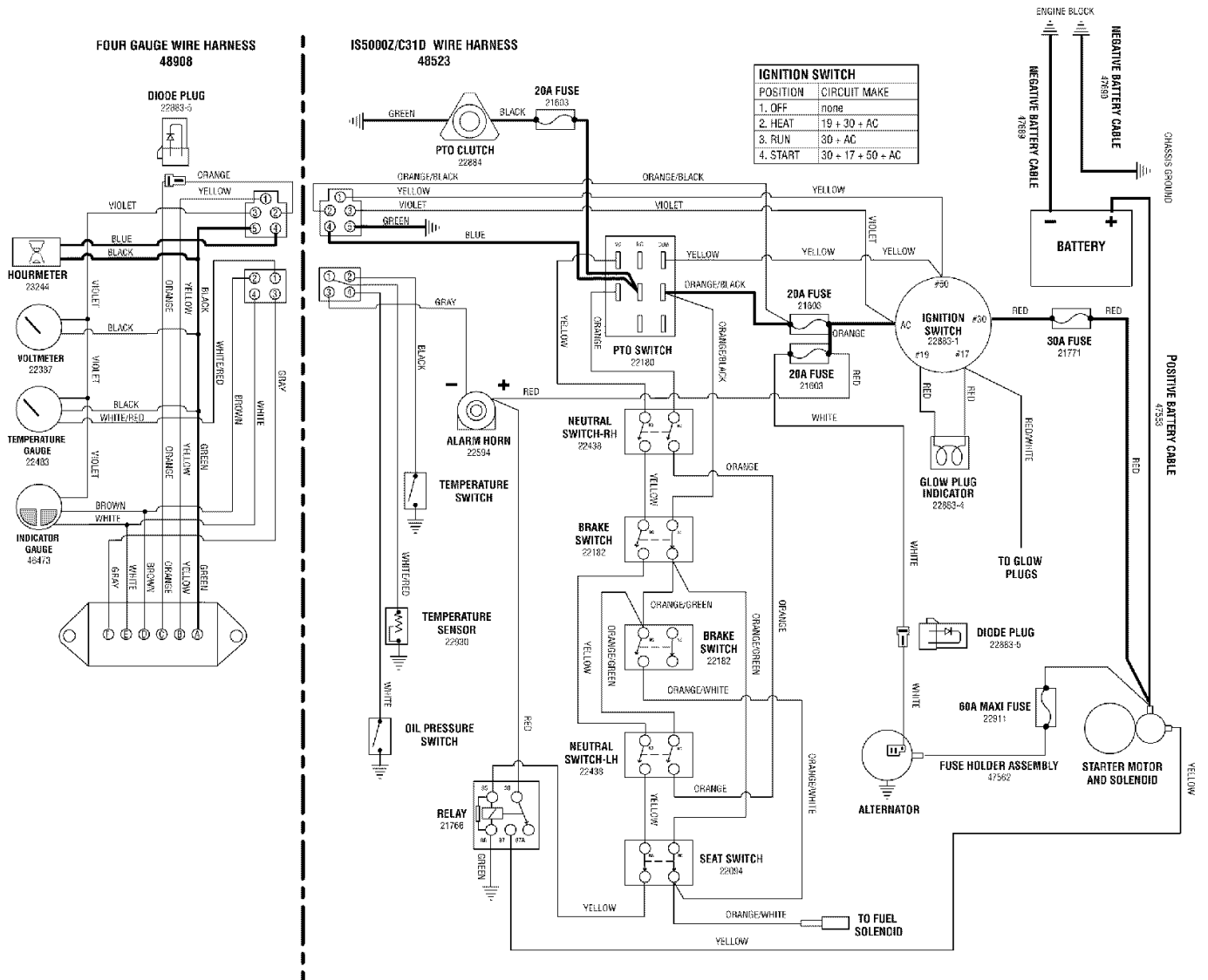
5901071 (S/N: 1226 & above) (IS5000Z/C3)

5901070 (S/N: 1226 & above) (IS5000Z/C3)

# Electrical Schematic - PTO & Hourmeter Circuit

(S/N: 1290 & below)

168escp0



The above parts group applies to the following Mfg. Nos.:

5901074 (S/N: 1226 & above) (IS5000Z/C3)

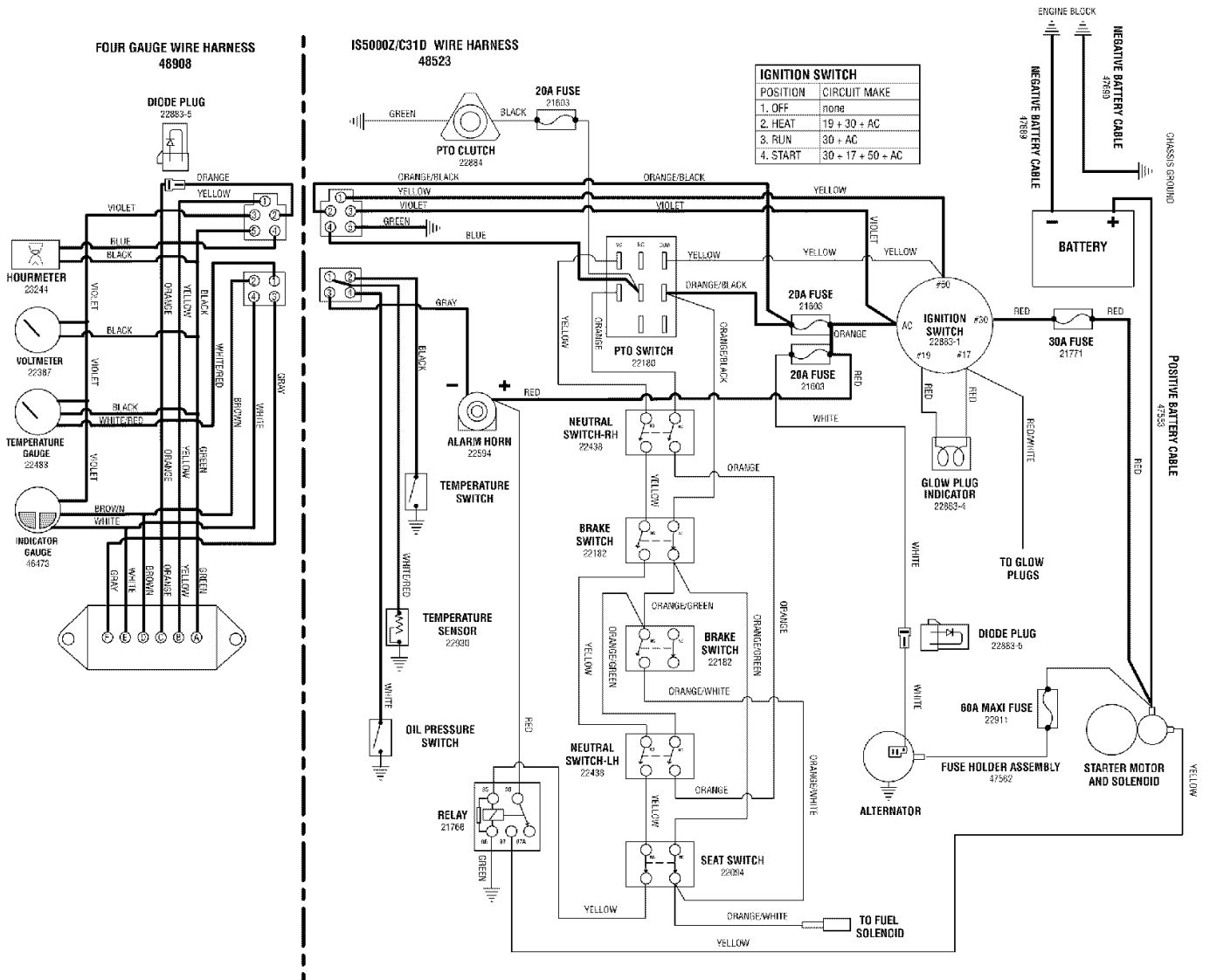
5901071 (S/N: 1226 & above) (IS5000Z/C3)

5901070 (S/N: 1226 & above) (IS5000Z/C3)

# Electrical Schematic - Gauges & Alarm Circuit

(S/N: 1290 & below)

168escg0



The above parts group applies to the following Mfg. Nos.:

5901074 (S/N: 1226 & above) (IS5000Z/C3)

5901071 (S/N: 1226 & above) (IS5000Z/C3)

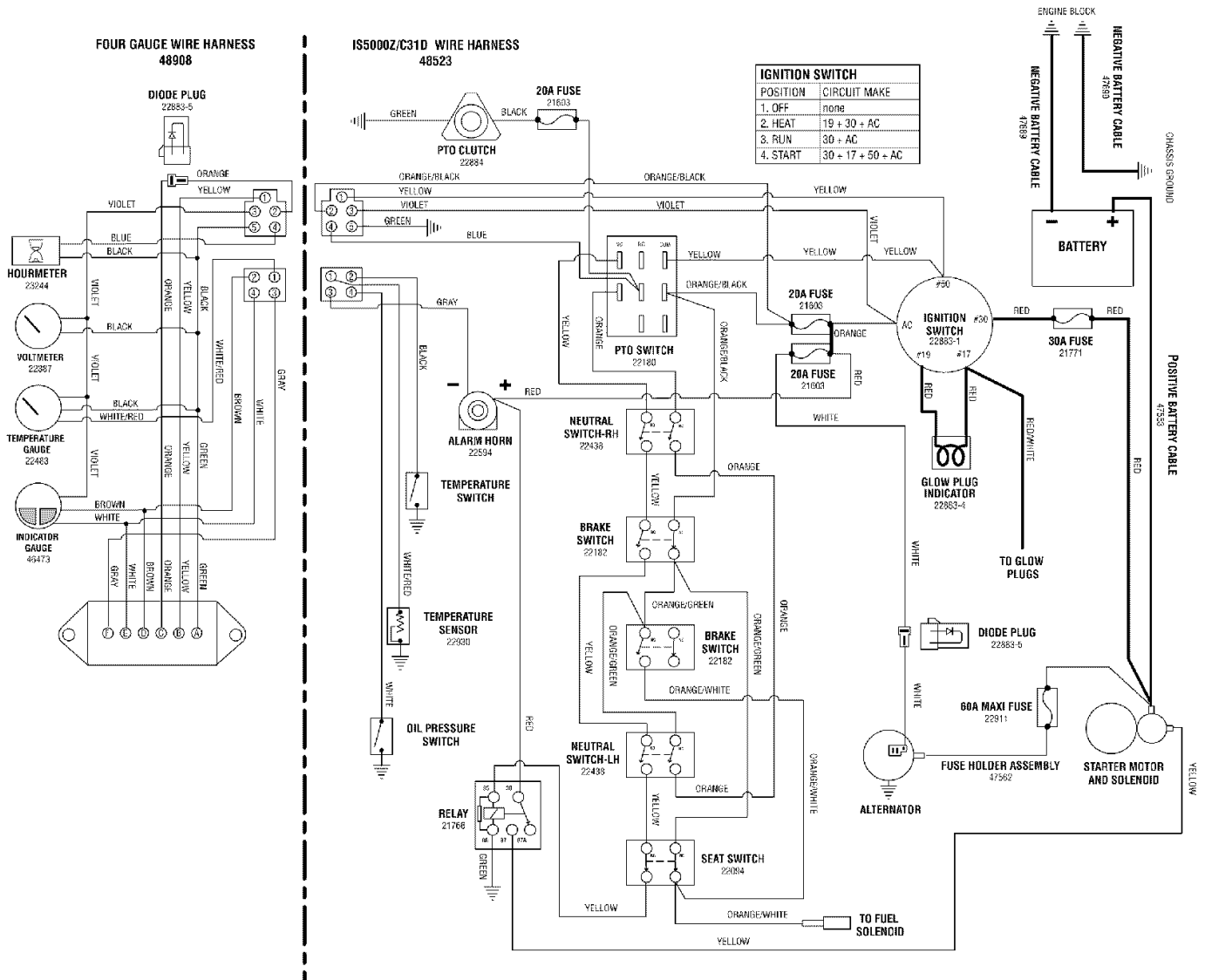
5901070 (S/N: 1226 & above) (IS5000Z/C3)



# Electrical Schematic - Glow Plug Heat Circuit

(S/N: 1290 & below)

168esch0



The above parts group applies to the following Mfg. Nos.:

5901074 (S/N: 1226 & above) (IS5000Z/C3)

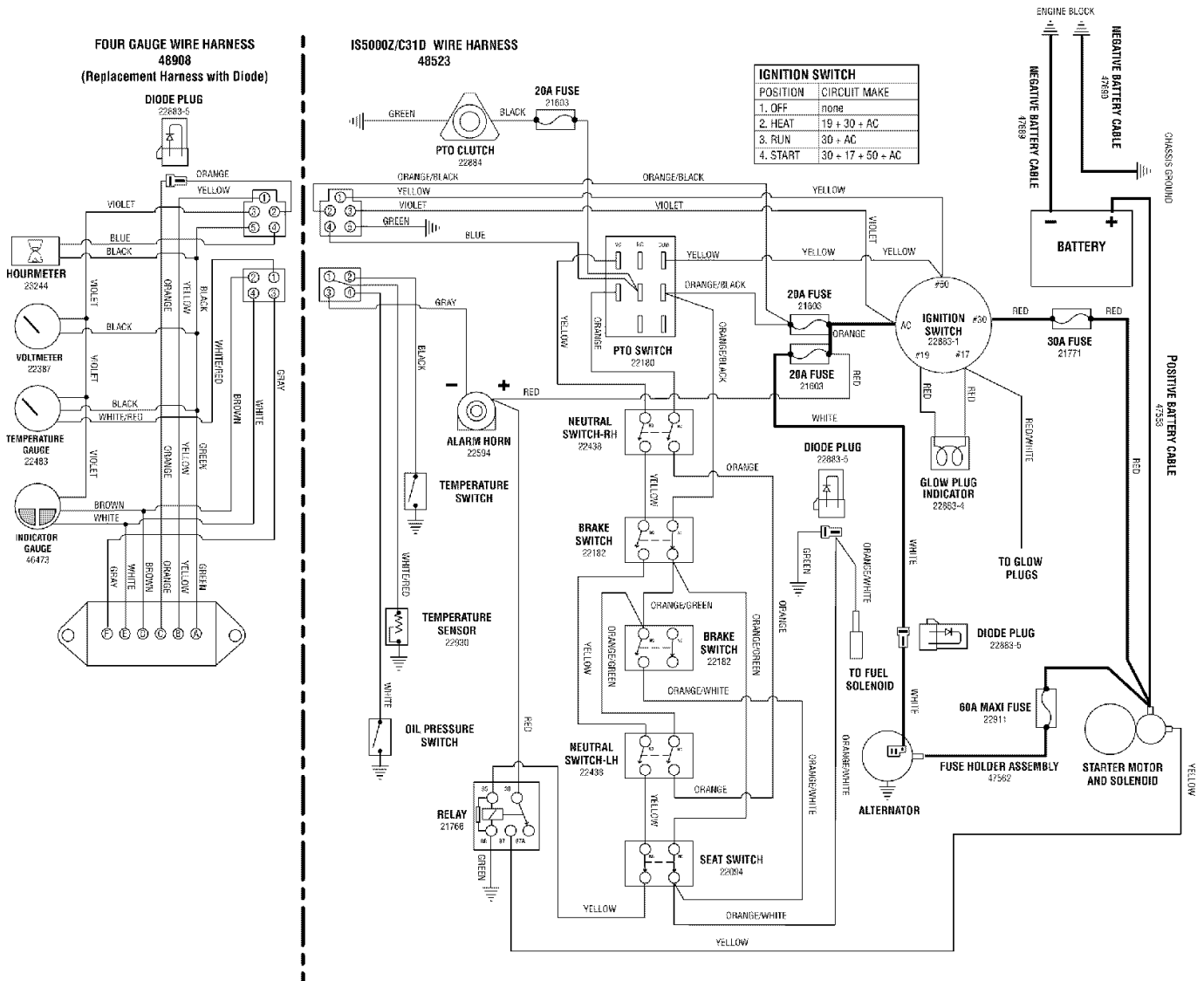
5901071 (S/N: 1226 & above) (IS5000Z/C3)

5901070 (S/N: 1226 & above) (IS5000Z/C3)

# Electrical Schematic - Charging Circuit

(S/N: 1291 & above)

168esccl



The above parts group applies to the following Mfg. Nos.:

5901070 (S/N: 1226 & above) (IS5000Z/C3)

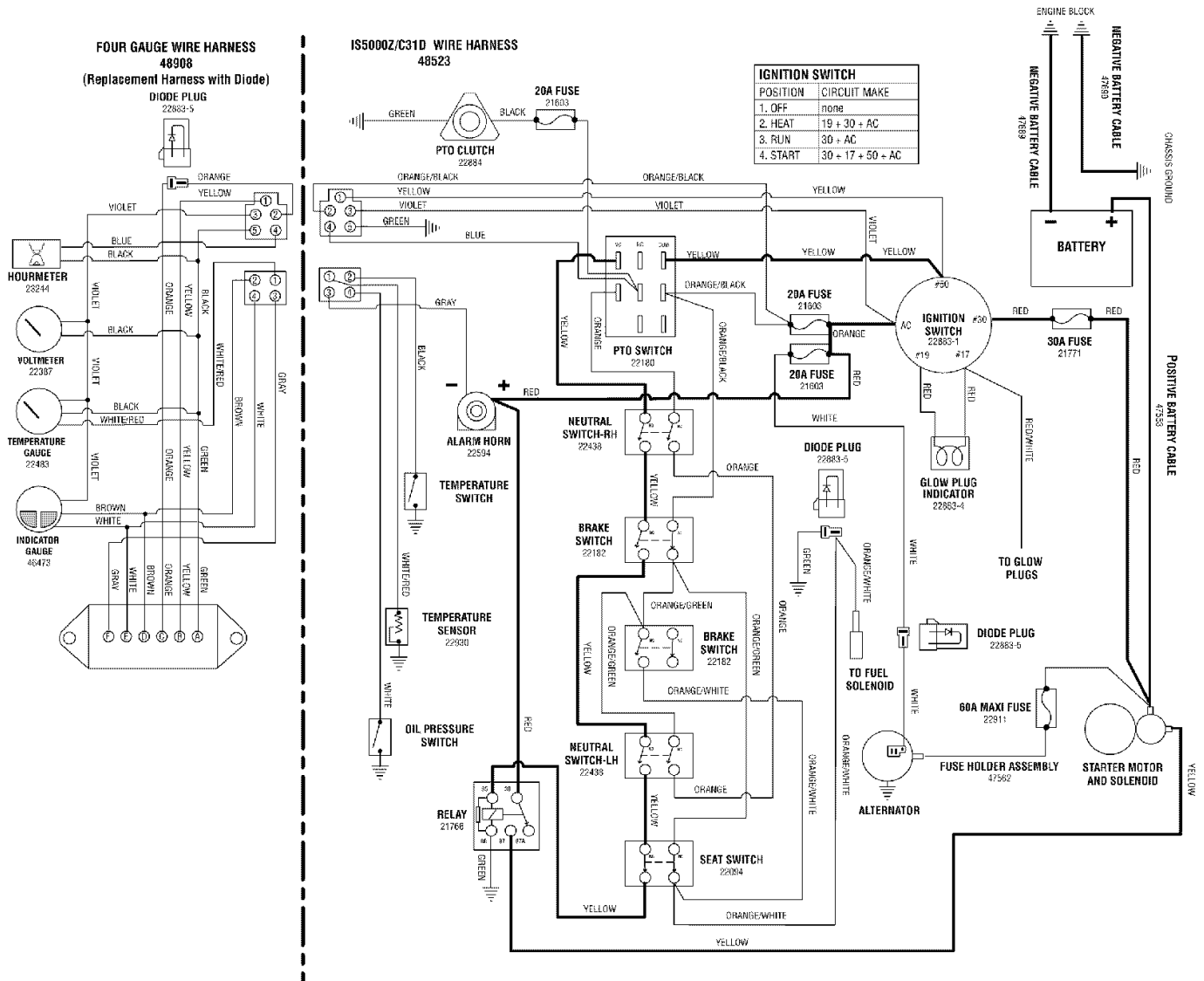
5901074 (S/N: 1226 & above) (IS5000Z/C3)

5901071 (S/N: 1226 & above) (IS5000Z/C3)

# Electrical Schematic - Cranking Circuit

(S/N: 1291 & above)

168escr1



The above parts group applies to the following Mfg. Nos.:

5901070 (S/N: 1226 & above) (IS5000Z/C3)

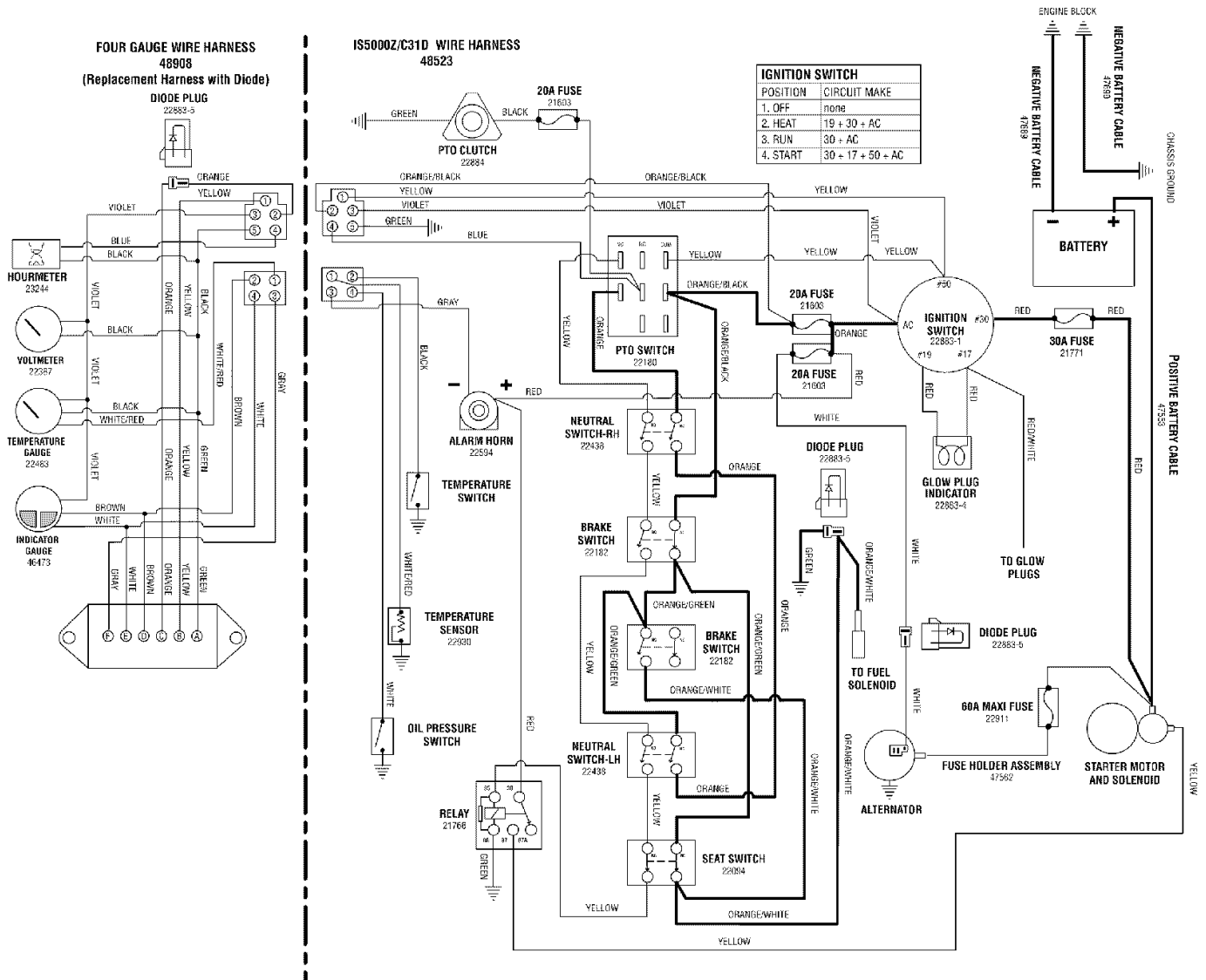
5901074 (S/N: 1226 & above) (IS5000Z/C3)

5901071 (S/N: 1226 & above) (IS5000Z/C3)

# Electrical Schematic - Operator Presence/Safety Circuit

(S/N: 1291 & above)

168esc11



The above parts group applies to the following Mfg. Nos.:

5901070 (S/N: 1226 & above) (IS5000Z/C3)

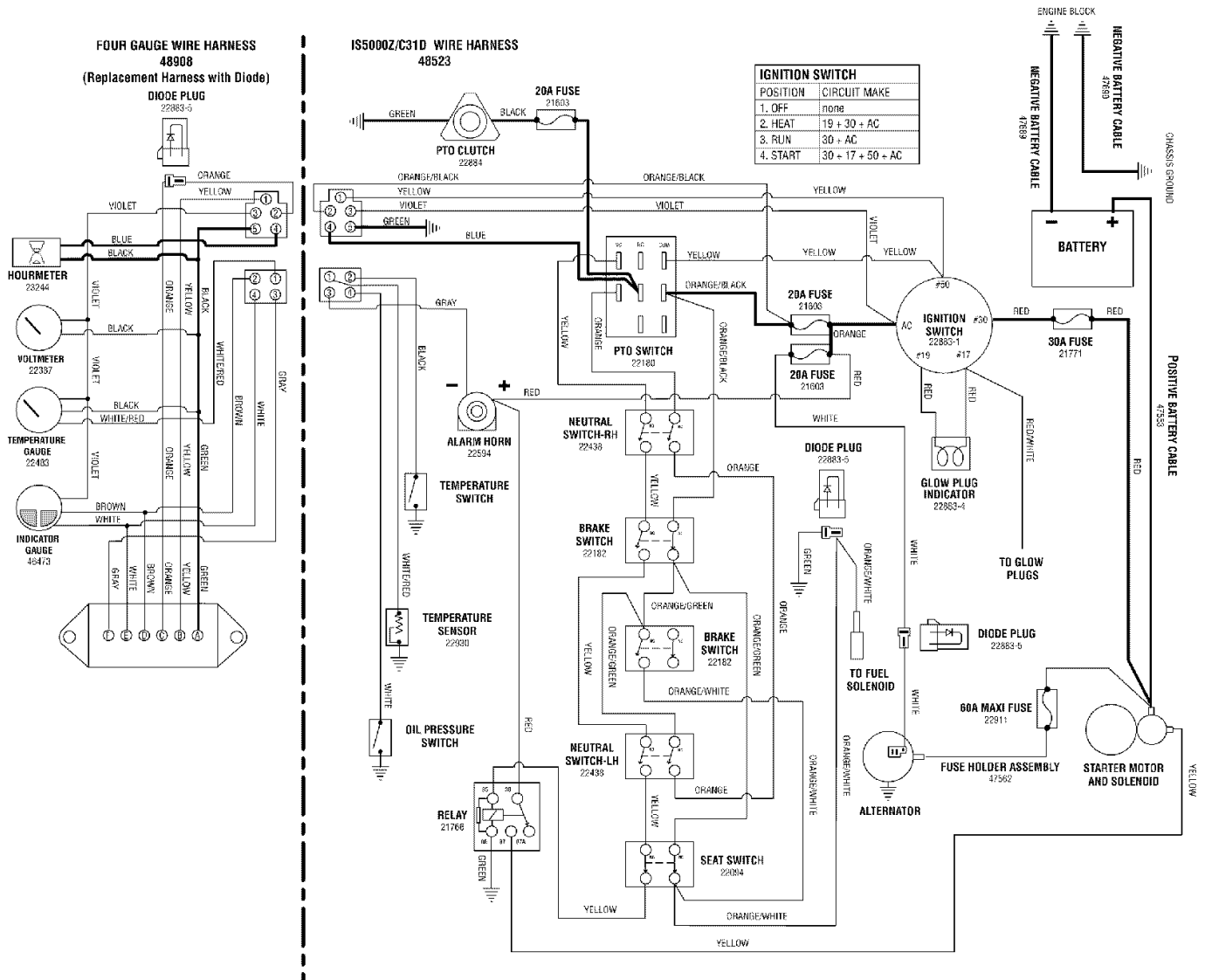
5901074 (S/N: 1226 & above) (IS5000Z/C3)

5901071 (S/N: 1226 & above) (IS5000Z/C3)

# Electrical Schematic - PTO & Hourmeter Circuit

(S/N: 1291 & above)

168escp1



The above parts group applies to the following Mfg. Nos.:

5901070 (S/N: 1226 & above) (IS5000Z/C3)

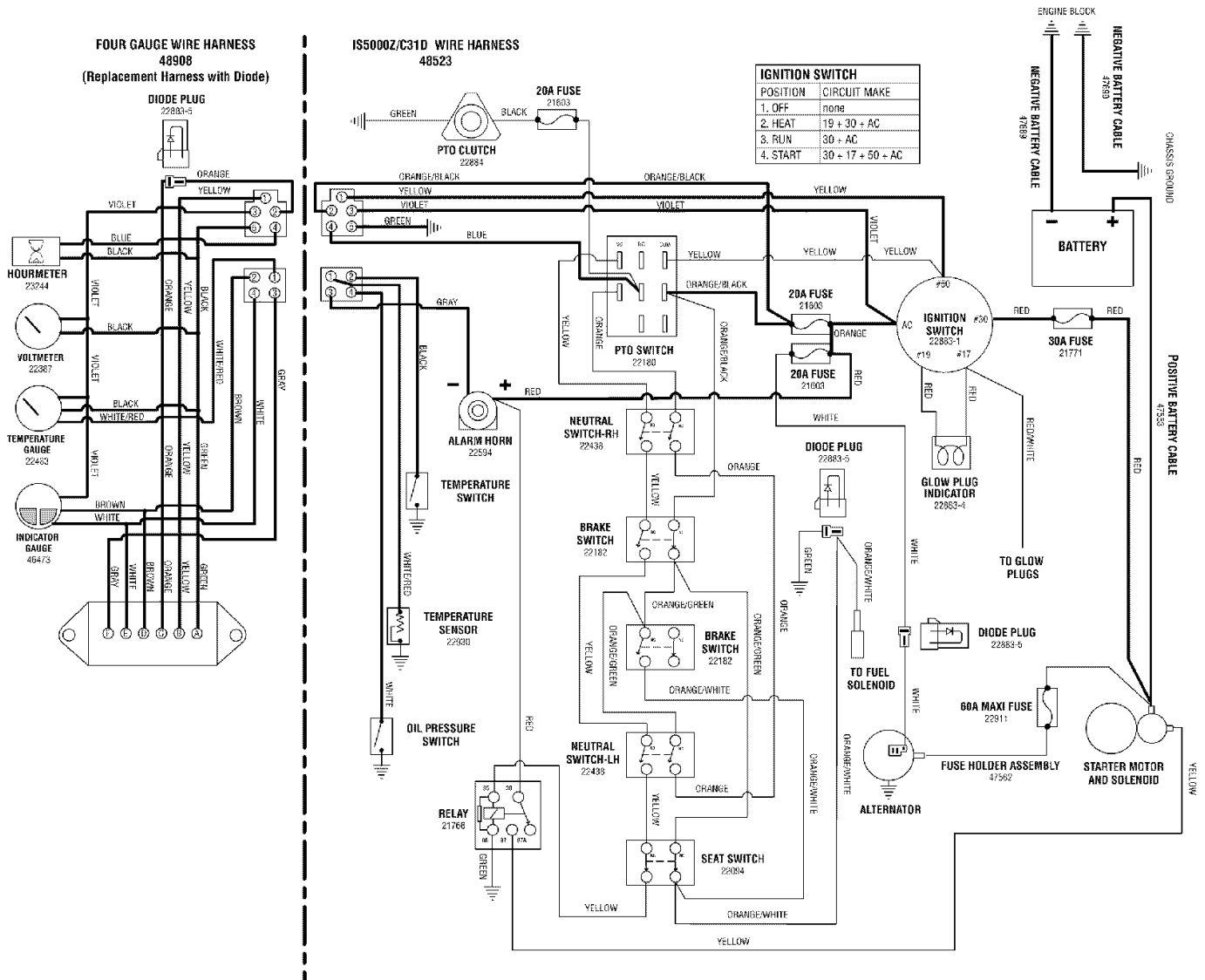
5901074 (S/N: 1226 & above) (IS5000Z/C3)

5901071 (S/N: 1226 & above) (IS5000Z/C3)

# Electrical Schematic - Gauges & Alarm Circuit

(S/N: 1291 & above)

168escg1



The above parts group applies to the following Mfg. Nos.:

5901070 (S/N: 1226 & above) (IS5000Z/C3)

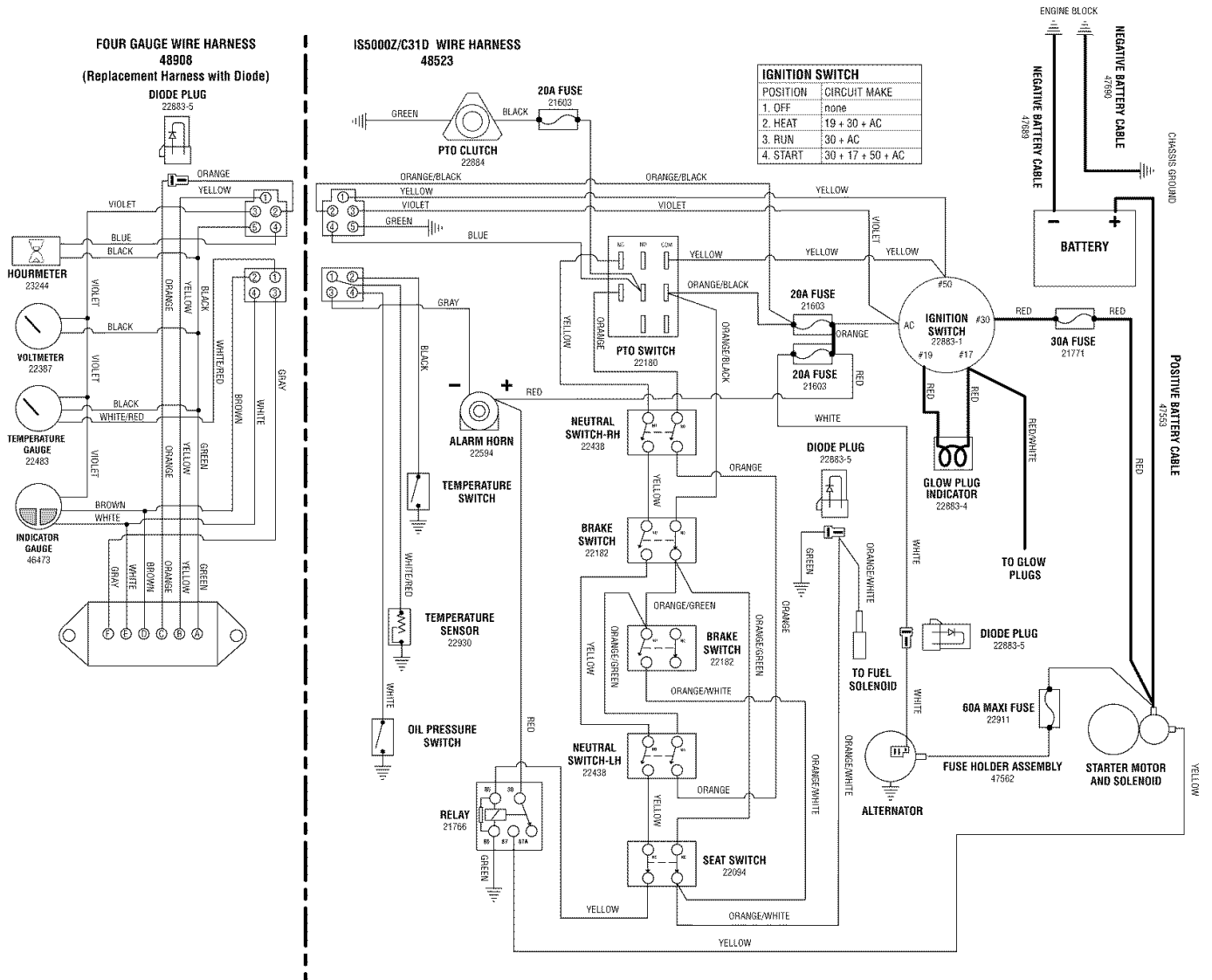
5901074 (S/N: 1226 & above) (IS5000Z/C3)

5901071 (S/N: 1226 & above) (IS5000Z/C3)

# Electrical Schematic - Glow Plug Heat Circuit

(S/N: 1291 & above)

168esch1



The above parts group applies to the following Mfg. Nos.:

5901070 (S/N: 1226 & above) (IS5000Z/C3)

5901074 (S/N: 1226 & above) (IS5000Z/C3)

5901071 (S/N: 1226 & above) (IS5000Z/C3)

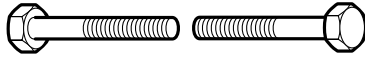




# Hardware Identification & Torque Specifications

## Common Hardware Types

Hex Head Capscrew



Washer



Carriage Bolt



Lockwasher



Hex Nut

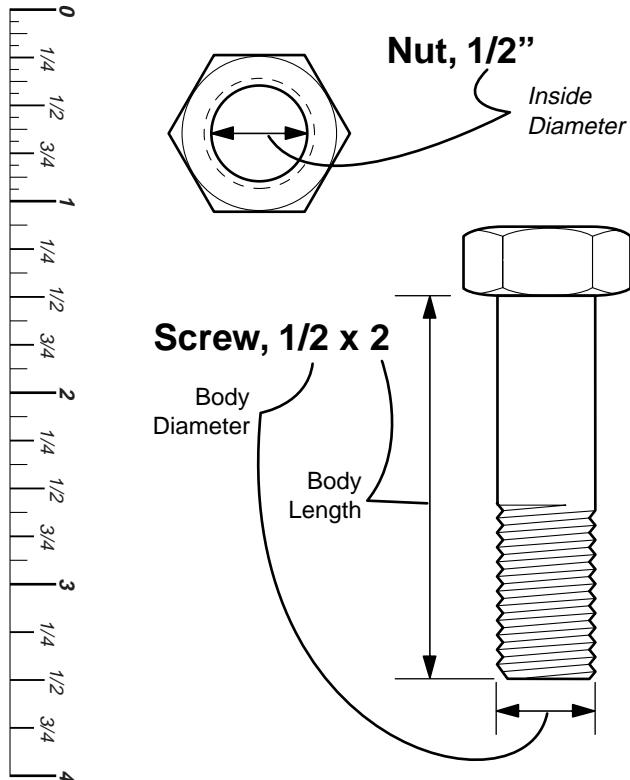


## Standard Hardware Sizing

When a washer or nut is identified as  $1/2''$ , this is the *Nominal size*, meaning the *inside diameter* is  $1/2$  inch; if a second number is present it represents the *threads per inch*

When bolt or capscrew is identified as  $1/2 - 16 \times 2''$ , this means the *Nominal size*, or *body diameter* is  $1/2$  inch; the second number represents the *threads per inch* (16 in this example, and the final number is the *body length* of the bolt or screw (in this example 2 inches long).

**The guides and ruler furnished below are designed to help you select the appropriate hardware and tools.**



## Torque Specification Chart

FOR STANDARD MACHINE HARDWARE (Tolerance  $\pm 20\%$ )

Hardware Grade	No Marks SAE Grade 2		SAE Grade 5		SAE Grade 8	
	in/lbs ft/lbs	Nm.	in/lbs ft/lbs	Nm.	in/lbs ft/lbs	Nm.
8-32	19	2.1	30	3.4	41	4.6
8-36	20	2.3	31	3.5	43	4.9
10-24	27	3.1	43	4.9	60	6.8
10-32	31	3.5	49	5.5	68	7.7
1/4-20	66	7.6	8	10.9	12	16.3
1/4-28	76	8.6	10	13.6	14	19.0
5/16-18	11	15.0	17	23.1	25	34.0
5/16-24	12	16.3	19	25.8	27	34.0
3/8-16	20	27.2	30	40.8	45	61.2
3/8-24	23	31.3	35	47.6	50	68.0
7/16-14	30	40.8	50	68.0	70	95.2
7/16-20	35	47.6	55	74.8	80	108.8
1/2-13	50	68.0	75	102.0	110	149.6
1/2-20	55	74.8	90	122.4	120	163.2
9/16-12	65	88.4	110	149.6	150	204.0
9/16-18	75	102.0	120	163.2	170	231.2
5/8-11	90	122.4	150	204.0	220	299.2
5/8-18	100	136	180	244.8	240	326.4
3/4-10	160	217.6	260	353.6	386	525.0
3/4-16	180	244.8	300	408.0	420	571.2
7/8-9	140	190.4	400	544.0	600	816.0
7/8-14	155	210.8	440	598.4	660	897.6
1-8	220	299.2	580	788.8	900	1,244.0
1-12	240	326.4	640	870.4	1,000	1,360.0

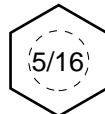
### NOTES

- These torque values are to be used for all hardware excluding: locknuts, self-tapping screws, thread forming screws, sheet metal screws and socket head setscrews.
- Recommended seating torque values for locknuts:
  - for prevailing torque locknuts - use 65% of grade 5 torques.
  - for flange whizlock nuts and screws - use 135% of grade 5 torques.
- Unless otherwise noted on assembly drawings, all torque values must meet this specification.

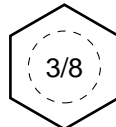
## Wrench & Fastener Size Guide



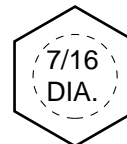
$1/4''$  Bolt or Nut  
Wrench— $7/16''$



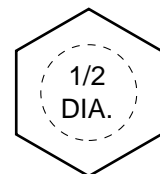
$5/16''$  Bolt or Nut  
Wrench— $1/2''$



$3/8''$  Bolt or Nut  
Wrench— $9/16''$



$7/16''$  Bolt or Nut  
Wrench (Bolt)— $5/8''$   
Wrench (Nut)— $11/16''$



$1/2''$  Bolt or Nut  
Wrench— $3/4''$

# Parts Manual IS5000Z Series

## Zero-Turn Riding Mower

S/N: 1226 & Above (Tractor) 1210 & Above (Mower)

**IT IS THE POLICY OF FERRIS INDUSTRIES TO IMPROVE ITS PRODUCTS WHENEVER IT IS POSSIBLE AND PRACTICAL TO DO SO. WE RESERVE THE RIGHT TO MAKE CHANGES OR ADD IMPROVEMENTS AT ANY TIME WITHOUT INCURRING ANY OBLIGATION TO MAKE SUCH CHANGES ON PRODUCTS MANUFACTURED**

### **Briggs and Stratton Yard Power Products Group**

5375 North Main Street  
Munnsville, NY 13409 USA  
800-933-6175

[www.ferrisindustries.com](http://www.ferrisindustries.com)

© Copyright 2007 Briggs and Stratton Corporation  
All Rights Reserved. Printed In USA.

## Free Manuals Download Website

<http://myh66.com>

<http://usermanuals.us>

<http://www.somanuals.com>

<http://www.4manuals.cc>

<http://www.manual-lib.com>

<http://www.404manual.com>

<http://www.luxmanual.com>

<http://aubethermostatmanual.com>

Golf course search by state

<http://golfingnear.com>

Email search by domain

<http://emailbydomain.com>

Auto manuals search

<http://auto.somanuals.com>

TV manuals search

<http://tv.somanuals.com>