

*Parts Manual for*

# **SNAPPER®**

## **HYDRO DRIVE ELECTRIC CLUTCH 42" & 46" LAWN TRACTOR LT-125 SERIES**

<i>Model No.</i>	<i>Description</i>
2690808	LT23420
2690809	LT24460



**Briggs & Stratton Yard Power Products Group**

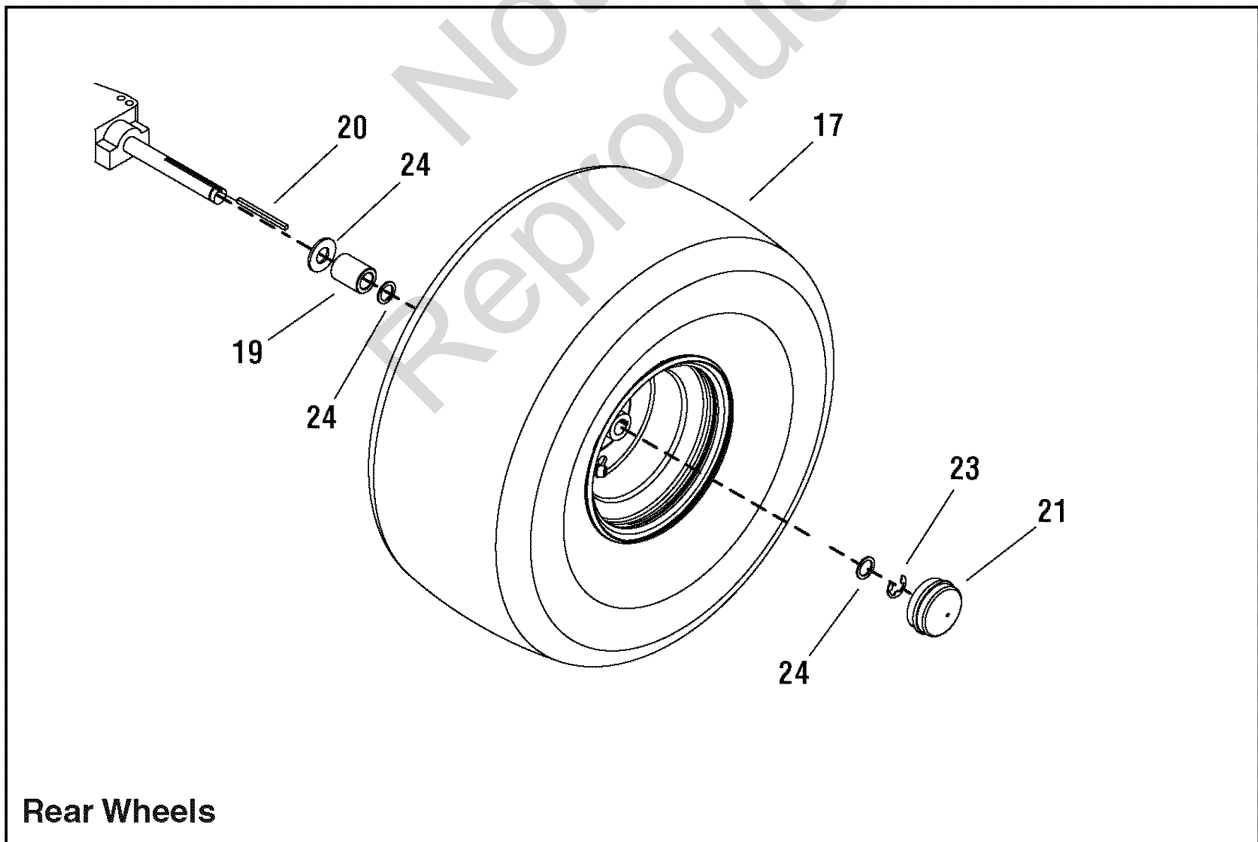
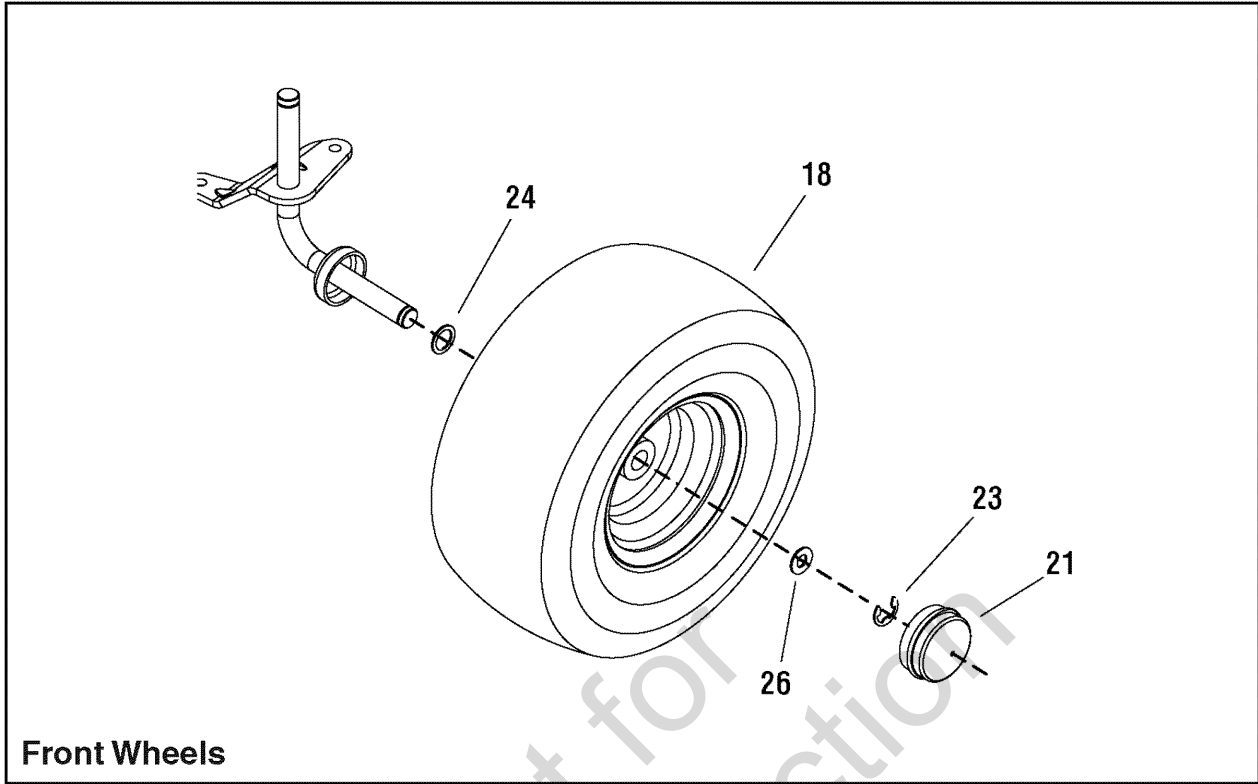
535 Macon Road  
McDonough, GA, 30253 U.S.A.  
800-935-2967

**Manual No.** 7006275  
**Revision:** A 8/20/2010

Not for  
Reproduction

<b>PAGE</b>	<b>GROUP</b>
4	Wheels & Tires Group
6	Hood, Grille & Dash Group
8	Seat Deck & Fuel Tank Group
10	Steering Group
12	Frame & Front Axle Group
16	Engine Group - 23HP
18	Engine Group - 24HP
20	Controls Group
22	Transmission Group
24	Lift Group - Manual
26	42" Housing, Arbor & Blades Group
28	42" Mower Deck - Belt, Idler Arm & Hitch Group
30	42" Mower Deck - Height Adjustment & Roller Bar Group
32	46" Mower Deck - Housing, Arbor & Blades Group
34	46" Mower Deck - Clutch Group
36	Height Adjust Group - Frame Hung Mower
38	Decals Group - 42" Deck
40	Decals Group - 46" Deck
42	Electrical Group

Not for  
Reproduction



## Wheels & Tires Group

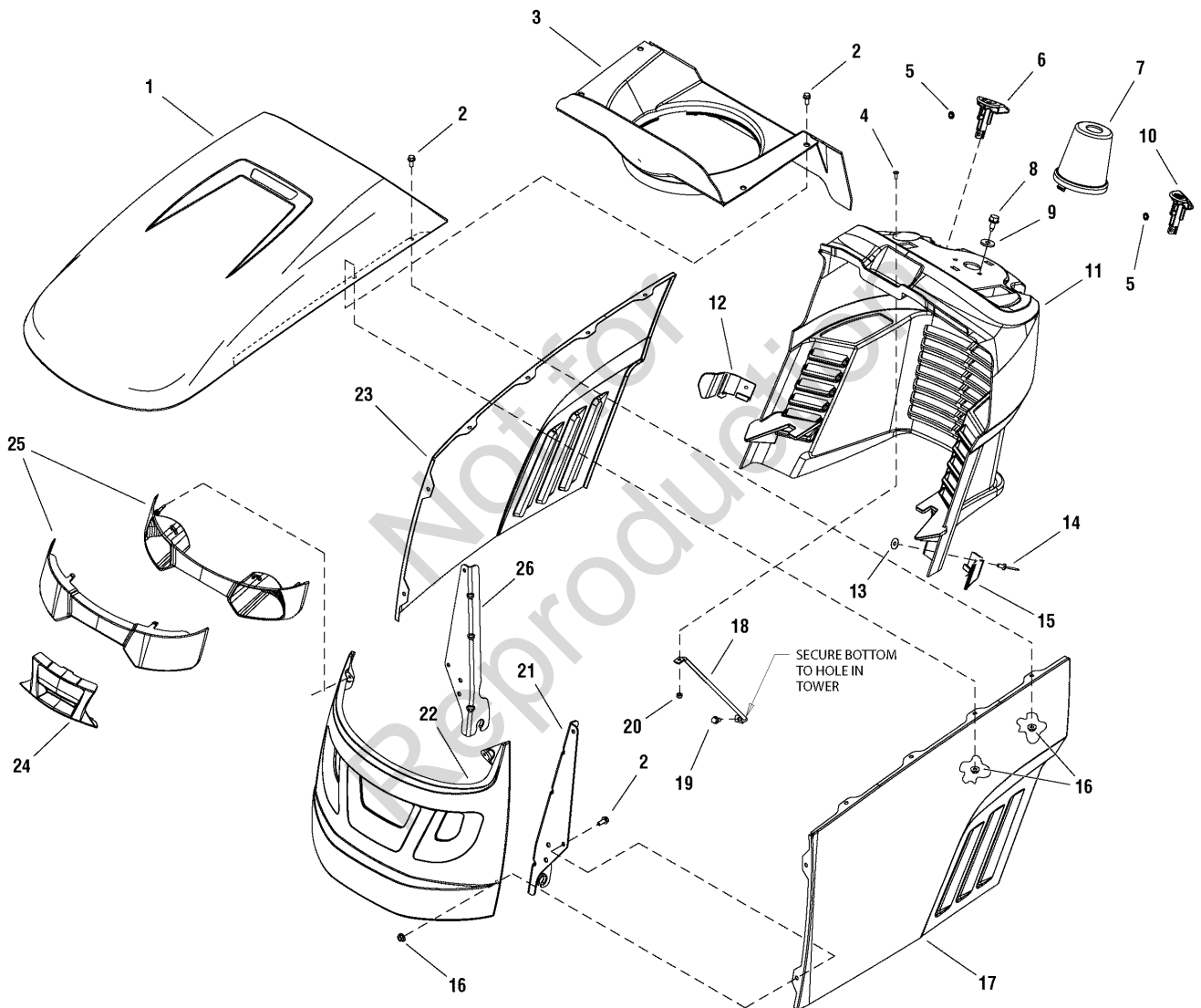
---

Item	Part No	Qty	Description
17	7101563	2	Wheel & Tire, 22 x 10 - 8
18	1729708	2	WHEEL & TIRE ASSEMBLY, 14.4 X 6
--	1742259	4	BEARING, Front Wheel, 3/4" ID Hard (Not shown) (Two per wheel)
--	2812808	1	FITTING, Lube, 1/4 (Not shown)
19	1730181	2	SPACER, 0.77 ID x 1-1/4 OD x 1.65 LG Powdered Metal Black
20	720258	2	KEY, 3/16
21	721318	4	HUB CAP
23	720010	4	RING, "E", .750 D - .050 T
24	722598	6	WASHER, .76-1.2 16G FL
26	722620	4	WASHER, FLAT

Not for  
Reproduction

### Footnotes:

# Hood, Grille & Dash Group



## Hood, Grille & Dash Group

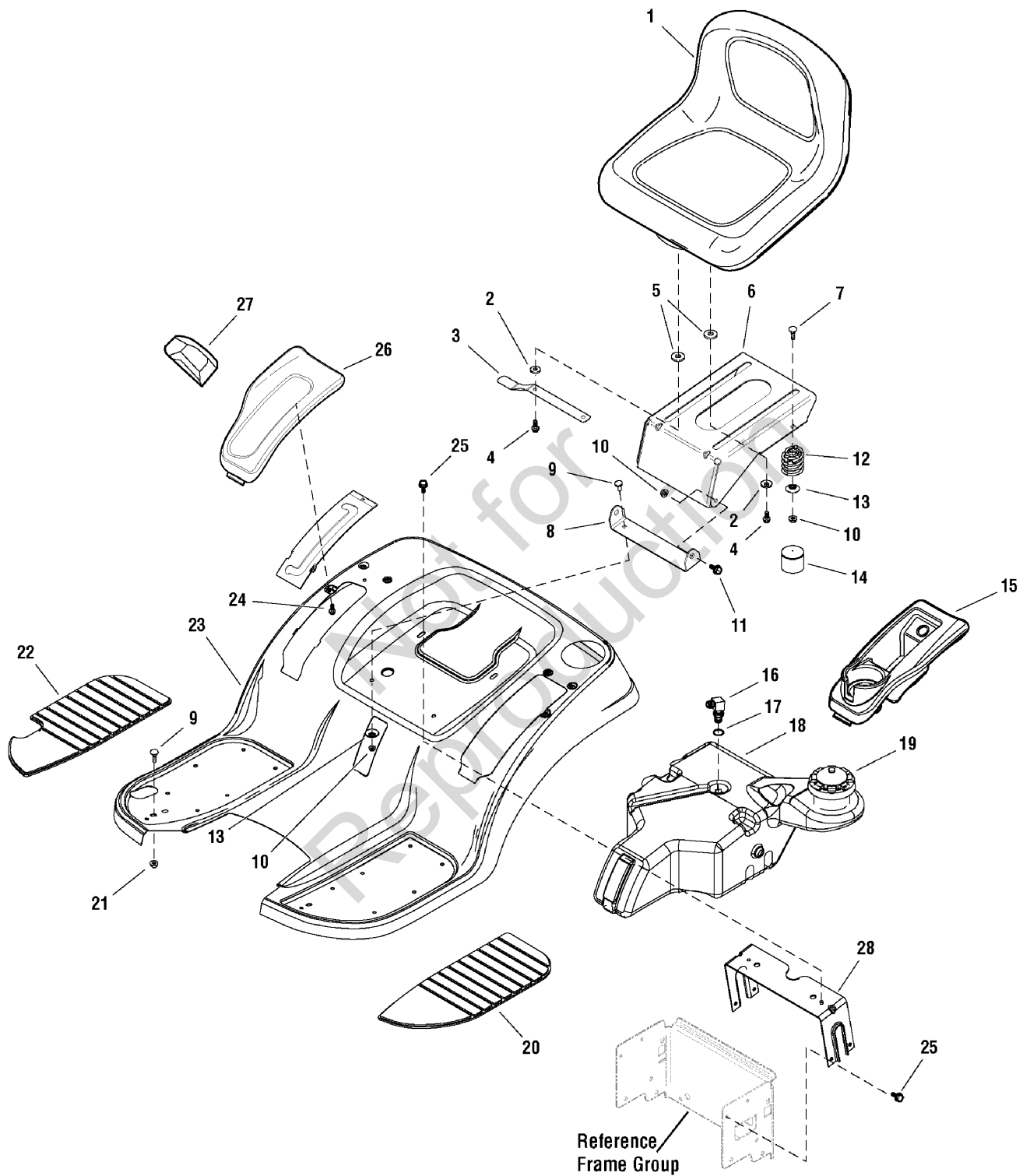
---

Item	Part No	Qty	Description
1	1728031D	1	HOOD, with Louver, (Red)
2	1960295	12	CAPSCREW, Whizlock, 1/4-20 x 5/8
3	7102326	1	DUCT, Air Inlet Plastic
4	1960392	3	SCREW, Pan Head #10-24 x 1/2
5	1960518	2	NUT, Push Pal
6	1728090	1	KNOB, Cruise Lock Green Plastic
7	1736672	1	COVER, Steering Shaft Plastic
8	1664847	2	CAPSCREW, Hex Head, Taptite, 5/16-18 x 3/4
9	1919381	2	WASHER, Plain, 5/16
10	1728089	1	KNOB, Brake Lock Plastic
11	1736671	1	DASHBOARD
12	1732031	1	GUIDE, Hood RH
13	1960096	2	WASHER
14	1928707	2	RIVET, Pop, Stem Black
15	1732030	1	GUIDE, Hood LH
16	1930641	12	NUT, Hex Flange Whiz, 1/4-20
17	1727295D	1	PANEL, Hood LH Side
18	1723123	1	ROD, Dash Support
19	1925003	1	SCREW, Self-Tap
20	1933896	1	NUT, Hex, Nylon, Lock, #10-24
21	1727279A	1	HINGE, Hood LH
22	1728059D	1	GRILLE
23	1727294D	1	PANEL, Hood RH Side
24	7101810	1	INSERT, Lightbar
25	1727296	1	HEADLIGHT ASSEMBLY
26	1727280A	1	HINGE, Hood RH

Not for  
Reproduction

### Footnotes:

# Seat Deck & Fuel Tank Group

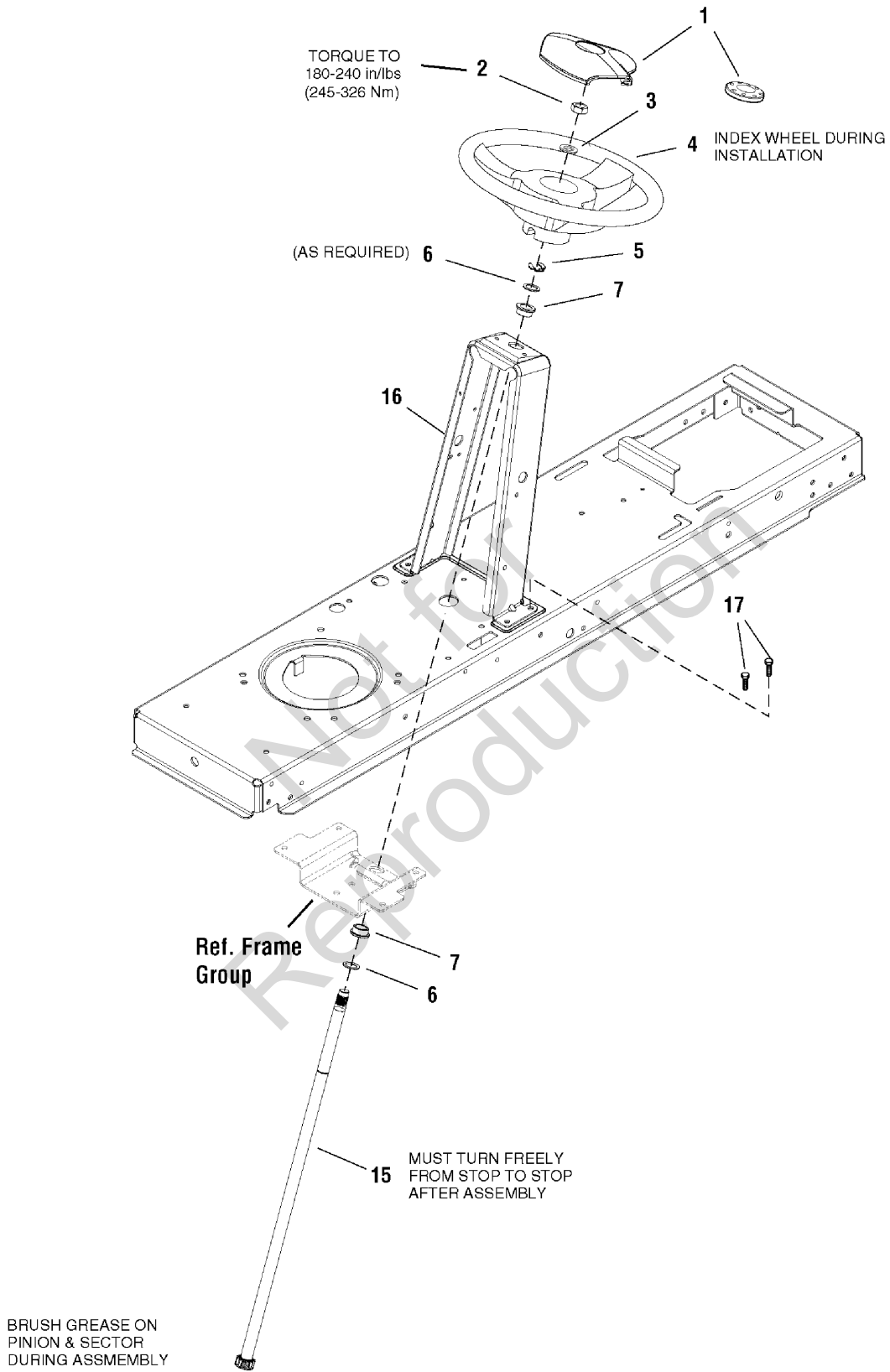




## Seat Deck & Fuel Tank Group

Item	Part No	Qty	Description
1	1736678	1	SEAT, Hi Back, Steel Pan
2	1919381	4	WASHER, Plain, 5/16
3	1727268	1	LATCH, Seat 20GA E-Coat
4	1960667	4	CAPSCREW, Hex Head Flange Dog Point, 5/16-18 x 1
5	1731300	4	SPACER, 0.32 ID x 1-1/2 OD x 3/10 THK Powdered Metal Yellow
6	1727265A	1	SUPPORT, Seat 12GA
7	1960282	2	CARRIAGE BOLT, 5/16-18 x 3/4
8	1727266A	1	PIVOT, Seat 10GA
9	1931333	4	BOLT, Carriage, 5/16-18 x 3/4
10	1960686	4	NUT, Hex Flange, 5/16-18 ESNA
11	1729576	2	BOLT, Shoulder 5/16-18 G5
12	1704728	2	SPRING, Compression
13	1709256	4	WASHER, Spring Black
14	1704724	2	COVER, Spring
15	1736676	1	POD, LH Cup Holder
16	1674231	1	ELBOW FITTING
17	1654930	1	BUSHING
18	1727305	1	TANK, Fuel
19	5101651	1	CAP, Gas
20	1736673	1	PAD, Footrest LH
21	1931277	4	NUT, Hex, Flange Whizlock, 5/16-18
22	1736674	1	PAD, Footrest RH
23	1727264D	1	DECK, Seat w/Footrests
24	1960536	6	SCREW, Hex, Washer Head, Plastite, 1/4-20 x 1/2
25	1930601	2	SCREW, Taptite, 5/16-18 x 5/8
26	1736675	1	POD, RH Lift Quadrant
27	1736679	1	GRIP, Lift
28	1731310A	1	SUPPORT, Seat

### Footnotes:



## Steering Group

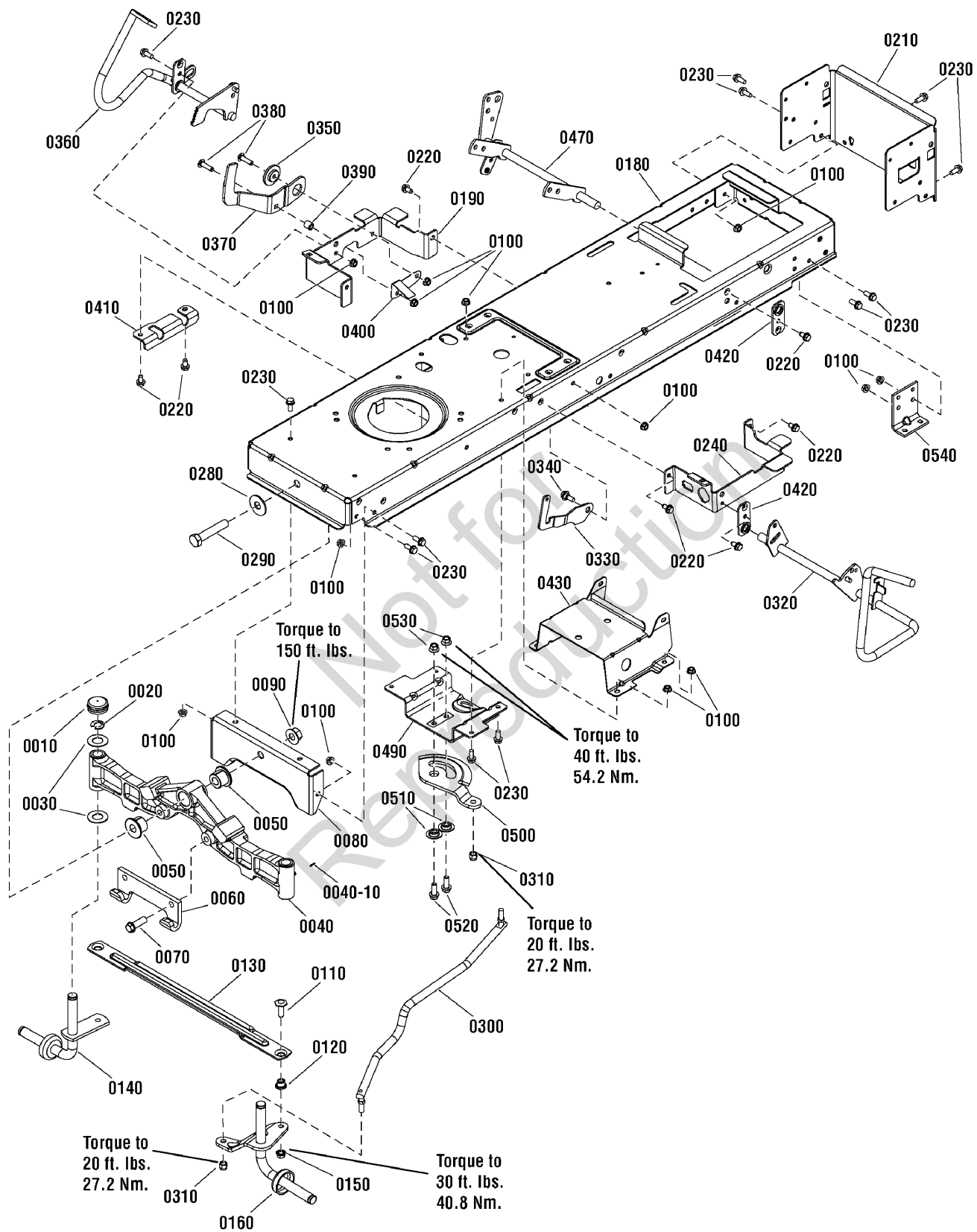
---

Item	Part No	Qty	Description
1	1725024	1	CAP, Steering Wheel, Plain
2	1960576	1	NUT, Hex Lock, ESNA Light, 5/8-18, Thin
3	1924366	1	WASHER, 5/8
4	7078088	1	STEERING WHEEL, w/Aluminum Insert
5	1611710	1	RING, Klipring Extension
6	1960114	2	WASHER
7	1729665	2	BUSHING, Steering
15	1727813	1	SHAFT, Steering Gear & Spline Yellow
16	1738935A	1	TOWER
17	1930601	4	CAPSCREW, Hex Washer Head, Taptite, 5/16-18 x 5/8

Not for  
Reproduction

### Footnotes:

# Frame & Front Axle Group

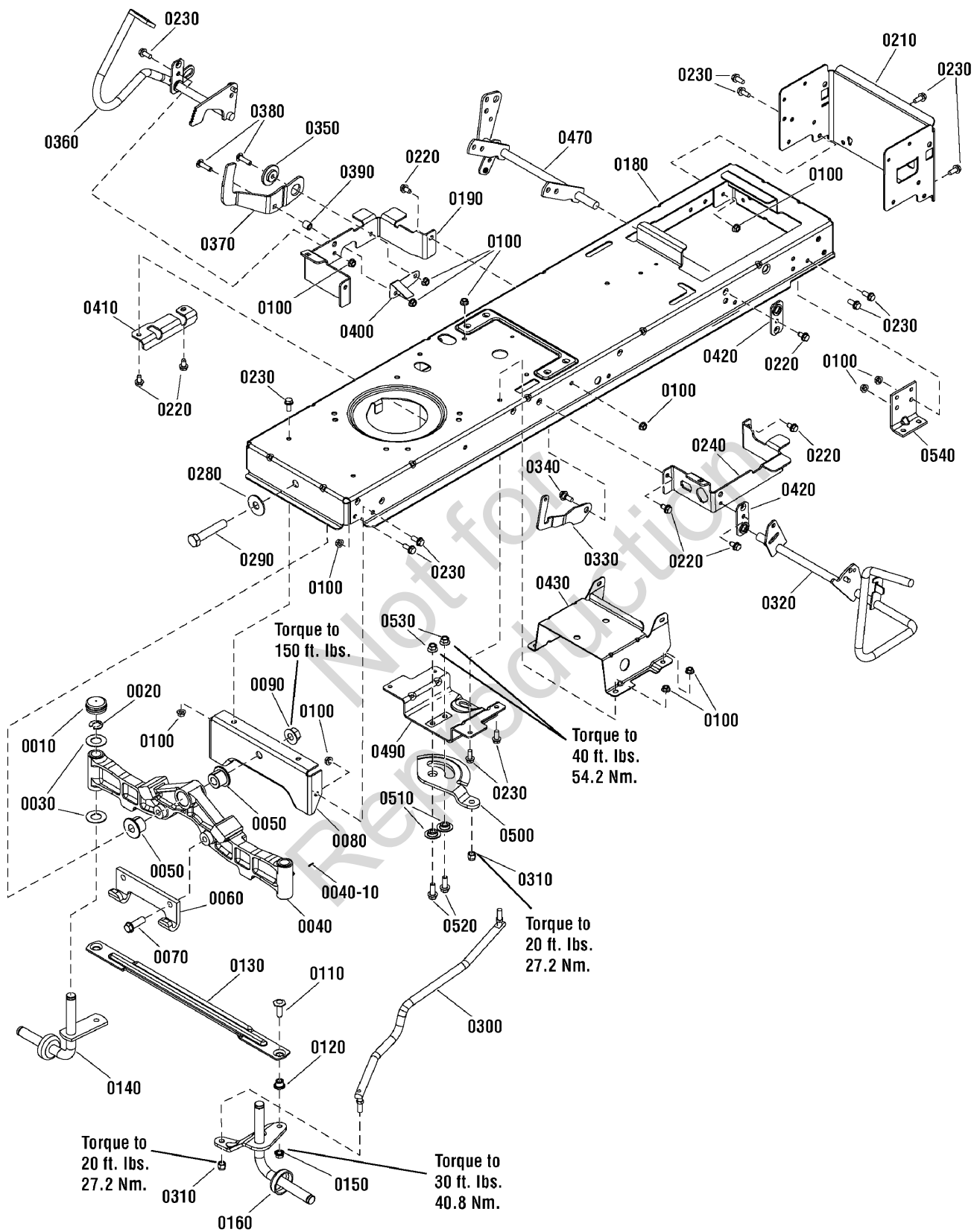


## Frame & Front Axle Group

Item	Part No	Qty	Description
0010	1726504	2	CAP, Hub
0020	1611710	2	RING, Klipring Extension
0030	2860183	4	WASHER, 3/4
0040	1728018	1	AXLE, Front Iron Casting Machined
0040-10	1704314	3	FITTING, Zerk
0050	1730186	2	BUSHING, Axle Pivot Powdered Metal
0060	1721918A	1	HOOK, "J"
0070	1960652	2	CAPSCREW, 7/16-14 x 1.5
0080	1727902A	1	PLATE, Axle Support
0090	2860646	1	NUT, Hex Flange Two-Way Lock, 5/8-11
0100	1931277	16	NUT, Hex, Flange Whizlock, 5/16-18
0120	1731912	2	BUSHING, Powdered Metal
0130	1728080A	1	ROD, Tie
0140	1727872A	1	SPINDLE & CUP ASSEMBLY, RH
0150	1930645	2	NUT, Hex, Flange, Locking, 3/8-16
0160	1727873A	1	SPINDLE & ARM ASSEMBLY, LH
0180	1738937	1	FRAME, 12 GA
0190	1727904A	1	SUPPORT, Front Footrest RH
0210	17368760	1	SUPPORT, Rear Frame
0220	1930601	14	SCREW, Taptite, 5/16-18 x 5/8
0230	1930591	14	CAPSCREW, Hex Head, Flange Whiz Lock, 5/16-18 x 3/4
0240	1727905A	1	SUPPORT, Front Footrest LH
0280	1960035	1	WASHER, Flat, 5/8
0290	2860744	1	CAPSCREW, Hex Head, 5/8-11 x 3-1/4 G5
0300	1727868	1	LINK, Drag
0310	1960747	2	NUT, Hex Nylock 3/8-24
0320	1727252A	1	PEDAL ASSEMBLY, Brake
0110	1960032	2	CAPSCREW, Hex Head, 3/8-16 x 1-1/4, .141 Thread G5
0330	1727269A	1	LATCH, Brake Lock
0340	1729576	1	BOLT, Shoulder, 5/16-18 x 1-1/8
0350	1727935	1	SPACER, Pivot
0360	1727250A	1	PEDAL ASSEMBLY, Forward
0370	1727246A	1	PEDAL, Reverse
0380	1960223	2	BOLT, Carriage, 5/16-18 x 1-1/4
0390	1728024	1	SPACER, Foot Pedal
0400	1728025	1	ACTUATOR, RMO Switch
0410	1727909A	1	BRACKET, Pedal Pivot
0420	1727911A	2	PLATE, Bearing
0430	1727282A	1	SUPPORT, Battery
0470	1737957	1	LIFT SHAFT ASSEMBLY
0490	1727940A	1	BRACKET, Sector Support
0500	1728027	1	GEAR, Steering
0510	1728122	2	SPACER, Sector Gear
0520	1934654	2	CAPSCREW, Hex Flange Whiz Lock, 3/8-16 x 1

### Footnotes:

# Frame & Front Axle Group



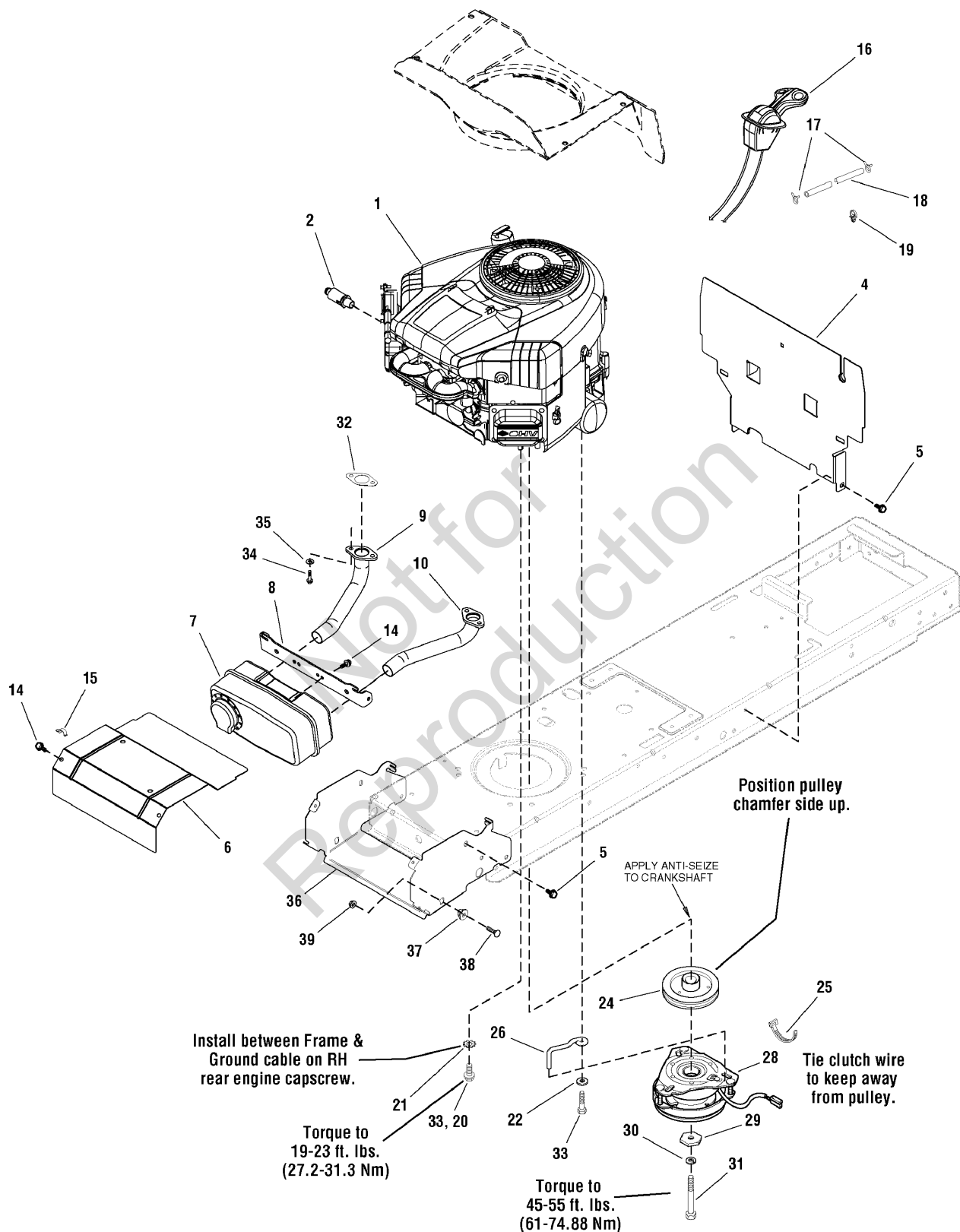
## Frame & Front Axle Group

---

Item	Part No	Qty	Description
0530	1931211	2	NUT, Hex Flange, 3/8-16
0540	1727903	2	SUPPORT, Transmission

Not for  
Reproduction

Footnotes:



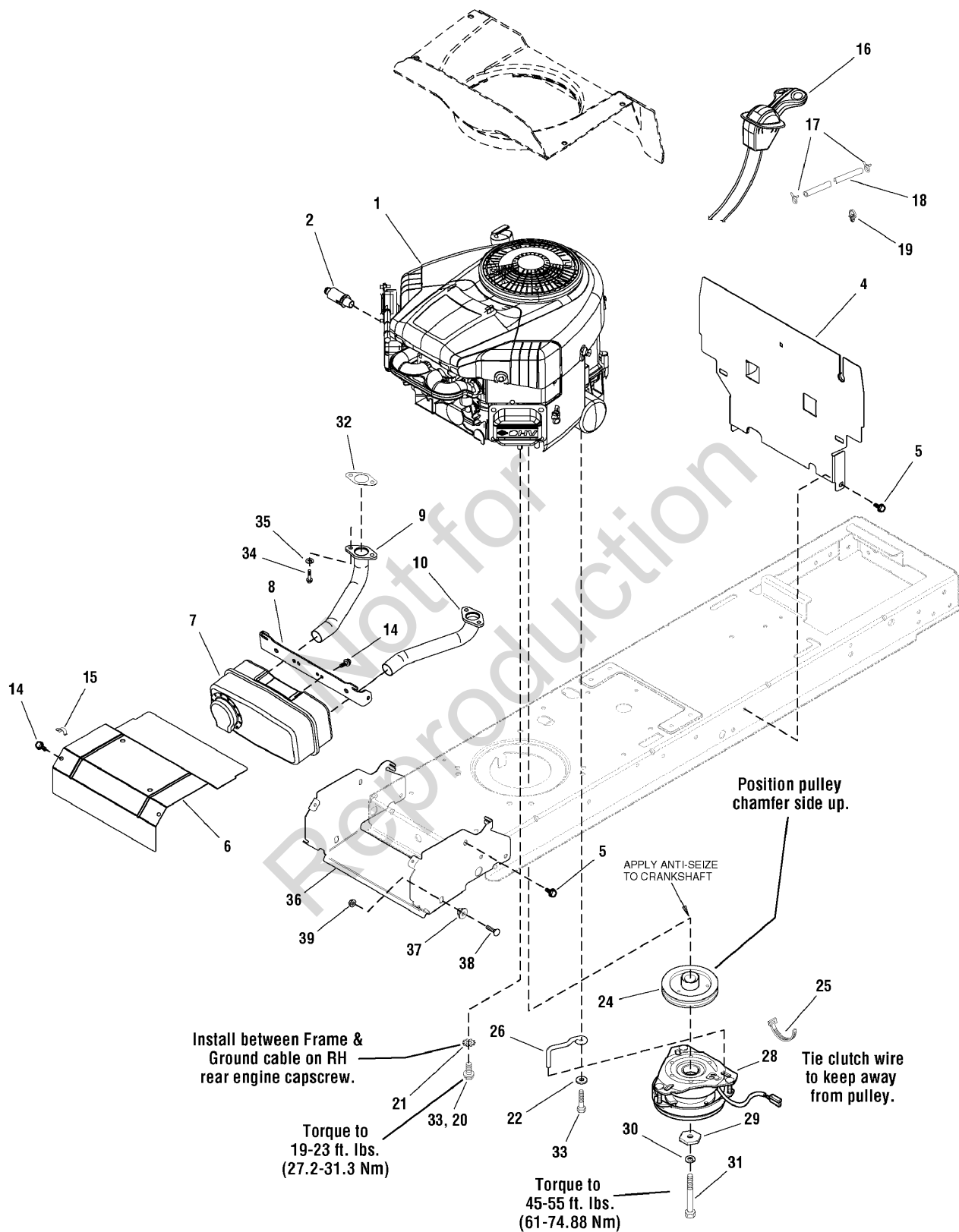


## Engine Group - 23HP

Item	Part No	Qty	Description
1	--	1	* ENGINE, 23HP B&S Twin, Mod. 44L777-0128-B1
2	1717473	1	VALVE, Shut Off Oil Drain
4	1728058A	1	SHIELD, Heat
5	1930601	4	SCREW, Hex Washer Head Taptite 5/16-18 x 5/8
6	1727997A	1	SHIELD, Heat
7	1727994	1	MUFFLER
8	1727976A	1	BRACKET, Muffler Mount
9	1727979	1	PIPE, Exhaust R.H.
10	1727980	1	PIPE, Exhaust L.H.
14	1925003	4	SCREW, Hex Washer Head Taptite 1/4-20 x 1/2
15	2834683	1	CLIP, Speed Wire
16	1734505	1	CONTROL, Throttle (Choke a Matic)
17	93053	2	CLAMP, Hose
18	1734993	1	HOSE, Fuel
19	1730268	2	CLIP, Hose
20	2827187	2	SCREW, Hex Washer Head Taptite 3/8-16 x 1
21	2820427	1	LOCKWASHER, External Tooth 3/8
22	1924940	1	WASHER, 3/8
24	1732576	1	PULLEY & HUB ASSEMBLY, Engine
25	1701011	2	TIE, Self Locking
26	1732875	1	RETAINER, Clutch
28	1736105	1	CLUTCH, Electric OGURA
29	1708264	1	WASHER, Hex
30	1918199	1	LOCKWASHER, Spring
31	1960649	1	CAPSCREW, Hex Head 7/16-20 x 3-1/2 G5
32	1731214	1	GASKET, Exhaust
33	2828635	1	SCREW, Hex Washer Head Taptite 3/8-16 x 1-1/4
34	94480	2	CAPSCREW, Hex Socket Head 5/16-18 x 3/4 G8
35	1917356	2	LOCKWASHER, Spring, 5/16
36	1727982A	1	SUPPORT, Muffler
37	1728086	2	PIVOT, Hood
38	1931335	2	BOLT, Carriage, 5/16-18 x 1
39	1931277	2	NUT, Hex Flange, 5/16-18

### Footnotes:

NOTE\* Purchase engine parts from engine manufacture dealer.

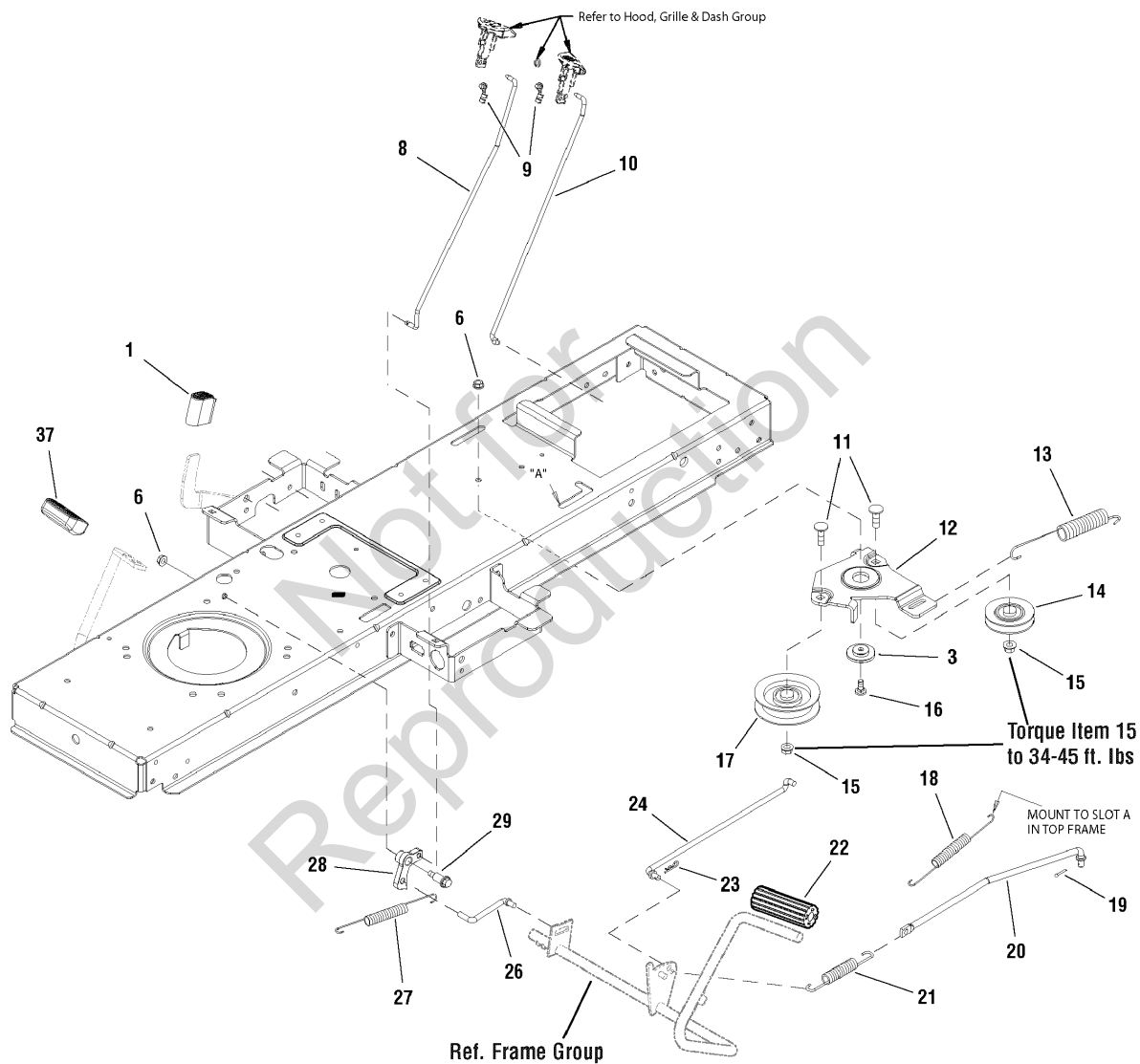


## Engine Group - 24HP

Item	Part No	Qty	Description
1	--	1	* ENGINE, 24HP B&S Twin, Mod. 44M777-0139-B1
2	1717473	1	VALVE, Shut Off Oil Drain
4	1728058A	1	SHIELD, Heat
5	1930601	4	SCREW, Hex Washer Head Taptite 5/16-18 x 5/8
6	1727997A	1	SHIELD, Heat
7	1727994	1	MUFFLER
8	1727976A	1	BRACKET, Muffler Mount
9	1727979	1	PIPE, Exhaust R.H.
10	1727980	1	PIPE, Exhaust L.H.
14	1925003	4	SCREW, Hex Washer Head Taptite 1/4-20 x 1/2
15	2834683	1	CLIP, Speed Wire
16	1734505	1	CONTROL, Throttle (Choke a Matic)
17	93053	2	CLAMP, Hose
18	1734993	1	HOSE, Fuel
19	1730268	2	CLIP, Hose
20	2827187	2	SCREW, Hex Washer Head Taptite 3/8-16 x 1
21	2820427	1	LOCKWASHER, External Tooth 3/8
22	1924940	1	WASHER, 3/8
24	1732576	1	PULLEY & HUB ASSEMBLY, Engine
25	1701011	2	TIE, Self Locking
26	1737421A	1	GUIDE, Belt, Long
28	1736105	1	CLUTCH, Electric OGURA
29	1708264	1	WASHER, Hex
30	1918199	1	LOCKWASHER, Spring
31	1960649	1	CAPSCREW, Hex Head 7/16-20 x 3-1/2 G5
32	1731214	1	GASKET, Exhaust
33	2828635	1	SCREW, Hex Washer Head Taptite 3/8-16 x 1-1/4
34	94480	2	CAPSCREW, Hex Socket Head 5/16-18 x 3/4 G8

### Footnotes:

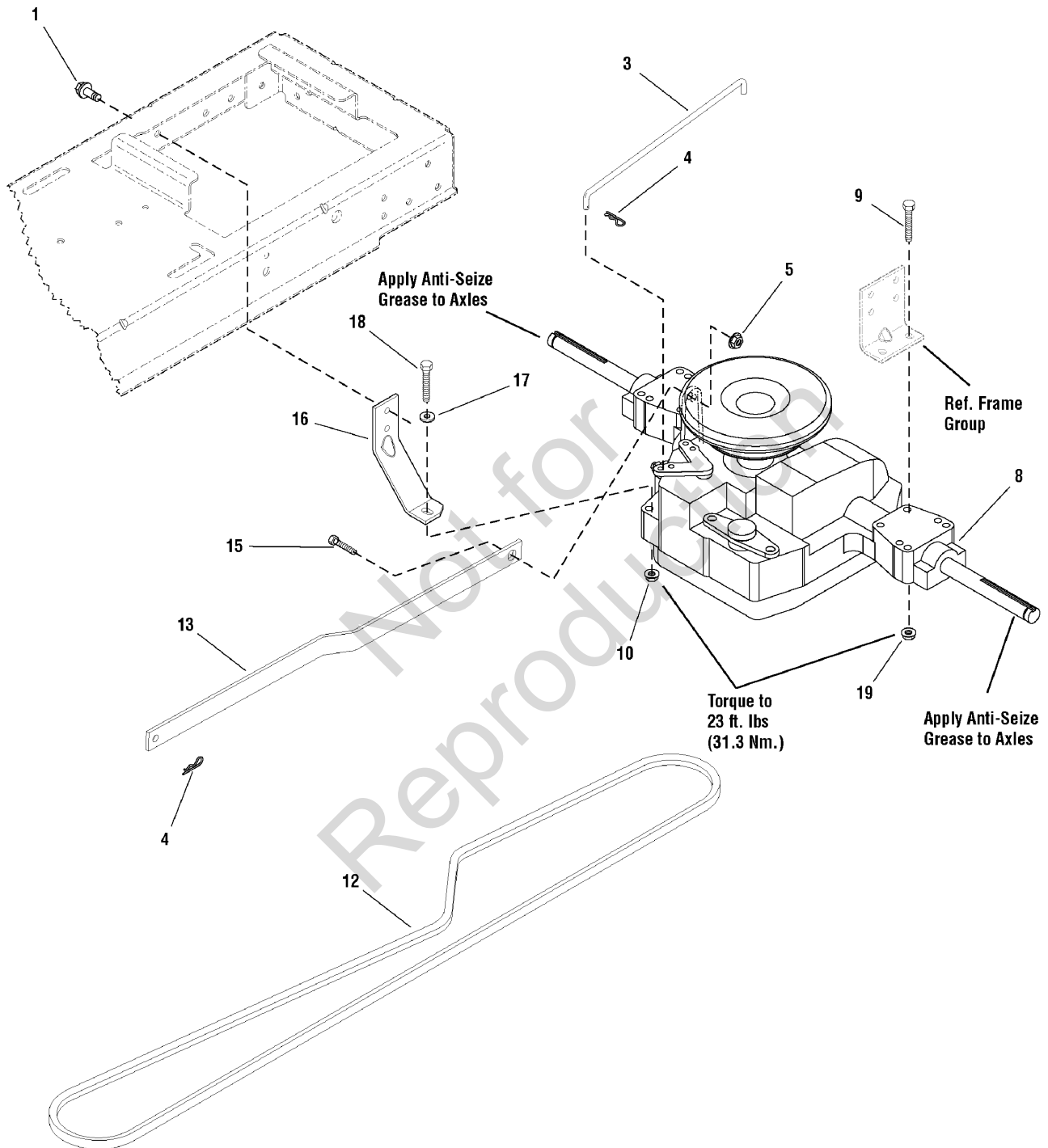
NOTE\* Purchase engine parts from engine manufacture dealer.



## Controls Group

Item	Part No	Qty	Description
1	1727259	1	PAD, Foot Pedal Reverse
3	1727935	2	SPACER, Pivot Powdered Metal
6	1931277	6	NUT, Hex, Flange Whizlock, 5/16-18
8	1727898	1	ROD, Cruise Latch, 16.97LG
9	1728111	2	CLIP, Linkage, Black
10	1727267	1	ROD, Parking Brake, 16.38 LG Yellow
11	1960268	2	BOLT, Carriage, 3/8-16 x 1-1/4
12	1727894A	1	BRACKET, Idler 7GA
13	1729620	1	SPRING, Extension 07.52 LG Black
14	1728001	1	PULLEY, 3 OD Plastic
15	1960687	2	NUT, Hex Flange, 3/8-16 ESNA
16	1931335	1	BOLT, Carriage, 5/16-18 x 1
17	1728000	1	PULLEY, Idler
18	1721995	1	SPRING, Extension
19	1918447	1	PIN, Cotter 3/32 x 3/4
20	1727253	1	ROD, Brake, 15.1 LG
21	1731262	1	SPRING, Extension 05.37 LG Black
22	1727261	1	PEDAL, Brake Rubber
23	1722460	1	PIN, Quick
24	1727254	1	ROD, Brake Return, 12.60 LG
26	1727899	1	ROD, Cruise Latch, 2.83 LG
27	2159181	1	SPRING, Tension, Clutch
28	1727897	1	LATCH, Cruise Powdered Metal
29	1728976	1	BOLT, Shoulder 5/16-18 G5
37	1721675	1	PAD, Foot Pedal Forward

### Footnotes:



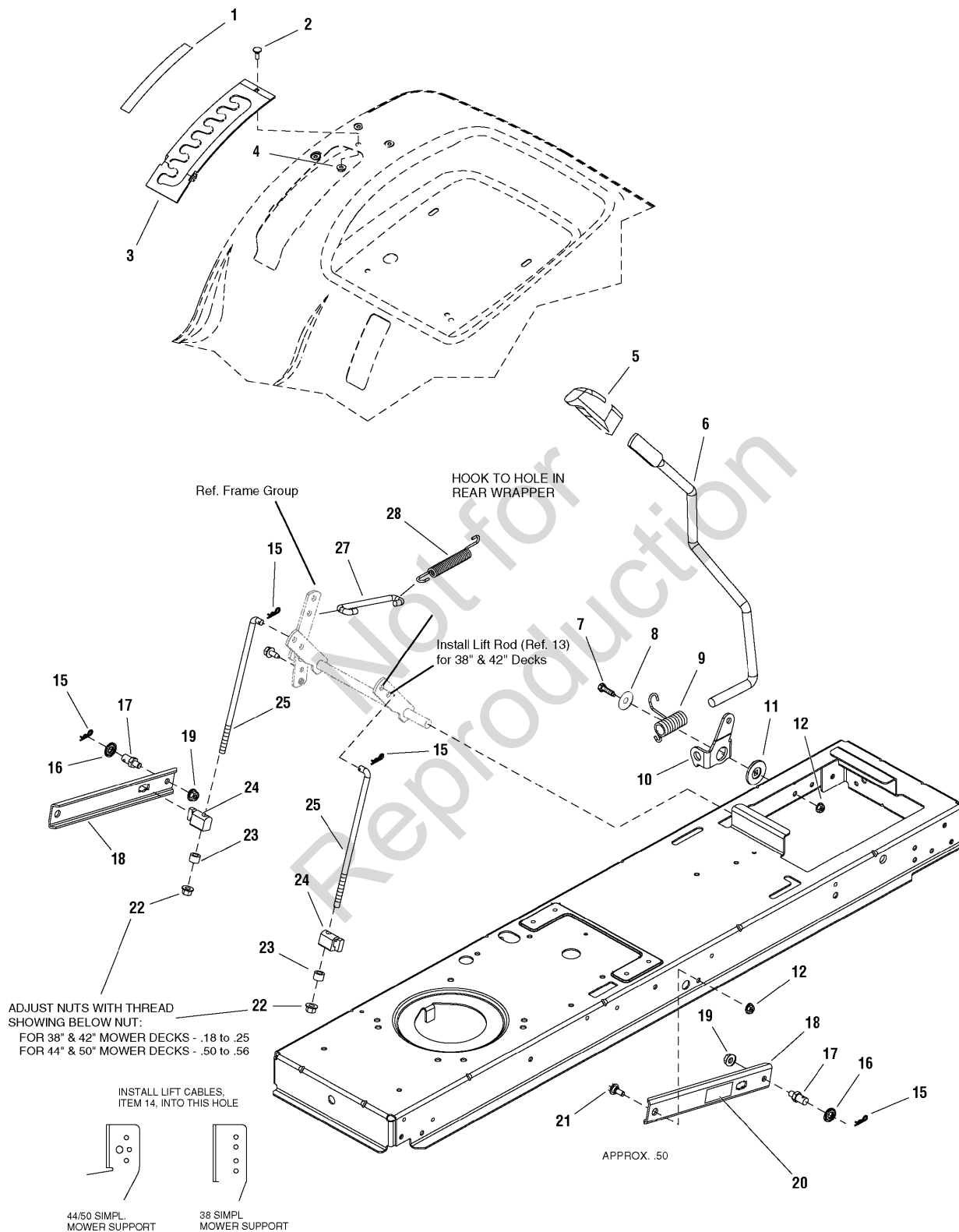
## Transmission Group

---

Item	Part No	Qty	Description
1	1664847	1	CAPSCREW, Hex Head, Taptite, 5/16-18 x 3/4
3	1728120	1	ROD, Bypass, 11.44 LG Yellow
4	1722460	2	PIN, Quick
5	1960686	1	NUT, Hex Flange, 5/16-18 ESNA
10	1960686	1	NUT, Hex Flange, 5/16-18 ESNA
12	1728008	1	V-BELT, Drive Belt, Aramid/Kevlar
13	1727258A	1	ARM, Control 7 GA
15	1729576	1	BOLT, Shoulder 5/16-18 G5
16	1728043A	1	STRAP, Torque 7 GA
17	1919381	1	WASHER, Plain, 5/16
18	1922127	1	CAPSCREW, Hex Head, 5/16-18 x 1-3/4
19	1931277	8	NUT, Hex, Flange Whizlock, 5/16-18

Not for  
Reproduction

### Footnotes:



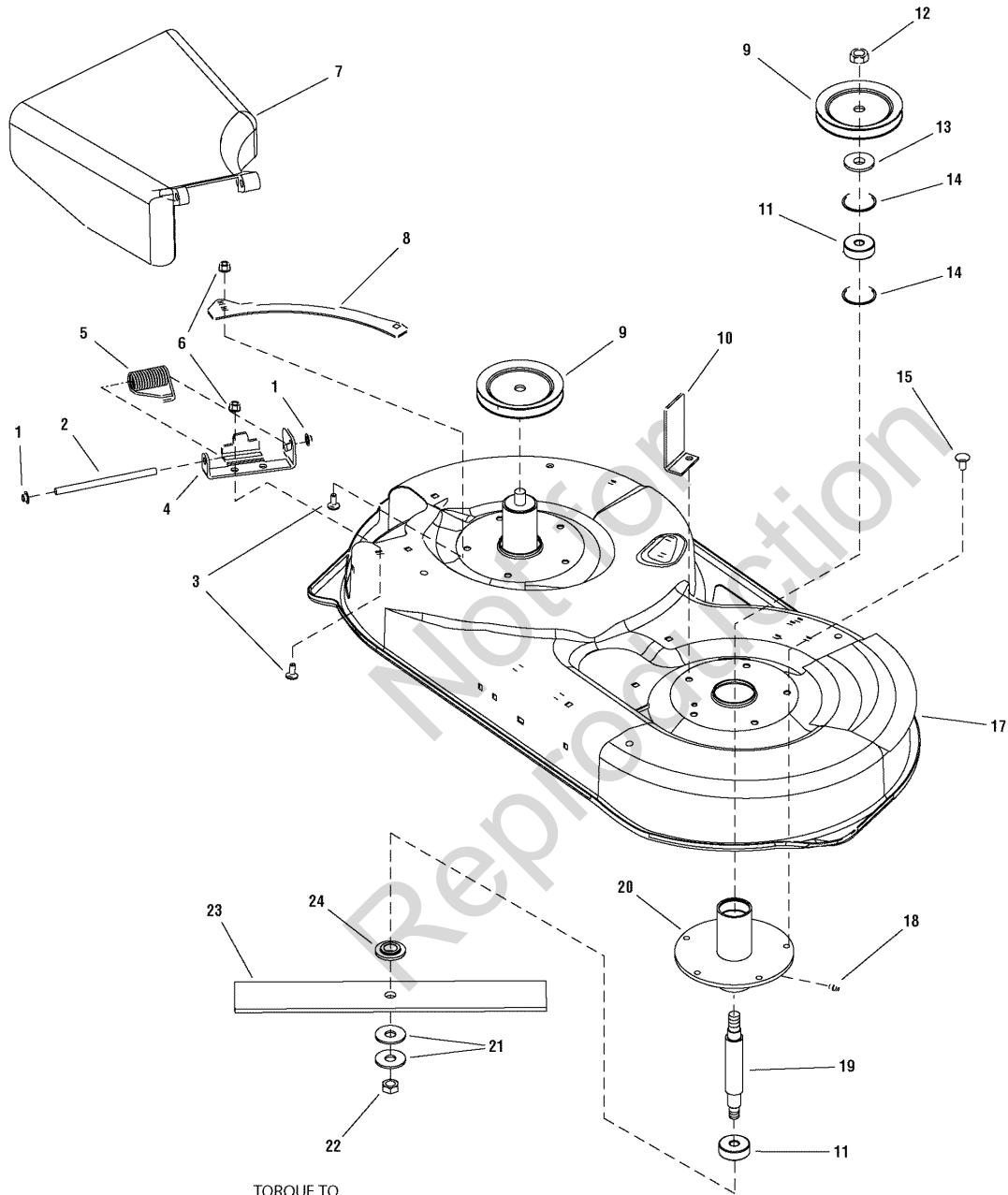


## Lift Group - Manual

Item	Part No	Qty	Description
1	1730264	1	DECAL, Height Of Cut
2	1960252	1	CARRIAGE BOLT, 1/4-20 x 5/8 G5
3	1727985A	1	QUADRANT, Lift Height 12GA
4	1930641	1	NUT, Hex Flange Whiz, 1/4-20
5	1722302	1	GRIP
6	1728070	1	ROD, Lift Handle E-Coat, 17.7 LG
7	1921333	1	CAPSCREW, Hex Head, 5/16-18 x 1
8	1960044	1	WASHER, Plain, 21/64 x 1-1/4
9	1729652	1	SPRING, Torsion, 2.12 LG Black
10	1728990A	1	CLEVIS, Lift 7GA
11	1727935	1	SPACER, Pivot 0.330ID 1.76OD .37TH Powdered Metal
12	1931277	3	NUT, Hex, Flange Whizlock, 5/16-18
15	1960074	4	CLIP, Spring
16	1960170	2	WASHER, 1/2
17	721221	2	PIN, Threaded Shoulder
18	1731417A	2	ARM, Lift Rear 10GA
19	1928352	2	NUT, Hex, Flange, Whizlock, 5/16-18 x 1/2
20	1732070	2	DECAL, CAUTION! Pinch Point
21	1732426	2	BOLT, Shoulder
22	1960687	2	NUT, Hex Flange, 3/8-16 ESNA
23	1666294	2	SPACER
24	1731894	2	TRUNNION, Powdered Metal
25	1727955	2	ROD, Lower Life, 10.00 LG
27	1727954	1	ROD, Lift, 5.43 LG
28	1731939	1	SPRING, Extension 5.10 LG Black

### Footnotes:

# 42" Housing, Arbor & Blades Group



TORQUE TO  
80-90 FT/LBS  
108.8-122.4 Nm

## 42" Housing, Arbor & Blades Group

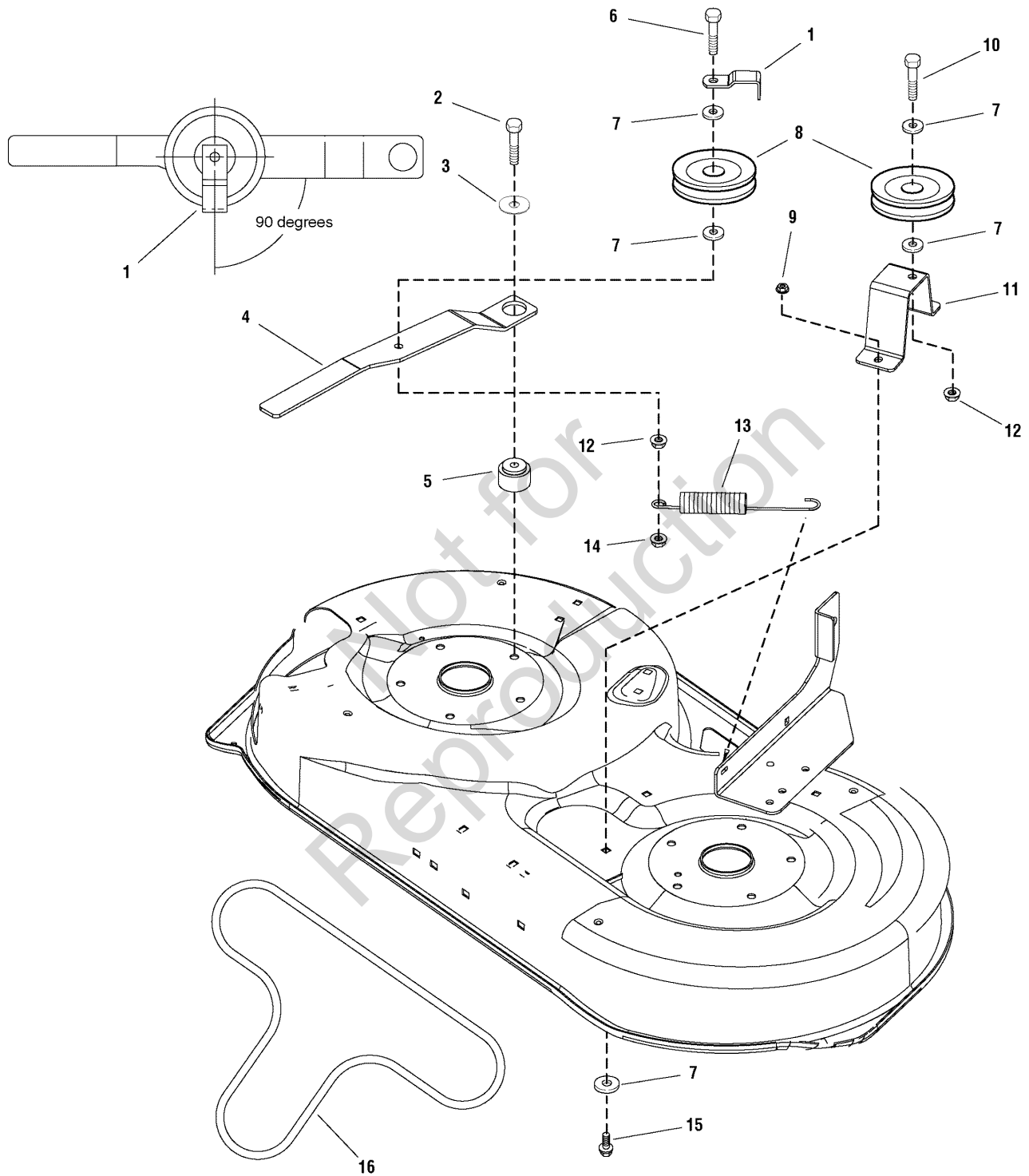
---

Item	Part No	Qty	Description
1	1960093	2	NUT, Push, 3/8
2	721371	1	ROD, Deflector
3	1931333	6	BOLT, Carriage, 5/16-18 x 3/4
4	721369A	1	BRACKET, Hinge 9 GA
5	720154	1	SPRING, Torsion
6	1931277	6	NUT, Hex, Flange Whizlock, 5/16-18
7	721339	1	DEFLECTOR & SUPPORT ASSEMBLY, Chute Riveted
8	721083A	2	PLATE, Rear
9	1732354	2	PULLEY, 5.50, .68" Deep-Groove
10	1731209A	1	UPSTOP, "L" 10GA
11	2108202	2	BEARING, Upper
12	1922014	2	NUT, Hex Lock, ESNA Light, 5/8-18, Thin
13	7072440	2	SPACER, Pulley, 38" Deck
14	7012491	2	RETAINING RING, Extension, 1-3/4
15	1923683	10	SCREW, Hex, Washer Head, Taptite, 3/8-16 x 3/4
17	1730100D	1	HOUSING, 42"
18	1704314	1	FITTING, Grease
19	7072537	1	SHAFT, Spindle, 38" Deck
20	1731372A	2	TUBE & PLATE ASSEMBLY, Spindle
21	7024467	4	WASHER, Belleville
22	7091633	2	NUT, Hex 9/16-18
23	1731898A	2	BLADE, Mower 42"
24	1731917	2	WASHER, Spindle Blade Powdered Metal

Not for  
Reproduction

### Footnotes:

# 42" Mower Deck - Belt, Idler Arm & Hitch Group



## 42" Mower Deck - Belt, Idler Arm & Hitch Group

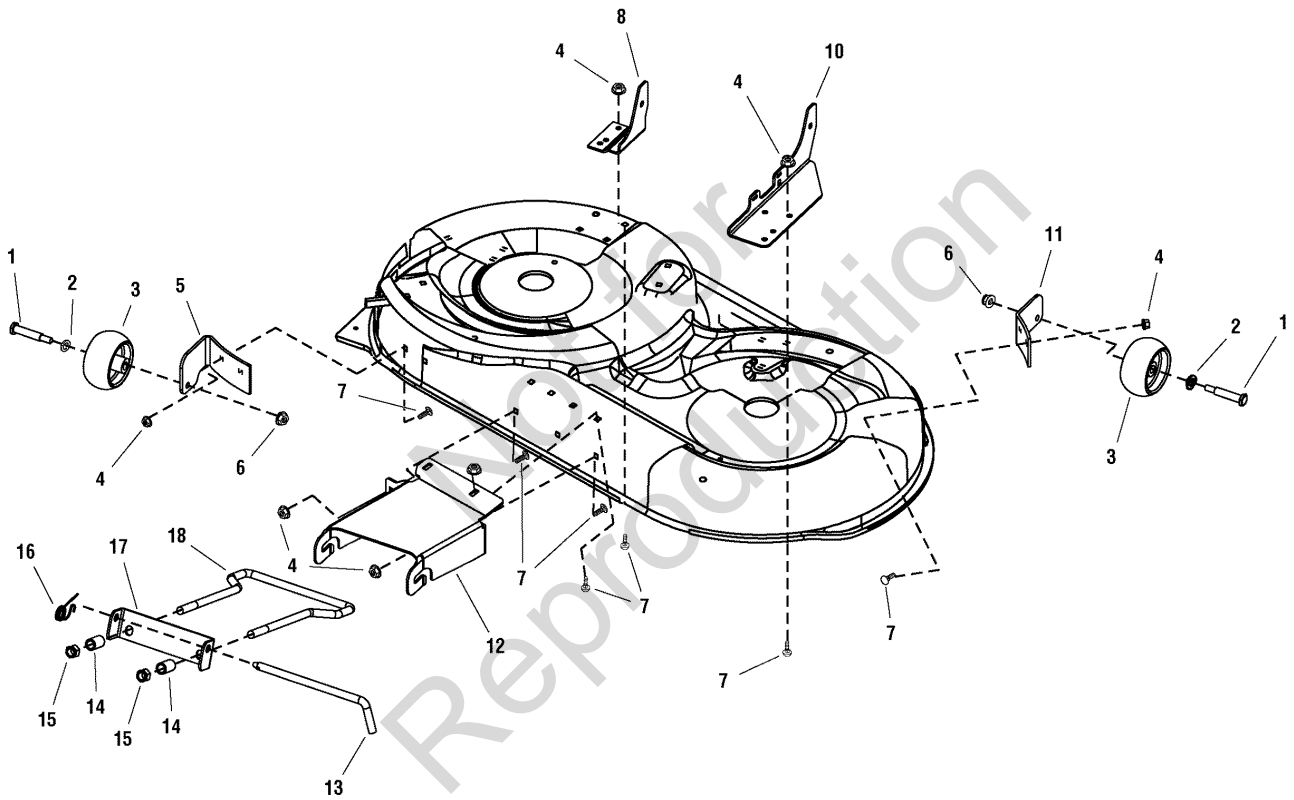
---

Item	Part No	Qty	Description
1	1732884A	1	GUARD, Spring
2	2860361	1	CAPSCREW, Hex Washer Head, Taptite, 3/8-16 x 2
3	1924356	1	WASHER, Plain, 13/32 x 1-1/2 x 1/8
4	1731944A	1	ARM
5	1729007	1	SPACER, 0.387 ID x 1-1/2 OD x 1.04 LG Powdered Metal
6	1922130	1	CAPSCREW, Hex Head, 3/8-16 x 2-1/4
7	1922755	4	WASHER, 3/8
8	7018574	2	IDLER, Flat
9	1931277	2	NUT, Hex, Flange Whizlock, 5/16-18
10	1921971	1	CAPSCREW, Hex Head, 3/8-16 X 1-3/4
11	1731911A	1	SUPPORT, Idler
12	1931211	2	NUT, Whizlock, 3/8-16
13	1731311	1	SPRING, Extension 07.75 LG Black
14	1930645	1	NUT, 3/8-16, Hex Flange MAC Locking Large, Black
15	1923325	2	CAPSCREW, Hex Head, 5/16-18 x .88
16	1732955	1	V-BELT, 94.45 LG A-Wedge Aramid, .44" Deep-Groove

Not for  
Reproduction

### Footnotes:

## 42" Mower Deck - Height Adjustment & Roller Bar Group



## 42" Mower Deck - Height Adjustment & Roller Bar Group

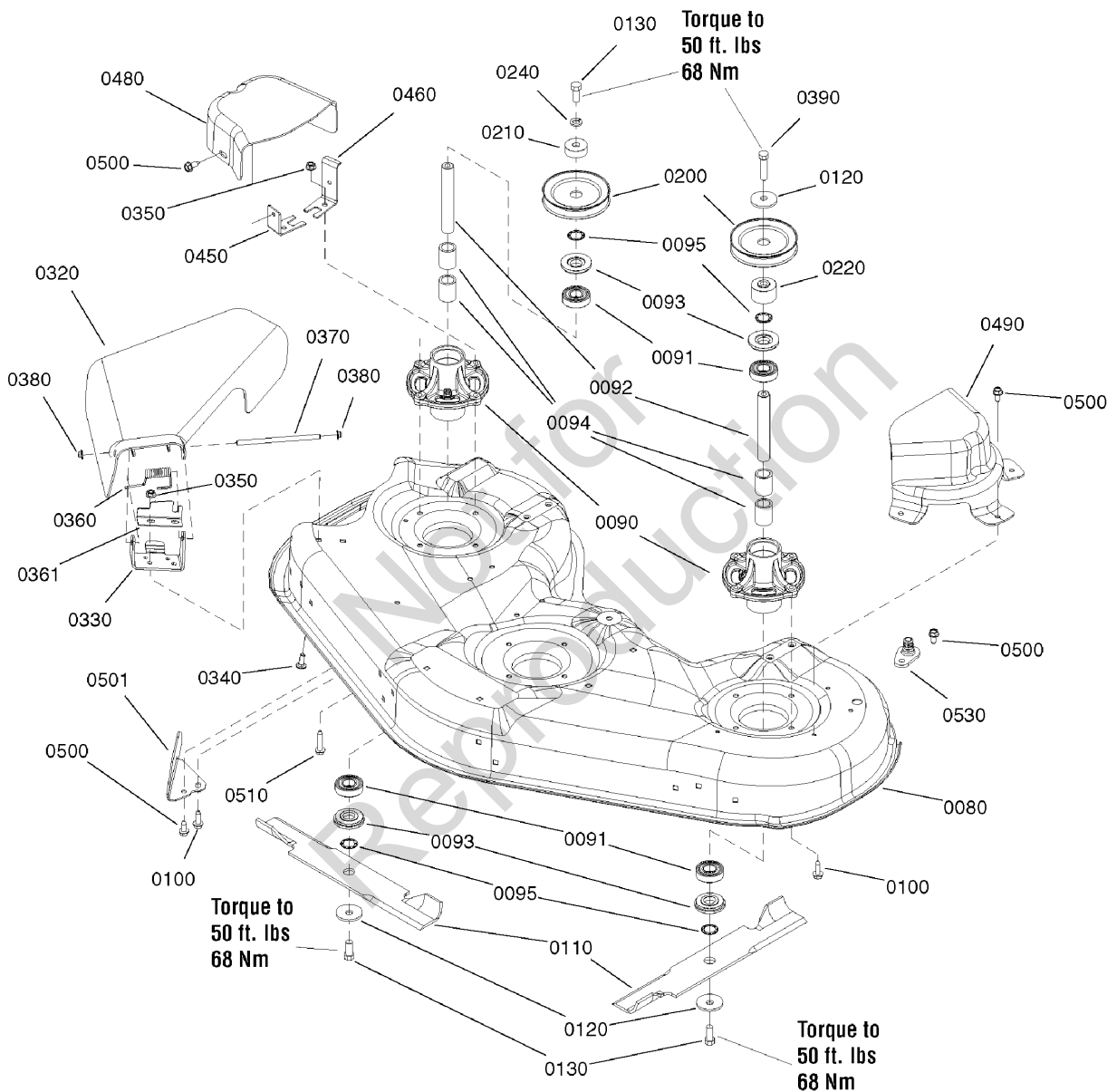
---

Item	Part No	Qty	Description
1	2108765	2	BOLT, Rear Wheel
2	1960170	2	WASHER, 1/2
3	1714760	2	WHEEL, Gauge
4	1931277	11	NUT, Hex, Flange Whizlock, 5/16-18
5	1731402A	1	SUPPORT, Gauge Wheel RH 7 GA
6	1960687	2	NUT, Hex Flange, 3/8-16 ESNA
7	1931333	11	BOLT, Carriage, 5/16-18 x 3/4
8	1730072D	1	SUPPORT, Mower RH
10	1730071D	1	SUPPORT, Mower LH
11	1731403A	1	SUPPORT, Gauge Wheel LH 7 GA
12	1731966D	1	HITCH, Front 42" Mower
13	1731414	1	PIN, Hitch
14	1679166	2	SPACER, .532 ID x 3/4 OD x 1-1/4 LG Yellow
15	1960379	2	NUT, ESNA, Lock, 1/2-13 (Thin)
16	2176012	1	CLIP, Pin, Safety
17	1730221A	1	HANGER, Front Mower
18	1730097	1	ROD, Bail Mowers Yellow

Not for  
Reproduction

### Footnotes:

# 46" Mower Deck - Housing, Arbor & Blades Group



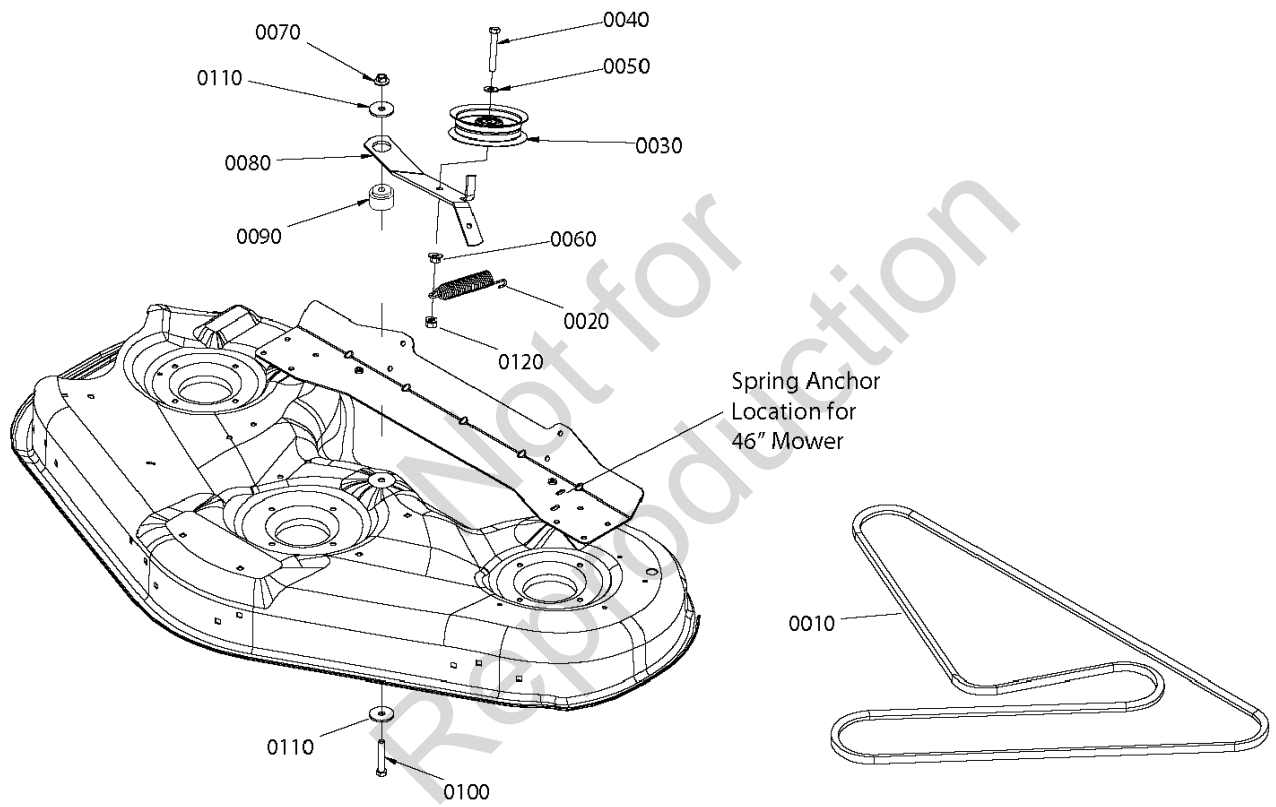


## 46" Mower Deck - Housing, Arbor & Blades Group

Item	Part No	Qty	Description
0080	1735734D	1	HOUSING, 46" MOWER
0090	1735573	3	HOUSING, SPINDLE, CAST ALUM MACH'D W/FTG
0091	1735399	6	BEARING, BALL 20MM 46" MWR
0092	1735326	3	SHAFT, SPINDLE 20MM DIA 134.60MM LG
0093	1735323	6	SHIELD, ARBOR 2.050OD 46" MWR
0094	1735328	6	SPACER, BEARING PWDR MTL 46" MWR
0095	1960766	6	RING, SELF LOCKING 46" MWR
0100	1960373	10	CAPSCREW, Hex Washer Head Taptite, 5/16-18X1.0 BLK
0110	1739889	3	BLADE, MOWER 16.13" LG 46" MWR
0120	1656916	4	WASHER, SPRING 0.475IDX1.75ODX.156TH BLK
0130	1920676	5	CAPSCREW, HEX HD 7/16-14X1.000 G5 BLK
0200	1735686	3	PULLEY, 4.6 OD 11GA SPLIT 46" MWR
0210	1735579	2	SPACER, LOWER DRIVE 46" MWR
0220	1736445	1	SPACER, PULLEY P'MTL 46" MWR ZTR
0240	1918199	2	LOCKWSHER, SPRING .438 BLK
0320	1735447	1	DEFLECTOR, DISCH PLASTIC 46/52 DECKS
0330	1736365A	1	PIVOT, HINGE
0340	1931333	2	BOLT, RD HD SH SQ NK 5/16-18X0.750 G5 BLK
0350	1931277	4	NUT, HEX FLANGE 5/16-18, WHIZ LK SM, BLK
0360	1736364	1	SPRING, TORS DEFLECTOR 2.16LG 46" MWR
0361	1737359A	1	SHIELD, HINGE
0370	1736366	1	ROD, DEFLECTOR, YELLOW ZINC
0380	7012542	2	NUT, PUSH, 5/16 BZ
0390	1923027	1	CAPSCREW, HEX HD 7/16-14X1.750 G5 BLK
0450	1736518A	1	BRKT, BELT COVER, FRONT
0460	1736519A	1	BRKT, BELT COVER, REAR
0480	1735752	1	COVER, BELT BLACK POLY RH 46 + 52" MWRS
0490	1735750	1	COVER, BELT LH BLACK PLASTIC 46" MOWER
0500	1664847	7	CAPSCREW, Hex Washer Head Taptite, 5/16-18X0.750 BLK
0501	1737279A	1	BAFFLE, PINCHOFF
0510	1930600	2	CAPSCREW, Hex Washer Head Taptite, 5/16-18X1.500 BLK
0520	1736898	1	WASHOUT PORT-CONNECTOR 46+52" BLK POLY
0530	1735716	1	ADAPTER, WASHOUT PORT 46+52" PLASTIC

### Footnotes:

# 46" Mower Deck - Clutch Group



## 46" Mower Deck - Clutch Group

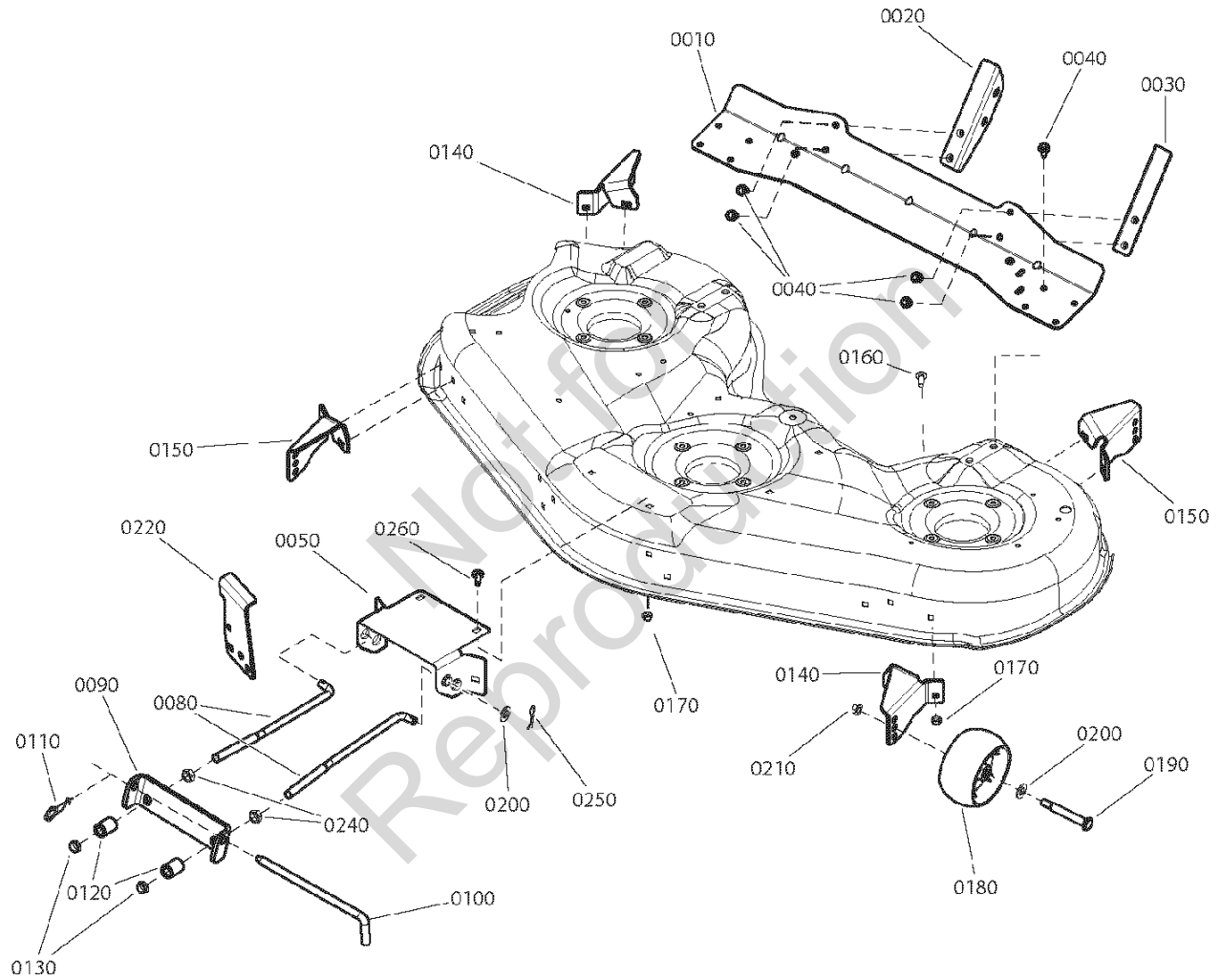
---

Item	Part No	Qty	Description
0010	1732956	1	V-BELT, HA 118.00 LG A-WEDGE ARAMID
0020	1715772	1	SPRING, EXTN 0.987ODX 05.25 LG .112 WIRE
0030	1736540	1	PULLEY, IDLER 46, 52" MWRS
0040	1933685	1	CAPSCREW, HEX HD 3/8-16X2.500 G5 FT BLK
0050	1924940	1	WASHER, 0.375(0.41IDX0.87ODX.08THK) BLK
0060	1931211	1	NUT, HEX FLANGE 3/8-16 WHIZ LK SMALL BLK
0070	1960339	1	NUT, HEX FLANGE 3/8-16 MAC LK LARGE BLK
0080	1736551A	1	ARM, IDLER
0090	1729007	1	SPACER, 0.387IDX1.50 ODX1.04 LG PM YELLOW
0100	1923701	1	CAPSCREW, HEX HD 3/8-16X2.000 G5 BLK
0110	1924356	2	WASHER, 0.375(0.41IDX1.50ODX.12THK) BLK
0120	7091585	1	NUT, Center Lock, 3/8-16 YZ

Not for  
Reproduction

### Footnotes:

# Height Adjust Group - Frame Hung Mower

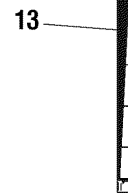
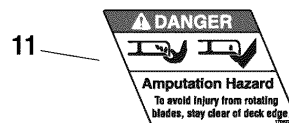
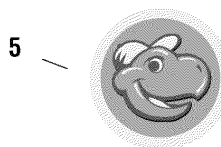
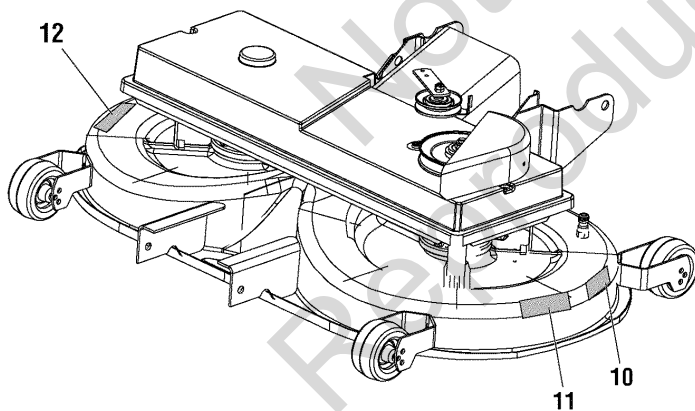
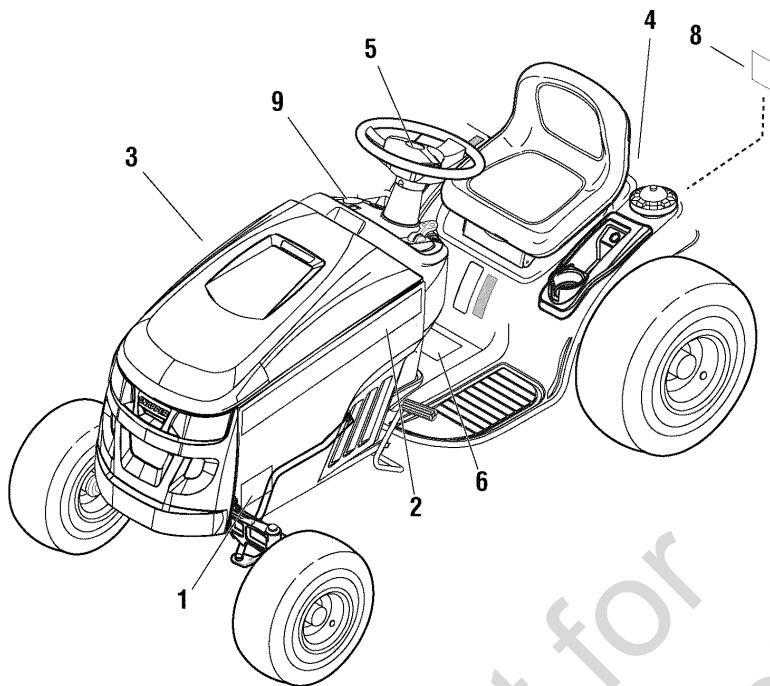


## Height Adjust Group - Frame Hung Mower

Item	Part No	Qty	Description
0010	1736070A	1	SUPPORT, REAR CROSS
0020	1736072A	1	BRKT, REAR MOWER PICKUP, TRACTOR
0030	1736073A	1	BRKT, REAR MOWER PICKUP, TRACTOR
0040	1960373	6	CAPSCREW, Hex Washer Head Taptite, 5/16-18X1.00 BLK
0050	1736071A	1	HITCH, FRONT, 46 / 52 MOWER
0080	1736081	2	ROD, FRONT BAIL 46,52" MWR
0090	1737059A	1	HANGER, FRONT MOWER
0100	1731414	1	ROD, LATCH .500DIA 9" LG 42" BLD REG YEL
0110	2176012	1	RETAINER, PIN SPRING FOR .312/.375PIN BLK
0120	1679166	2	SPACER, 0.520ID 0.88 OD 1.185LG P MTL, YEL
0130	1960379	2	NUT, HEX LOCK ESNA LIGHT 1/2-13 THIN BLK
0140	1736074A	2	BRKT, GAUGE WHEEL, RH
0150	1736075A	2	BRKT, GAUGE WHEEL, LH
0160	1931334	13	BOLT, RD HD SH SQ NK 5/16-18X0.875 G5 BLK
0170	1931277	13	NUT, HEX FLANGE 5/16-18, WHIZ LK SM, BLK
0180	1736896	4	WHEEL, GAUGE BLACK POLY 5" DIA
0190	1736539	4	BOLT, SHLDR 3/8-16X3.41 .750 THRD YELLOW
0200	1960170	6	WASHER, 0.500(0.51IDX1.00ODX.10THK) BLK
0210	1960687	4	NUT, HEX FLANGE 3/8-16 ESNA BLK
0220	1736991A	1	UP STOP
0240	1913744	2	NUT, HEX JAM 1/2 JAM 1/2-13 NC-2B BLK
0250	1960074	2	CLIP, HAIR PIN .093DIA SPG WR1.625 LG
0260	1931333	2	BOLT, Carriage 5/16-18X.750 G5 Blk

### Footnotes:

Decals Group - 42" Deck



## Decals Group - 42" Deck

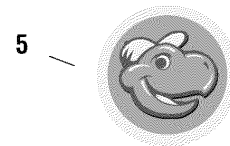
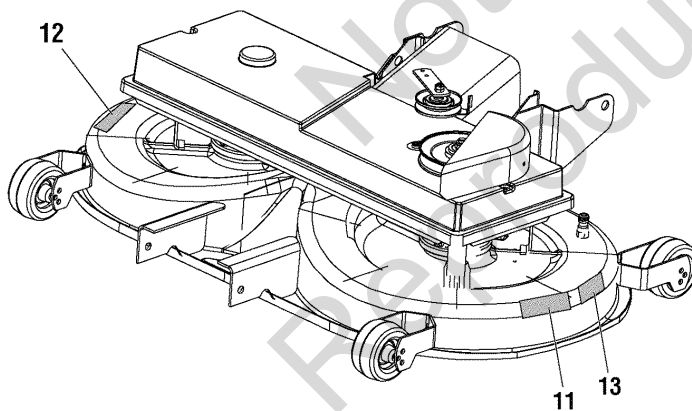
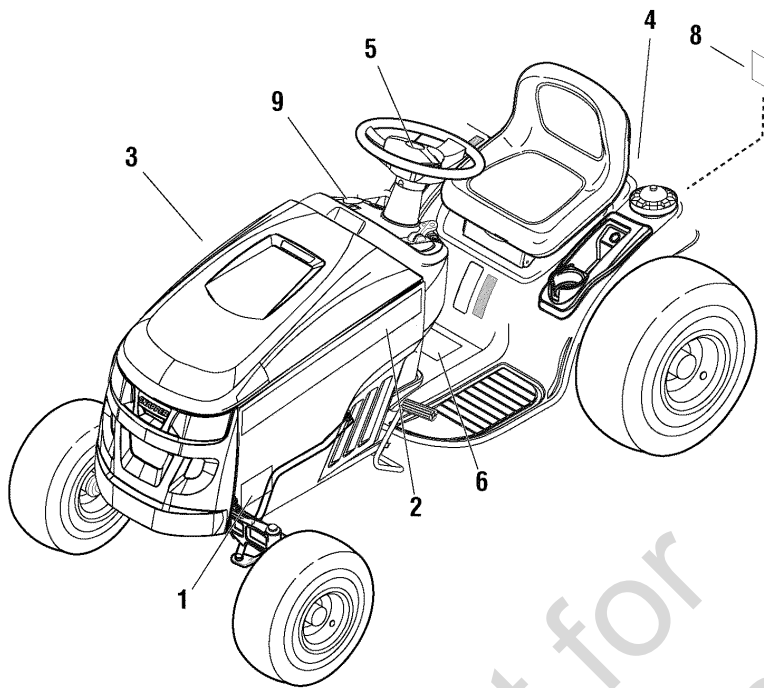
---

Item	Part No	Qty	Description
1	1736870	2	DECAL, 23HP Snapper
2	7102192	1	DECAL, Snapper LH Stripe
3	7102191	1	DECAL, Snapper RH Stripe
4	7102196	1	DECAL, Snapper Rear
5	1736872	1	DECAL, Snapper Steering Wheel
6	1734879	1	DECAL, Tunnel
8	1730202	1	DECAL, Trans/Tow Release Lever
9	1722806	1	DECAL, Ignition Switch White/Blk
10	7102194	1	DECAL, 42" Deck
11	1704276	2	DECAL, Danger Blades
12	1704277	1	DECAL, Danger, Do No Operate without Deflector
13	1730264	1	DECAL, Mower Height

Not for  
Reproduction

### Footnotes:

# Decals Group - 46" Deck





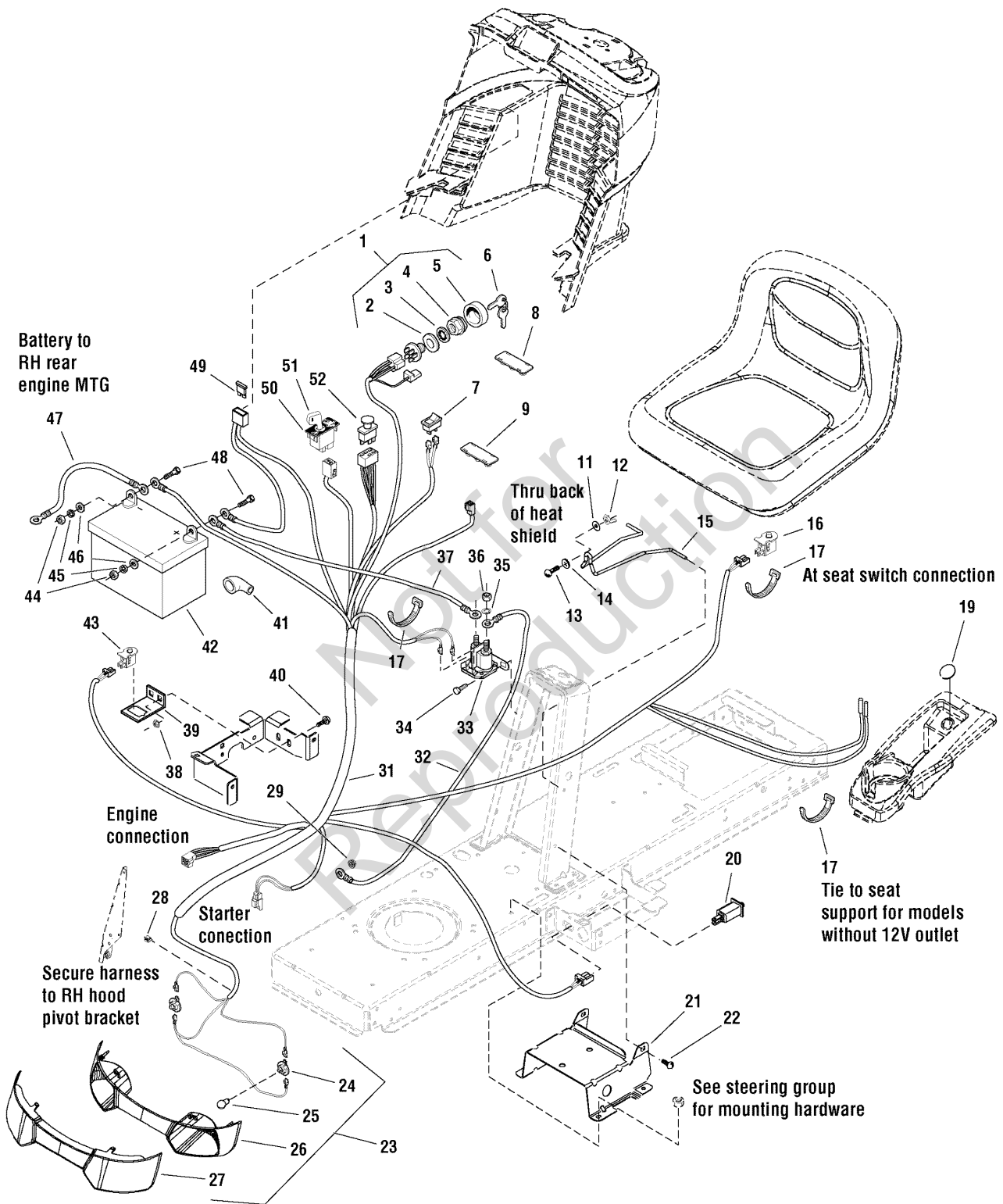
## Decals Group - 46" Deck

---

Item	Part No	Qty	Description
1	1736871	2	DECAL, 24HP Snapper
2	7102192	1	DECAL, Snapper LH Stripe
3	7102191	1	DECAL, Snapper RH Stripe
4	7102196	1	DECAL, Snapper Rear
5	1736872	1	DECAL, Snapper Steering Wheel
6	1734879	1	DECAL, Tunnel
8	1730202	1	DECAL, Trans/Tow Release Lever
9	1722806	1	DECAL, Ignition Switch White/Blk
11	1704276	2	DECAL, Danger Blades
12	1704277	1	DECAL, Danger, Do No Operate without Deflector
13	7102193	1	DECAL, Decal, 46" Deck (Not Shown)

Not for  
Reproduction

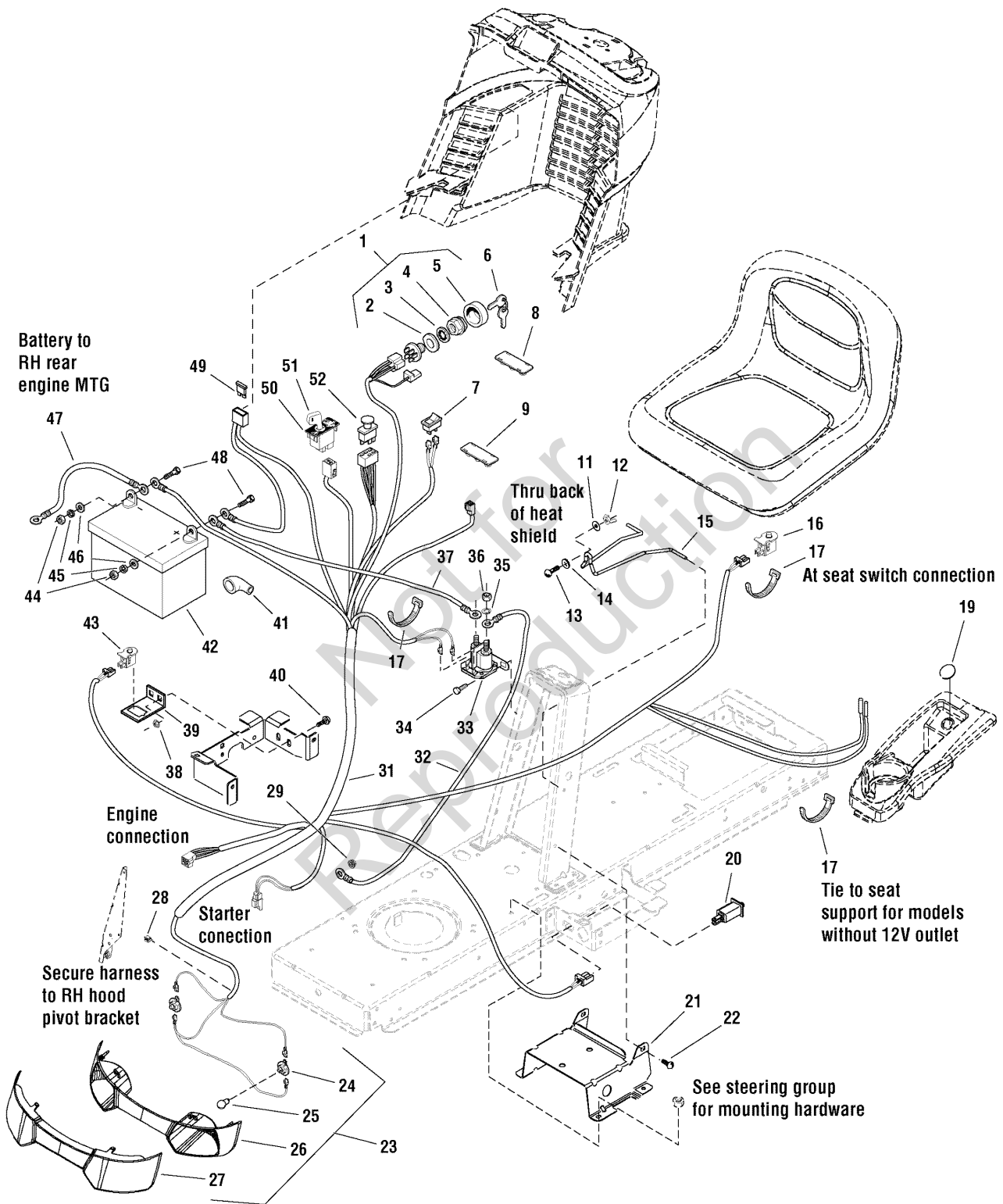
### Footnotes:



## Electrical Group

Item	Part No	Qty	Description
1	1686734	1	SWITCH ASSEMBLY, Ignition, 6-Pole (Includes Ref. 2, 3, 4 & 5)
2	2101025	1	WASHER, 5/8
3	1960547	1	LOCKWASHER, Internal Tooth, 5/8
4	1717549	1	NUT, Hex, Flange, 5/8-32
5	1717550	1	COVER, Ignition
6	1737836	1	KEYS, Blister Pk (KIDS+MWRS DON'T MIX) (set of two, one coated) (Was 1717163 ignition key, set of 2)
7	1716951	1	SWITCH, Headlights, 2 Terminal
8	1722611	1	PLUG, Hole, Square
9	1729993	1	PLUG, Hour Meter
11	1960353	1	WASHER, Plain, 1/4 (6 Total for Export)
12	2860293	1	NUT, Wing, 1/4-20
13	1931318	1	CARRIAGE BOLT, 1/4-20 x 7/8
14	1960518	1	NUT, Push On
15	1730007	1	HOLD DOWN, Battery
16	1732005	1	SWITCH, Push Button (NC)
17	1701011	3	TIE, Self Locking 7-5/16
19	1732007	1	PLUG, Hole Models W/O 12V Adapter
20	1732006	1	SWITCH, Push Button (NO/NC)
21	1727282A	1	SUPPORT, Battery 12 GA
22	1930601	4	SCREW, Taptite, 5/16-18 x 5/8
23	1727296	1	HEADLIGHT ASSEMBLY (Includes Ref. 24, 25, 26 & 27)
24	1723451	2	SOCKET ASSEMBLY
25	1677371	2	BULB, 1141-12V 21CP
26	1728973	1	REFLECTOR, Headlight
27	1728974	1	LENS, Headlight
28	2172434	1	CLIP, Wire
29	1960294	1	NUT, Hex, Flange, 1/4-20
31	1728097	1	HARNESS, Wiring
32	1721830	1	CABLE, Solenoid to Starter
33	1728963	1	SOLENOID
34	1925003	2	SCREW, Taptite, 1/4-20 x 1/2
35	2820426	2	LOCKWASHER, External Tooth, 5/16
36	2820263	2	NUT, Hex, 5/16-24 NF
37	1716549	1	CABLE, #6 x 10 Long, with 2 Ring Terminals, Battery to Solenoid
38	1931277	2	NUT, Hex, Flange Whizlock, 5/16-18
39	1728026A	1	SUPPORT, RMO Switch
40	1931333	2	CARRIAGE BOLT, 5/16-18 x 3/4
41	1677296	1	BOOT, Insulator
42	1685215	1	BATTERY
43	1732004	1	SWITCH, Push Button (NO), Reverse Pedal
44	2816622	2	NUT, Hex, Full, 1/4-20
45	2816964	2	LOCKWASHER, 1/4
46	2821319	2	WASHER, 1/4 I.D.
47	1713163	1	CABLE, Battery to Ground

### Footnotes:



## Electrical Group

---

Item	Part No	Qty	Description
48	2823341	2	CAPSCREW, Hex Head, 1/4-20 x 3/4
49	1731957	1	FUSE, Wiring Harness
50	1726556	1	SWITCH, RMO Module Only
51	1726557	1	KEY, RMO Module Plastic
52	1722887	1	SWITCH, PTO, Push/Pull Symbols

Not for  
Reproduction

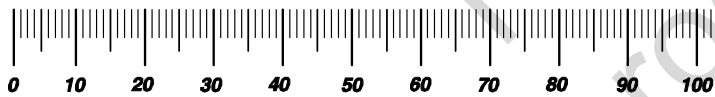
### Footnotes:

Not for  
Reproduction

# Hardware Identification & Torque Specifications

Torque Specification Chart FOR STANDARD METRIC MACHINE HARDWARE (Tolerance ± 20%)								
Property Class	5.6 Class 5.6		8.8 Class 8.8		10.9 Class 10.9		12.9 Class 12.9	
	in/lbs ft/lbs	Nm.	in/lbs ft/lbs	Nm.	in/lbs ft/lbs	Nm.	in/lbs ft/lbs	Nm.
M3	5.88	.56	13.44	1.28	19.2	1.80	22.92	2.15
M4	13.44	1.28	30.72	2.90	43.44	4.10	52.56	4.95
M5	26.4	2.50	60.96	5.75	5.97	8.10	7.15	9.7
M6	44.64	4.3	7.3	9.9	10.3	14	12.1	16.5
M7	5.2	7.1	12.1	16.5	16.9	23	19.9	27
M8	7.7	10.5	17.7	24	25	34	29	40
M10	15	21	35	48	50	67	59	81
M12	26	36	61	83	86.2	117	103	140
M14	42	58	101	132	136	185	162	220
M16	64	88	147	200	210	285	250	340
M18	89	121	202	275	287	390	346	470
M20	126	171	290	390	405	550	486	660
M22	169	230	390	530	559	745	656	890
M24	217	295	497	375	708	960	840	1140
M27	320	435	733	995	1032	1400	1239	1680
M30	435	590	995	1350	1401	1900	1681	2280
M33	590	800	1349	1830	1902	2580	2278	3090
M36	759	1030	1740	2360	2441	3310	2935	3980
M39	988	1340	2249	3050	3163	4290	3798	5150

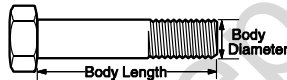
The guides and ruler furnished below are designed to help you select the appropriate hardware.



Nut, M8

Thread Diameter (mm)  
Inside Diameter (in)  
Threads per inch

Nut, 1/2-16



Screw, M8- 1.25 x 25

Thread Diameter (mm)  
Body Diameter  
Distance between threads (mm)  
Threads per inch  
Body Length (mm)  
Body Length (in)

Screw, 1/2- 16 x 2



## Standard Hardware Sizing

When a washer or nut is identified as 1/2" (M8), this is the *Nominal size*, meaning the *inside diameter* is 1/2 inch (8mm metric thread diameter); if a second number is present it represents the *threads per inch* (distance between threads).

When bolt or capscrew is identified as 1/2 - 16 x 2" (M8 - 1.25 x 50), this means the *Nominal size*, or body diameter is 1/2 inch (8mm metric thread diameter), the second number, 16, represents the *threads per inch*, (1.25 thread diameter). The final number is the body length of the bolt or screw, 2 inches (50mm).

Torque Specification Chart FOR STANDARD MACHINE HARDWARE (Tolerance ± 20%)						
Hardware Grade	No Marks SAE Grade 2		SAE Grade 5		SAE Grade 8	
	in/lbs ft/lbs	Nm.	in/lbs ft/lbs	Nm.	in/lbs ft/lbs	Nm.
8-32	19	2.1	30	3.4	41	4.6
8-36	20	2.3	31	3.5	43	4.9
10-24	27	3.1	43	4.9	60	6.8
10-32	31	3.5	49	5.5	68	7.7
1/4-20	66	7.6	8	10.9	12	16.3
1/4-28	76	8.6	10	13.6	14	19.0
5/16-18	11	15.0	17	23.1	25	34.0
5/16-24	12	16.3	19	25.8	29	34.0
3/8-16	20	27.2	30	40.8	45	61.2
3/8-24	23	31.3	35	47.6	50	68.0
7/16-14	30	40.8	50	68.0	70	95.2
7/16-20	35	47.6	55	74.8	80	108.8
1/2-13	50	68.0	75	102.0	110	149.6
1/2-20	55	74.8	90	122.4	120	163.2
9/16-12	65	88.4	110	149.6	150	204.0
9/16-18	75	102.0	120	163.2	170	231.2
5/8-11	90	122.4	150	204.0	220	299.2
5/8-18	100	136	180	244.8	240	326.4
3/4-10	160	217.6	260	353.6	386	525.0
3/4-16	180	244.8	300	408.0	420	571.2
7/8-9	140	190.4	400	544.0	600	816.0
7/8-14	155	210.8	440	598.4	660	897.6
1-8	220	299.2	580	788.8	900	1,244.0
1-12	240	326.4	640	870.4	1,000	1,360.0

## NOTES

- These torque values are to be used for all hardware excluding: locknuts, self-tapping screws, thread forming screws, sheet metal screws and socket head setscrews.
- Recommended seating torque values for locknuts:
  - for prevailing torque locknuts - use 65% of grade5 torques.
  - for flange whizlock nuts and screws - use 135% of grade 5 torques.
- Unless otherwise noted on assembly drawings, all torque values must meet this specification.

## Common Hardware Types

Hex Head Capscrew



Washer



Carriage Bolt



Lockwasher



Hex Nut



## Wrench & Fastener Size Guide

1/4" Bolt or Nut Wrench—7/16"	5/16" Bolt or Nut Wrench—1/2"	3/8" Bolt or Nut Wrench—9/16"	7/16" Bolt or Nut Wrench (Bolt)—5/8" Wrench (Nut)—11/16"	1/2" Bolt or Nut Wrench—3/4"
M6 Bolt or Nut Wrench—10mm	M8 Bolt or Nut Wrench—13mm	M10 Bolt or Nut Wrench—17mm	M12 Bolt or Nut Wrench—19mm	M14 Bolt or Nut Wrench—22mm

*Parts Manual for*

# **SNAPPER®**

## **HYDRO DRIVE ELECTRIC CLUTCH 42" & 46" LAWN TRACTOR LT-125 SERIES**

Not for  
Reproduction

IT IS THE POLICY OF BRIGGS & STRATTON CORP TO IMPROVE ITS PRODUCTS WHENEVER IT IS POSSIBLE AND PRACTICAL TO DO SO. WE RESERVE THE RIGHT TO MAKE CHANGES OR ADD IMPROVEMENTS AT ANY TIME WITHOUT INCURRING ANY OBLIGATION TO MAKE SUCH CHANGES ON PRODUCTS

**Briggs & Stratton Yard Power Products Group**

535 Macon Road  
McDonough, GA, 30253 U.S.A.  
800-935-2967

[www.snapper.com](http://www.snapper.com)

Copyright © 2010 Briggs & Stratton Corporation  
Milwaukee, WI USA. All Rights Reserved

**Manual No. 7006275  
Revision: A 8/20/2010**



## Free Manuals Download Website

<http://myh66.com>

<http://usermanuals.us>

<http://www.somanuals.com>

<http://www.4manuals.cc>

<http://www.manual-lib.com>

<http://www.404manual.com>

<http://www.luxmanual.com>

<http://aubethermostatmanual.com>

Golf course search by state

<http://golfingnear.com>

Email search by domain

<http://emailbydomain.com>

Auto manuals search

<http://auto.somanuals.com>

TV manuals search

<http://tv.somanuals.com>