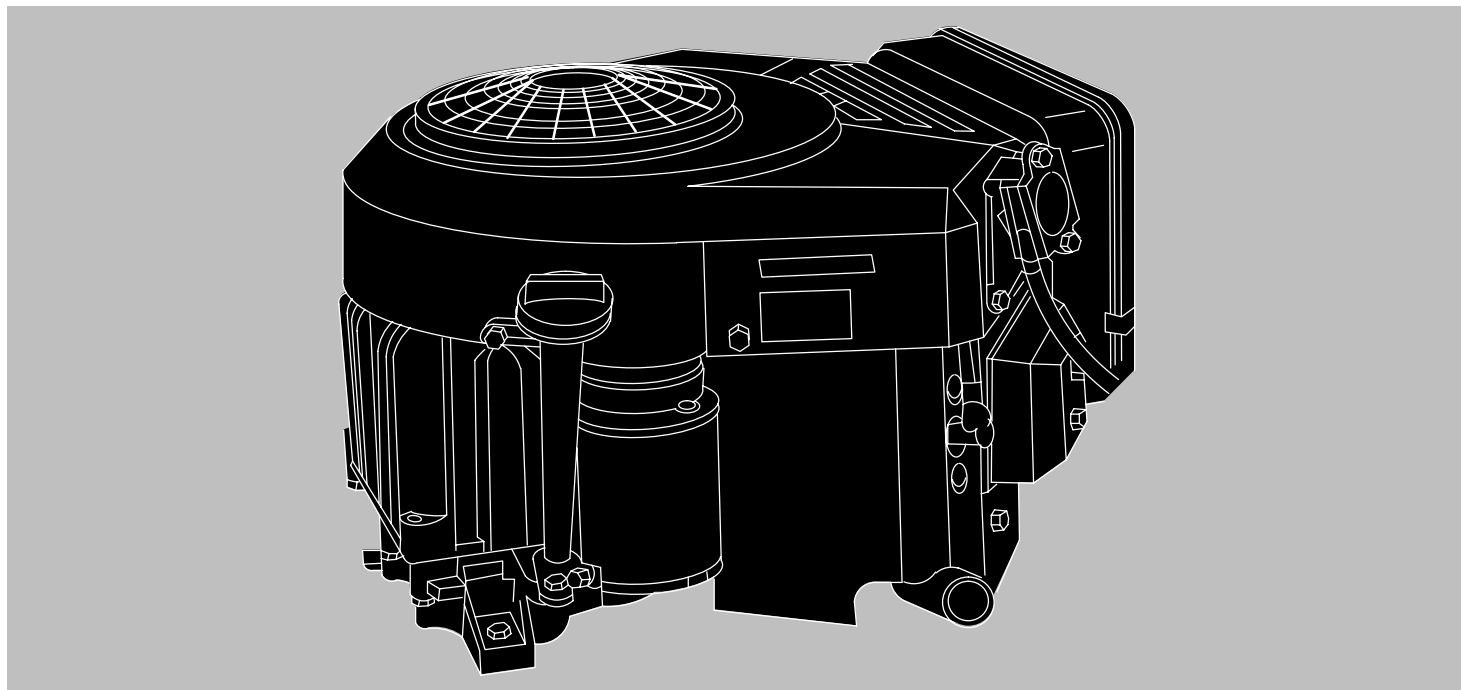
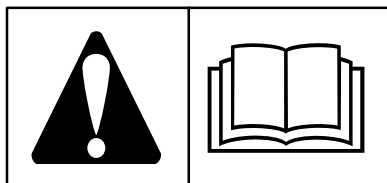
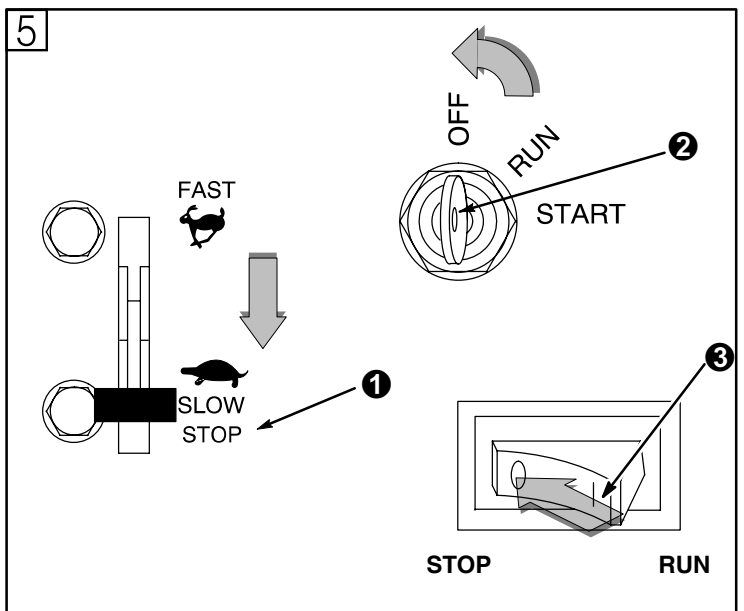
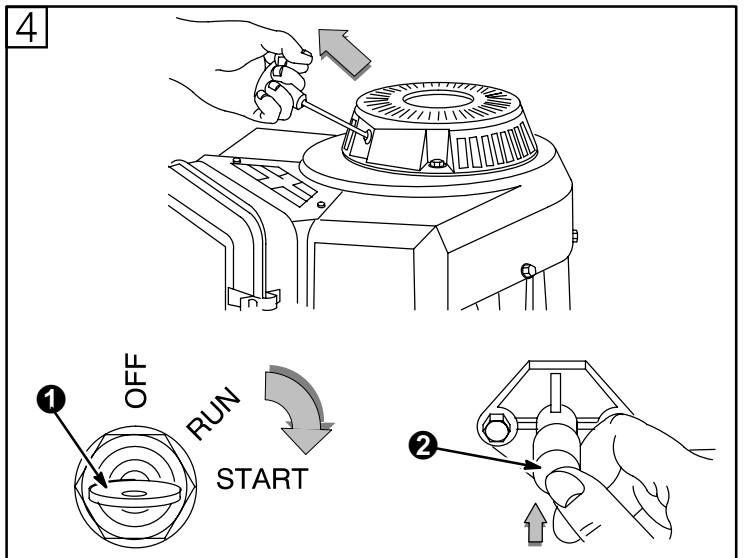
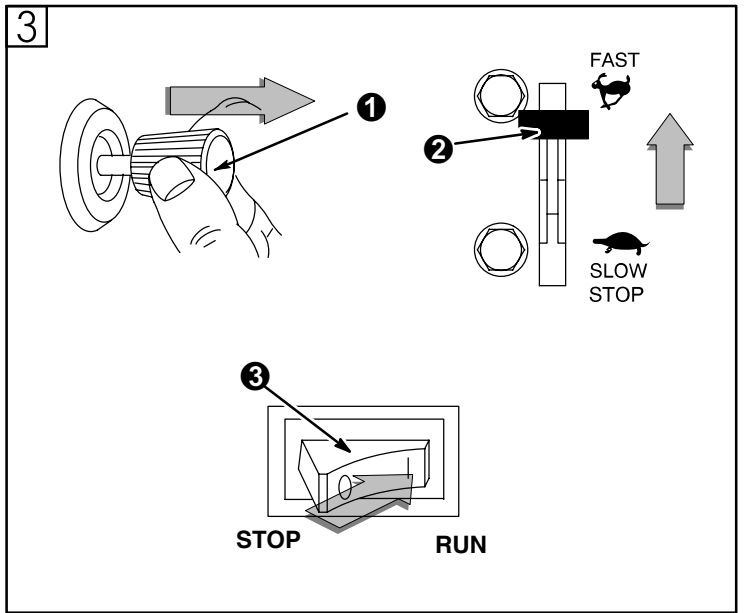
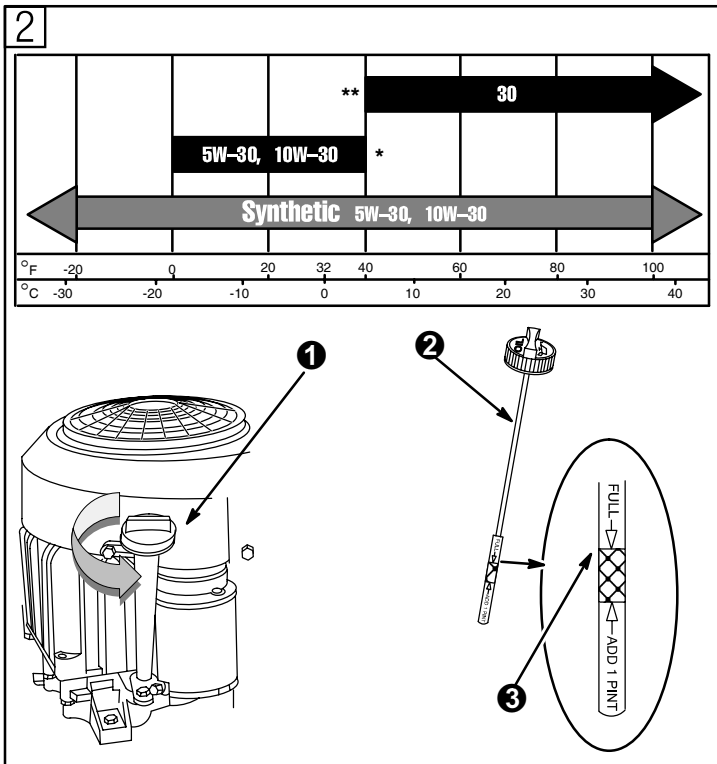
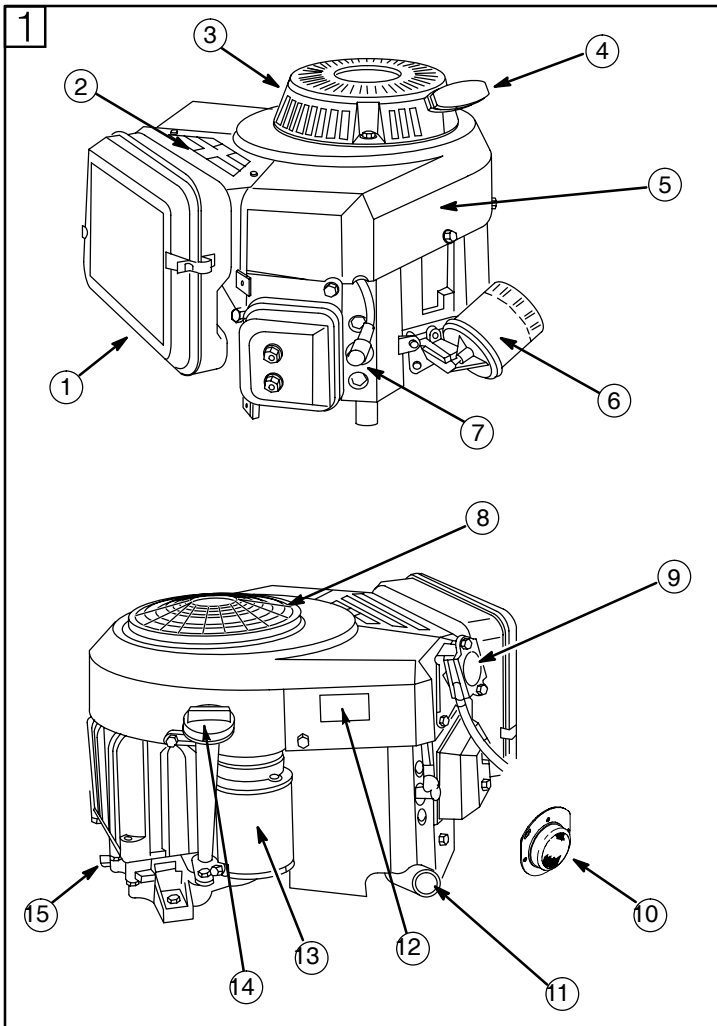




290000, 300000, 350000, 380000

- Ⓜ **GB** *Operating & Maintenance Instructions*
- Ⓜ **BG** *Инструкции за работа и техническо обслужване*
- Ⓜ **CR** *Upute za korištenje i održavanje*
- Ⓜ **CZ** *Návod k obsluze a údržbě*
- Ⓜ **EE** *Kasutus- ja hooldusjuhend*
- Ⓜ **H** *Kezelési és karbantartási útmutató*
- Ⓜ **LT** *Naudojimo ir aptarnavimo instrukcija*
- Ⓜ **LV** *Lietošanas un apkopes instrukcija*
- Ⓜ **PL** *Instrukcja Obsługi i Konserwacji*
- Ⓜ **RO** *Instrucțiuni de utilizare și de întreținere*
- Ⓜ **RU** *Инструкции по эксплуатации и техническому обслуживанию*
- Ⓜ **SL** *Navodila za uporabo & vzdrževanje*





Note: (This note applies only to engines used in the U.S.A.) Maintenance, replacement or repair of the emission control devices and systems may be performed by any nonroad engine repair establishment or individual. However, to obtain no charge repairs under the terms and provisions of the Briggs & Stratton warranty statement, any service or emission control part repair or replacement must be performed by a factory authorized dealer.



How To Use Manual Figures

① - ⑨ refer to figures inside covers.

① - ⑱ refer to engine components in figure ①.

① - ⑨ refer to part/action in figures.

Record your engine Model, Type and Code numbers here for future use.

Record your date of purchase here for future use.

In the state of California, OHV Model Series 290000, 300000 and 350000 engines are certified by the California Air Resources Board to meet emissions standards for 250 hours. Such certification does not grant the purchaser, owner or operator of this engine any additional warranties with respect to the performance or operational life of this engine. This engine is warranted solely according to the product and emissions warranties stated elsewhere in this manual.

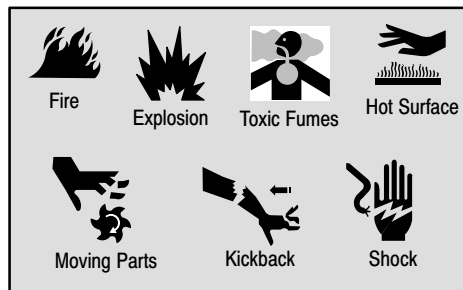
Technical Information

POWER RATINGS: The power ratings for an individual engine model are initially developed by starting with SAE (Society of Automotive Engineers) code J1940 (Small Engine Power & Torque Rating Procedure) (Revision 2002-05). Given both the wide array of products on which our engines are placed, and the variety of environmental issues applicable to operating the equipment, it may be that the engine you have purchased will not develop the rated horsepower when used in a piece of power equipment (actual "on-site" power). This difference is due to a variety of factors including, but not limited to, the following: differences in altitude, temperature, barometric pressure, humidity, fuel, engine lubrication, maximum governed engine speed, individual engine to engine variability, design of the particular piece of power equipment, the manner in which the engine is operated, engine run-in to reduce friction and clean out of combustion chambers, adjustments to the valves and carburetor, and other factors. The power ratings may also be adjusted based on comparisons to other similar engines utilized in similar applications, and will therefore not necessarily match the values derived using the foregoing codes.

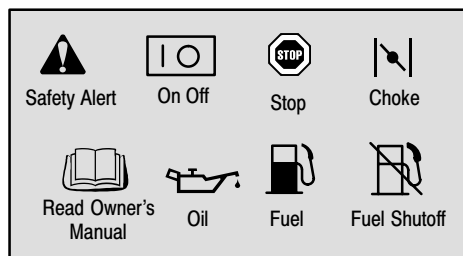
Engine Components (see fig. ①)

- ① Air cleaner
- ② Carburetor cover
- ③ Finger guard
- ④ Starter rope
- ⑤ Blower housing
- ⑥ Oil filter, if equipped
- ⑦ Spark plug wire
- ⑧ Rotating screen
- ⑨ Fuel pump
- ⑩ Spark arrester, if equipped
- ⑪ Exhaust manifold
- ⑫ **Engine Model** **Type** **Code**
 xxxxxx xxxx xx xxxxxxxx
- ⑬ 12V electric starter, if equipped
- ⑭ Oil fill/Dipstick
- ⑮ Oil drain plug

Hazard Symbols and Meanings



International Symbols and Meanings



Safety Precautions

BEFORE OPERATING ENGINE

- Read entire Operating & Maintenance Instructions AND the instructions for the equipment this engine powers.*
- Failure to follow instructions could result in serious injury or death.

* Briggs & Stratton does not necessarily know what equipment this engine will power. For that reason, you should carefully read and understand the operating instructions for the equipment on which your engine is placed.

THE OPERATING & MAINTENANCE INSTRUCTIONS CONTAIN SAFETY INFORMATION TO

- Make you aware of hazards associated with engines
- Inform you of the risk of injury associated with those hazards, and
- Tell you how to avoid or reduce the risk of injury.

The safety alert symbol is used to identify safety information about hazards that can result in personal injury.

A signal word (DANGER, WARNING, or CAUTION) is used with the alert symbol to indicate the likelihood and the potential severity of injury. In addition, a hazard symbol may be used to represent the type of hazard.

DANGER indicates a hazard which, if not avoided, will result in death or serious injury.

WARNING indicates a hazard which, if not avoided, could result in death or serious injury.

CAUTION indicates a hazard which, if not avoided, might result in minor or moderate injury.

CAUTION, when used **without** the alert symbol, indicates a situation that could result in damage to the engine.

WARNING

The engine exhaust from this product contains chemicals known to the State of California to cause cancer, birth defects, or other reproductive harm.



WARNING



Gasoline and its vapors are extremely flammable and explosive.

Fire or explosion can cause severe burns or death.

WHEN ADDING FUEL

- Turn engine OFF and let engine cool for at least 2 minutes before removing gas cap.
- Fill fuel tank outdoors or in well-ventilated area.
- Do not overfill fuel tank. Fill tank to approximately 1-1/2 inches below top of neck to allow for fuel expansion.
- Keep gasoline away from sparks, open flames, pilot lights, heat, and other ignition sources.
- Check fuel lines, tank, cap, and fittings frequently for cracks or leaks. Replace if necessary.

WHEN STARTING ENGINE

- Make sure spark plug, muffler, fuel cap and air cleaner are in place.
- Do not crank engine with spark plug removed.
- If fuel spills, wait until it evaporates before starting engine.
- If engine floods, set choke to OPEN/RUN position, place throttle in FAST and crank until engine starts.

WHEN OPERATING EQUIPMENT

- Do not tip engine or equipment at angle which causes gasoline to spill.
- Do not choke carburetor to stop engine.

WHEN TRANSPORTING EQUIPMENT

- Transport with fuel tank EMPTY or with fuel shut-off valve OFF.

WHEN STORING GASOLINE OR EQUIPMENT WITH FUEL IN TANK

- Store away from furnaces, stoves, water heaters or other appliances that have pilot light or other ignition source because they can ignite gasoline vapors.



WARNING



Engines give off carbon monoxide, an odorless, colorless, poison gas.

Breathing carbon monoxide can cause nausea, fainting or death.

- Start and run engine outdoors.
- Do not start or run engine in enclosed area, even if doors or windows are open.



WARNING



Unintentional sparking can result in fire or electric shock.

Unintentional start-up can result in entanglement, traumatic amputation, or laceration.

BEFORE PERFORMING ADJUSTMENTS OR REPAIRS

- Disconnect spark plug wire and keep it away from spark plug.
- Disconnect battery at negative terminal (only engines with electric start).

WHEN TESTING FOR SPARK

- Use approved spark plug tester.
- Do not check for spark with spark plug removed.



WARNING



Running engines produce heat. Engine parts, especially muffler, become extremely hot.

Severe thermal burns can occur on contact.

Combustible debris, such as leaves, grass, brush, etc. can catch fire.

- Allow muffler, engine cylinder and fins to cool before touching.
- Remove accumulated combustibles from muffler area and cylinder area.
- Install and maintain in working order a spark arrester before using equipment on forest-covered, grass-covered, brush-covered unimproved land. The state of California requires this (Section 4442 of the California Public Resources Code). Other states may have similar laws. Federal laws apply on federal land.



WARNING



Rotating parts can contact or entangle hands, feet, hair, clothing, or accessories.

Traumatic amputation or severe laceration can result.

- Operate equipment with guards in place.
- Keep hands and feet away from rotating parts.
- Tie up long hair and remove jewelry.
- Do not wear loose-fitting clothing, dangling drawstrings or items that could become caught.



WARNING



Starting engine creates sparking.

Sparking can ignite nearby flammable gases.

Explosion and fire could result.

- If there is natural or LP gas leakage in area, do not start engine.
- Do not use pressurized starting fluids because vapors are flammable.



WARNING



Rapid retraction of starter cord (kickback) will pull hand and arm toward engine faster than you can let go.

Broken bones, fractures, bruises or sprains could result.

- When starting engine, pull cord slowly until resistance is felt, then pull rapidly.
- Remove all external equipment/engine loads before starting engine.
- Direct coupled equipment components such as, but not limited to, blades, impellers, pulleys, sprockets, etc., must be securely attached.

Oil Recommendations (see fig. [2])

Engine shipped from Briggs & Stratton without oil. Before starting engine, fill with oil. Do not over-fill.

Use a high quality detergent oil classified "For Service SF, SG, SH, SJ" or higher such as Briggs & Stratton 30W, Part Number 100005 (20 oz.) or 100028 (48 oz.). Use no special additives with recommended oils. Do not mix oil with gasoline.

Choose the SAE viscosity grade of oil from this chart that matches the starting temperature anticipated before the next oil change. (see fig. [2])

Note: Synthetic oil meeting ILSAC GF-2, API certification mark and API service symbol (shown at left) with "SJ/CF ENERGY CONSERVING" or higher, is an acceptable oil at all temperatures. Use of synthetic oil does not alter required oil change intervals.

- * Air cooled engines run hotter than automotive engines. The use of non-synthetic multi-viscosity oils (5W-30, 10W-30, etc.) in temperatures above 40° F (4° C) will result in higher than normal oil consumption. When using a multi-viscosity oil, check oil level more frequently.
- ** SAE 30 oil, if used below 40° F (4° C), will result in hard starting and possible engine bore damage due to inadequate lubrication.

Check oil level (see fig. [2])

Oil capacity: approximately 1-1/2 quarts (48 ounces or 1.6 liters) when changing oil and filter. (Oil capacity will be greater if engine is equipped with remote oil filter.)

Oil checking procedure: before starting engine, place engine level and clean around oil fill ①. Remove dipstick ②, wipe with clean cloth, insert and tighten down again. Remove dipstick and check oil level. Oil should be at FULL mark ③. If oil is required, add slowly. Tighten dipstick firmly before starting engine.

Oil filling procedure: first add 1 quart (32 ounces or 1 liter). Start and run engine at idle for 30 seconds. Shut engine off and wait 30 seconds. Then add more oil slowly to bring level to Full mark on dipstick. Check for oil leaks. Tighten dipstick firmly before starting engine.

Fuel Recommendations

Use clean, fresh, lead-free gasoline with a minimum of 85 octane. Leaded gasoline may be used if it is commercially available and if unleaded is unavailable. Purchase fuel in quantity that can be used within 30 days. See **Storage**.

In U.S.A. leaded gasoline may not be used. Some fuels, called oxygenated or reformulated gasolines, are gasolines blended with alcohols or ethers. Excessive amounts of these blends can damage the fuel system or cause performance problems. If any undesirable operating symptoms occur, use gasoline with a lower percentage of alcohol or ether.

This engine is certified to operate on gasoline. Exhaust Emission Control System: EM (Engine Modifications).

Do not use gasoline which contains Methanol. Do not mix oil with gasoline.

For engine protection, we recommend using Briggs & Stratton Fuel Stabilizer available from an Authorized Briggs & Stratton Service Dealer.

Check fuel level.



Before refueling, allow engine to cool 2 minutes.

Clean around fuel fill before removing cap to refuel. Remove cap. Fill tank to approximately 1-1/2 inches below top of neck to allow for fuel expansion. Be careful not to overfill.

Starting (see figs. [3] [4])



ALWAYS KEEP HANDS AND FEET CLEAR OF EQUIPMENT MOVING PARTS.



Do not use a pressurized starting fluid. Vapors are flammable.

Start, store and fuel lawn mower in level position. Start lawn mower on hard surface or over previously cut grass.

Check oil level.

Open fuel shut-off valve, if equipped.

Before starting engine (see fig. [3])

If engine runs low on oil, an oil pressure switch (if engine is equipped) will either activate a warning device or stop the engine. (Read the operating instructions supplied by the equipment manufacturer to determine which way your engine is equipped.) See **Oil pressure** on next page.

1. Open fuel shut-off valve, if equipped.
2. Move choke control to CHOKE position ①.

Note: If engine does not start, remove air cleaner to check choke. Choke must fully close. If not, see **Adjustments**.

3. Move throttle control ② to FAST position.
4. Push rocker switch ③ to I position.

Rewind starter, if equipped (see fig. [4])



Grasp rope handle and pull slowly until resistance is felt. Then pull cord rapidly to overcome compression, prevent kickback and start engine. Repeat if necessary with choke in RUN position throttle in FAST. When engine starts, operate in FAST.

Electric starter (see fig. [4])

On engines equipped with 12 volt starting systems, turn key to START position ① or press button ②. Repeat if necessary with choke off and throttle control in FAST position. Operate engine with choke off and throttle in FAST position.

Note: If equipment manufacturer has supplied battery, charge it before trying to start engine, as equipment manufacturer recommends. Use short starting cycles (15 secs. per min.) to prolong starter life. Extended cranking can damage starter motor.

CAUTION: If engine is equipped with battery for electric starter, do not operate engine with battery disconnected.

Stopping (see fig. [5])

Do not move choke control to CHOKE to stop engine. Backfire or engine damage may occur. Move throttle control to IDLE or SLOW position, then to STOP ①, push rocker switch to 0 position or turn key to OFF ②.

Always remove key from switch when equipment is not in use or left unattended.



When engine or equipment is transported, close fuel shut-off valve, if equipped, to prevent fuel leakage.

Adjustments (see fig. [6])



To prevent accidental starting, remove spark plug wire ① and ground it before adjusting, and disconnect battery at negative terminal, if equipped.

connect battery at negative terminal, if equipped.

Choke control adjustments

Remove air cleaner. Move choke control to CHOKE position. Carburetor choke valve ② should be completely closed. If not, loosen casing clamp screw ③ and pull casing and wire ④ in direction of arrow to end of travel. Tighten casing clamp screw. Replace air cleaner.

Throttle control adjustments

Remove air cleaner. Move throttle control to FAST position. Swivel ⑤ should be against throttle stop ⑥. If not, loosen casing clamp screw ⑦. Move casing and wire ⑧ in direction shown by arrow until swivel is against throttle stop. Tighten casing clamp screw. Replace air cleaner.

Check operation of controls. Readjust if necessary.

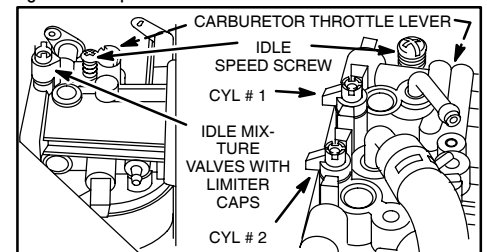
Carburetor adjustments



The manufacturer of the equipment on which this engine is installed specifies top speed at which the engine will be operated. DO NOT EXCEED this speed.

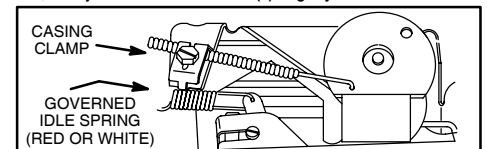
See an Authorized Briggs & Stratton Dealer for carburetor adjustment.

Start engine and warm up approximately 5 minutes before adjusting. With engine running, place throttle control in SLOW position. Rotate carburetor throttle lever against the idle speed screw and hold it. Turn idle speed screw to obtain 1400 rpm (1200 rpm on two barrel carburetor). While still holding carburetor throttle lever against idle speed screw, turn idle mixture valve with limiter cap screw midway between limits. DO NOT remove limiter cap. DO NOT force beyond limit. On twin barrel carburetor, set cylinder #1 idle mixture valve midway between limits. Then set cylinder #2 idle mixture valve midway between limits while holding carburetor throttle lever against idle speed screw.



Single barrel carburetor Two barrel carburetor

Readjust the idle speed to 1200 rpm, if governed idle spring is red, or 900 rpm, if governed idle spring is white as illustrated below. Release carburetor throttle lever. Move throttle control to FAST position. Engine should accelerate smoothly. If it does not, readjust idle mixture valve(s) slightly counterclockwise.



Note: Engines operated at approximately 3000 to 5000 feet (900 to 1500 meters) above sea level may require a high altitude carburetor main jet. If erratic performance is observed, contact a Briggs & Stratton Authorized Service Dealer for a high altitude carburetor main jet.

Maintenance (see figs. 7 8 9)

Also, see **Maintenance Schedule**. Follow the hourly or calendar intervals, **whichever occur first**. More frequent service is required when operating in adverse conditions.

See any Authorized Briggs & Stratton Dealer for correct replacement parts



To prevent accidental starting, remove spark plug wire ① and ground it before servicing, and disconnect battery at negative terminal, if equipped.

Oil service (see fig. 7)

Check oil level regularly.

Be sure correct oil level is maintained. Check every 8 hours or daily, before starting engine. See oil filling procedure, **Oil Recommendations**.

Change oil.

Change oil after first 8 hours of operation. Change oil while engine is warm. Refill with new oil of recommended SAE viscosity grade. (see fig. 2)

Change oil filter ②, if equipped.

Replace oil filter after every 100 hours of operation or every season, whichever occurs first. Before installing new filter, lightly oil filter gasket with fresh, clean engine oil. Screw filter on by hand until gasket contacts oil filter adapter. Tighten 1/2 to 3/4 turn more. Start and run engine at IDLE to check for oil leaks. Stop engine. Recheck oil level and add oil if required.

Oil pressure

If oil pressure drops below 1-4 psi (.1-.2 kg/cm²), an oil pressure switch (if engine is equipped) will either activate a warning device or stop the engine. Check oil level with dipstick. If oil level is between **ADD** and **FULL** mark on dipstick, **do not try to restart engine**. Contact an Authorized Briggs & Stratton Service Dealer. **Do not operate engine until oil pressure is corrected.**

If oil level is below **ADD** mark on dipstick, add oil to bring level to **FULL** mark. Restart engine and check oil pressure. If pressure is normal, continue to operate engine.

Note: Oil pressure gauge, if engine is equipped, is supplied by manufacturer of equipment.

Air cleaner, dual element (see fig. 8)

1. Unhook clips on sides of cover and remove cover.
2. Carefully slide pre-cleaner ② off cartridge ③.
3. Remove knob and plate. Carefully remove cartridge to prevent debris from entering carburetor.

Replace pre-cleaner, if equipped, or cartridge if very dirty or damaged.

To service cartridge, clean by tapping gently on a flat surface. Do not use petroleum solvents, e.g., kerosene, which will cause cartridge to deteriorate. Do not use pressurized air, which can damage cartridge. Do not oil cartridge.

4. Reinstall cartridge, plate and knob.
5. Reassemble pre-cleaner on cartridge.
6. Replace cover and fasten clips.

Maintenance Cont'd

Spark plug service (see fig. 9)



DO NOT check for spark with spark plugs removed. Use only Briggs & Stratton Spark Tester ②, to check for spark.

DO NOT crank engine with spark plug removed. If engine is flooded, place throttle in FAST and crank until engine starts.

Spark plug gap ④ should be .76 mm or 0.030 in.

Replace spark plugs every season. Spark tester and spark plug wrench are available from any Authorized Briggs & Stratton Service Dealer.

Note: In some areas, local law requires using a resistor spark plug to suppress ignition signals. If this engine was originally equipped with resistor spark plug, use same type of spark plug for replacement.

Keep engine clean (see fig. 9)

Periodically remove grass/chaff buildup from engine. Do not spray engine with water because water could contaminate fuel. Use a brush or compressed air.



Accumulation of debris around exhaust manifold/muffler ④ could cause a fire. Inspect and clean before every use.

Keep linkage, springs and controls ④ free of debris.

If muffler is equipped with spark arrester screen ⑤, remove spark arrester screen for cleaning and inspection every 50 hours or every season. Replace if damaged.



Replace in-line fuel filter ⑥ every season. Drain fuel tank or close fuel shut-off valve before replacing filter.

Clean oil cooler ⑦ every 100 hours or every season, if equipped.

Grass or chaff may clog engine's air cooling system, especially after prolonged service cutting tall, dry grass. Every 100 hours or every season, clean internal cooling fins and surfaces to prevent overheating and engine damage. Remove blower housing to clean areas shown ⑧.

Check valve clearance (intake and exhaust .10-.15mm)

Maintenance Schedule

Follow the hourly or calendar intervals, whichever occur first. More frequent service is required when operating in adverse conditions noted below.

First 8 Hours

- Change oil

Every 8 hours or daily

- Check oil level
- Clean around muffler, linkage and springs

Every 25 hours or every season

- Change oil if operating under heavy load or high ambient temperature
- Service air cleaner pre-cleaner*

Every 50 hours or every season

- Change oil
- Clean and inspect spark arrester, if equipped

Every 100 hours or every season

- Service air cleaner cartridge*
- Replace oil filter, if equipped
- Clean oil cooler, if equipped*
- Clean cooling system*

Every season

- Replace spark plugs
- Replace in-line fuel filter
- Check valve clearance

* *Clean more often under dusty conditions, or when airborne debris is present or after prolonged operation cutting tall, dry grass.*

Partial List of Genuine Briggs & Stratton Parts

Briggs & Stratton (or equivalent)


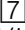
Part	Part No.
Oil (20 oz.)	100005
Oil (48 oz.)	100028
Oil filter (6 cm long)	492932 (5049)
Oil pump kit (uses standard electric drill to remove oil from engine quickly)	5056
Fuel stabilizer (1 oz., 30 ml single use pouch)	992030
Fuel stabilizer (4.2 oz., 125 ml bottle)	999005E (5041)
Fuel filter (without fuel pump)	298090 (5018)
Fuel filter (with fuel pump)	493629
Air cleaner cartridge	394018
(all models except model 380000)	
Air cleaner pre-cleaner	272490
(all models except model 380000)	
Air cleaner (cartridge and pre-cleaner kit)	5050
(all models except model 380000)	
Air cleaner cartridge (model 380000)	692519
Air cleaner pre-cleaner (model 380000)	692520
Resistor spark plug	491055E or 496018E
Long life platinum spark plug (used on most OHV engines)	5066
Spark tester	19368
Spark plug wrench	19374
Spark arrester	392390

Storage

Engines stored over 30 days need to be protected or drained of fuel to prevent gum from forming in fuel system or on essential carburetor parts.

For engine protection, we recommend use of Briggs & Stratton Fuel Stabilizer available from an Authorized Briggs & Stratton Service Dealer. Mix stabilizer with fuel in fuel tank or storage container. Run engine for a short time to circulate stabilizer through carburetor. Engine and fuel can be stored up to 24 months.

Note: If stabilizer is not used or if engine is operating on gasoline containing alcohol, e.g. gasohol, remove all fuel from tank and run engine until it stops from lack of fuel.

1. Change oil. See **Oil service.** (see figs.  )
2. Remove spark plugs and pour about 30 ml (1 oz) of engine oil into cylinders. Replace spark plugs and crank slowly to distribute oil.
3. Clean grass/chaff from cylinders and cylinder head fins and behind muffler.
4. Store in a clean and dry area, but NOT near a stove, furnace or water heater which uses a pilot light or any device that can create a spark.

Service

See an Authorized Briggs & Stratton Service Dealer. Each one carries a stock of Genuine Briggs & Stratton Parts and is equipped with special service tools. Trained mechanics assure expert repair service on all Briggs & Stratton engines. Only dealers advertising as "Authorized Briggs & Stratton" are required to meet Briggs & Stratton standards.

When you purchase equipment powered by a Briggs & Stratton engine, you are assured of highly skilled, reliable service at more than 30,000 Authorized Service Dealers worldwide, including more than 5,000 Master Service Technicians. Look for these signs wherever Briggs & Stratton service is offered.



You may locate your nearest Authorized Briggs & Stratton Service Dealer in our dealer locator map on our web site www.briggsandstratton.com or in the "Yellow

Pages™" directory under "Engines, Gasoline" or "Gasoline Engines," or "Lawn Mowers" or similar category.



Note: Walking fingers logo and "Yellow Pages" are registered trademarks in various jurisdictions.

An illustrated shop manual includes "Theories of Operation," common specifications and detailed information covering adjustment, tune-up and repair of Briggs & Stratton V-twin cylinder OHV, 4 cycle engines. Order P/N 272144 from an Authorized Briggs & Stratton Service Dealer.

Insist on Genuine Briggs & Stratton replacement parts with our logo on the box and/or part. Non-original parts may not perform as well and may void your warranty.

BRIGGS & STRATTON ENGINE OWNER WARRANTY POLICY

Effective January 1, 2003 replaces all undated Warranties and all Warranties dated before January 1, 2003

LIMITED WARRANTY

Briggs & Stratton Corporation will repair or replace, free of charge, any part(s) of the engine that is defective in material or workmanship or both. Transportation charges on parts submitted for repair or replacement under this warranty must be borne by purchaser. This warranty is effective for the time periods and subject to the conditions stated below. For warranty service, find the nearest Authorized Service Dealer in our dealer locator map at www.briggsandstratton.com, or by calling 1-800-233-3723, or as listed in the 'Yellow Pages™'.

THERE IS NO OTHER EXPRESS WARRANTY. IMPLIED WARRANTIES, INCLUDING THOSE OF MERCHANTABILITY AND FITNESS FOR A PARTICULAR PURPOSE, ARE LIMITED TO ONE YEAR FROM PURCHASE, OR TO THE EXTENT PERMITTED BY LAW ANY AND ALL IMPLIED WARRANTIES ARE EXCLUDED. LIABILITY FOR INCIDENTAL OR CONSEQUENTIAL DAMAGES ARE EXCLUDED TO THE EXTENT EXCLUSION IS PERMITTED BY LAW. Some states or countries do not allow limitations on how long an implied warranty lasts, and some states or countries do not allow the exclusion or limitation of incidental or consequential damages, so the above limitation and exclusion may not apply to you. This warranty gives you specific legal rights and you may also have other rights which vary from state to state and country to country.

OUR PRODUCT

VANGUARD™	ELS™ I/C® Industrial Plus™ Intek™ (Sleeve Bore)	Force™ Intek™ (Kool Bore) Power Built™ OHV QUANTUM® Quattro™ Q45™ Sprint™	Classic™	Etek™
------------------	--	--	-----------------	--------------

WARRANTY PERIOD*

Consumer Use	2 years	2 years	2 years	1 year	1 year
Commercial Use		1 year	90 days	90 days	

* Note the following special warranty periods: 2 years for Classic™ engines in the European Union and Eastern European countries, for all consumer products in the European Union, and for emission control systems on engines certified by EPA and CARB. 5 years for consumer use, 90 days for commercial use of Touch-N-Mow® starter on Quantum® and Intek™ engines. Engines used in competitive racing or on commercial or rental tracks are not warrantied.

The warranty period begins on the date of purchase by the first retail consumer or commercial end user, and continues for the period of time stated in the table above. "Consumer use" means personal residential household use by a retail consumer. "Commercial use" means all other uses, including use for commercial, income producing or rental purposes. Once an engine has experienced commercial use, it shall thereafter be considered as a commercial use engine for purposes of this warranty.

NO WARRANTY REGISTRATION IS NECESSARY TO OBTAIN WARRANTY ON BRIGGS & STRATTON PRODUCTS. SAVE YOUR PROOF OF PURCHASE RECEIPT. IF YOU DO NOT PROVIDE PROOF OF THE INITIAL PURCHASE DATE AT THE TIME WARRANTY SERVICE IS REQUESTED, THE MANUFACTURING DATE OF THE PRODUCT WILL BE USED TO DETERMINE THE WARRANTY PERIOD.

ABOUT YOUR ENGINE WARRANTY

Briggs & Stratton welcomes warranty repair and apologizes to you for being inconvenienced. Any Authorized Service Dealer may perform warranty repairs. Most warranty repairs are handled routinely, but sometimes requests for warranty service may not be appropriate. For example, warranty would not apply if engine damage occurred because of misuse, lack of routine maintenance, shipping, handling, warehousing or improper installation. Similarly, warranty is void if the serial number of the engine has been removed or the engine has been altered or modified.

If a customer differs with the decision of the Service Dealer, an investigation will be made to determine whether the warranty applies. Ask the Service Dealer to submit all supporting facts to his Distributor or the Factory for review. If the Distributor or the Factory decides that the claim is justified, the customer will be fully reimbursed for those items that are defective. To avoid misunderstanding which might occur between the customer and the Dealer, listed below are some of the causes of engine failure that the warranty does not cover.

Normal wear:

Engines, like all mechanical devices, need periodic parts service and replacement to perform well. Warranty will not cover repair when normal use has exhausted the life of a part or an engine.

Improper maintenance:

The life of an engine depends upon the conditions under which it operates, and the care it receives. Some applications, such as tillers, pumps and rotary mowers, are very often used in dusty or dirty conditions, which can cause what appears to be premature wear. Such wear, when caused by dirt, dust, spark plug cleaning

grit, or other abrasive material that has entered the engine because of improper maintenance, is not covered by warranty. **This warranty covers engine related defective material and/or workmanship only, and not replacement or refund of the equipment to which the engine may be mounted. Nor does the warranty extend to repairs required because of:**

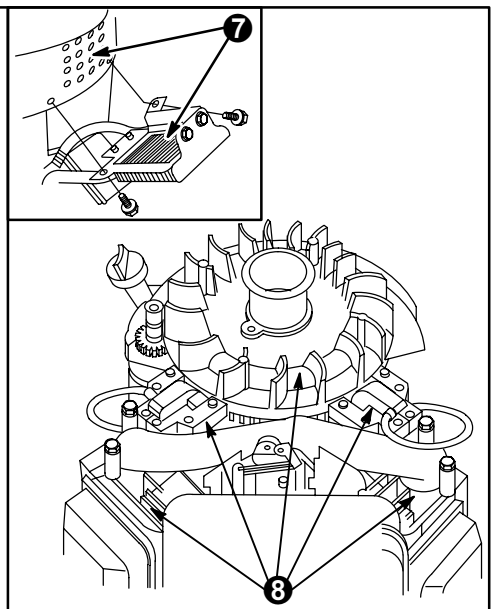
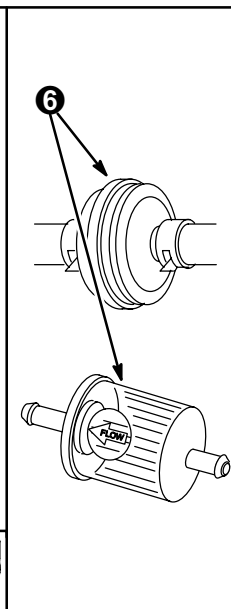
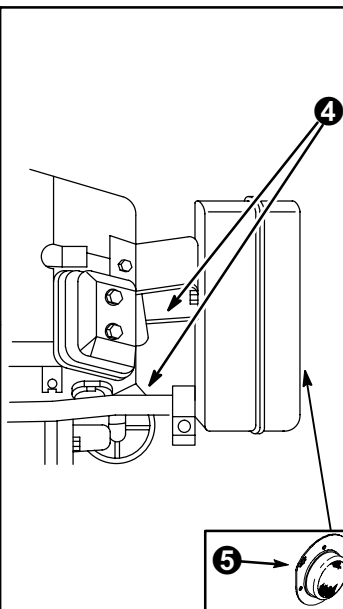
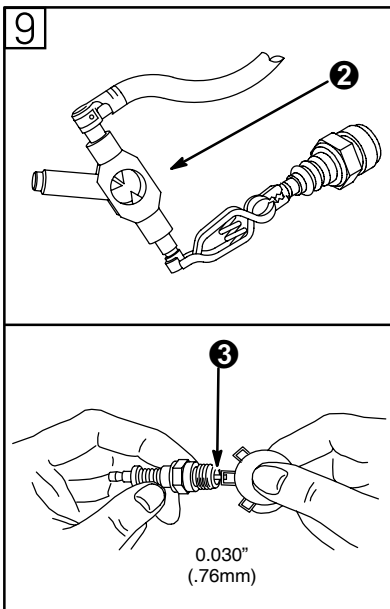
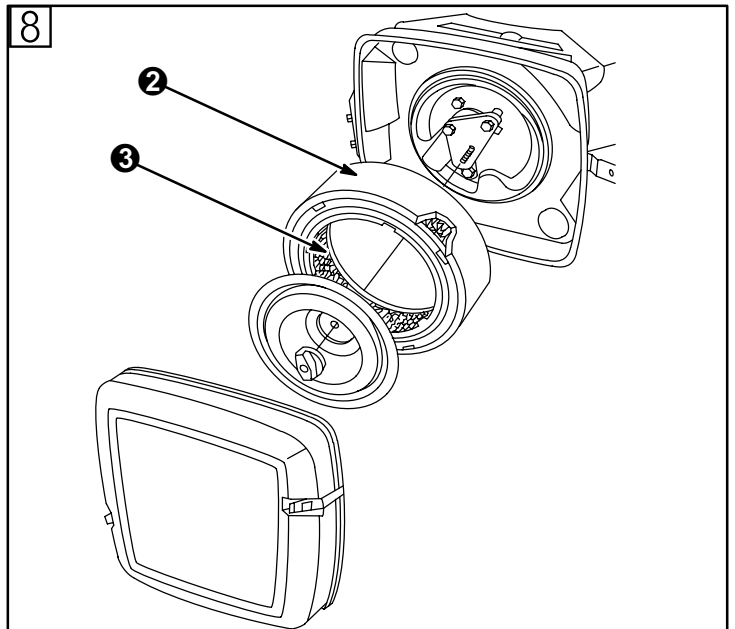
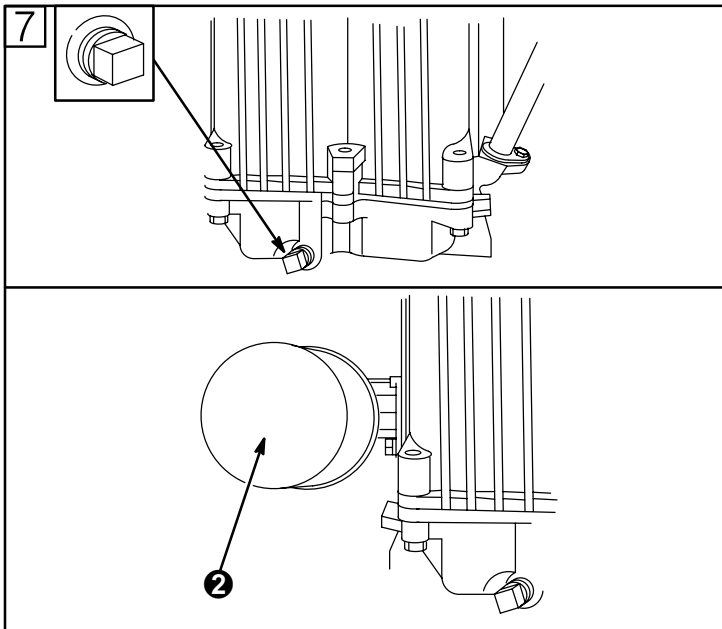
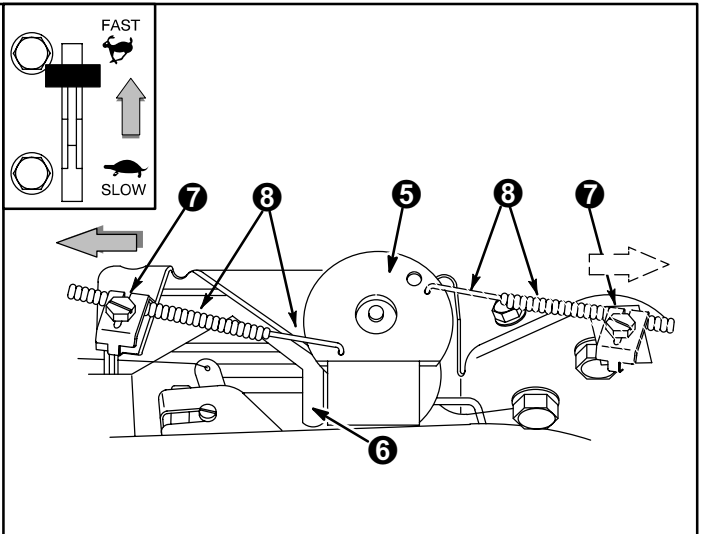
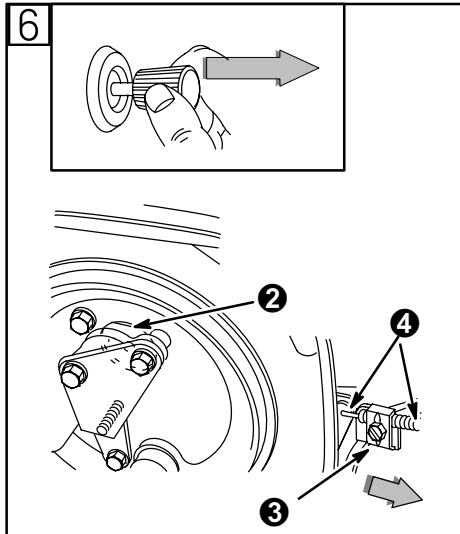
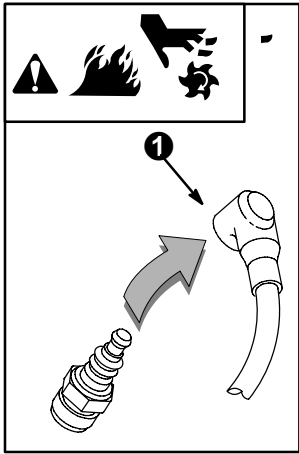
1. PROBLEMS CAUSED BY PARTS THAT ARE NOT ORIGINAL BRIGGS & STRATTON PARTS.
2. Equipment controls or installations that prevent starting, cause unsatisfactory engine performance, or shorten engine life. (Contact equipment manufacturer.)
3. Leaking carburetors, clogged fuel pipes, sticking valves, or other damage, caused by using contaminated or stale fuel. (Use clean, fresh, lead-free gasoline and Briggs & Stratton Fuel Stabilizer, Part No. 5041.)
4. Parts which are scored or broken because an engine was operated with insufficient or contaminated lubricating oil, or an incorrect grade of lubricating oil (check oil level daily or after every 8 hours of operation. Refill when necessary and change at recommended intervals.) OIL GARD® may not shut down running engine. Engine damage may occur if oil level is not properly maintained. Read Operating & Maintenance Instructions.
5. Repair or adjustment of associated parts or assemblies such as clutches, transmissions, remote controls, etc., which are not manufactured by Briggs & Stratton.
6. Damage or wear to parts caused by dirt, which entered the engine because of improper air cleaner maintenance, re-assembly, or use of a non-original air cleaner element or cartridge. (At recommended intervals, clean and re-oil

the Oil-Foam® element or the foam pre-cleaner, and replace the cartridge). Read Operating & Maintenance Instructions.

7. Parts damaged by over-speeding, or overheating caused by grass, debris, or dirt, which plugs or clogs the cooling fins, or flywheel area, or damage caused by operating the engine in a confined area without sufficient ventilation. (Clean fins on the cylinder, cylinder head and flywheel at recommended intervals.) Read Operating & Maintenance Instructions.
8. Engine or equipment parts broken by excessive vibration caused by a loose engine mounting, loose cutter blades, unbalanced blades or loose or unbalanced impellers, improper attachment of equipment to engine crankshaft, over-speeding or other abuse in operation.
9. A bent or broken crankshaft, caused by striking a solid object with the cutter blade of a rotary lawn mower, or excessive v-belt tightness.
10. Routine tune-up or adjustment of the engine.
11. Engine or engine component failure, i.e., combustion chamber, valves, valve seats, valve guides, or burned starter motor windings, caused by the use of alternate fuels such as, liquified petroleum, natural gas, altered gasolines, etc.

Warranty is available only through service dealers which have been authorized by Briggs & Stratton Corporation. your nearest Authorized Service Dealer is listed in the "Yellow Pages™" of your telephone directory under "Engines, Gasoline" or "Gasoline Engines," "Lawn Mowers," or similar category.

Briggs & Stratton Engines Are Made Under One Or More Of The Following Patents: Design D-247,177 (Other Patents Pending)										
6,325,036	6,077,063	5,819,513	5,606,948	5,497,679	5,235,943	5,138,996	4,996,956	4,633,556	4,430,984	DES. 308,871
6,284,123	6,064,027	5,813,384	5,606,851	5,320,795	5,197,425	5,086,890	4,977,879	4,630,498		DES. 308,872
6,260,529	6,014,808	5,765,713	5,548,955	5,271,363	5,197,422	5,070,829	4,971,219	4,522,080		DES. 309,457
6,230,678	5,894,715	5,645,025	5,546,901	5,269,713	5,191,864	5,058,544	4,895,119	4,520,288		DES. 356,951
6,202,616	5,852,951	5,642,701	5,503,125	5,265,700	5,188,069	5,040,644	4,819,593	4,512,499		DES. 361,771
6,116,212	5,823,153	5,619,845	5,501,203	5,243,878	5,186,142	5,009,208	4,719,682	4,453,507		DES. 375,963



Briggs & Stratton Corporation (B&S), the California Air Resources Board (CARB) and the United States Environmental Protection Agency (U.S. EPA) Emission Control System Warranty Statement (Owner's Defect Warranty Rights and Obligations)

EMISSION CONTROL WARRANTY COVERAGE IS APPLICABLE TO CERTIFIED ENGINES PURCHASED IN CALIFORNIA IN 1995 AND THEREAFTER, WHICH ARE USED IN CALIFORNIA, AND

TO CERTIFIED MODEL YEAR 1997 AND LATER ENGINES WHICH ARE PURCHASED AND USED ELSEWHERE IN THE UNITED STATES (AND AFTER JANUARY 1, 2001 IN CANADA).

California, United States and Canada Emission Control Defects Warranty Statement

The California Air Resources Board (CARB), U.S. EPA and B&S are pleased to explain the Emission Control System Warranty on your model year 2000 and later small off-road engine (SORE). In California, new small off-road engines must be designed, built and equipped to meet the State's stringent anti-smog standards. Elsewhere in the United States, new non-road, spark-ignition engines certified for model year 1997 and later, must meet similar standards set forth by the U.S. EPA. B&S must warrant the emission control system on your engine for the periods of time listed below, provided there has been

no abuse, neglect or improper maintenance of your small off-road engine. Your emission control system includes parts such as the carburetor, air cleaner, ignition system, muffler and catalytic converter. Also included may be connectors and other emission related assemblies.

Where a warrantable condition exists, B&S will repair your small off-road engine at no cost to you including diagnosis, parts and labor.

Briggs & Stratton Emission Control Defects Warranty Coverage

Small off-road engines are warranted relative to emission control parts defects for a period of two years, subject to provisions set forth below. If any covered part on your engine is defective, the part will be repaired or replaced by B&S.

Owner's Warranty Responsibilities

As the small off-road engine owner, you are responsible for the performance of the required maintenance listed in your Operating and Maintenance Instructions. B&S recommends that you retain all your receipts covering maintenance on your small off-road engine, but B&S cannot deny warranty solely for the lack of receipts or for your failure to ensure the performance of all scheduled maintenance.

As the small off-road engine owner, you should however be aware that B&S may deny you warranty coverage if your small off-road engine or a part has failed due to abuse, neglect, improper maintenance or unapproved modifications.

You are responsible for presenting your small off-road engine to an Authorized B&S Service Dealer as soon as a problem exists. The undisputed warranty repairs should be completed in a reasonable amount of time, not to exceed 30 days.

If you have any questions regarding your warranty rights and responsibilities, you should contact a B&S Service Representative at 1-414-259-5262.

The emission warranty is a defects warranty. Defects are judged on normal engine performance. The warranty is not related to an in-use emission test.

Briggs & Stratton Emission Control Defects Warranty Provisions

The following are specific provisions relative to your Emission Control Defects Warranty Coverage. It is in addition to the B&S engine warranty for non-regulated engines found in the Operating and Maintenance Instructions.

1. Warranted Parts

Coverage under this warranty extends only to the parts listed below (the emission control systems parts) to the extent these parts were present on the engine purchased.

a. Fuel Metering System

- Cold start enrichment system (soft choke)
- Carburetor and internal parts
- Fuel Pump

b. Air Induction System

- Air cleaner
- Intake manifold

c. Ignition System

- Spark plug(s)
- Magneto ignition system

d. Catalyst System

- Catalytic converter
- Exhaust manifold
- Air injection system or pulse valve

e. Miscellaneous Items Used in Above Systems

- Vacuum, temperature, position, time sensitive valves and switches
- Connectors and assemblies

2. Length of Coverage

B&S warrants to the initial owner and each subsequent purchaser that the Warranted Parts shall be free from defects in materials and workmanship which caused the failure of the Warranted Parts for a period of two years from the date the engine is delivered to a retail purchaser.

3. No Charge

Repair or replacement of any Warranted Part will be performed at no charge to the owner, including diagnostic labor which leads to the determination that a Warranted Part is defective, if the diagnostic work is performed at an Authorized B&S Service Dealer. For emissions warranty service contact your nearest Authorized B&S Service Dealer as listed in the "Yellow Pages" under "Engines, Gasoline," "Gasoline Engines," "Lawn Mowers," or similar category.

4. Claims and Coverage Exclusions

Warranty claims shall be filed in accordance with the provisions of the B&S Engine Warranty Policy. Warranty coverage shall be excluded for failures of Warranted Parts which are not original B&S parts or because of abuse, neglect or improper maintenance as set forth in the B&S Engine Warranty Policy. B&S is not liable to cover failures of Warranted Parts caused by the use of add-on, non-original, or modified parts.

5. Maintenance

Any Warranted Part which is not scheduled for replacement as required maintenance or which is scheduled only for regular inspection to the effect of "repair or replace as necessary" shall be warranted as to defects for the warranty period. Any Warranted Part which is scheduled for replacement as required maintenance shall be warranted as to defects only for the period of time up to the first scheduled replacement for that part. Any replacement part that is equivalent in performance and durability may be used in the performance of any maintenance or repairs. The owner is responsible for the performance of all required maintenance, as defined in the B&S Operating and Maintenance Instructions.

6. Consequential Coverage

Coverage hereunder shall extend to the failure of any engine components caused by the failure of any Warranted Part still under warranty.

Look For Relevant Emission Durability Period and Air Index Information On Your Engine Emission Label

Engines that are certified to meet the California Air Resources Board (CARB) Tier 2 Emission Standards must display information regarding the Emissions Durability Period and the Air Index. Briggs & Stratton makes this information available to the consumer on our emission labels. The engine label will indicate certification information.

The **Emission Durability Period** describes the number of hours of actual running time for which the engine is certified to be emission compliant, assuming proper maintenance in accordance with the Operating & Maintenance Instructions. The following categories are used:

Moderate: Engine is certified to be emission compliant for 125 hours of actual engine running time.

Intermediate: Engine is certified to be emission compliant for 250 hours of actual engine running time.

Extended: Engine is certified to be emission compliant for 500 hours of actual engine running time.

For example, a typical walk-behind lawn mower is used 20 to 25 hours per year. Therefore, the **Emission Durability Period** of an engine with an **intermediate** rating would equate to 10 to 12 years.

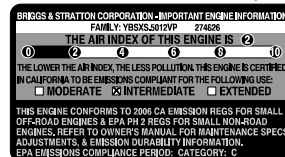
The **Air Index** is a calculated number describing the relative level of emission for a specific engine family. The lower the **Air Index**, the cleaner the engine. This information is displayed in graphical form on the emission label.

After July 1, 2000, Look For Emissions Compliance Period On Engine Emissions Compliance Label

After July 1, 2000 certain Briggs & Stratton engines will be certified to meet the United States Environmental Protection Agency (USEPA) Phase 2 emission standards. For Phase 2 certified engines, the Emissions Compliance Period referred to on the Emissions Compliance label indicates the number of operating hours for which the engine has been shown to meet Federal emission requirements. For engines less than 225 cc displacement, Category C = 125 hours, B = 250 hours and A = 500 hours. For engines of 225 cc or more, Category C = 250 hours, B = 500 hours and A = 1000 hours.

The displacement of Model Series 290000 and 300000 engines is 480 cc. The displacement of Model Series 350000 engines is 570 cc. The displacement of Model Series 380000 engines is 627 cc.

This is a generic representation of the emission label typically found on a certified engine.



Free Manuals Download Website

<http://myh66.com>

<http://usermanuals.us>

<http://www.somanuals.com>

<http://www.4manuals.cc>

<http://www.manual-lib.com>

<http://www.404manual.com>

<http://www.luxmanual.com>

<http://aubethermostatmanual.com>

Golf course search by state

<http://golfingnear.com>

Email search by domain

<http://emailbydomain.com>

Auto manuals search

<http://auto.somanuals.com>

TV manuals search

<http://tv.somanuals.com>