

Speed Clean[™] Pressure Washer

2800 PSI

Illustrated Parts List



Questions? Help is just a moment away!
Preguntas? La ayuda es justa un momento lejos!

Call: **Pressure Washer Helpline**

Llame: **Línea Directa del Lavador a Presión - 1-800-743-4115** M-F 8-5 CT

web: www.briggsandstratton.com

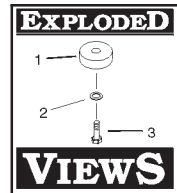
SpeedClean[™] is a trademark of Briggs & Stratton Power Products.

SpeedClean[™] es una marca registrada de Briggs & Stratton Power Products.

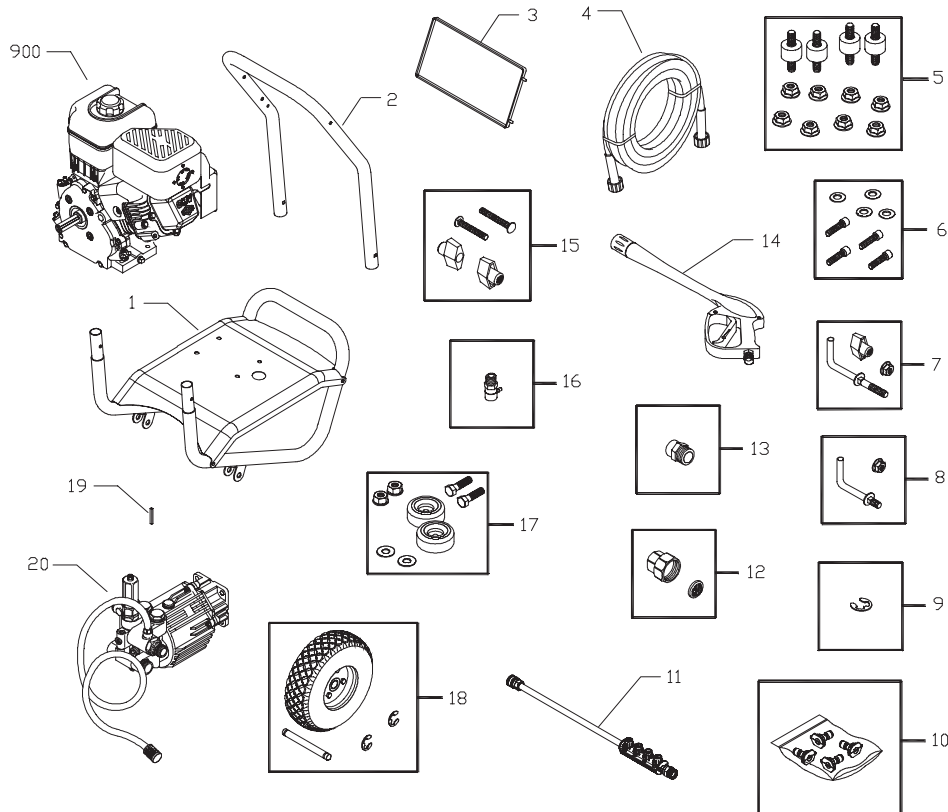
BRIGGS & STRATTON POWER PRODUCTS GROUP, LLC

JEFFERSON, WISCONSIN, U.S.A.

Model No. 020212-I (2,800 PSI Pressure Washer) Manual No. 197714A Revision I (01/17/2006)



EXPLODED VIEW AND PARTS LIST — MAIN UNIT



Item	Part #	Description
1	197722GS	BASE
2	B194718GS	HANDLE
3	194377GS	ASSY, Billboard
4	194564GS	HOSE
5	192134GS	KIT, Engine Mounting Hardware
6	192131GS	KIT, Pump Mounting Hardware
7	194264GS	KIT, Hook, Handle
8	192309GS	KIT, Hook, Base
9	191265GS	KIT, E-Ring
10	196902GS	KIT, Spray Tip
	195851ZZGS	Nozzle, Black
	195983WGS	Nozzle, Red
	195983XGS	Nozzle, Yellow
	195983ZGS	Nozzle, White
11	192199GS	ASSY, Extension
12	194004GS	KIT, Inlet, Hose, Grdn, Srv
13	95457GS	ADAPTER
14	B3263GS	GUN
15	B2203GS	KIT, Handle Connector
16	194298GS	VALVE, Thermal Relief

Item	Part #	Description
17	192310GS	KIT, Vibration Mount
18	192317GS	KIT, Wheel
19	23139DGS	KEY
20	194003GS	ASSY, Pump (see page 3)
900	§	ENGINE

Items Not Illustrated:

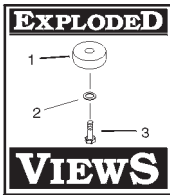
Part #	Description
197714GS	MANUAL, Operator's
BB3061BGS	OIL BOTTLE
MS5242	MANUAL, Engine
194482GS	KIT, Decal Srv

Optional Accessories:

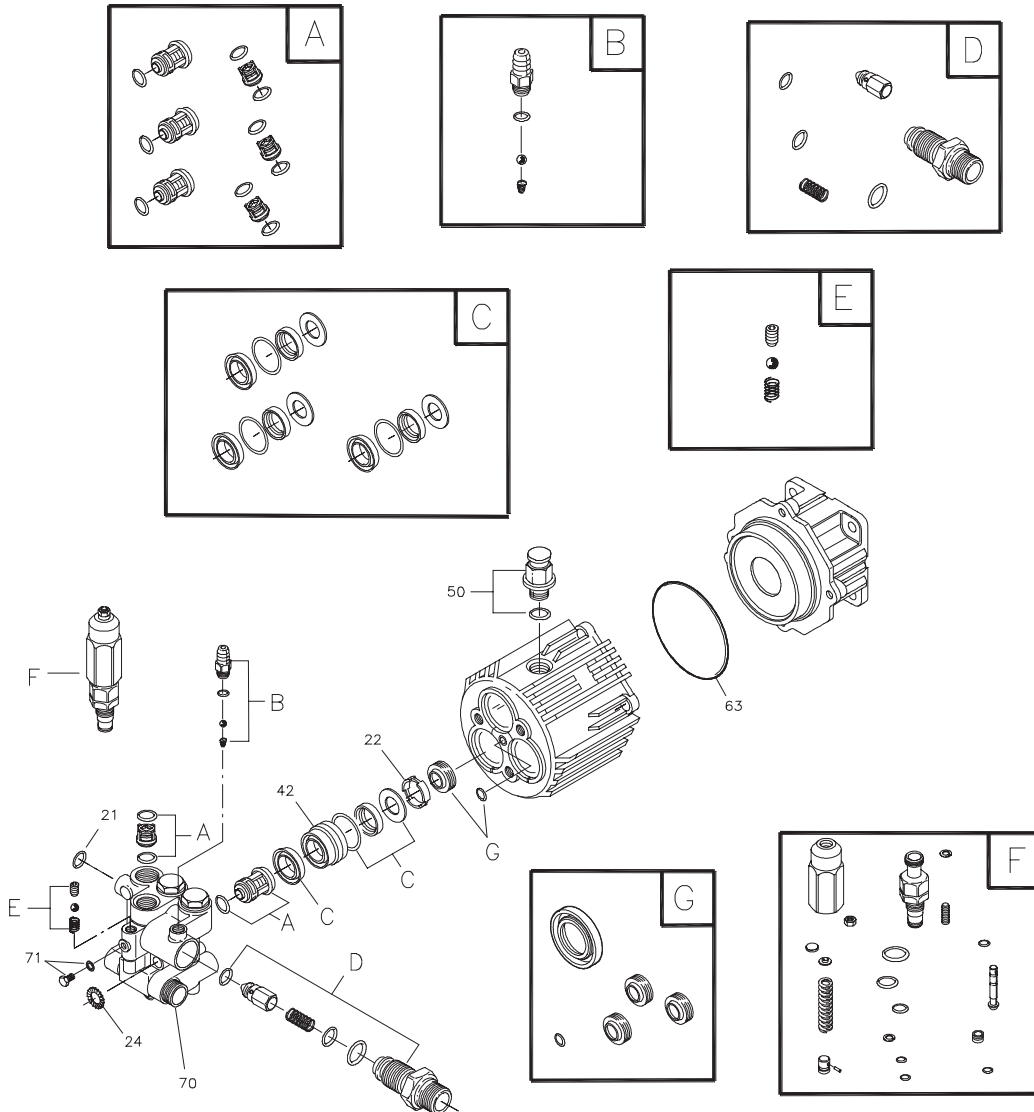
Part #	Description
100031	STABILIZER, Fuel
100516GS	KIT-O-Ring
6039	PUMP SAVER

§ - Contact Engine Manufacturer

Copyright © 2005 Briggs & Stratton Power Products Group, LLC. All rights reserved. No part of this material may be reproduced or transmitted in any form by any means without the express written permission of Briggs & Stratton Power Products Group, LLC.



EXPLODED VIEW AND PARTS LIST — PUMP



Item	Part #	Description
21	194434GS	O-RING
22	190639GS	SPACER
24	190640GS	WASHER
42	190646GS	PISTON, Guide
50	198160GS	VENT CAP, with O-Ring
63	194435GS	O-RING
70	190654GS	PUMP HEAD
71	190655GS	GRUB SCREW & WASHER
72	190656GS	OIL BOTTLE (not shown)

Item	Part #	Description
A	190657GS	KIT, CHECK VALVE
B	192914GS	KIT, CHEMICAL INJECT
C	190660GS	KIT, SEAL WATER
D	194426GS	KIT, INJECTOR
E	194427GS	KIT, BALL & SPRING
F	193126GS	KIT, UNLOADER
G	194425GS	KIT, SEAL OIL

NOTE: Item letters A - G are service kits and include all parts shown within the box.

Free Manuals Download Website

<http://myh66.com>

<http://usermanuals.us>

<http://www.somanuals.com>

<http://www.4manuals.cc>

<http://www.manual-lib.com>

<http://www.404manual.com>

<http://www.luxmanual.com>

<http://aubethermostatmanual.com>

Golf course search by state

<http://golfingnear.com>

Email search by domain

<http://emailbydomain.com>

Auto manuals search

<http://auto.somanuals.com>

TV manuals search

<http://tv.somanuals.com>