



ELITE Series™

Pressure Washer Lavador a Presión

Illustrated Parts List

**020215
(2450 PSI)**



Questions? Help is just a moment away!

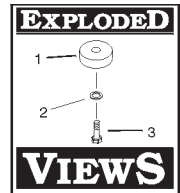
Preguntas? La ayuda es justa un momento lejos!

Call: **Pressure Washer Helpline - 1-800-743-4115 M-F 8-5 CT**

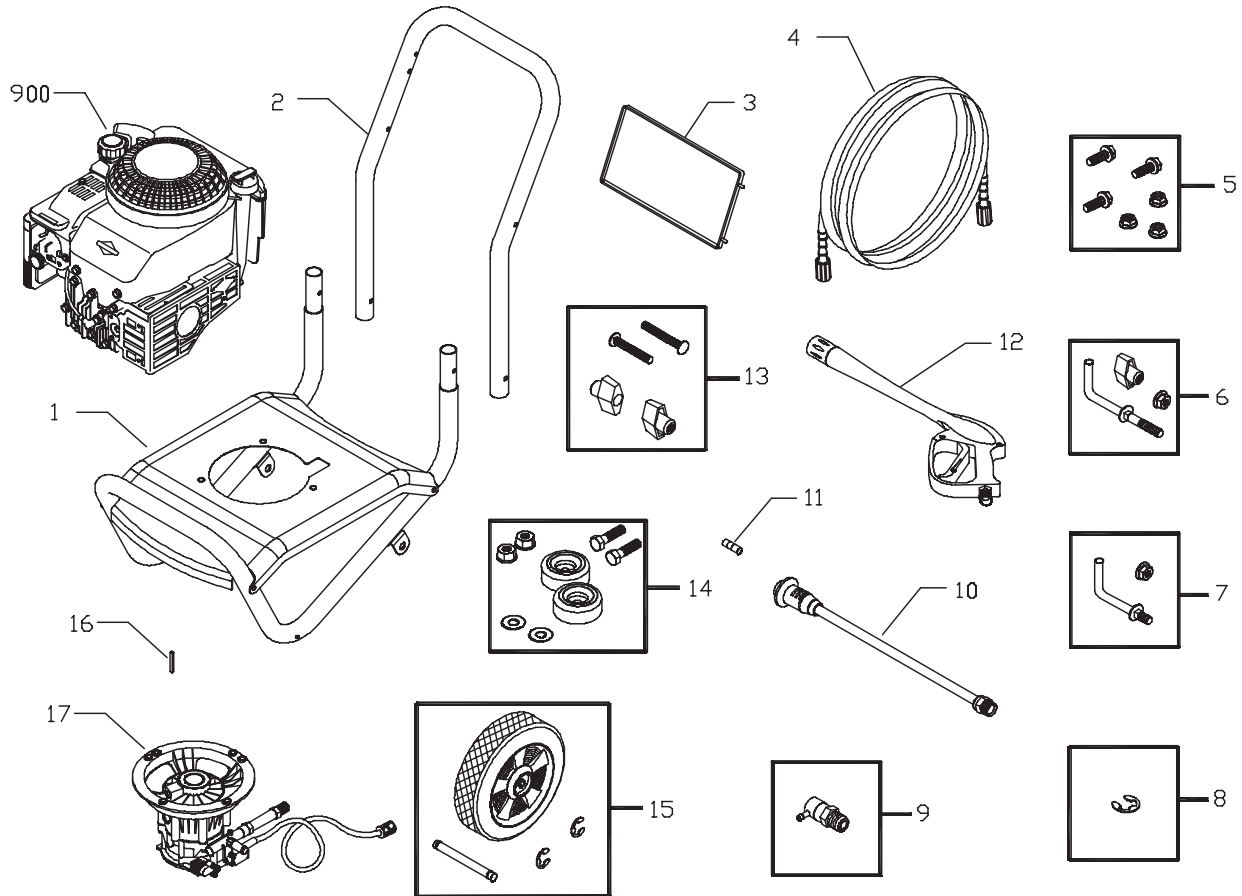
Llame: **Línea Directa del Lavador a Presión - 1-800-743-4115 M-F 8-5 CT**

**BRIGGS & STRATTON POWER PRODUCTS GROUP, LLC
JEFFERSON, WISCONSIN, U.S.A.**

Manual No. 194466A
Revision 0 (10/26/2004)



EXPLODED VIEW AND PARTS LIST — MAIN UNIT

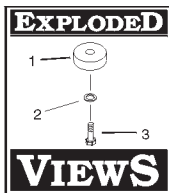


Item	Part #	Description	Item	Part #	Description
1	195339GS	BASE	11	21760GS	ORIFICE
2	B194718GS	HANDLE	12	B3263GS	GUN
3	194469GS	ASSY, Billboard with Decal	13	B2203GS	KIT, Handle Connector
4	190249GS	HOSE	14	192310GS	KIT, Vibration Mount
5	192645GS	KIT, Pump Mounting Hardware	15	192311GS	KIT, Wheel
6	194264GS	KIT, Hook, Handle	16	23139GS	KEY
7	192309GS	KIT, Hook, Base	17	194216GS	ASSY, Pump (see page 3)
8	192050GS	KIT, E-Ring	900	§	ENGINE
9	194298GS	VALVE, Thermal Relief			
10	188792HGS	WAND, Adjustable Nozzle			

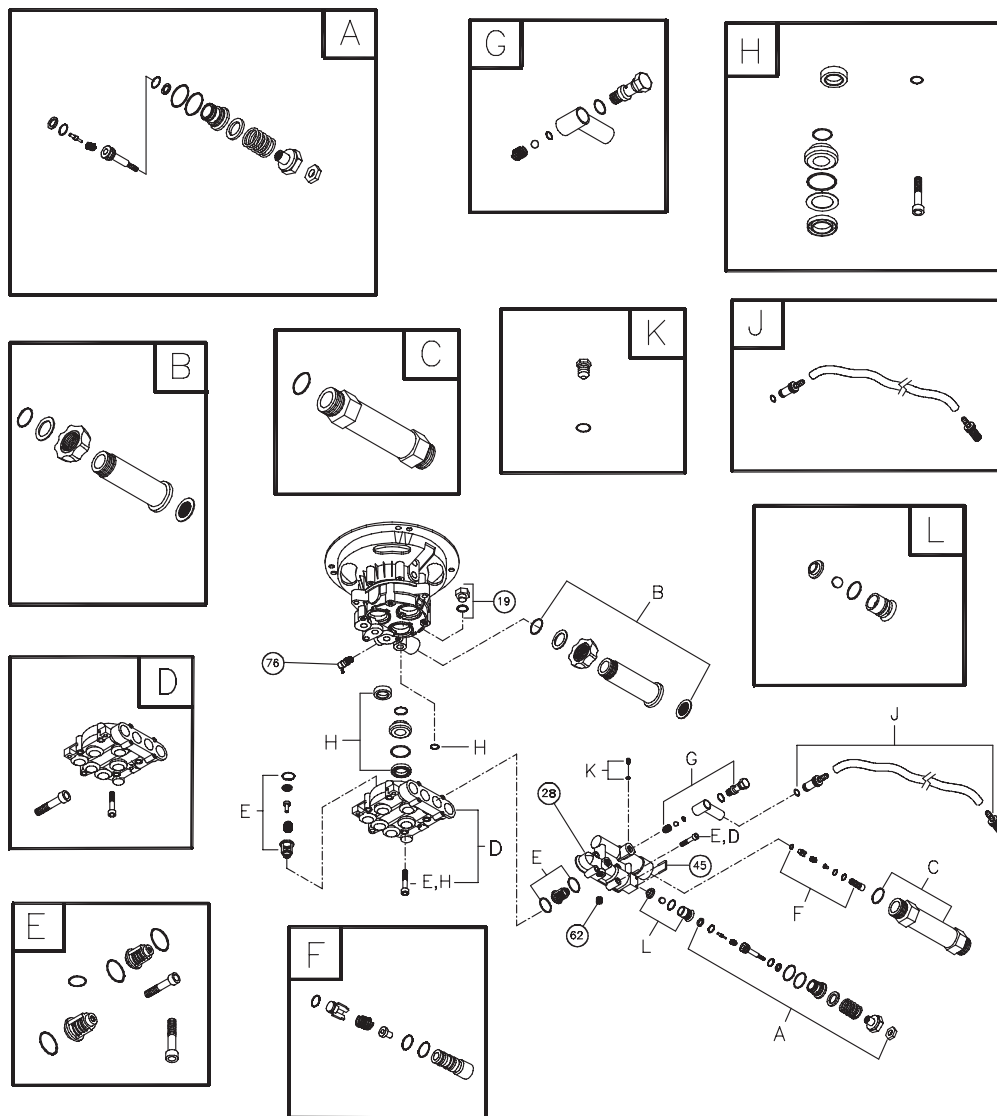
§ - Contact Engine Manufacturer

Items Not Illustrated:

Part #	Description
194466GS	MANUAL, Owner's
MS6847	MANUAL, Engine
194256GS	KIT, Tag, Warning with Clip
BB3061BGS	OIL, Engine
191922GS	KIT, O-RING MAINT & NZZL CLNNG



EXPLODED VIEW AND PARTS LIST — PUMP



Item	Part #	Description
19	190571GS	CAP, Oil, 5.5 - 6.5 NM
28	190627GS	MANIFOLD
45	190578GS	PIN
62	190581GS	CAP, 1/8
76	194298GS	THERMAL RELIEF
77	190586GS	OIL BOTTLE (not shown)
A	190594GS	KIT, UNLOADER STEM
B	190632GS	KIT, WATER INLET, ALUM
C	190634GS	KIT, OUTLET, ALUM
D	193808GS	KIT, HEAD BRASS

Item	Part #	Description
E	193806GS	KIT, CHECK VALVES
F	190592GS	KIT, INLET CHECK
G	190593GS	KIT, CHEMICAL INJECTION
H	193807GS	KIT, SEAL SET
J	189971GS	KIT, CHEMICAL HOSE
K	193971GS	KIT, PIPE FITTING
L	193972GS	KIT, UNLOADER SEAT

NOTE: Item letters A - L are service kits and include all parts shown within the box.

Free Manuals Download Website

<http://myh66.com>

<http://usermanuals.us>

<http://www.somanuals.com>

<http://www.4manuals.cc>

<http://www.manual-lib.com>

<http://www.404manual.com>

<http://www.luxmanual.com>

<http://aubethermostatmanual.com>

Golf course search by state

<http://golfingnear.com>

Email search by domain

<http://emailbydomain.com>

Auto manuals search

<http://auto.somanuals.com>

TV manuals search

<http://tv.somanuals.com>