



2200 PSI PRESSURE WASHER

Illustrated Parts List

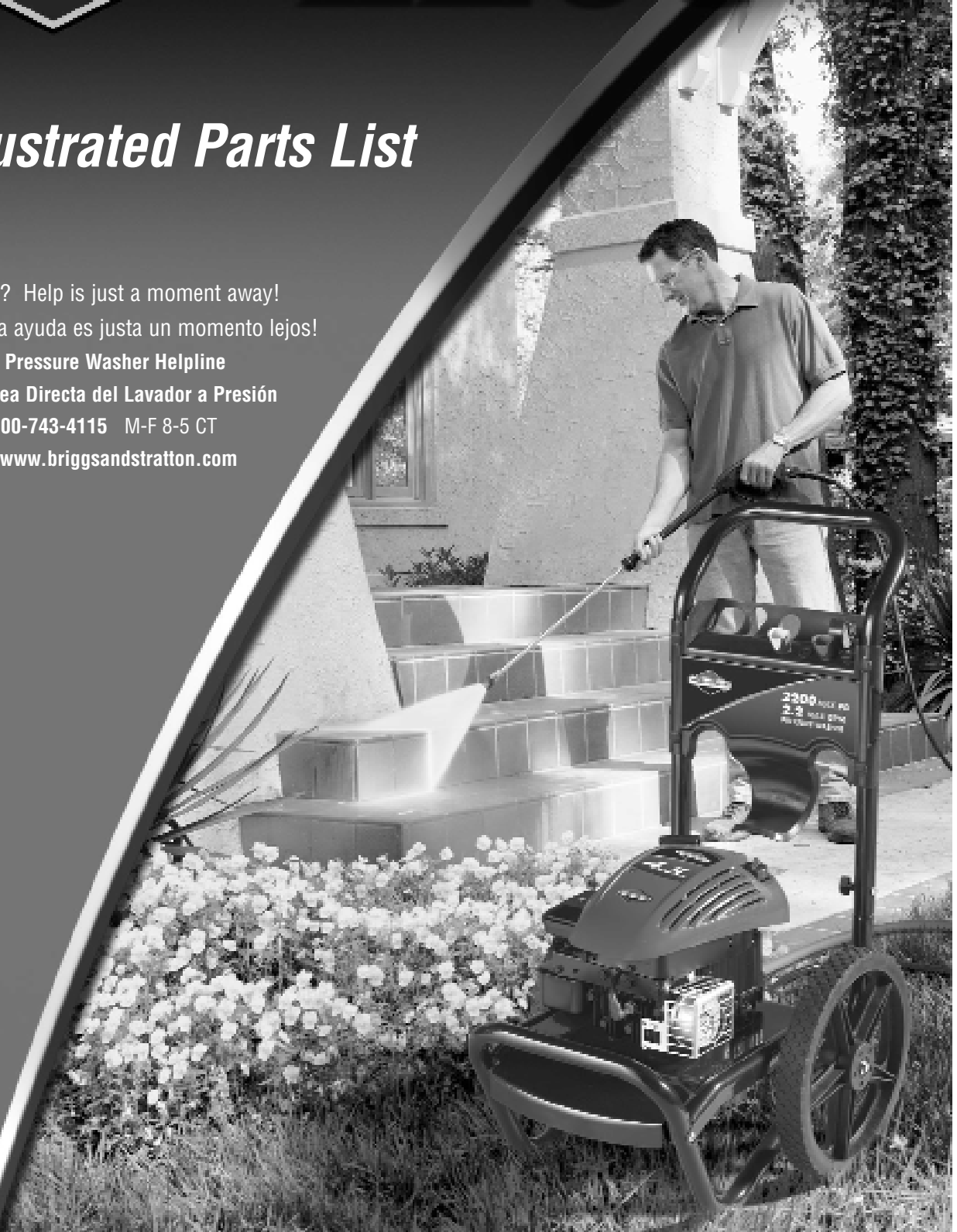
Questions? Help is just a moment away!
Preguntas? La ayuda es justa un momento lejos!

Call: **Pressure Washer Helpline**

Llame: **Línea Directa del Lavador a Presión**

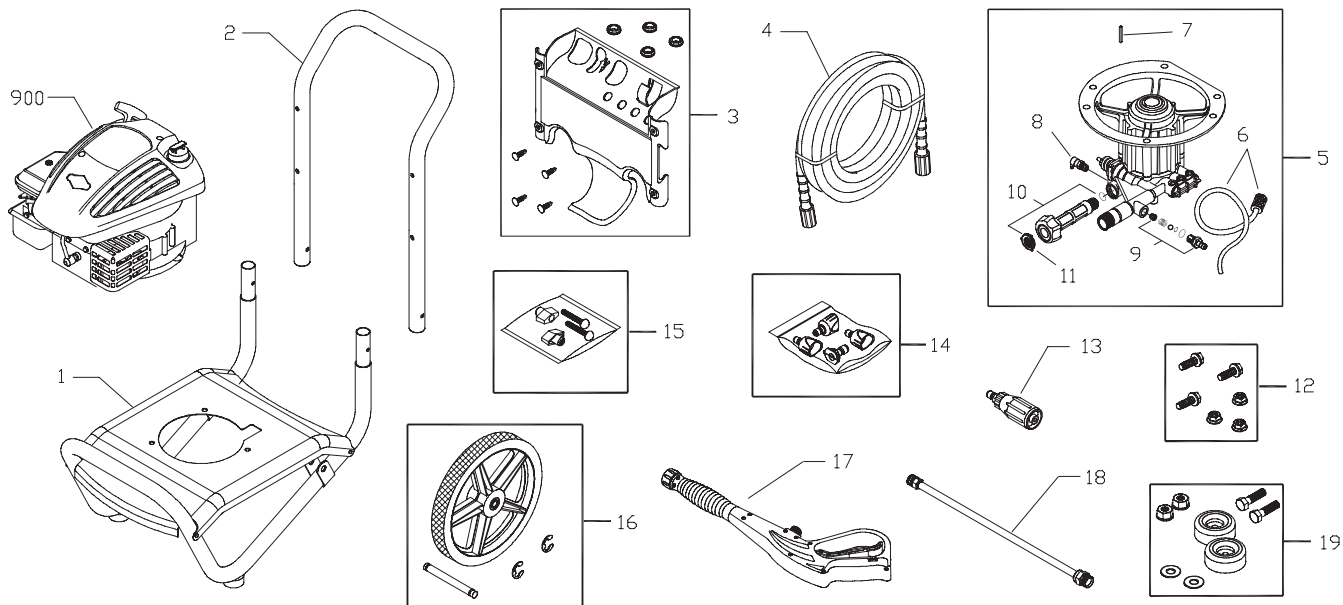
1-800-743-4115 M-F 8-5 CT

Web: www.briggsandstratton.com



Model No. 020228-2 Manual No. 197196B Rev. B (04/16/2008)

EXPLODED VIEW AND PARTS LIST — MAIN UNIT



Item	Part #	Description
1	196438GS	BASE, w/Mounts
2	S195428GS	HANDLE
3	196456GS	KIT, Billboard w/Decals
	195964GS	Clips, Tree
	30809GS	Grommet
4	196006GS	HOSE
5	200200GS	ASSY, Pump
6	189971GS	KIT, Chemical Hose
7	23139GS	KEY
8	194298GS	VALVE, Thermal Relief
9	200279GS	KIT, Chemical Injection
10	200278GS	KIT, Water Inlet
11	B2384GS	FILTER
12	192525GS	KIT, Pump Mounting Hardware
13	195854GS	TURBO, Nozzle
14	195943GS	KIT, Nozzles
	198841GS	Nozzle, Plastic, Soap
	195842AEGS	Nozzle, QC, Red
	201580XGS	Nozzle, QC, Orange
	195842RGS	Nozzle, QC, Yellow
15	B2203GS	KIT, Handle Connector

Item	Part #	Description
16	196439GS	KIT, Wheel
	195454GS	Axle
	192050GS	E-Ring
17	199117GS	GUN
18	200595GS	EXTENSION, QC
19	192310GS	KIT, Vibration Mount
900	§	ENGINE

Items Not Illustrated:

197196GS	MANUAL, Operator's
MS5573	MANUAL, Engine
194256GS	KIT, Tag/Waring Srv
275034	DECAL, Warning
BB3061BGS	OIL BOTTLE
87815GS	GOGGLES

Optional Accessories:

100516GS	KIT, O-Ring
6039	PUMP SAVER

§ - Contact Engine Manufacturer

Copyright © 2008 Briggs & Stratton Power Products Group, LLC. All rights reserved. No part of this material may be reproduced or transmitted in any form by any means without the express written permission of Briggs & Stratton Power Products Group, LLC.

Free Manuals Download Website

<http://myh66.com>

<http://usermanuals.us>

<http://www.somanuals.com>

<http://www.4manuals.cc>

<http://www.manual-lib.com>

<http://www.404manual.com>

<http://www.luxmanual.com>

<http://aubethermostatmanual.com>

Golf course search by state

<http://golfingnear.com>

Email search by domain

<http://emailbydomain.com>

Auto manuals search

<http://auto.somanuals.com>

TV manuals search

<http://tv.somanuals.com>