



Illustrated Parts List



Questions? Help is just a moment away!

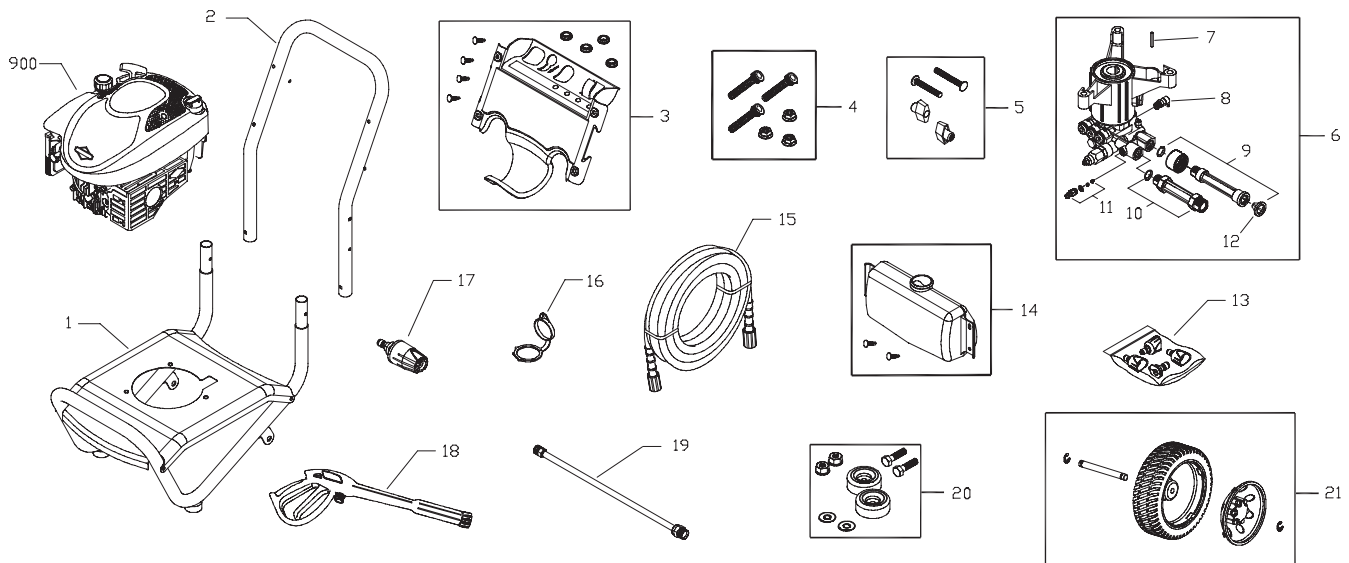
Call: **Pressure Washer Helpline**

1-800-743-4115 M-F 8-5 CT

BRIGGS & STRATTON POWER PRODUCTS GROUP, LLC
JEFFERSON, WISCONSIN, U.S.A.

Model No. 020306-3 (2550 PSI (175.8 BARS) Pressure Washer) Manual No. 205301A Revision - (03/19/2008)

Exploded View and Parts List — Main Unit



Item	Part #	Description
1	202481GS	BASE, w/Vibration Mounts
2	J199110GS	HANDLE
3	202762GS	KIT, Billboard Assy, w/Decals & Clips
	195964GS	Clip
	30809GS	Grommet
4	203526GS	KIT, Pump Mounting Hardware
5	B2203GS	KIT, Handle Connector
6	202274GS	ASSY, Pump
7	23139GS	Key
8	194298GS	Valve, Thermal Relief
9	201496GS	Kit, Water Inlet
10	201497GS	Kit, Water Outlet
11	192914GS	Kit, Hose Tail
12	B2384GS	Filter, Inlet
13	202181GS	KIT, Nozzle
	201580RGS	Nozzle, Project Pro, Yellow
	201580XGS	Nozzle, Project Pro, Orange
	201580AEGS	Nozzle, Project Pro, Red
	198841GS	Nozzle, Plastic, Soap
14	205369GS	ASSY, Chemical Tank
	192980GS	Kit, Valve
	195964GS	Clip
15	202017GS	HOSE
16	B3222EGS	CAP, Chemical Container
17	198730GS	ASSY, Turbo Max

Item	Part #	Description
18	204627GS	GUN
19	200595GS	EXTENSION
20	192310GS	KIT, Vibration Mount
21	202483GS	KIT, Wheel
	203872GS	Axle
	200520GS	Hubcap
	192050GS	E-Ring
900	§	ENGINE

Items Not Illustrated:

205301GS	MANUAL, Operator's
BB3061BGS	OIL BOTTLE
87815GS	GOGGLES
A1040NGS	HOSE, Chemical
794693	LABEL, Warning
794706	COVER, Static/Label Assy
200672GS	DECAL, Caution, Hearing
202215GS	DECAL, Eng, Shroud
195015GS	KIT, Tag Warning, English/French

Optional Accessories

6039	PUMP SAVER
6048	KIT, O-Ring Maintenance

§ - Contact Engine Manufacturer

Copyright © 2008 Briggs & Stratton Power Products Group, LLC. All rights reserved. No part of this material may be reproduced or transmitted in any form by any means without the express written permission of Briggs & Stratton Power Products Group, LLC.

Free Manuals Download Website

<http://myh66.com>

<http://usermanuals.us>

<http://www.somanuals.com>

<http://www.4manuals.cc>

<http://www.manual-lib.com>

<http://www.404manual.com>

<http://www.luxmanual.com>

<http://aubethermostatmanual.com>

Golf course search by state

<http://golfingnear.com>

Email search by domain

<http://emailbydomain.com>

Auto manuals search

<http://auto.somanuals.com>

TV manuals search

<http://tv.somanuals.com>