



Illustrated Parts List



This pressure washer is rated in accordance to the Pressure Washer Manufacture Association (PWMA) standard PW101 (Testing and Rating Performance of Pressure Washers).

Questions? Help is just a moment away!

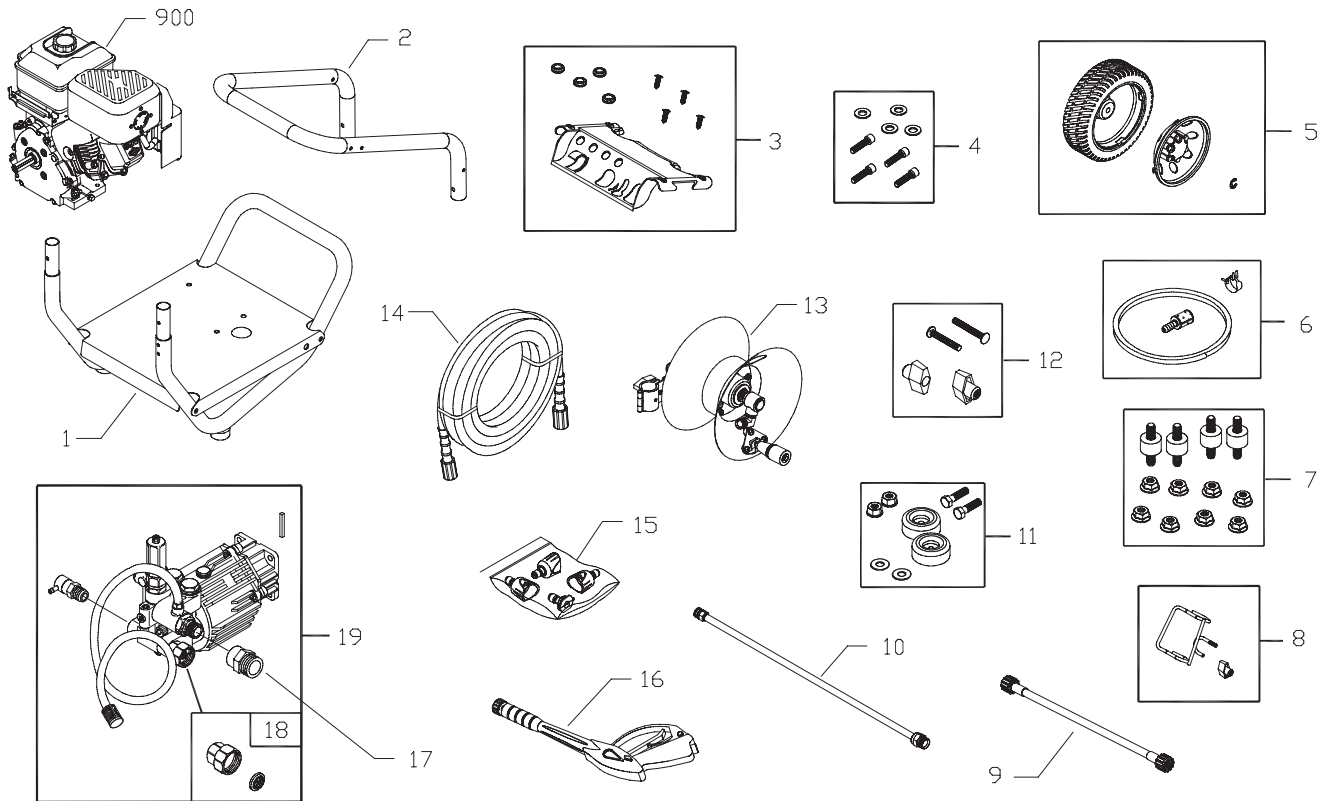
Call: **Pressure Washer Helpline**

1-800-743-4115 M-F 8-5 CT

BRIGGS & STRATTON POWER PRODUCTS GROUP, LLC
JEFFERSON, WISCONSIN, U.S.A.

Model No. 020364-1 (3400 PSI (234.4 BARS) Pressure Washer) Manual No. 206859A Revision - (04/14/2008)

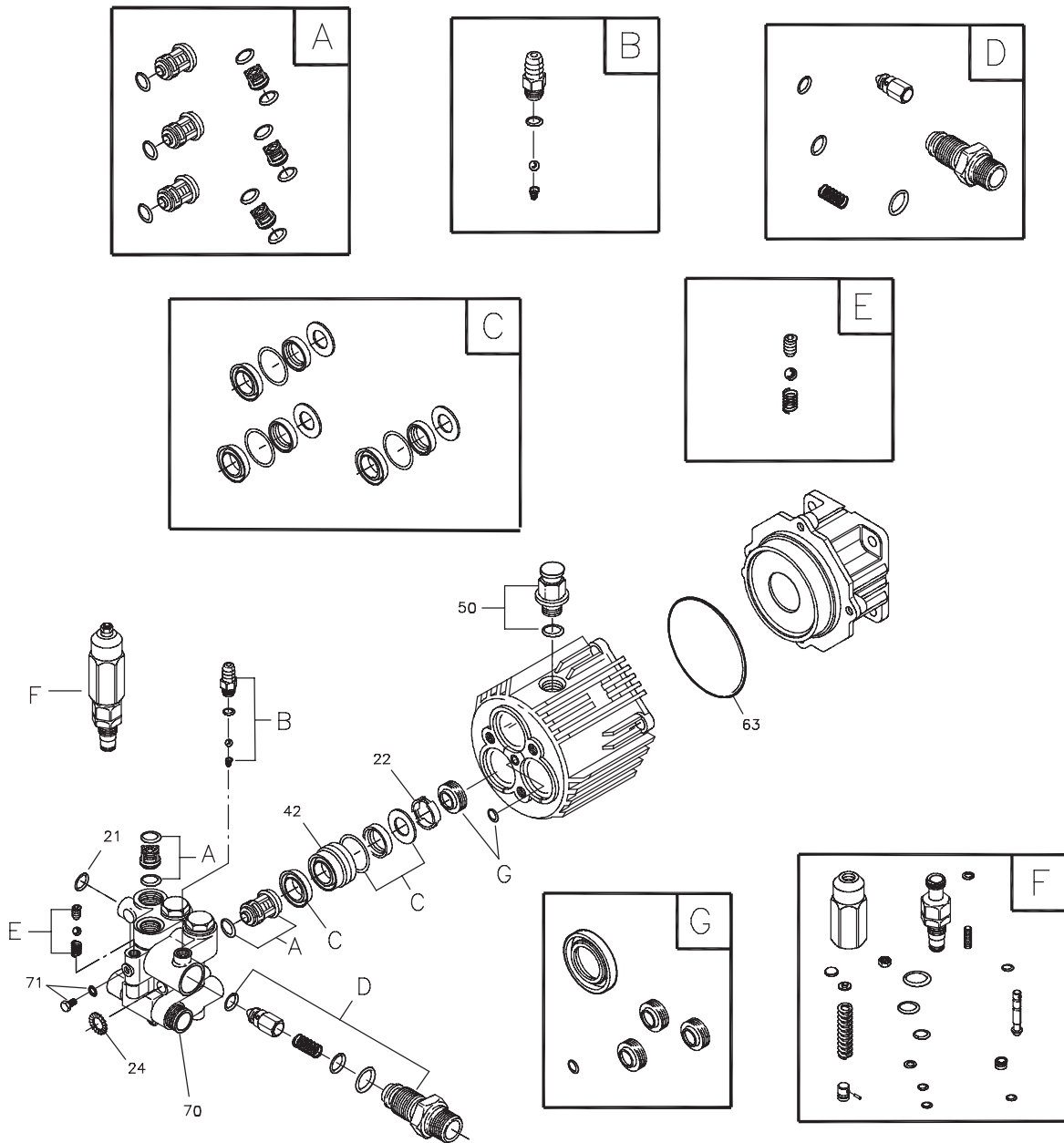
Exploded View and Parts List — Main Unit



Item	Part #	Description	Item	Part #	Description
1	202862GS	ASSY, Base	16	199990GS	GUN
2	Y201499GS	HANDLE	17	95457GS	ADAPTER
3	202854GS	KIT, Billboard/Decals, w/Clips	18	194004GS	KIT, Inlet, Garden Hose
	195964GS	Clips, Tree	19	202005GS	ASSY, Pump
	30809GS	Grommet		194298GS	Valve, Thermal Relief
4	192131GS	KIT, Pump Mounting Hardware		23139DGS	Key
5	203083GS	KIT, Wheel	900	§	ENGINE
	200520GS	Hubcap	Items Not Illustrated		
	192050GS	E-Ring	206859GS		MANUAL, Operator's
6	192796GS	KIT, Chem Hose & Filter	87815GS		GOGGLES
7	192134GS	KIT, Engine Mounting Hardwire	BB3061BGS		OIL BOTTLE
8	201661GS	KIT, Gun Holder Weldment	201314GS		AXLE
9	202418GS	HOSE, Whip	695755		KNOB, Throttle
10	193814GS	EXTENSION, QC	202367GS		KIT, Decals
11	192553GS	KIT, Vibration Mount	194256GS		KIT, Tag Warning, w/Clip
12	B2203GS	KIT, Handle Fastening	Optional Accessories		
13	202136GS	ASSY, Hose Reel	6048		KIT, O-Ring Maintenance
	203488GS	Kit, Hardware, Hose Reel	6039		PUMP SAVER
14	202419GS	HOSE	§ - Contact Engine Manufacturer		
15	202182GS	KIT, Nozzle			
	201580RGS	Nozzle, QC, Project Pro, Yellow			
	201580XGS	Nozzle, QC, Project Pro, Orange			
	201580AAGS	Nozzle, QC, Project Pro, Red			
	198841GS	Nozzle, Plastic, Soap			

Copyright © 2008 Briggs & Stratton Power Products Group, LLC. All rights reserved. No part of this material may be reproduced or transmitted in any form by any means without the express written permission of Briggs & Stratton Power Products Group, LLC.

Exploded View and Parts List — Pump



Item	Part #	Description
21	194434GS	O-RING
22	190639GS	SPACER
24	190640GS	WASHER
42	190646GS	PISTON, Guide
50	198160GS	VENT CAP, with O-Ring
63	194435GS	O-RING
70	190654GS	PUMP HEAD
71	190655GS	GRUB SCREW & WASHER
A	190657GS	KIT, CHECK VALVE
B	192914GS	KIT, CHEMICAL INJECT
C	190660GS	KIT, SEAL WATER
D	194426GS	KIT, INJECTOR

Item	Part #	Description
E	194427GS	KIT, BALL & SPRING
F	193126GS	KIT, UNLOADER
G	194425GS	KIT, SEAL OIL

Parts Not Illustrated

190656GS	OIL BOTTLE
B2384GS	FILTER, Inlet

NOTE: Item letters A - G are service kits and include all parts shown within the box.

Free Manuals Download Website

<http://myh66.com>

<http://usermanuals.us>

<http://www.somanuals.com>

<http://www.4manuals.cc>

<http://www.manual-lib.com>

<http://www.404manual.com>

<http://www.luxmanual.com>

<http://aubethermostatmanual.com>

Golf course search by state

<http://golfingnear.com>

Email search by domain

<http://emailbydomain.com>

Auto manuals search

<http://auto.somanuals.com>

TV manuals search

<http://tv.somanuals.com>