



- (en) **Operator's Manual**
- (bg) **Инструкции за експлоатация**
- (cs) **Návod k obsluze**
- (et) **Kasutusjuhend**
- (hr) **Priručnik za operatora**
- (hu) **Kezelési útmutató**
- (it) **Naudojimo instrukcija**
- (lv) **Operatora rokasgrāmata**
- (pl) **Instrukcja obsługi**
- (ro) **Manual de utilizare**
- (ru) **Руководство по эксплуатации**
- (sk) **Pokyny na obsluhu a údržbu**
- (sl) **Priročnik za uporabo**

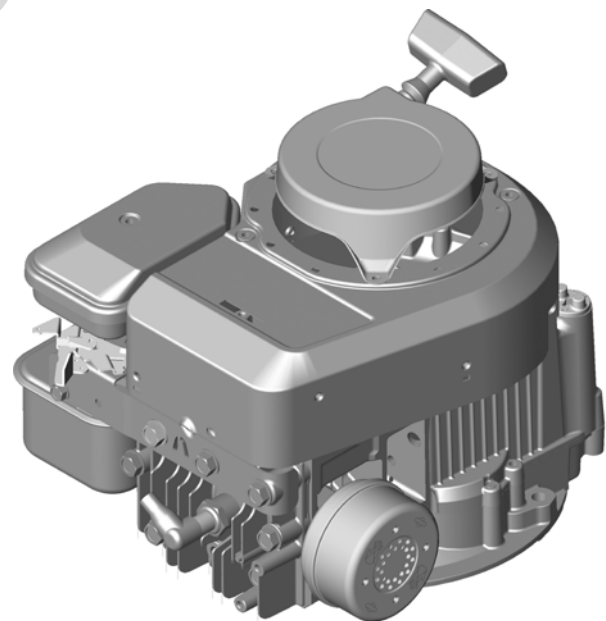
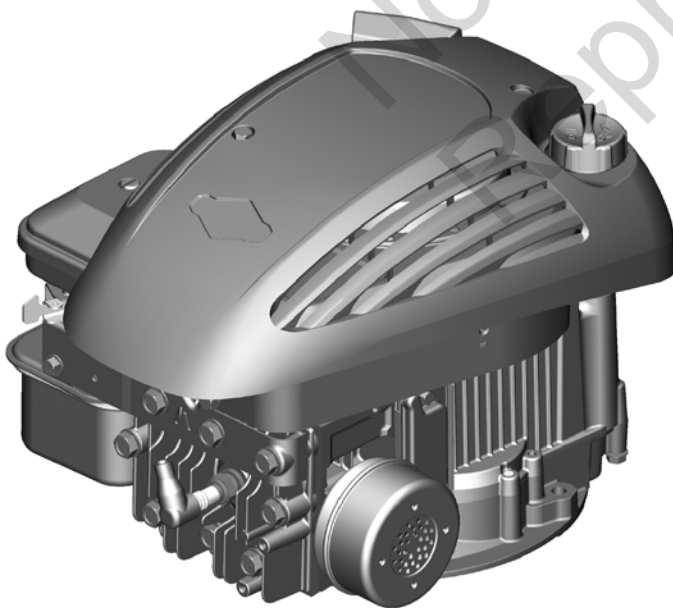


Model 90000

300 Series™
Classic™ 450 Series™
Sprint™ 475 Series™
Quattro™ 475 Series™

Model 100000

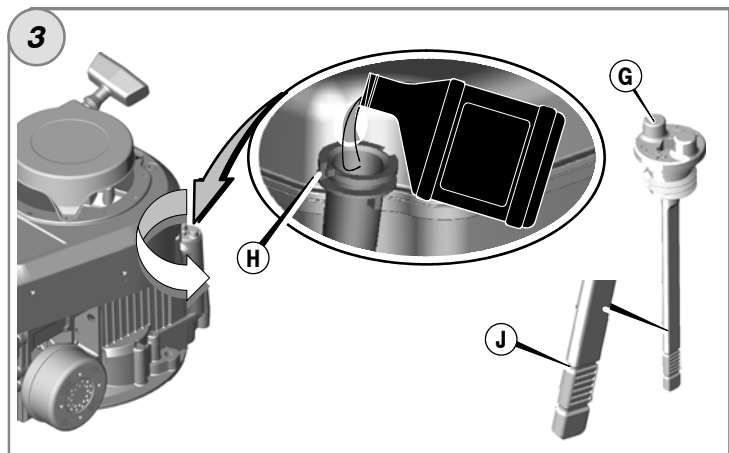
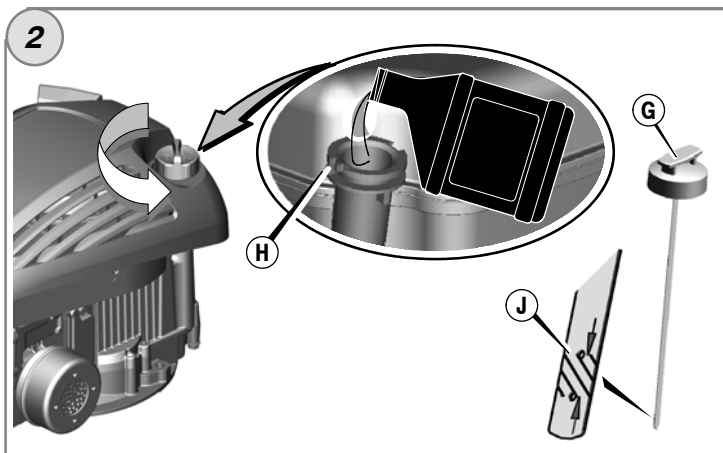
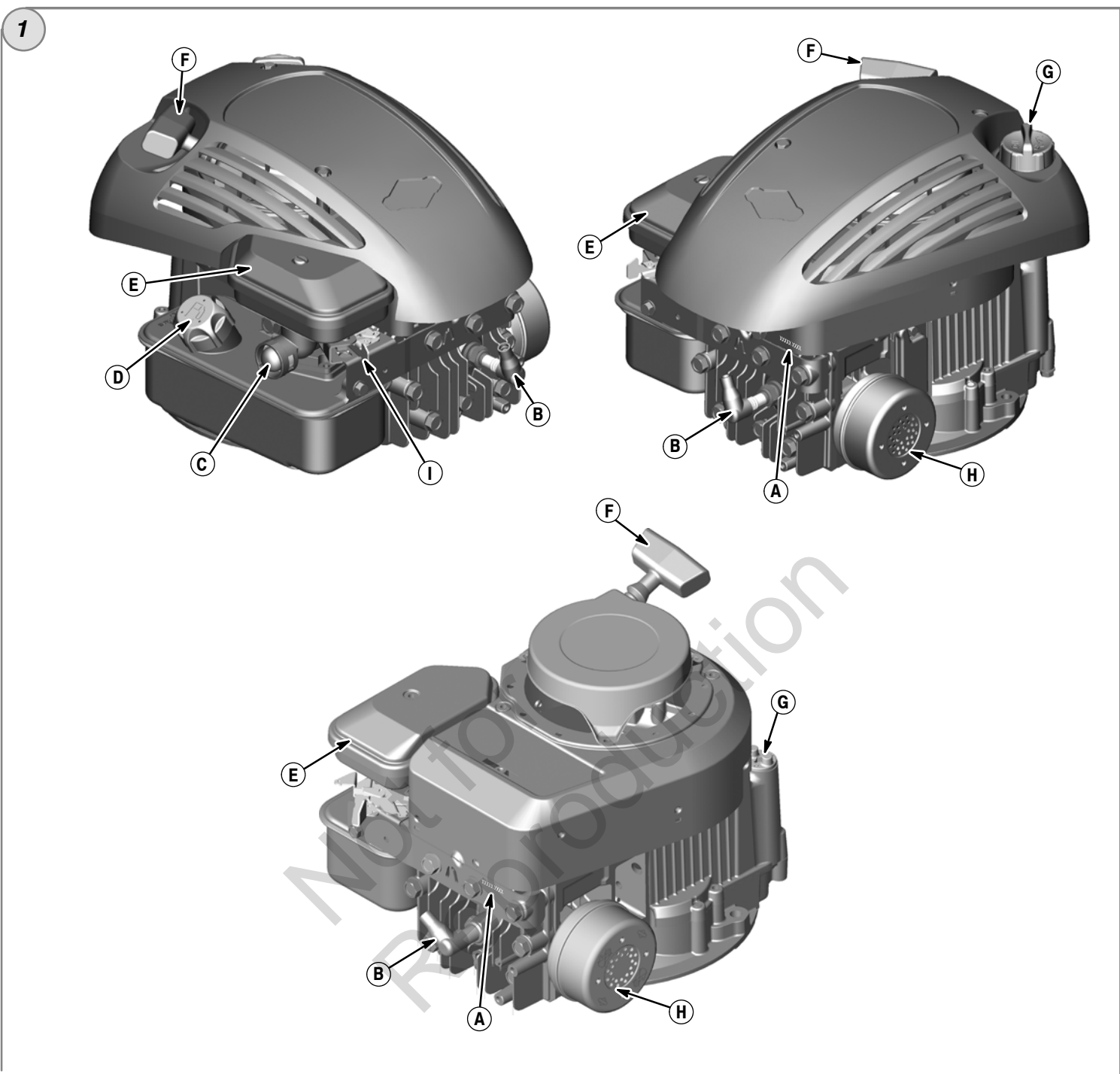
Sprint™ 500 Series™
Quattro™ 500 Series™
LX 500 Series™
SQ® 500 Series™
Q™ 500/550 Series™

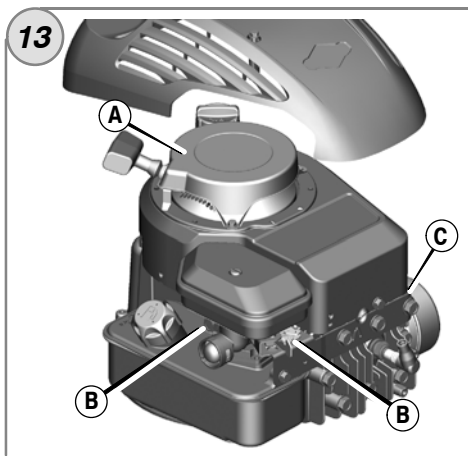
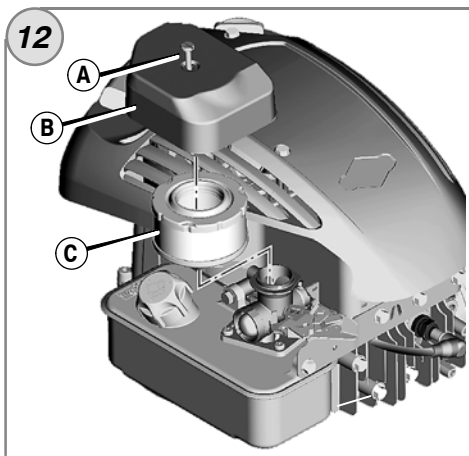
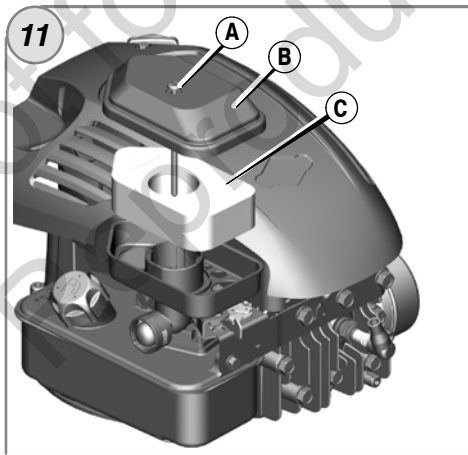
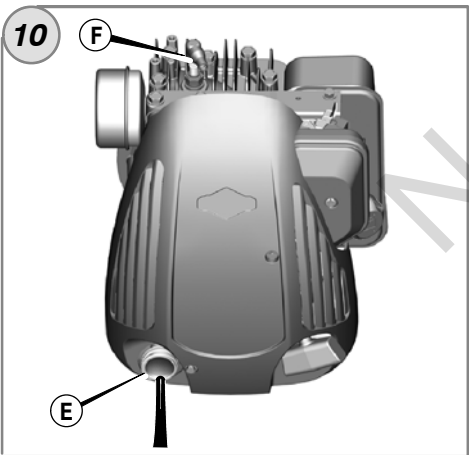
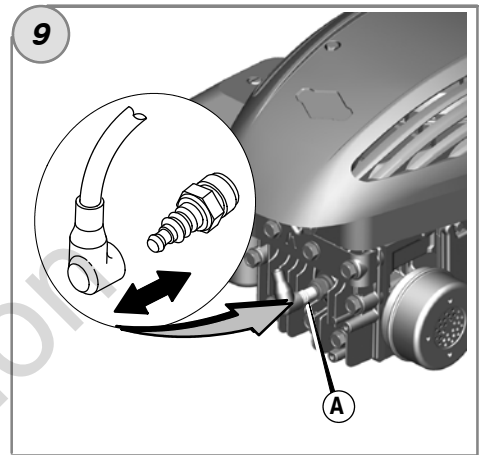
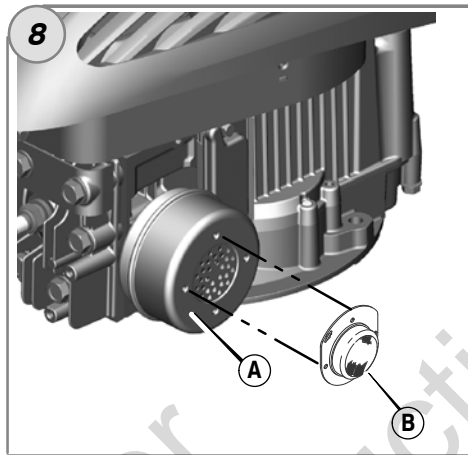
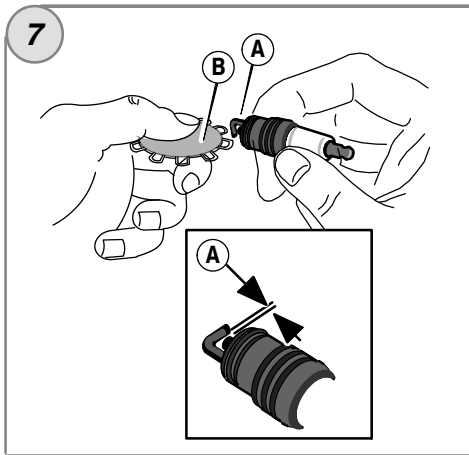
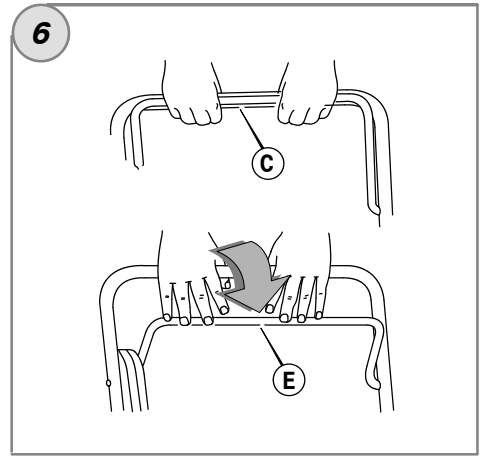
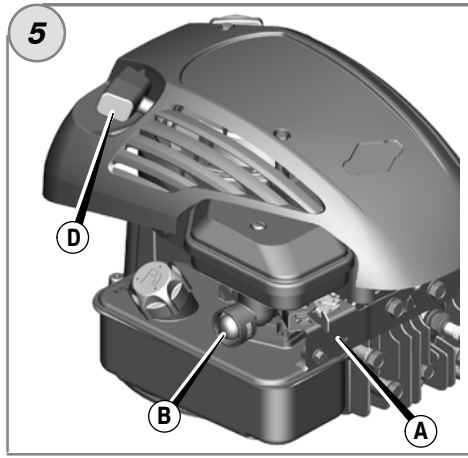
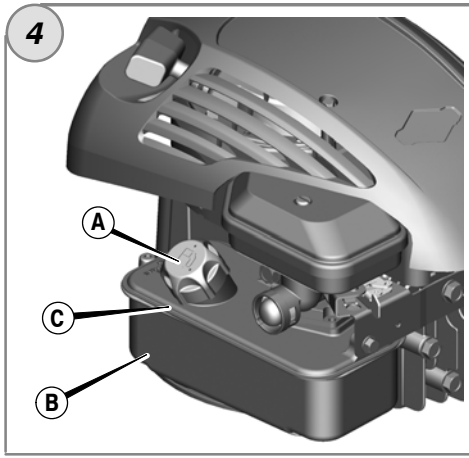


Copyright © 2013 Briggs & Stratton Corporation,
Milwaukee, WI, USA. All rights reserved.
Briggs & Stratton is a registered trademark
of Briggs & Stratton Corporation.

Form No. 277038EST
Revision: M

English	Български	Čeština	eesti keel	Hrvatski	Magyar	Lietuvių	Latviešu	Polski	Română	Русский	Slovenčina	Slovenija
en	bg	cs	et	hr	hu	lt	lv	pl	ro	ru	sk	sl





General Information

This manual contains safety information to make you aware of the hazards and risks associated with engines and how to avoid them. It also contains instructions for the proper use and care of the engine. Because Briggs & Stratton Corporation does not necessarily know what equipment this engine will power, it is important that you read and understand these instructions and the instructions for the equipment. **Save these original instructions for future reference.**

For replacement parts or technical assistance, record below the engine model, type, and code numbers along with the date of purchase. These numbers are located on your engine (see the **Features and Controls** page).

Date of purchase: _____
MM/DD/YYYY

Engine model: _____
Model: Type: Code:

Power Ratings: The gross power rating for individual gasoline engine models is labeled in accordance with SAE (Society of Automotive Engineers) code J1940 Small Engine Power & Torque Rating Procedure, and is rated in accordance with SAE J1995. Torque values are derived at 2600 RPM for those engines with "rpm" called out on the label and 3060 RPM for all others; horsepower values are derived at 3600 RPM. The gross power curves can be viewed at www.BRIGGSandSTRATTON.COM. Net power values are taken with exhaust and air cleaner installed whereas gross power values are collected without these attachments. Actual gross engine power will be higher than net engine power and is affected by, among other things, ambient operating conditions and engine-to-engine variability. Given the wide array of products on which engines are placed, the gasoline engine may not develop the rated gross power when used in a given piece of power equipment. This difference is due to a variety of factors including, but not limited to, the variety of engine components (air cleaner, exhaust, charging, cooling, carburetor, fuel pump, etc.), application limitations, ambient operating conditions (temperature, humidity, altitude), and engine-to-engine variability. Due to manufacturing and capacity limitations, Briggs & Stratton may substitute an engine of higher rated power for this engine.

Operator Safety

SAFETY AND CONTROL SYMBOLS



The safety alert symbol is used to identify safety information about hazards that can result in personal injury. A signal word (DANGER, WARNING, or CAUTION) is used with the alert symbol to indicate the likelihood and the potential severity of injury. In addition, a hazard symbol may be used to represent the type of hazard.

- DANGER** indicates a hazard which, if not avoided, **will result in death or serious injury.**
- WARNING** indicates a hazard which, if not avoided, **could result in death or serious injury.**
- CAUTION** indicates a hazard which, if not avoided, **could result in minor or moderate injury.**

NOTICE indicates a situation that **could result in damage to the product.**

WARNING
Certain components in this product and its related accessories contain chemicals known to the State of California to cause cancer, birth defects, or other reproductive harm. Wash hands after handling.

WARNING
The engine exhaust from this product contains chemicals known to the State of California to cause cancer, birth defects, or other reproductive harm.

WARNING
Briggs & Stratton Engines are not designed for and are not to be used to power: fun-karts; go-karts; children's, recreational, or sport all-terrain vehicles (ATVs); motorbikes; hovercraft; aircraft products; or vehicles used in competitive events not sanctioned by Briggs & Stratton. For information about competitive racing products, see www.briggsracing.com. For use with utility and side-by-side ATVs, please contact Briggs & Stratton Engine Application Center, 1-866-927-3349. Improper engine application may result in serious injury or death.

NOTICE: This engine was shipped from Briggs & Stratton without oil. Before you start the engine, make sure you add oil according to the instructions in this manual. If you start the engine without oil, it will be damaged beyond repair and will not be covered under warranty.



WARNING



Fuel and its vapors are extremely flammable and explosive.
Fire or explosion can cause severe burns or death.

When Adding Fuel

- Turn engine off and let engine cool at least 2 minutes before removing the fuel cap.
- Fill fuel tank outdoors or in well-ventilated area.
- Do not overfill fuel tank. To allow for expansion of the fuel, do not fill above the bottom of the fuel tank neck.
- Keep fuel away from sparks, open flames, pilot lights, heat, and other ignition sources.
- Check fuel lines, tank, cap, and fittings frequently for cracks or leaks. Replace if necessary
- If fuel spills, wait until it evaporates before starting engine.

When Starting Engine

- Ensure that spark plug, muffler, fuel cap and air cleaner (if equipped) are in place and secured.
- Do not crank engine with spark plug removed.
- If engine floods, set choke (if equipped) to OPEN/RUN position, move throttle (if equipped) to FAST position and crank until engine starts.

When Operating Equipment

- Do not tip engine or equipment at angle which causes fuel to spill.
- Do not choke the carburetor to stop engine.
- Never start or run the engine with the air cleaner assembly (if equipped) or the air filter (if equipped) removed.

When Changing Oil

- When you drain the oil from the top oil fill tube, the fuel tank must be empty or fuel can leak out and result in a fire or explosion.

When Tipping Unit for Maintenance

- When performing maintenance that requires the unit to be tipped, the fuel tank must be empty or fuel can leak out and result in a fire or explosion.

When Transporting Equipment

- Transport with fuel tank EMPTY or with fuel shut-off valve OFF.

When Storing Fuel Or Equipment With Fuel In Tank

- Store away from furnaces, stoves, water heaters or other appliances that have pilot lights or other ignition sources because they can ignite fuel vapors.



WARNING



Rapid retraction of starter cord (kickback) will pull hand and arm toward engine faster than you can let go.

Broken bones, fractures, bruises or sprains could result.

- When starting engine, pull the starter cord slowly until resistance is felt and then pull rapidly to avoid kickback.
- Remove all external equipment/engine loads before starting engine.
- Direct-coupled equipment components such as, but not limited to, blades, impellers, pulleys, sprockets, etc., must be securely attached.



WARNING



Rotating parts can contact or entangle hands, feet, hair, clothing, or accessories.

Traumatic amputation or severe laceration can result.

- Operate equipment with guards in place.
- Keep hands and feet away from rotating parts.
- Tie up long hair and remove jewelry.
- Do not wear loose-fitting clothing, dangling drawstrings or items that could become caught.



WARNING



Running engines produce heat. Engine parts, especially muffler, become extremely hot.

Severe thermal burns can occur on contact.



Combustible debris, such as leaves, grass, brush, etc. can catch fire.

- Allow muffler, engine cylinder and fins to cool before touching.
- Remove accumulated debris from muffler area and cylinder area.
- It is a violation of California Public Resource Code, Section 4442, to use or operate the engine on any forest-covered, brush-covered, or grass-covered land unless the exhaust system is equipped with a spark arrester, as defined in Section 4442, maintained in effective working order. Other states or federal jurisdictions may have similar laws. Contact the original equipment manufacturer, retailer, or dealer to obtain a spark arrester designed for the exhaust system installed on this engine.



WARNING



Starting engine creates sparking.
Sparking can ignite nearby flammable gases.
Explosion and fire could result.

- If there is natural or LP gas leakage in area, do not start engine.
- Do not use pressurized starting fluids because vapors are flammable.



WARNING



POISONOUS GAS HAZARD. Engine exhaust contains carbon monoxide, a poisonous gas that could kill you in minutes. You CANNOT see it, smell it, or taste it. Even if you do not smell exhaust fumes, you could still be exposed to carbon monoxide gas. If you start to feel sick, dizzy, or weak while using this product, shut it off and get to fresh air RIGHT AWAY. See a doctor. You may have carbon monoxide poisoning.

- Operate this product ONLY outside far away from windows, doors and vents to reduce the risk of carbon monoxide gas from accumulating and potentially being drawn towards occupied spaces.
- Install battery-operated carbon monoxide alarms or plug-in carbon monoxide alarms with battery back-up according to the manufacturer's instructions. Smoke alarms cannot detect carbon monoxide gas.
- DO NOT run this product inside homes, garages, basements, crawlspaces, sheds, or other partially-enclosed spaces even if using fans or opening doors and windows for ventilation. Carbon monoxide can quickly build up in these spaces and can linger for hours, even after this product has shut off.
- ALWAYS place this product downwind and point the engine exhaust away from occupied spaces.



WARNING



Unintentional sparking can result in fire or electric shock.

Unintentional start-up can result in entanglement, traumatic amputation, or laceration.

Fire hazard



Before performing adjustments or repairs:

- Disconnect the spark plug wire and keep it away from the spark plug.
- Disconnect battery at negative terminal (only engines with electric start.)
- Use only correct tools.
- Do not tamper with governor spring, links or other parts to increase engine speed.
- Replacement parts must be of the same design and installed in the same position as the original parts. Other parts may not perform as well, may damage the unit, and may result in injury.
- Do not strike the flywheel with a hammer or hard object because the flywheel may later shatter during operation.

When testing for spark:

- Use approved spark plug tester.
- Do not check for spark with spark plug removed.

Features and Controls

Compare the illustration **1** with your engine to familiarize yourself with the location of various features and controls.

- A. Engine Identification
Model Type Code
- B. Spark Plug
- C. Primer
- D. Fuel Tank and Cap
- E. Air Cleaner
- F. Starter Cord Handle
- G. Dipstick
- H. Muffler
Muffler Guard (if equipped)
Spark Arrester (if equipped)
- I. Throttle Control (if equipped)

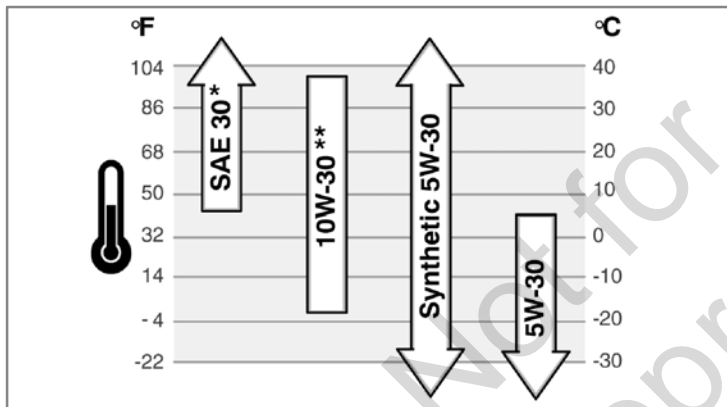
Operation

Oil capacity (see the **Specifications** section)

Oil Recommendations

We recommend the use of Briggs & Stratton Warranty Certified oils for best performance. Other high-quality detergent oils are acceptable if classified for service SF, SG, SH, SJ or higher. Do not use special additives.

Outdoor temperatures determine the proper oil viscosity for the engine. Use the chart to select the best viscosity for the outdoor temperature range expected.



* Below 40°F (4°C) the use of SAE 30 will result in hard starting.

** Above 80°F (27°C) the use of 10W-30 may cause increased oil consumption. Check oil level more frequently.

How To Check/Add Oil - Figure 2 3

Before adding or checking the oil

- Place engine level.
 - Clean the oil fill area of any debris.
1. Remove the dipstick (G) and wipe with a clean cloth (Figure 2, Figure 3).
 2. Insert and tighten the dipstick.
 3. Remove the dipstick and check the oil level. It should be at the top of the full indicator (J) on the dipstick.
 4. If low, add oil slowly into the engine oil fill (H). **Do not overfill.** After adding oil, wait one minute and then recheck the oil level.
 5. Replace and tighten the dipstick.

Low Oil Protection System (if equipped)

Some engines are equipped with a low oil sensor. If the oil is low, the sensor will either activate a warning light or stop the engine. Stop the engine and follow these steps before restarting the engine.

- Make sure the engine is level.
- Check the oil level. See the **How To Check/Add Oil** section.
- If the oil level is low, add the proper amount of oil. Start the engine and make sure the warning light (if equipped) is not activated.
- If the oil level is not low, **do not start** the engine. Contact an Authorized Briggs & Stratton Dealer to have the the oil problem corrected.

Fuel Recommendations

Fuel must meet these requirements:

- Clean, fresh, unleaded gasoline.
- A minimum of 87 octane/87 AKI (91 RON). High altitude use, see below.
- Gasoline with up to 10% ethanol (gasohol) is acceptable.

CAUTION: Do not use unapproved gasolines, such as E15 and E85. Do not mix oil in gasoline or modify the engine to run on alternate fuels. Use of unapproved fuels will damage the engine components and **void the engine warranty.**


To protect the fuel system from gum formation, mix a fuel stabilizer into the fuel. See **Storage.** All fuel is not the same. If starting or performance problems occur, change fuel providers or change brands. This engine is certified to operate on gasoline. The emissions control system for this engine is EM (Engine Modifications).


High Altitude

At altitudes over 5,000 feet (1524 meters), a minimum 85 octane/85 AKI (89 RON) gasoline is acceptable. To remain emissions compliant, high altitude adjustment is required. Operation without this adjustment will cause decreased performance, increased fuel consumption, and increased emissions. See an authorized Briggs & Stratton Dealer for high altitude adjustment information.

Operation of the engine at altitudes below 2,500 feet (762 meters) with the high altitude kit is not recommended.

How To Add Fuel - Figure 4

 **WARNING**
Fuel and its vapors are extremely flammable and explosive.
Fire or explosion can cause severe burns or death.





When Adding Fuel

- Turn engine off and let engine cool at least 2 minutes before removing the fuel cap.
- Fill fuel tank outdoors or in well-ventilated area.
- Do not overfill fuel tank. To allow for expansion of the fuel, do not fill above the bottom of the fuel tank neck.
- Keep fuel away from sparks, open flames, pilot lights, heat, and other ignition sources.
- Check fuel lines, tank, cap, and fittings frequently for cracks or leaks. Replace if necessary
- If fuel spills, wait until it evaporates before starting engine.


1. Clean the fuel cap area of dirt and debris. Remove the fuel cap (A, Figure 4).
2. Fill the fuel tank (B) with fuel. To allow for expansion of the fuel, do not fill above the bottom of the fuel tank neck (C).
3. Reinstall the fuel cap.


How To Start The Engine - Figure 5 6

 **WARNING**
Rapid retraction of starter cord (kickback) will pull hand and arm toward engine faster than you can let go.
Broken bones, fractures, bruises or sprains could result.



- When starting engine, pull the starter cord slowly until resistance is felt and then pull rapidly to avoid kickback.

 **WARNING**
Fuel and its vapors are extremely flammable and explosive.
Fire or explosion can cause severe burns or death.



When Starting Engine

- Ensure that spark plug, muffler, fuel cap and air cleaner (if equipped) are in place and secured.
- Do not crank engine with spark plug removed.
- If engine floods, set choke (if equipped) to OPEN/RUN position, move throttle (if equipped) to FAST position and crank until engine starts.



WARNING




POISONOUS GAS HAZARD. Engine exhaust contains carbon monoxide, a poisonous gas that could kill you in minutes. You CANNOT smell it, or taste it. Even if you do not smell exhaust fumes, you could still be exposed to carbon monoxide gas. If you start to feel sick, dizzy, or weak while using this product, shut it off and get to fresh air RIGHT AWAY. See a doctor. You may have carbon monoxide poisoning.


- Operate this product ONLY outside far away from windows, doors and vents to reduce the risk of carbon monoxide gas from accumulating and potentially being drawn towards occupied spaces.
- Install battery-operated carbon monoxide alarms or plug-in carbon monoxide alarms with battery back-up according to the manufacturer's instructions. Smoke alarms cannot detect carbon monoxide gas.
- DO NOT run this product inside homes, garages, basements, crawlspaces, sheds, or other partially-enclosed spaces even if using fans or opening doors and windows for ventilation. Carbon monoxide can quickly build up in these spaces and can linger for hours, even after this product has shut off.
- ALWAYS place this product downwind and point the engine exhaust away from occupied spaces.

NOTICE: This engine was shipped from Briggs & Stratton without oil. Before you start the engine, make sure you add oil according to the instructions in this manual. If you start the engine without oil, it will be damaged beyond repair and will not be covered under warranty.

Note: Equipment may have remote controls. See the equipment manual for location and operation of remote controls.

1. Check the engine oil. See the **How To Check/Add Oil** section.
2. Make sure equipment drive controls, if equipped, are disengaged.

3. Move the throttle control (A, Figure 5), if equipped, to the fast  position.

Operate the engine in the fast  position.

4. When starting a new engine for the first time, firmly push the red primer (B) five times. Then for all future starts, push the primer three times (Figure 5).

Note: If engine runs out of fuel or has been stored for an extended period of time, it may be necessary to prime 5 times.

Note: Priming is usually unnecessary when restarting a warm engine.

Note: If you push the primer too many times, excessive fuel will flood the engine and it will be difficult to start.

5. If the product is equipped with an engine stop lever (C), hold the engine stop lever against the handle (Figure 6).

6. Firmly hold the starter cord handle (D). Pull the starter cord handle slowly until resistance is felt, then pull rapidly (Figure 5).

Note: If the engine does not start after repeated attempts, repeat Steps 4, 5, and 6. If it still does not start, go to **BRIGGSandSTRATTON.COM** or call **1-800-233-3723** (in USA).



WARNING: Rapid retraction of the starter cord (kickback) will pull your hand and arm toward the engine faster than you can let go. Broken bones, fractures, bruises or sprains could result. When starting engine, pull the starter cord slowly until resistance is felt and then pull rapidly to avoid kickback.

Maintenance

NOTICE: If the engine is tipped during maintenance, the fuel tank **must be empty** and the spark plug side **must be up**. If the fuel tank is not empty and if the engine is tipped in any other direction, it may be difficult to start due to oil or gasoline contaminating the air filter and/or the spark plug.



WARNING: When performing maintenance that requires the unit to be tipped, the fuel tank must be empty or fuel can leak out and result in a fire or explosion.

We recommend that you see any Briggs & Stratton Authorized Dealer for all maintenance and service of the engine and engine parts.

NOTICE: All the components used to build this engine must remain in place for proper operation.

Emissions Control


Maintenance, replacement, or repair of the emissions control devices and systems may be performed by any non-road engine repair establishment or individual.

However, to obtain "no charge" emissions control service, the work must be performed by a factory authorized dealer. See the Emissions Warranty.

How To Stop The Engine - Figure 6

Release the engine stop lever (E). See Figure 6.

or

Engine with Throttle Control: Move the throttle control (A, Figure 5) to the stop  position.

Maintenance



WARNING

Unintentional sparking can result in fire or electric shock.
Unintentional start-up can result in entanglement, traumatic amputation, or laceration.

Fire hazard



Before performing adjustments or repairs:

- Disconnect the spark plug wire and keep it away from the spark plug.
- Disconnect battery at negative terminal (only engines with electric start.)
- Use only correct tools.
- Do not tamper with governor spring, links or other parts to increase engine speed.
- Replacement parts must be of the same design and installed in the same position as the original parts. Other parts may not perform as well, may damage the unit, and may result in injury.
- Do not strike the flywheel with a hammer or hard object because the flywheel may later shatter during operation.

When testing for spark:

- Use approved spark plug tester.
- Do not check for spark with spark plug removed.

Maintenance Chart

First 5 Hours
<ul style="list-style-type: none">• Change Oil
Every 8 Hours or Daily
<ul style="list-style-type: none">• Check engine oil level• Clean area around muffler and controls
Every 25 Hours or Annually
<ul style="list-style-type: none">• Clean air filter *
Every 50 Hours or Annually
<ul style="list-style-type: none">• Change engine oil• Check muffler and spark arrester
Annually
<ul style="list-style-type: none">• Replace air filter• Replace spark plug• Clean air cooling system *

* In dusty conditions or when airborne debris is present, clean more often.

Carburetor And Engine Speed Adjustment

Never make adjustments to the carburetor or engine speed. The carburetor was set at the factory to operate efficiently under most conditions. Do not tamper with the governor spring, linkages, or other parts to change the engine speed. If any adjustments are required contact a Briggs & Stratton Authorized Service Center for service.

NOTICE: The equipment manufacturer specifies the maximum speed for the engine as installed on the equipment. **Do not exceed** this speed. If you are unsure what the equipment maximum speed is, or what the engine speed is set to from the factory, contact a Briggs & Stratton Authorized Service Center for assistance. For safe and proper operation of the equipment, the engine speed should be adjusted only by a qualified service technician.

How To Replace The Spark Plug - Figure 7

Check the gap (A, Figure 7) with a wire gauge (B). If necessary, reset the gap. Install and tighten the spark plug to the recommended torque. For gap setting or torque, see the **Specifications** section.

Note: In some areas, local law requires using a resistor spark plug to suppress ignition signals. If this engine was originally equipped with a resistor spark plug, use the same type for replacement.

Inspect Muffler And Spark Arrester - Figure 8



WARNING



Running engines produce heat. Engine parts, especially muffler, become extremely hot.



Severe thermal burns can occur on contact.

Combustible debris, such as leaves, grass, brush, etc. can catch fire.

- Allow muffler, engine cylinder and fins to cool before touching.
- Remove accumulated debris from muffler area and cylinder area.
- It is a violation of California Public Resource Code, Section 4442, to use or operate the engine on any forest-covered, brush-covered, or grass-covered land unless the exhaust system is equipped with a spark arrester, as defined in Section 4442, maintained in effective working order. Other states or federal jurisdictions may have similar laws. Contact the original equipment manufacturer, retailer, or dealer to obtain a spark arrester designed for the exhaust system installed on this engine.

Remove accumulated debris from muffler area and cylinder area. Inspect the muffler (A) for cracks, corrosion, or other damage. Remove the spark arrester (B), if equipped, and inspect for damage or carbon blockage. If damage is found, install replacement parts before operating.



WARNING: Replacement parts must be of the same design and installed in the same position as the original parts. Other parts may not perform as well, may damage the unit, and may result in injury.

How To Change The Oil - Figure 2 3 9 10



WARNING



Fuel and its vapors are extremely flammable and explosive. Fire or explosion can cause severe burns or death.



- When you drain the oil from the top oil fill tube, the fuel tank must be empty or fuel can leak out and result in a fire or explosion.

Used oil is a hazardous waste product and must be disposed of properly. Do not discard with household waste. Check with your local authorities, service center, or dealer for safe disposal/recycling facilities.

Remove Oil

The oil must be drained from the top oil fill tube (E, Figure 10).

1. With engine off but still warm, disconnect the spark plug wire (A) and keep it away from the spark plug (Figure 9).
2. Remove the dipstick (G, Figure 2).
3. When you drain the oil from the top oil fill tube (E), keep the spark plug end of the engine (F) up (Figure 10). Drain the oil into an approved container.



WARNING: When you drain the oil from the top oil fill tube, the fuel tank must be empty or fuel can leak out and result in a fire or explosion. To empty the fuel tank, run the engine until it stops from lack of fuel.

Add Oil

- Place engine level.
 - Clean the oil fill area of any debris.
 - See the **Specifications** section for oil capacity.
1. Remove the dipstick (G) and wipe with a clean cloth (Figure 2, Figure 3).
 2. Pour the oil slowly into the engine oil fill (H). **Do not overfill.** After adding oil, wait one minute and then check the oil level.
 3. Install and tighten the dipstick.
 4. Remove the dipstick and check the oil level. It should be at the top of the full indicator (J) on the dipstick.
 5. Install and tighten the dipstick.

How To Service The Air Filter - Figure 11 12



WARNING



Fuel and its vapors are extremely flammable and explosive. Fire or explosion can cause severe burns or death.



- Never start or run the engine with the air cleaner assembly (if equipped) or the air filter (if equipped) removed.

NOTICE: Do not use pressurized air or solvents to clean the filter. Pressurized air can damage the filter and solvents will dissolve the filter. Two types of air filter systems are shown, a **Standard** and a **High Capacity**. Determine the type installed on your engine and service as follows.

Standard Air Filter - Figure 11

The standard air filter uses a foam element that can be washed and reused.

1. Remove the screw (A) from the top of the air filter assembly (B). See Figure 11.
2. To prevent debris from falling into the carburetor, carefully remove the air filter assembly.
3. Remove the foam element (C) from the air filter base.
4. Wash the foam element in liquid detergent and water. Squeeze dry the foam element in a clean cloth.
5. Saturate the foam element with clean engine oil. To remove the excess engine oil, squeeze the foam element in a clean cloth.
6. Install the foam element into the air filter base.
7. Install the air filter assembly onto the carburetor and secure with screw.

High Capacity Air Filter - Figure 12

The high capacity air filter uses a pleated filter.

1. Remove the screw (A) from the top of the air filter assembly (B). See Figure 12.
2. To prevent debris from falling into the carburetor, carefully remove the air filter assembly.
3. Remove the pleated filter (C) from the air filter base.
4. To loosen debris, gently tap the pleated filter on a hard surface. If the pleated filter is excessively dirty, replace with a new filter.
5. Install the pleated filter.
6. Install the air filter assembly onto the carburetor and secure with screw.

Clean Air Cooling System - Figure 13



WARNING



Running engines produce heat. Engine parts, especially muffler, become extremely hot.



Severe thermal burns can occur on contact.

Combustible debris, such as leaves, grass, brush, etc. can catch fire.

- Allow muffler, engine cylinder and fins to cool before touching.
- Remove accumulated debris from muffler area and cylinder area.

NOTICE: Do not use water to clean the engine. Water could contaminate the fuel system. Use a brush or dry cloth to clean the engine.

This is an air cooled engine. Dirt or debris can restrict air flow and cause the engine to overheat, resulting in poor performance and reduced engine life.

Use a brush or dry cloth to remove debris from the finger guard (A). Keep linkage, springs and controls (B) clean. Keep the area around and behind the muffler (C) free of any combustible debris (Figure 13).

Storage



WARNING



Fuel and its vapors are extremely flammable and explosive.



Fire or explosion can cause severe burns or death.

When Storing Fuel Or Equipment With Fuel In Tank

- Store away from furnaces, stoves, water heaters or other appliances that have pilot lights or other ignition sources because they can ignite fuel vapors.

Fuel System

Fuel can become stale when stored over 30 days. Stale fuel causes acid and gum deposits to form in the fuel system or on essential carburetor parts. To keep fuel fresh, use **Briggs & Stratton Advanced Formula Fuel Treatment & Stabilizer**, available wherever Briggs & Stratton genuine service parts are sold.

For engines equipped with a FRESH START® fuel cap, use **Briggs & Stratton FRESH START®** available in a drip concentrate cartridge.

There is no need to drain gasoline from the engine if a fuel stabilizer is added according to instructions. Run the engine for 2 minutes to circulate the stabilizer throughout the fuel system before storage.

If gasoline in the engine has not been treated with a fuel stabilizer, it must be drained into an approved container. Run the engine until it stops from lack of fuel. The use of a fuel stabilizer in the storage container is recommended to maintain freshness.

Engine Oil

While the engine is still warm, change the engine oil.

NOTICE: Store the engine level (normal operating position). If the engine is tipped for storage, the fuel tank **must be empty** and the spark plug side **must be up**. If the fuel tank is not empty and if the engine is tipped in any other direction, it may be difficult to start due to oil or gasoline contaminating the air filter and/or the spark plug.

Troubleshooting

Need Assistance? Go to **BRIGGSandSTRATTON.COM** or call **1-800-233-3723** in USA.

Specifications

Engine Specifications

Model	90000
Displacement	9.02 ci (148 cc)
Bore	2.562 in (65.08 mm)
Stroke	1.750 in (44.45 mm)
Oil Capacity	18 - 20 oz (0.54 - 0.59 L)

Engine Specifications

Model	100000
Displacement	9.67 ci (158 cc)
Bore	2.562 in (65.08 mm)
Stroke	1.875 in (47.65 mm)
Oil Capacity	18 - 20 oz (0.54 - 0.59 L)

Tune-up Specifications *

Model	90000, 100000
Spark Plug Gap	0.030 in (0.76 mm)
Spark Plug Torque	180 lb-in (20 Nm)
Armature Air Gap	0.006 - 0.010 in (0.15 - 0.25 mm)
Intake Valve Clearance	0.005 - 0.007 in (0.13 - 0.18 mm)
Exhaust Valve Clearance	0.007 - 0.009 in (0.18 - 0.23 mm)

* Engine power will decrease 3.5% for each 1,000 feet (300 meters) above sea level and 1% for each 10° F (5.6° C) above 77° F (25° C). The engine will operate satisfactorily at an angle up to 15°. Refer to the equipment operator's manual for safe allowable operating limits on slopes.

Common Service Parts ✓

Service Part	Part Number
Standard Air Filter	698369
High Capacity Air Filter	797819
Oil - SAE 30	100005
Fuel Additive	5041, 5058
Resistor Spark Plug	796112
Long Life Platinum Spark Plug	5062
Spark Plug Wrench	89838, 5023
Spark Tester	19368

✓ We recommend that you see any Briggs & Stratton Authorized Dealer for all maintenance and service of the engine and engine parts.

LIMITED WARRANTY

Briggs & Stratton warrants that, during the warranty period specified below, it will repair or replace, free of charge, any part that is defective in material or workmanship or both. Transportation charges on product submitted for repair or replacement under this warranty must be borne by purchaser. This warranty is effective for and is subject to the time periods and conditions stated below. For warranty service, find the nearest Authorized Service Dealer in our dealer locator map at BRIGGSandSTRATTON.COM. The purchaser must contact the Authorized Service Dealer, and then make the product available to the Authorized Service Dealer for inspection and testing.

There is no other express warranty. Implied warranties, including those of merchantability and fitness for a particular purpose, are limited to one year from purchase, or to the extent permitted by law. All other implied warranties are excluded. Liability for incidental or consequential damages are excluded to the extent exclusion is permitted by law. Some states or countries do not allow limitations on how long an implied warranty lasts, and some states or countries do not allow the exclusion or limitation of incidental or consequential damages, so the above limitation and exclusion may not apply to you. This warranty gives you specific legal rights and you may also have other rights which vary from state to state and country to country **.

STANDARD WARRANTY TERMS * ▲

Brand/Product Type	Consumer Use	Commercial Use
Vanguard™ ■	3 years	3 years
Commercial Turf Series™	2 years	2 years
Extended Life Series™ ; I/C®; Intek™ I/C®; Intek™ Pro; Professional Series™ with Dura-Bore™ Cast Iron Sleeve; 850 Series™ with Dura-Bore™ Cast Iron Sleeve; Snow Series MAX™ with Dura-Bore™ Cast Iron Sleeve All Other Briggs & Stratton Engines Featuring Dura-Bore™ Cast Iron Sleeve	2 years	1 year
All Other Briggs & Stratton Engines	2 years	90 days

- * These are our standard warranty terms, but occasionally there may be additional warranty coverage that was not determined at time of publication. For a listing of current warranty terms for your engine, go to BRIGGSandSTRATTON.COM or contact your Briggs & Stratton Authorized Service Dealer.
- ** In Australia – Our goods come with guarantees that cannot be excluded under the Australian Consumer Law. You are entitled to a replacement or refund for a major failure and for compensation for any other reasonably foreseeable loss or damage. You are also entitled to have the goods repaired or replaced if the goods fail to be of acceptable quality and the failure does not amount to a major failure. For warranty service, find the nearest Authorized Service Dealer in our dealer locator map at BRIGGSandSTRATTON.COM, or by calling 1300 274 447, or by emailing or writing to salesenquiries@briggsandstratton.com.au, Briggs & Stratton Australia Pty Ltd, 1 Moorebank Avenue, Moorebank, NSW, Australia, 2170.
- ▲ Home Standby Generator applications: 2 years consumer warranty only. No commercial warranty. This warranty does not apply to engines on equipment used for prime power in place of a utility. **Engines used in competitive racing or on commercial or rental tracks are not warranted.**
- Vanguard installed on standby generators: 2 years consumer use, no warranty commercial use. Vanguard installed on utility vehicles: 2 years consumer use, 2 years commercial use. Vanguard 3-cylinder liquid cooled: see Briggs & Stratton 3/LC Engine Warranty Policy.

The warranty period begins on the date of purchase by the first retail consumer or commercial end user, and continues for the period of time stated in the table above. "Consumer use" means personal residential household use by a retail consumer. "Commercial use" means all other uses, including use for commercial, income producing or rental purposes. Once an engine has experienced commercial use, it shall thereafter be considered as a commercial use engine for purposes of this warranty.

No warranty registration is necessary to obtain warranty on Briggs & Stratton products. Save your proof of purchase receipt. If you do not provide proof of the initial purchase date at the time warranty service is requested, the manufacturing date of the product will be used to determine the warranty period.

About Your Warranty

Briggs & Stratton welcomes warranty repair and apologizes to you for being inconvenienced. Any Authorized Service Dealer may perform warranty repairs. Most warranty repairs are handled routinely, but sometimes requests for warranty service may not be appropriate. To avoid misunderstanding which might occur between the customer and the dealer, listed below are some of the causes of engine failure that the warranty does not cover.

Normal wear: Engines, like all mechanical devices, need periodic parts service and replacement to perform well. Warranty will not cover repair when normal use has exhausted the life of a part or an engine. Warranty would not apply if engine damage occurred because of misuse, lack of routine maintenance, shipping, handling, warehousing or improper installation. Similarly, warranty is void if the serial number of the engine has been removed or the engine has been altered or modified.

Improper maintenance: The life of an engine depends upon the conditions under which it operates, and the care it receives. Some applications, such as tillers, pumps and rotary mowers, are very often used in dusty or dirty conditions, which can cause what appears to be premature wear. Such wear, when caused by dirt, dust, spark plug cleaning grit, or other abrasive material that has entered the engine because of improper maintenance, is not covered by warranty.

This warranty covers engine related defective material and/or workmanship only, and not replacement or refund of the equipment to which the engine may be mounted. Nor does the warranty extend to repairs required because of:

- 1 **Problems caused by parts that are not original Briggs & Stratton parts.**
- 2 Equipment controls or installations that prevent starting, cause unsatisfactory engine performance, or shorten engine life. (Contact equipment manufacturer.)
- 3 Leaking carburetors, clogged fuel pipes, sticking valves, or other damage, caused by using contaminated or stale fuel.

- 4 Parts which are scored or broken because an engine was operated with insufficient or contaminated lubricating oil, or an incorrect grade of lubricating oil (check and refill when necessary, and change at recommended intervals). OIL GARD may not shut down running engine. Engine damage may occur if oil level is not properly maintained.
- 5 Repair or adjustment of associated parts or assemblies such as clutches, transmissions, remote controls, etc., which are not manufactured by Briggs & Stratton.
- 6 Damage or wear to parts caused by dirt, which entered the engine because of improper air cleaner maintenance, re-assembly, or use of a non-original air cleaner element or cartridge. At recommended intervals, clean and/or replace the filter as stated in the Operator's Manual.
- 7 Parts damaged by over-speeding, or overheating caused by grass, debris, or dirt, which plugs or clogs the cooling fins, or flywheel area, or damage caused by operating the engine in a confined area without sufficient ventilation. Clean engine debris at recommended intervals as stated in the Operator's Manual.
- 8 Engine or equipment parts broken by excessive vibration caused by a loose engine mounting, loose cutter blades, unbalanced blades or loose or unbalanced impellers, improper attachment of equipment to engine crankshaft, over-speeding or other abuse in operation.
- 9 A bent or broken crankshaft, caused by striking a solid object with the cutter blade of a rotary lawn mower, or excessive v-belt tightness.
- 10 Routine tune-up or adjustment of the engine.
- 11 Engine or engine component failure, i.e., combustion chamber, valves, valve seats, valve guides, or burned starter motor windings, caused by the use of alternate fuels such as, liquified petroleum, natural gas, gasoline formulated with ethanol greater than 10%, etc.

Warranty service is available only through Briggs & Stratton Authorized Service Dealers. Locate your nearest Authorized Service Dealer in our dealer locator map on BRIGGSandSTRATTON.COM or by calling 1-800-233-3723 (in USA).

The California Air Resources Board, U.S. EPA, and Briggs & Stratton (B&S) are pleased to explain the emissions control system warranty on your Model Year 2013-2014 engine/equipment. In California, new small off-road engines and large spark ignited engines less than or equal to 1.0 liter must be designed, built, and equipped to meet the State's stringent anti-smog standards. B&S must warrant the emissions control system on your engine/equipment for the periods of time listed below provided there has been no abuse, neglect, or improper maintenance of your engine/equipment.

Your exhaust emissions control system may include parts such as the carburetor or fuel injection system, ignition system, and catalytic converter. Also included may be hoses, belts, connectors, sensors, and other emissions-related assemblies. Your evaporative emission control system may include parts such as: carburetors, fuel tanks, fuel lines, fuel caps, valves, canisters, filters, vapor hoses, clamps, connectors, and other associated components.

Where a warrantable condition exists, B&S will repair your engine/equipment at no cost to you including diagnosis, parts, and labor.

Manufacturer's Warranty Coverage:

Small off-road engines and large spark ignited engines less than or equal to 1.0 liter, and any related emissions components of the equipment, are warranted for two years*. If any

emissions-related part on your B&S engine/equipment is defective, the part will be repaired or replaced by B&S.

- * Two years or for the time period listed in the respective engine or product warranty statement, whichever is greater.

Owner's Warranty Responsibilities:

- As the engine/equipment owner, you are responsible for the performance of the required maintenance listed in your owner's manual. B&S recommends that you retain all receipts covering maintenance on your engine/equipment, but B&S cannot deny warranty solely for the lack of receipts or your failure to ensure the performance of all scheduled maintenance.
- As the engine/equipment owner, you should however be aware that B&S may deny you warranty coverage if your engine/equipment or a part has failed due to abuse, neglect, improper maintenance, or unapproved modifications.
- You are responsible for presenting your engine/equipment to a B&S distribution center, servicing dealer, or other equivalent entity, as applicable, as soon as a problem exists. The warranty repairs should be completed in a reasonable amount of time, not to exceed 30 days. If you have any questions regarding your warranty rights and responsibilities, you should contact B&S at 1-800-444-7774 (in USA) or BRIGGSandSTRATTON.COM.

Briggs & Stratton Emissions Control Warranty Provisions

The following are specific provisions relative to your Emissions Control Warranty Coverage. It is in addition to the B&S engine warranty for non-regulated engines found in the Operator's Manual.

1. Warranted Emissions Parts

Coverage under this warranty extends only to the parts listed below (the emissions control systems parts) to the extent these parts were present on the B&S engine and/or B&S supplied fuel system.

- Fuel Metering System**
 - Cold start enrichment system (soft choke)
 - Carburetor and internal parts
 - Fuel pump
 - Fuel line, fuel line fittings, clamps
 - Fuel tank, cap and tether
 - Carbon canister
- Air Induction System**
 - Air cleaner
 - Intake manifold
 - Purge and vent line
- Ignition System**
 - Spark plug(s)
 - Magneto ignition system
- Catalyst System**
 - Catalytic converter
 - Exhaust manifold
 - Air injection system or pulse valve
- Miscellaneous Items Used in Above Systems**
 - Vacuum, temperature, position, time sensitive valves and switches
 - Connectors and assemblies

2. Length of Coverage

For a period of two years from date of original purchase*, B&S warrants to the original purchaser and each subsequent purchaser that the engine is designed, built, and equipped so as to conform with all applicable regulations adopted by the Air Resources Board; that it is free from defects in material and workmanship that could cause the failure of a warranted part; and that it is identical in all material respects to the engine described in the manufacturer's application for certification. The warranty period begins on the date the engine is originally purchased.

- * Two years or for the time period listed in the respective engine or product warranty statement, whichever is greater.

The warranty on emissions-related parts is as follows:

- Any warranted part that is not scheduled for replacement as required maintenance in the owner's manual supplied, is warranted for the warranty period stated above. If any such part fails during the period of warranty coverage, the part will be repaired or replaced by B&S at no charge to the owner. Any such part repaired or replaced under the warranty will be warranted for the remaining warranty period.
- Any warranted part that is scheduled only for regular inspection in the owner's manual supplied, is warranted for the warranty period stated above. Any such part repaired or replaced under warranty will be warranted for the remaining warranty period.
- Any warranted part that is scheduled for replacement as required maintenance in the owner's manual supplied, is warranted for the period of time prior to the first scheduled replacement point for that part. If the part fails prior to the first scheduled replacement, the part will be repaired or replaced by B&S at no charge to the owner. Any such part repaired or replaced under warranty will be warranted for the remainder of the period prior to the first scheduled replacement point for the part.
- Add on or modified parts that are not exempted by the Air Resources Board may not be used. The use of any non exempted add on or modified parts by the owner will be grounds for disallowing a warranty claim. The manufacturer will not be liable to warrant failures of warranted parts caused by the use of a non exempted add on or modified part.

3. Consequential Coverage

Coverage shall extend to the failure of any engine components caused by the failure of any warranted emissions parts.

4. Claims and Coverage Exclusions

Warranty claims shall be filed according to the provisions of the B&S engine warranty policy. Warranty coverage does not apply to failures of emissions parts that are not original equipment B&S parts or to parts that fail due to abuse, neglect, or improper maintenance as set forth in the B&S engine warranty policy. B&S is not liable for warranty coverage of failures of emissions parts caused by the use of add-on or modified parts.

Look For Relevant Emissions Durability Period and Air Index Information On Your Small Off-Road Engine Emissions Label

Engines that are certified to meet the California Air Resources Board (CARB) small off-road Emissions Standard must display information regarding the Emissions Durability Period and the Air Index. Briggs & Stratton makes this information available to the consumer on our emissions labels. The engine emissions label will indicate certification information.

The **Emissions Durability Period** describes the number of hours of actual running time for which the engine is certified to be emissions compliant, assuming proper maintenance in accordance with the Operating & Maintenance Instructions. The following categories are used:

Moderate:

Engine is certified to be emissions compliant for 125 hours of actual engine running time.

Intermediate:

Engine is certified to be emissions compliant for 250 hours of actual engine running time.

Extended:

Engine is certified to be emissions compliant for 500 hours of actual engine running time.

For example, a typical walk-behind lawn mower is used 20 to 25 hours per year.

Therefore, the **Emissions Durability Period** of an engine with an **intermediate** rating would equate to 10 to 12 years.

Briggs & Stratton engines are certified to meet the United States Environmental Protection Agency (USEPA) Phase 2 or Phase 3 emissions standards. The Emissions Compliance Period referred to on the Emissions Compliance label indicates the number of operating hours for which the engine has been shown to meet Federal emissions requirements.

For engines less than 225 cc displacement.

Category C = 125 hours, Category B = 250 hours, Category A = 500 hours

For engines of 225 cc or more displacement.

Category C = 250 hours, Category B = 500 hours, Category A = 1000 hours



ПРЕДУПРЕЖДЕНИЕ



Горивото и неговите пари са изключително огнеопасни и избухливи.



Пожар или взрив могат да причинят сериозни обгаряния или смърт.

При доливане на гориво

- Изключете двигателя и го оставете да се охлади най-малко 2 минути, преди да свалите капачката на резервоара за гориво.
- Пълнете резервоара за гориво на открито или в добре вентилирано помещение.
- не препълвайте резервоара за гориво. За да позволите разширение на бензина, не пълнете над долната основа на гърловината за наливане на гориво.
- Дръжте горивото далеч от искри, открити пламъци, сигнални лампи, топлина и други запалителни източници.
- Проверявайте често горивопроводите, резервоара, капачката и съединенията за пукнатини или течове. Заменете ги, ако е необходимо.
- Ако горивото се разлее, изчакайте докато то се изпари, преди да стартирате двигателя.

При стартиране на двигателя

- Уверете се, че запалителната свещ, шумозаглушителя, капачката на резервоара за гориво и въздушния филтър (ако има такива) са на мястото си и са обезопасени.
- Не развъртайте двигателя с извадена запалителна свещ.
- Ако двигателят се задави, поставете смукача (ако има такъв) на позиция OPEN/RUN, придвижете ръчната газ (ако има такава) на позиция FAST и развъртайте, докато двигателят стартира.

При работеща машина

- Не наклонявайте двигателя или машината под ъгъл, който води до разливане на горивото.
- Не запущайте камерата на карбуратора, за да спрете двигателя.
- Никога не стартирайте и не работете с двигателя при отстранен комплект на въздушния филтър (ако има такъв) или при отстранен въздушен филтър (ако има такъв).

При смяна на маслото

- Ако източвате маслото от горната тръба за пълнене с масло, резервоарът за гориво трябва да бъде празен, или то може да потече и да причини пожар или експлозия.

При наклоняване на агрегата за техническо обслужване

- Когато извършвате техническо обслужване, изискващо наклоняване на агрегата, резервоарът за гориво трябва да бъде празен, или то може да потече и да причини пожар или експлозия.

При транспортиране на машината

- Транспортирайте с ПРАЗЕН резервоар, или с кран за подаване на гориво на позиция OFF.

При складиране на гориво или на машина с гориво в резервоара

- Складирайте далеч от пещи, печки, водонагреватели или други електрически прибори, които имат сигнални лампи или други запалителни източници, защото те могат да възпламенят изпаренията от горивото.



ПРЕДУПРЕЖДЕНИЕ



Пускането на двигателя създава искрене.



Искрението може да възпламени намиращите се наоколо запалими газове.



Това може да доведе до експлозия и пожар.

- Ако има изтичане на природен или втечен газ пропан в помещението, не стартирайте двигателя.
- Не използвайте горива за начално запалване под налягане, защото парите им са запалителни.



ПРЕДУПРЕЖДЕНИЕ



ОПАСНОСТ ОТ ОТРОВЕН ГАЗ. Отработилите газове съдържат въглероден окис, отровен газ, който би могъл да ви убие за минути. Вие НЕ МОЖЕТЕ да го видите, помиришете или да го вкусите. Дори да не помиришвате отработилите димни газове, вие все още бихте могли да бъдете изложени на влиянието на въглеродния окис. Ако започне да ви прилязва, да имате световъртеж или слабост, докато поемате този продукт, затворете източника му и НЕЗАБАВНО излезте на чист въздух. Отидете на доктор. Възможно е да сте получили отравяне от въглероден окис.

- Работете с този продукт САМО на открито, далеч от прозорци, врати и вентилационни отвори, за да намалите опасността от натрупване на въглероден окис и от потенциалното му насочване към помещения с хора.
- Монтирайте алармени устройства за въглероден окис, работещи с батерия или сменяващи се такива с резервна батерия според инструкциите на производителя. Алармените устройства за дим не могат да откриват въглеродния окис.
- НЕ ДОПУСКАЙТЕ този продукт в домове, гаражи, мазета, санитарни помещения, хангари или други частично затворени пространства, дори и снабдени с вентилатори или държани с отворени врати и прозорци за проветряване. Въглеродният окис може бързо да се натрупа и може да се задържа с часове, дори и след като е бил спрян.
- ВИНАГИ поставяйте този продукт по посока на въздушното течение и насочвайте отработилите димни газове надалеко от заетите с хора помещения.



ПРЕДУПРЕЖДЕНИЕ



Бързото притегляне на пусковото въже (обратен удар) придържа ръката към двигателя по-бързо, отколкото вие можете да я отдръпнете.

Това може да причини счупени кости, фрактури, контузии и навяхвания.

- При стартиране на двигателя, изтеглете внимателно въжето на ръчния starter, докато усетите съпротивление, а след това дръпнете рязко, за да избегнете обратния удар.
- Изключете всяко външно оборудване/задвигвано от двигателя, преди да го стартирате.
- Директно прикачените към двигателя машинни елементи като ножове, перки, лебедки, зъбни колела, задвижващи вериги и други, трябва да бъдат сигурно прикрепени.



ПРЕДУПРЕЖДЕНИЕ



Въртящите се части могат да допрат или захванат ръце, крака, коса, облекло или принадлежности.

Може да се достигне до травматична ампутация или сериозно нараняване.

- Работете с двигателя при поставени защитни капаци.
- Дръжте ръцете и краката си далеч от въртящи се части.
- Привързвайте дългите коси и сваляйте украшенията си.
- Не носете по себе си широко облекло, висящи шнурове или вещи, които могат да бъдат захванати.



ПРЕДУПРЕЖДЕНИЕ



Работещите двигатели отделят топлина. Частите на двигателяте, особено шумозаглушителя, стават изключително горещи.

При допир може да получите сериозно изгаряне.



Горимите отпадъци, като листа, треви, хрсталак и други, могат да се запалят.

- Оставете шумозаглушителя, цилиндъра на двигателя и ребрата да се охладят, преди да ги докосвате.
- Отстранете натрупаните отломки около шумозаглушителя и цилиндъра.
- Използването или работата с двигателя, по залесени с гори, храсти или с треви площи, според Правилника на Калифорния за обществените ресурси, Раздел 4442, представлява нарушение, освен ако двигателят не е снабден с искрогасител, поддържан в ефикасно работно състояние, както е определено в Раздел 4442. В другите щати и федерални юрисдикции може да има подобни закони. Свържете се с производителя, продавача на дребно или дистрибутора на оригиналното съоръжение, за да получите искрогасител, проектиран за монтираната на този двигател изпускателна система.



ПРЕДУПРЕЖДЕНИЕ



Случайно искрене може да доведе до пожар или поразяване от електрически ток.



Неволно стартиране може да доведе до захващане, травматична ампутация или до раняване.



Опасност от пожар

Преди извършване на регулировки и поправки:

- Откачете кабела на запалителната свещ и го дръжте далеч от нея.
- Откачете минус-клемата на акумулатора (само при двигатели с електрически стартер).
- Използвайте само подходящи инструменти.
- Не застопорявайте с регулиращата пружина, лостовите системи или с други части, за да повишите оборотите на двигателя.
- Резервните части трябва да бъдат със същата конструкция и да се монтират в същото положение, както оригиналните части. Части от друг производител може да не работят добре, може да повредят агрегата или да доведат до нараняване.
- Не удряйте маховика с чук или твърд предмет, защото той може да се строши по време на работа.

При изпробване за искра:

- Използвайте одобрен тип тестер за свещи.
- Не правете проверка за искра при извадена запалителна свещ.

Not for
Reproduction

Елементи и управления

Сравнете илюстрацията **1** с вашия двигател, за да се запознаете с разположението на различните елементи и управления.

- A. Маркировка на двигателя
Модел Тип Код
- B. Запалителна свещ
- C. Подкачваща помпа
- D. Резервоар за гориво и капачка
- E. Въздушен филтър
- F. Ръкохватка на въжето за ръчния starter
- G. Нивопоказател
- H. Шумозаглушител
Кожух на шумозаглушителя (ако има такъв)
Искрогасител (ако има такъв)
- I. Ръчна газ (ако има такава)

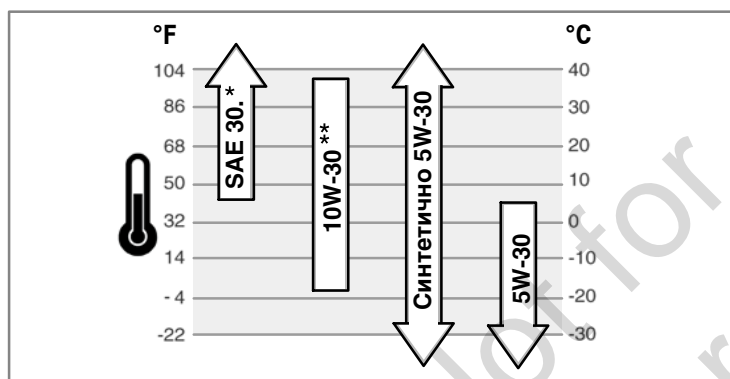
Работа

Вместимост за масло (направете справка в раздел **Технически данни**)

Препоръки за маслото

За получаване на най-добри технически показатели препоръчваме използването на маслата на Briggs & Stratton с гаранция и сертификат за качество. Други висококачествени масла с миешки присадки са приемливи, ако са класифицирани за работни режими SF, SG, SH, SJ или по-високи. Да не се използват специални добавки.

Външните температури определят правилния вискозитет на маслото за двигателя. Използвайте таблицата, за да изберете най-добрия вискозитет за очаквания диапазон на външните температури.



* Ако при температури под 40°F (4°C) се използва масло SAE 30, това ще доведе до трудно стартиране на двигателя.

** При температури над 80°F (27°C) използването на масло 10W-30 може да повиши консумацията на масло. Проверявайте по често нивото му.

Как се проверява/налива масло - Фигура 2 3

Преди наливане или проверяване на маслото

- Разположете хоризонтално двигателя.
- Почистете мястото около отвора за наливане на масло от всички отломки.
- 1. Свалете нивопоказателя за маслото (G) и го избършете с чист плат (Фигура 2, Фигура 3).
- 2. Поставете нивопоказателя и го затегнете.
- 3. Свалете нивопоказателя и проверете нивото на маслото. То трябва да бъде до най-високия знак за напълване (J) на нивопоказателя.
- 4. Ако е ниско, налейте внимателно масло през отвора за пълнене (H). **Не претъпвайте.** След наливане на масло, изчакайте една минута и после пак проверете нивото му.
- 5. Поставете отново нивопоказателя и го затегнете.

Система за защита при ниско ниво на маслото (ако има такава)

Някои двигатели са оборудвани с датчик за ниско ниво на маслото. Ако нивото на маслото е ниско, датчикът или ще включи предупредителен светлинен сигнал, или ще спре двигателя. Спрете двигателя и следвайте следните стъпки преди да го стартирате отново.

- Уверете се, че двигателят е хоризонтално разположен.
- Проверете нивото на маслото. Направете справка в раздел **Как се проверява/налива масло**.

- Ако нивото на маслото е ниско, добавете точното количество масло. Стартирайте двигателя и се уверете, че предупредителният светлинен сигнал (ако има такъв) не е задействан.
- Ако нивото на маслото е ниско, **не стартирайте** двигателя. Обърнете се към Упълномощен представител на Briggs & Stratton, за да отстраните проблема с маслото.

Препоръки за горивото

Горивото трябва да отговаря на следните изисквания:

- Чист, пресен, безоловен бензин.
- Минимално октаново число от 87/87 AKI (91 RON). За голяма надморска височина, вижте по-долу.
- Бензин, с не повече от 10% съдържание на етанол (бензоспирт), е допустим.

ВНИМАНИЕ: Не използвайте не одобрени бензини като E15 и E85. Не смесвайте бензина с масло, не го модифицирайте за работа с алтернативни горива. Използване на неодобрени горива ще повреди компонентите на двигателя и **ще анулира гаранцията му.**

За да предотвратите горивната система от образуване на смоли, добавете стабилизатор в горивото. Направете справка в **Складиране**. Горивата не са едни същи. Ако настъпи проблем със стартирането или техническите показатели, сменете доставчиците или маркиите на горивото. Настоящият двигател има сертификат за работа с бензин. Системата за борба с вредните емисии за този двигател е EM (Модификации на двигателите).

Голяма надморска височина

При надморски височини над 5,000 фута (1524 метра), приемливото качество бензин е с минимално октаново число 85/85 AKI (89 RON). За да отговори на стандартите за емисиите се изисква регулиране за голяма надморска височина. Експлоатацията на двигателя, без такова регулиране, ще доведе до снижаване на техническите показатели, до увеличение на консумацията на гориво и до повишение на вредните емисии. За сведения по регулирането на двигателя за голяма надморска височина се обърнете към Упълномощен представител на Briggs & Stratton.

Не се препоръчва работа на двигателя с регулиращ комплект за голяма надморска височина при височини под 2500 фута (762 метра).

Как се налива масло - Фигура 4



ПРЕДУПРЕЖДЕНИЕ



Горивото и неговите пари са изключително огнеопасни и избухливи.



Пожар или взрив могат да причинят сериозни обгаряния или смърт.

При доливане на гориво

- Изключете двигателя и го оставете да се охлади най-малко 2 минути, преди да свалите капачката на резервоара за гориво.
- Пълнете резервоара за гориво на открито или в добре вентилирано помещение.
- не претъпвайте резервоара за гориво. За да позволите разширение на бензина, не пълнете над долната основа на гърловината за наливане на гориво.
- Дръжте горивото далеч от искри, открити пламъци, сигнални лампи, топлина и други запалителни източници.
- Проверявайте често горивопроводите, резервоара, капачката и съединенията за пукнатини или течове. Заменете ги, ако е необходимо.
- Ако горивото се разлиее, изчакайте докато то се изпари, преди да стартирате двигателя.

1. Почистете пространството около капачката на резервоара за гориво от мръсотия и наслоявания. Свалете капачката (A, Фигура 4).
2. Напълнете резервоара за гориво (B) с гориво. За да позволите разширение на горивото, не пълнете над долната основа на гърловината за наливане на гориво (C).
3. Поставете обратно капачката.

Как се стартира двигателя - Фигура 5 6



ПРЕДУПРЕЖДЕНИЕ



Бързото притегляне на пусковото въже (обратен удар) придържа ръката към двигателя по-бързо, отколкото вие можете да я отдръпнете.

Това може да причини счупени кости, фрактури, контузии и навяхвания.

- При стартиране на двигателя, изтеглете внимателно въжето на ръчния starter, докато усетите съпротивление, а след това дръпнете рязко, за да избегнете обратния удар.



ПРЕДУПРЕЖДЕНИЕ



Горивото и неговите пари са изключително огнеопасни и избухливи.



Пожар или взрив могат да причинят сериозни обгаряния или смърт.

При стартиране на двигателя

- Уверете се, че запалителната свещ, шумозаглушителя, капачката на резервоара за гориво и въздушния филтър (ако има такива) са на мястото си и са обезопасени.
- Не развъртайте двигателя с извадена запалителна свещ.
- Ако двигателят се задави, поставете смукача (ако има такъв) на позиция OPEN/RUN, придвижете ръчната газ (ако има такава) на позиция FAST и развъртайте, докато двигателят стартира.



ПРЕДУПРЕЖДЕНИЕ





ОПАСНОСТ ОТ ОТРОВЕН ГАЗ. Отработилите газове съдържат въглероден окис, отровен газ, който би могъл да ви убие за минути. Вие **НЕ МОЖЕТЕ** да го видите, помиришете или да го вкусите. Дори да не помиришавате отработилите димни газове, вие все още бихте могли да бъдете изложени на влиянието на въглеродния окис. Ако започне да ви призпява, да имате световъртеж или слабост, докато поемате този продукт, затворете източника му и **НЕЗАБАВНО** излезте на чист въздух. Отидете на доктор. Възможно е да сте получили отравяне от въглероден окис.

- Работете с този продукт САМО на открито, далеч от прозорци, врати и вентилационни отвори, за да намалите опасността от натрупване на въглероден окис и от потенциалното му насочване към помещения с хора.
- Монтирайте алармени устройства за въглероден окис, работещи с батерии или сменящи се такива с резервна батерия според инструкциите на производителя. Алармените устройства за дим не могат да откриват въглеродния окис.
- **НЕ ДОПУСКАЙТЕ** този продукт в домове, гаражи, мазета, санитарни помещения, хангари или други частично затворени пространства, дори и снабдени с вентилатори или държани с отворени врати и прозорци за проветряване. Въглеродният окис може бързо да се натрупа и може да се задържа с часове, дори и след като е бил спрян.
- **ВИНАГИ** поставяйте този продукт по посока на въздушното течение и насочвайте отработилите димни газове надалече от заетите с хора помещения.

ПРЕДУПРЕЖДЕНИЕ: Настоящият двигател се доставя от Briggs & Stratton без масло. Преди да стартирате двигателя се уверете, че сте налили масло в него според инструкциите в това ръководство. Ако го стартирате без масло, той ще се повреди без да бъде възможно да се ремонтира и гаранцията няма да покрива щетата.

Забележка: Съоръжението може да има устройства за дистанционно управление. Направете справка в Ръководството за работа относно разположението и работата с устройствата за дистанционно управление.

1. Проверете маслото в двигателя. Направете справка в раздел **Как се проверява/налива масло**.
2. Уверете се, че управленията на съоръжението, ако има такива, са изключени.
3. Преместете ръчната газ (А, Фигура 5), ако има такава, на позиция  за бързи обороти. Работете с двигателя на позиция  за бързи обороти.
4. При стартиране на нов двигател за първи път, пет пъти силно натиснете червения бутон (В). При всички бъдещи стартирания натискайте подкачващата помпа по три пъти (Фигура 5).

Забележка: Ако двигателят остане без гориво или е бил на склад за продължителен период от време, може да се наложи да натиснете 5 пъти подкачващата помпа.

Забележка: Обикновено подкачването на гориво при начално стартиране не е необходимо при повторно стартиране на топъл двигател.

Забележка: Ако натиснете многократно подкачващата помпа, прекомерното количество гориво ще задави карбуратора и двигателят и стартирането му ще бъде трудно.

5. Ако продуктът е оборудван с лост за спиране (С) на двигателя, задръжте го срещу ръкохватката (Фигура 6).
6. Здраво дръжте ръкохватката на въжето на стартера (D). Изтеглете бавно ръкохватката на въжето на стартера, докато почувствате съпротивление, след което го дръпнете рязко (Фигура 5).

Забележка: Ако двигателят не стартира след повтарящи се опити, повторете стъпки 4, 5 и 6. Ако пак не стартира, обърнете се към **BRIGGSandSTRATTON.COM** или се обадете на телефон **1-800-233-3723** (в САЩ).




ПРЕДУПРЕЖДЕНИЕ:

Бързото оттегляне на въжето на стартера (обратен удар) ще притегли цялата ви ръка към двигателя по-бързо, отколкото вие можете да я оттеглите. Това би могло да доведе до счупени кости, фрактури, навяхвания и контузии. При стартиране на двигателя изтеглете бавно въжето на стартера, докато почувствате съпротивление, след което го дръпнете рязко, за да избегнете обратния удар.

Как да спрете двигателя - Фигура 6

Освободете стоп лоста на двигателя (Е). Вижте Фигура 6.

или

Двигател с ръчна газ: Преместете ръчната газ (А, Фигура 5) на стоп  позиция.

Техническо обслужване

ПРЕДУПРЕЖДЕНИЕ: Ако двигателят се наклонява по време на техническа експлоатация, резервоарът за горивото трябва да бъде празен, а страната със запалителната свещ да бъде нагоре. Ако резервоарът не е изпразнен, а двигателят е наклоняван в друга посока, стартирането може да бъде затруднено, поради замърсяване на въздушния филтър и/или запалителната свещ с масло или бензин.



ПРЕДУПРЕЖДЕНИЕ:

Когато извършвате техническо обслужване, изискващо наклоняване на агрегата, резервоарът за гориво трябва да бъде празен, или то може да потече и да причини пожар или експлозия.

Ние ви препоръчваме да посетите Оторизиран сервизен представител на Briggs & Stratton за всички операции по техническото и сервизното обслужване на двигателя и резервните части.

ПРЕДУПРЕЖДЕНИЕ: Всички компоненти, използвани при производството на този двигател, трябва да бъдат на мястото си за правилната му работа.

Контрол на емисиите

Поддръжката, смяната или ремонтът на устройствата за контрол на вредните емисии могат да бъдат извършвани от всеки ремонтен цех или техник, ремонтиращи двигатели, които не се използват за транспортни цели. Все пак, за да получите "безплатно" обслужване на устройствата за контрол на вредните емисии, работата трябва да бъде извършена от упълномощен заводски представител. Направете справка в Гаранцията относно вредните емисии.



ПРЕДУПРЕЖДЕНИЕ

Случайно искрене може да доведе до пожар или поразяване от електрически ток.
Неволно стартиране може да доведе до захващане, травматична ампутация или до раняване.
Опасност от пожар



Преди извършване на регулировки и поправки:

- Откачете кабела на запалителната свещ и го дръжте далеч от нея.
- Откачете минус-клемата на акумулатора (само при двигатели с електрически стартер).
- Използвайте само подходящи инструменти.
- Не застопявайте с регулиращата пружина, лостовите системи или с други части, за да повишите оборотите на двигателя.
- Резервните части трябва да бъдат със същата конструкция и да се монтират в същото положение, както оригиналните части. Части от друг производител може да не работят добре, може да повредят агрегата или да доведат до раняване.
- Не удрайте маховика с чук или твърд предмет, защото той може да се строши по време на работа.

При изпробване за искра:

- Използвайте одобрен тип тестер за свещи.
- Не правете проверка за искра при извадена запалителна свещ.

График за техническо обслужване

След първите 5 часа
<ul style="list-style-type: none">• Да се смени маслото
На всеки 8 часа или ежедневно
<ul style="list-style-type: none">• Да се проверява нивото на маслото в двигателя• Да се почистват повърхностите около шумозаглушителя и управленията.
На всеки 25 часа или ежегодно
<ul style="list-style-type: none">• Да се почиства въздушния филтър *
На всеки 50 часа или ежегодно
<ul style="list-style-type: none">• Да се сменя маслото на двигателя• Да се преглеждат шумозаглушителя и искрогасителя
Ежегодно
<ul style="list-style-type: none">• Да се сменя въздушния филтър.• Да се сменя запалителната свещ• Да се почисти въздушната охладителна система *

* При наличие на запрашеност или носещи се в околното пространство отломки, да се почиства по-често.

Регулиране на карбуратора и скоростта на двигателя

Никога не регулирайте карбуратора или скоростта на двигателя. Карбураторът е настроен в завода, за да работи ефикасно при всички условия. Не манипулирайте с пружината на регулатора, лостовите механизми или другите части, за да променят скоростта на двигателя. Ако се налагат някакви настройки, свържете се с упълномощения сервизен център на Briggs & Stratton.

ПРЕДУПРЕЖДЕНИЕ: Производителят на оборудването определя максималната скорост за двигателя, монтиран на него. **Не надвишавайте** тази скорост. Ако не сте сигурен каква е максималната скорост на оборудването или каква е регулираната от завода скорост на двигателя, свържете се със упълномощения сервизен център на Briggs & Stratton за помощ. За сигурна и правилна работа на оборудването скоростта на двигателя трябва да бъде регулирана само от квалифициран сервизен техник.

Как се сменя запалителната свещ - Фигура 7

Проверявайте междината между електродите (А, Фигура 7) с помощта на калибр за тел (В). Ако е необходимо, регулирайте междината. Монтирайте и затегнете свещта с препоръчвания въртящ момент. За регулиране на междината или относно въртящия момент за затягане, направете справка в раздел **Технически данни**.

Забележка: На някои места, местният закон изисква употреба на резисторна свещ, за да се подтиснат радиосмущенията. Ако настоящият двигател е фабрично оборудван с резисторна свещ, използвайте същия тип свещ за смяна.

Да се преглеждат шумозаглушителя и искрогасителя - Фигура 8



ПРЕДУПРЕЖДЕНИЕ



Работещите двигатели отделят топлина. Частите на двигателите, особено шумозаглушителя, стават изключително горещи.



При допир може да получите сериозно изгаряне.



Горимите отпадъци, като листа, тревы, храсталак и други, могат да се запалят.

- Оставете шумозаглушителя, цилиндъра на двигателя и ребрата да се охладят, преди да ги докосвате.
- Отстранете натрупаните отломки около шумозаглушителя и цилиндъра.
- Използването или работата с двигателя, по залесени с гори, храсти или с тревни площи, според Правилника на Калифорния за обществените ресурси, Раздел 4442, представлява нарушение, освен ако двигателят не е снабден с искрогасител, поддържан в ефикасно работно състояние, както е определено в Раздел 4442. В другите щати и федерални юрисдикции може да има подобни закони. Свържете се с производителя, продавача на дребно или дистрибутора на оригиналното съоръжение, за да получите искрогасител, проектиран за монтираната на този двигател изпускателна система.

Отстранете натрупаните отломки от пространствата около шумозаглушителя и цилиндъра. Проверете шумозаглушителя (А) за пукнатини, корозия или друга повреда. Демонтирайте искрогасителя (В), (ако има такъв) и го проверете за повреда или запушване със сажди. Ако откриете повреда, монтирайте резервните части, преди да започнете работа.



ПРЕДУПРЕЖДЕНИЕ: Резервните части трябва да бъдат със същата конструкция и да се монтират в същото положение, както оригиналните части. Части от друг производител може да не работят добре, може да повредят агрегата или да доведат до нараняване.

Как се сменява маслото - Фигура 2 3 9 10



ПРЕДУПРЕЖДЕНИЕ



Горивото и неговите пари са изключително огнеопасни и избухливи.



Пожар или взрив могат да причинят сериозни обгаряния или смърт.

- Когато източвате маслото през горната тръба за наливане на масло, резервоарът за гориво трябва да бъде празен, защото горивото ще изтича и може да причини пожар или избухване.

Отработилото масло е опасен отпадъчен продукт и трябва да се складира по подходящ начин. Не го изхвърляйте с домакинските отпадъци. Проверете съвместно с общинските власти, за обслужващ център или за представител на инсталации за безопасно депониране/рециклиране на отработилото масло.

Източете отработилото масло

Маслото трябва да се източи през горната тръба за наливане на масло (Е, Фигура 10).

1. При изключен, но все още топъл двигател, откачете кабела на запалителната свещ (А) и го дръжте на разстояние от свещта (Фигура 9).
2. Свалете нивопоказателя (G, Фигура 2).
3. Когато източвате маслото през горната тръба за наливане на масло (Е), дръжте страната на двигателя със свещта (F) нагоре (Фигура 10). Източете го в подходящ контейнер.



ПРЕДУПРЕЖДЕНИЕ: Когато източвате маслото през горната тръба за наливане на масло, резервоарът за гориво трябва да бъде празен, защото горивото ще изтича и може да причини пожар или избухване. За да изпразните резервоара, оставете двигателя да работи до спиране, поради липса на гориво.

Наливане на масло

- Разположете хоризонтално двигателя.
 - Почистете мястото около отвора за наливане на масло от всички отломки.
 - Направете справка в раздел **Технически данни** относно вместимостта за маслото.
1. Свалете нивопоказателя за маслото (G) и го избършете с чист плат (Фигура 2, Фигура 3).
 2. Налейте внимателно маслото през отвора за пълнене (H). **Не препълвайте.** След наливане на масло, изчакайте една минута и после пак проверете нивото му.
 3. Монтирайте и затегнете нивопоказателя.
 4. Свалете нивопоказателя и проверете нивото на маслото. То трябва да бъде до най-високия знак за напълване (J) на нивопоказателя.
 5. Монтирайте и затегнете нивопоказателя.

Как да се обслужва въздушния филтър - Фигура 11 12



ПРЕДУПРЕЖДЕНИЕ



Бензинът и неговите пари са изключително огнеопасни и избухливи.



Пожар или взрив могат да причинят сериозни обгаряния или смърт.

- Никога не стартирайте и не работете с двигателя при отстранен комплект на въздушния филтър (ако има такъв) или при отстранен въздушен филтър (ако има такъв).

ПРЕДУПРЕЖДЕНИЕ: Не използвайте състен въздух или разтворители, за да почиствате филтъра. Състеният въздух може да повреди филтъра, а разтворителите го разтварят.

Показани са два типа системи на въздушен филтър, **Стандартен** и с **Висока производителност**. Определете типа, монтиран на вашия двигател и го обслужвайте, както следва.

Стандартен въздушен филтър - Фигура 11

Във въздушния филтър стандартен тип се използва елемент от пенопласт, който може да се промива и използва повторно.

1. Свалете гайката (А) от горната страна на комплекта на въздушния филтър (В). Вижте Фигура 11.

- Внимателно сваляйте филтърния комплект, за да предотвратите попадане на отломки в карбуратора.
- Свалете дунапренения елемент (C) от основата на въздушния филтър.
- Измийте дунапренения елемент в течен почистващ препарат и вода. Изстискайте го до сухо в чист плат.
- Наситете дунапренения елемент с чисто масло за двигателя. За да отстраните излишното масло, изстискайте елемента в чист плат.
- Монтирайте дунапренения елемент в основата на въздушния филтър.
- Монтирайте филтърния комплект върху карбуратора и го обезопасете с болт.

Въздушен филтър с висока производителност - Фигура 12

Във въздушния филтър с висока производителност се използва елемент от надиплена филтърна хартия.

- Свалете гайката (A) от горната страна на комплекта на въздушния филтър (B). Вижте Фигура 12.
- Внимателно сваляйте филтърния комплект, за да предотвратите попадане на отломки в карбуратора.
- Свалете елемента от нагъната филтърна хартия (C) от основата на въздушния филтър.
- За да отстраните наслояванията, внимателно почуквайте елемента от надиплена филтърна хартия върху твърда повърхност. Ако елементът е прекомерно замърсен, сменете го с нов.
- Монтирайте елемента от надиплена филтърна хартия.
- Монтирайте филтърния комплект върху карбуратора и го обезопасете с болт.

Как се почиства охладителната система - Фигура 13



ПРЕДУПРЕЖДЕНИЕ



Работещите двигатели отделят топлина. Частите на двигателите, особено шумозаглушителя, стават изключително горещи.

При допир може да получите сериозно изгаряне.



Горимите отпадъци, като листа, тревя, храсталак и други, могат да се запалят.

- Оставете шумозаглушителя, цилиндъра на двигателя и ребрата да се охладят, преди да ги докосвате.
- Отстранете натрупаните отломки около шумозаглушителя и цилиндъра.

ПРЕДУПРЕЖДЕНИЕ: Не използвайте вода, за да почиствате двигателя. Водата може да замърси горивната система. Използвайте четка или сух плат, за да го почистите.

Това е двигател с въздушно охлаждане. Нечистотиите и наслояванията могат да ограничат въздушния поток и да причинят прегряването му, което води до намаляване на показателите и продължителността на живота му.

Използвайте четка или сух плат, за да отстраните наслояванията от предпазителя на пръстите (A). Пазете чисти лостовата система, пружините и управленията (B). Пазете пространството около и зад шумозаглушителя (C) свободно от всякакви запалими наслоявания (Фигура 13).

Складиране



ПРЕДУПРЕЖДЕНИЕ



Горивото и неговите пари са изключително огнеопасни и избухливи.



Пожар или взрив могат да причинят сериозни обгаряния или смърт.

При складиране на гориво или на машина с гориво в резервоара

- Складирайте далеч от пещи, печки, водонагреватели или други електрически прибори, които имат сигнални лампи или други запалителни източници, защото те могат да възпламенят изпаренията от горивото.

Горивна система

Горивото остарява при складиране за повече от 30 дни. Остарялото гориво води до наслояване на киселина и смола в горивната система или по основните части на карбуратора. За да запазите горивото прясно, използвайте **съвременната формула на Briggs & Stratton за стабилизатор Fuel Treatment & Stabilizer**, който може да се намери, там където се продават оригинални части на Briggs & Stratton.

За двигатели, оборудвани с капачка на горивото FRESH START®, използвайте Briggs & Stratton FRESH START®, който може да се намери като капкомерен флакон с концентрат.

Ако се добавя стабилизатора за горивото съгласно инструкциите, няма нужда бензинът да се източва. Оставете двигателят да работи около 2 минути, за да циркулира стабилизаторът в горивната система, преди да го складира.

Ако бензинът в двигателя не е бил обработван със стабилизатор, той трябва да бъде източен в подходящ за целта съд. Оставете двигателят да работи, докато спре поради изчерпване на горивото. За да поддържате свежестта на горивото при складирането му, препоръчваме използването на стабилизатор.

Маслото на двигателя

Докато двигателят е все още топъл сменете маслото.

ПРЕДУПРЕЖДЕНИЕ: Складирайте двигателя в хоризонтално положение (нормална работна позиция). Ако двигателят се наклонява по време на складирането му, резервоарът за горивото **трябва да бъде празен**, а страната със запалителната свещ **да бъде нагоре**. Ако резервоарът не е изпразнен, а двигателят е наклоняван в друга посока, стартирането може да бъде затруднено, поради замърсяване на въздушния филтър и/или запалителната свещ с масло или бензин.

Откриване и отстраняване на неизправности

Нуждаете ли се от помощ? Посетете **BRIGGSandSTRATTON.COM** или се обадете на **1-800-233-3723** (в САЩ).

Технически данни

Спецификации за двигателя	
Модел	90000
Работен обем	9,02 in ³ (148 cm ³)
Вътрешен диаметър на цилиндъра	2,562 in (65,08 mm)
Работен ход на буталото	1,750 in (44,45 mm)
Вместимост за масло	18 - 20 oz (0,54 - 0,59 L)

Спецификации за двигателя	
Модел	100000
Работен обем	9,67 in ³ (158 cm ³)
Вътрешен диаметър на цилиндъра	2,562 in (65,08 mm)
Работен ход на буталото	1,875 in (47,65 mm)
Вместимост за масло	18 - 20 oz (0,54 - 0,59 L)

Регулировъчни данни *

Модел	90000, 100000
Искрова междина на запалителната свещ	0,030 in (0,76 mm)
Въртящ момент за затягане на запалителната свещ	180 lb-in (20 Nm)
Въздушна междина между ротора и статора	0,006 - 0,010 in (0,15 - 0,25 mm)
Междина на смукателния клапан	0,005 - 0,007 in (0,13 - 0,18 mm)
Междина на изпускателния клапан	0,007 - 0,009 in (0,18 - 0,23 mm)

* Мощността на двигателя намалява с 3,5% на всеки 1000 фута (300 метра) над морското ниво и с 1% за всеки 10° F (5,6° C) above 77° F (25° C). Двигателят ще работи задоволително при наклон до 15°. Направете справка в Ръководството за работа с оборудването за безопасните работни граници на наклони.

Обикновени части за поддръжка ✓

Сервизна част	Номер на частта
Стандартен въздушен филтър	698369
Въздушен филтър с висока производителност	797819
Масло — SAE 30	100005
Горивна добавка	5041, 5058
Резисторна запалителна свещ	796112
Дълготрайна платинена запалителна свещ	5062
Ключ за свещ	89838, 5023
Искров тестер	19368

✓ Ние ви препоръчваме да посетите някой Оторизиран сервизен представител на Briggs & Stratton за всички операции по техническото и сервизното обслужване на двигателя и за резервните части.

ОГРАНИЧЕНА ГАРАНЦИЯ

Корпорация Briggs & Stratton гарантира, че по време на определения по-долу гаранционен период, ще ремонтира или замени безплатно всяка дефектна част поради некачествен материал или изработка, или поради двете причини. Транспортните разходи на изпратените за ремонт или смяна части по тази гаранция се поемат от купувача. Тази гаранция е валидна за определения срок и е предмет на срока и условията, фиксирани по-долу. За обслужване по гаранцията се обърнете към най-близкия Упълномощен сервизен представител, който може да откриете в нашия указател на Интернет адрес BRIGGSandSTRATTON.com. Купувачът трябва да се обърне към Упълномощения сервизен представител, след което да предостави продукта в сервиза му за проверка и изпитване.

няма друга специална гаранция. Подразбиращите се гаранции, включително тези за продаваемост и годност за специална цел, са ограничени до една година от датата на купуване или до срока, разрешен от закона. Всички други подразбиращи се гаранции се изключват. Отговорност за случайни или последващи щети се изключват в степен, позволена от закона. Някои щати или страни не позволяват ограничения за времетраенето на подразбиращата се гаранция, а някои щати или страни не позволяват изключването или ограничаването на случайни или последващи щети, така че е възможно горното ограничение и изключение да не важи за вас. Тази гаранция ви дава специфични законови права, а вие можете да имате и други права, които са различни за всеки щат или всяка страна **.

СТАНДАРТНИ ГАРАНЦИОННИ УСЛОВИЯ * ▲

Марка/Вид продукт	За ползване за собствени нужди	За ползване за промишлени нужди
Vanguard™ ■	3 години	3 години
Търговска серия за чимове™	2 години	2 години
Серии с удължен живот™; I/C®; Intek™ I/C®; Intek™ Pro;™ Професионална серия™ с чугунена риза Dura-Bore™; Серия 850™ с чугунена риза Dura-Bore™; Серия за сняг MAX™ с Dura-Bore™ чугунена риза Всички други двигатели на Briggs & Stratton, имащи Dura-Bore™ чугунена риза	2 години	1 година
Всички други двигатели на Briggs & Stratton	2 години	90 дни

- * Тези са нашите стандартни гаранционни условия, но епизодично е възможно допълнително гаранционно покритие, което не е било определено към момента на публикуването им. За списъка с текущите гаранционни условия за вашия двигател посетете адреса ни в Интернет BRIGGSandSTRATTON.COM или се обърнете към Упълномощен сервизен представител на Briggs & Stratton.
- ** За Австралия — Нашите стоки пристигат с гаранциите, които не могат да бъдат изключени съгласно австралийския потребителски закон. Дава ви се право на замяна или връщане на сумата при съществена неизправност и за компенсация за всяка друга обоснована и обзрима загуба или щета. Имате право и да получите стоките си поправени или сменени, ако те не покажат приемливо качество и повредата им не води до съществена неизправност. За обслужване по гаранцията се обърнете към най-близкия Упълномощен сервизен представител в нашия указател на интернет адрес BRIGGSandSTRATTON.COM, или се обадете на тел. 1300 274 447, или напишете e-mail или писмо съответно на електронна поща salesenquiries@briggsandstratton.com.au, или на адрес Briggs & Stratton Australia Pty Ltd, 1 Moorebank Avenue, Moorebank, NSW, Australia, 2170.
- ▲ Двигатели, монтирани на домашен генератор за електроенергия: гарантирани са 2 години само за потребителско ползване. Няма търговска гаранция. Настоящата гаранция не е валидна за двигатели, монтирани на оборудване, ползвано като първична мощност, вместо централното захранване.
- Двигатели, използвани за състезания, за търговски цели или за отдаване под наем, не са покрити от гаранцията.

Гаранционният период започва от датата на купуване от първия потребител на дребно или от крайния потребител за промишлени нужди и продължава за периода, посочен в таблицата горе. "За ползване за собствени нужди" означава лично използване в домакинство от потребител на дребно. "За ползване за промишлени нужди" означава всички други употреби, включително търговска употреба, както и такава, формираща доход или отдаване под наем. След като веднъж двигателят е бил ползван за промишлени нужди, по-нататък той ще бъде считан като двигател за промишлени нужди за целите на тази гаранция.

Не е необходима регистрация на гаранцията, за да се получи гаранционно обслужване за продуктите на Briggs & Stratton. Пазете за доказателство квитанцията от покупката. Ако не осигурите доказателство за началната дата на купуване, при поискване на гаранционно обслужване, датата на производство на продукта ще бъде използвана за определяне на гаранционния период.

Относно вашата гаранция

Корпорация Briggs & Stratton приема с удоволствие гаранционния ремонт и се извинява за причиненото ви неудобство. Всеки оторизиран сервизен представител може да извърши гаранционните ремонти. Повечето гаранционни ремонти се извършват рутинно, но понякога исканията за гаранционен сервиз може да не са мотивирани. За да се избегнат недоразумения, които могат да се появят между купувача и продавача, по-долу са изброени някои от причините за повреда на двигателите, които гаранцията не покрива.

Нормално износване: Двигателите, както всички механични устройства, се нуждаят от периодична замяна на части и обслужване, за да работят добре. Гаранцията не покрива ремонта, когато при нормално износване дадена част или двигателят са изчерпали живота си. Гаранцията не се прилага, ако в двигателя се случи повреда, поради неправилно ползване или отсъствие на рутинна поддръжка, транспортиране, манипулиране, съхраняване или неправилен монтаж. Също така, гаранцията се губи, ако серийният номер на двигателя е отстранен или по него са правени промени.

Неправилно поддържане: Животът на даден двигател зависи от условията, при които работи и от грижите, които получава. Някои приложения, като култиватори, помпи, и ротационни косачки, много често се използват в прашна и замърсена среда, което може да доведе до предаврителното им износване. Такова износване не се покрива от гаранцията, когато се дължи на мръсотия, прах, абразив за почистване на свещта или други абразивни материали, попаднали в двигателя поради некачествено поддържане.

Тази гаранция покрива само употребен в двигателя дефектен материал и/или изработка, а не замяната или възстановяването на машината, към която двигателят може да бъде монтиран. Гаранцията не покрива и поискани ремонти поради:

- 1 Проблеми, причинени от части, които не са оригинални части на Briggs & Stratton.
- 2 Устройства за управление на машината или съоръжения, които пречат на стартирането на двигателя, водят до незадоволителната му работа или скъсяват живота му. (Консултирайте се с производителя на устройствата.)
- 3 Течащи карбуратори, задръстени горивни тръби, блокирани клапани или други повреди, причинени от употребата на замърсено или остаряло гориво.

- 4 Части, които са надрани или счупени, защото двигателят е работил с недостатъчно или замърсено масло, или с масло с неподходящо качество (проверявайте и доливайте, когато е необходимо и го сменявайте на препоръчаните интервали от време.) Аварийното устройство OIL GARD може да не спре работещия двигател. Ако нивото на маслото не се поддържа точно, двигателят може да се повреди.
- 5 Ремонт или регулиране на монтирани части или агрегати като съединители, предавателни механизми, дистанционни управления и др., които не са произведени от Briggs & Stratton.
- 6 Повреда или износване на части, причинени от нечистотия, попаднала в двигателя, поради некачествено поддържане на въздушния филтър, некачествен повтарен монтаж или от използване на неоригинални елементи за филтър. На препоръчаните интервали от време почиствайте и/или сменявайте филтъра, както е посочено в Ръководството за работа.
- 7 Части, повредени от превишена скорост или прегряване, причинени от тревя, парчета или мръсотия, която запушва или задръства охладителните ребра и камерата на маховика, или повреда поради работа на двигателя в затворено пространство без достатъчно проветряване. Почиствайте двигателя от попаднали парчета на препоръчаните интервали от време, както е посочено в Ръководството за работа.
- 8 Части на двигателя или машината, счупени от прекомерна вибрация, дължаща се на хлабав монтаж на двигателя, хлабави режещи ножове, хлабави пластини и хлабави или зле балансирани работни кола, на недобро куплиране на машината към коленчатия вал на двигателя, на свързани високи обороти или друга злоупотреба при работа.
- 9 Огънат или счупен коленчат вал вследствие на удар в твърд предмет на режещия нож на ротационната полева косачка или от прекомерно натягане на трапецовидния ремък.
- 10 Рутинна настройка и регулировка на двигателя.
- 11 Повреда на двигателя или на негов елемент, т.е. горивна камера, клапани, клапанни легла, клапанни водачи, или изгорели намотки на стартера поради използването на алтернативни горива като нафта, природен газ, бензини със съдържание на етанол по-голямо от 10 процента и т.н.

Гаранционното обслужване е достъпно единствено чрез Оторизираните сервизни представители на Корпорация Briggs & Stratton. Намерете най-близкия Оторизиран сервизен представител в нашата указателна карта за представителите на Интернет адрес BRIGGSandSTRATTON.COM или като се обадите на тел. 1-800-233-3723 (в САЩ).

Všeobecné informace

Tato příručka obsahuje bezpečnostní informace nezbytné pro to, abyste věděli, jaká nebezpečí a rizika souvisí s motory a jak se jim vyhnout. Obsahuje i pokyny, jak řádně motor používat a jak se něj starat. Vzhledem k tomu, že korporace Briggs & Stratton nemusí nutně vědět, jaké zařízení bude tento motor pohánět, je důležité, abyste si přečetli a pochopili tyto pokyny a pokyny pro zařízení, které tento motor pohání.

Ušchovejte originál těchto pokynů pro budoucí použití.

Potřebujete-li náhradní díly nebo technickou pomoc, запиšte dolů model motoru, typové a kódové číslo a datum nákupu. Tato naleznete na svém motoru (viz kapitola **Funkce a ovládací prvky**).

Datum nákupu: _____
DD/MM/RRRR

Model motoru: _____
Model: Typ: Kód:

Jmenovité hodnoty výkonu: Hrubý jmenovitý výkon jednotlivých modelů benzínových motorů je uváděn v souladu s normou J1940 pro postup při stanovování výkonu a krouticího momentu u malých motorů (Small Engine Power & Torque Rating Procedure) vydané asociací SAE (Society of Automotive Engineers) a jmenovitý výkon byl získán a přepočten v souladu s normou SAE J1995. Hodnoty krouticího momentu byly získány při 2600 RPM u motorů označených štítkem „rpm“ a při 3060 RPM u všech ostatních motorů. Hodnoty výkonu v koních byly získány při 3600 RPM. Křivky hrubého výkonu motoru si můžete zobrazit na webu www.BRIGGSandSTRATTON.COM. Čisté hodnoty výkonu byly získány s namontovaným výfukem a vzduchovým filtrem, zatímco hrubé hodnoty výkonu byly získány bez tohoto příslušenství. Skutečný hrubý výkon motoru bude vyšší než čistý výkon, což je ovlivněno mimo jiné provozními podmínkami prostředí a rozdíly mezi jednotlivými vyrobenými kusy motorů. Z důvodu široké škály produktů, do nichž se motory umísťují, nemusí benzínový motor při použití v konkrétním druhu zařízení dosahovat jmenovitého hrubého výkonu. Tento rozdíl je způsoben mnoha faktory, mezi něž patří velký výběr komponent motoru (jako je například vzduchový filtr, výfuk, plnění, chlazení, karburátor, palivové čerpadlo atd.), omezení využití, provozní podmínky prostředí (teplota, vlhkost, nadmořská výška) a rozdíly mezi jednotlivými vyrobenými kusy motoru. V důsledku výrobních a kapacitních omezení může společnost Briggs & Stratton nahradit motor této série motorem s vyšším jmenovitým výkonem.

Bezpečnost obsluhy

BEZPEČNOSTNÍ A KONTROLNÍ SYMBOLY



Požár



Pohyblivé části



Olej



Toxické výpary



Pomalů



Rychle



Stop



Výbuch



Úraz elektrickým proudem



Palivo



Sytič



Zapnuto/Vypnuto



Uzávěr paliva



Zpětný ráz



Používejte ochranu zraku



Nebezpečná chemikálie



Čtete návod



Horký povrch



Omrzlivo



VAROVÁNÍ

Některé součásti tohoto produktu a související příslušenství obsahují chemické látky, o nichž je ve státě Kalifornie známo, že způsobují rakovinu, poškození plodu či jiné poruchy reprodukce. Po manipulaci si umyjte ruce.



VAROVÁNÍ

Výfukové plyny tohoto výrobku obsahují chemikálie, o nichž je ve státě Kalifornie známo, že způsobují rakovinu, poškození plodu či jiné poruchy reprodukce.



VAROVÁNÍ

Motory značky Briggs & Stratton nejsou zkonstruovány pro pohánění vozítek, motokár, dětských, rekreačních nebo sportovních terénních vozidel (ATV), motocyklů, vznášedel, leteckých produktů nebo vozidel používaných v soutěžích, které společnost Briggs & Stratton neschválila, a nesmějí být tedy takto použity. Informace o soutěžních a závodních výrobcích naleznete na adrese www.briggsracing.com. Informace o používání ve čtyřkolkách a ATV vozidlech side-by-side získáte v Engine Application Center, středisku pro aplikaci motorů společnosti Briggs & Stratton, tel. 1-866-927-3349. Nesprávné použití motoru může vést k vážnému zranění nebo smrti.

Symbol bezpečnostního upozornění označuje bezpečnostní informace týkající se rizik, která mohou způsobit úraz. Signální slovo (NEBEZPEČÍ, UPOZORNĚNÍ nebo VÝSTRAHA) se používá spolu s varovným symbolem pro vyznačení pravděpodobnosti a potenciální vážnosti úrazu. Mimo to může být pro označení druhu nebezpečí použit symbol nebezpečí.



NEBEZPEČÍ označuje ohrožení, které, není-li eliminováno, způsobí smrt nebo vážný úraz.



VAROVÁNÍ označuje ohrožení, které, není-li eliminováno, může způsobit smrt nebo vážný úraz.



POZOR označuje ohrožení, které, není-li eliminováno, může způsobit lehký, nebo středně těžký úraz.

POZNÁMKA označuje situaci, v níž by mohlo dojít k poškození produktu.

POZNÁMKA: Tento motor je dodáván firmou Briggs & Stratton bez oleje. Před spuštěním motoru zkontrolujte hladinu oleje. Pokud spustíte motor bez oleje, může dojít k jeho neopravitelnému poškození, na které se nebude vztahovat záruka.



VAROVÁNÍ



Palivo a jeho páry jsou vysoce hořlavé a výbušné.
Požár nebo výbuch může způsobit vážné popáleniny nebo i smrt

Když doplňujete palivo

- Vypněte motor a před sejmutím uzávěru palivové nádrže jej nechte nejméně 2 minuty chladnout.
- Nádrž plňte venku nebo v dobře větraném prostoru.
- Palivovou nádrž nepřepĺňujte. Kvůli tepelné roztažnosti paliva naplňte nádrž jen po spodní okraj hrdla.
- Chraňte palivo před jiskrami, otevřeným ohněm, věčným plamínkem, teplem a jinými zdroji zapálení.
- Kontrolujte palivové potrubí, nádrž a uzávěr a všechny spoje na těsnost a praskliny. V případě potřeby proveďte výměnu.
- Jestliže rozlijete palivo, počkejte, až se odpaří a teprve potom spusťte motor.

Při spouštění motoru

- Zkontrolujte, zda jsou na svém místě svíčky, tlumič výfuku, víčko palivové nádrže a vzduchový filtr (je-li jím motor vybaven), a zda jsou dobře zajištěny.
- Neotáčejte motorem při odstraněné svíčce.
- Při přeplavení motoru nastavte sytič (je-li k dispozici) do polohy OPEN/RUN (chod) a škrtkici klapku do polohy FAST (rychle) a protáčejte motor, dokud nenaskočí.

Při obsluze zařízení

- Nenaklánějte motor ani zařízení do polohy, která by způsobila únik paliva.
- Motor se nesmí zastavovat zahlcením karburátoru.
- Nespouštějte ani neprovazujte motor s odmontovanou sestavou vzduchového filtru (je-li jím motor vybaven) nebo s vyjmutým vzduchovým filtrem (je-li jím motor vybaven).

Při výměně oleje

- když vypouštíte olej z horní plnicí olejové trubky, musí být palivová nádrž prázdná, protože jinak může palivo unikat z nádrže a způsobit požár nebo explozi.

Překlopení zařízení za účelem údržby

- Když provádíte údržbu, která vyžaduje překlopení zařízení, musí být palivová nádrž prázdná, jinak může palivo uniknout a způsobit požár nebo explozi.

Při přepravě zařízení

- Zařízení přepřavujte s PRÁZDNOU palivovou nádrží nebo zavřeným palivovým kohoutem.

Při skladování paliva nebo zařízení s palivem v nádrží

- Uložte odděleně od pecí, kamen, ohřívачů vody či jiných zařízení, která mají věčný plamínek nebo od jiných zdrojů zapálení. Mohou zažehnout výpary z paliva.



VAROVÁNÍ



Spouštění motoru je doprovázeno jiskřením.
Jiskření může zažehnout přítomné hořlavé plyny.
Výsledkem může být požár nebo výbuch.

- Nespouštějte motor, uniká-li v prostoru zemní plyn nebo propan-butan (LPG).
- Nepoužívejte stlačené startovací kapaliny, jejich páry jsou hořlavé.



VAROVÁNÍ



Provozem motorů se vytváří teplo. Díly motoru, zejména tlumič výfuku, jsou za provozu extrémně horké.

Ve styku s nimi mohou vzniknout vážné popáleniny.

Hořlavý materiál, jako je listí, tráva, roští atd., může vzplanout.

- Před manipulací nechejte tlumič výfuku, válec a žebra motoru vychladnout.
- Odstraňujte hořlavé nečistoty, hromadící se v prostoru tlumiče a válce.
- Při použití zařízení na zalesněném, travnatém nebo křovím porostlém pozemku bez lapače jisker nainstalovaného ve výfukovém systému a udržovaného v řádném funkčním stavu porušujete ustanovení paragrafu 4442 Zákona o veřejných zdrojích státu Kalifornie. Jiné státy nebo federální jurisdikce mohou mít podobné zákony. Chcete-li zakoupit lapač jisker vhodný pro výfukový systém nainstalovaný na tomto motoru, kontaktujte výrobce původního zařízení, prodejce nebo dodavatele.



VAROVÁNÍ



RIZIKO VZNIKU JEDOVATÝCH PLYNŮ. Výfukové plyny z motorů obsahují oxid uhelnatý, jedovatý plyn, který vás může během několika minut zabít. **NEMŮŽETE jej vidět ani cítit, je bez chuti.** I když výfukové plyny necítíte, můžete být vystaveni působení oxidu uhelnatého. Pokud vám začne být během používání tohoto produktu špatně, začne se vám točit hlava nebo pocítíte slabost, vypněte jej a **OKAMŽITĚ jděte na čerstvý vzduch.** Navštivte lékaře. Možná se jedná o otravu kyslíčikem uhelnatým.

- Tento produkt používejte výhradně v dostatečné vzdálenosti od oken, dveří a větracích otvorů, aby se snížilo riziko hromadění oxidu uhelnatého a jeho potenciální pronikání do obytných prostor.
- Nainstalujte baterii napájené detektory oxidu uhelnatého nebo elektrické detektory oxidu uhelnatého se záložním napájením z baterie podle pokynů výrobce. Detektory kouře nedokážou oxid uhelnatý odhalit.
- Nepoužívejte tento výrobek v domech, garážích, sklepech, chodbách, kůlnách nebo ostatních částečně uzavřených prostorech, a to ani tehdy, používáte-li ventilátory nebo máte otevřené dveře a okna za účelem větrání. Oxid uhelnatý se na těchto místech může snadno hromadit a může zde zůstat celé hodiny, a to i tehdy, když byl produkt již vypnut.
- Vždy umísťujte tento produkt po větru a natočte jej tak, aby jeho výfuk směřoval mimo obytné prostory.



VAROVÁNÍ



Rychlé zatažení (zpětné "kopnutí") lanka spouštěče přitáhne ruku a paži k motoru rychleji, než ho stačíte pustit.

Je tu nebezpečí zlomeniny, odření nebo natažení šlach.

- Při startování motoru táhněte za lanko spouštěče pomalu, dokud neucítíte odpor a pak rychle zatahněte, abyste zabránili zpětnému kopnutí.
- Před spuštěním motoru zbraňte motor veškerého vnějšího vybavení/zátěže.
- Přímou spřažené součásti zařízení, např. nože, oběžná kola, řemenice, ozubená kola atd., musí být bezpečně upevněny.



VAROVÁNÍ



Otáčivé části se mohou dostat do styku nebo zachytit ruce, nohy, vlasy, oděv či výstroj.

Může dojít k těžkým tržným ranám až amputacím končetin.

- Provozujte zařízení pouze s upevněnými ochrannými kryty.
- Nepřibližujte ruce a nohy k rotujícím částem.
- Sepněte si dlouhé vlasy a sejměte šperky.
- Nenoste volně vlající oděv, volně visící stahovací tkalouny a šňůry, jež mohou být zachyceny.



VAROVÁNÍ



Neúmyslné jiskření může způsobit požár nebo úraz elektrickým proudem.

Neúmyslné spuštění motoru může způsobit zachycení, amputaci končetiny nebo tržné rány.

Riziko požáru



Před prováděním seřizování nebo oprav:

- Odpojte kabel od zapalovací svíčky a uložte jej dále od zapalovací svíčky.
- Odpojte kabel od záporného vývodu akumulátoru (jen pokud je motor vybaven elektrickým spouštěčem).
- Používejte pouze správné nástroje.
- Otáčky motoru se nesmí zvyšovat úpravami pružin regulátoru, táhel a ostatních dílů.
- Náhradní díly musí mít stejné provedení jako původní díly a musí být nainstalovány ve stejné poloze. Jiné díly nemusí poskytovat požadovaný výkon, mohou poškodit zařízení nebo způsobit zranění.
- Na setrvačnick netlučte klavírem nebo tvrdým předmětem, protože hrozí rozpad setrvačnicku při dalším provozu.

Při zkoušení svíčky:

- Použijte schválenou zkoušečku zapalovacích svíček
- Nezkoušejte jiskru zapalování při vyjmuté svíčce.

Funkce a ovládací prvky

Porovnávejte ilustrace **1** s motorem, abyste se seznámili s umístěním různých funkcí a ovládacích prvků.

- A. Identifikace motoru
Model Typ Kód
- B. Zapalovací svíčka
- C. Plnicí tlačítko karburátoru
- D. Palivová nádrž a víčko
- E. Vzduchový filtr
- F. Rukojeť lanka spouštěče
- G. Ponomá měrka oleje
- H. Tlumič výfuku
Kryt tlumiče výfuku (je-li instalován)
Lapač jisker (je-li instalován)
- I. Ovládání škrticí klapky (je-li jím motor vybaven)

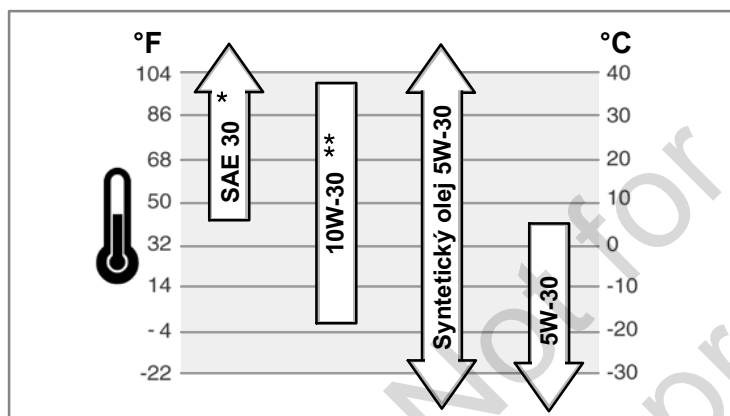
Fungování

Objem oleje (viz část **Specifikace**)

Doporučené oleje

Nejlepší výkonnosti dosáhnete, budete-li používat doporučené oleje používat značky Briggs & Stratton s potvrzenou zárukou. Ostatní vysoce jakostní detergentní oleje jsou přijatelné, jestliže jsou klasifikovány minimálně pro SF, SG, SH, SJ. Nepoužívejte zvláštní aditiva.

Venkovní teploty určují správnou viskozitu oleje pro motor. Pro očekávaný rozsah venkovní teploty vyberte nejlepší viskozitu pomocí tabulky.



* Používání oleje SAE 30 při teplotách nižších než 4°C (40°F) způsobuje obtížné startování.

** Použití oleje 10W-30 při teplotách nad 27°C (80°F) může způsobit zvýšenou spotřebu oleje. V tomto případě kontrolujte častěji stav oleje.

Postup kontroly/přidání oleje – obrázek 2 3

Před doplněním nebo kontrolou oleje

- Motor dejte do vodorovné polohy.
 - Vyčistěte prostor pro doplňování oleje od nečistot.
1. Vyjměte měrku (G) a otřete ji čistým hadříkem (obrázek 2, obrázek 3).
 2. Vložte měrku zpět a utáhněte ji.
 3. Vyjměte měrku a zkontrolujte hladinu oleje. Měla by být v horní části indikátoru full (J) na měrce.
 4. Pokud je hladina oleje nízká, nalévejte olej pomalu do plnicího otvoru (H). **Dejte pozor, abyste jej nepřelili.** Po doplnění oleje počkejte jednu minutu a pak stav oleje znovu zkontrolujte.
 5. Zasuňte měrku zpět a utáhněte ji.

Systém ochrany před nízkou hladinou oleje (je-li jím zařízení vybaveno)

Některé motory jsou vybaveny snímačem nízké hladiny oleje. Pokud je hladina oleje nízká, snímač buď aktivuje kontrolku nebo zastaví motor. Vypněte motor a před jeho opětovným zapnutím proveďte následující kroky.

- Zkontrolujte, zda je motor vyvážen a zda stojí rovně.
- Zkontrolujte hladinu oleje. Viz pokyny v části **Postup kontroly/přidání oleje**.
- Pokud je hladina oleje nízká, doplňte potřebné množství oleje. Spusťte motor a zkontrolujte, zda nesvítil kontrolka (pokud je jí zařízení vybaveno).

- Pokud není hladina oleje nízká, **nepouštějte** motor. Požádejte autorizovaného dealera společnosti Briggs & Stratton, aby problém s olejem odstranil.

Doporučení týkající se benzínu

Palivo musí splňovat následující požadavky:

- Používejte čistý, čerstvý bezolovnatý benzín.
- Minimálně 87 oktanů/87 AKI (91 RON). V případě, že používáte stroj ve vyšších nadmořských výškách, viz níže.
- Benzín s obsahem až 10 % etanolu je přijatelný.

UPOZORNĚNÍ: Nepoužívejte neschválené benzíny, jako například E15 a E85. Nepřidávejte do benzínu olej ani neupravujte motor pro provoz s alternativními palivy. Při používání neschválených benzínů dojde k poškození součástí motoru a **záruka na motor se stane neplatnou**.

Do paliva přidávejte stabilizátor paliva, abyste zabránili tvorbě pryskyřičných usazenin v palivové soustavě. Viz **Skladování**. Všechna paliva nejsou stejná. Pokud se objeví problémy se spouštěním nebo výkonností motoru, změňte dodavatele paliva nebo značku. Tento motor je úředně schválen jako benzínový motor. Systém řízení emisí tohoto motoru je EM (Engine Modifications).

Vyšší nadmořské výšky

Ve výškách nad 1 524 m (5 000 stop) je přípustný minimálně 85oktanový/85 AKI (89 RON) benzín. Aby byly dodrženy emisní limity, musí být motor pro vyšší nadmořské výšky seřízen. Provoz bez tohoto seřízení způsobí snížení výkonnosti, zvýšenou spotřebu paliva a zvýšené emise. Informace o seřízení pro vyšší nadmořské výšky získáte u autorizovaných prodejců značky Briggs & Stratton.

Provoz motoru v nadmořských výškách pod 762 m (2 500 stop) v úpravě pro vyšší nadmořské výšky, se nedoporučuje.

Postup doplnění paliva – obrázek 4



VAROVÁNÍ



Palivo a jeho páry jsou vysoce hořlavé a výbušné. Požár nebo výbuch může způsobit vážné popáleniny nebo i smrt.

Když doplňujete palivo

- Vypněte motor a před sejmutím uzávěru palivové nádrže jej nechte nejméně 2 minuty chladnout.
- Nádrž plňte venku nebo v dobře větraném prostoru.
- Palivovou nádrž nepřehřejte. Kvůli tepelné roztažnosti paliva naplňte nádrž jen po spodní okraj hrdla.
- Chraňte palivo před jiskrami, otevřeným ohněm, věčným plamínkem, teplem a jinými zdroji zapálení.
- Kontrolujte palivové potrubí, nádrž a uzávěr a všechny spoje na těsnost a praskliny. V případě potřeby proveďte výměnu.
- Jestliže rozlijete palivo, počkejte, až se odpaří a teprve potom spusťte motor.

1. Odstraňte z oblastí kolem uzávěru palivové nádrže. Sejměte uzávěr palivové nádrže (A, viz obrázek 4).
2. Naplňte palivovou nádrž (B) benzínem. Kvůli tepelné roztažnosti benzínu dbejte na to, aby při plnění hladina nepřesáhla spodní část hrdla palivové nádrže (C).
3. Nasaďte uzávěr palivové nádrže.

Jak spustit motor – obrázek 5 6



VAROVÁNÍ



Rychlé zatažení (zpětné "kopnutí") lanka spouštěče přitáhne ruku a paži k motoru rychleji, než ho stačíte pusťt. Je tu nebezpečí zlomeniny, odření nebo natažení šlach.

- Při startování motoru táhněte za lanko spouštěče pomalu, dokud neucítíte odpor a pak rychle zatahněte, abyste zabránili zpětnému kopnutí.



VAROVÁNÍ



Palivo a jeho páry jsou vysoce hořlavé a výbušné. Požár nebo výbuch může způsobit vážné popáleniny nebo i smrt.

Při spouštění motoru

- Zkontrolujte, zda jsou na svém místě svíčky, tlumič výfuku, víčko palivové nádrže a vzduchový filtr (je-li jím motor vybaven), a zda jsou dobře zajištěny.
- Neotáčejte motorem při odstranění svíčky.
- Při přeplavení motoru nastavte sytič (je-li k dispozici) do polohy OPEN/RUN (chod) a škrticí klapku do polohy FAST (rychle) a protáčejte motor, dokud nenaskočí.



VAROVÁNÍ





RIZIKO VZNIKU JEDOVATÝCH PLYNŮ. Výfukové plyny z motorů obsahují oxid uhelnatý, jedovatý plyn, který vás může během několika minut zabít. NEMŮŽETE jej vidět ani cítit, je bez chuti. I když výfukové plyny necítíte, můžete být vystaveni působení oxidu uhelnatého. Pokud vám začne být během používání tohoto produktu špatně, začne se vám točit hlava nebo pocítíte slabost, vypněte jej a OKAMŽITĚ jděte na čerstvý vzduch. Navštivte lékaře. Možná se jedná o otravu kyslíčikem uhelnatým.

- Tento produkt používejte výhradně v dostatečné vzdálenosti od oken, dveří a větracích otvorů, aby se snížilo riziko hromadění oxidu uhelnatého a jeho potenciální pronikání do obytných prostor.
- Nainstalujte baterii napájené detektory oxidu uhelnatého nebo elektrické detektory oxidu uhelnatého se záložním napájením z baterie podle pokynů výrobce. Detektory kouře nedokážou oxid uhelnatý odhalit.
- Nepoužívejte tento výrobek v domech, garážích, sklepech, chodbách, kúlnách nebo ostatních částečně uzavřených prostorech, a to ani tehdy, používáte-li ventilátory nebo máte otevřené dveře a okna za účelem větrání. Oxid uhelnatý se na těchto místech může snadno hromadit a může zde zůstat celou hodinu, a to i tehdy, když byl produkt již vypnut.
- Vždy umísťte tento produkt po větru a natočte jej tak, aby jeho výfuk směřoval mimo obytné prostory.

POZNÁMKA: Tento motor byl odeslán společností Briggs & Stratton bez oleje. Než motor nastartujete, ještě jednou zkontrolujte, zda jste doplnili olej podle pokynů uvedených v této příručce. Jestliže nastartujete motor bez oleje, poškodí se tak, že už nepůjde opravit a nebude kryt žádnou zárukou.

Poznámka: Některá zařízení jsou vybavena dálkovým ovládním. Popis umístění a funkce tohoto dálkového ovládní najdete v příručce k zařízení.

1. Zkontrolujte olej v motoru. Viz pokyny v sekci **Postup kontroly/přidání oleje**.
2. Zkontrolujte, zda jsou ovládací prvky pohonu (pokud je jimi zařízení vybaveno) vypnuty.
3. Posuňte ovládní škrticí klapky (A, obrázek 5), je-li jí motor vybaven, do polohy fast  . Zařízení používejte v poloze fast  .

4. Když poprvé spouštíte nový motor, pětkrát za sebou silně stiskněte červený balónek nastřikovače (B). Při všech dalších spuštěních stačí stisknout balónek nastřikovače pouze třikrát (obrázek 5).

Poznámka: Pokud v motoru dojde palivo nebo pokud byl skladován delší dobu, bude možná nutné stisknout balónek nastřikovače 5x.

Poznámka: Nasávání paliva není obvykle potřeba při opakovaném startu teplého motoru.

Poznámka: Pokud stisknete balónek nastřikovače zbytečně vícekrát, dojde k zaplavení karburátoru nadměrným množstvím paliva a motor bude obtížně startovat.

5. Je-li produkt vybaven pákou pro zastavení motoru (C), podržte páku pro zastavení motoru proti rukojeti (viz obrázek 6).
6. Pevně uchopte rukojeť lanka spouštěče (D). Táhněte za lanko spouštěče nejprve pomalu, dokud neucítíte odpor. Pak zatáhněte prudce (obrázek 5).


Poznámka: Pokud motor ani po třech opakovaných pokusech nenastartuje, opakujte kroky 4, 5 a 6. Pokud ani poté nenastartuje, navštivte stránku **BRIGGSandSTRATTON.COM** nebo zavolejte na telefonní číslo **1-800-233-3723** (v USA).



VAROVÁNÍ: Rychlé zatažení (zpětné "kopnutí") lanka spouštěče přitáhne ruku a paži k motoru rychleji, než je stačí pustit. Je to nebezpečí zlomeniny, oděnění nebo natažení šlach. Při startování motoru táhněte za lanko spouštěče pomalu, dokud neucítíte odpor a pak rychle zatáhněte, abyste zabránili zpětnému kopnutí.

Jak zastavit motor – obrázek 6

Uvolněte páku pro zastavení motoru (E). Viz obrázek 6.

Motor s páčkou škrticí klapky: Posuňte ovládní škrticí klapky (A, obrázek 5) do polohy stop  .

Údržba

POZNÁMKA: Pokud chcete motor během údržby obrátit, musí být palivová nádrž prázdná a zapalovací svíčka musí směřovat nahoru. Není-li palivová nádrž prázdná nebo je-li motor obrácen jiným směrem, může dojít v důsledku znečištění vzduchového filtru a/nebo zapalovací svíčky olejem nebo benzinem k problémům při startování.



VAROVÁNÍ: Když provádíte údržbu, která vyžaduje překlopení zařízení, musí být palivová nádrž prázdná, jinak může palivo uniknout a způsobit požár nebo explozi.

Doporučujeme svěřit veškerý servis a údržbu motorů a jejich dílů některému autorizovanému prodejci značky Briggs & Stratton.

POZNÁMKA: Aby motor správně fungoval, musí všechny jeho součásti zůstat na svém místě.

Omezení emisí

Údržbu, výměnu nebo opravu zařízení a systémů řízení emisí může provádět jakékoli zařízení nebo osoba zabývající se opravami nesilničních motorů. Chcete-li však mít servis řízení emisí „zdarma“, musí práci provádět prodejce autorizovaný továrnou. Viz záruka dodržování emisních limitů.



VAROVÁNÍ



Neúmyslné jiskření může způsobit požár nebo úraz elektrickým proudem.



Neúmyslné spuštění motoru může způsobit zachycení, amputaci končetiny nebo tržné rány.



Riziko požáru

Před prováděním seřizování nebo oprav:

- Odpojte kabel od zapalovací svíčky a uložte jej dále od zapalovací svíčky.
- Odpojte kabel od záporného vývodu akumulátoru (jen pokud je motor vybaven elektrickým spouštěčem).
- Používejte pouze správné nástroje.
- Otáčky motoru se nesmí zvyšovat úpravami pružin regulátoru, táhel a ostatních dílů.
- Náhradní díly musí mít stejné provedení jako původní díly a musí být nainstalovány ve stejné poloze. Jiné díly nemusí poskytovat požadovaný výkon, mohou poškodit zařízení nebo způsobit zranění.
- Na setrvačnick netlučte kladivem nebo tvrdým předmětem, protože hrozí rozpad setrvačnicku při dalším provozu.

Při zkoušení svíčky:

- Použijte schválenou zkoušečku zapalovacích svíček
- Nezkoušejte jiskru zapalování při vyjmuté svíčke.

Tabulka údržby

Prvních 5 pracovních hodin
<ul style="list-style-type: none">Vyměňte olej
Každých 8 hodin provozu nebo denně
<ul style="list-style-type: none">Zkontrolujte stav oleje v motoruVyčistěte oblast kolem tlumiče výfuku a ovládacích prvků
Každých 25 hodin nebo jednou ročně
<ul style="list-style-type: none">Vyčistěte vzduchový filtr *
Každých 50 hodin nebo jednou za rok
<ul style="list-style-type: none">Vyměňte olej v motoruZkontrolujte tlumič výfuku a lapač jisker
Jednou ročně
<ul style="list-style-type: none">Vyměňte vzduchový filtr.Vyměňte zapalovací svíčkyVyčistěte vzduchový chladič systému *

* V prašném prostředí nebo v prostředí, kde se nečistoty roznášejí vzduchem, čistěte častěji.

Seřízení karburátoru a rychlosti motoru

Nikdy sami neseřizujte karburátor ani rychlost motoru. Karburátor je již z výroby seřízen tak, aby efektivně fungoval ve většině pracovních podmínek. Otáčky motoru se nesmí zvyšovat úpravami pružin regulátoru, táhel a ostatních dílů. Pokud je přece jen nutné seřízení provést, kontaktujte autorizované servisní středisko Briggs & Stratton.

POZNÁMKA: Výrobce zařízení, do kterého je motor osazen, uvádí maximální rychlost motoru vhodnou pro provoz daného zařízení. **Nepřekračujte** tuto rychlost. Pokud si nejste jisti, jaká je maximální rychlost zařízení nebo jaká rychlost motoru byla nastavena z výroby, požádejte o pomoc autorizované servisní středisko Briggs & Stratton. Aby zařízení bezpečně a správně fungovalo, měl by rychlost motoru vždy seřizovat pouze kvalifikovaný servisní technik.

Postup výměny zapalovací svíčky – obrázek 7

Zkontrolujte vzduchovou mezeru (A, obrázek 7) pomocí drátové měrky (B). Je-li to nutné, mezeru znovu nastavte. Nainstalujte zapalovací svíčku a dotáhněte ji na doporučený krouticí moment. Postup nastavení mezery nebo krouticí moment najdete v sekci **Specifikace**.

Poznámka: V některých státech místní předpisy vyžadují použití zapalovací svíčky s odporem pro potlačení rušení. Jestliže byl tento motor původně vybaven svíčkou s odporem, používejte k výměně svíček stejného typu.

Zkontrolujte tlumič výfuku a lapač jisker – obrázek 8



VAROVÁNÍ



Provozem motorů se vytváří teplo. Díly motoru, zejména tlumič výfuku, jsou za provozu extrémně horké.

Ve styku s nimi mohou vzniknout vážné popáleniny.



Hořlavý materiál, jako je listí, tráva, roští atd., může vzplanout.

- Před manipulací nechejte tlumič výfuku, válec a žebra motoru vychladnout.
- Odstraňujte hořlavé nečistoty, hromadící se v prostoru tlumiče a válce.
- Při použití zařízení na zalesněném, travnatém nebo křovím porostlém pozemku bez lapače jisker nainstalovaného ve výfukovém systému a udržovaného v řádném funkčním stavu porušujete ustanovení paragrafu 4442 Zákona o veřejných zdrojích státu Kalifornie. Jiné státy nebo federální jurisdikce mohou mít podobné zákony. Chcete-li zakoupit lapač jisker vhodný pro výfukový systém nainstalovaný na tomto motoru, kontaktujte výrobce původního zařízení, prodejce nebo dodavatele.

Odstraňujte hořlavé nečistoty, hromadící se v prostoru tlumiče a válce. Zkontrolujte, zda tlumič výfuku (A) nevykazuje praskliny, korozi nebo jiné poškození. Sejměte jiskrojem (B), je-li jím motor vybaven a zkontrolujte, zda není poškozen nebo zanesen uhlíkovými usazeninami. Pokud zjistíte poškození, před dalším spuštěním přístroje nainstalujte náhradní díly.



VAROVÁNÍ: Náhradní díly musí mít stejné provedení jako původní díly a musí být nainstalovány ve stejné poloze. Jiné díly nemusí poskytovat požadovaný výkon, mohou poškodit zařízení nebo způsobit zranění.

Postup výměny oleje – obrázek 2 3 9 10



VAROVÁNÍ

Palivo a jeho páry jsou vysoce hořlavé a výbušné.

Požár nebo výbuch může způsobit vážné popáleniny nebo i smrt

- Když vypouštíte olej z horního plnicího hrdla, musí být palivová nádrž prázdná, protože by v případě úniku paliva mohlo dojít k požáru nebo výbuchu.

Použitý olej je nebezpečný odpad a musí být likvidován správným způsobem. Použitý olej nepatří do domovního odpadu. Ohledně bezpečné likvidace/recyklace oleje se poraďte s místními úřady, servisním střediskem nebo prodejcem.

Odstraňte olej

Z horního plnicího hrdla musí být vypuštěn olej (E, obrázek 10).

- Vypněte motor a dokud je ještě teplý, odpojte kabel zapalovací svíčky (A) a uložte jej v bezpečné vzdálenosti od svíčky (obrázek 9).
- Vyjměte měrku hladiny oleje (G, obrázek 2).
- Když vypouštíte olej z horního plnicího hrdla (E), dbejte na to, aby strana motoru se zapalovací svíčkou směřovala (F) nahoru (obrázek 10). Vypusťte olej do schválené nádoby.



VAROVÁNÍ: Když vypouštíte olej z horního plnicího hrdla, musí být palivová nádrž prázdná, protože by v případě úniku paliva mohlo dojít k požáru nebo výbuchu. Chcete-li vyprázdnit palivovou nádrž, spusťte motor a nechte jej běžet, dokud se sám nezastaví v důsledku nedostatku paliva.

Doplnění oleje

- Motor dejte do vodorovné polohy.
 - Vyčistěte prostor pro doplňování oleje od nečistot.
 - Objem oleje naleznete v části **Specifikace**.
- Vyjměte měrku (G) a otřete ji čistým hadříkem (obrázek 2, obrázek 3).
 - Nalévejte olej pomalu do nalévacího otvoru motoru (H). **Nepřepĺnujte**. Po doplnění oleje počkejte jednu minutu a pak stav oleje znovu zkontrolujte.
 - Zasuňte měrku zpět a utáhněte ji.
 - Vyjměte měrku a zkontrolujte hladinu oleje. Měla by být v horní části indikátoru full (J) na měrce.
 - Zasuňte měrku zpět a utáhněte ji.

Provádění údržby vzduchového filtru – obrázek 11 12



VAROVÁNÍ



Palivo a jeho páry jsou vysoce hořlavé a výbušné.

Požár nebo výbuch může způsobit vážné popáleniny nebo i smrt.



- Nespouštějte ani neprovazujte motor s odmontovanou sestavou vzduchového filtru (je-li jím motor vybaven) nebo s vyjmutým vzduchovým filtrem (je-li jím motor vybaven).

POZNÁMKA: Nepoužívejte k čištění filtru stlačený vzduch nebo rozpouštědla. Stlačený vzduch může filtr poškodit a rozpouštědla jej rozpustit.

Znázorněny jsou dva typy vzduchových filtrů, a sice **standardní** a **vysokokapacitní**. Zjistěte, jaký typ se používá ve vašem motoru a proveďte servis dle následujících pokynů.

Standardní vzduchový filtr – obrázek 11

Standardní vzduchový filtr používá pěnovou vložku, kterou lze vyprat a znovu použít.

- Odstraňte šroub (A) z horní strany sestavy vzduchového filtru (B). Viz obrázek 11.
- Opatrně odstraňte sestavu vzduchového filtru, aby se do karburátoru nedostaly nečistoty.
- Odstraňte pěnovou vložku (C) ze základny vzduchového filtru.
- Vyperte pěnovou vložku v tekutém odmašťovacím prostředku a vodě. Vyždímejte pěnovou vložku dosucha po zabalení do čistého hadříku.
- Napustěte pěnovou vložku čistým motorovým olejem. Přebytný olej z pěnové vložky vymačkejte do čisté látky.
- Nainstalujte pěnovou vložku zpět do základny vzduchového filtru.
- Nainstalujte sestavu vzduchového filtru na karburátor a zajistěte ji šroubem.

Vzduchový filtr s vysokou kapacitou – obrázek 12

Vzduchový filtr s vysokou kapacitou používá skládaný filtr.

1. Odstraňte šroub (A) z horní strany sestavy vzduchového filtru (B). Viz obrázek 12.
2. Opatrně odstraňte sestavu vzduchového filtru, aby se do karburátoru nedostaly nečistoty.
3. Odstraňte skládaný filtr (C) ze základny vzduchového filtru.
4. Zlehka oklepejte skládaný filtr o tvrdou podložku, aby se z něj uvolnily nečistoty. Pokud je skládaný filtr příliš znečištěný, vyměňte jej za nový.
5. Nainstalujte skládaný filtr.
6. Nainstalujte sestavu vzduchového filtru na karburátor a zajistěte ji šroubem.

Postup čištění vzduchového chladicího systému – obrázek 13



VAROVÁNÍ



Provozem motorů se vytváří teplo. Díly motoru, zejména tlumič výfuku, jsou za provozu extrémně horké.

Ve styku s nimi mohou vzniknout vážné popáleniny.



Hořlavý materiál, jako je listí, tráva, roští atd., může vzplanout.

- Před manipulací nechte tlumič výfuku, válec a žebra motoru vychladnout.
- Odstraňujte hořlavé nečistoty, hromadící se v prostoru tlumiče a válce.

POZNÁMKA: Nepoužívejte k čištění motoru vodu. Mohla by kontaminovat palivovou soustavu. K čištění motoru použijte kartáč nebo suchý hadřík.

Toto je motor chlazený vzduchem. Špína nebo nečistoty mohou omezovat proudění vzduchu a způsobit přehřátí motoru, což povede ke špatnému výkonu a sníží životnost motoru.

Pomocí kartáče nebo suchého hadříku odstraňte nečistoty z chrániče prstů (A). Udržujte táhla, pružiny a ovládací prvky (B) čisté. Odstraňujte z okolí tlumiče výfuku (C) hořlavé nečistoty (obrázek 13).

Skladování



VAROVÁNÍ



Palivo a jeho páry jsou vysoce hořlavé a výbušné.

Požár nebo výbuch může způsobit vážné popáleniny nebo i smrt

Při skladování paliva nebo zařízení s palivem v nádrži

- Uložte odděleně od pecí, kamen, ohříváčů vody či jiných zařízení, která mají věčný plamínek nebo od jiných zdrojů zapálení. Mohou zažehnout výpary z paliva.

Palivová soustava

Palivo může při skladování delším než 30 dnů zvětrat. Zvětralé palivo způsobuje tvorbu usazenin kyseliny a gumovitých usazenin v palivové soustavě nebo na základních dílech karburátoru. Chcete-li udržet palivo čerstvé, použijte přípravek pro úpravu a stabilizaci paliva se zdokonaleným složením **Advanced Formula Fuel Treatment & Stabilizer společnosti Briggs & Stratton**, který je k dispozici všude tam, kde se prodávají originální náhradní díly zn. Briggs & Stratton.

U motorů vybavených uzávěrem palivové nádrže FRESH START®, použijte přípravek **FRESH START® společnosti Briggs & Stratton**, který je k dispozici jako koncentrát v kapacím zásobníku.

Používáte-li stabilizátor paliva podle pokynů, není potřeba vypouštět benzín z motoru. Před skladováním nechte motor běžet 2 minuty, aby se stabilizátor rozptýlil po celém palivové soustavě.

Pokud nebyl do benzínu přidán stabilizátor paliva, musí být vypuštěn do schváleného kanistru. Nechte motor běžet, dokud se veškerý zbylý benzín nespoteřebuje. Doporučuje se použít stabilizátor paliva i do kanistru, ve kterém bude uskladněn, aby nedošlo k jeho zvětrání.

Motorový olej

Olej vyměňujte, dokud je motor ještě teplý.

POZNÁMKA: Skladujte motor ve vodorovné poloze (normální provozní poloha). Pokud chcete motor za účelem skladování obrátit, musí být palivová nádrž **prázdna** a zapalovací svíčka musí směřovat **nahoru**. Není-li palivová nádrž prázdná nebo je-li motor obrácen jiným směrem, může dojít v důsledku znečištění vzduchového filtru a/nebo zapalovací svíčky olejem nebo benzinem k problémům při startování.

Vyhledávání a odstraňování závad

Potřebujete pomoc? Jděte na stranu **BRIGGSandSTRATTON.COM** nebo zavolejte na telefonní číslo **1-800-233-3723** (v USA).

Specifikace

Specifikace motorů

Model	90000
Zdvihový objem	148 ccm
Vrtání	65,08 mm
Zdvih	44,45 mm
Objem oleje	0,54 – 0,59 l

Specifikace motorů

Model	100000
Zdvihový objem	158 ccm
Vrtání	65,08 mm
Zdvih	47,65 mm
Objem oleje	0,54 – 0,59 l

Specifikace seřízení *

Model	90000, 100000
Vzduchová mezera zapalovací svíčky	0,76 mm
Utahovací moment zapalovací svíčky	20 Nm
Vzduchová mezera zapalovací cívky	0,15 - 0,25 mm
Vůle sacího ventilu	0,13 - 0,18 mm
Vůle výfukového ventilu	0,18 - 0,23 mm

* Výkon motoru klesá o 3,5 % na každých 300 metrů (1 000 stop) nadmořské výšky a o 1 % na každých 5,6° C (10° F) nad 25° C (77° F). Motor funguje normálně při náklonu do 15°. Maximální dovolené provozní limity pro svahy najdete v návodu k obsluze zařízení.

Běžné servisní díly ✓

Servisní díl	Číslo dílu
Standardní vzduchový filtr	698369
Vzduchový filtr s vysokou kapacitou	797819
Olej – SAE 30	100005
Aditiva do benzínu	5041, 5058
Zapalovací svíčka s odrušením	796112
Platinová zapalovací svíčka s dlouhou životností	5062
Klíč na zapalovací svíčku	89838, 5023
Zkoušečka zapalování	19368

✓ Doporučujeme svěřit veškerý servis a údržbu motorů a jejich dílů autorizovanému prodejci značky Briggs & Stratton.

OMEZENÁ ZÁRUKA

Společnost Briggs & Stratton zaručuje, že během níže uvedené záruční doby bezplatně opraví nebo vymění jakýkoli díl nebo díly s vadou materiálu nebo dílenského zpracování, případně obojího. Náklady na dopravu produktu k opravě nebo výměně podle této záruky nese kupující. Tato záruka platí na dobu a za podmínek zde stanovených. Záruční servis si objednejte u nejbližšího autorizovaného servisu, který naleznete na mapě vyhledávače autorizovaných servisů na adrese BRIGGSandSTRATTON.COM. Kupující musí kontaktovat autorizovaný servis, a poté předat produkt autorizovanému servisu ke kontrole a k testování.

Neexistuje žádná další výslovná záruka. Předpokládané záruky, včetně např. záruk prodejnosti a vhodnosti pro konkrétní účel, jsou omezeny na dobu jednoho roku od zakoupení nebo v jiném rozsahu povoleném zákonem. Všechny nespecifikované předpokládané záruky jsou vyloučeny. Odpovědnost za náhodné nebo následné škody je vyloučena v maximálním rozsahu povoleném zákonem. Některé státy nebo země nedovolují omezení délky předpokládané záruky a některé státy nebo země nedovolují vyloučení nebo omezení náhodných nebo následných škod, takže se vás výše uvedená vyloučení a omezení nemusí týkat. Tato záruka vám dává specifická práva, můžete však mít i jiná práva, která se liší v jednotlivých státech a zemích**.

STANDARDNÍ ZÁRUČNÍ PODMÍNKY * ▲

Značka/Typ produktu	Spotřebitelské použití	Komerční použití
Vanguard™ ■	3 roky	3 roky
Commercial Turf Series™	2 roky	2 roky
Extended Life Series™ ; I/C®; Intek™ I/C®; Intek™ Pro;™ Professional Series™ s litinovou vložkou Dura-Bore™ ; 850 Series™ s litinovou vložkou Dura-Bore™ ; Snow Series MAX™ s litinovou vložkou Dura-Bore™ Všechny ostatní motory Briggs & Stratton Engines vybavené litinovou vložkou Dura-Bore™	2 roky	1 rok
Všechny ostatní motory Briggs & Stratton	2 roky	90 dní

* Toto jsou naše standardní podmínky záruky, ta však může být v některých případech rozšířena, aniž by nám to bylo v době vydání tohoto dokumentu známo. Informace o aktuálních záručních podmínkách pro váš motor najdete na webu BRIGGSandSTRATTON.COM nebo kontaktujte autorizovaný servis Briggs & Stratton.

** Pro Austrálii – naše zboží je dodáváno se zárukami, které nelze podle australského zákona o ochraně spotřebitele vyloučit. Máte nárok na výměnu nebo vrácení peněz v případě větší poruchy a na náhradu všech ostatních ztrát nebo škod, které se daly rozumně předvídat. Máte rovněž nárok na opravu nebo výměnu zboží, pokud toto zboží nemá přijatelnou kvalitu a pokud porucha neodpovídá definici větší poruchy. Záruční opravy si objednejte u nejbližšího autorizovaného servisu, který naleznete na mapě vyhledávače autorizovaných servisů na adrese BRIGGSandSTRATTON.COM, na telefonním čísle 1300 274 447, případně prostřednictvím e-mailové nebo poštovní adresy salesenquiries@briggsandstratton.com.au, Briggs & Stratton Australia Pty Ltd, 1 Moorebank Avenue, Moorebank, NSW, Australia, 2170.

▲ Použití v domácích záložních generátorech: 2 roky záruka pouze pro spotřebitelské používání. Záruka pro komerční používání se neposkytuje. Tato záruka neplatí pro motory používané v zařízeních sloužících k napájení elektrorozvodné sítě. **Na motory, používané při sportovních závodech nebo na komerčních či nájemních dráhách, se žádná záruka neposkytuje.**

■ Motory Vanguard nainstalované na záložních generátorech: 2 roky záruka pro spotřebitelské používání, žádná záruka pro komerční používání. Motory Vanguard nainstalované v užitkových automobilech: 2 roky záruka pro spotřebitelské používání, 2 roky záruka pro komerční používání. 3válcový motor Vanguard chlazený kapalinou: viz Podmínky záruky pro vlastníky 3válcových kapalinou chlazených motorů Briggs & Stratton.

Záruční lhůta začíná v den zakoupení prvním maloobchodním spotřebitelem nebo komerčním koncovým uživatelem a trvá po dobu, uvedenou v horní tabulce. "Spotřebitelským používáním" se rozumí osobní používání maloobchodním spotřebitelem v jeho domácnosti. "Komerčním použitím" se rozumí všechny ostatní druhy použití, včetně použití komerčního, výdělečného a v půjčovnách. Jakmile byl jeden motor použit pro komerční účely, musí být pro účely této záruky nadále považován za motor pro komerční použití.

K obdržení záruky na výrobky Briggs & Stratton není nutná registrace záruky. Uchovejte si účtenku jako důkaz o zakoupení. Jestliže při žádosti o záruční servis nepředložíte důkaz o dni prvního zakoupení, pro určení záruční lhůty bude použito datum výroby výrobku.

O naší záruce

Společnost Briggs & Stratton ochotně zajistí záruční opravy a omlouvá se za způsobené nepříjemnosti. Záruční opravy provádějí všichni autorizovaní prodejci. Většina záručních oprav je rutinní záležitostí, ale někdy mohou být požadavky na záruční servis nepřiměřené. Aby se předešlo nedorozumění, ke kterému může dojít mezi zákazníkem a dealerem, níže jsou uvedeny některé příčiny selhání motoru, na které se záruka nevztahuje.

Normální opotřebení: Motory, stejně jako všechna mechanická zařízení, potřebují ke správné funkci pravidelnou výměnu dílů a další údržbu. Tato záruka se nevztahuje na opravy v důsledku ukončení životnosti konkrétního dílu nebo celého produktu při normálním používání. Záruka se nevztahuje na závady způsobené neodborným zacházením, nedostatečnou běžnou údržbou, přepravou, manipulací, skladováním nebo nesprávnou montáží. Záruku nelze uplatnit ani v případě, kdy bylo z motoru odstraněno výrobní číslo nebo byl jakkoliv upravován či měněn.

Nesprávná údržba: Životnost motoru závisí na podmínkách, v nichž se provozuje, a na péči, která se mu věnuje. Některá zařízení (například kultivátory, čerpadla a rotační sekačky) jsou často provozována v prašném nebo znečištěném prostředí, což může způsobit předčasné opotřebení. Pokud bylo toto opotřebení způsobeno vniknutím prachu, nečistot, pisku z čištění svíček nebo jiného abrazivního materiálu do motoru v důsledku nesprávné údržby, nevztahuje se na něj záruka.

Tato záruka se vztahuje pouze na vady materiálu a/nebo dílenského zpracování motoru. Nežádejte proto výměnu nebo zaplacení zařízení, na němž může být motor namontován. Záruka se nevztahuje ani na opravy nutné v důsledku:

- 1 **Problémy způsobené použitím jiných než originálních dílů Briggs & Stratton.**
- 2 Ovládací prvky nebo zařízení, která brání spouštění motoru, mají za následek snížení výkonu motoru a zkracují jeho životnost (Spojte se s výrobcem zařízení.)
- 3 Netěsné karburátory, ucpané palivové trubky, váznuocí ventily nebo jiná poškození, způsobená používáním znečištěného nebo starého paliva.

- 4 Díly, které jsou vydržené nebo zlomené z toho důvodu, že byl motor provozován s nedostatečným množstvím oleje, znečištěným olejem, nebo olejem nesprávné jakosti (hladinu oleje kontrolujte a doplňujte dle potřeby a olej vyměňujte v doporučených intervalech). Zařízení OIL GARD nemusí běžící motor zastavit. Nedodrží-li se správná hladina oleje, motor se může poškodit.
- 5 Oprava nebo seřízení souvisejících součástí nebo sestav, např. spojky, převodů, dálkového ovládání apod., které nebyly vyrobeny firmou Briggs & Stratton.
- 6 Poškození nebo opotřebení součástí způsobené nečistotami, které se dostaly do motoru z důvodů nesprávné údržby či zpětnou montáží čističe vzduchu, používáním jiného než originálního čističe, či filtrační vložky. V doporučených intervalech čistěte nebo měňte filtrační vložku, jak je uvedeno v Návodu k obsluze a údržbě.
- 7 Součásti poškozené přetočením nebo přehřátím, způsobeným zanesením či ucpáním chladicích žebor nebo prostoru setrvačnicku trávou, úlomky a špinou, nebo provozem motoru v uzavřeném nevětraném prostoru. Motor čistěte v předepsaných intervalech, jak je uvedeno v Návodu k obsluze a údržbě.
- 8 Poškození motoru nebo jeho součástí nadměrnými vibracemi způsobenými volným připevněním motoru, uvolněnými noži sekačky, uvolněnými nebo nevyváženými oběžnými koly, nesprávným upevněním zařízení k hřídeli motoru, nadměrnými otáčkami nebo jiným nesprávným provozem.
- 9 Ohnutý nebo zlomený klikový hřídel po nárazu nože rotační sekačky na pevný předmět nebo pro nadměrné napětí klínových řemenů.
- 10 Běžné vyladění nebo seřízení motoru.
- 11 Poškození motoru nebo některé jeho součásti, např. spalovací komory, ventilů, ventilových sedel, vedení ventilů, nebo spálení vinutí startéru používáním nesprávného paliva - zkapalněného plynu, zemního plynu, benzínu s více než 10% podílem etanolu apod.

Záruční servis je dostupný výhradně prostřednictvím autorizovaných servisních středisek Briggs & Stratton. Své nejbližší autorizované servisní středisko můžete najít na mapě dealerů na stránce BRIGGSandSTRATTON.COM nebo prostřednictvím telefonního čísla 1-800-233-3723 (v USA).

Üldinfo

See kasutusjuhend sisaldab ohutuslasi infot, et teadvustada Teid mootoritega seotud ohtudest ja riskidest ning nende vältimise võimalustest. Lisaks sisaldab see juhiseid mootori õige kasutamise ja hooldamise kohta. Kuna Briggs & Stratton Corporation ei pruugi teada, millist seadet see mootor käitab, on oluline, et te loeksite ja mõistaksite siinseid ja käitatava seadme kohta käivaid juhiseid. **Hoidke need juhised tulevikus kasutamiseks alles.**

Varuosade tellimisel ja tehnilise abi saamiseks pange allpool kirja mootori mudel, tüüp ja koodid koos ostukuupäevaga. Nende numbrite asukohti vaadake mootorilt (vt lk **Omadused ja juhtseadised**).

Ostukuupäev: _____
PP/KK/AAAA

Mootori mudel: _____
Mudel: Tüüp: Kood:

Võimsus: Bensiinimootorite brutovõimsust märgitakse vastavalt SAE (Society of Automotive Engineers) koodile J1940 (väikemootorite võimsuse ja jõumomendi määramise protseduur) ning vastav jõudlus on saavutatud ja korrigeeritud standardi SAE J1995 järgi. Pöörlemomendi väärtused on mõõdetud pööratel 2600 p/min mootorite puhul, mille pöörlemisagedus on andmesildil kirjas, ja 3060 p/min teiste mootorite puhul; hobujõudude väärtused on mõõdetud pööratel 3600 p/min. Brutovõimsuse kõveraid saab näha veebilehel www.BRIGGSandSTRATTON.COM. Netovõimsuse väärtused on saadud koos heitgaasi- ja õhupuhastiga, brutojõumoment aga ilma nimetatud seadisteta. Tegelik brutojõumoment on kõrgem ning sõltub muu hulgas keskkonnatingimustest ja mootorite individuaalsetest erinevustest. Arvestades laia tootevalikut, millele mootoreid on paigaldatud, ei saavuta bensiinimootor antud brutojõumomenti konkreetsetes seadmes. See erinevus tuleneb mitmest tegurist, k.a mootori osad (õhupuhasti, väljalasketoru, laadimine, jahutus, karburaator, kütusepump jne), kasutuspiirangud, keskkonnatingimused (temperatuur, niiskus, kõrgus) ning mootorite individuaalsed erinevused. Tootmis- ja mahupiirangute tõttu võib Briggs & Stratton asendada kõrgema nimivõimsusega mootori selle seeria mootoriga.

Kasutaja ohutus

OHUTUS- JA JUHTSÜMBOLID



Ohusümbolit kasutatakse, et tähistada teavet nendest ohtude kohta, mis võivad põhjustada inimestele vigastusi. Koos ohusümboliga kasutatakse hoiatussõna (OHTLIK, HOIATUS või ETTEVAATUST) vigastuse tõenäosuse ja potentsiaalse raskusastme tähistamiseks. Lisaks võib ohusümbolit kasutada ohu tüübi kirjeldamiseks.

OHTLIK tähistab ohtu, mis juhul, kui seda ei väldita, **toob kaasa surma või raske kehavigastuse.**

HOIATUS tähistab ohtu, mis juhul, kui seda ei väldita, **võib kaasa tuua surma või raske kehavigastuse.**

ETTEVAATUST tähistab ohtu, mis juhul, kui seda ei väldita, **võib kaasa tuua kerge või keskmise kehavigastuse.**

MÄRKUS tähistab olukorda, kus seade võib saada kahjustada.

HOIATUS
Selle toote teatud osad ja tarvikud sisaldavad kemikaale, mis võivad põhjustada vähki, sünnidefekte või muid pärilikke haigusi. Pärast nimetatud seadmete käsitlemist peske käsi.

HOIATUS
Selle mootori heitgaasid sisaldavad keemilisi aineid, mis California osariigi andmeil põhjustavad vähki, sünnidefekte või kahjustavad muul viisil paljunemisvõimet.

HOIATUS
Briggs & Strattoni mootorid ei ole välja töötatud ega mõeldud järgmiste seadmete käitamiseks: kartautod; hobikardid; lastele, hobiks või spordiks mõeldud maastikukulgid (ATVd); mootorrattad; hõljukid; lennumasinad või Briggs & Strattoni loata võistlustes kasutatavad sõidukid. Teavet võidusõiduseadmete kohta leiata veebilehelt www.briggsracing.com. Tarbe- või kahekojalistes maastikukulgurites kasutamiseks pöörduge Briggs & Strattoni mootorite rakenduskeskusse, 1-866-927-3349. Mootori väärkasutus võib põhjustada tõsiseid kehavigastusi või surma.

MÄRKUS: Antud Briggs & Strattoni mootor on tarnitud ilma õlita. Enne mootori käivitamist lisage kindlasti õli vastavalt käesoleva juhendi ettekirjutustele. Kui käivitate mootori ilma õlita, tekitab see parandamatuid kahjustusi ja muudab garantii kehtetuks.



HOIATUS



Bensiin ja selle aurud on väga tule- ja plahvatusohtlikud.
Süttimine või plahvatus võib põhjustada raskeid põletushaavu või surma.

Kütuse lisamisel

- Lülitage mootor välja ja laske sel enne kütusepaagi korgi eemaldamist vähemalt 2 minuti jooksul jahtuda.
- Täitke kütusepaaki õues või hästiventileeritud ruumides.
- Ärge täitke kütusepaaki üle. Paisumisruumi jätmiseks ärge täitke üle kütusepaagi kaela.
- Hoidke kütust sädemete, lahtiste leekide, gaasiseadmete süüteleekide, kuumuse ning muude süüteallikate eest.
- Kontrollige regulaarselt, et kütusetorudes, paagis, korgis ja liitmikes ei oleks pragusid ega lekkeid. Vajadusel asendage defektne osa uuega.
- Kütuse mahavoolamise korral oodake enne mootori käivitamist kütuse aurustumiseni.

Mootori käivitamisel

- Veenduge, et süüteküünal, summuti, kütusepaagi kork ja õhufilter (selle olemasolul) on oma kohal ja kinnitatud.
- Ärge käituge eemaldatud süüteküünlaga mootorit.
- Kui mootor on bensiini täis, seadke õhuklapp (kui see on olemas) asendisse AVATUD/TÖÖ, seguklapp kiire töö asendisse ja käivitage, kuni mootor tööle hakkab.

Seadme kasutamisel

- Ärge kallutage mootorit või seadet asendisse, milles kütus võib välja voolata.
- Ärge sulgege mootori seiskamiseks karburaatorit.
- Ärge käivitage mootorit, kui õhupuhasti või õhufilter (nende olemasolul) on eemaldatud.

Õli vahetamine

- Kui lasete õli välja ülemise õlitäitetoru kaudu, peab kütusepaak olema tühi, vastasel korral võib kütus välja voolata ja põhjustada tulekahju või plahvatus.

Seadme hooldusotstarbeks kallutamine

- Kui seadme hooldamine nõuab selle kallutamist, peab kütusepaak olema tühi, vastasel korral võib kütus välja voolata ja põhjustada tulekahju või plahvatus.

Seadme transportimisel

- Transportige seadet TÜHJA kütusepaagiga või suletud asendis (OFF) kütusekraaniga.

Kütuse või paagis oleva kütusega seadmete hoiustamisel

- Ärge hoidke seadet kamina, ahju, veeboileri või muude süüteleegiga seadmete või süttimisallikate läheduses, sest need võivad süüdata kütuseaurud.



HOIATUS



Mootori käivitamisel tekivad sädemed.
Sädemed võivad põhjustada läheduses olevate tuleohtlike gaaside süttimise.
Selle tulemuseks võib olla plahvatus või tulekahju.

- Kui ümbruskonnas on aset leidnud maa- või vedelgaasile, ärge mootorit käivitage.
- Ärge kasutage surve all olevaid käivitusvedelikke, sest nende aurud on tuleohtlikud.



HOIATUS



MÜRKGAASID OHT. Mootori heitgaasid sisaldavad süsinikmonoksiidi, mis on mürgine ja võib tappa minutitega. Seda EI SAA näha, haista ega maitsta. Isegi heitgaaside lõhna mitte tundes võib süsinikmonoksiid teile mõju avaldada. Kui teid tabab toodet kasutades halb enesetunne, iiveldus või nõrkus, lülitage see välja ja minge KOHE värske õhu kätte. Pöörduge arsti poole. Teil võib olla vingugaasimürgitus.

- Kasutage toodet AINULT välitingimustes, akendest, udest ja õhutusavadest eemal, et vältida vingugaasi kogunemist ja sattumist siseruumidesse.
- Paigaldage patareiga või pistikuga toimivad patareilisatoitel vingugaasialarmid vastavalt tootja soovitudele. Suitsualarm ei suuda vingugaasi tuvastada.
- ÄRGE kasutage toodet majas, garaazhis, keldris, tunnelis, kuuris ega mujal osaliselt suletud ruumis isegi ventilaatorite toel või õhutamiseks uksi-aknaid avades. Vingugaas koguneb ruumides kiiresti ja võib seal püsida tunde ka pärast mootori seiskamist.
- Asetage toode ALATI allatult ja suunake heitgaasid inimestest eemale.



HOIATUS



Käivitustrossi sissetõmbumisel liiguvad käsi ja käsivars mootori poole nii kiiresti, et te ei jõua sellest lahti lasta.
Tagajärjeks võivad olla luumurrud, luumõrad, marrastused või nikastused.

- Mootorit käivitades tõmmake trossi aeglaselt, kuni tunnete takistust; seejärel tõmmake kiiresti, et vältida tagasilööki.
- Enne mootori käivitamist eemaldage seadme/mootori välised koormused.
- Seadme külge kinnituvad osad, sealhulgas, kuid mitte ainult, terad, tiivikud, rihmarattad, ketirattad jms peavad olema kindlalt kinnitatud.



HOIATUS



Pöörlevad osad võivad puutuda või vahele tõmmata käsi, jalgu, juukseid, rõivaid või muid esemeid.

Tagajärjeks võib olla kehaosade küljestrebimine või vigastus.

- Kasutage ainult seadmeid, mille kaitsed on oma kohal.
- Hoidke käed ja jalad pöörlevatest osadest eemal.
- Siduge pikad juuksed kinni ning eemaldage ehted.
- Ärge kandke avaraid rõivaid, rippuvaid kinnituspaelu ega muid esemeid, mis võivad seadmesse takerduda.



HOIATUS



Töötavast mootorist eraldub soojust. Mootori osad, eelkõige summuti, võivad olla väga kuumad.

Nende puudutamine võib kaasa tuua raskeid põletushaavu.



Põlevad jäägid, näiteks puulehed, rohulibled, kõrred jms võivad süttida.

- Laske summutil, mootorisilindril ja ribidel enne puudutamist jahtuda.
- Eemaldage summuti ja silindri piirkonnast sinna kogunenud praht.
- Mootori kasutamine metsa, kulu või muruga kaetud hooldamata alal on mootori kasutamine vastuolus Kalifornia riigivarade seadustiku artikliga 4442, kui väljalaskesüsteem pole varustatud töökorras sädemepüüdjaga, nagu sätestab artikkel 4442. Muudes osariikides või riikides võivad kehtida sarnased seadused. Mootorile paigaldatud väljalaskesüsteemile mõeldud sädemepüüdja saamiseks pöörduge seadme tootja, edasimüüja või müügiesinduse poole.



HOIATUS



Juhuslik säde võib põhjustada põlengu või elektrišoki.

Juhuslik käivitamine võib kaasa tuua jäsemete vahelejäämise, küljestrebimise või vigastuse.



Tuleoht



Enne seadistamist või parandamist:

- Ühendage lahti süüteküünla juhe ja hoidke seda süüteküünlast eemal.
- Ühendage lahti aku miinusklapp (ainult elektrikäivitiga mootorite puhul).
- Kasutage ainult õigeid tööriistu.
- Ärge püüdke gaasihoova vedru, ühenduslüli või mõne muu detaili kallal nokitsemisega suurendada mootori pöördeid.
- Varuosad peavad olema sama kujuga ja paigaldatud samas asendis kui originaaldetailid. Muud varuosad ei pruugi niisama hästi toimida ning võivad kahjustada seadet ja põhjustada vigastusi.
- Ärge lööge hooratast haamri või muu kõva esemega, sest see võib põhjustada hooratta hilisema purunemise töö käigus.

Sädeme kontrollimisel:

- Kasutage heakskiidetud süüteküünlastest.
- Ärge kontrollige sädet, kui süüteküünal on eemaldatud.

Omadused ja juhtseadised

Võrrele joonist **1** oma mootoriga, et õppida tundma erinevate osade ja juhtseadiste paigutust.

- A. Mootori tuvastamine
Mudel Tüüp Kood
- B. Süüteküünlal
- C. Kütuse-eelpump
- D. Kütusepaak ja kork
- E. Õhufilter
- F. Starteri nõõri käepide
- G. Mõõtevarras
- H. Summuti
Summuti kate (kui on olemas)
Sädemepüüdja (kui on olemas)
- I. Seguklapi hoob (kui on olemas)

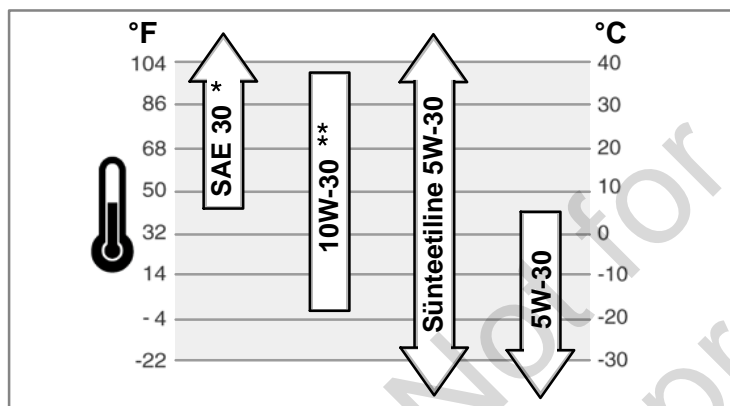
Kasutamine

Õli maht (vt peatükki **Tehnilised andmed**)

Soovitused õli kohta

Parima tulemuse saamiseks soovitate kasutada Briggsi & Strattoni sertifikaadiga õli. Lubatud on ka muud kvaliteetsed pesuõlid klassifikatsiooniga SF, SG, SH, SJ või kõrgemad. Ärge kasutage erilisi lisandeid.

Välis temperatuurist sõltub mootoriõli õige viskoossus. Kasutage kaarti, et valida eeldatavale välis temperatuurile õige viskoossus.



* SAE 30 kasutamine alla 4°C juures tingib raskelt käivitumist.

** Kõrgemal temperatuuril kui 27°C võib 10W-30 kasutamine põhjustada suurenenud õlitarbimist. Kontrollige sagedamini õlitaset.

Kuidas kontrollida/lisada õli - joonis **2** **3**

Enne õli lisamist või kontrollimist

- Seadke mootor horisontaalseks
 - Puhastage õlitäiteava ümbrus prahist.
1. Eemaldage õlivarras (G) ja pühkige seda puhta lapiga (joonis 2, joonis 3).
 2. Sisestage õlivarras ja keerake kinni.
 3. Eemaldage õlivarras ja kontrollige õlitaset. Õli peaks ulatuma õlivardal oleva märke FULL (J) ülemise otsani.
 4. Kui õli on vähe, kallake õli aeglaselt mootori õlitäiteavasse (H). **Ärge kallake liiga palju.** Pärast õli lisamist oodake üks minut ja kontrollige siis õlitaset.
 5. Asetage õlivarras oma kohale ja keerake kinni.

Madala õlitaseme kaitsesüsteem (sõltuvalt varustusest)

Mõned mootorid on varustatud madala õlitaseme anduriga. Kui õlitase on madal, lülitab andur sisse hoiatustule või seiskab mootori. Seisake mootor ja toimige selle taaskäivitamiseks alljärgnevalt.

- Veenduge, et mootor on tasakaalus.
- Kontrollige õlitaset. Vt peatükki **Kuidas kontrollida/lisada õli.**
- Kui õlitase on madal, lisage vajalik kogus õli. Käivitage mootor ja veenduge, et hoiatustuli (sõltuvalt varustusest) ei süüti.
- Kui õlitase ei ole madal, **ärge käivitage** mootorit. Pöörduge Briggs & Strattoni volitatud esindusse, et õlirõhu probleem lahendada.

Kütusega seotud soovitus

Kütus peab vastama järgmistele nõuetele:

- Puhas, värske, pliivaba bensiin.
- Minimaalne oktaanarv 87/87 AKI (91 RON). Suurtel kõrgustel kasutamise korral vt allpool.
- Lubatud on kasutada kuni 10%-lise etanoolisisaldusega bensiini (bensini ja alkoholi segu).

ETTEVAATUST: Ärge kasutage heakskiiduta bensiine, nagu nt E15 ja E85. Ärge segage bensiini õliga ega muutke mootorit alternatiivsete kütustega töötamiseks. Heaks kiitmata kütuste kasutamine kahjustab mootori osi ja **tühistab mootori garantii.**

Kütusesüsteemi kaitsmiseks vaigu sadestumise eest segage kütusesse stabilisaatorit. Vt **Säilitamine.** Kõik kütused pole sarnased. Kui esineb probleeme käivitumisel või mootori töös, vahetage tarnijat või kütusemarki. See mootor on ette nähtud töötama bensiiniga. Heitmete kontrolli süsteem on EM (Engine Modifications).

Suured kõrgused

Kõrgusel üle 1524 meetri tuleb kasutada bensiini, mille oktaanarv on vähemalt 85/85 AKI (89 RON). Heitmenõuete täitmiseks tuleb mootor seadistada tööks suurel kõrgusel. Mootori kasutamine ilma sellise seadistamiseta põhjustab väiksemat jõudlust ning suuremat kütusetarvet ja emissiooni. Teavet suure kõrguse jaoks seadistamise kohta saate Briggs & Strattoni volitatud edasimüüjalt.

Mootori kasutamine kõrgustel alla 762 meetri suurte kõrguste varustusega ei ole soovitatav.

Kuidas lisada kütust - joonis **4**



HOIATUS



Bensiin ja selle aurud on väga tule- ja plahvatusohtlikud.



Süttimine või plahvatus võib põhjustada raskeid põletushaavu või surma.

Kütuse lisamisel

- Lülitage mootor välja ja laske sel enne kütusepaagi korki eemaldamist vähemalt 2 minuti jooksul jahtuda.
- Täitke kütusepaaki õues või hästiventileeritud ruumides.
- Ärge täitke kütusepaaki üle. Paisumisruumi jätmiseks ärge täitke üle kütusepaagi kaela.
- Hoidke kütust sädemete, lahtiste leekide, gaasiseadmete süütleekide, kuumuse ning muude süütleekide eest.
- Kontrollige regulaarselt, et kütusetorudes, paagis, korgis ja liitmikes ei oleks pragusid ega lekkeid. Vajadusel asendage defektne osa uuega.
- Kütuse mahavoolamise korral oodake enne mootori käivitamist kütuse aurustumiseni.

1. Puhastage kütusepaagi korki ümbrus mustusest ja prügist. Eemaldage kork (A, joonis 4).
2. Täitke kütusepaak (B) kütusega. Jätke kütuse paisumisruumi, ärge täitke kütusepaagi kaela (C).
3. Asetage kütusepaagi kork tagasi.

Kuidas mootorit käivitada - joonis **5** **6**



HOIATUS



Käivitustrossi sissetõmbumisel liiguvad käsi ja käsivars mootori poole nii kiiresti, et te ei jõua sellest lahti lasta.

Tagajärjeks võivad olla luumurrud, luumõrad, marrastused või nikastused.

- Mootorit käivitades tõmmake trossi aeglaselt, kuni tunnete takistust; seejärel tõmmake kiiresti, et vältida tagasilööki.



HOIATUS



Bensiin ja selle aurud on väga tule- ja plahvatusohtlikud.



Süttimine või plahvatus võib põhjustada raskeid põletushaavu või surma.

Mootori käivitamisel

- Veenduge, et süüteküünlal, summuti, kütusepaagi kork ja õhufilter (selle olemasolul) on oma kohal ja kinnitatud.
- Ärge käituge eemaldatud süüteküünlaga mootorit.
- Kui mootor on bensiini täis, seadke õhuklapp (kui see on olemas) asendisse AVATUD/TÕÖ, seguklapp kiire töö asendisse ja käivitage, kuni mootor tööle hakkab.



HOIATUS





MÜRKGAAASIDE OHT. Mootori heitgaasid sisaldavad süsinikmonoksiidi, mis on mürgine ja võib tappa minutitega. Seda EI SAA näha, haista ega maitsta. Isegi heitgaaside lõhna mitte tundes võib süsinikmonoksiid teile mõju avaldada. Kui teid tabab toodet kasutades halb enesetunne, iiveldus või nõrkus, lülitage see välja ja minge KOHE värskesse õhu kätte. Pöörduge arsti poole. Teil võib olla vingugaasimürgitus.

- Kasutage toodet AINULT välitingimustes, akendest, ustest ja õhutusavadest eemal, et vältida vingugaasi kogunemist ja sattumist siseruumidesse.
- Paigaldage patareiga või pistikuga toimivad patareilisatoitel vingugaasialarmid vastavalt tootja soovitudele. Suitsualarm ei suuda vingugaasi tuvastada.
- ÄRGE kasutage toodet majas, garaažis, keldris, tunnelis, kuuris ega mujal osaliselt suletud ruumis isegi ventilaatorite toel või õhutamiseks ukse-aknaid avades. Vingugaas koguneb ruumides kiiresti ja võib seal püsida tunde ka pärast mootori seiskamist.
- Asetage toode ALATI allatuult ja suunake heitgaasid inimestest eemale.

MÄRKUS: See Briggs & Strattoni mootor on tarnitud ilma õlita. Enne mootori käivitamist lisage kindlasti õli vastavalt selle juhendi ettekirjutustele. Kui käivitate mootori ilma õlita, tekitab see parandamatuid kahjustusi ja muudab garantii kehtetuks.

Märkus. Seadmetel võivad olla kaugjuhtimisnupud. Kaugjuhtimisnuppude asukohta ja kasutamist vt seadme kasutusjuhendist.

1. Kontrollige mootori õlitaset. Vt **Kuidas kontrollida/lisada õli.**
2. Veenduge, et masin on välja lülitatud. Juhtseadmete asukohta ja kasutust vt seadme kasutusjuhendist.
3. Asetage seguklapi hoob (A, joonis 5) (kui see on olemas) kiire töö  asendisse. Kasutage mootorit selles  asendis.

4. Vajutage uue mootori esmakordsel käivitamisel tugevalt punast eeltäitepumpa (B) viis korda. Kõigil järgmistel käivituskordadel vajutage eeltäitepumpa kolm korda (joonis 5).

Märkus: kui mootor jääb kütuse puudumisel seisma või seda pole pikemat aega kasutatud, võib olla tarvis vajutada 5 korda.

Märkus: sooja mootori käivitamisel pole eeltäitmine tavaliselt vajalik.

Märkus: kui vajutate eeltäitepumba nupule liiga palju kordi, voolab karburaatorisse liiga palju kütust ning mootorit on raske käivitada.

5. Kui tootel on mootori stoppkang (C), hoidke mootori stoppkangi vastu käepidet (joonis 6).
6. Hoidke kõvasti starteri käepidemest (D). Tõmmake trossi aeglaselt, kuni tunnete takistust, seejärel tõmmake kiiresti (joonis 5).

Märkus: kui mootor pärast korduvaid katseid ei käivitu, korrake samme 4, 5 ja 6. Kui see ikkagi ei käivitu, vaadake veebilehte **BRIGGSandSTRATTON.COM** või helistage **1-800-233-3723** (USA-s).



HOIATUS: Starteri trossi kiire tagasikerimine (tagasilöök) tõmbab kätt mootori poole kiiremini, kui arvate. Tagajärjeks võivad olla murdunud või mõranenud luud, marrastused või venitused. Mootorit käivitades tõmmake trossi aeglaselt, kuni tunnete takistust, seejärel tõmmake kiiresti, et vältida tagasilööki.

Kuidas mootorit seisata - joonis 6

Vabastage mootori seiskamishoob (E). Vt joonis 6.

või

Seguklapiga mootorid: Viige seguklapi hoob (A, joonis 5) stoppasendisse .

Hooldamine

MÄRKUS: Kui mootorit hooldamise ajal kallutatakse, peab kütusepaak olema tühi ja süüteküünla poolne külg üleval. Kui kütusepaak ei ole tühi ja kui mootorit kallutatakse mõnes teises suunas, võib käivitumine õhufiltri ja/või süüteküünla õlist või kütusest saastumise tõttu olla raskendatud.



HOIATUS: Kui seadme hooldamine nõuab selle kallutamist, peab kütusepaak olema tühi, vastasel korral võib kütus välja voolata ja põhjustada tulekahju või plahvatuse.

Soovitame mootori ja mootori osade mis tahes hooldamiseks pöörduda Briggsi & Strattoni volitatud edasimüüja poole.

MÄRKUS: Kõik mootori ehitamisel kasutatud osad peavad jääma korrektse töö tagamiseks oma kohale.

Heitmete kontrollimine

Heitmekontrolli seadmeid ja süsteeme võib hooldada, ümber vahetada või remontida iga (muude kui sõiduautode) mootoreid parandav asutus või isik. Tasuta heitmekontrolliks tuleb pöörduda volitatud edasimüüja poole. Vt Heitmegarantii.



HOIATUS

Juhuslik säde võib põhjustada põlengu või elektrišoki.

Juhuslik käivitamine võib kaasa tuua jäsemete vahelejäämise, küljestrebimise või vigastuse.

Tuleoht



Enne seadistamist või parandamist:

- Ühendage lahti süüteküünla juhe ja hoidke seda süüteküünlast eemal.
- Ühendage lahti aku miinusklemm (ainult elektrikäivitiga mootorite puhul).
- Kasutage ainult õigeid tööriistu.
- Ärge püüdke gaasihoova vedru, ühenduslüli või mõne muu detaili kallal nokitsemisega suurendada mootori pöördeid.
- Varuosad peavad olema sama kujuga ja paigaldatud samas asendis kui originaaldetailid. Muud varuosad ei pruugi niisama hästi toimida ning võivad kahjustada seadet ja põhjustada vigastusi.
- Ärge lööge hooratast haamri või muu kõva esemega, sest see võib põhjustada hooratta hilisema purunemise töö käigus.

Sädeme kontrollimisel:

- Kasutage heakskiidetud süüteküünlatestriit.
- Ärge kontrollige sädet, kui süüteküünal on eemaldatud.

Hooldustabel

Pärast esimest 5 tundi:
<ul style="list-style-type: none">Vahetage õli
Iga 8 tunni järel või iga päev
<ul style="list-style-type: none">Kontrollige mootori õlitasetPuhastage summuti ja juhtseadmete ümbrus
Iga 25 töötunni tagant või kord aastas
<ul style="list-style-type: none">Puhastage õhufilter *
Iga 50 töötunni järel või kord aastas
<ul style="list-style-type: none">Vahetage mootoriõliKontrollige summutit ja sädemepüüdurit
Kord aastas
<ul style="list-style-type: none">Vahetage õhufiltritVahetage välja süüteküünladPuhastage õhkjahutusüsteemi *

* Tolmustes tingimustes või kergesti lenduva prügi korral puhastage sagedamini.

Karburaatori ja mootori pöörlemissageduse reguleerimine

Ärge reguleerige karburaatorit ega mootori pöörlemissagedust. Karburaator on tehases reguleeritud töötama tõhusalt enamikus tingimustest. Ärge kohandage vedrut, hoovastikku ega muid detaile mootori pöörlemissageduse reguleerimiseks. Vajaduse korral pöörduge Briggs & Strattoni volitatud teenindusse.

MÄRKUS Seadme tootja on määranud seadmele paigaldatud mootori maksimaalse pöörlemissageduse. **Ärge ületage** seda pöörlemissagedust. Kui te ei tea, milline on mootori maksimaalne või tehases reguleeritud pöörlemissagedus, pöörduge Briggs & Strattoni volitatud teenindusse. Seadme turvaliseks ja nõuetekohaseks kasutamiseks tohib mootori pöörlemissagedust reguleerida ainult vastava väljaõppega tehnik.

Kuidas asendada süüteküünalt - joonis 7

Vahetage süüteküünalt kord aastas. Kontrollige sädevahemikku (A, joonis 7) kaliibriga (B). Vajaduse korral reguleerige vahemikku. Paigaldage süüteküünal ja pingutage nõutud jõumomendini. Sädevahemiku ja jõumomendi kohta saate teavet peatükist **Tehnilised andmed**.

Märkus: mõnedes piirkondades nõutakse süüteimpulssi summutava takistiga süüteküünla kasutamist. Kui Teie mootor oli algselt varustatud takistiga süüteküünlaga, kasutage sarnast süüteküünalt ka edaspidi.

Kontrollige summutit ja sädemepüüdurit - joonis 8



HOIATUS



Töötavast mootorist eraldub soojust. Mootori osad, eelkõige summuti, võivad olla väga kuumad.



Nende puudutamine võib kaasa tuua raskeid põletushaavu.

Põlevad jäägid, näiteks puulehed, rohulibled, kõrred jms võivad süttida.

- Laske summutil, mootorisilindril ja ribidel enne puudutamist jahtuda.
- Eemaldage summuti ja silindri piirkonnast sinna kogunenud praht.
- Mootori kasutamine metsa, kulu või muruga kaetud hooldamata alal on mootori kasutamine vastuolus Kalifornia riigivarade seadustiku artikliga 4442, kui väljalaskesüsteem pole varustatud töökorras sädemepüüdjaga, nagu sätestab artikkel 4442. Muudes osariikides või riikides võivad kehtida sarnased seadused. Mootorile paigaldatud väljalaskesüsteemile mõeldud sädemepüüdja saamiseks pöörduge seadme tootja, edasimüüja või müügiesinduse poole.

Eemaldage summuti ja silindri ümbrusest sinna kogunenud prügi. Kontrollige summutit (A) pragude, rooste või muude kahjustuste suhtes. Eemaldage sädemepüüdja (B), kui see on olemas, ja veenduge, et sellel poleks kahjustusi ega tahmaummistusi.

Kahjustuste avastamisel paigaldage enne kasutamist varuosad.



HOIATUS: Varuosad peavad olema sama kujuga ja paigaldatud samas asendis kui originaaldetailid. Muud varuosad ei pruugi niisama hästi toimida ning võivad kahjustada seadet ja põhjustada vigastusi.

Kuidas vahetada õli - joonis 2 3 9 10



HOIATUS

Bensiin ja selle aurud on väga tule- ja plahvatusohtlikud.

Süttimine või plahvatus võib põhjustada raskeid põletushaavu või surma.

- Kui lasete õli välja ülemise õlitäiteteru kaudu, peab kütusepaak olema tühi, vastasel korral võib kütus välja voolata ja põhjustada tulekahju või plahvatus.

Kasutatud õli on ohtlik jääkprodukt ning seda tuleb õigesti käidelda. Ärge valage olmeheitmete hulka. Pöörduge jäätme/ettevõtte leidmiseks kohaliku omavalitsuse, teeninduskeskuse või edasimüüja poole.

Õlist tühjendamine

Õli tuleb välja lasta ülemisest täiteterust (E, joonis 10).

- Kui mootor on välja lülitatud, ent ikka veel soe, eemaldage süüteküünla juhe (A) ja hoidke seda süüteküünlast eemal (joonis 9).
- Eemaldage õlivarras (G, joonis 2).
- Kui väljutate õli ülemise täiteteru kaudu (E), hoidke mootori süüteküünlaga külg suunaga (F) ülespoole (joonis 10). Laske õlil voolata sobivasse anumasse.



HOIATUS: Kui lasete õli välja ülemise õlitäiteteru kaudu, peab kütusepaak olema tühi, vastasel korral võib kütus välja voolata ja põhjustada tulekahju või plahvatus. Kütusepaagi tühjendamiseks laske mootoril töötada, kuni see kütuse puudumise tõttu seiskub.

Lisage õli

- Seadke mootor horisontaalseks
 - Puhastage õlitäiteava ümbrus prahtist.
 - Vt peatükki **Tehnilised andmed** õlikoguse määramiseks.
- Eemaldage õlivarras (G) ja pühkige seda puhta lapiga (joonis 2, joonis 3).
 - Valage õli aeglaselt täiteavasse (H). **Ärge täitke üle.** Pärast õli lisamist oodake umbes üks minut ja kontrollige uuesti õlitaset.
 - Pange õlivarras tagasi ja keerake kinni.
 - Eemaldage õlivarras ja kontrollige õlitaset. Õli peaks ulatuma õlivardal oleva märke FULL (J) ülemise otsani.
 - Pange õlivarras tagasi ja keerake kinni.

Kuidas hooldada õhufiltrit - joonis 11 12



HOIATUS



Bensiin ja selle aurud on väga tule- ja plahvatusohtlikud.

Süttimine või plahvatus võib põhjustada raskeid põletushaavu või surma.

- Ärge käivitage mootorit, kui õhupuhasti või õhufilter (nende olemasolul) on eemaldatud.

HOIATUS: Ärge kasutage filtri puhastamiseks suruõhku ega lahusteid. Suruõhk võib filtrit vigastada, lahustid lagundavad selle.

Joonisel on näidatud kaht tüüpi õhufiltreid **harilik** ja **suure jõudlusega**. Selgitage välja, milline on Teie mootori õhufilter ja hooldage seda nii, nagu allpool kirjeldatud.

Standardne õhufilter - joonis 11

Standardses õhufiltris kasutatakse vahtelementi, mida saab pesta ja taaskasutada.

- Eemaldage kruvi (A) õhufiltri sõlme ülaoasa küljest (B). Vt joonis 11.
- Et vältida prahi karburaatorisse kukkumist, eemaldage õhufiltri sõlm ettevaatlikult.
- Eemaldage õhufiltri aluselt vahtelement (C).
- Peske vahtelementi vedela pesuvahendi ja veega. Pigistage vahtelement puhta riidetüki sees kuivaks.
- Küllastage vahtelement puhta mootoriõliga. Liigse õli eemaldamiseks pigistage vahtelementi puhta riidetüki sees.
- Paigaldage vahtelement õhufiltri aluse sisse.
- Paigaldage õhufiltri sõlm karburaatorile ja kinnitage kruviga.

Suure jõudlusega õhufilter - joonis 12

Suure jõudlusega õhufiltris on volditud filtrielement.

1. Eemaldage kruvi (A) õhufiltri sõlme ülaosa küljest (B). Vt joonis 12.
2. Et vältida prahi karburaatorisse kukkumist, eemaldage õhufiltri sõlm ettevaatlikult.
3. Eemaldage volditud element (C) õhufiltri aluse küljest.
4. Mustuse kõrvaldamiseks koputage volditud filtrielementi kergelt vastu kõva pinda. Kui filtrielement on väga määrduanud, vahetage see välja.
5. Paigaldage volditud filtrielement tagasi.
6. Paigaldage õhufiltri sõlm karburaatorile ja kinnitage kruviga.

Puhastage õhkjahustussüsteemi - joonis 13



HOIATUS



Töötavast mootorist eraldub soojust. Mootori osad, eelkõige summuti, võivad olla väga kuumad.



Nende puudutamine võib kaasa tuua raskeid põletushaavu.

Põlevad jäägid, näiteks puulehed, rohulibleid, kõrred jms võivad süttida.

- Laske summutil, mootorisilindril ja ribidel enne puudutamist jahtuda.
- Eemaldage summuti ja silindri piirkonnast sinna kogunenud praht.

MÄRKUS: Ärge kasutage mootori puhastamiseks vett. Vesi võib kahjustada kütusesüsteemi. Kasutage mootori puhastamiseks harja või puhast riidetükki.

See mootor on õhkjahutusega. Mustus või praht võib õhuvoolu takistada ja mootor võib üle kuumeneda, mis omakorda tingib jõudluse vähenemist ja mootori eluea lühenemist.

Kasutage prahi eemaldamiseks sõrmekaitse (A) küljest harja või kuuma lappi. Hoidke ühendusi, vedrusid ja juhtseadiseid (B) puhtana. Hoidke summuti (C) ümbrust vabana igasugusest süttivast prahist (joonis 13).

Säilitamine



HOIATUS



Bensiin ja selle aurud on väga tule- ja plahvatusohtlikud.

Süttimine või plahvatus võib põhjustada raskeid põletushaavu või surma.

Kütuse või paagis oleva kütusega seadmete hoiustamisel

- Ärge hoidke seadet kamina, ahju, veeboileri või muude süüteleegiga seadmete või süttimisallikate läheduses, sest need võivad süüdata kütuseaurud.

Kütusesüsteem

Kütus võib rikneda, kui seda säilitada üle 30 päeva. Riknenud kütus tekitab kütusesüsteemi ja karburaatori detailidele happe- ja vaigusadestisi. Kütuse värskena hoidmiseks kasutage **Briggs & Stratton Advanced Formula kütusestabilisaatorit**, mis on saadaval kõikides Briggs & Strattoni esinduskauplustes.

FRESH START® kütusepaagi korgiga varustatud mootorite puhul kasutage **Briggs & Strattoni FRESH START®** tilklahusega kasseti.

Kui vastavalt juhistele on lisatud kütusestabilisaatorit, siis ei ole vaja bensiini mootorist välja lasta. Enne hoiulepanekut laske mootoril töötada 2 minutit, et stabilisaator ringleks läbi kütusesüsteemi.

Kui mootoris olevat kütust ei ole stabilisaatoriga töödeldud, tuleb kütus väljutada sobivasse anumasse. Laske mootoril töötada, kuni see kütuse puudumisel seiskub. Säilitusanumas on soovitatav kasutada stabilisaatorit, et kütus värskena püsiks.

Mootoriõli

Vahetage mootoriõli siis, kui mootor on veel soe.

MÄRKUS: Hoidke mootorit rõhtsalt (harilikus tööasendis). Kui mootorit hoiulepanekuks kallutatakse, peab kütusepaak olema tühi ja süüteküünla poolne külg üleval. Kui kütusepaak ei ole tühi ja kui mootorit kallutatakse mõnes teises suunas, võib käivitamine õhufiltri ja/või süüteküünla õlist või kütusest saastumise tõttu olla raskendatud.

Tõrgete kõrvaldamine

Vajate abi? Küllastage kodulehte **BRIGGSandSTRATTON.COM** või helistage **1-800-233-3723** (USA-s).

Tehnilised andmed

Mootori tehnilised andmed	
Mudel	90000
Töömaht	148 cm ³
Õös	65,08 mm
Käigu pikkus	44,45 mm
Õli maht	0,54 - 0,59 l

Mootori tehnilised andmed	
Mudel	100000
Töömaht	158 cm ³
Õös	65,08 mm
Käigu pikkus	47,65 mm
Õli maht	0,54 - 0,59 l

Seadistuse tehnilised andmed *	
Mudel	90000, 100000
Süüteküünla elektroodide vahe	0,76 mm
Süüteküünla kinnikeeramise pöördemoment	20 Nm
Süütemagneeto õhupilu	0,15 - 0,25 mm
Sisselaskeklapi vahe	0,13 - 0,18 mm
Väljalaskeklapi vahe	0,18 - 0,23 mm

* Mootori võimsus väheneb 3,5% iga 300 meetri kohta üle merepinna ja 1% iga 5,6 C kohta üle 25 C. Mootor töötab rahuldavalt nurga all kuni 15. Ohutute kasutuspiiride leidmiseks kallakutel vt seadme kasutusjuhendit.

Tavalised varuosad ✓

Varuosa	Varuosa number
Standardne õhufilter	698369
Suure jõudlusega õhufilter	797819
Õli - SAE 30	100005
Kütuselisand	5041, 5058
Takistiga süüteküünal	796112
Pikaealine plaatinasüüteküünal	5062
Süüteküünla võti	89838, 5023
Süütestester	19368

✓ Soovitame mootori ja mootori osade hoolduseks pöörduda ükskõik millise Briggs'i & Stratton'i volitatud edasimüüja poole.

PIIRATUD GARANTII

Briggs & Stratton garanteerib, et parandab või asendab allpool nimetatud garantiiaja kestel tasuta mis tahes osad, millel on materjali- või tootmisviga või mõlemad. Parandamiseks või asendamiseks saadetud toote transpordikulud tasub ostja. See garantii kehtib allpool nimetatud ajaperioodil ja tingimustel. Garantiiteeninduse saamiseks pöörduge oma lähima volitatud esinduse poole, kelle leiate kaardilt aadressil BRIGGSandSTRATTON.COM. Ostja peab võtma ühendust volitatud esindusega ning andma toote volitatud esinduse käsutusse ülevaatuseks ja testimiseks.

Muud erigarantiid puuduvad. Eeldatavad garantiid, kaasa arvatud need, mis on antud läbimüügi suurendamiseks või erieesmärkidel, on piiratud ühe aastaga alates ostu sooritamise või kehtivad seadusega määratud perioodi vältel. Kõik muud eeldatavad garantiid on välistatud. Vastutus seotud või põhjuslike kahjude eest on välistatud seadusega lubatud ulatuses. Mõned osariigid või riigid ei luba piiranguid eeldatava garantii kestusele ning mõned ei luba välistada või piirata vastutust seotud või põhjustatud kahjude eest. Sellisel juhul ei pruugi ülalloodud piirangud ja välistused Teie kohta kehtida. See garantii annab teile teatud seaduslikud õigused, kuid Teil võib olla ka sõltuvalt riigist ja osariigist muid õigusi **.

ÜLDISED GARANTIINGIMUSED * ▲

Kaubamärk/Toote tüüp	Erakasutus	Kommertskasutus
Vanguard™ ■	3 aastat	3 aastat
Commercial Turf mudeliseeria™	2 aastat	2 aastat
Extended Life mudeliseeria™; I/C®; Intek™ I/C®, Intek™ Pro;™ Professional mudeliseeria™ Dura-Bore™ malmist hülssidega; 850 mudeliseeria™ Dura-Bore™ malmist hülssidega; Snow mudeliseeria MAX™ Dura-Bore™ malmist hülssidega Kõik muud Briggs & Stratton mootorid, millel on kasutusel Dura-Bore™ malmist hülssid	2 aastat	1 aasta
Kõik teised Briggs & Stratton'i mootorid	2 aastat	90 päeva

* Need on meie üldised garantiitingimused, kuid vahel võivad lisanduda täiendavad garantiid, mis ei olnud juhendi ilmumise ajal määratud. Mootori garantiitingimuste nimekirja leiate veebilehelt BRIGGSandSTRATTON.COM või pöördudes Briggs & Strattoni volitatud esindusse.

** Austraalia - meie toodetele antakse garantii, mida ei ole Austraalia tarbijaõiguse järgi võimalik tühistada. Suurema rike puhul on teil õigus saada asendustoode või raha tagasi ning muu mõistlikkuse piires ettenähtava kahju puhul kompensatsiooni. Samuti on teil õigus lasta toode parandada või see välja vahetada juhul, kui see ei ole piisavalt kvaliteetne ja rike ei ole suur. Garantiiteeninduse jaoks pöörduge lähima volitatud esinduse poole, kelle leiate kaardilt aadressil BRIGGSandSTRATTON.COM, või helistades numbrile 1300 274 447, või saates e-kirja või tavakirja aadressil salesenquiries@briggsandstratton.com.au, Briggs & Stratton Australia Pty Ltd, 1 Moorebank Avenue, Moorebank, NSW, Australia, 2170.

▲ Koduste varugeneraatorite mootorid: 2 aastane tarbijagarantii. Ärikasutusel garantii puudub. See garantii ei kehti nende seadmete mootoritele, mida kasutatakse põhilise vooluallikana. **Võidusõidu-, kommertskasutuses ja rendiautodel kasutatavatel mootoritel garantii puudub.**

■ Varugeneraatoritele paigaldatud Vanguard: 2 aastat tarbijagarantiid, ärikasutuse garantii puudub. Tarbesõidukitele paigaldatud Vanguard: 2 aastat tarbijagarantiid, 2 aastat ärikasutuse garantii. Kolmesilindriline vedelikjahutusega Vanguard: vt Briggs & Stratton 3/LC mootori omaniku garantiikirja.

Garantiiperiood algab kuupäevast, mil esimene tarbija või äri-lõppkasutaja toote ostab ning kestab ülal olevas tabelis näidatud perioodi ulatuses. Erakasutus tähendab jaetarbija poolset kasutamist kodumajapidamises. Ärikasutamise all mõistetakse kõiki muid kasutusviise, kaasa arvatud kommertseesmärkidel, sissetuleku saamiseks või rentimiseks. Kui mootorit on kasutatud mõnel perioodil kommertseesmärkidel, siis loetakse seda mootorit selle garantii mõttes ärikasutuses olevaks mootoriks.

Briggs & Strattoni toodetele garantii saamiseks pole registreerimine vajalik. Säilitage ostmist tõendav dokument (ostukviitung). Kui Teil puudub esmase ostmise kuupäeva tõendav dokument, siis lähtutakse garantiiteenindusel garantiiperioodi pikkuse määramisel toote valmistamiskuupäevast.

Teie garantiist

Briggs & Stratton nõustub hea meelega garantiiremondiga ja vabandab tekkinud ebamugavuste pärast. Garantiiremonti võib teha iga volitatud esindus. Enamik garantiinõudeid võetakse kohe töösse, kuid vahel ei ole soovitud remonditööd asjakohased. Kliendi ja esinduse vaheliste arusaamatuste vältimiseks on allpool loetletud mõned mootoririkete põhjused, mis ei kuulu garantii alla.

Harilik kulumine: Mootorid, nagu kõik mehaanilised osad vajavad korralikult töötamiseks perioodilist hooldamist ja ümbervahetamist. Garantii ei kata remondikuludisid, kui mootori või selle osa eluiga on harilike kasutustingimuste juures ammendunud. Garantii ei kehti, kui mootori kahjustus on tekkinud väärkasutusest, hooldamata jätmisest, eksimustest tarnimisel, transpordil, ladustamisel või paigaldamisel. Samuti muutub garantii kehtetuks, kui mootori seerianumber on kustutatud, mootorit on muudetud või ümber ehitatud.

Vale hooldamine: Mootori eluiga sõltub töötingimustest ja mootorile tehtavast hooldusest. Teatud seadmeid, nt freese, pumpi ja rootorniidekuid, kasutatakse sageli tolmu- ja mustades tingimustes, mis võivad põhjustada enneaegset kulumist. Mustusest, tolmu-, süüteküünla puhastamisjäädikdest või muust mootoris ebaõige hoolduse tõttu sattunud abrasiivsest materjalist põhjustatud kulumine ei kuulu garantiiremondi alla.

Selle garantii alla kuuluvad ainult materjali- ja/või valmistamisvigadest põhjustatud mootoririked. Siia ei kuulu seadme asendamine või hüvitamine, kuhu mootor võib olla paigaldatud. Garantii ei laiene ka järgmistest asjaoludest tingitud rikele:

- 1 Muudest kui Briggs & Strattoni originaalvaruosadest põhjustatud probleemid.
- 2 Seadmete juhtseadised või seadmed, mis takistavad mootori käivitamist, põhjustavad mootori ebaõige funktsioneerimise või lühendavad mootori eluiga. (Võtke ühendust seadme valmistajaga.)
- 3 Karburaatorilekked, ummistunud kütusetorud, kinnikiilunud klapid või teised tõrked, mis on põhjustatud saastunud või vaigustunud kütuse kasutamisest.

- 4 Osad, mille pind on kahjustunud või mis on purunenud ebapiisava või saastunud määrdõli või vale õlimargi tõttu (kontrollige õlitaset ja taastäitke vajadusel). ÕLITASEME ANDUR ei pruugi töötavat mootorit seisata. Kui õlitase pole õige, võib mootor kahjustuda.
- 5 Muude kui Briggs & Strattoni toodetud abiosade või sõlmede, nt sidurite, jõuülekannete, kaugjuhtimisseadmete jne remont või reguleerimine.
- 6 Osade kahjustumine või remont, mis on põhjustatud mustuse sattumisest mootoris õhupuhasüsteemi ebaõige hoolduse, kokkupaneku või mitte-originaalse õhupuhasüsteemi või filtripadruni kasutamise tõttu. Puhastage ja/või vahetage filter soovitatud ajavahemike järel, nagu kasutusjuhendis sätestatud.
- 7 Osade vigastamine ülemääraste mootoripöörete, rohu-, prahist või mustusest tingitud ülekuumenemise tõttu (jahutusribid või hooratta ümbrus on ummistunud või saastunud) või mootori töötamise ebapiisava ventilatsiooniga kohas. Puhastage mootor prahist soovitatud ajavahemike järel, nagu kasutusjuhendis sätestatud.
- 8 Mootori või seadmete purunemine ülemäärase vibratsiooni tõttu, mille on põhjustanud mootori lõtvunud kinnitused, lõtvunud löiketerad, tasakaalustamata pöörlevad osad, kadunud või tasakaalustamata tiivikud, seadmete ebaõige kinnitamine mootori väntvõlli külge, ülemäärased kõrged pöörded või muud töötamisele tekkinud häired.
- 9 Väntvõlli kõverdumine või purunemine, mis on põhjustatud rootorniiduki löiketera löögist vastu kõva objekti või ülemäärast v-rihma pingsusest.
- 10 Mootori tavapärase häälestamine või reguleerimine.
- 11 Rike mootoris või selle komponentides, st põlemiskambris, klappides, klappipesades, klapi juhtpuksides või põlenud käiviti mähistes, mille on põhjustanud alternatiivsete kütuste, nagu nafta, loodusliku gaasi, enam kui 10% etanooli sisaldava bensiini vms kasutamine.

Garantiiteenindust saab ainult Briggs & Stratton volitatud esindusest. Lähima volitatud esinduse leiate meie otsingusüsteemist veebiaadressil BRIGGSandSTRATTON.COM või helistades numbril 1-800-233-3723 (USA-s).

OPĆI PODACI

Ovaj priručnik sadrži sigurnosne obavijesti koje vas moraju učiniti svjesnima opasnosti vezanih uz motore i uz načine izbjegavanja tih opasnosti. Ovdje se također nalaze upute o tome kako na pravilan način koristiti i održavati motor. Budući da Briggs & Stratton ne mora znati koji stroj će se pogoniti ovim motorom, važno je da pročitate i shvatite ove upute i upute koje se odnose na stroj koji će biti pogonjen ovim motorom. **Spremite ove originalne upute radi budućih potreba.**

Radi zamjenskih dijelova ili tehničke pomoći, zapišite dolje model motora, vrstu i kodne brojeve zajedno s datumom kupnje. Ovi brojevi se nalaze na vašem motoru (pogledajte stranicu **Funkcije i upravljanje**).

Datum kupnje: _____
MM/DD/YYYY

Model motora: _____
Model Vrsta: Kod:

Podaci o snazi: Bruto snaga pojedinih modela benzinskih motora navedena je na pločici u skladu s SAE kodeksom (Society of Automotive Engineers) J1940 Postupak određivanja snage i momenta na malim motorima i dobivene su i ispravljene u skladu sa SAE J1995. Vrijednosti momenta izmjerene su uz 2600 o/min za motore čija se brzina vrtne nalazi naljepnici i 3060 o/min za druge; snaga se mjeri pri brzini od 3600 o/min. Krivulje bruto snage mogu se pogledati na www.BRIGGSandSTRATTON.COM. Neto vrijednosti snage dobivene su s montiranima ispušnim sustavom i zračnim filtrom, a vrijednosti o bruto snazi dobivene su bez tih nastavaka. Vrijednosti o stvarnoj snazi bit će više od neto snage motora. Stvarna bruto snaga motora može biti manja i na nju utječu, između ostalog radni uvjeti okoline i različitosti od motora do motora. S obzirom na široki spektar uređaja na kojima su ugrađeni naši motori i raznolikosti pravila za zaštitu okoliša koja se primjenjuju pri radu u uređajem, benzinski motor neće razviti nazivnu bruto snagu kad se bude koristio na određenom radnom stroju (stvarna "terenska" ili neto snaga stroja). Ova razlika nastaje zbog raznolikosti utjecajnih faktora koji uključuju dijelove motora i komponente, ali ne samo njih, (zračni filter, ispuh, punjenje, hlađenje, rasplinjač, pumpe za gorivo, itd.), ograničenja primjene, radni uvjeti okoline (temperatura, vlažnost, nadmorska visina), i razlike od motora do motora. Zbog ograničenja u proizvodnji i kapacitetima, Briggs & Stratton može izvršiti zamjenu nekog motora više nazivne snage motorom iz ove serije

Sigurnost operatora

SIMBOLI ZA SIGURNOST I UPRAVLJANJE



Požar



Pokretni dijelovi



Ulje



Otrovne pare



Sporo



Brzo



Stop



Eksplוזija



Udar



Gorivo



Čok



Uključeno
Isključeno



Prekidanje
dovoda goriva



Povratni
udarac



Koristite zaštitne
naočale



Opasne kemikalije




Pročitajte upute



Vruća površina



Ozeblina

Znak za upozorenje u vezi sa sigurnošću  koristi se označavanje obavijesti o sigurnosti u vezi s opasnostima koje mogu dovesti do ozljeđivanja osoba. Riječ tumačenja (OPASNOST, UPOZORENJE ili OPREZ) koristi se zajedno sa simbolom upozorenja da bi ukazala na mogućnost i potencijalnu ozbiljnost ozljeđ. Uz to, simbol opasnosti može se koristiti da bi ukazao na vrstu opasnosti.



OPASNOST ukazuje na rizik koji će, ako se ne izbjegne, dovesti do smrti ili ozbiljne ozljeđ.



UPOZORENJE ukazuje na rizik koji, ako se ne izbjegne, može prouzročiti smrt ili ozbiljnu ozljeđ.



OPREZ ukazuje na rizik koji, ako se ne izbjegne, može dovesti do lakše ili teže ozljeđ.

OBAVIJEST Označava situaciju koja bi mogla rezultirati oštećenjem proizvoda.



UPOZORENJE

Određeni sastavni dijelovi u ovom proizvodu i njegova prateća oprema sadrže kemikalije za koje je poznato u državi Kaliforniji da kako izazivaju rak, deformacije pri rođenju i druga reproduktivna oštećenja. Operite ruke nakon rukovanja.



UPOZORENJE

Ispušni plinovi ovog proizvoda sadrže kemikalije poznate državi Kaliforniji kao izazivači raka, defekata kod rođenja ili drugih reproduktivnih oštećenja.



UPOZORENJE

Motori Briggs & Stratton nisu predviđeni za pogon: zabavnih vozila; go-kart vozila; dječjih rekreacijskih ili sportskih terenskih vozila (ATV-a); motocikla; lebdilica; letjelica ili vozila koja se koriste na natjecanjima koja nije odobrio Briggs & Stratton. Pojedini o natjecateljskim proizvodima potražite na www.briggsracing.com. U vezi korištenja pomoćnih i lakih terenskih vozila kontaktirajte središte za primjenu motora Briggs & Stratton, 1-866-927-3349. Neprikladna primjena motora može dovesti do ozbiljne ozljeđ ili pogibije.

OBAVIJEST: Ovaj motor je iz tvrtke Briggs & Stratton isporučen bez ulja. Prije nego pokrenete motor, pobrinite se da dolijete ulje u skladu s uputama. Ako motor pokrenete bez ulja, doći će do njegova oštećenja preko granice mogućeg popravka i to nije obuhvaćeno jamstvom.



UPOZORENJE



Gorivo i njegove pare izuzetno su zapaljivi i eksplozivni. Požar ili eksplozija mogu izazvati ozbiljne opekline ili smrt.

Prilikom dolijevanja goriva

- Ugasite motor i pustite da se hladi bar 2 minute prije skidanja čepa goriva.
- Puniti spremnik goriva na otvorenom ili u dobro ventiliranom prostoru.
- Nemojte prepuniti spremnik gorivom. Da omogućite širenje goriva, nemojte ga puniti dalje od dna grla spremnika goriva.
- Benzin držite podalje od iskrenja, otvorenog plamena, inicijalizacijskih plamičaka, vrućine i drugih izvora zapaljenja.
- Provjeravajte češće da na vodovima goriva, spremniku, poklopcu i spojevima nema napuknuća ili curenja. Zamijenite po potrebi.
- Ako se gorivo prolje, pričekajte dok ne ishlapi prije pokretanja motora.

Pri pokretanju motora

- Pazite na to da svjećica, prigušivač, čep goriva i pročistač zraka (ako je ugrađen) budu na svome mjestu i učvršćeni.
- Nemojte kurlati motor sa skinutom svjećicom.
- Ako dođe do zalijevanja motora gorivom, postavite čok (ako postoji) u položaj OPEN/RUN, pomaknite gas (ako postoji) u položaj FAST i pokrećite sve dok motor ne upali.

Pri radu s uređajem

- Nemojte naginjati motor ili uređaj pod kutom pod kojim se gorivo može izliti.
- Nemojte čokom gušiti motor da ga zaustavite.
- Nikad nemojte pokretati motor ako su sklop pročistača (ako je ugrađen) ili zračni filter (ako je ugrađen) skinuti.

Pri zamjeni ulja

- Ako ulje ispuštate kroz gornju cijev za nalijevanje ulja, spremnik s gorivom mora biti prazan ili bi gorivo moglo istjecati te dovesti do požara ili eksplozije.

Prilikom naginjanja uređaja radi održavanja

- Prilikom radova na održavanju za koje je potrebno nagibanje uređaja, spremnik s gorivom mora biti prazan jer će u protivnom istjecati gorivo što može dovesti do požara ili eksplozije.

Kod prijevoza opreme

- Prijevoz vršite s PRAZNIH spremnikom ili s ventilom za dovod goriva u položaju OFF.

Pri uskladištenju goriva ili uređaja s gorivom u spremniku

- Pohranite daleko od peći, kuhala, grijača vode ili drugih uređaja koji imaju inicijalizacijske plamičke ili druge izvore paljenja jer oni mogu zapaliti pare goriva.



UPOZORENJE



Pokretanje motora uzrokuje iskrenje. Iskrenje može upaliti obližnje zapaljive plinove. Može doći do eksplozije i požara.

- Ako u blizini ističe prirodni ili LP plin, nemojte pokretati motor.
- Nemojte koristiti pokretačke tekućine u spreju jer su pare zapaljive.



UPOZORENJE



OPASNOST OD OTROVNIH PLINOVA. Ispušni plinovi motora sadrže otrovni ugljični monoksid, otrovni plin koji vas može usmrtniti za nekoliko minuta. On je BEZ boje, mirisa i okusa. Čak i ako ne udišete ispušne plinove, ipak možete biti izloženi ugljičnom monoksidu. Ako za vrijeme korištenja ovog proizvoda osjetite mučninu, vrtoglavica ili slabost, ugaseite ga i BEZ ODLAGANJA izađite na svježi zrak. Potražite pomoć liječnika. Možda ste udahnuili ugljični monoksid.

- Ovaj proizvod koristite ISKLJUČIVO na velikoj udaljenosti od prozora, vrata i ventilacijskih otvora jer time ćete smanjiti opasnost od nakupljanja ugljičnog monoksida i mogućnosti da dođe do njegovog uvlačenja u prostor u kojemu borave ljudi.
- Montirajte alarmne uređaje za ugljični monoksid s baterijskim napajanjem ili ukopčajte alarmne uređaje za ugljični monoksid s rezervnim baterijskim napajanjem u skladnosti s uputama proizvođača. Detektori dima ne mogu otkriti prisutnost ugljičnog monoksida.
- NEMOJTE koristiti ove proizvode u kući, garaži, podrumu, niskom podrumu, skloništu ili drugom djelomično zatvorenom prostoru čak ni ako koristite ventilatore, prozore ili vrata za provjetranje prostora. Ugljični monoksid može se brzo nakupiti u takvim prostorima i tamo se zadržati satima, čak i nakon gašenja proizvoda.
- Ovaj proizvod UVIJEK postavite niz vjetar i ispuh usmjerite izvan mjesta u kojemu borave ljudi.



UPOZORENJE



Brzo vraćanje konopca za pokretanje (povratni udarac) povući će šaku i ruku prema motoru brže no što ga možete ispustiti.

Može doći do loma kostiju, fraktura, modrica ili iščašenja.

- Pri pokretanju motora, uže pokretača okrećite polagano sve dok ne osjetite otpor, zatim ga povucite naglo da izbjegnute povratni udarac.
- Odvojite sve vanjske dijelove opreme/opterećenja motora prije pokretanja.
- Izravno spojeni dijelovi uređaja poput, ali ne isključivo, noževa, krilaca, remenica, lančanika itd. moraju biti dobro pričvršćeni



UPOZORENJE



Dijelovi koji se vrte mogu dotaknuti ili zahvatiti ruke, noge, kosu, odjeću ili pomagala.

Može doći do traumatske amputacije ili teškog ranjavanja.

- Radite s opremom čiji štitnici su na svom mjestu.
- Ruke i noge držite dalje od dijelova koji se okreću.
- Vežite dugačku kosu i skinite nakit.
- Nemojte nositi široku odjeću, slobodne vezice ili nešto što se može zaplesti.



UPOZORENJE



Rad motora proizvodi toplinu. Dijelovi motora, naročito prigušivač, izuzetno se zagrijavaju.

Teške opekline mogu nastati pri dodiru.



Zapaljivi otpad poput lišća, trave, grmlja itd. može se upaliti.

- Pustite da se prigušivač, cilindri motora i krila ohlade prije dodirivanja.
- Odstranite nakupine nečistoće iz okoline prigušivača i cilindra.
- Upotreba motora na pošumljenom terenu, terenu punom žbunja ili nikog raslinja i trave ako ispušni sustav nije opremljen hvatačem iskre, kako je to definirano u odjeljku 4442, koji se održava u ispravnom stanju, predstavlja kršenje kodeksa o javnim resursima Kalifornije, odjeljak 4442. Druge države ili federalne jedinice mogu imati slične zakone. Kontaktirajte proizvođača originalne opreme, prodavača ili predstavnika radi nabavke hvatača iskre koji je predviđen za ispušni sustav koji je postavljen na motoru.



UPOZORENJE



Nenamjerno iskrenje može dovesti do požara ili strujnog udara.

Nenamjerno pokretanje može dovesti do zapetljanja, traumatske amputacije ili ranjavanja.

Opasnost od požara



Prije podešavanja ili popravljanja:

- Odvojite kabel svjećice i držite ga podalje od svjećice.
- Odvojite bateriju na negativnom polu (samo za motore s električnim paljenjem).
- Koristite samo ispravne alate.
- Nemojte dirati opruge regulatora, veze ili druge dijelove radi povećavanja brzine motora.
- Zamjenski dijelovi moraju biti jednake izvedbe i moraju se ugraditi u istom položaju kao i originalni dijelovi. Drugi dijelovi neće raditi kako treba i mogu oštetiti jedinicu te dovesti do ozljede.
- Nemojte udarati po zamašnjaku čekićem ili tvrdim predmetima jer će to kasnije dovesti do vibracija zamašnjaka.

Kad provjeravate ima li iskre:

- Koristite odobreni ispitivač svjećica.
- Nemojte provjeravati iskrnu dok je svjećica skinuta.

Funkcije i upravljanje

Usporedite sliku **1** s vašim motorom kako biste se upoznali s položajem različitih funkcija i komandi.

- A. Prepoznavanje motora
Kod vrste modela
- B. Svjećica
- C. Pumpica
- D. Spremnik s gorivom i čep
- E. Zračni filtar
- F. Ručka užeta pokretača
- G. Mjerna šipka
- H. Prigušivač
Štitnik prigušivača (ako je ugrađen)
Hvatač iskre (ako je ugrađen)
- I. Regulator gasa (ako je ugrađen)

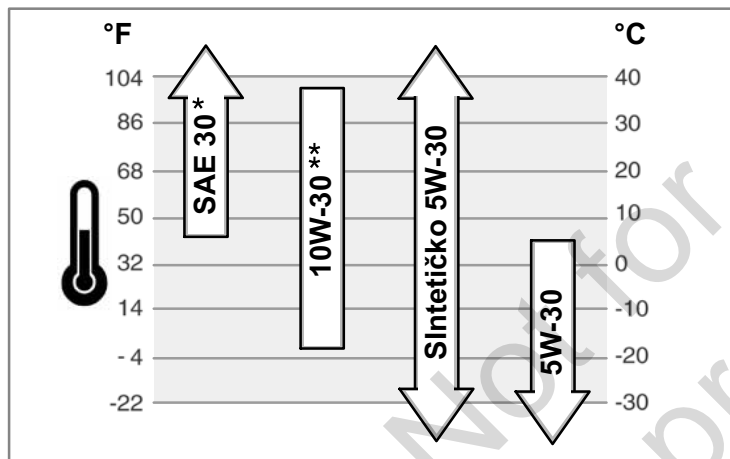
Rad

Kapacitet ulja (pogledajte odjeljak **Tehnički podaci**)

Preporuke u vezi s uljem

Preporučujemo upotrebu certificiranih ulja s jamstvom Briggs & Stratton za najbolji rad. Ostala visokokvalitetna deterdžentska ulja su prihvatljiva ako su razvrstana za rad SF, SG, SH, SJ ili više. Nemojte koristiti posebne aditive.

Vanjska temperatura određuje pravilni stupanj viskoziteta za motor. Pomoću tablice izaberite najbolji viskozitet za očekivani opseg vanjske temperature.



* Ispod 40°F (4°C) upotreba ulja SAE 30 će izazvati teškoće s pokretanjem.

** Iznad 80°F (27°C) upotreba 10W-30 može dovesti do povećane potrošnje ulja. Razinu ulja provjeravajte češće.

Kako provjeriti/Dodati ulje - Slika **2** **3**

Prije provjere ili dolijevanja ulja

- Motor postavite u vodoravni položaj.
- Iz područja za ulijevanje ulja očistite sve nečistoće.
- 1. Izvadite mjernu šipku (**G**) i obrišite je čistom krpom (Slika 2, Slika 3).
- 2. Umetnite i zategnite mjernu šipku.
- 3. Izvadite mjernu šipku i provjerite razinu ulja. Ona mora biti do oznake full (**J**) na mjernoj šipki.
- 4. Ako je razina preniska, polako dolijevajte ulje u otvor za nalijevanje ulja (**H**). **Nemojte prepuniti.** Nakon dolijevanja ulja pričekajte jednu minutu i opet provjerite razinu ulja.
- 5. Vratite i zategnite mjernu šipku.

Sustav za zaštitu od niske razine ulja (ako je ugrađen)

Neki motori opremljeni su senzorom niske razine ulja. Ako je razina ulja niska, senzor će aktivirati svjetlo upozorenja ili zaustaviti rad motora. Zaustavite rad motora i provedite sljedeći postupak prije ponovnog pokretanja motora.

- Pazite da motor bude u vodoravnom položaju.
- Provjerite razinu ulja. Pogledajte odjeljak **Kako provjeriti/Doliti ulje**.
- Ako je razina ulja niska, dolijte potrebnu količinu ulja. Pokrenite motor i provjerite da se svjetlo upozorenja (ako je ugrađeno) ne aktivira.
- Ako se razina ulja nije niska, **nemojte pokretati** motor. Kontaktirajte ovlaštenog predstavnika Briggs & Stratton kako bi ispravio problem s tlakom ulja.

Preporuke u vezi goriva

Gorivo mora zadovoljiti ove zahtjeve:

- Čist, svježi bezolovni benzin.
- Najmanje 87 oktana/87 AKI (91 RON). Za primjenu na velikoj nadmorskoj visini, pogledajte dolje.
- Prihvatljiv je benzin s 10% etanola (gazohol).

OPREZ: Nemojte koristiti neodobrena goriva, poput E15 i E85. Nemojte miješati ulje i benzin, niti nemojte vršiti izmjene na motoru za rad na alternativnim gorivima. Upotreba neodobrenih goriva će dovesti do oštećenja dijelova motora i učiniti će **jamstvo za rad motora nevažećim**.

Radi zaštite sustava goriva od stvaranja gume, u gorivo pri ulijevanju pomiješajte stabilizator. Pogledajte **Skladištenje**. Sva goriva nisu jednaka. Ako budete imali poteškoća pri pokretanju ili u radu, promijenite dobavljača goriva ili promijenite marku goriva. Ovaj motor je certificiran za rad sa benzinom. Sustav kontrole ispuštanja za ovaj motor je EM (Engine Modifications (Izmjene na motoru)).

Velika nadmorska visina

Na nadmorskim visinama iznad 5.000 stopa (1524 metra), potreban je benzin s najmanje 85 oktana/85 AKI (89 RON). Da se održi sukladnost sa zahtjevima o ispuštanjima, na povišenoj nadmorskoj visini potrebna su podešavanja. Rad bez ovih podešavanja će dovesti do smanjenih radnih svojstava, povećanja potrošnje goriva i povećanje štetnih ispuštanja. Potražite podatke o podešavanjima za velike nadmorske visine kod ovlaštenih predstavnika Briggs & Stratton.

Rad motora s kompletom za velike nadmorske visine se ne preporučuje na nadmorskim visinama ispod 2.500 stopa (762 metra).

Kako dolijevati gorivo - Slika **4**



UPOZORENJE



Gorivo i njegove pare izuzetno su zapaljivi i eksplozivni. Požar ili eksplozija mogu izazvati ozbiljne opekline ili smrt.

Prilikom dolijevanja goriva

- Ugasite motor i pustite da se hladi bar 2 minute prije skidanja čepa goriva.
- Punite spremnik goriva na otvorenom ili u dobro ventiliranom prostoru.
- Nemojte prepuniti spremnik gorivom.. Da omogućite širenje goriva, nemojte ga puniti dalje od dna grla spremnika goriva.
- Benzin držite podalje od iskrenja, otvorenog plamena, inicijalizacijskih plamčaka, vrućine i drugih izvora zapaljenja.
- Provjeravajte češće da na vodovima goriva, spremniku, poklopcu i spojevima nema napuknuća ili curenja. Zamijenite po potrebi.
- Ako se gorivo prolje, pričekajte dok ne ishlapi prije pokretanja motora.

1. Iz područja za ulijevanje goriva odstranite svu nečistoću. Skinite čep otvora za ulijevanje goriva (**A**, Slika 4).
2. Napunite spremnik s (**B**) benzinom. Da omogućite širenje benzina, nemojte ga puniti dalje od dna grla spremnika goriva (**C**).
3. Vratite čep otvora za ulijevanje goriva.

Kako pokrenuti motor - Slika **5** **6**



UPOZORENJE



Brzo vraćanje konopca za pokretanje (povratni udarac) povući će šaku i ruku prema motoru brže no što ga možete ispustiti. Može doći do loma kostiju, fraktura, modrica ili iščašenja.

- Pri pokretanju motora, uže pokretača okrećite polagano sve dok ne osjetite otpor, zatim ga povucite naglo da izbjegnute povratni udarac.



UPOZORENJE



Gorivo i njegove pare izuzetno su zapaljivi i eksplozivni. Požar ili eksplozija mogu izazvati ozbiljne opekline ili smrt.

Pri pokretanju motora

- Pazite na to da svjećica, prigušivač, čep goriva i pročistač zraka (ako je ugrađen) budu na svome mjestu i učvršćeni.
- Nemojte kurbati motor sa skinutom svjećicom.
- Ako dođe do zalijevanja motora gorivom, postavite čok (ako postoji) u položaj OPEN/RUN, pomaknite gas (ako postoji) u položaj FAST i pokrećite sve dok motor ne upali.





UPOZORENJE



OPASNOST OD OTROVNIH PLINOVA. Ispušni plinovi motora sadrže otrovni ugljični monoksid, otrovni plin koji vas može usmrtniti za nekoliko minuta. On je **BEZ boje, mirisa i okusa**. Čak i ako ne udišete ispušne plinove, ipak možete biti izloženi ugljičnom monoksidu. Ako za vrijeme korištenja ovog proizvoda osjetite mučninu, vrtoglavica ili slabost, ugasi ga i **BEZ ODLAGANJA izađite na svježi zrak. Potražite pomoć liječnika. Možda ste udahnuli ugljični monoksid.**

- Ovaj proizvod koristite **ISKLUJUČIVO** na velikoj udaljenosti od prozora, vrata i ventilacijskih otvora jer time ćete smanjiti opasnost od nakupljanja ugljičnog monoksida i mogućnosti da dođe do njegovog uvlačenja u prostor u kojemu borave ljudi.
- Montirajte alarmne uređaje za ugljični monoksid s baterijskim napajanjem ili ukopčajte alarmne uređaje za ugljični monoksid s rezervnim baterijskim napajanjem u skladnosti s uputama proizvođača. Detektori dima ne mogu otkriti prisutnost ugljičnog monoksida.
- **NEMOJTE** koristiti ove proizvode u kući, garaži, podrumu, niskom podrumu, skloništu ili drugom djelomično zatvorenom prostoru čak ni ako koristite ventilatore, prozore ili vrata za provjetranje prostora. Ugljični monoksid može se brzo nakupiti u takvim prostorima i tamo se zadržati satima, čak i nakon gašenja proizvoda.
- Ovaj proizvod **UVIJEK** postavite niz vjetar i ispuh usmjerite izvan mjesta u kojemu borave ljudi.

OBAVIJEST: Ovaj motor je iz tvrtke Briggs & Stratton isporučen bez ulja. Prije nego pokrenete motor, pobrinite se da dolijete ulje u skladu s uputama. Ako motor pokrenete bez ulja, doći će do njegova oštećenja preko granice mogućeg popravka i to nije obuhvaćeno jamstvom.

1. Provjerite motorno ulje. Pogledajte odjeljak **Kako provjeriti/Doliti ulje**.
2. Uvjerite se da su regulatori uređaja, ako postoje, isključeni.
3. Pomaknite regulator gasa (**A**, Slika 5), ako postoji, u položaj fast . Pokrenite motor s gasom u položaju fast .

Održavanje

OBAVIJEST: Ako se motor za vrijeme održavanja prevrće, spremnik za gorivo **mora biti prazan** i strana sa svjećicom **mora biti okrenuta prema gore**. Ako spremnik za gorivo nije prazan i ako se motor preokrene u bilo kojem smjeru, moglo bi doći do problema prilikom pokretanja zbog toga što će ulje ili benzin onečistiti zračni filter i/ili svjećicu.



UPOZORENJE: Prilikom radova na održavanju za koje je potrebno nagibanje uređaja, spremnik s gorivom mora biti prazan jer će u protivnom istjecati gorivo što može dovesti do požara ili eksplozije.

Preporučujemo vam da se obratite ovlaštenom Briggs & Stratton servisu za održavanje i servis motora i dijelova motora.

OBAVIJEST: Svi sastavni dijelovi moraju biti na svom mjestu kako bi ovaj motor radio ispravno.

Kontrola ispuštanja

Održavanje, zamjenu ili popravak uređaja i sustava za kontrolu emisije može obaviti bilo koja radionica ili osoba, a koji se bave popravcima malih motora. Međutim, kako biste ostvarili besplatni servis ili zamjenu dijela za kontrolu emisije rad mora obaviti tvornica ili ovlašteni distributer. Pogledajte jamstva o ispuštanjima.

4. Pri prvom pokretanju novog motora, pet puta čvrsto pritisnite crvenu pumpicu (**B**). Zatim pri svim budućim pokretanjima pumpicu pritisnite tri puta (Slika 5).

Napomena: Ako motor ostane bez goriva ili ako je u duljem vremenskom periodu bio uskladišten, možda će trebati pumpicu pritisnuti 5 puta.

Napomena: Pumpica je obično nepotrebna pri ponovnom paljenju toplog motora.

Napomena: Ako pumpicu pritisnete previše puta, prekomjerna količina goriva će zaliti rasplinjač i motor će imati teškoća s pokretanjem.

5. Ako je motor opremljen ručicom za zaustavljanje rada motora (**B**), držite je pritisnutom uz dršku (Slika 6).
6. Čvrsto držite dršku užeta pokretača (**D**). Dršku konopca pokretača povlačite polagano dok ne osjetite otpor, a zatim je povucite brzo (Slika 5).

Napomena: Ako se motor ne pokrene nakon više pokušaja, ponovite korake 4, 5 i 6. Ako ni to ne pomogne, posjetite **BRIGGSandSTRATTON.COM** li nazovite **1-800-233-3723** (in USA).



UPOZORENJE: Brzo vraćanje konopca za pokretanje (povratni udarac)

povući će šaku i ruku prema motoru brže no što ga možete ispustiti. Može doći do loma kostiju, fraktura, modrica ili iščašenja. Kad pokrećete motor, konopac povlačite polagano dok ne osjetite otpor, a zatim ga povucite brzo da izbjegnute povratni udarac.

Kako zaustaviti motor - Slika 6

Otpustite ručicu za zaustavljanje motora (**E**). Pogledajte Slika 6.

Motor s regulatorom gasa: Pomaknite regulator gasa (**A**, Slika 5) u položaj za zaustavljanje .

Not for Reproduction



UPOZORENJE

Nenamjerno iskrenje može dovesti do požara ili strujnog udara.

Nenamjerno pokretanje može dovesti do zapetljanja, traumatske amputacije ili ranjavanja.

Opasnost od požara

Prije podešavanja ili popravljavanja:

- Odvojite kabel svjećice i držite ga podalje od svjećice.
- Odvojite bateriju na negativnom polu (samo za motore s električnim paljenjem).
- Koristite samo ispravne alate.
- Nemojte dirati opruge regulatora, veze ili druge dijelove radi povećavanja brzine motora.
- Zamjenski dijelovi moraju biti jednake izvedbe i moraju se ugraditi u istom položaju kao i originalni dijelovi. Drugi dijelovi neće raditi kako treba i mogu oštetiti jedinicu te dovesti do ozljede.
- Nemojte udarati po zamašnjaku čekićem ili tvrdim predmetima jer će to kasnije dovesti do vibracija zamašnjaka.

Kad provjeravate ima li iskre:

- Koristite odobreni ispitivač svjećica.
- Nemojte provjeravati iskrnu dok je svjećica skinuta.

Tablica održavanja

Nakon prvih 5 sati rada
<ul style="list-style-type: none">Promijenite ulje
Svakih 8 sati ili jednom dnevno
<ul style="list-style-type: none">Provjerite razinu ulja u motoruOčistite područje oko prigušivača i regulatora
Svakih 25 sati ili jednom godišnje
<ul style="list-style-type: none">Očistite zračni filter *
Svakih 50 sati ili jednom godišnje
<ul style="list-style-type: none">Zamijenite ulje u motoruPregledajte prigušivač i hvatač iskre
Jednom godišnje
<ul style="list-style-type: none">Zamijenite filter zraka.Zamijenite svječicuOčistite sustav za hlađenje motora *

* U prašnjavim uvjetima ili ako u zraku ima nečistoća, čišćenje izvršite češće.

Rasplinjač i podešavanje brzine vrtnje motora

Nikad izvodite podešavanja na rasplinjaču regulatoru brzine. Rasplinjač je tvornički već podešen za efikasni rad pod većinom uvjeta. Nemojte dirati opruge regulatora, polužje ili druge dijelove radi povećavanja brzine vrtnje motora. Ako su podešavanja ipak potrebna, obratite se ovlaštenom servisnom centru Briggs & Stratton.

OBAVIJEST: Proizvođač opreme propisuje maksimalnu brzinu vrtnje motora koji je montiran na opremi. **Nemojte prekoračivati** ovu brzinu. Ako niste sigurni kolika je maksimalna brzina vrtnje opreme ili na koju je brzinu vrtnje motor podešen u tvornici, obratite se ovlaštenom servisnom centru Briggs & Stratton radi pomoći. Kako bi se osigurao siguran i propisani rad opreme, brzinu vrtnje smije podešavati samo kvalificirani servisni tehničar.

Kako zamijeniti svječicu - Slika 7

Svječicu zamijenite jednom godišnje. Provjerite razmak elektroda (A, Slika 7) žičanim mjeracem (B). Ako je potrebno podesite razmak. Postavite svječicu i pritegnite je odgovarajućim momentom. Vrijednosti razmaka elektroda i momenta pritezanja svječice potražite u odjeljku **Tehnički podaci**.

Napomena: U određenim područjima, lokalni propis zahtijeva uporabu svječice s otpornikom da bi se spriječila radio smetnje koje nastaju pri paljenju. Ako je na ovom motoru ugrađena svječica s otpornikom, pri njezinoj zamjeni koristite istovrsnu svječicu.

Pregledajte prigušivač i hvatač iskre - Slika 8



UPOZORENJE



Rad motora proizvodi toplinu. Dijelovi motora, naročito prigušivač, izuzetno se zagrijavaju.



Teške opekline mogu nastati pri dodiru.

Zapaljivi otpad poput lišća, trave, grmlja itd. može se upaliti.

- Pustite da se prigušivač, cilindri motora i krila ohlade prije dodirivanja.
- Odstranite nakupine nečistoće iz okoline prigušivača i cilindra.
- Upotreba motora na pošumljenom terenu, terenu punom žbunja ili nikog raslinja i trave ako ispušni sustav nije opremljen hvatačem iskre, kako je to definirano u odjeljku 4442, koji se održava u ispravnom stanju, predstavlja kršenje kodeksa o javnim resursima Kalifornije, odjeljak 4442. Druge države ili federalne jedinice mogu imati slične zakone. Kontaktirajte proizvođača originalne opreme, prodavača ili predstavnika radi nabavke hvatača iskre koji je predviđen za ispušni sustav koji je postavljen na motoru.

Odstranite nakupine otpada iz područja prigušivača i cilindra. Pregledajte prigušivač (A) da na njemu nema pukotina, korozije ili drugih oštećenja. Skinite hvatač iskre (B), ako je ugrađen i pregledajte da nema oštećenja ili začepljenosti ugljičnim naslagama. Ako otkrijete oštećenje, montirajte zamjenski dio prije pokretanja.



UPOZORENJE: Zamjenski dijelovi moraju biti jednake izvedbe i moraju se ugraditi u istom položaju kao i originalni dijelovi. Drugi dijelovi neće raditi kako treba i mogu oštetiti jedinicu te dovesti do ozljede.

Kako promijeniti ulje - Slika 2 3 9 10



UPOZORENJE

Gorivo i njegove pare izuzetno su zapaljivi i eksplozivni. Požar ili eksplozija mogu izazvati ozbiljne opekline ili smrt.

- Kad ulje ispuštate kroz cijev za punjenje uljem s gornje strane, spremnik s gorivom mora biti prazan jer će u protivnom istjecati gorivo što može dovesti do požara ili eksplozije.

Iskorišteno ulje opasni je otpadni proizvod i mora se odložiti na prikladan način. Ne bacajte ga u kućni otpad. Provjerite s mjesnim vlastima, servisnim centrom ili zastupnikom gdje se nalazi postrojenje za sigurno odlaganje/reciklažu.

Ispustite ulje

Ulje se mora ispuštati kroz cijev za punjenje uljem s gornje strane (E, Slika 10).

- Dok je motor isključen ali je još uvijek topao, odvojite kabel svječice (A) i držite ga podalje od svječice (Slika 9).
- Izvadite mjernu šipku (G, Slika 2).
- Kada ulje ispuštate kroz cijev za punjenje uljem s gornje strane (E), neka strana motora sa svječicom bude okrenuta prema (F) gore (Slika 10). Ulje ispusite u atestiranu posudu.



UPOZORENJE: Kad ulje ispuštate kroz cijev za punjenje uljem s gornje strane, spremnik s gorivom mora biti prazan jer će u protivnom istjecati gorivo što može dovesti do požara ili eksplozije. Da ispraznite spremnik s gorivom, pokrenite motor i ostavite ga u radu sve dok se ne zaustavi zbog nedostatka goriva.

Dolijte ulje

- Motor postavite u vodoravni položaj.
 - Iz područja za ulijevanje ulja očistite sve nečistoće.
 - Pogledajte odjeljak **Tehnički podaci** radi kapaciteta ulja.
- Izvadite mjernu šipku (G) i obrišite je čistom krpom (Slika 2, Slika 3).
 - Polako nalijevajte ulje u otvor za nalijevanje (H). **Nemojte prepuniti.** Nakon dolijevanja ulja, pričekajte jednu minutu i zatim provjerite razinu ulja.
 - Umetnite i pritegnite mjernu šipku.
 - Izvadite mjernu šipku i provjerite razinu ulja. Ona mora biti do oznake full (J) na mjernoj šipki.
 - Umetnite i pritegnite mjernu šipku.

Kako servisirati zračni filter - Slika 11 12



UPOZORENJE



Gorivo i njegove pare izuzetno su zapaljivi i eksplozivni. Požar ili eksplozija mogu izazvati ozbiljne opekline ili smrt.



- Nikad nemojte pokretati motor ako su sklop pročištača ili zračni filter skinuti jer postoji opasnost od požara.

OBAVIJEST: Za čišćenje filtra nemojte koristiti komprimirani zrak ili otapala. Komprimirani zrak može oštetiti filter a otapala ga mogu rastvoriti. Prikazane su dvije vrste zračnog filtra, **Standardni** i **Visokog kapaciteta**. Odredite koju vrstu imate na svom motoru i servisirajte ga kako slijedi.

Standardni zračni filter - Slika 11

Standardni zračni filter koristi spužvasti element koji se može oprati i ponovno upotrijebiti.

- Skinite vijak (A) s gornjeg dijela sklopa zračnog filtra (B). Pogledajte Slika 11.
- Kako nečistoća ne bi dospjela u rasplinjač, sklop zračnog filtra skidajte pažljivo.
- Skinite spužvasti uložak (C) s baze zračnog filtra.
- Operite spužvasti uložak u tekućem deterdžentu i vodi. Iscijedite spužvasti uložak od suhoga u čistoj krpi.
- Natopite spužvasti uložak čistim motornim uljem. Za uklanjanje viška ulja, iscijedite spužvasti uložak u čistu krpom.
- Ugradite spužvasti uložak u osnovu zračnog filtra.
- Postavite sklop zračnog filtra na rasplinjač i pričvrstite ga vijkom.

Zračni filtar visokog kapaciteta - Slika 12

Zračni filtar visokog kapaciteta koristi naborani filtar.

1. Skinite vijak (A) s gornjeg dijela sklopa zračnog filtra (B). Pogledajte Slika 12.
2. Kako nečistoća ne bi dospjela u rasplinjač, sklop zračnog filtra skidajte pažljivo.
3. Skinite naborani filtar (C) s baze zračnog filtra.
4. Da s naboranog filtra stresete nečistoću, lagano kucnite njime u neku tvrdu površinu. Ako je naborani filtar prekomjerno prljav, zamijenite ga novim.
5. Montirajte naborani filtar.
6. Postavite sklop zračnog filtra na rasplinjač i pričvrstite ga vijkom.

Očistite sustav za hlađenje zrakom - Slika 13



UPOZORENJE



Rad motora proizvodi toplinu. Dijelovi motora, naročito prigušivač, izuzetno se zagrijavaju.



Teške opekline mogu nastati pri dodiru.

Zapaljivi otpad poput lišća, trave, grmlja itd. može se upaliti.

- Pustite da se prigušivač, cilindri motora i krila ohlade prije dodirivanja.
- Odstranite nakupine nečistoće iz okoline prigušivača i cilindra.

OPAZIJEŠT: Nemojte vodom čistiti motor. Voda može onečistiti sustav goriva. Motor očistite četkom ili suhom krpom.

Ovo je motor sa zračnim hlađenjem. Prijavština ili nečistoća može ograničiti protok zraka te izazvati pregrijavanje motora, što će za posljedicu imati slabiji rad i skraćeni životni vijek motora.

Četkom ili suhom krpom odstranite nečistoću sa štitnika za prste (A). Polužje, opruge i ručice održavajte (B) čistima. U području oko i iza prigušivača ne smije biti (C) nikakvog zapaljivog otpada (Slika 13).

Skладиštenje



UPOZORENJE



Gorivo i njegove pare izuzetno su zapaljivi i eksplozivni.

Požar ili eksplozija mogu izazvati ozbiljne opekline ili smrt.



Pri uskladištenju goriva ili uređaja s gorivom u spremniku

- Pohranite daleko od peći, kuhala, grijača vode ili drugih uređaja koji imaju inicijalizacijske plamičke ili druge izvore paljenja jer oni mogu zapaliti pare goriva.

Sustav goriva

Gorivo može postati ustajalo ako je uskladišteno dulje od 30 dana. Ustajalo gorivo izaziva kisele i gumaste taloge u sustavu goriva ili na važnim dijelovima rasplinjača. Da gorivo ostane svježije koristite **Briggs & Stratton naprednu formulu za stabilizaciju i pripremu goriva**, koja je dostupna kao tekući dodatak uz prodaju svakog originalnog proizvoda Briggs & Stratton.

Kod motora koji su opremljeni čepom za gorivo s dodatkom FRESH START®, koristite **Briggs & Stratton FRESH START®** koji je dostupan u ulošku s kapajućim koncentratom.

Nema potrebe za ispuštanjem benzina iz motora ako je stabilizator dodan prema uputama. Neka motor radi 2 minute kako bi se stabilizator prije skladištenja rasporedio po sustavu za gorivo.

Ako gorivo prije skladištenja nije bilo obrađeno stabilizatorom, mora se ispustiti iz motora u prikladni spremnik. Pustite motor da radi dok se ne zaustavi zbog pomanjkanja goriva. Za održavanje svježine goriva se preporučuje korištenje stabilizatora goriva u spremniku goriva.

Motorno ulje

Dok je motor još uvijek zagrijan, promijenite ulje.

OPAZIJEŠT: Motor čuvajte u vodoravnom položaju (položaj za normalni rad). Ako se motor čuva u preokrenutom položaju, spremnik za gorivo **mora biti prazan** i strana sa svjećicom **mora biti okrenuta prema gore**. Ako spremnik za gorivo nije prazan i ako se motor preokrene u bilo kojem smjeru, moglo bi doći do problema prilikom pokretanja zbog toga što će ulje ili benzin onečistiti zračni filtar i/ili svjećicu.

Rješavanje problema

Potrebna vam je pomoć? Pođite na **BRIGGSandSTRATTON.COM** ili pozovite **1-800-233-3723** (u SAD).

Tehnički podaci

Tehnički podaci motora

Model	90000
Radni volumen	148 ccm
Otvor cilindra	65,08 mm
Hod klipa	44,45 mm
Kapacitet spremnika ulja	0,54 - 0,59 L

Tehnički podaci motora

Model	100000
Radni volumen	158 ccm
Otvor cilindra	65,08 mm
Hod klipa	47,65 mm
Kapacitet spremnika ulja	0,54 - 0,59 L

Podaci o podešavanjima *

Model	90000, 100000
Zazor svjeće	0,76 mm
Moment pritezanja svjeće	20 Nm
Zazor kotve paljenja	0,15 - 0,25 mm
Zazor usisnog ventila	0,13 - 0,18 mm
Zazor ispušnog ventila	0,18 - 0,23 mm

* Snaga motor će se smanjiti za 3,5% na svakih 1.000 stopa (300 metara) nadmorske visine 1% za svakih 10° F (5,6° C) iznad 77° F (25° C). Motor će zadovoljavajuće raditi pri kutu do 15°. Pogledajte u upute za operatora radi podataka o dopuštenim sigurnosnim ograničenjima pri radu na usponima.

Najčešći servisni dijelovi ✓

Servisni dio	Broj dijela
Standardni zračni filtar	698369
Zračni filtar visokog kapaciteta	797819
Ulje – SAE 30	100005
Dodatak za gorivo	5041, 5058
Svjećica s otpornikom	796112
Dugovječna platinasta svjećica	5062
Ključ za svjećicu	89838, 5023
Ispitivač iskre	19368

✓ Preporučujemo vam da se obratite ovlaštenom Briggs & Stratton servisu za održavanje i servis motora i dijelova motora.

OGRAIČENO JAMSTVO

Korporacija Briggs & Stratton jamči da će za vrijeme dolje navedenog jamstvenog perioda besplatno popraviti ili zamijeniti svaki dio motora s greškom u materijalu ili izradi ili oboma. Troškove prijevoza dijelova poslanih na popravak ili zamjenu u smislu ovog jamstva mora snositi kupac. Ovo jamstvo vrijedi unutar dolje navedenog vremenskog razdoblja i pod dolje navedenim uvjetima. Radi popravka u jamstvenom roku kontaktirajte najbližega ovlaštenog servisera navedenog u karti za lociranje servisera na stranici BRIGGSandSTRATTON.com. Kupac mora stupiti u vezu s ovlaštenim servisierom i omogućiti mu dostupnost proizvoda radi pregleda ili ispitivanja.

Ne postoje druga izričita jamstva. Implicirana jamstva, uključujući ona o mogućnosti prodaje i prikladnosti za posebnu namjenu ograničena su na razdoblje od jedne godine nakon kupnje ili onoliko koliko to zakon dopušta. Sva druga implicirana jamstva su isključena. Odgovornost za slučajnu štetu i štetu koja iz toga proizlazi isključena je u mjeri u kojoj je to dopušteno zakonom. U nekim državama ili zemljama nije dopušteno ograničenje trajanja impliciranog jamstva, a u nekim državama ili zemljama nije dopušteno isključenje ili ograničenje slučajne štete ili štete koja iz toga proizlazi, tako da se možda gore navedena ograničenja i isključenja ne odnose na vas. Ovo jamstvo daje vam specifična zakonska prava, a možete imati i druga prava koja se razlikuju od države do države i od zemlje do zemlje**.

STANDARDNI UVJETI JAMSTVA * ▲

Marka/Vrsta proizvoda	Privatno korištenje	Komercijalno korištenje
Vanguard™ ■	3 godine	3 godine
Komercijalna serija za travnjake™	2 godine	2 godine
Serija s produženim životnim vijekom™; I/C®; Intek™ I/C®; Intek™ Pro;™ Profesionalna serija™ s Dura-Bore™ košuljicom od lijevanog željeza; Serija 850™ s Dura-Bore™ košuljicom od lijevanog željeza; Serija za snijeg MAX™ s Dura-Bore™ košuljicom od lijevanog željeza Sve druge karakteristične Briggs & Stratton Dura-Bore™ košuljice od lijevanog željeza	2 godine	1 godina
Svi drugi motori Briggs & Stratton	2 godine	90 dana

* Ovo su naši standardni uvjeti jamstva, no ponekad može postojati obuhvaćenost jamstvom koja nije bila definirana u vrijeme objave ovog materijala. Ispis trenutnih uvjeta jamstva za vaš motor potražite na BRIGGSandSTRATTON.COM ili kontaktirajte ovlaštenog Briggs & Stratton servisnog predstavnika.

** U Australiji – naši proizvodi dolaze s jamstvom koje se ne može isključiti australskim zakonom o potrošačima. Imate pravo na zamjenu ili povrat vrijednosti u slučaju velikih kvarova i na nadoknadu svih drugih razložnih i predvidivih gubitaka ili štete. Također imate pravo na popravak ili zamjenu robe ako se pokaže da je roba neprihvatljive kvalitete iako se kvar ne računa velikim kvarom. U vezi servisa o u okviru jamstva, nađite najbližeg ovlaštenog servisera u našoj lokacijskoj karti s predstavnicima na BRIGGSandSTRATTON.COM, pozivom na 1300 274 447, slanjem e-pošte ili pisma na salesenquiries@briggsandstratton.com.au, Briggs & Stratton Australia Pty Ltd, 1 Moorebank Avenue, Moorebank, NSW, Australia, 2170.

▲ Motori koji se koriste za kućne generatore: 2 godine jamstva samo za privatnu upotrebu. Nema jamstva za komercijalnu primjenu. Ovo jamstvo se ne odnosi na motore koji se koriste kao osnovni izvor napajanja na mjestu rada. **Jamstvo ne vrijedi za motore koji se koriste za natjecanja, u komercijalne svrhe ili za iznajmljivanje.**

■ Vanguard koji je montiran na nepokretnim generatorima: 2 godine privatne upotrebe, bez jamstva za komercijalnu upotrebu. Vanguard koji je montiran na pomoćnim vozilima: 2 godine privatne upotrebe, 2 godine komercijalne upotrebe. Vanguard s 3 cilindra i hlađenjem s tekućinom: pogledajte Briggs & Stratton 3/LC Politika jamstva za vlasnike motora.

Jamstveni period počinje danom kupovine prvog korisnika ili komercijalnog krajnjeg korisnika i traje do isteka perioda naznačenog u gornjoj tablici. Korišten u ovoj polici, izraz "privatno korištenje" znači korištenje prvog vlasnika u vlastitom kućanstvu. "Komercijalno korištenje" znači sva ostala korištenja, uključujući korištenje s komercijalnom svrhom ostvarivanja zarade ili iznajmljivanja. Od trenutka kad je motor bio jednom upotrijebljen u komercijalne svrhe, za potrebe ovog jamstva smatra ga se motorom u komercijalnom korištenju.

Nije potrebna nikakva jamstvena evidencija da bi se dobilo jamstvo za briggs & stratton proizvode. Čuvajte vaš račun koji dokazuje kupovinu. Ako prilikom traženja usluge popravka u jamstvenom roku ne predložite dokaz o datumu prve kupovine, upotrijebit će se datum proizvodnje da bi se odredio jamstveni period.

O vašem jamstvu

Briggs & Stratton vam želi dobrodošlicu ako vam je potreban popravak u okviru jamstva i ispričava vam se za sve eventualne neugodnosti. Svaki ovlašten servisier može obavljati popravke u okviru jamstva. Većina jamstvenih popravaka izvodi se rutinski, ipak neki zahtjevi za popravak u okviru jamstva možda neće biti utemeljeni. Kako bismo izbjegli sve nesporazume između servisiera i kupca, u nastavku su navedeni neki uzroci kvarova motora koji neće biti obuhvaćeni jamstvom.

Normalno trošenje: Motori, kao i svi mehanički uređaji, trebaju periodičko servisiranje i zamjenu dijelova kako bi dobro radili. Jamstvom nije obuhvaćen popravak kad se neki dio ili motor istroše normalnom uporabom. Jamstvo ne vrijedi ako je motor oštećen zbog pogrešnog rukovanja, nedostatka osnovnog održavanja, prijevoza, rukovanja, skladištenja ili nepravilne montaže. Isto tako, jamstvo ne vrijedi ako je serijski broj uklonjen s motora ili ako je motor pretrpio preinake ili izmjene.

Nepravilno održavanje: Životni vijek motora ovisi o uvjetima u kojima radi te brizi koja mu se poklanja. Neki uređaji koje on pokreće kao što su plugovi, pumpe i rotacione kosilice obično rade u prljavim uvjetima koji mogu izazvati prerano habanje. Takvo habanje, izazvano nečistoćom, prašinom, sredstvom za čišćenje svjetlice ili drugim abrazivnim sredstvima koja dospiju u motor zbog nepravilnog održavanja, nije obuhvaćeno jamstvom.

Jamstvo obuhvaća samo greške u materijalu i/ili izradi vezane uz motor, a ne zamjenu ili naknadu za stroj na koji se motor priključuje. Jamstvo isto tako ne obuhvaća ni popravke potrebne zbog:

- 1 Problema izazvanih dijelovima koji nisu originalni dijelovi Briggs & Stratton.
- 2 Regulatori ili instalacija priključene opreme koja onemogućava pokretanje, izaziva nezadovoljavajući rad motora ili mu skraćuje rok trajanja. (Kontaktirajte proizvođača opreme.)
- 3 Propuštanja rasplinjača, začepljenih vodova za gorivo, zaglavljenih ventila ili drugih oštećenja izazvanih korištenjem nečistog goriva.

- 4 Dijelova koji su izgareni ili slomljeni jer je motor radio s nedovoljnom količinom ili s onečišćenim uljem za podmazivanje ili s uljem za podmazivanje nepravilne gradacije (Provjerite ga i dopunite kad je potrebno i zamijenite u preporučenim intervalima.) ČUVAR ULJA ne može ugasisi motor. Može doći do oštećenja motora ako se razina ulja ne održava odgovarajuće.
- 5 Popravkom ili podešavanjem pridruženih dijelova ili sklopova poput spojki, prijenosa, daljinskih upravljača, itd., koji nisu proizvod Briggs & Strattona.
- 6 Oštećenja ili istrošenost dijelova izazvanih nečistoćom koja je ušla u motor zbog nepravilnog održavanja, ponovne montaže pročištača zraka ili zbog korištenja neoriginalnih elemenata ili uložaka pročištača zraka. U preporučenim intervalima očistite i/ili zamijenite filter kako je opisano u Korisničkom priručniku.
- 7 Oštećenja dijelova zbog prebrzog rada motora ili zbog pregrijavanja prouzročeno travom ili nečistoćom koja je zapunila rebra za hlađenje ili prostor zamašnjaka, ili oštećenjem zbog korištenja motora u zatvorenom prostoru bez pravilne ventilacije. Očistite nečistoću s motora u preporučenim intervalima kako je to navedeno u Korisničkom priručniku.
- 8 Dijelova motora ili priključenih strojeva polomljenih velikim vibracijama izazvanim olabavljenim nosačem motora ili noževima kosačice, neizbalansiranim noževima ili labavim ili neizbalansiranim rotorima, nepravilnim priključkom opreme na radilicu motora, rada prevelikom brzinom ili drugim nepravilnim rukovanjem.
- 9 Savijanjem ili lomom radilice zbog udarca noža kosilice u neki tvrdi predmet ili zbog prezategnutosi klinastih remena.
- 10 Rutinskim podešavanjem motora.
- 11 Kvarom motora ili njegovih komponenti kao što su komora za sagorijevanje, ventili, sjedišta ventila, vodilice ventila ili izgorjeli namoti elektropokretača, a sve izazvano alternativnim gorivima poput zemnog ulja, prirodnog plina, benzina pomiješanog s etanolom u omjeru većem od 10% itd.

Popravak u okviru jamstva dostupan je samo putem mreže ovlaštenih servisiera Briggs & Stratton. Pronađite vama najbližeg servisiera u našoj lokacijskoj karti na stranici BRIGGSandSTRATTON.COM ili pozivom na broj 1-800-233-3723 (u SAD).

Általános információ

Biztonsági tudnivalókat tartalmaz ezen útmutató, hogy felhívja a figyelmet a motorokhoz kapcsolódó veszélyekre és kockázatokra, illetve ezek elkerülésének módzataira. A motor helyes gondozására és használatára vonatkozó útmutatásokat is tartalmaz. Mivel a Briggs & Stratton Corporation nem feltétlenül tudja, milyen berendezést fog ez a motor hajtani, fontos, hogy elolvassa és megértse ezen, valamint a motor által meghajtott berendezésre vonatkozó útmutatásokat. **Későbbi utánanézés céljából őrizze meg ezen eredeti útmutatásokat.**

Pótalkatrészek beszerzéséhez vagy műszaki támogatáshoz alább jegyezze fel a motor modellt, típus és kódszámát a vásárlás időpontjával együtt. Ezen számok a motorján találhatóak (lásd a **Funkciók és kezelőszervek** című oldalt).

Vásárlás dátuma: _____
HH/NN/ÉÉÉÉ

Motor modell: _____
Modell: Típus: Kódszám:

Névleges teljesítmények: A bruttó névleges teljesítmény feltüntetése egyedi benzinmotor modellek esetében az SAE (Autómérnökök Egyesülete) J1940 Kisméretű motorok teljesítmény és nyomaték szabvány előírásainak megfelelően történik, továbbá a besorolása összhangban van az SAE J1995 szabvánnyal is. 2600 percnkénti fordulatszámon történt a nyomatékértékek meghatározása olyan motorok esetében, melyeknél fel van tüntetve a percnkénti fordulatszám, míg 3060 percnkénti fordulatszámon minden más esetben; 3600 percnkénti fordulatszámnál kerültek a löerő értékek meghatározásra. A www.BRIGGSandSTRATTON.COM webhelyen tekinthetők meg bruttó teljesítmény görbék. A nettó teljesítményértékeket a felszerelt kipufogóval és a levegőszűrővel, míg a bruttó teljesítményértékeket e kiegészítő elemek nélkül gyűjtötték. A tényleges bruttó névleges teljesítmény magasabb lesz, mint a nettó teljesítmény, melyet többek között, a környezeti feltételek, és a motor és motor közötti különbségek befolyásolnak. Adva van a termékek széles választéka, melyekben a motorokat használják, így előfordulhat, hogy a benzinmotor nem adja le a névleges teljesítményt, amikor egy adott motoros berendezésben használják. Ezen eltérés többféle tényezőre vezethető vissza beleértve, de nem korlátozva a részegységekre (levegőszűrő, kipufogó, adagoló, hűtés, porlasztó, üzemanyag-szivattyú, stb.), alkalmazási kötöttségekre, üzemeltetés helyi körülményeire (hőmérséklet, páratartalom, magasság), és a motor és motor közötti különbségekre. A gyártási és kapacitási korlátok miatt, a Briggs & Stratton nagyobb névleges teljesítményű motorral helyettesíthet egy motort.

Kezelő biztonsága

BIZTONSÁGI ÉS VEZÉRLÉSI JELZÉSEK



A biztonságra figyelmeztető jel olyan kockázatokra vonatkozó biztonsági információkat jelez, melyek személyi sérüléseket okozhatnak. A figyelemfelhívó szó (VESZÉLY, FIGYELMEZTETÉS vagy FIGYELEM) a figyelmeztető jelzettel együtt használatos annak jelzésére, hogy a mekkora a lehetséges sérülés valószínűsége és súlyossága. Továbbá egy kockázati jel is használatos a kockázat jellegének feltüntetésére.

VEZÉLY egy kockázatot jelez, aminek ha nem kerülik el **halál vagy súlyos sérülés a következménye.**

FIGYELMEZTETÉS egy kockázatot jelez, aminek ha nem kerülik el, **halál vagy súlyos sérülés a következménye.**

FIGYELEM egy olyan kockázatot jelez, melynek ha nem kerülik el, **kiseb vagy közepes sérülés lehet a következménye.**

MEGJEGYZÉS olyan körülményt jelez, melynek **következménye a termék károsodása lehet.**

FIGYELMEZTETÉS

E termék bizonyos alkatrészei és a velük kapcsolatos tartozékok olyan vegyszereket tartalmaznak, melyeket Kalifornia Államban rákkeltőknek, születési rendellenességeket okozóknak és a reprodukív rendszerre káros hatásúnak ismernek. Mosson kezet a velük való érintkezés után.

FIGYELMEZTETÉS

Ennek a terméknek a motor kipufogógázai Kalifornia állam hatóságai előtt ismert olyan anyagokat tartalmaznak, amelyek rákot, születési rendellenességeket vagy egyéb a szaporodást befolyásoló ártalmat okoznak.

FIGYELMEZTETÉS

Nem tervezték a következő célokra, és nem is használhatóak ezekre a Briggs & Stratton motorok: funkkartok; gokartok; gyermek, szabadidős vagy sport terepjárók (ATV); motorkerékpárok; légpárnás járművek; repülőgépek; vagy a Briggs & Stratton által nem támogatott versenyeken használt járművek. Versenysport termékekre vonatkozó további információért a www.briggsracing.com weboldalt nézze meg. Szabadidős és kétszemélyes terepjárókban való használatl kapcsolatosan forduljon a Briggs & Stratton Motor alkalmazási központjához, 1-866-927-3349. Súlyos sérülést vagy halált okozhat a nem megfelelő motorhasználat.

MEGJEGYZÉS: Ezt a motort a Briggs & Stratton olaj nélkül szállítja. A motor indítása előtt, ezen útmutató útmutatásai szerint töltsön be olajat. Ha olaj nélkül indítja el a motort, akkor a motor javíthatatlanul károsodást szenved, és nem esik a garancia hatálya alá.



FIGYELMEZTETÉS



Az üzemanyag és gőzei rendkívül gyúlékony és robbanásveszélyes anyagok.

A tűz vagy a robbanás komoly égési sérüléseket vagy halált okozhat.

Üzemanyag betöltések

- Állítsa le a motort és hagyja legalább 2 percig hűlni, mielőtt leveszi az üzemanyagtartály-sapkát.
- Az üzemanyagtartályt szabadban vagy jól szellőző helyen töltsse fel.
- Ne töltsse túl az üzemanyagtartályt. A benzin tágulásának lehetővé tételére ne töltsse az üzemanyagtartály nyakának alja fölé.
- Az üzemanyagot szikráktól, nyílt lángtól, őrlángtól, hőtől és más gyújtószerkezettől tartsa távol.
- Ellenőrizze az üzemanyagvezetékeket, a tankot, a sapkát és az illesztéseket repedések vagy szivárgások szempontjából. Ha szükséges, cserélje ki ezeket.
- Ha kifolyik az üzemanyag, várjon a motor indítása előtt, amíg elpárolog.

Motor indításakor

- Bizonyosodjon meg arról, hogy a gyújtógyertya, a kipufogódob, az üzemanyagtartály sapkája és a levegőszűrő (ha be van szerelve) a helyén van-e és rögzítve van-e.
- Ne indítózson, ha a gyújtógyertya nincs a helyén.
- Ha a porlasztó túlfolyik, akkor állítsa a szivatót (ha be van szerelve) OPEN (NYITVA)/RUN (MŰKÖDÉS) állásba, a gázsabályozót (ha be van szerelve) állítsa FAST (GYORS) állásba és indítózson, amíg a motor be nem indul.

Berendezés működésekor

- Ne döntse meg annyira a motort vagy a berendezést, hogy az üzemanyag kilötyyenését okozza.
- A motort ne a porlasztó szivátásával állítsa le.
- Soha ne indítsa úgy a motort, hogy ki van szerelve a levegőszűrő szerelvény (ha be van szerelve) vagy a levegőszűrő (ha be van szerelve).

Olajcsere esetén

- Ha az olajat a felső olajbetöltő csövön keresztül engedi le, akkor az üzemanyagtartálynak üresnek kell lennie, ellenkező esetben kifolyhat az üzemanyag és tüzet vagy robbanást okoz.

Az egység megdöntése karbantartáshoz

- Ha olyan karbantartást végez, mely az egység megdöntését igényli, akkor az üzemanyagtartálynak üresnek kell lennie ellenkező esetben kifolyhat az üzemanyag és tüzet vagy robbanást okoz.

Berendezés szállításakor

- ÜRES üzemanyagtartállyal vagy KI állásban lévő elzárószeleppel szállítsa.

Üzemanyag vagy olyan berendezés tárolása, amelynek üzemanyagtartályában üzemanyag van.

- Kazánoktól, tűzhelyektől, vízmelegítőtől vagy más olyan berendezésektől távol helyezze el, amelyek gyújtólánggal vagy gyújtószerkezettel vannak ellátva távol tárolja, mivel ezek meggyújthatják az üzemanyag kipárolgást.



FIGYELMEZTETÉS



A motor indítása szikrázást okoz.

A szikrázás gyúlékony gázok közelében azok meggyulladását eredményezheti.

Ennek robbanás és tűz lehet az eredménye.

- Ha a környezetben földgáz vagy cseppfolyósított petróleum-alapú gáz szivárgás történik, akkor ne indítsa el a motort.
- Ne alkalmazzon nyomás alatt lévő hidegindítókat, mert a gőzök gyúlékonyak.



FIGYELMEZTETÉS



A járó motorok hőt termelnek. A motor alkatrészek, különösen a kipufogódob rendkívül felforrósodnak.

Ha hozzáérnek, komoly égési sérülések keletkezhetnek.

A gyúlékony hulladék, pl. lomb, fű, cserje stb. meggyulladhatnak.

- Hagyja lehűlni a kipufogódobot, a motorhengert és a bordákat, mielőtt hozzáér.
- Az összegyűlt hulladékot távolítsa el a hangtompító környékéről és a henger környezetéből.
- A Kaliforniai közösségi erőforrás törvény 4442. szakasza megsértésének számít, ha erdővel, bokrokkal vagy gyepvel borított földterületen a motort úgy használják vagy működtetik, hogy kipufogórendszer nincs ténylegesen üzemképes állapotban lévő, a 4442 szakaszban meghatározott, szikrafogóval felszerelve. Más államok vagy a szövetségi törvényei hasonló törvényeket tartalmazhatnak. Lépjen kapcsolatba az eredeti gyártóval, kiskereskedővel vagy viszonteladóval e motor kipufogórendszeréhez meghatározott szikrafogó beszerzése érdekében.



FIGYELMEZTETÉS



MÉRGEZŐ GÁZ VESZÉLYE. Szénmonoxidot, egy olyan mérgező gáz tartalmaz a kipufogógáz, mely percek alatt képes ölni. NEM érzékelhető szaglással vagy más érzékszervvel. Attól, hogy nem éri a kipufogógáz szagát, még ki lehet téve a szénmonoxid gáz által előidézett veszélynek. Ha hányingert, szédülést vagy gyengeséget kezd érezni e termék használata során, akkor állítsa le, és AZONNAL menjen szabad levegőre. Forduljon orvoshoz. Előfordulhat, hogy szénmonoxid mérgezése van.

- KIZÁRÓLAG ablakoktól, ajtóktól és szellőzőnyílásoktól távol, a szabadban működtesse e terméket, hogy csökkentse a szénmonoxid gáz felgyülemeléséből és esetlegesen emberi tartózkodásra szolgáló hely felé áramlásából származó veszélyt.
- A gyártó utasításainak megfelelően végezze az elemes működtetésű vagy hálózati táplálású szénmonoxid riasztó beszerelését. A füstérzékelők nem érzékelik a szénmonoxid gázt.
- NE működtesse e terméket lakásokban, garázsokban, alagsorokban, kúszóterekben, fészerekben, vagy más részben zárt helyeken még akkor sem, ha a szellőztetéshez ventilátorokat használ vagy kinyitja az ajtókat és ablakokat. Gyorsan felgyülemlik a szénmonoxid az ilyen helyeken, és még a termék kikapcsolása után is órákig megmarad.
- MINDIG a hátszél irányába ill. úgy fordítsa e terméket, hogy ne áramoljon emberi tartózkodásra szolgáló hely felé a kipufogógáz.



FIGYELMEZTETÉS



A berántózsínór gyors visszahúzása (visszarúgás) a kezét és a karját gyorsabban húzza a motor felé, mint ahogy azt engedni tudja.

Csonttörés, roncsolás, rándulás vagy ficam lehet az eredménye.

- A motor indításakor lassan húzza a berántózsínórt, amíg ellenállást nem érez, majd a visszahúgás elkerülésére gyorsan rántsa meg.
- A motor indítása előtt távolítsa el minden külső berendezést/motorterhelést.
- A berendezés közvetlenül rákapcsolt alkatrészeit, mint lapátokat, járókerekeket, ékszíjtárcsákat, lánckerekeket, stb. biztonságosan rögzíteni kell.



FIGYELMEZTETÉS



A forgó alkatrészek érintkezésbe kerülhetnek a kézzel, lábbal, hajjal, ruházattal és más, a testen viselt tárgyakkal, vagy beleakadhatnak azokba.

Ennek balesetből eredő amputáció vagy súlyos børsérülés lehet az eredménye.

- A berendezés működtetések a védőberendezéseknek a helyükön kell lenniük.
- Forgó alkatrészekről tartsa távol kezeit és lábait.
- A hosszú hajat kösse fel, és vegye le az ékszereket.
- Ne viseljen bő ruhát, lógó húzószínórokat, vagy olyan ruhadarabokat, amelyeket a gép elkaphat.



FIGYELMEZTETÉS



Véletlen szikraképződés tüzet vagy áramütést okozhat.

A véletlen indítás balesetből eredő amputációt vagy zúzott sebeket okozhat.

Tűzveszély

Beállítások vagy javítások végzése előtt:

- Bontsa a gyújtógyertya vezetékének csatlakozását, és tartsa távol a gyújtógyertyától.
- Bontsa az akkumulátor csatlakozását a negatív pólusnál (csak elektromos indítással rendelkező motorok esetében.)
- Csak megfelelő szerszámokat használjon.
- Ne piszkálja a szabályozó rugót, összekötéseket vagy más alkatrészeket a motor sebességének növelése érdekében.
- Ugyanolyan kivételnek kell a pótalkatrészeknek lenniük, és ugyanarra a helyre kell beszerelni azokat, mint az eredeti alkatrészeket. Lehet, hogy más alkatrészek nem teljesítenek olyan jól, károsodhat az egység és sérülés lehet az eredménye.
- Ne üsse meg a lendkereket kalapáccsal vagy egyéb kemény tárggyal, mivel a lendkerék később működés közben összetörhet.

Gyújtás ellenőrzésekor:

- Jóváhagyott gyújtógyertya tesztet használjon.
- Ne ellenőrizze a gyújtást, amikor a gyújtógyertya nincs a helyén.

Funkciók és kezelőszervek

Az **1** ábrát hasonlítsa össze a motorjával, hogy megismerkedjen a különböző funkciók és kezelőszervek elhelyezésével.

- A. Motorszám
Modell Típus Kódszám
- B. Gyújtógyertya
- C. Indító befecskendező szivattyú
- D. Üzemanyagtartály és sapka
- E. Levegőszűrő
- F. Berántózsínór fogantyúja
- G. Olajsztintjelző pálca
- H. Kipufogódob
kipufogódob védő (ha be van szerelve)
szikrafogó (ha be van szerelve)
- I. Gázsabályozó (ha be van szerelve)

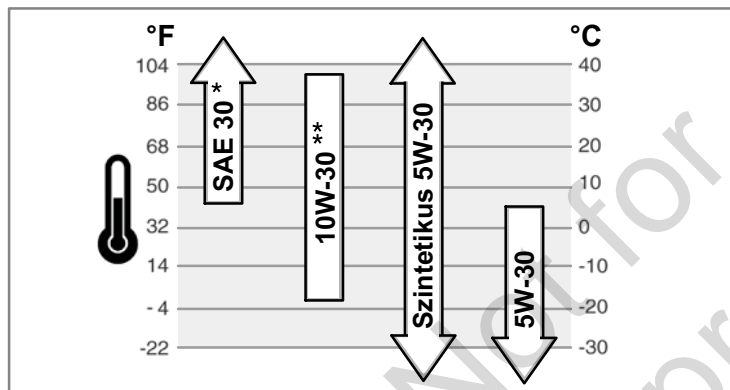
Működés

Olajtérfogat (lásd a **Műszaki jellemzők** című részt)

Ajánlott olajminőségek

A legjobb teljesítmény elérésére ajánljuk a Briggs & Stratton jótállási bizonylattal rendelkező olajakat. Más jó minőségű detergenstartalmú kenőolajok akkor használhatóak, ha teljesítményszint besorolásuk SF, SG, SH, SJ vagy nagyobb. Ne használjon adalékokat.

A környezeti hőmérséklet határozza meg a motor számára a megfelelő olaj viszkozitást. A feltételezett külső hőmérsékleti tartománynak leginkább megfelelő viszkozitás kiválasztására használja a diagramot.



* 40°F (4°C) alatt az SAE 30 használata nehéz indítást okoz.

** 80°F (27°C) felett a 10W-30 használata megnövekedett olajfogyasztást okoz. Gyakrabban ellenőrizze az olajsztintet.

Olaj ellenőrzése/betöltése - **2** **3** ábra

Olaj betöltése vagy ellenőrzése előtt

- Állítsa vízszintes helyzetbe a motort.
 - Az olajbetöltő területet tisztítsa meg a portól.
1. Vegye ki az olajsztintjelző palcát (G), és tiszta kendővel (2 ábra, 3 ábra) törölje le.
 2. Tegye be, és rögzítse az olajsztintjelző palcát.
 3. Vegye ki az olajsztintjelző palcát, és ellenőrizze az olajsztintet. Az olajsztintjelző pálca tele jelzésének (J) a tetején kell lennie.
 4. Ha alacsony, akkor lassan öntse az olajat a motor olajbetöltő nyílásába (H). **Ne töltse túl.** Az olaj betöltése után várjon egy percig, majd ellenőrizze az olajsztintet.
 5. Tegye vissza, és húzza meg az olajsztintjelző palcát.

Alacsony olajsztintet figyelő védőrendszer (ha be van szerelve)

Egyes motorok alacsony olajsztint érzékelőkkel vannak ellátva. Ha alacsony az olajsztint, akkor az érzékelő bekapcsolja a figyelmeztető lámpát, és leállítja a motort. Állítsa le a motort, és a motor újraindítása előtt a következő lépéseket végezze el.

- Ellenőrizze, hogy szintben van-e a motor.
- Ellenőrizze az olajsztintet. Lásd az **Olaj ellenőrzése/betöltése** című részt.
- Ha alacsony az olajsztint, akkor végezze el a megfelelő mennyiségű olaj utántöltését. Indítsa be a motort, és ellenőrizze, hogy nem világít-e a figyelmeztető lámpa (ha be van szerelve).
- Ha nem alacsony az olajsztint, akkor **ne indítsa be** a motort. Az olajellátás probléma kijávitására forduljon egy Hivatalos Briggs & Stratton szervizállomáshoz.

Ajánlott üzemanyag-minőségek

Az üzemanyag-nak meg kell felelni e követelményeknek:

- Tiszta, friss, ólommentes benzin.
- Minimális 87 oktánszám/87 AKI (91 RON). Nagy magasságban való működtetésnél, lásd alább.
- Maximum 10% etanolt (gazohol) tartalmazó benzin használható.

FIGYELEM: Ne használjon jóváhagyással nem rendelkező benzinfajtákat, mint E15 és E85. Ne keverjen olajat a benzinbe, illetve ne módosítsa a motort, hogy más üzemanyagokkal működjön. Jóváhagyással nem rendelkező üzemanyagok használata károsítja a motor alkatelemeit, és **érvényteleníti a motor garanciát.**

Az üzemanyag-ellátó rendszer kátránylerakódás elleni védelmére keverjen üzemanyag stabilizátor adalékot az üzemanyagba. Lásd **Tárolás.** Nem minden üzemanyag egyforma. Ha teljesítményproblémák jelentkeznek, akkor cseréljen üzemanyag-forgalmazót vagy cseréljen márkát. Ez a motor benzinnel történő működésre lett tanúsítva. A károsanyag-kibocsátást szabályozó rendszer EM (Motoron eszközölt módosítások).

Nagy magasságban történő használat

5 000 láb (1 524 méter) feletti magasságokban, minimum 85-ös oktánszámú/85 AKI (89 RON) benzin használható. Hogy megfelelő kibocsátású maradjon nagy magasságú beállítás szükséges. E beállítás nélküli működtetés teljesítmény csökkenést, megnövekedett üzemanyag-fogyasztást és megnövekedett károsanyag-kibocsátást okoz. Nagy magasságú beállításra vonatkozó információkért keressen meg egy Briggs & Stratton márkakereskedőt.

A nagy magassági készlettel való működtetés 2 500 láb (762 méter) alatt nem ajánlott.

Üzemanyag betöltése - **4** ábra



FIGYELMEZTETÉS



Az üzemanyag és gőzei rendkívül gyúlékony és robbanásveszélyes anyagok.



A tűz vagy a robbanás komoly égési sérüléseket vagy halált okozhat.

Üzemanyag betöltésekor

- Állítsa le a motort és hagyja legalább 2 percig hűlni, mielőtt leveszi az üzemanyagtartály-sapkát.
- Az üzemanyagtartályt szabadban vagy jól szellőző helyen töltsen fel.
- Ne töltsen túl az üzemanyagtartályt. A benzin túgulásának lehetővé tételére ne töltsen az üzemanyagtartály nyakának alja fölé.
- Az üzemanyagot szikrától, nyílt lángtól, őr lángtól, hőtől és más gyújtószerkezetektől tartsa távol.
- Ellenőrizze az üzemanyagvezetékeket, a tankot, a sapkát és az illesztéseket repedések vagy szivárgások szempontjából. Ha szükséges, cserélje ki ezeket.
- Ha kifolyik az üzemanyag, várjon a motor indítása előtt, amíg elpárolog.

1. A szennyeződéstől és nyusedéktől tisztítsa meg az üzemanyagtartály-sapka környékét. Vegye le az üzemanyagtartály-sapkát (A, 4 ábra).
2. Töltsen fel benzinnel az üzemanyagtartályt (B). A benzin túgulásának lehetővé tételére ne töltsen az üzemanyagtartály nyakának alja fölé (C).
3. Tegye vissza az üzemanyagtartály-sapkát.

A motor indítása - **5** **6** ábra



FIGYELMEZTETÉS



A berántózsínór gyors visszahúzása (visszarúgás) a kezét és a karját gyorsabban húzza a motor felé, mint ahogy azt engedni tudja.

Csonttörés, roncsolás, rándulás vagy ficam lehet az eredménye.

- A motor indításakor lassan húzza a berántózsínórt, amíg ellenállást nem érez, majd a visszahúzás elkerülésére gyorsan rántsa meg.



FIGYELMEZTETÉS



Az üzemanyag és gőzei rendkívül gyúlékony és robbanásveszélyes anyagok.



A tűz vagy a robbanás komoly égési sérüléseket vagy halált okozhat.

Motor indításakor

- Bizonyosodjon meg arról, hogy a gyújtógyertya, a kipufogódob, az üzemanyagtartály sapkája és a levegőszűrő (ha be van szerelve) a helyén van-e és rögzítve van-e.
- Ne indítózson, ha a gyújtógyertya nincs a helyén.
- Ha a porlasztó túlfolyik, akkor állítsa a szivatót (ha be van szerelve) OPEN (NYITVA)/RUN (MŰKÖDÉS) állásba, a gázsabályozót (ha be van szerelve) állítsa FAST (GYORS) állásba és indítózson, amíg a motor be nem indul.



FIGYELMEZTETÉS



MÉRGEZŐ GÁZ VESZÉLYE. Szénmonoxidot, egy olyan mérgező gázt tartalmaz a kipufogógáz, mely percek alatt képes ölni. NEM érzékelhető szaglásal vagy más érzékszervvel. Attól, hogy nem érzi a kipufogógáz szagát, még ki lehet téve a szénmonoxid gáz által előidézett veszélynek. Ha hányingert, szédülést vagy gyengeséget kezd érezni e termék használata során, akkor állítsa le, és **AZONNAL** menjen szabad levegőre. Forduljon orvoshoz. Előfordulhat, hogy szénmonoxid mérgezése van.

- KIZÁRÓLAG ablakoktól, ajtóktól és szellőzőnyílásoktól távol, a szabadban működtesse e terméket, hogy csökkentse a szénmonoxid gáz felgyülemeléséből és esetlegesen emberi tartózkodásra szolgáló hely felé áramlásából származó veszélyt.
- A gyártó utasításainak megfelelően végezze az elemes működtetésű vagy hálózati táplálású szénmonoxid riasztó beszerelését. A füstérzékelők nem érzékelik a szénmonoxid gázt.
- NE működtesse e terméket lakásokban, garázsokban, alagsorokban, kúszóterekben, fészerekben, vagy más részben zárt helyeken még akkor sem, ha a szellőztetéshez ventilátorokat használ vagy kinyitja az ajtókat és ablakokat. Gyorsan felgyülemlik a szénmonoxid az ilyen helyeken, és még a termék kikapcsolása után is órákig megmarad.
- MINDIG a hátszél irányába ill. úgy fordítsa e terméket, hogy ne áramoljon emberi tartózkodásra szolgáló hely felé a kipufogógáz.

MEGJEGYZÉS: Ezt a motort a Briggs & Stratton olaj nélkül szállítja. A motor indítása előtt, ezen útmutató útmutatásai szerint töltsön be olajat. Ha olaj nélkül indítja el a motort, akkor a motor javíthatatlanul károsodást szenved, és nem esik a garancia hatálya alá.

Megjegyzés: Egyes berendezések távvezérlővel lehetnek ellátva. A távvezérlő helyének és működésének ismertetését a berendezés útmutatójában találja meg.

1. Ellenőrizze a motorolaj-szintet. Lásd az **Olaj ellenőrzése/betöltése** című részt.
2. Ellenőrizze, hogy a berendezés hajtásszabályozó kezelőszerveit, ha vannak, ki vannak-e kapcsolva.

Karbantartás

MEGJEGYZÉS: Ha karbantartás közben megdönti a motort, akkor **ki kell üríteni az üzemanyagtartályt** és a gyújtógyertya felőli oldalnak **felé kell néznie**. Ha nem üres az üzemanyagtartály és a motort bármely más irányba megdönti, akkor a levegőszűrő és/vagy a gyújtógyertya olaj vagy a benzin szennyeződése miatt nehéz lehet az indítás.



FIGYELMEZTETÉS: Ha olyan karbantartást végez, mely az egység megdöntését igényli, akkor az üzemanyagtartálynak üresnek kell lennie ellenkező esetben kifolyhat az üzemanyag és tüzet vagy robbanást okoz.

Javasoljuk, hogy a motor és motor alkatrészek bármely karbantartását és szervizelését Hivatalos Briggs & Stratton szervizállomáson végeztesse.

MEGJEGYZÉS: Minden alkatrésznek, melyet ebbe a motorba építettek a helyén kell maradnia a megfelelő működés érdekében.

Károsanyag-kibocsátás

A károsanyag-kibocsátást szabályozó eszközök vagy a rendszer karbantartását, cseréjét vagy javítását bármely nem közúti motor javításával foglalkozó szervezet vagy személy elvégezheti. Azonban a "díjmentes" károsanyag-kibocsátás szabályozás javításához a munkát a gyár hivatalos szervizállomásán kell elvégeztetni. Lásd Károsanyag-kibocsátási garancia.

3. A gázzszabályozót (A, 5 ábra), ha be van szerelve, mozgassa a gyors helyzetbe. A motort a gázzszabályozó gyors helyzetbe állításával működtesse.
4. Amikor egy új motort először indít be, akkor ötször erősen nyomja meg a vörös indító befeckendező gombot (B). Majd minden további indításnál háromszor nyomja meg az indító befeckendező gombot (5 ábra).
Megjegyzés: Ha a motorból kifogy az üzemanyag vagy hosszabb ideig tárolták, akkor szükség lehet az ötszöri megnyomásra.
Megjegyzés: Meleg motor újraindításánál általában szükségtelen a szívatózás.
Megjegyzés: Ha túl sokszor nyomja meg az indító befeckendező szivattyú gombját, akkor a karburátorban túlfolyik a túlzott mennyiségű üzemanyag, és nehéz indítani a motort.
5. Ha a termék rendelkezik motor leállító karral (C), akkor a motorleállító kart tartsa a kar (6 ábra) ellenében.
6. Tartsa erősen a berántózsínór fogantyúját (D). Lassan addig húzza a berántózsínór fogantyúját, amíg ellenállást nem érez, majd hirtelen rántsa meg (5 ábra).
Megjegyzés: Ha a motor több kísérlet után sem indul, akkor ismétlje meg a 4., 5. és 6. lépéseket. Ha nem indul, akkor keresse fel a **BRIGGSandSTRATTON.COM** webhelyet vagy hívja az **1-800-233-3723** telefonszámot (az Egyesült Államokban).




FIGYELMEZTETÉS: A berántózsínór gyors visszahúzása

(visszarúgás) a kezét és a karját gyorsabban húzza a motor felé, mint ahogy azt engedni tudja. Törött csontok, törések, roncsolások vagy ficamok a következményei. A motor indításakor lassan húzza meg a zsinórt addig, amíg ellenállást nem érez, majd gyorsan rántsa meg, hogy elkerülje a visszarúgást.

A motor leállítása - 6 ábra

Engedje el a motorleállító kart (E). Lásd 6 ábra.

Gázzszabályozóval rendelkező motor: Mozgassa a gázzszabályozót (A, 5 ábra) a leállítás  helyzetbe.



FIGYELMEZTETÉS



Véletlen szikraképződés tüzet vagy áramütést okozhat.

A véletlen indítás balesetből eredő amputációt vagy zúzott sebeket okozhat.

Tűzveszély

Beállítások vagy javítások végzése előtt:

- Bontsa a gyújtógyertya vezetékének csatlakozását, és tartsa távol a gyújtógyertyától.
- Bontsa az akkumulátor csatlakozását a negatív pólusnál (csak elektromos indítással rendelkező motorok esetében.)
- Csak megfelelő szerszámokat használjon.
- Ne piszkálja a szabályozó rugót, összekötéseket vagy más alkatrészeket a motor sebességének növelése érdekében.
- Ugyanolyan kivételűnek kell a pótalkatrészeknek lenniük, és ugyanarra a helyre kell beszerelni azokat, mint az eredeti alkatrészeket. Lehet, hogy más alkatrészek nem teljesítenek olyan jól, károsodhat az egység és sérülés lehet az eredménye.
- Ne üsse meg a lendkereket kalapáccsal vagy egyéb kemény tárggyal, mivel a lendkerék később működés közben összetörhet.

Gyújtás ellenőrzések:

- Jóváhagyott gyújtógyertya tesztet használjon.
- Ne ellenőrizze a gyújtást, amikor a gyújtógyertya nincs a helyén.

Karbantartási táblázat

Első 5 üzemóra
<ul style="list-style-type: none">• Olajcsere
8 üzemóránként vagy naponta
<ul style="list-style-type: none">• Ellenőrizze az olajsintet• Tisztítsa meg a kipufogódob és a kezelőszervek körüli területet
Minden 25 óra elteltével vagy évente
<ul style="list-style-type: none">• Tisztítsa meg a levegőszűrőt *
Minden 50 óra elteltével vagy évente
<ul style="list-style-type: none">• Cseréljen motorolajat• Ellenőrizze a kipufogódobot és a szikrafogót
Évente
<ul style="list-style-type: none">• Cserélje le a levegőszűrőt.• Cserélje ki a gyújtógyertyát• Tisztítsa meg a léghűtőrendszert *

* Poros környezetben vagy amikor levegőből származó szilárd szennyeződés van jelen, akkor gyakrabban tisztítsa meg.

A porlasztó és a motorfordulatszám beállítása

Sohase végezzen porlasztó vagy motorfordulatszám beállítást. Gyárilag úgy állították be a porlasztót, hogy az hatékonyan működjön a leggyakrabban előforduló feltételek között. Ne piszkálja a szabályozórugót, összekapcsoló szerkezeteket vagy más alkatrészeket a motorfordulatszám változtatására. Ha bármiféle beállítás szükséges, akkor az elvégzéséért forduljon egy Hivatalos Briggs & Stratton szakszervizhez.




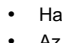
MEGJEGYZÉS: Berendezésbe történő szerelés esetén a berendezés gyártója megadja a maximális motorfordulatszámot. **Ne lépje túl** e fordulatszámot. Ha nem biztos abban, hogy mi a berendezés maximális fordulatszáma, vagy mi a gyárilag beállított motorfordulatszám, akkor segítségért forduljon egy Hivatalos Briggs & Stratton szervizközponthoz. A berendezés biztonságos és megfelelő működése érdekében kizárólag szakképzett szerviztechnikus végezze motorfordulatszám beállítását.

Gyújtógyertya csere - 7 ábra

Résmérővel (B) ellenőrizze a hézagot (A, 7 ábra). Ha szükséges, akkor állítsa vissza a hézagot. Szerelje be és az ajánlott nyomatékkal húzza meg a gyújtógyertyát. Hézag beállításához vagy a nyomatékhoz lásd a **Műszaki jellemzők** részt.


Megjegyzés: Egyes helyeken, a helyi törvények megkívánják az előtét ellenállással szerelt gyújtógyertya használatát a zavarójelek elnyomása végett. Ha ez a motor eredetileg is előtét ellenállással szerelt gyújtógyertyával volt ellátva, csakis az azonos típusút használja csere esetén.

Ellenőrizze a kipufogódobot és a szikrafogót - 8 ábra




**FIGYELMEZTETÉS**
**A járó motorok hőt termelnek. A motor alkatrészek, különösképpen a kipufogódob rendkívül felforrósodnak.**
**Ha hozzáérnek, komoly égési sérülések keletkezhetnek.**
**A gyúlékony hulladék, pl. lomb, fű, cserje stb. meggyulladhatnak.**

- Hagyja lehűlni a kipufogódobot, a motorhengert és a bordákat, mielőtt hozzáér.
- Az összegyűlt hulladékot távolítsa el a hangtompító környékéről és a henger környezetéből.
- A Kaliforniai közösségi erőforrás törvény 4442. szakasza megsértésének számít, ha erdővel, bokrokkal vagy gyepvel borított földterületen a motort úgy használják vagy működtetik, hogy kipufogórendszer nincs ténylegesen üzemképes állapotban lévő, a 4442 szakaszban meghatározott, szikrafogóval felszerelve. Más államok vagy a szövetségi törvényei hasonló törvényeket tartalmazhatnak. Lépjen kapcsolatba az eredeti gyártóval, kiskereskedővel vagy viszonteladóval e motor kipufogórendszeréhez meghatározott szikrafogó beszerzése érdekében.

Távolítsa el a kipufogódob és a henger környékéről a nyeseidéket. Repedések, korrózió vagy egyéb sérülések szempontjából ellenőrizze a kipufogódobot (A). Szerelje le a szikrafogót (B), ha be van szerelve, és sérülések vagy széntől származó eltömődés szempontjából ellenőrizze. Ha sérülést talál, akkor üzemeltetés előtt szerelje be a pótalkatrészt.

**FIGYELMEZTETÉS:** Ugyanolyan kivételnek kell a pótalkatrészeknek lenniük, és ugyanarra a helyre kell beszerelni azokat, mint az eredeti alkatrészeket. Lehet, hogy más alkatrészek nem teljesítenek olyan jól, károsodhat az egység és sérülés lehet az eredménye.

Olajcsere - 2 3 9 10 ábra

**FIGYELMEZTETÉS**
**Az üzemanyag és gőzei rendkívül gyúlékony és robbanásveszélyes anyagok.**
**A tűz vagy a robbanás komoly égési sérüléseket vagy halált okozhat.**


- Ha a felső olajbetöltő csövön keresztül engedni le az olajat, akkor az üzemanyagtartálynak üresnek kell lennie ellenkező esetben kifolyhat az üzemanyag és tüzet vagy robbanást okoz.

A fáradt olaj veszélyes hulladék és megfelelő módon kell elhelyezni. Ne öntse háztartási hulladékba. A biztonságos hulladék elhelyezéssel/újrahasznosítással kapcsolatos érdeklődjön a helyi önkormányzatnál, szervizközpontban vagy viszonteladónál.

Olaj leeresztése

Le kell a felső olajbetöltő csőből az olajat engedni (E, 10 ábra).

1. Leállított, de még meleg motornál, bontsa a gyújtógyertya vezeték csatlakozását (A), és tartsa távol a gyújtógyertyától (9 ábra).
2. Vegye ki az olajsintjelző pálcát (G, 2 ábra).
3. Ha a motor felső olajbetöltő csövén (E) keresztül engedni le az olajat, akkor a motor gyújtógyertya felőli végét (F) tartsa felfelé (10 ábra). Az olajat egy erre a célra jóváhagyott tartályba engedje le.




**FIGYELMEZTETÉS:** Ha a felső olajbetöltő csövön keresztül engedni le az olajat, akkor az üzemanyagtartálynak üresnek kell lennie ellenkező esetben kifolyhat az üzemanyag és tüzet vagy robbanást okoz. Az üzemanyagtartály kiürítéséhez addig járassa a motort, amíg az üzemanyag hiányában le nem áll.

Olaj betöltése

- Állítsa vízszintes helyzetbe a motort.
- Az olajbetöltő területet tisztítsa meg a portól.
- Az olajtérfogatot illetően lásd a **Műszaki jellemzők** című részt.

1. Vegye ki az olajsintjelző pálcát (G), és tiszta kendővel törölje le (2 ábra, 3 ábra).
2. Lassan öntse az olajat a motor olajbetöltő nyílásába (H). **Ne töltse túl.** Az olaj betöltése után várjon egy percig, majd ellenőrizze az olajsintet.
3. Tegye be, és húzza meg az olajsintjelző pálcát.
4. Vegye ki az olajsintjelző pálcát, és ellenőrizze az olajsintet. Az olajsintjelző palca tele jelzésének (J) a tetején kell lennie.
5. Tegye be, és húzza meg az olajsintjelző pálcát.

A levegőszűrő szervizelése - 11 12 ábra

**FIGYELMEZTETÉS**
**Az üzemanyag és gőzei rendkívül gyúlékony és robbanásveszélyes anyagok.**
**A tűz vagy a robbanás komoly égési sérüléseket vagy halált okozhat.**

- Soha ne indítsa úgy a motort, hogy ki van szerelve a levegőszűrő szerelvény (ha be van szerelve) vagy a levegőszűrő (ha be van szerelve).

MEGJEGYZÉS: Ne használjon sűrített levegőt vagy oldószereket a szűrő tisztítására. A sűrített levegő károsíthatja a szűrőt, és az oldószerek oldják a szűrőt.

Kétféle levegőszűrő rendszer látható, egy **Normál** és egy **Nagy kapacitású**. Állapítsa meg, hogy melyiket szerelték a motorjába, majd annak megfelelően tartsa karban.

Normál levegőszűrő - 11 ábra

A normál levegőszűrő olyan szivacsot használ, mely kimosható és újrahasználatos.

1. A (A) csavart szerelje ki a levegőszűrő szerelvény (B) felső részéről. Lásd 11 ábra.
2. A porlasztóból lehulló por bejutásának megakadályozására gondosan szerelje ki a levegőszűrő szerelvényt.
3. A szivacs elemet (C) vegye ki a levegőszűrő házából.
4. Folyékony tisztítószert vagy vízben mossa ki a szivacs elemet. Száraz kendővel préselje szárazra a szivacsot.
5. Telítse a szivacs elemet tiszta motorolajjal. A felesleges motorolaj eltávolítására tiszta kendővel préselje ki a szivacsot.
6. Tegye a légszűrő szivacsot a levegőszűrő házába.
7. Szerelje a levegőszűrő szerelvényt a porlasztóra és csavarral rögzítse.

Nagy kapacitású légszűrő - 12 ábra

Hajtogatott szűrőt használ a nagy kapacitású levegőszűrő.

1. A (A) csavart szerelje ki a levegőszűrő szerelvény (B) felső részéről. Lásd 12 ábra.
2. A porlasztóból lehulló por bejutásának megakadályozására gondosan szerelje ki a levegőszűrő szerelvényt.
3. A hajtogatott szűrőt (C) vegye ki a levegőszűrő talpából.
4. A nyesedék fellazítására enyhén ütögesse a hajtogatott szűrő kemény felületét. Ha nagyon szennyezett a hajtogatott szűrő, akkor cserélje ki egy másikra.
5. Tegye be a hajtogatott szűrőt.
6. Szerelje a levegőszűrő szerelvényt a porlasztóra és csavarral rögzítse.

A léghűtőrendszer tisztítása - 13 ábra



FIGYELMEZTETÉS



A járó motorok hőt termelnek. A motor alkatrészek, különösképpen a kipufogódob rendkívül felforrósodnak.

Ha hozzáérnek, komoly égési sérülések keletkezhetnek.



A gyúlékony hulladék, pl. lomb, fű, cserje stb. meggyulladhatnak.

- Hagyja lehűlni a kipufogódobot, a motorhengert és a bordákat, mielőtt hozzáér.
- Az összegyűlt hulladékot távolítsa el a hangtompító környékéről és a henger környezetéből.

MEGJEGYZÉS: Vízet ne használjon a motor tisztításához. A víz szennyezheti az üzemanyag-ellátó rendszert. Kéfé vagy száraz kendőt használjon a motor tisztításához.

Ez egy léghűtéses motor. A szennyeződés vagy a nyesedék akadályozhatja a légáramlást és a motor túlmelegedését okozhatja, mely gyengébb teljesítményt és rövidebb motor élettartamot okoz.

Kéfé vagy száraz kendőt használjon a nyesedék újjvédőről (A) való eltávolítására. Tartsa tisztán az összekapcsoló szerkezetet, rugókat és kezelőszerveket (B). A kipufogódob (C) körüli és mögötti területet tisztítsa meg a gyúlékony nyesedéktől (13 ábra).

Tárolás



FIGYELMEZTETÉS



Az üzemanyag és gőzei rendkívül gyúlékony és robbanásveszélyes anyagok.



A tűz vagy a robbanás komoly égési sérüléseket vagy halált okozhat.

Üzemanyag vagy olyan berendezés tárolása, amelynek üzemanyagtartályában üzemanyag van.

- Kazánoktól, tűzhelyektől, vízmelegítőtől vagy más olyan berendezésektől távol helyezze el, amelyek gyújtólánggal vagy gyújtószerkezettel vannak ellátva távol tárolja, mivel ezek meggyújthatják az üzemanyag kipárolgást.

Üzemanyag-ellátó rendszer

30 napnál hosszabb tárolás esetén az üzemanyag állottá válhat. Az állott üzemanyag sav és kátránylerakódást okoz az üzemanyag-ellátó rendszerben vagy a porlasztó fontos alkatrészein. Az üzemanyag frissen tartása érdekében **Briggs & Stratton Speciális formulájú üzemanyag kezelő és stabilizáló adalékot használjon**, ez bárhol beszerezhető, ahol Briggs & Stratton eredeti pótalkatrészeket árulnak.

Egy FRESH START® üzemanyag-töltő sapkával ellátott motorok esetén, **Briggs & Stratton FRESH START® üzemanyag stabilizáló adalékot használjon, mely csepegtető koncentrátumpatron formájában áll rendelkezésre.**

Az útmutatás szerint üzemanyag-stabilizáló hozzáadása esetén nem szükséges a benzin leeresztése a motorból. Tárolás előtt 2 percig működtesse a motort a stabilizáló üzemanyag-ellátó rendszerben való keringtetése érdekében.

Ha nem használ üzemanyag stabilizátort, akkor tárolás előtt a berendezésből le kell engedni a benzint. Addig működtesse a motort, amíg üzemanyag hiányában leáll. A frissesség megőrzésére ajánlott üzemanyag stabilizátor adalék használata a tárolótartályban.

Motorolaj

Amíg még meleg a motor cseréljen motorolajat.

MEGJEGYZÉS: Vízszintesen tárolja a motort (normál működési helyzet). Ha tárolás céljából meg van döntve a motor, akkor **ki kell üríteni az üzemanyagtartályt** és a gyújtógyertya felőli oldalnak **felé kell néznie**. Ha nem üres az üzemanyagtartály és a motort bármely más irányba megdönti, akkor a levegőszűrő és/vagy a gyújtógyertya olaj vagy a benzin szennyeződése miatt nehéz lehet az indítás.

Hibakeresés

Segítségre van szüksége? Keresse fel a **BRIGGSandSTRATTON.COM** webhelyet, vagy hívja a **1-800-233-3723** (az Egyesült Államokban) telefonszámot.

Műszaki jellemzők

Motor műszaki jellemzők

Modell	90000
Lökettérfogat	148 cm ³
Hengerfurat	65,08 mm
Lökethossz	44,45 mm
Olajtérfogat	0,54 - 0,59 l

Motor műszaki jellemzők

Modell	100000
Lökettérfogat	158 cm ³
Hengerfurat	65,08 mm
Lökethossz	47,65 mm
Olajtérfogat	0,54 - 0,59 l

Beállítási jellemzők *

Modell	90000, 100000
Gyertyahézag	0,76 mm
Gyújtógyertya nyomaték	20 Nm
Forgórész légrés	0,15 - 0,25 mm
Szívószelep hézag	0,13 - 0,18 mm
Kipufogószelep hézag	0,18 - 0,23 mm

* A motorteljesítmény csökken 3,5% értékkel minden 1 000 láb (300 méter) tengerszint feletti magasság növekedés esetén, és 1% értékkel minden 10 F (5,6 C) hőmérséklet növekedés esetén 77 F (25 C) felett. A motor kielégítően működik maximum 15 értékű lejtőn. A megengedett lejtőkre vonatkozólag lásd a berendezés kezelési útmutatóját.

Általános szerviz alkatrészek ✓

Szerviz alkatrész	Rendelési szám
Normál levegőszűrő	698369
Nagy kapacitású légszűrő	797819
Olaj – SAE 30	100005
Üzemanyagadalék	5041, 5058
Előtét-ellenállással szerelt gyújtógyertya	796112
Hosszú élettartamú platina gyújtógyertya	5062
Gyújtógyertya kulcs	89838, 5023
Gyújtógyertya tesztelő	19368

✓ Javasoljuk, hogy a motor és motor alkatrészek bármely karbantartását és szervizelését Briggs & Stratton Hivatalos szervizállomáson végeztesse.

KORLÁTOZOTT GARANCIA

A Briggs & Stratton garantálja, hogy az alább meghatározott garanciális időn belül, díjmentesen megjavítja vagy kicseréli a motornak bármely olyan részét vagy részeit, amely anyag- vagy gyártáshibás, vagy mindkettő. A javítandó termék vagy cserealkatrész szállítási költségeit, a garancia szerint a vásárlónak kell fedeznie. A garancia csak az alábbiakban meghatározott időtartamok és feltételek szerint érvényes. A garanciális szolgáltatásokkal kapcsolatosan az ügyfélszolgálati térképünkön keresse meg a legközelebbi Hivatalos szervizállomást, melyet a www.BRIGGSandSTRATTON.com webhelyen találhat meg. A vásárlónak kapcsolatba kell lépnie a Hivatalos szervizállomással, majd lehetővé kell tennie a Hivatalos szervizállom számára a motor átvizsgálását és tesztelését.

Más kifejezett garancia nem létezik. A vélelmezett garanciák, beleértve az eladhatóságra és egy bizonyos célra való megfelelőségre vonatkozó garanciát, a vásárlás napjától számított egy évre vagy a törvény által megállapított mértékre korlátozódnak. Minden vélelmezett garancia ki van zárva. A járulékos vagy közvetett károkért a felelősség olyan mértékben van kizárva, mely kizárást a törvény megengedi. Egyes országokban vagy államokban nem engedélyeznek olyan korlátozást, hogy mennyi ideig tart valamely vélelmezett garancia, és bizonyos országokban vagy államokban nem engedik meg a járulékos vagy közvetett károk kizárását vagy korlátozását, így lehetséges, hogy a fenti korlátozás és kizárás Önre nem vonatkozik. Jelen garancia meghatározott jogokat biztosít számára, és elképzelhető, hogy egyéb jogai is vannak, ezek azonban országról-országra illetve államról-államra változnak **.

NORMÁL GARANCIÁLIS FELTÉTELEK * ▲

Márka/terméktípus	Fogyasztói felhasználás	Kereskedelmi felhasználás
Vanguard™ ■	3 év	3 év
Kereskedelmi Turf Series motor™	2 év	2 év
Extended Life Series™; I/C®; Intek™ I/C®, Intek™ Pro;™ Professional Series™ Dura-Bore™ öntöttvas hengerhüvellyel; 850 Series™ Dura-Bore™ öntöttvas hengerhüvellyel; Snow Series MAX™ Dura-Bore™ öntöttvas hengerhüvellyel Minden más Briggs & Stratton Dura-Bore™ öntöttvas hengerpersellyel rendelkező motor	2 év	1 év
Minden más Briggs & Stratton motor	2 év	90 nap

* Ezek a normál garanciális kikötéseink, de alkalmilag előfordulhat további garanciális kikötés, mely a kiadás idején nem került meghatározásra. A motorjára vonatkozó garanciális kikötések jelenlegi listájának megismeréséhez keresse fel a BRIGGSandSTRATTON.COM webhelyet vagy vegye fel a kapcsolatot egy Hivatalos Briggs & Stratton szervizállomással.

** Ausztráliában – Olyan garanciákkal rendelkeznek termékeink, melyek nem zárhatóak ki az Ausztrál fogyasztói törvény szerint. Bármely súlyos hiba esetén cserére vagy visszatérítésre, míg bármely más ésszerűen előrelátható okból bekövetkező veszteség vagy kár miatt kártérítésre jogosult. Továbbá jogosult a termékek javítására vagy cseréjére, ha nem elfogadható minőségű a termék, és nem tekinthető súlyos hibának a hiba. A garanciális szolgáltatásokkal kapcsolatosan az ügyfélszolgálati térképünkön keresse meg a legközelebbi Hivatalos szervizállomást, mely a BRIGGSandSTRATTON.COM webhelyen található meg, vagy hívja az 1300 274 447 számot, vagy küldjön emailt a salesenquiries@briggsandstratton.com.au email címre, illetve írjon levelet a Briggs & Stratton Australia Pty Ltd, 1 Moorebank Avenue, Moorebank, NSW, Australia, 2170 címre.

▲ Othoni készenléti generátor alkalmazások: 2 éves fogyasztói használat esetén. Nincs jövedelemszerzési célú használatra vonatkozó garancia. E garancia nem vonatkozik olyan motorokra, melyeket elsődleges erőforrásként használt berendezésben alkalmaznak segédberendezés helyett. **Versenyre vagy kereskedelmi illetve kölcsönzött járműben használt motorokra a garancia nem vonatkozik.**

■ Készenléti generátorokban alkalmazott Vanguard motor: 2 éves fogyasztói használat esetén, nem jövedelemszerzési célú használatra vonatkozó garancia. Kisteherautóknál alkalmazott Vanguard motor: 2 éves fogyasztói használat esetén, 2 éves jövedelemszerzési célú használat esetén. 3 hengeres folyadékhűtésű Vanguard motor: lásd Briggs & Stratton 3/LC motortulajdonos garanciális nyilatkozata.

A garanciaidő az első kiskereskedelmi fogyasztó vagy kereskedelmi végfogyasztó általi vásárlás dátumával kezdődik, és az a fenti táblázatban megadott időszakra szól. A "fogyasztói felhasználás" az eredeti kiskereskedelmi fogyasztó személyes lakóhelyi háztartási felhasználását jelenti. A "kereskedelmi felhasználás" minden egyéb felhasználást jelent, beleértve a kereskedelmi, jövedelemtermelő és bérleti célú felhasználást. Ha egy motor egyszer már kereskedelmi használatba került, akkor ezt követően a jelen garancia szempontjából kereskedelmi felhasználású motornak kell tekinteni.

Garancia bejegyzésre nincs szükség ahhoz, hogy a Briggs & Stratton termékekre garanciát kapjanak. Őrizze meg a vásárlást igazoló nyugtát. Ha nem igazolja az eredeti beszerzés dátumát a garanciális szerviz igénylésének időpontjában, akkor a garanciális időszak meghatározásához a termék gyártási időpontját veszik figyelembe.

A garanciájáról

A Briggs & Stratton készséggel fogadja a garanciális javításokat, és elnézést kér a kellemetlenségeikért. Garanciális javítást bármely Hivatalos szervizállomás végezhet. A legtöbb garanciális javítást rutinszerűen végeznek, de néhány esetben előfordulhat, hogy nem indokolt a garanciális javításra vonatkozó igény. Azon félreértések elkerülése végett, amelyek előfordulhatnak a vevő és a kereskedő között, az alábbiakban felsorolunk néhány olyan hibákat, melyre a garancia nem terjed ki.

Normális elhasználódás: A motorok, mint minden mechanikai eszköz, a jó működéshez időszaki alkatrész szervizelést és cserét igényel. A garancia nem terjed olyan javításra, mely az alkatrész vagy a motor normál működése során fellépő elhasználódása miatt válik szükségessé. Garanciális igény nem érvényesíthető, ha a motor sérülését helytelen használat, a rutin karbantartás hiánya, szállítás, kezelés, raktározás vagy helytelen üzembe helyezés okozta. A garancia hasonlóképpen érvénytelenné válik, ha a motor típusátábláját eltávolítják vagy a motort megváltoztatják illetve módosítják.

Helytelen karbantartás: A motor élettartama függ az üzemelés körülményeitől és a karbantartás gondosságától. Bizonyos alkalmazási helyeken, például talajmegmunkáló gépekben, szivattyúban és forgóképes fűnyíróban nagyon gyakran poros, piszkos körülmények között üzemel a motor, melynek következtében idő előtti kopás lép fel. A garancia nem terjed ki az olyan kopásra, amelyet piszkos, por, a gyújtógyertya tisztítóhomok vagy a nem megfelelő karbantartás következtében bejutó egyéb koptatóanyag okoz.

Ez a garancia csak a motorral kapcsolatos hibás anyagokra, illetve nem megfelelő kidolgozásra vonatkozik, nem pedig annak a berendezésnek a cseréjére vagy árának visszatérítésére, amelyre az illető motor fel van szerelve. Nem terjed ki továbbá a garancia az alábbi okok miatt szükségessé váló javításokra:

- 1 A nem eredeti Briggs & Stratton alkatrészek által okozott problémákra.
- 2 Olyan, a berendezésekre tartozó kezelőszervek vagy felszerelések, melyek megakadályozzák az indítást, csökkentik a motorteljesítményt vagy rövidítik a motor élettartamát. (Ilyenkor forduljon a berendezésgyártóhoz.)
- 3 Lyukas porlasztómembrán, eltömődött üzemanyagcső, akadó szelep vagy minden egyéb olyan károsodás, amelyet szennyezett vagy állott üzemanyag használata okoz.

- 4 Olyan alkatrészek, amelyek azért repedtek meg vagy törtek el, mert a motort nem elegendő vagy szennyezett kenőolajjal vagy nem megfelelő fajtájú kenőolajjal működtették (ellenőrizze és szükség esetén töltsse fel, illetve cseréljen olajat az ajánlott időközökben.) Az OIL GUARD rendszer esetleg nem állítja le a járó motort. Motor meghibásodás fordulhat elő, ha az olajszintet nem megfelelően biztosítják.
- 5 A nem a Briggs & Stratton által gyártott tartozékok vagy részesegységek, mint tengelykapcsolók, sebességváltók, távvezérlők, stb. javítására vagy beszbályozására.
- 6 Olyan alkatrész-károsodásra vagy kopásra, melyet a levegőszűrő nem megfelelő karbantartása illetve összeszerelése miatt a motorba bekerülő por, illetve nem eredeti levegőszűrő vagy levegőszűrő tartály használata okozott. A javasolt időközökben a Kezelési útmutatóban leírtak szerint tisztítsa meg és/vagy cserélje ki a szűrőt.
- 7 Olyan alkatrészekre, amelyek túlpörgés vagy túlmelegedés miatt károsodtak, melyet a hűtőbordákat vagy a lendkerék környékét eltömő vagy azokra ráakadó fű, nyesedék vagy piszok okozott, vagy az olyan károkkra, amelyeket zárt térben nem megfelelő szellőzés melletti üzemelés okozott. A Kezelési útmutatóban megjelölt időközökben a portól tisztítsa meg a motort.
- 8 Az olyan motor- vagy berendezésrészekre, amelyek a laza motorfelfüggesztés, laza kések, kiegyensúlyozatlan kések vagy laza illetve kiegyensúlyozatlan járókerekek, a berendezésnek a motor főtengelyére való nem megfelelő csatlakoztatása, túlpörgés vagy egyéb helytelen üzemeltetés által kiváltott túlzott rezgés miatt törtek el.
- 9 Olyan meghajlott vagy eltörött főtengelyre, amelyet az okozott, hogy szilárd test akadt be a forgóképes fűnyíró késébe, illetve melynek oka az volt, hogy túlzottan megfeszítették az ékszíjat.
- 10 A napi beállítás vagy a motor beszbályozása.
- 11 Motor- vagy motoralkatrész-hiba, azaz égőtér, szelepek, szeleppülések, szelepvégelemek vagy leégett indítómotor-tekercek, melyet valamilyen alternatív üzemanyag például cseppfolyós kőolaj, földgáz, 10%-nál több etanol tartalmú kevert benzint stb. használata okozott.

Garanciális szervizszolgáltatás végzése csak Hivatalos Briggs & Stratton szervizállomáson keresztül lehetséges. A legközelebbi Hivatalos szervizállomást a BRIGGSandSTRATTON.COM webhelyén található meg, vagy hívja a 1-800-233-3723 (az Egyesült Államokban) a telefonszámot.

Bendra informacija

Šioje instrukcijoje yra saugumo informacija apie pavojus ir riziką kuriuos kelia varikliai ir kaip jų išvengti. Joje taip pat yra patalpinta informacija apie teisingą variklio naudojimą ir aptarnavimą. Kadangi Briggs & Stratton nežino kurioje įrangoje bus naudojamas tam tikras variklis, Jūs turite atidžiai perskaityti ir suprasti šią ir įrangos instrukcijas.

Išsaugokite šias originalias instrukcijas ateičiai.

Žemiau užsirašykite variklio modelį, tipą, kodus ir įsigijimo datą. Šie skaičiai bus reikalingi naujų dalių užsakymui arba remontui atlikti. Šie skaičiai yra užrašyti ant Jūsų variklio (žiūrėkite **Savybės ir valdymas** skyrių).

Įsigijimo data: _____
Mėnuo/Diena/Metai

Variklio modelis: _____
Modelis: Tipas: Kodas:

Galingumo kategorijos: Kiekvieno benzininio variklio modelio galingumo kategorija yra nusakoma SAE (Society of Automotive Engineers - Automobilių projektuotojų sąjunga) kodu Nr. J1940 (Mažų variklių galingumo ir sukimo momento įvertinimo procedūra), ir vertinama pagal SAE J1995. Sukimo momento reikšmės varikliams, ant kurių nurodyta „rpm“ (aps. per min.), yra pamatuotos prie 2 600 aps./min., o visų kitų variklių prie 3 060 aps./min.; arkljo jėgų reikšmės yra pamatuotos prie 3 600 aps./min. Galingumo kreivės yra pateiktos tinklalapyje www.BRIGGSandSTRATTON.COM. Grynosios galingumo reikšmės yra pamatuotos instaliavus išmetimo dujų ir oro valymą, o bendrosios galingumo reikšmės yra nustatytos be šių priedų. Reali bendroji variklio galia bus aukštesnė nei grynoji variklio jėga ir priklausys, tarp kitų veiksnių, nuo darbo aplinkos sąlygų ir variklių modifikacijos. Dėl plataus įrangos, kurioje yra įrengti varikliai, asortimento, veiksnių, jūsų įsigytas benzininis variklis gali neišsvystyti nurodytų arkljo jėgų, jį naudojant vienoje arba kitoje įrangoje. Šis skirtumas atsiranda dėl daugelio veiksnių, įskaitant, bet neapsiribojant jais, skirtingas variklio dalis (oro valymas, dujų išmetimas, baterijos krovimas, aušinimas, kuro tiekimas, kuro siurblys ir t. t.), naudojimo apribojimai, naudojimo sąlygos (temperatūra, drėgmė, altitudė), variklio modifikacija. Dėl gamybos apimčių apribojimo „Briggs & Stratton“ gali pakeisti didesnio galingumo variklį šios serijos varikliu.

Operatoriaus saugumas

SAUGUMO IR KONTROLINIAI SIMBOLIAI



Saugumo ženklas yra naudojamas apibūdinti saugumo informaciją apie pavojus, kurių pasekmė gali būti trauma. Žodžiai (PAVOJAUS, DĖMESIO, ĮSPĖJIMAS) naudojami su ženklais apibūdinti galimybę gauti kelias traumas. Taip pat pavojaus ženklas gali būti naudojamas pavojaus tipui apibūdinti.

PAVOJAUS ženklas nusako pavojų, kurio pasekmė gali būti mirtis arba rimta trauma.

DĖMESIO ženklas nusako pavojų, kurio, jo nepaisymo atveju, pasekmė gali būti mirtis arba rimta trauma.

ĮSPĖJIMAS nusako pavojų, kurio nepaisant, gali kilti mažesnė arba didesnė trauma.

PASTABA nurodo situaciją, kai gali būti sugadintas variklis.

DĖMESIO
Tam tikri šio produkto komponentai bei papildoma įranga turi savo sudėtyje chemines medžiagas kurios gali sukelti vėžį bei neigiamai įtakoti sveikatą. Nuplaukite rankas po naudojimosi.

DĖMESIO
Variklio išmetamosios dujos turi savo sudėtyje cheminių medžiagų, žinomų Kalifornijos valstijoje, kaip sukeliančias vėžį, apsigimimus arba kitaip veikiančias paveldimumą.

DĖMESIO
Briggs & Stratton™ varikliai nėra skirti ir negali būti naudojami kaip energijos tiekimo šaltinis: pramoginiams kartingams, gokartams, vaikiškiems, pramogų ar sportiniams triračiams, keturračiams motociklams (ATVs); motociklams, transporto priemonėms su oro pagalve, skraidymo aparatams arba „Briggs & Stratton“ nepatvirtintoms transporto priemonėms, naudojamoms lenktynėse. Daugiau informacijos apie produktus lenktynėms ieškokite interneto svetainėje www.briggsracing.com. Dėl naudojimo universalioms transporto priemonėms arba su triračiais, keturračiais motociklais (ATVs) prašome kreiptis į „Briggs & Stratton“ variklių taikymo centrą tel. 1-866-927-3349. Variklio naudojimas ne pagal paskirtį gali sukelti sunkius sužeidimus ar net mirtį.

PASTABA: Jūs gaunate variklį iš Briggs & Stratton be alyvos. Patikrinkite alyvos lygį prieš variklio užvedimą. Jeigu bandysite užvesti variklį be alyvos, jis bus sugadintas ir Jūs neteksite garantijos.



DĖMESIO



Kuras ir jo garai yra labai degūs ir gali sprogti.
Ugnis arba sprogimas gali jus nudeginti arba užmušti.

Pildami benzina

- Išjunkite variklį ir, prieš nuimdami kuro bako kamštį, leiskite varikliui bent 2 min. atvėsti.
- Pilkite kurą į baką tik lauke arba labai gerai vėdinamoje patalpoje.
- Neperpilkite kuro bako. Kadangi kuras gali plėstis, nepilkite virš apatinės kaklelio ribos.
- Laikykite kurą kuo toliau nuo kibirkščių, atviros ugnies, karščio ir kitų ugnies šaltinių.
- Pastoviai tikrinkite kuro žarneles, baką, dangtį ir bako tvirtinimus tam, kad nebūtų jokių plyšių ar kuro nutekėjimo. Jei reikia, pakeiskite susidėvėjusias ar pažeistas dalis.
- Jeigu kuras išsilieja, prieš vesdami variklį, palaukite, kol jis išgaruos.

Prieš įjungiant variklį

- Patikrinkite ar uždegimo žvakė, duslintuvas, kuro bako dangtis ir oro filtras (jeigu toks yra) yra savo vietose.
- Neveskite variklio esant išsuktai uždegimo žvakei.
- Jeigu variklio karbiuratoriuje yra kuro perteklius, nustatykite droselį (jeigu toks yra) į OPEN/RUN padėtį, nustatykite reguliatorių (jeigu toks yra) į fast padėtį ir veskite variklį iki užsives.

Dirbant su įranga

- Neverskite variklio arba įrangos ant šono, nes gali išsilieti kuras.
- Nebandykite droseliu sustabdyti variklio.
- Niekada neveskite ir nedirbkite su varikliu, kuriame nėra oro filtro mazgo (jeigu toks yra) arba oro filtro (jeigu toks yra).

Keisdami alyvą

- Jeigu Jus išpilate alyvą per alyvos įpylimo vamzdelį, kuro bakas turi būti tuščias, nes kuras gali išsilieti ir sukelti gaisrą arba sprogimą.

Įrangos vertimas aptarnavimui atlikti

- Atlikinėdami aptarnavimą, kai įranga turi būti apversta, įsitikinkite kad kuro bakas yra tuščias, nes gali išsilieti kuras ir įvykti gaisras arba sprogimas.

Transportuojant įrangą

- Transportuoti įrangą galima tik esant TUŠČIAM kuro bakui arba su uždaryta kuro sklende i

Sandėliuojant kurą arba įrangą su kuru bake

- Laikykite kuo toliau nuo krosnių, voryklių, vandens šildytuvų arba kitos įrangos, kuri veikia esant atvirai liepsnai, nes gali užsiliepsnoti kuro garai.



DĖMESIO



Vedamas variklis sukelia kibirkštį.
Kibirkštis gali uždegti netoliese esančius degius garus arba dujas.
Gali įvykti sprogimas ir kilti gaisras.

- Jeigu netoliese yra gamtinių ar suskystintų dujų nutekėjimas, nbandykite vesti variklio.
- Nenaudokite koncentruotų paleidimo skysčių varikliui užvesti, nes jų garai yra lengvai užsiliepsnojantys.



DĖMESIO



NUODINGŲ DUJŲ PAVOJUS. Variklio išmetamųjų dujų sudėtyje yra anglies monoksidas, nuodingos dujos kurios gali nužudyti. Jos yra nematomos, bekvapės ir beskonios. Net jeigu jus nejauciate išmetamųjų dujų garus, Jūs vis tiek esate veikiami anglies monoksido dujomis. Jeigu Jums darosi silpna arba svaigsta galva, naudojant šį produktą, išjunkite jį ir nedelsdami išeikite į gryną orą. Apsilankykite pas daktarą. Jūs galite būti apsinuođę anglies monoksidu.

- Naudokite šį produktą TIK lauke kuo toliau nuo langų, durų arba ventiliacinių angų, tam kad sumažinti anglies monoksido susikaupimo ir patekimo riziką į uždarus plotus.
- Sumontuokite maitinimo elementų valdomus arba prijungtus prie elektros tinklo (su maitinimo elementų palaikymu) anglies monoksido detektorius pagal gamintojo instrukciją. Dūmo detektoriai negali aptikti anglies monoksido dujų.
- Nenaudokite šio produkto namuose, garažuose, rusiuose, angaruose arba kituose dalinai uždaruose plotuose, net jeigu juose yra naudojami ventiliatoriai arba atidaromos durys arba langai. Anglies monoksidas greitai kaupiasi tokiose vietose ir gali užsilaikyti kelias valandas, net jeigu šis produktas yra išjungtas.
- VISADA orientuokite produktą pavėjui ir kreipkite variklio išmetamųjų dujų vamzdį nuo uždarytų plotų.



DĖMESIO



Greitas starterio susisukimas gali patraukti ranką greičiau, negu jūs spėsite paleisti rankenėlę.
Jums gali lūžti kaulai, atsirasti nubrozdinimai, sumušimai ir pasitempti sausgyslės.

- Norėdami užvesti variklį, lėtai traukite už virvės kol pajusite pasipriešinimą, o tada staigiu ir greitu judėsiu užveskite variklį.
- Prieš pradėdami vesti variklį, pasistenkite pašalinti visą variklio/įrangos apkrovą.
- Įranga, tiesiogiai tvirtinama prie variklio, kaip pvz.: peiliai, skriemuliai, krumpliaračiai ir t.t., turi būti patikimai fiksuota.



DĖMESIO



Besisukančios dalys gali įtraukti rankas, kojas, plaukus, aprangą arba kokį daiktą.
Jums gali traumuoti ar net nuplėšti ranką arba koją.

- Naudokitės įranga tik esant apsaugoms savo vietoje.
- Nelieskite rankomis ir kojomis besisukančių dalių.
- Pariškite ilgus plaukus ir nusiimkite papuošalus.
- Nesivilkite laisvų rūbų su laisvai kabančiais diržais arba kitais aksesuarais, kurie variklio gali būti įtraukti.



DĖMESIO



Veikiantys varikliai skleidžia šilumą. Variklio dalys, ypač duslintuvas, labai įkaista.



Neatsargiai prisilietę, galite nudegti.

Susikaupusios lengvai užsiliepsnojančios medžiagos, tokios kaip lapai, žolė ir t.t. gali užsidegti.

- Leskite duslintuvui, variklio cilindriui ir briaunoms atvėsti prieš jas liesdami.
- Išvalykite žolę aplink duslintuvą ir cilindrą.
- Naudojantis varikliu miške, krumuose arba vėjoje be kibirkšties gaudiklio išmetimo sistemoje yra Kalifornijos vasltijos viešųjų išteklių kodekso, 4442 skyriaus pažeidimas. Kitose valstijose gali galioti panašūs įstatymai. Jus galite įsigyti kibirkšties gaudyklį, pritaikytą Jūsų išmetimo sistemai, pas originalios įrangos gamintoją, pardavėją arba atstovą.



DĖMESIO



Netyčia atsiradusi kibirkštis gali sukelti gaisrą arba elektros smūgį.
Atsitiktinis variklio paleidimas gali jus sunkiai traumuoti.
Ugnies pavojus



Prieš variklio reguliavimą ir taisymą:

- Atjunkite uždegimo žvakės laidą ir laikykite jį toliau nuo uždegimo žvakės.
- Atjunkite akumuliatorių (varikliuose su elektriniu užvedimu).
- Naudokite tik specialius įrankius.
- Nelieskite reguliatoriaus spyruoklės arba kitų variklio dalių, galinčių paveikti variklio greitį.
- Atsarginės dalys turi būti vienodos ir sumontuotos toje pačioje vietoje kur buvo sumontuotos originalios dalys. Neoriginalios dalys gali sugadinti įrangą, pabloginti jos veikimą, traumuoti Jus.
- Nedaužykite smagračio plaktuku arba kietu daiktu. Jis gali subyrėti.

Kibirkšties tikrinimas:

- Naudokite patvirtintą žvakės testerį.
- Netikrinkite kibirkšties esant išsuktai uždegimo žvakei.

Savybės ir valdymo elementai

Apžiūrėkite paveikslėlį **1** kuriame pavaizduotas variklis ir savo variklį kad susipažinti su jo savybėmis ir valdymo elementais.

- A. Variklio identifikacija
Modelis Tipas Kodas
- B. Uždegimo žvakė
- C. Primeris (kuro siurblys)
- D. Kuro bakas ir dangtis
- E. Oro filtras
- F. Rankinio starterio rankena
- G. Alyvos lygio matuoklis
- H. Duslintuvas
Duslintuvo apsauga (jeigu yra įrengta)
Kibirkščių gaudyklis (jeigu yra įrengtas)
- I. Greičio reguliatorius (jeigu yra įrengtas)

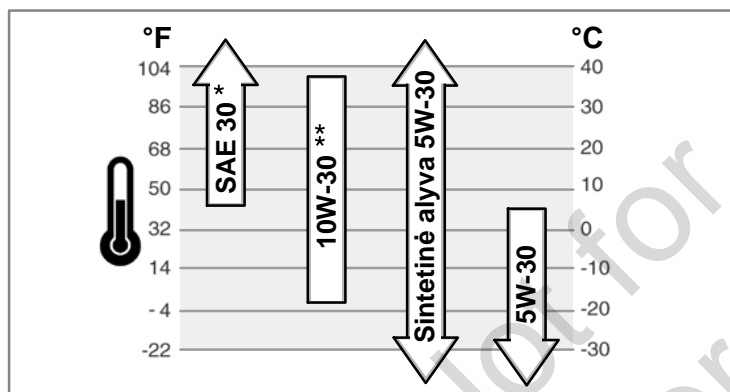
Veikimas

Alyvos talpa (ieškokite **Techninė informacija** skyriuje)

Alyvos Rekomendacijos

Geresniam variklio veikimui mes rekomenduojame naudoti tik Briggs & Stratton sertifikuotas alyvas. Galima naudoti aukštos kokybės alyvą, klasifikuotą kaip "SF, SG, SH, SJ" klases, arba aukštesnes klases. Nenaudokite jokių specialių priedų alyvoms.

Alyvos klampumas priklauso nuo aplinkos temperatūros. Lentelėje parinkite alyvos klampumą, atitinkantį jūsų gyvenamosios vietos oro sąlygas.



- * Jeigu SAE 30 alyva yra naudojama žemiau negu 40°F (4°C) temperatūroje, variklį bus sunkiau užvesti.
- ** 10W-30 alyvos naudojimas esant temperatūrai aukščiau 80°F (27°C) privers variklį sunaudoti daugiau alyvos. Dažniau tikrinkite alyvos lygį.

Kaip patikrinti alyvos lygį/įpilti alyvos - Pav. 2 3

Prieš alyvos įpylimą ir jos lygio tikrinimą

- Pastatykite variklį horizontaliai.
- Išvalykite alyvos įpylimo vietą nuo purvo.
- 1. Išsukite alyvos lygio matuoklį (G) ir išvalykite jį švariu audeklu (Pav. 2, Pav. 3).
- 2. Įdėkite ir užsukite alyvos lygio matuoklį.
- 3. Išsukite matuoklį ir patikrinkite alyvos lygį. Alyvos lygis turi būti ties full žyme (J) matuoklyje.
- 4. Jeigu alyvos lygis yra žemas, lėtai įpilkite alyvą į variklį (H). **Neperpilkite.** Palaukite vieną minutę ir patikrinkite alyvos lygį.
- 5. Įdėkite ir užsukite alyvos lygio matuoklį

Apsaugos sistema nuo nepakankamo alyvos kiekio (jeigu yra sumontuota)

Tam tikruose varikliuose yra įrengtas nepakankamo alyvos kiekio daviklis. Jeigu variklyje yra nepakankamai alyvos, daviklis aktyvuos įspėjimo lemputę arba sustabdys variklį. Sustabdykite variklį ir atlikite sekančius žingsnius prieš paleisdami variklį.

- Įsitinkinkite kad variklis yra horizontalioje padėtyje.
- Patikrinkite alyvos lygį. Perskaitykite skyrių **Kaip tikrinti alyvos lygį/įpilti alyvą.**
- Jeigu alyvos lygis yra žemas, įpilkite alyvos. Užveskite variklį ir įsitinkinkite kad įspėjimo lemputė (jeigu tokia yra) nedega.
- Jeigu alyvos lygis nėra žemas, **neveskite** variklio. Susisieki su įgaliotu Briggs & Stratton serviso atstovu. Jis išspręs alyvos problemą.

Kuro rekomendacijos

Benzinas turi atitikti šiuos reikalavimus:

- Švarus, šviežias neetilnuotas benzinai.
- Minimalus oktaninis skaičius - 87/87 AKI (91 RON). Darbui aukštesnėse, žiūrėkite žemiau.
- Benzinai, kurio sudėtyje yra iki 10 % etanolio (gasoholio), yra priimtinas.

ISPĖJIMAS: Nenaudokite nesertifikuotą benziną, tokį kaip E15 ir E85. Nemašykite benzino su alyva ir nebandykite perdaryti variklio, kad jis būtų varomas kitu kuru. Tai sugadins variklį ir **Jūs neteksite garantijos.**

Tam kad apsaugoti kuro sistemą nuo nusidėvėjimo, sumaišykite benziną su kuro stabilizatoriumi. Perskaitykite skyrių **Sandėliavimas.** Benzinai nėra vienodas. Jeigu variklis blogai veiks, pakeiskite kuro tiekėją arba benzino markę. Šis variklis yra sertifikuotas naudoti benzinu kaip degalais. Išmetamųjų dujų kontrolės sistemą EM (Variklio modifikacija).

Darbas kalnuose

Kalnuose virš 5000 pėdų (1524 metrų), reikia naudoti benziną kurio oktaninis skaičius yra 85 (mažiausiai)/85 AKI (89 RON). Tam kad variklio išmetimas kalnuose atitiktų aplinkosaugos reikalavimus yra reikalingas reguliavimas. Be reguliavimo variklis blogiau veiks, padidės kuro suvartojimas ir išmetimo dujų koncentracija. Norėdami atlikti reguliavimą, kreipkitės į įgaliotą Briggs & Stratton serviso atstovą.

Darbui aukštesnėse žemiau 2,500 pėdų (762 metrai) didelės altitudės reguliavimas nėra būtinas.

Kaip įpilti benziną - Pav. 4



DĖMESIO



Kuras ir jo garai yra labai degūs ir gali sprogti.

Ugnis arba sproginimas gali jus nudeginti arba užmušti.

Pildami benziną

- Išjunkite variklį ir, prieš nuimdami kuro bako kamštį, leiskite varikliui bent 2 min. atvėsti.
- Pilkite kurą į baką tik lauke arba labai gerai vėdinamoje patalpoje.
- Neperpilkite kuro bako. Kadangi kuras gali plėstis, nepilkite virš apatinės kaklelio ribos.
- Laikykitės kurą kuo toliau nuo kibirkščių, atviros ugnies, karščio ir kitų ugnies šaltinių.
- Pastoviai tikrinkite kuro žarnėles, baką, dangtį ir bako tvirtinimus tam, kad nebūtų jokių plyšių ar kuro nutekėjimo. Jei reikia, pakeiskite susidėvėjusias ar pažeistas dalis.
- Jeigu kuras išsilies, prieš vesdami variklį, palaukite, kol jis išgaruos.

1. Nuvalykite aplink kuro bako dangtį. Nuimkite dangtį (A, Pav. 4).
2. Įpilkite dyzeliną į kuro baką (B). Kadangi kuras gali plėstis, nepilkite virš apatinės kaklelio ribos (C).
3. Užsukite kuro bako dangtį.

Kaip užvesti variklį - Pav. 5 6



DĖMESIO



Greitas starterio susisukimas gali patraukti ranką greičiau, negu jūs spėsite paleisti rankenėlę.

Jums gali lūžti kaulai, atsirasti nubrozdinimai, sumušimai ir pasitempti sausgyslės.

- Norėdami užvesti variklį, lėtai traukite už virvės kol pajusite pasipriešinimą, o tada staigi ir greitai judėsiu užveskite variklį.



DĖMESIO



Kuras ir jo garai yra labai degūs ir gali sprogti.

Ugnis arba sproginimas gali jus nudeginti arba užmušti.

Prieš įjungiant variklį

- Patikrinkite ar uždegimo žvakė, duslintuvas, kuro bako dangtis ir oro filtras (jeigu toks yra) yra savo vietose.
- Neveskite variklio esant išsuktai uždegimo žvakei.
- Jeigu variklio karbiuratoriuje yra kuro perteklius, nustatykite droselį (jeigu toks yra) į OPEN/RUN padėtį, nustatykite reguliatorių (jeigu toks yra) į fast padėtį ir veskite variklį iki užsives.



DĖMESIO





NUODINGŲ DUJŲ PAVOJUS. Variklio išmetamųjų dujų sudėtyje yra anglies monoksidas, nuodingos dujos kurios gali nužudyti. Jos yra nematomos, bekvapės ir beskonios. Net jeigu jus nejauciate išmetamųjų dujų garus, Jūs vis tiek esate veikiami anglies monoksido dujomis. Jeigu Jums darosi silpna arba svaigsta galva, naudojant šį produktą, išjunkite jį ir nedelsdami išeikite į gryną orą. Apsilankykite pas daktarą. Jūs galite būti apsinuodę anglies monoksidu.

- Naudokite šį produktą TIK lauke kuo toliau nuo langų, durų arba ventiliacinių angų, tam kad sumažinti anglies monoksido susikaupimo ir patekimo riziką į uždarus plotus.
- Sumontuokite maitinimo elementų valdomus arba prijungtus prie elektros tinklo (su maitinimo elementų palaikymu) anglies monoksido detektorius pagal gamintojo instrukciją. Dūmo detektoriai negali aptikti anglies monoksido dujų.
- Nenaudokite šio produkto namuose, garažuose, rusiuose, angaruose arba kituose dalinai uždaruose plotuose, net jeigu juose yra naudojami ventiliatoriai arba atidaromos durys arba langai. Anglies monoksidas greitai kaupiasi tokiose vietose ir gali užsilaikyti kelias valandas, net jeigu šis produktas yra išjungtas.
- VISADA orientuokite produktą pavėjui ir kreipkite variklio išmetamųjų dujų vamzdį nuo uždaru plotų.

PASTABA: Jus gaunate variklį iš Briggs & Stratton be alyvos. Patikrinkite alyvos lygį prieš variklio užvedimą. Jeigu bandysite užvesti variklį be alyvos, jis bus sugadintas ir Jus neteksite garantijos.

Pastaba: Kai kurioje įrangoje yra montuojami nuotoliniai valdymo įrenginiai. Jų padėtį ir veikimo būdą galite rasti įrangos naudojimo instrukcijoje.

- Patikrinkite alyvos lygį. Žiūrėkite skyrių **Kaip patikrinti alyvos lygį/Įpilti alyvo.**
- Įsitinkite kad įrangos kontrolės mechanizmai yra išjungti.
- Nustatykite greičio reguliatorių (A, Pav. 5), jeigu toks yra, į fast  padėtį. Dirbkite su varikliu tik reguliatoriui esant fast  padėtyje.

- Paleisdami pirmą kartą naują variklį, paspauskite raudoną kuro siurblio galvutę (B) penkis kartus. Kai variklis nėra naujas, kuro siurblio galvutę užtenka paspausti tris kartus (Pav. 5).

Pastaba: Jeigu baigėsi benzinas arba variklis buvo sandėliuojamas tam tikrą laiką, kuro siurblio galvutę gali tekti paspausti penkis kartus.

Pastaba: Pumpavimas dažnai yra nereikalingas, jeigu variklis yra šiltas.

Pastaba: Jeigu paspausite primerio mygtuką per daug kartų, karbiuratoriuje susidarys kuro perteklius ir variklis sunkiai užsives.

- Jeigu įrangoje yra variklio išjungimo svirtis (C), laikykite ją prieš rankeną (Pav. 6).
- Paimkite rankinio starterio rankeną (D). Traukite rankinio starterio virvę kol pajusite pasipriešinimą, o tada staigiu judėsiu užveskite variklį (Pav. 5).

Pastaba: Jeigu variklis neužsiveda po kelių bandymų, pakartokite žingsnius 4, 5 ir 6. Jeigu variklis vis tiek neužsivedė, apsilankykite tinklapyje **BRIGGSandSTRATTON.COM** arba paskambinkite įgaliotam servisui.



DĖMESIO: Greitas starterio susisukimas gali patraukti ranką greičiau, negu jūs spėsite paleisti rankenėlę. Jus galite gauti traumą. Užvesdami variklį, lėtai traukite už starterio virvės, kol pajusite pasipriešinimą, o tada staigiu judesiu traukite už virvės.

Kaip sustabdyti variklį - Pav. 6

Atleiskite variklio stabdymo rankeną (E). Žiūrėkite Pav. 6.
arba

Variklis su greičio reguliatoriumi: Perjunkite greičio reguliatorių (A Pav. 5) į stop  padėtį.

Aptarnavimas

PASTABA: Jeigu Jus aptarnaujate variklį, gulinti ant šono, kuro bakas turi būti tuščias, o variklio šonas kuriame yra uždegimo žvakė turi būti nukreipta į viršų. Jeigu kuro bakas nėra tuščias ir jeigu variklis yra padėtas bet kuria kita puse, jį bus sunku užvesti, kadangi alyva arba kuras pateks į oro filtrą ir/arba užlies uždegimo žvakę.



DĖMESIO: Atlikinėdami aptarnavimą, kai įranga turi būti apversta, įsitinkite kad kuro bakas yra tuščias, nes gali išsilieti kuras ir įvykti gaisras arba sprogingimas.

Mes rekomenduojame jums naudotis įgalioto Briggs & Stratton serviso atstovo paslaugomis variklio remontui ir dalimis įsigyti.

PASTABA: Kad variklis gerai veiktų, visos jo dalys turi būti savo vietoje.

Išmetimo sistemos kontrolė

Išmetimo sistemos aptarnavimas, pakeitimas arba remontas gali būti atliktas bet kuriame variklių aptarnavimo centre. Tačiau, norėdami aptarnavimą gauti nemokamai, pagal Briggs & Stratton garantiją, išmetimo sistemą turite kreiptis į įgaliotą atstovą. Perskaitykite Išmetimo sistemos garantiją.



DĖMESIO

Netyčia atsiradusi kibirkštis gali sukelti gaisrą arba elektros smūgį. Atsitiktinis variklio paleidimas gali jus sunkiai traumuoti. Ugnies pavojus

Prieš variklio reguliavimą ir taisymą:

- Atjunkite uždegimo žvakės laidą ir laikykite jį toliau nuo uždegimo žvakės.
- Atjunkite akumuliatorių (varikliuose su elektriniu užvedimu).
- Naudokite tik specialius įrankius.
- Nelieskite reguliatoriaus spyruoklės arba kitų variklio dalių, galinčių paveikti variklio greitį.
- Atsarginės dalys turi būti vienodos ir sumontuotos toje pačioje vietoje kur buvo sumontuotos originalios dalys. Neoriginalios dalys gali sugadinti įrangą, pabloginti jos veikimą, traumuoti Jus.
- Nedaužykite smagračio plaktuku arba kietu daiktu. Jis gali subyrėti.

Kibirkšties tikrinimas:

- Naudokite patvirtintą žvakės testerį.
- Netikrinkite kibirkšties esant išsuktai uždegimo žvakei.

Aptarnavimo lentelė

Pirmosios 5 valandos
<ul style="list-style-type: none">• Pakeiskite alyvą
Kas 8 valandas arba kasdien
<ul style="list-style-type: none">• Tikrinkite alyvos lygį• Valykite purvą aplink duslintuvą ir valdymo elementus.
Kas 25 valandas arba kasmet
<ul style="list-style-type: none">• Valykite oro filtrą *
Kas 50 valandų arba kasmet
<ul style="list-style-type: none">• Keiskite variklio alyvą• Tikrinkite duslintuvą ir kibirkšties gaudyklį
Kasmet
<ul style="list-style-type: none">• Keiskite oro filtrą.• Keiskite uždegimo žvakę• Valykite variklio aušinimo sistema *

* Jeigu variklis yra naudojamas dulkečioje aplinkoje, valykite dažniau.

Karbiuratoriaus ir variklio greičio reguliavimas

Niekada nereguliuokite karbiuratoriaus arba variklio greičio. Karbiuratorius yra sureguliuotas gamykloje efektyviausiam naudojimui. Nelieskite regulatoriaus spyruoklių, jungčių arba kitų dalių tam, kad pakeisti variklio greitį. Jeigu yra reikalingas bet koks reguliavimas, susisiekite su oficialiu Briggs & Stratton serviso atstovu.

PASTABA: Įrangos gamintojas nustato variklio maksimalų greitį pagal įrangą kuriame jis yra sumontuotas. **Neviršykite** šio greičio. Jeigu Jūs nesate tikri koks yra įrangos maksimalus greitis arba koks variklio greitis yra nustatytas gamykloje, susisiekite su oficialiu Briggs & Stratton serviso atstovu. Tam kad įranga veiktų saugiai ir teisingai, variklio greitis turi būti reguliuojamas tik kvalifikuotu serviso specialistu.

Kaip pakeisti uždegimo žvakę - Pav. 7

Patikrinkite uždegimo žvakės tarpelį (A, Pav. 7) su matuokliu (B). Jeigu yra reikalinga, sureguliuokite oro tarpelį. Įdėkite ir priveržkite uždegimo žvakę atitinkama jėga. Ieškokite oro tarpelio ir sukimo momento duomenų skyriuje **Techninė informacija**.

Pastaba: Kai kuriose vietovėse vietiniai įstatymai reikalauja naudoti specialias uždegimo žvakes su varžomis, kurios slopina uždegimo signalus. Jeigu jūsų variklyje yra tokios žvakės, naudokite tokias pačias žvakes ir keitimui.

Apžiūrėkite duslintuvą ir kibirkščių gaudyklį - Pav. 8



DĖMESIO



Veikiantys varikliai skleidžia šilumą. Variklio dalys, ypač duslintuvai, labai įkaista.



Neatsargiai prisilietę, galite nudegti.



Susikaupusios lengvai užsiliepsnojančios medžiagos, tokios kaip lapai, žolė ir t.t. gali užsidegti.

- Leskite duslintuvui, variklio cilindriui ir briaunoms atvėsti prieš jas liesdami.
- Išvalykite žolę aplink duslintuvą ir cilindrą.
- Naudojimas varikliu miške, krumuose arba vėjoje be kibirkšties gaudyklio išmetimo sistemoje yra Kalifornijos valstijos viešųjų išteklių kodekso, 4442 skyriaus pažeidimas. Kitose valstijose gali galioti panašūs įstatymai. Jus galite įsigyti kibirkšties gaudyklį, pritaikytą Jūsų išmetimo sistemai, pas originalios įrangos gamintoją, pardavėją arba atstovą.

Pašalinkite susikaupusį purvą nuo duslintuvo ir aplink cilindrą. Įsitinkinkite, kad ant duslintuvo (A) nėra plyšių, rudžių ir jis nėra pažeistas. Nuimkite kibirkščių gaudyklį (B), jeigu toks yra, ir įsitinkinkite, kad jis nėra pažeistas arba užterštas. Jeigu radote pažeidimus, pakeiskite detales prieš įrangos naudojimą.



DĖMESIO: Atsarginės dalys turi būti vienodos ir sumontuotos toje pačioje vietoje kur buvo sumontuotos originalios dalys. Neoriginalios dalys gali sugadinti įrangą, pabloginti jos veikimą, traumoti Jus.

Kaip pakeisti alyvą - Pav. 2 3 9 10



DĖMESIO



Kuras ir jo garai yra labai degūs ir gali sprogti.



Ugnis arba sproginimas gali jus nudeginti arba užmušti.

- Kai Jūs išpilate alyvą per alyvos įpylimo vamzdelį, kuro bakas turi būti tuščias, nes kuras gali išsilieti ir sukelti gaisrą arba sproginimą.

Naudota alyva yra pavojingas produktas. Elkitės su ja atsargiai. Neutilizuokite kartu su kitomis namų ūkio atliekomis. Teiraukitės jūsų vietinės valdžios, aptarnavimo centro arba serviso atstovo, kur galima utilizuoti/panaudotą alyvą.

Alyvos išpylimas

Alyvą reikia išpilti pro alyvos įpylimo vamzdelį (E, Pav. 10).

1. Kol variklis yra šiltas, atjunkite uždegimo žvakės laidą (A) ir laikykite jį toliau nuo uždegimo žvakės (Pav. 9).
2. Išsukite alyvos lygio matuoklį (G, paveikslėlis 2).
3. Kai Jūs išpilate alyvą per alyvos įpylimo vamzdelį (E), variklio pusė, (F) kurioje yra uždegimo žvakė, turi būti nukreipta į viršų (Pav. 10). Išpilkite alyvą į atitinkamą talpą.



DĖMESIO: Kai Jūs išpilate alyvą per alyvos įpylimo vamzdelį, kuro bakas turi būti tuščias, nes kuras gali išsilieti ir sukelti gaisrą arba sproginimą. Užveskite variklį ir palaukite kol baigsis benzinas.

Alyvos įpylimas

- Pastatykite variklį horizontaliai.
 - Išvalykite alyvos įpylimo vietą nuo purvo.
 - Perskaitykite **Techninė informacija** skyrių, kuriame yra parašyta variklio alyvos talpa.
1. Išsukite alyvos lygio matuoklį (G) ir išvalykite jį švari audeklu (Pav. 2, Pav. 3).
 2. Lėtai įpilkite alyvą į variklį (H). **Neperpilkite.** Palaukite 1 minutę ir patikrinkite alyvos lygį.
 3. Įdėkite ir užsukite alyvos lygio matuoklį
 4. Išsukite matuoklį ir patikrinkite alyvos lygį. Alyvos lygis turi būti ties full žyme (J) matuoklyje.
 5. Įdėkite ir užsukite alyvos lygio matuoklį

Kaip aptarnauti oro filtrą - Pav. 11 12



DĖMESIO



Kuras ir jo garai yra labai degūs ir gali sprogti.



Ugnis arba sproginimas gali jus nudeginti arba užmušti.

- Niekada neveskite ir nedirbkite su varikliu, kuriame nėra oro filtro mazgo (jeigu toks yra) arba oro filtro (jeigu toks yra).

PASTABA: Filtro valymui nenaudokite suspausto oro arba tirpiklių. Suspaustas oras gali pažeisti oro filtrą; tirpikliai - sugadinti.

Paveikslėlyje yra parodytos dvi oro filtravimo sistemos: **standartinė** ir **padidintos talpos**. Nustatykite kuri sistema yra Jūsų variklyje ir aptarnaukite ją sekančiai.

Standartinis oro filtras - Pav. 11

Standartinėje oro filtravimo sistemoje yra naudojamas kempininis elementas, kurį galima išplauti ir dar kartą panaudoti.

1. Atsukite varžtą (A) oro filtro korpuso viršuje (B). Žiūrėkite Pav. 11.
2. Atsargiai nuimkite oro filtro korpusą, kad į karbiuratorių nepatektų purvas.
3. Išimkite kempininį elementą (C) iš korpuso
4. Išplaukite kempininį elementą vandenyje su skystu plovikliu. Nusausinkite sausu audiniu.
5. Pamirkykite kempininį filtro elementą švarioje variklio alyvoje. Išspauskite alyvos perteklių.
6. Įdėkite kempininį elementą į oro filtro korpusą.
7. Sumontuokite oro filtro korpusą ant karbiuratoriaus ir užsukite varžtą

Padidintos talpos oro filtras - Pav. 12

Padidintos talpos oro filtru yra naudojamas gofruotas filtras.

1. Atsukite varžtą (A) oro filtro korpuso viršuje (B). Žiūrėkite Pav. 12.
2. Atsargiai nuimkite oro filtro korpusą, kad į karbiuratorių nepatektų purvas.
3. Išimkite gofruotą filtrą (C) iš filtro korpuso.
4. Norėdami išvalyti gofruotą filtrą nuo žolės, lengvai suduokite juo per kietą paviršių. Jeigu gofruotas filtras yra labai nešvarus, įdėkite naują filtrą.
5. Sumontuokite gofruotą filtrą.
6. Sumontuokite oro filtro korpusą ant karbiuratoriaus ir užsukite varžtą

Valykite oro aušinimo sistemą - Pav. 13



DĖMESIO



Veikiantys varikliai skleidžia šilumą. Variklio dalys, ypač duslintuvai, labai įkaista.



Neatsargiai prisilietę, galite nudegti.



Susikaupusios lengvai užsiliepsnojančios medžiagos, tokios kaip lapai, žolė ir t.t. gali užsidegti.

- Leskite duslintuvui, variklio cilindriui ir briaunoms atvėsti prieš jas liesdami.
- Išvalykite žolę aplink duslintuvą ir cilindrą.

PASTABA: Nevalykite variklio vandeniu. Vanduo gali patekti į kūrą. Valymui naudokite šepetį arba švarų audeklą.

Šis variklis yra aušinamas oru. Purvas ir žolė gali užkimšti oro aušinimo sistemą ir variklis gali perkaisti, kas sąlygos prastą variklio darbą ir sutrumpins jo tarnavimo laikotarpį.

Šepečiu arba sausu audeklu valykite smagračio apsaugą (A). Palaikykite jungtis, spyruokles ir valdymo organus (B) švaroje. Duslintuvai ir plotas aplink jį (C) turi būti švarus (Pav. 13).

Sandėliavimas



DĖMESIO



Kuras ir jo garai yra labai degūs ir gali sprogti.



Ugnis arba sprogdimas gali jus nudeginti arba užmušti.

Sandėliuojant kūrą arba įrangą su kuru bake

- Laikykite kuo toliau nuo krosnių, viryklių, vandens šildytuvų arba kitos įrangos, kuri veikia esant atvirai liepsnai, nes gali užsiliepsnoti kuro garai.

Kuro sistema

Benzinas gali pasenti jeigu jis yra saugomas virš 30 dienų. Pasenusiame benzine gali atsirasti kenksmingos kuro sistemos nuosėdos. Tam kad kuras liktų šviežias naudokite **Briggs & Stratton Advanced Formula Fuel Treatment & Stabilizer**, kuro stabilizatorių, kurį galima įsigyti parduotuvėse, kuriose yra parduodamos originalios Briggs & Stratton dalys.

Varikliuose, kuriuose yra naudojamas FRESH START® kuro bako dangtis, naudokite **Briggs & Stratton FRESH START®** kuro stabilizatorių, kuris yra parduodamas lašinamo koncentrato kasetėje.

Jeigu į benzina yra įpiltas kuro stabilizatorius, jį galima palikti variklyje. Prieš sandėliavimą, užveskite variklį ir palaukite apie 2 min. kol stabilizatorius pasiskleis po visą kuro sistemą.

Jeigu į benzina buvo įpiltas kuro stabilizatorius, išpilkite jį į atitinkamą talpą. Užveskite variklį ir palaukite kol baigsis benzinas. Mes rekomenduojame įpilti kuro stabilizatorių į benzino saugojimo talpą, benzinas liks šviežias.

Variklio alyva

Keiskite variklio alyvą kol variklis yra šiltas.

PASTABA: Sandėliuokite variklį horizontalioje padėtyje (normali darbinė padėtis). Jeigu sandėliuojamas variklis guli ant šono, kuro bakas turi būti tuščias o variklio šonas kuriame yra uždegimo žvakė turi būti nukreipta į viršų. Jeigu kuro bakas nėra tuščias ir jeigu variklis yra padėtas bet kuria kita puse, jį bus sunku užvesti, kadangi alyva arba kuras pateks į oro filtrą ir/arba užlies uždegimo žvakę.

Gedimas

Reikalinga pagalba? Aplankykite **BRIGGSandSTRATTON.COM** arba paskambinkite **1-800-233-3723** (JAV).

Specifikacija

Variklio techninė informacija

Modelis	90000
Tūris	9,02 ci (148 cc)
Cilindro skersmuo	2,562 in (65,08 mm)
Cilindro eiga	1,750 in (44,45 mm)
Alyvos talpa	18 - 20 oz (0,54 - 0,59 L)

Variklio techninė informacija

Modelis	100000
Tūris	9,67 ci (158 cc)
Cilindro skersmuo	2,562 in (65,08 mm)
Cilindro eiga	1,875 in (47,65 mm)
Alyvos talpa	18 - 20 oz (0,54 - 0,59 L)

Techninė reguliavimo informacija *

Modelis	90000, 100000
Uždegimo žvakės tarpelis	0,030 in (0,76 mm)
Uždegimo žvakės užsikimo momentas	180 lb-in (20 Nm)
Oro tarpelis tarp indukcinės ritės/smagračio	0,006 - 0,010 in (0,15 - 0,25 mm)
Įsiurbimo vožtuvo laisvumas	0,005 - 0,007 in (0,13 - 0,18 mm)
Išmetimo vožtuvo laisvumas	0,007 - 0,009 in (0,18 - 0,23 mm)

* Variklio galinumas mažes 3,5% kas 1000 pėdų (300 metrų) virš jūros lygio ir 1% kas 10° F (5,6° C) virš 77° F (25° C). Variklis veiks patenkinamai plokštumoje iki 15° kampo. Naudojimo instrukcijoje rasite saugos instrukcijas leistinam darbui nuokalnėse.

Bendro naudojimo dalys ✓

Atsarginė dalis	Dalies numeris
Standartinis oro filtras	698369
Padidintos talpos oro filtras	797819
Alyva - SAE 30	100005
Kuro priedas	5041, 5058
Rezistorinė uždegimo žvakė	796112
Ilggo naudojimo platininė uždegimo žvakė	5062
Uždegimo žvakės raktas	89838, 5023
Kibirkšties testeris	19368

✓ Mes rekomenduojame aptarnauti variklį tik pas įgaliotus Briggs & Stratton serviso atstovus.

RIBOTA GARANTIJA

Briggs & Stratton garantuoja, kad per garantinį laikotarpį aprašytą žemiau, nemokamai suremontuos ar pakeis bet kurią variklio detalę ar detales, kurios yra pagamintos iš nekokybiškų medžiagų, nekokybiškai pagamintos ar abu šie atvejai viename. Transporto išlaidas už detalių, skirtų remontui ar pakeitimui, pristatymą, vadovaujantis šia garantija, apmoka pirkėjas. Ši garantija yra taikoma atitinkamam laikotarpiui ir galioja pagal sąlygas, išvardintas šiame polise. Norėdami gauti garantinį remontą, kreipkitės į artimiausią įgaliotą Aptarnavimo centrą, nurodytą kompanijos internetiniame puslapyje BRIGGSandSTRATTON.COM. Pirkėjas turi susisiekti su Aptarnavimo centru ir pasirūpinti variklio pristatymu į Aptarnavimo centrą, jo diagnostikai.

Nėra jokių kitų tiesioginių garantijų. Numanomos garantijos, įskaitant tinkamumo prekybai arba atitikimo konkrečioms panaudojimo sritims garantija, apribotos vienerių metų nuo pirkimo dienos laikotarpiu arba leistinai įstatymų rėmais. Nėra jokių kitų numanomų garantijų. Atsakomybė už netiesioginius pažeidimus pagal visas garantijas yra atmetama tiek kiek leidžia įstatymai. Kai kurios valstybės neriboja numanomos garantijos galiojimo laiko, kitose neleidžiama eliminuoti arba riboti atsakomybę už atsitiktinę arba logiškai išplaukiančią žalą. Tokiu būdu, aukščiau pateiktos išimties ir apribojimai gali Jūsų nepalieti. Ši garantija suteikia Jums išskirtines juridines teises. Jūs taip pat galite pasinaudoti kitomis teisėmis, kurias Jums suteikia Jūsų šalies įstatymai**.

STANDARTINIAI GARANTIJOS TERMINAI *▲

Prekinis ženklas/Gaminio tipas	Privatus naudojimas	Komercinis naudojimas
Vanguard™ ■	3 metai	3 metai
Vejapjovių varikliai skirti komerciniam naudojimui Commercial Turf Series™	2 metai	2 metai
Prailginto tarnavimo laikotarpio serijos™: I/C®; Intek™ I/C®; Intek™ Pro;™ Profesionalios serijos™ su Dura-Bore™ gilze iš ketaus; 850 serijos™ su Dura-Bore™ gilze iš ketaus; Sniego serijos MAX™ su Dura-Bore™ gilze iš ketaus Visi kiti Briggs & Stratton varikliai su Dura-Bore™ gilze iš ketaus	2 metai	1 metai
Visi kiti Briggs & Stratton varikliai	2 metai	90 dienų

* Šie garantiniai terminai yra standartiniai, jie gali būti papildyti arba pakeisti bet kuriuo laiku. Norėdami sužinoti naujausią informaciją apie Jūsų variklio garantiją, apsilankykite BRIGGSandSTRATTON.COM arba susisiekite su artimiausiu Briggs&Stratton įgaliotu atstovu.

** Australijoje - Mūsų prekes turi garantija kurį negali būti atmeta pagal Australijos Vartotojų įstatymą. Jūs turite teisę į kompensaciją bet kurių pagrįstų nuostolių arba gedimų. Jūs taip pat turite teisę į detalių taisymą arba pakeitimą, jeigu jos yra blogos kokybės arba blogai veikia. kurios brokuotos detalės pakeitimą. Norėdami atlikti garantinį remontą, kreipkitės į artimiausią įgaliotą Aptarnavimo centrą, nurodytą kompanijos internetiniame puslapyje BRIGGSandSTRATTON.COM arba paskambinę 1300 274 447, arba kreipdamiesi į salesenquiries@briggsandstratton.com.au, Briggs & Stratton Australia Pty Ltd, 1 Moorebank Avenue, Moorebank, NSW, Australia, 2170.

▲ Namų rezerviniams generatoriams: 2 metai „Privataus naudojimo“ sąlygomis. Ši garantija negalioja generatoriams, kurie yra naudojami komerciniais tikslais. Ši garantija negalioja varikliams, kurie yra naudojami kaip pagrindinis energijos šaltinis komerciniais tikslais. **Garantija netaikoma varikliams, naudojamiems sportinėms varžyboms ir lenktynėms arba komerciniuose bei nuomuojamuose automobiliuose.**

■ „Vanguard“, sumontuotam rezerviniuose generatoriuose, garantija galioja 2 metus „Privataus naudojimo“ sąlygomis. Komerciniam naudojimui garantija neteikiama. „Vanguard“, sumontuotam universaliuose transporto priemonėse, garantija galioja 2 metus „Privataus naudojimo“ sąlygomis bei 2 metus komercinio naudojimo tikslais. „Vanguard“ 3-ų cilindrų skysčiu aušinamas variklis: žr. „Briggs & Stratton“ 3-ų cilindrų skysčiu aušinamo variklio savininko garantinį polisą.

Garantis periodas prasideda nuo prekės įsigijimo datos privačių vartotojų arba komercinių naudotojų, ir galioja laike, kuris yra nurodytas lentelėje aukščiau. "Privatus naudojimas" reiškia individualų naudojimą pirmo mažmeninio pirkėjo savajame asmeniniame plote. "Komercinis naudojimas" reiškia visus kitus naudojimo būdus, įskaitant naudojimą nuomai, pelnui gauti ir pan. Jeigu variklis buvo nors vieną kartą panaudotas komerciniais tikslais, jis bus priskirtas prie komercijos tikslams naudojamų variklių kategorijos ir jam bus taikoma atitinkama garantija.

Briggs & Stratton variklių garantijos įgyvendinimui garantinis talonas nereikalaujamas. Jūs privalote išsaugoti tik pirkimo čekį. Pateikiant garantinį reikalavimą, reikalaujamas pirkimo datos įrodymas.

Dėl Jūsų Garantijos

Briggs & Stratton yra pasiruošę remontuoti jūsų variklį pagal garantiją ir atsiprašo už suteiktus nepatogumus. Bet kuris įgaliotas Aptarnavimo centras gali atlikti garantinį remontą. Daugumoje atvejų mes priimame variklius garantiniam remontui, bet kartais reikalavimai garantiniam remontui yra nepagrįsti. Siekdami išvengti nesusipratimų, kurie gali iškilti tarp Kliento ir Serviso centro, žemiau pateikiame keletą variklio gedimo priežasčių, kurių garantiniai įsipareigojimai neapima.

Natūralus nusidėvėjimas: varikliams, kaip ir visiems mechaniniams įrenginiams, reikalingas periodiškai aptarnavimas bei detalių keitimas, kad būtų užtikrintas tinkamas veikimas. Garantija netaikoma, jei dalis sugedo dėl jos natūralaus nusidėvėjimo. Garantija netaikoma, jeigu variklio pažeidimas atsirado dėl netinkamo naudojimo, nesant reikiamo aptarnavimo, transportavimo, saugojimo arba neteisingo sumontavimo ant įrangos. Taip pat garantija nėra taikoma, jeigu variklio serijinis numeris buvo nuimtas nuo variklio arba variklis buvo pakeistas ar modifikuotas.

Netinkamas aptarnavimas: Variklio gyvavimo trukmė priklauso nuo sąlygų, kurioms esant jis veikia, ir nuo jo priežiūros. Kai kurios detalės, kaip antai purotentai, siurbilai bei vejapjovės dažnai naudojamos dulkečioje ar purvinoje aplinkoje, o tai gali sąlygoti priešlaikinį nusidėvėjimą. Tokiam nusidėvėjimui, kurį sąlygojo purvas, dulkės, žvakės valymo milteliai ar kitos abrazyvinės medžiagos, pakenkusios varikliui dėl netinkamos priežiūros, garantiniai įsipareigojimai netaikomi.

Šie garantiniai įsipareigojimai galioja tik su varikliu susijusioms nekokybiškoms medžiagoms ir/ar darbams, o ne įrangos, kurioje variklis sumontuotas, keitimui ar jos kainos gražinimui. Garantija taip pat netaikoma remonto darbams, reikalingiems dėl:

- 1 Problemų, iškilusių dėl detalių, kurios nėra originalios Briggs & Stratton detalės.
- 2 Įrangos valdymo mechanizmų ar priedų, trukdančių variklio paleidimui, slopinančių variklio darbą arba sutrumpinančių variklio tarnavimo laiką. (Susisiekite su įrangos gamintoju)
- 3 Leidžiančių kurą karbiuratorių, užkimštų kuro vamzdelių, įstrigusių vožtuvų arba kitų pažeidimų, atsiradusių dėl užteršto arba etiliuoto kuro naudojimo.

- 4 Dalių, kurios yra pažeistos arba sulaužytos dėl variklio veikimo esant nepakankamam arba užterštam tepimui arba dėl netinkamo alyvos lygio (tikrinkite alyvos lygį kasdien. Papildykite, jeigu jos reikia, ir keiskite rekomenduojamu laiku). Alyvos lygio daviklis OIL GARD gali nesustabdyti veikiančio variklio. Variklis gali būti sugadintas esant neteisingam alyvos lygio palaikymui.
- 5 Remonto arba reguliavimo dalių, kurios yra susijusios su varikliu, tokių kaip sankaba, transmisija, valdymo svirtys ir pan., kurios nėra pagamintos kompanijoje Briggs & Stratton.
- 6 Detalių pažeidimų ir nusidėvėjimo dėl purvo, kuris pateko į variklį dėl neteisingos oro filtro priežiūros, surinkimo arba neoriginalaus oro filtro elemento arba kasetės naudojimo. Rekomenduojamu laiku valykite ir/arba keiskite filtrą, kaip yra nurodyta naudojimo ir eksploatacijos instrukcijoje.
- 7 Dalių, kurios buvo sugadintos esant per didelėms apsuksoms arba esant perkaitimui, kuris įvyko žolei, purvui patekus ant variklio ir užteršusių aušinimo briaunas arba smagratę; ar dėl pažeidimo, kuris buvo padarytas varikliui veikiant uždaroje patalpoje be pakankamo aušinimo. Valykite variklį rekomenduojamu laiku kaip yra nurodyta naudojimo ir eksploatacijos instrukcijoje.
- 8 Sugedusių variklio arba įrangos dalių, sugadintų dėl papildomos didelės vibracijos, kuri atsirado dėl atsilaisvusių variklio tvirtinimų, pjovimo peilių, nebalansuotų skriemulių, neteisingo dalių sujungimo su variklio korpusu, perdidelio greičio arba kitos neteisingos operacijos.
- 9 Sulenktos arba lūžusios alkūninio veleno, sugadintos dėl žoliapjovės peilių smūgio į kietą daiktą arba dėl per stipriai įtempto "V" formos diržo.
- 10 Įprastinio variklio reguliavimo arba paruošimo darbu.
- 11 Variklio arba variklio detalių sugadinimo, tokių kaip degimo kameros, vožtuvų, vožtuvų galvūčių, vožtuvų kreipiamųjų arba sudegusių starterio apvijų, sugadintų dėl kitų kuro tipų naudojimo, tokių kaip suskystinti naftos produktai, dujos, benzinas su daugiau nei 10% etanolio priedu ir pan.

Garantis aptarnavimas yra atliekamas tik per įgaliotus Briggs & Stratton serviso atstovus. Jums artimiausią serviso atstovą galima rasti apsilankius mūsų puslapyje www.BRIGGSandSTRATTON.com arba telefonu 1-800-233-3723 (JAV).

Vispārīga informācija

Šajā rokasgrāmatā ir aprakstīta informācija par drošību, lai pasargātu Jūs no briesmām un riska, kuri pastāv saskarē ar dzinējiem un kā no tiem izvairīties. Tā arī satur instrukcijas dzinēja pareizai lietošanai un apkopei. Tāpēc, ka Briggs & Stratton Corporation ne vienmēr var zināt kādu aprīkojumu dzinējs apgādās ar dzinējspēku, ir svarīgi izlasīt un izprast šīs instrukcijas, kā arī instrukcijas aprīkojumam, kuru dzinējs apgādā ar dzinējspēku. **Saglabājiet šīs instrukcijas - iespējams, ka vēlāk tās vajadzēs pārlasīt.**

Rezerves daļu pieprasīšanai vai tehniskai palīdzībai pierakstiet zemāk dzinēja modeļa, tipa un koda numurus kopā ar pirkšanas datumu. Šie numuri ir uz jūsu dzinēja (skatīt **Īpašības un vadības elementus** lappusi).

Pirkšanas datums: _____
MM/DD/GGGG

Dzinēja modelis: _____
Modelis: Tips: Kods:

Jaudas mērījumi: Atsevišķiem benzīna dzinēju modeļiem bruto jauda tiek norādīta atbilstoši SAE (Society of Automotive Engineers) noteikumiem J1940 (Mazu dzinēju jaudas un griezes momenta noteikšanas procedūra) un tiek novērtēta atbilstoši SAE noteikumiem J1995. Dzinējiem ar norādījumu „rpm” uz plāksnītes griezes momenta rādījumi tiek mērīti pie 2600 apgr./min., bet visiem pārējiem dzinējiem - pie 3060 apgr./min.; jaudas rādījumi tiek mērīti pie 3600 apgr./min. Ar bruto jaudas līknēm var iepazīties mājaslapā www.BRIGGSandSTRATTON.COM. Neto jaudas rādījumi tiek noteikti dzinējiem ar uzstādītām izplūdes gāzu un gaisa attīrīšanas sistēmām, kamēr bruto jaudas rādījumi tiek noteikti dzinējiem bez šīm sistēmām. Faktiskā dzinēja bruto jauda būs lielāka par neto jaudu, un to, starp citu, iespaido apkārtējās vides apstākļi un atšķirības starp atsevišķiem dzinējiem. Ņemot vērā plašo iekārtu spektru, kurām dzinēji tiek uzstādīti, var izrādīties, ka jūsu iegādātais benzīna dzinējs konkrētā iekārtā neattīstīs norādīto jaudu. Šādu atšķirību pamatā ir vairāki faktori, piemēram (bet ne tikai) dzinēja aprīkojums (gaisa filtrs, izpūtējs, ģenerators, dzesēšanas sistēma, karburators, degvielas sūkņi, u.t.t.), izmantošanas ierobežojumi, apkārtējās vides apstākļi (temperatūra, gaisa mitrums, augstums virs jūras līmeņa), kā arī atšķirības starp atsevišķiem dzinēju eksemplāriem. Ražošanas jaudas ierobežojumu rezultātā, Briggs & Stratton var aizvietot augstākas jaudas dzinēju ar šo dzinēju.

Operatora drošība

DARBA DROŠĪBAS UN VADĪBAS SIMBOLI



Drošības trauksmes simbols tiek izmantots, lai norādītu uz drošības informāciju par riska faktoriem, kas var izraisīt ievainojumu. Signālvārds (DRAUDI, BRĪDINĀJUMS, PIESARDZĪBA) tiek izmantots kopā ar trauksmes simbolu lai norādītu iespējamību un potenciālā ievainojuma smagumu. Riska simbols var tikt papildus izmantots riska veida norādīšanai.

DRAUDI norāda uz risku, kas nenovēršanas gadījumā, **izraisīs nāvi vai nopietnu ievainojumu.**

BRĪDINĀJUMS norāda uz risku, kas nenovēršanas gadījumā **var izraisīt nāvi vai nopietnu ievainojumu.**

PIESARDZĪBA norāda uz risku, kas nenovēršanas gadījumā **varētu izraisīt nelielu vai vidēju ievainojumu.**

PIEZĪME norāda uz situāciju, kas **var izraisīt produkta bojājumu.**

BRĪDINĀJUMS

Šajā produktā zināmas sastāvdaļas un to attiecīgie piederumi satur ķīmiskas vielas, kas Kalifornijas štātā ir atzītas par izraisošām vēzi, iedzimtus defektus vai citu reproduktīvu kaitējumu. Pēc darba ar šiem izstrādājumiem mazgājiet rokas.

BRĪDINĀJUMS

Šī dzinēja izplūdes gāzes satur ķīmiskas vielas, kas Kalifornijas štātā ir atzītas par izraisošām vēzi, iedzimtus defektus vai citu reproduktīvu kaitējumu.

BRĪDINĀJUMS

Briggs & Stratton dzinēji nav paredzēti izmantošanai sekojošajās iekārtās: izklaides un sporta kartingos, bērnu, izklaides vai sporta bezceļu transportlīdzekļos (ATV), motociklos, transportlīdzekļos uz gaisa spilvena, lidaparātos, vai transportlīdzekļos, kas tiek izmantoti Briggs & Stratton neatzītās sacensībās. Informāciju par produktiem, kas tika izstrādāti sacensībām skatiet mājaslapā www.briggsracing.com. Lai saņemtu informāciju par dzinēju izmantošanu saimnieciskos un divvietīgos bezceļu transportlīdzekļos, sazinieties ar Briggs & Stratton dzinēju pielietojuma daļu pa tālruni: 1-866-927-3349. Nepareiza dzinēju pielietošana vai izraisīt nopietnus ievainojumus vai nāvi.

PIEZĪME: Dzinējs no Briggs & Stratton tiek nosūtīts bez eļļas. Pirms dzinēja iedarbināšanas, pārliecinieties, ka jūs esiet ielējis eļļu atbilstoši šīs rokasgrāmatas instrukcijām. Ja jūs iedarbināsiet dzinēju bez eļļas, tas tiks sabojāts bez iespējam izremontēt un uz to garantija neattieksies.



BRĪDINĀJUMS



Degviela un tā garaiņi ir ārkārtīgi viegli uzliesmojoši un sprādzienbīstami.
Uguns vai sprādziens var izraisīt smagus apdegumus vai nāvi.

Uzpildot degvielu

- Izslēdziet dzinēju un ļaujiet dzinējam vismaz 2 minūtes atdzist pirms degvielas tvertnes vāciņa noņemšanas.
- Uzpildiet degvielas tvertni ārpus telpām vai vietā ar labu ventilāciju.
- Nepārpildiet degvielas tvertni. Lai būtu iespējama degvielas izplešanās, nepiepildiet virs degvielas tvertnes kakliņa apakšdaļas.
- Uzglabājiet degvielu atstātus no dzirkstelēm, atklātām liesmām, degļiem, karstuma un citiem aizdegšanās avotiem.
- Bieži pārbaudiet, vai degvielas caurulēm, tvertnei, vāciņiem un sastiprinājumiem nav plaisas vai sūces. Nepieciešamības gadījumā nomainiet.
- Ja degviela izlaistās, pirms dzinēja iedarbināšanas pagaidiet, līdz tā izgaro.

Iedarbinot dzinēju

- Pārliecinieties, ka aizdedzes svece, klusinātājs, degvielas vāciņš un gaisa atfīrītājs (ja ir aprīkojumā) ir savā vietā un droši nostiprināti.
- Negrieziet dzinēju, ja aizdedzes svece ir izņemta.
- Ja dzinējs pārplūst, uzstādiet gaisa vārstu (ja ir aprīkojumā) stāvoklī OPEN (atvērts)/RUN (darbība), virziet droseli (ja ir aprīkojumā) uz stāvokli FAST (ātrs) un grieziet, līdz dzinējs sāk darboties.

Darbinot iekārtu

- Nesagāziet dzinēju vai iekārtu tādā leņķī, kas izraisa degvielas izlīšanu.
- Neveiciet karburatora gaisa vārsta aizvēršanu, lai apstādinātu dzinēju.
- Nekad neiedarbiniet vai nedarbiniet dzinēju, kad noņemts gaisa atfīrītāja mezgls (ja ir aprīkojumā) vai gaisa filtrs (ja ir aprīkojumā).

Nomainot eļļu

- Ja jūs izlejiet eļļu caur augšējo eļļas uzpildnes cauruli, degvielas tvertnei jābūt tukšai, jo degviela var izplūst ārā un var izraisīt uzliesmojumu vai sprādzienu.

Ja iekārtu ir nepieciešams noliekt apkalpošanas veikšanai

- Veicot apkalpošanas darbus, kuru laikā iekārtai ir jāatrodas noliektā stāvoklī, degvielas tvertnei jābūt tukšai, citādi var notikt degvielas noplūde, kas var izraisīt uzliesmojumu vai sprādzienu.

Transportējot iekārtu

- Transportējiet ar TUKŠU degvielas tvertni vai ar degvielas slēgvārstu stāvoklī OFF.

Uzglabājot degvielu vai iekārtu ar degvielu tvertnē

- Uzglabājiet atstātus no kurtuvēm, plītiem, ūdenssildītājiem vai citām ierīcēm, kurām ir degļi vai citi aizdegšanās avoti, jo tie var izraisīt degvielas izgarojumu uzliesmošanu.



BRĪDINĀJUMS



Dzinēja iedarbināšana izraisa dzirkstejošanu.
Dzirkstejošana var aizdedzināt tuvumā esošas ugunsnedrošas gāzes.
Tas var izraisīt eksploziju un ugunsgrēku.

- Neiedarbiniet dzinēju, ja tuvumā ir dabasgāzes vai šķidrā propāna gāzes (LP) noplūde.
- Neizmantojiet saspiestus iedarbināšanas šķidrumus, jo garaiņi var būt uzliesmojoši.



BRĪDINĀJUMS



Dzinēju darbināšana rada karstumu. Dzinēja daļas, it īpaši klusinātājs, kļūst ļoti karstas.

Saskares gadījumā var rasties smagi apdegumi.



Ugunsnedroši priekšmeti, piemēram, lapas, zāle, krūmājs utt. var aizdegties.

- Ļaujiet klusinātājam, dzinēja cilindram un ribām atdzist pirms pieskaršanās.
- Notīriet klusinātāja un cilindra tuvumā uzkrājušos grūzus.
- Kalifornijas sabiedrisko resursu kodeksa, 4442. paragrāfa likumpārkāpums ir šī dzinēja izmantošana vai darbināšana jebkādā mežā vai uz zemes, kas klāta ar krūmiem vai zāli, ja izpūtēja sistēmai nav uzstādīts un uzturēts darba kārtībā dzirkstelju slāpētāju, kā tas norādīts 4442. paragrāfā. Citos štatos vai federālajai jurisdikcijai pakļautās teritorijās var būt līdzīgi likumi. Lai iegādātos dzirkstelju slāpētāju, kas konstruēts šim dzinējam uzstādītai izpūtēja sistēmai, sazinieties ar oriģinālās iekārtas izgatavotāju, mazumtirgotāju vai tirdzniecības pārstāvi



BRĪDINĀJUMS



INDĪGAS GĀZES RADĪTĀS BRIESMAS. Dzinēja izplūdes gāzes satur oglekļa monoksīdu - tā ir indīga gāze, kura var izraisīt nāvi dažu minūšu laikā. To NEVAR redzēt, sajūst tās smaku vai garšu. Pat ja jūs nejutat izplūdes gāzu smaku, jūs varat būt pakļauts oglekļa monoksīda iedarbībai. Ja jūs jūtat nelabumu, reiboni vai vājumu izstrādājuma izmantošanas laikā, izslēdziet to un NEKAVĒJOTIES izejiet svaigā gaisā. Vērsieties pie ārsta. Jums var būt saindēšanās ar oglekļa monoksīdu.

- Lietojiet šo izstrādājumu TIKAI ārpus telpām, attālumā no logiem, durvīm vai ventilācijas lūkām, lai samazinātu risku, ka oglekļa monoksīds var sakrāties un nokļūt dzīvojamās telpās.
- Uzstādiert oglekļa monoksīda koncentrācijas signalizāciju, kas tiek darbināta ar baterijām, vai signalizāciju, kas tiek pieslēgta elektrotīklam un kurai ir baterijas kā rezerves barošanas avots; ievērojiet ražotāja instrukcijas. Dūmu signalizācijas nevar noteikt oglekļa monoksīda esamību.
- NELIETOJIET šo izstrādājumu mājās, garāžās, pagrabos, pagrīdēs, zem pajumēm vai citās daļēji slēgtās telpās, pat izmantojot ventilatorus vai atverot durvis un logus ventilācijai. Oglekļa monoksīds var ātri sakrāties šādās telpās un palikt tajās stundām ilgi, pat pēc izstrādājuma izslēgšanas.
- VIENMĒR novietojiet šo izstrādājumu pa vējam, un tā, lai dzinēja izplūdes gāzes būtu novirzīti prom no dzīvojamām telpām.



BRĪDINĀJUMS



Strauja startera auklas ieraušana atpakaļ (atsitiens) var paraut plaukstu un roku uz dzinēja pusi ātrāk nekā jūs varēsiet palaist to vājā. Tas var izraisīt kaulu lūzumus, plīsumus, sasitumus vai sastiepumus.

- Iedarbinot dzinēju, lēnām velciet startera auklu līdz sajūtat pretestību, tad paraujiet strauji, lai izvairītos no atsitienu.
- Pirms dzinēja iedarbināšanas noņemiet visas ārējās iekārtas/dzinēja noslodzi.
- Tieši pievienotām iekārtas sastāvdaļām, piemēram, bet ne tikai, asmeņiem, lāpstnīteriem, trīšiem, zobratiem u.tml. ir jābūt droši piestiprinātiem.



BRĪDINĀJUMS



Rotējošas daļas var pieskarties vai sapīties ar rokām, kājām, matiem, apģērbu vai piederumiem.

Rezultāts var būt traumatiska amputācija vai smagas plēstas brūces.

- Darbiniet iekārtu ar uzstādītiem aizsarglīdzekļiem.
- Turiet rokas un kājas atstātus no rotējošām daļām.
- Sasieniet garus matus un noņemiet rotaslietas.
- Nevalkājiet vaļīgu apģērbu, apģērba gabalus ar brīvām auklām vai citiem elementiem, kas varētu tikt aizķerti.



BRĪDINĀJUMS



Nejauša dzirkstejošana var izraisīt uguni vai elektriskās strāvas triecienu.



Nejauša iedarbināšana var izraisīt sapīšanos, traumatisku amputāciju vai plēstu brūci.



Uzliesmošanas risks

Pirms regulēšanas vai remonta

- Atvienojiet aizdedzes sveces vadu, un neturiet to aizdedzes sveces tuvumā.
- Atvienojiet akumulatoru baterijas negatīvo spaili (tikai dzinējiem ar elektrisko iedarbināšanu).
- Lietojiet tikai pareizos instrumentus.
- Nepārtaisiet regulatora atsperi, sasaites vai citas daļas, lai palielinātu dzinēja ātrumu.
- Nomaināmām daļām jābūt tādas pašas konstrukcijas un tām jābūt iemontētām tajā pašā vietā kā oriģinālajām daļām. Cita veida daļas var nedarboties tikpat labi, var sabojāt iekārtu un var izraisīt ievainojumu.
- Nesitiet spararatu ar āmuru vai cietu priekšmetu, jo tādā gadījumā spararats var vēlāk saplīst darbības laikā.

Pārbaudot dzirksteli

- Izmantojiet sankcionētu aizdedzes sveces testerī.
- Nepārbaudiet dzirksteli, ja aizdedzes svece ir izņemta.

Īpašības un vadības elementi

Saīdiniet ilustrāciju **1** ar jūsu dzinēju lai iepazītos ar dažādām īpašībām un vadības elementu novietojumu.

- A. Dzinēja identifikācija
Modelis Tips Kods
- B. Aizdedzes svece
- C. Benzīna sūkņītis
- D. Degvielas tvertne un vāciņš
- E. Gaisa filtrs
- F. Startera auklas rokturis
- G. Mērstienis
- H. Klusinātājs
Klusinātāja aizsargs (ja ir aprīkojumā)
Dzirksteļu slāpētājs (ja ir aprīkojumā)
- I. Droseles vadība (ja ir aprīkojumā)

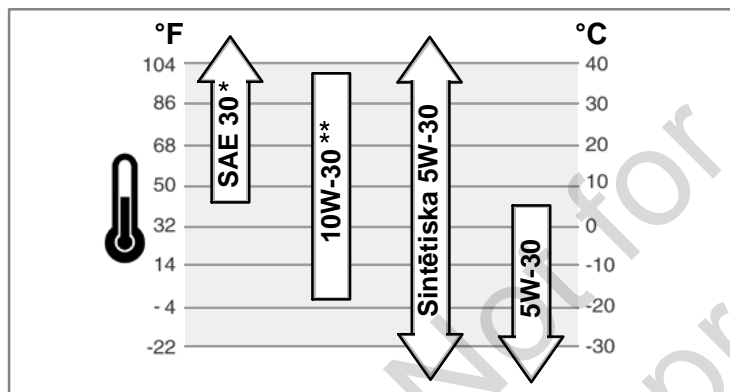
Ekspluatācija

Eļļas ietilpība (skatīt **Specifikāciju** nodaļu)

Eļļas Rekomendācijas

Mēs iesakām labai darbībai izmantot Briggs & Stratton ar garantiju (Warranty Certified) sertificētās eļļas. Citas augstas kvalitātes tīrošas eļļas arī ir piemērotas, ja tās klasificētas darbam kā SF, SG, SH, SJ vai augstāk. Neizmantojiet speciālās piedevas.

Piemērotā dzinēja eļļas viskozitāte tiek izvēlēta izejot no āra temperatūras. Pēc diagrammas izvēlieties vislabāko viskozitātes pakāpes eļļu, kas atbilst sagaidāmajai āra temperatūrai.



* Ja SAE 30 eļļa tiek izmantota zem 40°F (4°C), tā varētu izraisīt apgrūtinātu iedarbināšanu.

** 10W-30 eļļas izmantošana virs 80°F (27°C) var izraisīt palielinātu eļļas patēriņu. Pārbaudiet eļļas līmeni biežāk.

Kā pārbaudīt/pieliet eļļu - Attēlu **2** **3**

Pirms eļļas pieliešanas vai eļļas līmeņa pārbaudes

- Novietojiet dzinēju horizontāli.
- Notīriet eļļas uzpildes vietu no jebkādiem gružiem.
- 1. Izņemiet mērstieni (G) un noslaukiet ar tīru drānu (Attēlu 2, Attēlu 3).
- 2. Ievietojiet un pievelciet mērstieni.
- 3. Izņemiet mērstieni un pārbaudiet eļļas līmeni. Tam ir jābūt pie piepildījuma indikatora (full indicator) augšas uz mērstieņa (J).
- 4. Ja līmenis zems, lēni lejiet eļļu dzinēja eļļas uzpildnē (H). **Neiepildiet par daudz.** Pēc eļļas ieliešanas, pagaidiet vienu minūti un tad pārbaudiet eļļas līmeni.
- 5. Ielieciet atpakaļ un pievelciet mērstieni.

Sistēma aizsardzībai no zema eļļas līmeņa (ja uzstādīta)

Daži dzinēji ir aprīkoti ar zema eļļas līmeņa devēju. Ja eļļas līmenis ir pazemināts, pēc devēja signāla iedegsies brīdinājuma gaismas signāls vai dzinējs tiks izslēgts. Izslēdziet dzinēju un izpildiet sekojošās darbības pirms atkārtotās dzinēja iedarbināšanas.

- Pārļiecinieties, ka dzinējs ir izlīdzināts.
- Pārbaudiet eļļas līmeni. Skatīt nodaļu **Kā pārbaudīt/pieliet eļļu.**
- Ja eļļas līmenis ir pazemināts, pieļiet nepieciešamo eļļas daudzumu. Iedarbiniet dzinēju un pārļiecinieties, ka nedeg brīdinājuma gaismas signāls (ja uzstādīts).
- Ja eļļas līmenis nav pazemināts, **neiedarbiniet** dzinēju. Sazinieties ar autorizētu Briggs & Stratton pārstāvi, lai novērstu problēmas ar eļļu.

Degvielas rekomendācijas

Degvielai jāatbilst sekojošām prasībām:

- Tīrs, svaigs, bezsvina benzīns.
- Minimālais oktāna skaitlis 87/87 AKI (91 RON). Par lietošanu lielā augstumā, skatiet zemāk norādīto.
- Ir pieļaujams izmantot benzīnu ar etanola (etilspirta) saturu līdz 10%.

CAUTION: Neizmantojiet nesankcionētu benzīnu, piemēram, E15 vai E85. Neieņemiet eļļu benzīnā, kā arī nemodificējiet dzinēju darbam ar alternatīvu degvielu. Nesankcionētu degvielu lietošanas rezultātā dzinēja sastāvdaļas tiks bojātas un **dzinēja garantija zaudēs spēku.**

Lai nepieļautu gumijas veidošanos degvielas sistēmā, degvielai piemaisiet degvielas stabilizatoru. Skatīt **Uzglabāšana.** Visa degviela nav vienāda. Ja parādās iedarbināšana vai darbības problēmas, nomainiet degvielas piegādātājus vai nomainiet šķirnes. Šis dzinējs ir sertificēts izmantošanai ar benzīnu. Izplūdes emisiju kontroles sistēma šim dzinējam ir EM (dzinēja modifikācijas).

Liels augstums

Pie augstuma virs 5 000 pēdām (1524 metri), ir pieļaujams benzīns ar minimālo oktāna skaitli 85/85 AKI (89 RON). Lai saglabātu emisijas atbilstību, ir nepieciešama noregulēšana lielam augstumam. Darbs bez šādas noregulēšanas var izraisīt darbības pasliktināšanos, palielinātu degvielas patēriņu un palielinātas emisijas. Lai saņemtu informāciju par noregulēšanu lielam augstumam, griezties pie autorizēta Briggs & Stratton pārstāvja.

Dzinēja darbība augstumā zem 2 500 pēdām (762 metri) ar liela augstuma komplektu nav ieteicama.

Kā pieliet degvielu - Attēlu **4**



BRĪDINĀJUMS



Degviela un tā garaiņi ir ārkārtīgi viegli uzliesmojoši un sprādzienbīstami.



Uguns vai sprādziens var izraisīt smagus apdegumus vai nāvi.

Uzpildot degvielu

- Izslēdziet dzinēju un ļaujiet dzinējam vismaz 2 minūtes atdzist pirms degvielas tvertnes vāciņa noņemšanas.
- Uzpildiet degvielas tvertni ārpus telpām vai vietā ar labu ventilāciju.
- Nepārpildiet degvielas tvertni. Lai būtu iespējama degvielas izplešanās, nepiepildiet virs degvielas tvertnes kaktiņa apakšdaļas.
- Uzglabājiet degvielu atstātus no dzirkstelēm, atklātām liesmām, degļiem, karstuma un citiem aizdegšanās avotiem.
- Bieži pārbaudiet, vai degvielas caurulēm, tvertnei, vāciņiem un sastiprinājumiem nav plaisas vai sūces. Nepieciešamības gadījumā nomainiet.
- Ja degviela izlaistās, pirms dzinēja iedarbināšanas pagaidiet, līdz tā izgaro.

1. Notīriet degvielas tvertnes vāciņa vietu no netīrumiem un gružiem. Noņemiet degvielas tvertnes vāciņu (A, Attēlu 4).
2. Uzpildiet degvielas tvertni (B) ar degvielu. Lai būtu iespējama degvielas izplešanās, nepiepildiet virs degvielas tvertnes kaktiņa apakšdaļas (C).
3. Uzlieciet atpakaļ degvielas tvertnes vāciņu.

Kā iedarbināt dzinēju - Attēlu **5** **6**



BRĪDINĀJUMS



Strauja startera auklas ieraušana atpakaļ (atsitiens) var paraut plaukstu un roku uz dzinēja pusi ātrāk nekā jūs varēsiet palaist to vajā. Tas var izraisīt kaulu lūzumus, plīsumus, sasitumus vai sastiepumus.

- Iedarbinot dzinēju, lēnām velciet startera auklu līdz sajūtat pretestību, tad paraujiet strauji, lai izvairītos no atsitienu.



BRĪDINĀJUMS



Degviela un tā garaiņi ir ārkārtīgi viegli uzliesmojoši un sprādzienbīstami.



Uguns vai sprādziens var izraisīt smagus apdegumus vai nāvi.

Iedarbinot dzinēju

- Pārļiecinieties, ka aizdedzes svece, klusinātājs, degvielas vāciņš un gaisa atfīrītājs (ja ir aprīkojumā) ir savā vietā un droši nostiprināts.
- Negrieziet dzinēju, ja aizdedzes svece ir izņemta.
- Ja dzinējs pārplūst, uzstādiet gaisa vārstu (ja ir aprīkojumā) stāvoklī OPEN (atvērts)/RUN (darbība), virziet droseli (ja ir aprīkojumā) uz stāvokli FAST (ātrs) un grieziet, līdz dzinējs sāk darboties.



BRĪDINĀJUMS



INDĪGAS GĀZES RADĪTĀS BRIESMAS. Dzinēja izplūdes gāzes satur oglekļa monoksīdu - tā ir indīga gāze, kura var izraisīt nāvi dažu minūšu laikā. To NEVAR redzēt, sajūst tās smaku vai garšu. Pat ja jūs nejutāt izplūdes gāzu smaku, jūs varat būt pakļauts oglekļa monoksīda iedarbībai. Ja jūs jūtat nelabumu, reiboni vai vājumu izstrādājuma izmantošanas laikā, izslēdziet to un NEKAVĒJOTIES izejiet svaigā gaisā. Vērsieties pie ārsta. Jums var būt saindēšanās ar oglekļa monoksīdu.

- Lietojiet šo izstrādājumu TIKAI ārpus telpām, attālumā no logiem, durvīm vai ventilācijas lūkām, lai samazinātu risku, ka oglekļa monoksīds var sakrāties un nokļūt dzīvojamās telpās.
- Uzstādi oglekļa monoksīda koncentrācijas signalizāciju, kas tiek darbināta ar baterijām, vai signalizāciju, kas tiek pieslēgta elektrotīklam un kurai ir baterijas kā rezerves barošanas avots; ievērojiet ražotāja instrukcijas. Dūmu signalizācijas nevar noteikt oglekļa monoksīda esamību.
- NELIETOJIET šo izstrādājumu mājās, garāžās, pagrabos, pagrīdēs, zem pajumēm vai citās daļēji slēgtās telpās, pat izmantojot ventilatorus vai atverot durvis un logus ventilācijai. Oglekļa monoksīds var ātri sakrāties šādās telpās un palikt tajās stundām ilgi, pat pēc izstrādājuma izslēgšanas.
- VIENMĒR novietojiet šo izstrādājumu pa vējam, un tā, lai dzinēja izplūdes gāzes būtu novirzīti prom no dzīvojamām telpām.

PIEZĪME: Dzinējs no Briggs & Stratton tiek nosūtīts bez eļļas. Pirms dzinēja iedarbināšanas, pārlicinieties, ka jūs esiet ielējis eļļu atbilstoši šīs rokasgrāmatas instrukcijām. Ja jūs iedarbināsiet dzinēju bez eļļas, tas tiks sabojāts bez iespējām izremontēt un uz to garantija neattieksies.

Piezīme: Iekārta var būt ar distances vadību. Par distances vadības izvietošanu un darbināšanu skatīt aprīkojuma instrukciju.

- Pārbaudiet dzinēja eļļas līmeni. Skatīt **Kā pārbaudīt/pieliet eļļu** nodaļu.
- Pārlicinieties, ka iekārtas piedziņas vadības elementi, ja ir aprīkojumā, ir atvienoti.

Apkope

PIEZĪME: Ja veicot apkopi dzinējs tiek sagāzts, degvielas tvertnei jābūt tukšai un tai dzinēja pusei, kur atrodas aizdedzes svece, jābūt uz augšu. Ja degvielas tvertne nav tukša un ja dzinējs ir sagāzts jebkurā citā virzienā, dzinēja iedarbināšana var būt apgrūtināta, jo eļļa vai benzīns iekļuvis gaisa filtrā un/vai aizdedzes svece.



BRĪDINĀJUMS: Veicot apkalpošanas darbus, kuru laikā iekārtai ir jāatrodas noliektā stāvoklī, degvielas tvertnei jābūt tukšai, citādi var notikt degvielas noplūde, kas var izraisīt uzliesmojumu vai sprādzienu.

Mēs iesakām jums vērsties pie jebkura Briggs & Stratton autorizēta pārstāvja dzinēja un dzinēja daļu visas apkopes un servisa veikšanai.

PIEZĪME: Lai darbība būtu pareiza, visām dzinēja izgatavošanā izmantotajām sastāvdaļām jāatrodas savās vietās.

Emisiju kontrole

Emisiju kontroles iekārtu un sistēmu apkopi, nomainītu vai remontu var veikt jebkurā ārpusceļa dzinēju remonta iestādē vai individuāli. Tomēr, lai būtu iespējams emisiju kontroles iekārtu "bez maksas" serviss atbilstoši, šis darbs jāveic pie rūpnīcas autorizēta pārstāvja. Skatīt Emisiju garantiju.

3. Virziet droseles vadību (A, Attēlu 5), ja ir aprīkojumā, uz fast (ātrs) stāvokli.

Darbiniet dzinēju stāvoklī fast .

4. Iedarbinot jaunu dzinēju pirmo reizi, stingri nospiediet sarkano benzīna sūknīti (B) piecas reizes. Lai iedarbinātu dzinēju nākamajās reizēs, nospiediet benzīna sūknīti trīs reizes (Attēlu 5).

Piezīme: Ja dzinējs ir izlietojis visu degvielu vai degviela ilgi uzglabāta, var būt nepieciešams degvielas sūknīti nospiegt 5 reizes.

Piezīme: Vēlreiz iedarbinot siltu dzinēju, degvielas sūknīti parasti nav nepieciešams nospiegt.

Piezīme: Ja jūs spiedīsiet degvielas sūknīti pārāk daudz reižu, pārāk lielais daudzums degvielas pārpludinās dzinēju un dzinēju būs grūti iedarbināt.

5. Ja izstrādājums ir aprīkots ar dzinēja apturēšanas sviru (C), turiet dzinēja apturēšanas sviru pret rokturi (Attēlu 6).

6. Stingri turiet startera auklas rokturi (D). Lēnām velciet startera auklas rokturi, līdz sajūtat pretestību, tad paraujiet strauji (Attēlu 5).

Piezīme: Ja dzinējs neiedarbojas pēc atkārtotiem mēģinājumiem, atkārtojiet soļus 4, 5 un 6. Ja tas joprojām neiedarbojas, griezieties pie **BRIGGSandSTRATTON.COM** vai piezvaniet **1-800-233-3723** (ASV).



BRĪDINĀJUMS

Strauja startera auklas ieraušana atpakaļ (atsitiens) var paraut plaukstu un roku uz dzinēja pusi ātrāk nekā jūs varēsiet palaist to vaļā. Tas var izraisīt kaulu lūzumus, plīsumus, sasitumus vai sastiepumus. Iedarbinot dzinēju, lēnām velciet startera auklu līdz sajūtat pretestību, tad paraujiet strauji, lai izvairītos no atsitiena.

Kā apturēt dzinēju - Attēlu 6

Atļaidiet dzinēja apturēšanas sviru (E). Skatīt Attēlu 6.

vai

Dzinējs ar droseles vadību: Virziet droseles vadību (A, Attēlu 5) uz stop (apturēt) stāvokli.



BRĪDINĀJUMS



Nejauša dzirksteļošana var izraisīt uguni vai elektriskās strāvas triecienu.



Nejauša iedarbināšana var izraisīt sapīšanos, traumatisku amputāciju vai plēstu brūci.



Uzliesmošanas risks



Pirms regulēšanas vai remonta

- Atvienojiet aizdedzes sveces vadu, un neturiet to aizdedzes sveces tuvumā.
- Atvienojiet akumulatoru baterijas negatīvo spaili (tikai dzinējiem ar elektrisko iedarbināšanu).
- Lietojiet tikai pareizos instrumentus.
- Nepārtaisiet regulatora atsperi, sasaites vai citas daļas, lai palielinātu dzinēja ātrumu.
- Nomaināmām daļām jābūt tādas pašas konstrukcijas un tām jābūt iemontētām tajā pašā vietā kā oriģinālajām daļām. Cita veida daļas var nedarboties tikpat labi, var sabojāt iekārtu un var izraisīt ievainojumu.
- Nesitiet spararatu ar āmuru vai cietu priekšmetu, jo tādā gadījumā spararats var vēlāk saplīst darbības laikā.

Pārbaudot dzirksteli

- Izmantojiet sankcionētu aizdedzes sveces testerī.
- Nepārbaudiet dzirksteli, ja aizdedzes svece ir izņemta.

Apkopes diagramma

Pirmās 5 stundas
<ul style="list-style-type: none">Nomainiet eļļu
Ik pēc 8 stundām vai katru dienu
<ul style="list-style-type: none">Pārbaudiet dzinēja eļļas līmeniNotīriet vietu ap klusinātāju un vadības elementiem
Ik pēc 25 stundām vai katru gadu
<ul style="list-style-type: none">Iztīriet gaisa filtru *
Ik pēc 50 stundām vai katru gadu
<ul style="list-style-type: none">Nomainiet dzinēja eļļuPārbaudiet klusinātāju un dzirksteļu slāpētāju
Katru gadu
<ul style="list-style-type: none">Nomainiet gaisa filtruNomainiet aizdedzes sveciIztīriet gaisa dzesēšanas sistēmu *

* Biežāk ir jātīra putekļainos apstākļos vai gaisā esošu grauzu gadījumā.

Karburatora un dzinēja apgriezienu regulēšana

Neregulējiet karburatoru vai dzinēja apgriezienu. Karburators tika noregulēts rūpnīcā efektīvai darbībai vairumā apstākļu. Nemēģiniet regulēt apgriezienu regulatora atspēri, savienojumus vai citas daļas lai izmainītu dzinēja apgriezienu. Gadījumā, ja ir nepieciešams veikt regulēšanu, sazinieties ar autorizēto Briggs & Stratton servisa centru apkalpošanas veikšanai.




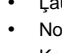
PIEZĪME: Aprīkojuma ražotājs ir noteicis uz aprīkojuma uzstādītā dzinēja maksimālo apgriezienu skaitu. **Nepārsniedziet** šo skaitu. Ja jūs neesat pārliecināts, kāds ir aprīkojuma maksimālais ātrums vai kādiem apgriezieniem dzinējs tika noregulēts rūpnīcā, sazinieties ar autorizēto Briggs & Stratton servisa centru palīdzības saņemšanai. Lai nodrošinātu drošu un pienācīgu aprīkojuma darbību, dzinēja apgriezienu drīkst regulēt tikai kvalificēti servisa tehniķi.

Kā nomainīt aizdedzes sveci - Attēlu 7

Pārbaudiet atstarpi (A, Attēlu 7) ar stieples kalibru (B). Ja ir nepieciešams, iestatiet atstarpi. Ievietojiet un pievelciet aizdedzes sveci ar ieteikto momentu. Par atstarpes iestatīšanu vai momentu, skatīt **Specifikāciju** nodaļā.


Piezīme: Dažos reģionos vietējie likumi prasa izmantot aizdedzes sveci ar rezistoru, lai apslāpētu aizdedzes radītos traucējumu signālus. Ja šis dzinējs sākotnēji bija aprīkots ar aizdedzes sveci ar rezistoru, nomainiet izmantotajiem tāda paša tipa aizdedzes sveci.

Apskatiet klusinātāju un dzirksteļu slāpētāju - Attēlu 8




**BRĪDINĀJUMS**
Dzinēju darbināšana rada karstumu. Dzinēja daļas, it īpaši klusinātājs, kļūst ļoti karstas.
Saskares gadījumā var rasties smagi apdegumi.
Ugunsnedroši priekšmeti, piemēram, lapas, zāle, krūmājs utt. var aizdegties.

- Ļaujiet klusinātājam, dzinēja cilindram un ribām atdzist pirms pieskaršanās.
- Notīriet klusinātāja un cilindra tuvumā uzkrājušos grauzus.
- Kalifornijas sabiedrisko resursu kodeksa, 4442. paragrāfa likumpārkāpums ir šī dzinēja izmantošana vai darbināšana jebkādā mežā vai uz zemes, kas klāta ar krūmiem vai zāli, ja izpūtēja sistēmai nav uzstādīts un uzturēts darba kārtībā dzirksteļu slāpētāju, kā tas norādīts 4442. paragrāfā. Citos štatos vai federālajai jurisdikcijai pakļautās teritorijās var būt līdzīgi likumi. Lai iegādātos dzirksteļu slāpētāju, kas konstruēts šim dzinējam uzstādītai izpūtēja sistēmai, sazinieties ar oriģinālās iekārtas izgatavotāju, mazumtirgotāju vai tirdzniecības pārstāvi.

Notīriet sakrājušos grauzus ap klusinātāju un cilindru. Apskatiet vai klusinātājam (A) nav pīšumu, rūsas bojājumu vai citādu bojājumu. Noņemiet dzirksteļu slāpētāju (B), ja ir aprīkojumā, un apskatiet vai nav bojājumi, vai pārrogļojuma aizsprostojumi. Ja atrasts bojājums, pirms darba uzsākšanas iemontējiet nomaināmās daļas.

**BRĪDINĀJUMS:** Nomaināmām daļām jābūt tādas pašas konstrukcijas un tām jābūt iemontētām tajā pašā vietā kā oriģinālajām daļām. Cita veida daļas var nedarboties tikpat labi, var sabojāt iekārtu un var izraisīt ievainojumu.

Kā nomainīt eļļu - Attēlu 2 3 9 10

**BRĪDINĀJUMS**
Degviela un tā garaiņi ir ārkārtīgi viegli uzliesmojoši un sprādzienbīstami.
Uguns vai sprādziens var izraisīt smagus apdegumus vai nāvi.


- Kad jūs izlejat eļļu caur augšējo eļļas uzpildnes cauruli, degvielas tvertnei jābūt tukšai, citādi var notikt degvielas noplūde, kas var izraisīt uzliesmojumu vai sprādzienu.

Izmantotā eļļa ir bīstami atkritumi, no kuriem atbilstošā veidā jāatbrīvojas. Neizmetiet kopā ar majsaimniecības atkritumiem. Iespējas nodot drošai savākšanai/pārstrādei noskaidrojiet vietējās varas iestādēs, apkopes centrā vai pie pārštāvja.

Izlejiet eļļu

Eļļas izliešana jāveic caur augšējo eļļas uzpildnes cauruli (E, Attēlu 10).




- Nestrādājošam, bet vēl siltam dzinējam, atvienojiet aizdedzes sveces vadu (A) un turiet to atstatu no aizdedzes sveces (Attēlu 9).
- Izņemiet mērstieni (G, Attēlu 2).
- Kad jūs izlejat eļļu caur augšējo eļļas uzpildnes cauruli (E), turiet dzinēja pusi ar aizdedzes sveci (F) uz augšu (Attēlu 10). Izlejiet eļļu piemērotā tvertnē.

**BRĪDINĀJUMS:** Kad jūs izlejat eļļu caur augšējo eļļas uzpildnes cauruli, degvielas tvertnei jābūt tukšai, citādi var notikt degvielas noplūde, kas var izraisīt uzliesmojumu vai sprādzienu. Lai iztukšotu degvielas tvertni, darbiniet dzinēju, līdz tas apstājas degvielas trūkuma dēļ.

Pielejiet eļļu

- Novietojiet dzinēju horizontāli.
 - Notīriet eļļas uzpildes vietu no jebkādiem grauziem.
 - Skatīt **Specifikāciju** nodaļu, kur uzrādīta eļļas ietilpība.
- Izņemiet mērstieni (G) un noslaukiet ar tīru drānu (Attēlu 2, Attēlu 3).
 - Ļēni lejiet eļļu dzinēja eļļas uzpildnē (H). **Neiepildiet par daudz.** Pēc eļļas ielešanas, pagaidiet vienu minūti un tad pārbaudiet eļļas līmeni.
 - Ievietojiet un pievelciet mērstieni.
 - Izņemiet mērstieni un pārbaudiet eļļas līmeni. Tam ir jābūt pie piepildījuma indikatora (full indicator) augšas uz mērstieņa (J).
 - Ievietojiet un pievelciet mērstieni.

Kā apkopt gaisa filtru - Attēlu 11 12

**BRĪDINĀJUMS**
Degviela un tā garaiņi ir ārkārtīgi viegli uzliesmojoši un sprādzienbīstami.
Uguns vai sprādziens var izraisīt smagus apdegumus vai nāvi.

- Nekad neiedarbiniet vai nedarbiniet dzinēju, kad noņemts gaisa attīrītāja mezgls (ja ir aprīkojumā) vai gaisa filtrs (ja ir aprīkojumā).

PIEZĪME: Filtra tīrīšanai neizmantojiet saspiestu gaisu vai šķīdinātājus. Saspiests gaiss var sabojāt filtru un šķīdinātāji var izšķīdināt filtru.

Šeit ir attēlotas divas gaisa filtra sistēmas, **standarta** un **lielā apjoma filtrs**. Noskaidrojiet uz jūsu dzinēja uzstādītā filtra tipu un veiciet apkopi kā norādīts tālāk.

Standarta gaisa filtrs - Attēlu 11

Standarta gaisa filtrā tiek izmantots porolona elements, kuru var mazgāt un lietot atkārtoti.

- Izņemiet skrūvi (A) no gaisa filtra mezgla augšpusē (B). Skatīt Attēlu 11.
- Lai novērstu grauzu iekrišanu karburatorā, rūpīgi noņemiet gaisa filtra mezglu.
- Izņemiet porolona elementu (C) no gaisa filtra pamatnes.
- Nomazgājiet porolona elementu šķīdā mazgājamā tīrdeklī un ūdenī. Izspiediet porolona elementu sausu tīrā drānā.
- Piesūciniet porolona elementu ar tīru dzinēja eļļu. Lai noņemtu dzinēja eļļas pārpalikumus, izspiediet porolona elementu tīrā drānā.
- Ievietojiet porolona elementu gaisa filtra pamatnē.
- Uzlieciet gaisa filtra mezglu uz karburatora un nostipriniet ar skrūvi.

Liela apjoma gaisa filtrs - Attēlu 12

Liela apjoma gaisa filtrā tiek izmantots gofrēts elements.

1. Izņemiet skrūvi (A) no gaisa filtra mezgla augšpusē (B). Skatīt Attēlu 12.
2. Lai novērstu grūžu iekrišanu karburatorā, rūpīgi noņemiet gaisa filtra mezglu.
3. Izņemiet gofrēto filtra elementu (C) no gaisa filtra pamatnes.
4. Lai atdalītu grūžus, viegli padoziet gofrēto filtra elementu pret cietu virsmu. Ja gofrētais filtra elements ir ārkārtīgi netīrs, nomainiet ar jaunu filtru.
5. Ievietojiet gofrēto gaisa filtra elementu.
6. Uzlieciet gaisa filtra mezglu uz karburatora un nostipriniet ar skrūvi.

Iztīriet gaisa dzesēšanas sistēmu - Attēlu 13



BRĪDINĀJUMS



Dzinēju darbināšana rada karstumu. Dzinēja daļas, it īpaši klusinātājs, kļūst ļoti karstas.



Saskares gadījumā var rasties smagi apdegumi.

Ugunsnedroši priekšmeti, piemēram, lapas, zāle, krūmājs utt. var aizdegties.

- Ļaujiet klusinātājam, dzinēja cilindram un ribām atdzist pirms pieskaršanās.
- Notīriet klusinātāja un cilindra tuvumā uzkrājušos grūžus.

PIEZĪME: Neizmantojiet ūdeni lai tīrītu dzinēju. Ūdens var piesārņot degvielas sistēmu. Lai tīrītu dzinēju, lietojiet suku vai sausu drānu.

Šis ir dzinējs ar gaisa dzesēšanu. Netīrumi vai grūži var ierobežot gaisa plūsmu un var izraisīt dzinēja pārkaršanu, kas noved pie sliktas veiktspējas un samazināta dzinēja darbūža.

Ar suku vai sausu drānu noņemiet grūžus no pirkstu aizsarga (A). Uzturiet tīras sasaites, atsperes un vadības elementus (B). Uzturiet vietu ap un aiz klusinātāja (C) tīru no jebkādiem uzliesmojošiem grūžiem (Attēlu 13).

Uzglabāšana



BRĪDINĀJUMS



Degviela un tā garaiņi ir ārkārtīgi viegli uzliesmojoši un sprādzienbīstami.



Uguns vai sprādziens var izraisīt smagus apdegumus vai nāvi.

Uzglabājot degvielu vai iekārtu ar degvielu tvertnē

- Uzglabājiet atstātus no kurtuvēm, plītiem, ūdenssildītājiem vai citām ierīcēm, kurām ir degļi vai citi aizdegšanās avoti, jo tie var izraisīt degvielas izgarojumu uzliesmošanu.

Degvielas sistēma

Degviela var kļūt nostāvējusies, ja tā uzglabāta ilgāk par 30 dienām. Nostāvējusies degviela izraisa skābes un gumijas nosēdumu veidošanos degvielas sistēmā vai uz svarīgām karburatora daļām. Lai saglabātu degvielu svaigu, lietojiet degvielas piedevu **Briggs & Stratton Advanced Formula**, kas pieejama visās Briggs & Stratton oriģinālo rezerves daļu tirdzniecības vietās.

Dzinējos ar FRESH START® degvielas vāciņu lietojiet piedevu **Briggs & Stratton FRESH START**® kas pieejama kā pilnāma koncentrāta kasetne.

Nav nepieciešams iztukšot benzīnu no dzinēja, ja degvielas stabilizators tiek pievienots saskaņā ar instrukcijām. Darbiniet dzinēju 2 minūtes lai stabilizators cirkulētu caur degvielas sistēmu pirms glabāšanas.

Ja benzīnam, kas atrodas dzinējā, nav ticis piemaisīts degvielas stabilizators, benzīns jāizlej piemērotā tvertnē. Darbiniet dzinēju, līdz tas apstājas degvielas izbeigšanās dēļ. Lai saglabātu svaigumu, tiek ieteikta degvielas stabilizatora piemaisīšana uzglabāšanas tvertnē.

Dzinēja eļļa

Kamēr dzinējs ir silts, nomainiet dzinēja eļļu.

PIEZĪME: Uzglabājiet dzinēju horizontālā stāvoklī (normālais darba stāvoklis). Ja uzglabājot dzinējs tiek sagāzts, degvielas tvertnē jābūt tukšai un tai dzinēja pusei, kur atrodas aizdedzes svece, jābūt uz augšu. Ja degvielas tvertnē nav tukša un ja dzinējs ir sagāzts jebkurā citā virzienā, dzinēja iedarbināšana var būt apgrūtināta, jo eļļa vai benzīns iekļuvis gaisa filtrā un/vai aizdedzes svecē.

Bojājumu novēršana

Nepieciešama palīdzība? Griezieties pie **BRIGGSandSTRATTON.COM** vai piezvaniet **1-800-233-3723 (ASV)**.

Specifikācijas

Dzinēja specifikācijas

Modelis	90000
Darba tilpums	9,02 ci (148 cm ³)
Cilindra diametrs	2,562 in (65,08 mm)
Virzuļa gājiens	1,750 in (44,45 mm)
Eļļas ietilpība	18 - 20 oz (0,54 - 0,59 L)

Dzinēja specifikācijas

Modelis	100000
Darba tilpums	9,67 ci (158 cm ³)
Cilindra diametrs	2,562 in (65,08 mm)
Virzuļa gājiens	1,875 in (47,65 mm)
Eļļas ietilpība	18 - 20 oz (0,54 - 0,59 L)

Noregulēšanas specifikācijas *

Modelis	90000, 100000
Aizdedzes sveces sprauga	0,030 in (0,76 mm)
Aizdedzes sveces pievilkšanas moments	180 lb-in (20 Nm)
Indukcijas spoles (armature) gaisa sprauga	0,006 - 0,010 in (0,15 - 0,25 mm)
Ieplūdes vārsta atstarpe	0,005 - 0,007 in (0,13 - 0,18 mm)
Izplūdes vārsta atstarpe	0,007 - 0,009 in (0,18 - 0,23 mm)

* Dzinēja jauda samazināsies par 3,5% uz katrām 1 000 pēdām (300 metri) virs jūras līmeņa un par 1% uz katru 10° F (5,6° C) virs 77° F (25° C). Šis dzinējs darbosies apmierinoši pie leņķa līdz 15°. Meklējiet iekārtas operatora rokasgrāmatā droša darba pieļaujamās robežas uz slīpumiem.

Vispārīga pielietojuma apkopes daļas ✓

Apkopes daļa	Daļas numurs
Standarta gaisa filtrs	698369
Liela apjoma gaisa filtrs	797819
Eļļa - SAE 30	100005
Degvielas piedeva	5041, 5058
Rezistora aizdedzes svece	796112
Ilgizturīga platīna aizdedzes svece	5062
Aizdedzes sveces atslēga	89838, 5023
Dzirksteles testeris	19368

✓ Mēs iesakām jums vērsties pie jebkura autorizēta Briggs & Stratton pārstāvja dzinēja un dzinēja daļu visas apkopes un servisa veikšanai.

IEROBEŽOTA GARANTIJA

Briggs & Stratton garantē, ka, zemāk norādītā garantijas perioda laikā, tas bez maksas salabos vai aizvietos jebkuru dzinēja daļu, kurai ir materiāla vai izgatavošanas defekts vai abi faktori. Transporta izdevumi par produktu, kas iesniegts remontam vai nomaīnai saskaņā ar šo garantiju, ir jāsedz pircējam. Šī garantija ir spēkā laika periodos un pie nosacījumiem, kas norādīti zemāk. Garantijas apkopes veikšanai, atrodiet tuvāko autorizēto apkopes pārstāvi mūsu pārstāvju meklēšanas kartē BRIGGSandSTRATTON.com. Pircējam ir jāsaņemas ar autorizēto apkopes pārstāvi un jānogādā tam prece apskatei un pārbaudei.

Citas tiesas garantijas netiek sniegtas. Netiešas garantijas, ieskaitot tirdzniecībai un piemērotībai īpašiem nolūkiem, ir ierobežotas līdz vienam gadam no pirkšanas brīža vai līdz likumā atļautajam termiņam. Visas citas netiešas garantijas ir izslēgtas. Atbildība par nejausiem vai sekojošiem kaitējumiem ir izslēgta, ciktāl to pieļauj likumdošana. Dažos štatos vai valstīs nav atļauti ierobežojumi netiešas garantijas ilgumam un dažos štatos vai valstīs nav atļauti izņēmumi vai ierobežojumi nejausiem vai sekojošiem kaitējumiem, tādēļ augšminētās ierobežojums un izņēmums var uz jums neattiekties. Šī garantija dod jums noteiktas juridiskas tiesības, un jums var būt arī citas tiesības, kas dažādos štatos un valstīs ir atšķirīgas **.

STANDARTA GARANTIJAS NOTEIKUMI * ▲

Marka/produkta tips	Patērētāja lietošana	Komerčiāla lietošana
Vanguard™ ■	3 gadi	3 gadi
Komercsērija „Turf”™	2 gadi	2 gadi
Pagarinātās ilgmūžības sērija™; I/C®; Intek™ I/C®; Intek™ Pro;™ Profesionālā sērija™ ar čuguna bloku Dura-Bore™; Sērija 850™ ar čuguna bloku Dura-Bore™; Sniega sērija MAX™ ar čuguna bloku Dura-Bore™ Visi pārējie Briggs & Stratton dzinēji ar čuguna bloku Dura-Bore™	2 gadi	1 gads
Visi citi Briggs & Stratton dzinēji	2 gadi	90 dienas

* Šie ir mūsu standarta garantijas noteikumi, taču laiku pa laikam iespējams papildus garantijas segums, kāds netika noteikts publikācijas laikā. Lai iepazītos ar jūsu dzinējam pašreiz spēkā esošo garantijas noteikumu sarakstu, skatiet mājas lapā BRIGGSandSTRATTON.COM vai sazinieties ar jūsu autorizēto Briggs & Stratton servisa pārstāvi.

** Austrālija: Visiem mūsu izstrādājumiem tiek nodrošināta garantija, kuru nevar atcelt Austrālijas likums par patērētāju tiesībām. Jums ir tiesības uz izstrādājuma aizvietošanu vai tā vērtības kompensāciju nozīmīga defekta gadījumā, kā arī tiesības uz kompensāciju citu pamatoti paredzamo zaudējumu vai defektu gadījumā. Jums arī ir tiesības uz izstrādājuma remontu vai aizvietošanu, ja izstrādājuma kvalitāte kļūst nepieņemama, pat ja defekts nav nozīmīgs. Garantijas apkopei atrodiet tuvāko autorizēto apkopes pārstāvi mūsu pārstāvju meklēšanas kartē BRIGGSandSTRATTON.COM, vai piezvanot pa tālruni 1300 274 447, sazinoties ar mums pa e-pastu salesenquiries@briggsandstratton.com.au vai rakstot uz sekojošo adresi: Briggs & Stratton Australia Pty Ltd, 1 Moorebank Avenue, Moorebank, NSW, Australia, 2170.

▲ Mājas rezerves ģeneratori: 2 gadu patērētāja lietošanas garantija. Komerčiālā garantija uz tiem neattiecas. Šī garantija neattiecas uz dzinējiem iekārtās ko izmanto kā enerģijas pamata avotu darba vietā. **Uz dzinējiem, kurus izmanto ātrumsacīkstēs vai komerciālos un nomas nolūkos garantija neattiecas.**

■ Vanguard dzinēji, kas tiek izmantoti mājas rezerves ģeneratoru darbināšanai; 2 gadu patērētāja garantija, garantija komerciālai pielietošanai netiek sniegta. Vanguard dzinēji, kas ir uzstādīti vispārējās pielietošanas transporta līdzekļos: 2 gadu patērētāja garantija, 2 gadu garantija komerciālai pielietošanai. 3 cilindru Vanguard šķidrumszeses dzinējs: skatiet garantijas polisi Briggs & Stratton 3/LC dzinējiem.

Garantijas periods sākas pirmajā mazumtirdzniecības patērētāja vai komerciāla galalietotāja pirkšanas dienā, un turpinās laika periodā, kas norādīts augšminētajā tabulā. "Patērētāja lietošana" nozīmē mazumtirdzniecības patērētāja personīgu lietošanu mājaisaimniecībā. "Komerčiāla lietošana" nozīmē visus citus lietojumus, ieskaitot lietojumu komerciāliem, ienākumus radošiem vai nomas nolūkiem. Tikko dzinējs ir ticis lietots komerciāli, tas turpmāk attiecībā uz šo garantiju tiek uzskatīts par komerciālas lietošanas dzinēju.

Lai iegūtu Briggs & Stratton produktu garantiju, nav nepieciešama garantijas reģistrācija. Saglabājiet savu pirkumu apliecinājošo čekus. Ja jūs neiesniedzat apliecinājumu sākotnējā pirkuma datumam, kad ir nepieciešama garantijas remonts, tad garantijas perioda noteikšanai tiks izmantots produkta ražošanas datums.

Par jūsu garantiju

Kompānija Briggs & Stratton būs priecīga veikt garantijas remontu un atvairtojas par sagādātajam neērtībām. Garantijas remontu var veikt jebkurš autorizēts apkopes pārstāvis. Lielākā daļa garantijas remontu tiek veikta parastajā kārtībā, tomēr dažos gadījumos garantijas apkopes nosacījumi var nebūt piemērojami. Lai izvairītos no pārpratumiem starp klientu un pārstāvi, zemāk tiek norādīti dažādi dzinēju kļūmju iemesli, uz kuriem neattiecas garantija.

Normāls nodilums: Dzinējiem, tāpat kā visām mehāniskām ierīcēm, lai tie darbotos labi, nepieciešama periodiska daļu apkope un nomaīna. Garantija neietver remontu, ja normālā darbībā izbeidzies daļas vai dzinēja darbmūžs. Garantija neattiecas uz bojājumiem, kas rodas nepareizas lietošanas, regulāras apkopes neveikšanas, nepareizas transportēšanas, nemākulīgi aprite, nepareizas uzglabāšanas noliktavā vai arī neatbilstošas uzstādīšanas dēļ. Līdzīgā veidā, garantija nav spēkā, ja noņemts dzinēja sērijas numurs, kā arī ja dzinējs pārtaisīts vai modificēts.

Neatbilstoša apkope: Dzinēja darbmūžs ir atkarīgs no apstākļiem, kādos tas darbojas un kā par to rūpējas. Dažas ierīces, piemēram, kultivatori, sūkņi un rotācijas plaujumašīnas, ļoti bieži tiek izmantotas puteklainos vai netīros apstākļos, kas var radīt iespaidu par priekšlaicīgu nolietojumu. Šāds nolietojums, ja to izraisījuši netīrumi, putekļi, aizdedzes sveces tīrīšanas grants, vai cits abrazīvs materiāls, kas iekļuvis dzinējā neatbilstošas apkopes dēļ, netiek ietverts garantijā.

Šī garantija attiecas tikai uz defektīviem materiāliem, kas saistīti ar dzinēju, un/vai apdares kvalitāti, un nevis uz nomaīnu vai atļūdināšanu iekārtai, kurai dzinējs var būt pierīkots. Tāpat garantija neattiecas uz remontu, kas nepieciešams šādu iemeslu dēļ:

- 1 Problēmas, kuras izraisījušas daļas, kas nav oriģinālas Briggs & Stratton daļas.
- 2 Iekārtas vadība vai ierīces, kas nepieļauj iedarbināšanu, izraisa dzinēja neapmierinošu darbību vai saīsina dzinēja darba mūžu. (Sazinieties ar iekārtas ražotāju.)
- 3 Karburatori ar sūci, aizsērējušas degvielas caurules, salīpuši vārsti vai citi bojājumi, ko izraisījuši piesārņotas vai vecas degvielas izmantošana.

- 4 Daļas, kas ir bojātas vai salūzušas tādēļ, ka dzinējs ticis darbināts ar nepietiekamu vai piesārņotu smērēļu, vai ar nepareizas kategorijas smērēļu (pārbaudiet un papildiniet eļļas līmeni, ja nepieciešams, un nomainiet ieteiktajos intervālos.) OIL GARD nevar apstādināt darbojošos dzinēju. Dzinēja bojājums ir iespējams, ja eļļas līmenis netiek pienācīgi uzturēts.
- 5 Saistītu daļu vai agregātu, piemēram, sajūgu, transmisiju, tālvadību u.tml. remonts vai regulēšana, kuri nav ražoti Briggs & Stratton.
- 6 Daļu bojājums vai nolietojums, ko izraisījuši netīrumi, kas iekļuvi dzinējā neatbilstošas gaisa filtra apkopes, atkārtotas montāžas vai neoriģināla gaisa filtra elementa vai kasētnes izmantošanas dēļ. Ieteiktajos intervālos notīriet un/vai nomainiet filtru kā norādīts operatora rokasgrāmatā.
- 7 Daļu bojājumi pieļaujamā ātruma pārsniegšanas dēļ vai zāles, grūžu vai netīrumu izraisītas pārkarsēšanas dēļ, kas aizbāž vai aizsprosto dzesēšanas ribas vai spararata vietu, vai bojājumu izraisījuši dzinēja darbināšana noslēgtā vietā bez pietiekamas ventilācijas. Ieteiktajos intervālos notīriet dzinēja grūzus kā norādīts operatora rokasgrāmatā.
- 8 Dzinēja vai iekārtas daļu salūšana dēļ pārmērīgas vibrācijas, ko izraisījuši dzinēja vajīga montēšana, vajīgi griezēja asmeņi, nesabalansēti asmeņi vai vajīgi vai nesabalansēti lāpstiņi, neatbilstoša iekārtas piestiprināšana dzinēja klokvārpstai, pieļaujamā ātruma pārsniegšana vai cita nepareiza ekspluatācija.
- 9 Saliekta vai salūzusi klokvārpsta, ko izraisījis sitiens ar griezēja asmeni pa cietu objektu rotācijas zāles plaujumašīnai, vai pārmērīgs ķīļsiksas nospiegējums.
- 10 Dzinēja kārtējā pielāgošana vai noregulēšana.
- 11 Dzinēja vai dzinēja sastāvdaļas bojājums, t.i., degkambars, vārstu, vārstu ligzdu, vārstu vadīklas bojājums vai sadedzis startera tinums, ko izraisījuši citas degvielas, piemēram, sašķidrīnātas gāzes, dabasgāzes, benzīna ar metanola saturu, kas pārsniedz 10%, utt. lietošana.

Garantijas apkope iespējama tikai caur autorizētiem Briggs & Stratton apkopes pārstāvjiem. Atrodiet tuvāko autorizēto apkopes pārstāvi mūsu pārstāvju meklēšanas kartē BRIGGSandSTRATTON.COM vai piezvanot pa tālruni 1-800-233-3723 (ASV).

Informacje ogólne

Niniejsza instrukcja zawiera informacje dotyczące bezpieczeństwa mające na celu uświadomienie użytkownikowi zagrożeń i niebezpieczeństw związanych z silnikami oraz sposobu ich uniknięcia. Zawiera również instrukcje właściwego użytkowania i troski o silnik. Ponieważ firma Briggs & Stratton Corporation nie koniecznie wie, jakie urządzenie będzie napędzane niniejszym silnikiem, ważne jest przeczytanie i zrozumienie niniejszej instrukcji oraz instrukcji wyposażenia napędzanego niniejszym silnikiem. **Zachować oryginalną instrukcję do wykorzystania w przyszłości.**

W razie zapotrzebowania na części zamienne lub pomoc techniczną zapisz poniżej model, typ oraz kod silnika wraz z datą zakupu. Numery te umieszczone są na silniku (patrz **Właściwości i elementy sterownicze** strona).

Data zakupu: _____
DD/MM/RRRR

Model silnika: _____
Model: Typ: Kod:

Moc znamionowa: Etykiety dotyczące mocy znamionowej "brutto" dla poszczególnych modeli silników benzynowych spełniają lub przekraczają wymagania normy SAE (Society of Automotive Engineers - Stowarzyszenie Inżynierów Motoryzacji) kod J1940 (procedura wyznaczania mocy i momentu znamionowego dla małych silników), a parametry znamionowe zostały wyznaczone zgodnie z normą SAE J1995. Wartości momentów są wyznaczone przy 2600 obr/min dla silników oznaczonych „rpm” na etykietach oraz przy 3060 obr/min dla wszystkich innych silników; wartości mocy wyznaczone są przy 3600 obr/min. Wykresy mocy „brutto” pokazane są na stronie internetowej www.BRIGGSandSTRATTON.COM. Wartości mocy znamionowej "netto" wyznaczone są z zainstalowanym układem wydechowym i filtrem powietrza, natomiast wartości mocy „brutto” wyznaczone są bez tego wyposażenia. Rzeczywista moc silnika "brutto" będzie wyższa niż moc "netto" i mają na nią, między innymi, wpływ warunki otoczenia oraz zmienność charakterystyki między poszczególnymi egzemplarzami silników. Uwzględniając szeroką paletę produktów, w których stosowane są silniki, silnik benzynowy może nie osiągać znamionowej mocy "brutto" w przypadku zastosowania w danym urządzeniu. Różnica wynika z różnych czynników, w tym, między innymi, wyposażenia (filtry powietrza, wydech, zasilanie, chłodzenie, gaźnik, pompa paliwa itp.), ograniczeń zastosowania, warunków otoczenia (temperatura, wilgotność, wysokość pracy) oraz zmienności charakterystyki między poszczególnymi egzemplarzami silników. Ze względu na ograniczenia produkcyjne i związane z wydajnością, Briggs & Stratton może zastąpić silnik tej serii silnikiem wyższej mocy.

Bezpieczeństwo operatora

SYMBOLE BEZPIECZEŃSTWA I STEROWANIA



Pożar



Części ruchome



Olej



Opary toksyczne



Wolne



Szybkie



Zatrzymać



Eksplozja



Porażenie prądem



Paliwo



Przepustnica ssania



Włączanie Wyłączanie



Odcinanie paliwa



Odbicie



Stosować ochronę oczu



Niebezpieczne chemikalia




Przeczytaj instrukcję




Gorąca powierzchnia




Odmrożenie

Symbol ostrzeżenia  stosowany jest do wskazania informacji dotyczących zagrożeń bezpieczeństwa, które mogą prowadzić do uszkodzenia ciała. Słowo ostrzegawcze (NIEBEZPIECZEŃSTWO, OSTRZEŻENIE lub PRZESTROGA) stosowane jest razem z symbolem ostrzegawczym w celu wskazania prawdopodobnej i potencjalnej możliwości uszkodzenia ciała. Dodatkowo symbol zagrożenia może być stosowany do wskazania rodzaju zagrożenia.

 Słowo **NIEBEZPIECZEŃSTWO** wskazuje na niebezpieczeństwo, które w razie jego nieuniknięcia, może doprowadzić do śmierci lub poważnego urazu ciała.

 Słowo **OSTRZEŻENIE** wskazuje na niebezpieczeństwo, które w razie jego nieuniknięcia, może doprowadzić do śmierci lub poważnego urazu ciała.

 **PRZESTROGA** wskazuje na niebezpieczeństwo, które w razie jego nieuniknięcia, może doprowadzić do drobnego lub średniego urazu ciała.

UWAGA wskazuje sytuację, która może doprowadzić do uszkodzenia produktu.



OSTRZEŻENIE

Niektóre składniki tego produktu i związane z nim akcesoria zawierają substancje chemiczne, które na podstawie informacji dostępnych w stanie Kalifornia mogą powodować raka, wady wrodzone i inne zaburzenia w czynnościach reprodukcyjnych.



OSTRZEŻENIE

Na podstawie informacji dostępnych w stanie Kalifornia spaliny powstałe wskutek rozkładu tego produktu mogą zawierać substancje chemiczne powodujące raka, wady wrodzone lub inne zaburzenia w czynnościach reprodukcyjnych.



OSTRZEŻENIE

Silniki firmy Briggs & Stratton nie są przeznaczone i nie należy ich używać do napędzania funkarów, gokartów, pojazdów dla dzieci, rekreacyjnych lub sportowych wszędolazów (ATV), motocykli, poduszkowców; produktów lotniczych; lub pojazdów używanych w wyścigach nie zatwierdzonych przez firmę Briggs & Stratton. Informacje na temat produktów przeznaczonych do wyścigów podano na stronie www.briggsracing.com. Odnośnie użycia w pojazdach użytkowych i terenowych prosimy skontaktować się z Briggs & Stratton Engine Application Center, 1-866-927-3349. Niewłaściwe zastosowanie silnika może spowodować poważne obrażenia lub śmierć.

UWAGA: Niniejszy silnik wysyłany jest z Briggs & Stratton bez oleju. Przed uruchomieniem silnika należy pamiętać o dodaniu oleju, zgodnie z opisem zawartym w niniejszej instrukcji. W przypadku uruchomienia silnika bez oleju, silnik zostanie uszkodzony w sposób uniemożliwiający naprawę i nie będzie objęty gwarancją.



OSTRZEŻENIE



Paliwo i jego opary stanowią duże zagrożenie ze względu na ich łatwopalność i wybuchowość.

Pożar lub wybuch mogą przyczynić się do poważnych poparzeń lub doprowadzić do śmierci.

Podczas uzupełniania paliwa

- Wylączyć silnik i pozwolić mu ochłodzić się przez co najmniej 2 minuty, zanim zostanie zdjęty korek wlewu paliwa.
- Napełniać zbiornik paliwa na powietrzu lub w dobrze wentylowanym pomieszczeniu.
- Nie przepelniać zbiornika paliwa. W celu umożliwienia rozszerzania benzyny nie napełniać powyżej dołu szyjki wlewu do zbiornika.
- Paliwo należy przechowywać z dala od isker, otwartych płomieni, lampek kontrolnych, ciepła i innych źródeł zapłonu.
- Sprawdzić przewody paliwa, zbiornik, korek wlewu i osprzęt pod kątem pęknięć lub przecieków. Jeżeli zajdzie potrzeba, wymienić.
- W przypadku rozlania paliwa należy odczekać z uruchomieniem silnika aż do jego wyparowania.

Podczas rozruchu silnika

- Upewnić się, czy świeca zapłonowa, tłumik, korek wlewu paliwa i filtr powietrza (jeśli jest na wyposażeniu) znajdują się we właściwym miejscu i czy są dobrze przymocowane.
- Nie obracać wałem korbowym silnika, kiedy świeca zapłonowa jest wykręcona.
- W przypadku zalania silnika należy ustawić przepustnicę ssania (jeżeli jest na wyposażeniu) w pozycji OTWARTEJ/pracy, przepustnicę (jeżeli jest na wyposażeniu) w pozycji SZYBKIEJ pracy i obracać wałem korbowym, aż silnik zacznie pracować.

Podczas pracy urządzenia

- Silnika lub urządzenia nie należy przechylać pod kątem, gdyż może to spowodować rozlanie paliwa.
- Nie włączać ssania dla zatrzymania silnika.
- Nigdy nie uruchamiać lub nie pracować silnikiem z wymontowanym filtrem powietrza (jeśli jest na wyposażeniu) lub wyjętym wkładem filtra (jeśli jest na wyposażeniu).

Podczas wymiany oleju

- Jeżeli olej spuszcza jest przez wlew oleju, zbiornik paliwa musi być pusty lub może dojść do wycieku paliwa, który może spowodować pożar lub wybuch.

Przechylenie zespołu do celów konserwacji

- Jeżeli wykonuje się konserwację, która wymaga przechylenia zespołu, zbiornik paliwa musi być opróżniony, gdyż w przeciwnym wypadku może dojść do wycieku paliwa, który może spowodować pożar lub wybuch.

Podczas transportu urządzenia

- Transportować z PUSTYM zbiornikiem paliwa lub z ZAMKNIĘTYM zaworem odcinającym paliwo.

W przypadku magazynowania paliwa lub urządzeń z paliwem w zbiorniku

- Przechowywać z dala od pieców, grzejników wody lub innych urządzeń z lampkami kontrolnymi lub innymi źródłami zapłonu, ponieważ mogą one spowodować zapalenie oparów paliwa.



OSTRZEŻENIE



Rozruchowi silnika towarzyszy iskrzenie.

Iskrzenie może spowodować zapalenie znajdujących się w pobliżu łatwopalnych gazów.

Może to być przyczyną wybuchu i pożaru.

- Jeżeli na terenie nastąpi wyciek gazu ziemnego lub innego gazu płynnego, nie należy uruchamiać silnika.
- Nie stosować płynów typu "samostart" w aerozolu, ponieważ ich opary są łatwopalne.

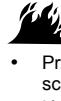


OSTRZEŻENIE



Pracujący silnik wydziela ciepło. Niektóre części silnika, w szczególności tłumik, stają się bardzo gorące.

Przy kontakcie z nimi mogą powstać poważne oparzenia.



Łatwopalne pozostałości w postaci liści, trawy, brudu, itd. mogą się łatwo zapalić.

- Przed dotknięciem tłumika, cylindra silnika i żeberek odczekać aż do ich schłodzenia.
- Usunąć zgromadzony łatwopalny brud z okolic tłumika i cylindra.
- Naruszeniem kodeksu Zasobów Publicznych stanu Kalifornia, rozdział 4442, jest używanie lub obsługa silnika na terenie leśnym, pokrytym krzewami lub trawą, chyba że układ wydechowy wyposażony jest w gasik isker, zgodnie z definicją podaną w rozdziale 4442 oraz utrzymywany w stanie sprawnym. Inne stany lub jurysdykcje federalne mogą mieć podobne przepisy. Skontaktuj się z producentem wyposażenia oryginalnego, sprzedawcą detalicznym lub hurtowym, aby otrzymać gasik isker zaprojektowany dla układu wydechowego zainstalowanego w tym silniku.



OSTRZEŻENIE



NIEBEZPIECZEŃSTWO TRUJĄCY GAZ. Gazy spalinowe silnika zawierają tlenek węgla, trujący gaz, który może zabić cię w ciągu minut. **NIE MOŻESZ zobaczyć go, powąchać lub posmakować.** Nawet jeśli nie czujesz gazu spalinowego, wciąż możesz być narażony na tlenek węgla. Jeśli poczujesz się niezdrowo, będziesz oszołomiony lub oślabiony używając tego produktu, wylącz go i wyjdź NATYCHMIAST na świeże powietrze. Udaj się do lekarza. Możesz być zatruty tlenkiem węgla.

- Korzystaj z tego produktu WYŁĄCZNIE na zewnątrz z dala od okien, drzwi i otworów wentylacyjnych, aby zmniejszyć ryzyko gromadzenia się tlenku węgla i potencjalnego wciągnięcia go do pomieszczeń zajmowanych przez ludzi.
- Zainstaluj bateryjne alarmy tlenku węgla lub alarmy tlenku węgla wkładane do gniazdzka z podtrzymaniem bateryjnym zgodnie z instrukcją producenta. Alarmy z detektorem dymu nie mogą wykryć tlenku węgla.
- NIE korzystaj z tego produktu wewnątrz domów, garaży, piwnic, piwnic niskich, komórek lub innych częściowo zamkniętych przestrzeni nawet wtedy, gdy używa się wentylatorów lub otwiera drzwi i okna w celu wentylacji. Tlenek węgla może szybko zgromadzić się w tych miejscach i może zalegać godzinami, nawet po wyłączeniu tego produktu.
- ZAWSZE umieść ten produkt z wiatrem i skieruj wydech silnika z dala od pomieszczeń używanych przez ludzi.



OSTRZEŻENIE



Gwałtowne wciąganie linki rozrusznika (odbicie) bardzo mocno szarpnie rękę w kierunku silnika.

W następstwie może dojść do złamania, pęknięcia kości, powstania siniaków lub nadciągnięcia mięśnia albo ścięgna.

- W celu uruchomienia silnika ciągnąć powoli uchwyt rozrusznika ręcznego do wycucia oporu, a następnie pociągnąć gwałtownie, aby uniknąć odbicia.
- Przed rozruchem silnika rozłączyć urządzenia zewnętrzne/obciążenie silnika.
- Części składowe urządzenia takie jak ostrza, wirniki, koła pasowe, koła łańcuchowe, itd. należy zamocować w sposób bezpieczny.



OSTRZEŻENIE



Ręce, stopy, włosy lub dodatki do ubrań mogą zostać wciągnięte lub zaplątać się w wirujące części.

Wskutek tego może dojść do odcięcia kończyny lub okaleczenia.

- Urządzenie należy obsługiwać z osłonami znajdującymi się we właściwych miejscach.
- Ręce i nogi należy trzymać z dala od części obracających się.
- Długie włosy należy związać, a biżuterię zdjąć.
- Nie należy nosić luźnej odzieży, zwisających sznurków ściągających ubranie lub przedmiotów, które mogą dostać się do części wirujących.



OSTRZEŻENIE



Nieumyślne iskrzenie może doprowadzić do pożaru lub porażenia elektrycznego.

Nieumyślny rozruch może doprowadzić do zaplątania, odcięcia kończyny lub okaleczenia.



Zagrożenie pożarowe



Przed dokonywaniem regulacji lub napraw

- Odłączyć przewód świecy zapłonowej i odsunąć go od świecy.
- Rozłączyć akumulator przy zacisku ujemnym (tylko w przypadku silników z rozrusznikiem elektrycznym).
- Stosować należy jedynie właściwe narzędzia.
- Nie wolno manipulować sprężynami, cięgnami lub innymi częściami regulatora obrotów w celu zwiększenia prędkości obrotowej silnika.
- Części zamienne muszą być takiej samej konstrukcji i muszą zostać zamontowane w takim samym położeniu, jak części oryginalne. Inne części mogą nie działać tak dobrze, mogą spowodować uszkodzenie silnika i mogą prowadzić do urazu.
- Nie wolno uderzać w koło zamachowe młotkiem lub innymi twardymi przedmiotami, ponieważ koło może później rozpaść się w czasie pracy silnika.

Podczas sprawdzania iskry

- Należy użyć właściwego testera świec.
- Nie należy sprawdzać iskry na wykręconej świecy zapłonowej.

Funkcje i elementy sterowania

Porównaj ilustrację **1** z silnikiem w celu zapoznania się z położeniem różnych funkcji oraz elementów sterowania.

- A. Identyfikacja silnika
Model Typ Kod
- B. Świeca zapłonowa
- C. Pompka rozruchowa
- D. Zbiornik paliwa i korek wlewu
- E. Filtr powietrza
- F. Uchwyt linki rozrusznika
- G. Prętowy wskaźnik poziomu oleju
- H. Tłumik
Osłona tłumika (jeżeli jest na wyposażeniu)
Siatka przeciwiskrowa (jeżeli jest na wyposażeniu)
- I. Sterowanie przepustnicą (jeżeli jest na wyposażeniu)

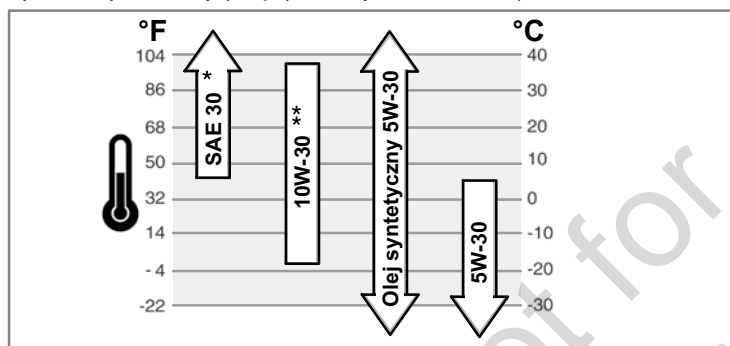
Użytkowanie

Pojemność miski olejowej (patrz rozdział **Dane techniczne**)

Zalecenia dotyczące oleju

W celu uzyskania najlepszych osiągnięć zalecamy korzystanie z certyfikowanego gwarancyjnie oleju Briggs & Stratton. Dopuszczalne są pozostałe oleje wysokiej jakości olej z dodatkiem detergentu, jeżeli noszą oznaczenie "For Service SF, SG, SH, SJ" lub wyższe. Nie należy stosować specjalnych dodatków.

Odpowiednią lepkość oleju w silniku określa temperatura otoczenia. Skorzystać z wykresu, aby dobrać najlepszą lepkość oleju dla zakresu temperatur otoczenia.



* Jeśli olej SAE 30 zostanie użyty w temperaturze poniżej 4°C, wystąpią trudności z uruchomieniem silnika.

** Zastosowanie oleju 10W-30 w temperaturach wyższych niż 27°C może spowodować wyższe niż normalne zużycie oleju. Należy częściej sprawdzać poziom oleju.

Sprawdzenie poziomu/dodawanie oleju - Rysunek 2 3

Przed dodaniem lub sprawdzeniem poziomu oleju

- Ustawić silnik poziomo.
- Oczyszczyć z wszelkich zanieczyszczeń obszar wlewu oleju.
- 1. Wyjąć miarkę poziomu oleju (G) i wytrzeć czystą szmatką (Rysunek 2, Rysunek 3).
- 2. Włożyć i mocno docisnąć miarkę poziomu oleju.
- 3. Wyjąć ponownie miarkę poziomu oleju i sprawdzić poziom oleju. Powinien on znajdować się na górnej części znaku całkowitego napełnienia (J) na miarce poziomu.
- 4. Jeżeli jest niski, dodać oleju, dolewając go powoli do wlewu oleju (H). **Nie przepelniać.** Po nalaniu oleju odczekać jedną minutę i sprawdzić poziom oleju.
- 5. Założyć ponownie i docisnąć miarkę poziomu oleju.

System ochrony przed niskim poziomem oleju (jeśli jest na wyposażeniu)

Niektóre silniki wyposażone są w czujnik niskiego poziomu oleju. Jeśli poziom oleju jest niski, czujnik aktywuje lampkę ostrzegawczą lub zatrzymuje silnik. Zatrzymaj silnik i postępuj zgodnie z podanymi krokami przez ponownym uruchomieniem silnika.

- Upewnij się, czy silnik jest wypoziomowany.
- Sprawdź poziom oleju. Patrz rozdział **Sprawdzenie poziomu/dodawanie oleju.**
- Jeśli poziom oleju jest niski, dodaj odpowiednią ilość oleju. Uruchom silnik i upewnij się, czy lampka ostrzegawcza (jeśli jest na wyposażeniu) nie świeci się.
- Jeżeli poziom oleju nie jest niski, **nie uruchamiaj** silnika. Skontaktuj się z autoryzowanym serwisem Briggs & Stratton w celu usunięcia problemu z olejem.

Zalecenia dotyczące paliwa

Paliwo musi spełniać następujące wymagania:

- Czysta, świeża benzyna bezołowiowa.

- Minimalna liczba oktanowa 87/87 AKI (91 RON). W przypadku pracy na wysokim pułapie, patrz poniżej.
- Dozwolona jest benzyna o zawartości do 10% etanolu (gazoholu).

UWAGA: Nie wolno stosować niedopuszczonych benzyn takich jak E15 i E85. Nie wolno mieszać oleju napędowego z benzyną lub modyfikować silnika w celu dostosowania do pracy na paliwach alternatywnych. Stosowanie niedopuszczalnych paliw spowoduje uszkodzenie elementów silnika i **utrata gwarancji na silnik.**

W celu ochrony układu paliwowego przed tworzeniem się żywic, należy wymieszać paliwo ze stabilizatorem paliwa. Patrz **Przechowywanie.** Każde paliwo jest inne. W przypadku wystąpienia problemów z uruchamianiem lub wydajnością, zmienić dostawcę lub gatunek stosowanego paliwa. Silnik przystosowany jest do zasilania benzyną. System ograniczenia zanieczyszczeń w spalinach dla silnika, to EM (modyfikacje silnika).

Zastosowanie na dużej wysokości

Na wysokościach powyżej 1524 metrów dopuszczalna jest benzyna o minimalnej liczbie oktanowej 85/85 AKI (89 RON). Aby emisja zanieczyszczeń pozostała zgodna z wymaganiami, wymagana jest regulacja do dużej wysokości. Praca bez takiej regulacji spowoduje obniżenie parametrów, zwiększone zużycie paliwa oraz zwiększoną emisję spalin. Informacje dotyczące regulacji do dużej wysokości można znaleźć u każdego autoryzowanego sprzedawcy Briggs & Stratton.

Nie jest zalecana praca silnikiem na wysokościach poniżej 762 metrów z zamontowanym zestawem do pracy na wysokości.

Dodawanie paliwa - Rysunek 4



OSTRZEŻENIE



Paliwo i jego opary stanowią duże zagrożenie ze względu na ich łatwopalność i wybuchowość.



Pożar lub wybuch mogą przyczynić się do poważnych poparzeń lub doprowadzić do śmierci.

Podczas uzupełniania paliwa

- Wyłączyć silnik i pozwolić mu ochłodzić się przez co najmniej 2 minuty, zanim zostanie zdjęty korek wlewu paliwa.
- Napełniać zbiornik paliwa na powietrzu lub w dobrze wentylowanym pomieszczeniu.
- Nie przepelniać zbiornika paliwa. W celu umożliwienia rozszerzania benzyny nie napełniać powyżej dołu szyjki wlewu do zbiornika.
- Paliwo należy przechowywać z dala od isker, otwartych płomieni, lampek kontrolnych, ciepła i innych źródeł zapłonu.
- Sprawdź przewody paliwa, zbiornik, korek wlewu i osprzęt pod kątem pęknięć lub przecieków. Jeżeli zajdzie potrzeba, wymienić.
- W przypadku rozlania paliwa należy odczekać z uruchomieniem silnika aż do jego wyparowania.

1. Oczyszczyć obszar wokół korka wlewu paliwa z zabrudzeń i zanieczyszczeń. Odkręcić korek wlewu paliwa (A, Rysunek 4).
2. Napełnić zbiornik paliwa (B) benzyną. W celu umożliwienia rozszerzania benzyny nie napełniać powyżej dołu szyjki wlewu do zbiornika (C).
3. Ponownie założyć korek wlewu paliwa.

Uruchamianie silnika - Rysunek 5 6



OSTRZEŻENIE



Gwałtowne wciąganie linki rozrusznika (odbicie) bardzo mocno szarpnie rękę w kierunku silnika.

W następstwie może dojść do złamania, pęknięcia kości, powstania siniaków lub naddzięnięcia mięśnia albo ścięgna.

- W celu uruchomienia silnika ciągnąć powoli uchwyt rozrusznika ręcznego do wycucia oporu, a następnie pociągnąć gwałtownie, aby uniknąć odbicia.



OSTRZEŻENIE



Paliwo i jego opary stanowią duże zagrożenie ze względu na ich łatwopalność i wybuchowość.



Pożar lub wybuch mogą przyczynić się do poważnych poparzeń lub doprowadzić do śmierci.

Podczas rozruchu silnika

- Upewnij się, czy świeca zapłonowa, tłumik, korek wlewu paliwa i filtr powietrza (jeśli jest na wyposażeniu) znajdują się we właściwym miejscu i czy są dobrze przymocowane.
- Nie obracać wałem korbowym silnika, kiedy świeca zapłonowa jest wykręcona.
- W przypadku zalania silnika należy ustawić przepustnicę ssania (jeżeli jest na wyposażeniu) w pozycji OTWARTEJ/pracy, przepustnicę (jeżeli jest na wyposażeniu) w pozycji SZYBKIEJ pracy i obracać wałem korbowym, aż silnik zacznie pracować.



OSTRZEŻENIE





NIEBEZPIECZEŃSTWO TRUJĄCY GAZ. Gazy spalinowe silnika zawierają tlenek węgla, trujący gaz, który może zabić cię w ciągu minut. **NIE MOŻESZ zobaczyć go, powąchać lub posmakować. Nawet jeśli nie czujesz gazu spalinowego, wciąż możesz być narażony na tlenek węgla. Jeśli poczujesz się niezdrowo, będziesz oszołomiony lub osłabiony używając tego produktu, wyłącz go i wyjdź NATYCHMIAST na świeże powietrze. Udaj się do lekarza. Możesz być zatruty tlenkiem węgla.**

- Korzystaj z tego produktu WYŁĄCZNIE na zewnątrz z dala od okien, drzwi i otworów wentylacyjnych, aby zmniejszyć ryzyko gromadzenia się tlenku węgla i potencjalnego wciągnięcia go do pomieszczeń zajmowanych przez ludzi.
- Zainstaluj bateryjne alarmy tlenku węgla lub alarmy tlenku węgla wkładane do gniazdka z podtrzymaniem bateryjnym zgodnie z instrukcją producenta. Alarmy z detektorem dymu nie mogą wykryć tlenku węgla.
- NIE korzystaj z tego produktu wewnątrz domów, garaży, piwnic, piwnic niskich, komórek lub innych częściowo zamkniętych przestrzeni nawet wtedy, gdy używa się wentylatorów lub otwiera drzwi i okna w celu wentylacji. Tlenek węgla może szybko zgromadzić się w tych miejscach i może zalegać godzinami, nawet po wyłączeniu tego produktu.
- ZAWSZE umieść ten produkt z wiatrem i skieruj wydech silnika z dala od pomieszczeń używanych przez ludzi.

UWAGA: Niniejszy silnik wysyłany jest z Briggs & Stratton bez oleju. Przed uruchomieniem silnika należy pamiętać o dodaniu oleju, zgodnie z opisem zawartym w niniejszej instrukcji. W przypadku uruchomienia silnika bez oleju, silnik zostanie uszkodzony w sposób uniemożliwiający naprawę i nie będzie objęty gwarancją.

Uwaga: Wyposażenie może mieć sterowanie zdalne. Położenie i sposób obsługi elementów zdalnego sterowania, patrz instrukcja wyposażenia.

1. Sprawdzić poziom oleju w silniku. Patrz rozdział **Sprawdzenie poziomu/dodawanie oleju**.
2. Upewnić się, czy elementy sterowania napędem, jeżeli są, są odłączone.
3. Przesunąć dźwignię sterowania przepustnicą (A, Rysunek 5), jeżeli jest na wyposażeniu, do położenia szybkiej pracy . Pracować silnikiem z dźwignią sterowania przepustnicą w położeniu szybkiej pracy .

4. Podczas pierwszego uruchamiania nowego silnika, mocno wcisnąć czerwoną gumkę pompki rozruchowej (B) pięć razy. Następnie, podczas wszystkich kolejnych rozruchów, wcisnąć gumkę pompki rozruchowej trzy razy (Rysunek 5).

Uwaga: Jeżeli w silniku nastąpiło wyczerpanie paliwa lub był on przechowywany przez dłuższy okres czasu, konieczne może być wciśnięcie gumki pompki rozruchowej 5 razy.

Uwaga: Podczas ponownego uruchamiania ciepłego silnika, stosowanie pompki rozruchowej zwykle nie będzie konieczne.

Uwaga: Jeżeli gumka pompki rozruchowej zostanie ściśnięta zbyt wiele razy, nadmiar paliwa zaleje gaźnik i trudno będzie uruchomić silnik.

5. Jeżeli produkt wyposażony jest w dźwignię wyłączenia silnika (C), docisnąć dźwignię wyłączenia silnika do uchwyty (Rysunek 6).
6. Mocno chwycić uchwyt rozrusznika linkowego (D). Ciągnąć powoli uchwyt rozrusznika ręcznego do wycucia oporu, a następnie pociągnąć gwałtownie (Rysunek 5).


Uwaga: Jeżeli silnik nie uruchomi się po kilku próbach, powtórz kroki 4, 5 i 6. Jeżeli dalej się nie uruchamia, wejść na stronę **BRIGGSandSTRATTON.COM** lub zadzwonić pod numer **1-800-233-3723** (tylko w USA).



OSTRZEŻENIE: Gwałtowne zwiniecie linki rozrusznika (odbicie) spowoduje szybsze niż powinieneś pozwolić, przyciągnięcie ręki i ramienia do silnika. Może to spowodować złamanie kości, pęknięcia, zranienia lub wżnięcia. W celu uruchomienia silnika ciągnąć powoli uchwyt rozrusznika ręcznego do wycucia oporu, a następnie pociągnąć gwałtownie, aby uniknąć odbicia.

Wyłączanie silnika - Rysunek 6

Puścić dźwignię wyłączenia silnika (E). Patrz rysunek 6.

Silnik ze sterowaniem przepustnicą: Przesunąć dźwignię sterowania przepustnicą (A, Rysunek 5) do położenia stop .

Konserwacja

UWAGA: Jeżeli silnik jest w czasie konserwacji wywracany, zbiornik paliwa **musi być pusty**, a strona świecy zapłonowej **musi być skierowana do góry**. Jeżeli zbiornik paliwa nie jest pusty i silnik jest wywracany w innym kierunku, może być problem z jego uruchomieniem ze względu na zanieczyszczenie filtra powietrza i/lub świecy zapłonowej olejem lub benzyną.



OSTRZEŻENIE: Jeżeli wykonuje się konserwację, która wymaga przechylenia zespołu, zbiornik paliwa musi być opróżniony, gdyż w przeciwnym wypadku może dojść do wycieku paliwa, który może spowodować pożar lub wybuch.

Zalecamy skontaktowanie się z autoryzowanym dealerm Briggs & Stratton w kwestii konserwacji i napraw silnika i części silnika.

UWAGA: W celu zapewnienia prawidłowego działania silnika wszystkie elementy wykorzystane do jego wytworzenia muszą pozostawać na swoim miejscu.

Kontrola emisji spalin

Konserwacja, wymiana lub naprawa urządzeń i systemów przeznaczonych do kontroli emisji spalin może być wykonywana przez dowolny warsztat naprawy silników lub osobę indywidualną. Jednak, aby uzyskać "bezpłatny" serwis urządzeń kontroli emisji spalin, czynność ta musi być wykonywana przez autoryzowanego sprzedawcę fabrycznego. Patrz Gwarancja emisji.



OSTRZEŻENIE

Nieumyślne iskrzenie może doprowadzić do pożaru lub porażenia elektrycznego.

Nieumyślny rozruch może doprowadzić do zaplądania, odcięcia kończyny lub okaleczenia.

Zagrożenie pożarowe



Przed dokonywaniem regulacji lub napraw

- Odłączyć przewód świecy zapłonowej i odsunąć go od świecy.
- Rozłączyć akumulator przy zacisku ujemnym (tylko w przypadku silników z rozrusznikiem elektrycznym).
- Stosować należy jedynie właściwe narzędzia.
- Nie wolno manipulować sprężynami, cięgnami lub innymi częściami regulatora obrotów w celu zwiększenia prędkości obrotowej silnika.
- Części zamienne muszą być takiej samej konstrukcji i muszą zostać zamontowane w takim samym położeniu, jak części oryginalne. Inne części mogą nie działać tak dobrze, mogą spowodować uszkodzenie silnika i mogą prowadzić do urazu.
- Nie wolno uderzać w koło zamachowe młotkiem lub innymi twardymi przedmiotami, ponieważ koło może później rozpaść się w czasie pracy silnika.

Podczas sprawdzania iskry

- Należy użyć właściwego testera świec.
- Nie należy sprawdzać iskry na wykręconej świecy zapłonowej.

Schemat konserwacji

Po pierwszych 5 godzinach pracy
<ul style="list-style-type: none">Wymiana oleju
Po każdych 8 godzinach pracy lub codziennie
<ul style="list-style-type: none">Sprawdzić poziom oleju w silniku.Oczyszczyć obszar dookoła tłumika elementów sterowania.
Co każde 25 godzin lub co roku
<ul style="list-style-type: none">Oczyszczyć filtr powietrza *
Co każde 50 godzin lub co roku
<ul style="list-style-type: none">Wymienić olej silnikowySprawdzić tłumik i chwytacz iskier
Raz do roku
<ul style="list-style-type: none">Wymienić filtr powietrza.Wymienić świecę zapłonowąOczyszczenie układu chłodzenia powietrzem *

* W warunkach zapylenia lub zanieczyszczeń występujących w powietrzu, należy czyścić częściej.

Regulacja gaźnika i prędkości silnika

Nigdy nie reguluj gaźnika ani prędkości silnika. Gaźnik został ustawiony fabrycznie dla wydajnej pracy w większości warunków. Nie manipuluj przy sprężynie regulatora, łącznikach lub innych częściach, aby zmienić prędkość silnika. Jeśli wymagane są regulacje, skontaktuj się z autoryzowanym centrum serwisowym Briggs & Stratton w sprawie serwisu.

NOTICE: Producent wyposażenia określa prędkość maksymalną dla silnika zainstalowanego w wyposażeniu. **Nie przekraczać** tej prędkości. Jeśli nie jesteś pewien, jaka jest maksymalna prędkość wyposażenia lub jaka jest nastawa fabryczna prędkości silnika, skontaktuj się z autoryzowanym centrum serwisowym Briggs & Stratton, aby uzyskać pomoc. Dla bezpiecznego i prawidłowego działania wyposażenia, prędkość obrotowa silnika powinna być regulowana wyłącznie przez wykwalifikowanego technika serwisu.

Wymiana świecy zapłonowej - Rysunek 7

Wymieniać świecę zapłonową co roku. Sprawdzić odstęp (A, Rysunek 7) za pomocą szczelnomierni (B). Jeżeli konieczne, ponownie ustawić odstęp elektrod. Zamontować i przykręcić świecę zapłonową zalecanym momentem. Wielkość szczeliny oraz moment, patrz rozdział **Dane techniczne**.

Uwaga: Na niektórych terenach w celu stłumienia sygnałów zapłonu należy użyć świecy z rezystorem. Jeżeli na wyposażeniu była świeca zapłonowa z rezystorem, należy upewnić się, czy wymieniana świeca jest tego samego typu.

Sprawdzić tłumik i chwytacz iskier - Rysunek 8



OSTRZEŻENIE



Pracujący silnik wydziela ciepło. Niektóre części silnika, w szczególności tłumik, stają się bardzo gorące.

Przy kontakcie z nimi mogą powstać poważne oparzenia.



Łatwopalne pozostałości w postaci liści, trawy, brudu, itd. mogą się łatwo zapalić.

- Przed dotknięciem tłumika, cylindra silnika i żeberek odczekać aż do ich schłodzenia.
- Usunąć zgromadzony łatwopalny brud z okolic tłumika i cylindra.
- Naruszeniem kodeksu Zasobów Publicznych stanu Kalifornia, rozdział 4442, jest używanie lub obsługa silnika na terenie leśnym, pokrytym krzewami lub trawą, chyba że układ wydechowy wyposażony jest w gasik iskier, zgodnie z definicją podaną w rozdziale 4442 oraz utrzymywany w stanie sprawnym. Inne stany lub jurysdykcje federalne mogą mieć podobne przepisy. Skontaktuj się z producentem wyposażenia oryginalnego, sprzedawcą detalicznym lub hurtowym, aby otrzymać gasik iskier zaprojektowany dla układu wydechowego zainstalowanego w tym silniku.

Usunąć zanieczyszczenia zgromadzone w obszarze tłumika i cylindra. Skontrolować tłumik (A) pod kątem pęknięć, korozji lub innych uszkodzeń. Zdemontować chwytacz iskier (B), jeżeli jest na wyposażeniu, i sprawdzić pod kątem uszkodzeń lub osadzeń sadzy. W przypadku stwierdzenia uszkodzeń, przed uruchomieniem zamontować części zamienne.



OSTRZEŻENIE: Części zamienne muszą być takiej samej konstrukcji i muszą zostać zamontowane w takim samym położeniu, jak części oryginalne. Inne części mogą nie działać tak dobrze, mogą spowodować uszkodzenie silnika i mogą prowadzić do urazu.

Wymiana oleju - Rysunek 2 3 9 10



OSTRZEŻENIE



Paliwo i jego opary stanowią duże zagrożenie ze względu na ich łatwopalność i wybuchowość.



Pożar lub wybuch mogą przyczynić się do poważnych poparzeń lub doprowadzić do śmierci.

- Jeżeli olej spuszcza się przez wlew oleju, zbiornik paliwa musi być pusty, gdyż w przeciwnym wypadku może dojść do wycieku paliwa, który może spowodować pożar lub wybuch.

Zużyty olej jest odpadem niebezpiecznym. Utylizować zużyty olej zgodnie z przepisami. Nie wylewać go do odpadków domowych. Informacje odnośnie miejsc utylizacji oleju można uzyskać od władz lokalnych, centrów serwisowych lub u dealera.

Usunąć olej

Olej musi być spuszczaany przez wlew oleju (E, Rysunek 10).

- Na ciepłym silniku odłączyć przewód świecy zapłonowej (A) i trzymać go z dala od świecy (Rysunek 9).
- Wyjąć prętowy wskaźnik poziomu oleju (G, Rysunek 2).
- Jeżeli olej spuszcza się przez górny wlew oleju (E), koniec silnika ze świecą zapłonową powinien być utrzymywany w położeniu skierowanym (F) do góry (Rysunek 10). Spuścić olej do zatwierdzonego pojemnika.



OSTRZEŻENIE: Jeżeli olej spuszcza się przez wlew oleju, zbiornik paliwa musi być pusty, gdyż w przeciwnym wypadku może dojść do wycieku paliwa, który może spowodować pożar lub wybuch. Aby opróżnić zbiornik paliwa należy uruchomić silnik i odczekać, aż zatrzyma się samoczynnie z powodu braku paliwa.

Dodawanie oleju

- Ustawić silnik poziomo.
- Oczyszczyć z wszelkich zanieczyszczeń obszar wlewu oleju.
- Pojemność oleju, patrz rozdział **Dane techniczne**.

- Wyjąć miarkę poziomu (G) i wytrzeć czystą szmatką (Rysunek 2, Rysunek 3).
- Dolewać oleju powoli do wlewu oleju silnika (H). **Nie przepelniać.** Po nalaniu oleju odczekać jedną minutę i sprawdzić poziom oleju.
- Założyć ponownie i docisnąć miarkę poziomu oleju.
- Wyjąć ponownie miarkę poziomu oleju i sprawdzić poziom oleju. Powinien on znajdować się na górnej części znaku całkowitego napełnienia (J) na miarce poziomu.
- Założyć ponownie i docisnąć miarkę poziomu oleju.

Serwisowanie filtra powietrza - Rysunek 11 12



OSTRZEŻENIE



Paliwo i jego opary stanowią duże zagrożenie ze względu na ich łatwopalność i wybuchowość.



Pożar lub wybuch mogą przyczynić się do poważnych poparzeń lub doprowadzić do śmierci.

- Nigdy nie uruchamiać lub nie pracować silnikiem z wymontowanym filtrem powietrza (jeśli jest na wyposażeniu) lub wyjętym wkładem filtra (jeśli jest na wyposażeniu).

UWAGA: Nie używać do czyszczenia filtra sprężonego powietrza i rozpuszczalników. Sprężone powietrze może uszkodzić filtr; a rozpuszczalniki spowodują rozpuszczenie wkładu.

Pokazane zostały dwa systemy filtrów powietrza, **Standardowy** i **Wysokowydajny**. Określ typ występujący w Twoim silniku i odpowiednio serwisuj.

Standardowy filtr powietrza - Rysunek 11

Standardowy filtr powietrza korzysta z elementu gąbkowego, który może być myty i wykorzystywany ponownie.

- Wykręcić wkręt (A) z góry zespołu filtra powietrza (B). Patrz rysunek 11.
- Ostrożnie wyjąć wkład filtra powietrza, w celu zapobieżenia dostaniu się zanieczyszczeń do gaźnika.
- Wyjąć wkład gąbkowy (C) z podstawy filtra powietrza.
- Umyć element gąbkowy filtra płynnym detergentem i wodą. Wycisnąć do sucha element gąbkowy w czystej szmatce.
- Nasączyć element gąbkowy filtra czystym olejem silnikowym. Aby usunąć nadmiar oleju wycisnąć element gąbkowy do czystej szmatki.
- Włożyć wkład piankowy do podstawy filtra powietrza.
- Zamontuj zespół filtra powietrza na gaźniku i przykręć śrubą.

Wysokowydajny filtr powietrza - Rysunek 12

Wysokowydajny filtr powietrza korzysta z wkładu harmonijkowego.

1. Wykręcić wkręt (A) z góry zespołu filtra powietrza (B). Patrz rysunek 12.
2. Ostrożnie wyjąć wkład filtra powietrza, w celu zapobieżenia dostaniu się zanieczyszczeń do gaźnika.
3. Wyjąć harmonijkowy filtr powietrza (C) z podstawy filtra powietrza.
4. Aby poluzować zanieczyszczenia, delikatnie stuknąć filtrem harmonijkowym o twardą powierzchnię. Jeżeli filtr harmonijkowy jest bardzo zabrudzony, wymienić go na nowy.
5. Założyć harmonijkowy filtr powietrza.
6. Zamontować zespół filtra powietrza na gaźniku i przykręcić śrubą.

Czyszczenie powietrznego układu chłodzenia

System - Rysunek 13



OSTRZEŻENIE



Pracujący silnik wydziela ciepło. Niektóre części silnika, w szczególności tłumik, stają się bardzo gorące.

Przy kontakcie z nimi mogą powstać poważne oparzenia.



Łatwopalne pozostałości w postaci liści, trawy, brudu, itd. mogą się łatwo zapalić.

- Przed dotknięciem tłumika, cylindra silnika i żeberek odczekać aż do ich schłodzenia.
- Usunąć zgromadzony łatwopalny brud z okolic tłumika i cylindra.

UWAGA: Do czyszczenia silnika nie wolno stosować wody. Woda może zanieczyścić układ paliwowy. Do czyszczenia silnika stosować szczotkę lub suchą szmatkę.

Silnik jest chłodzony powietrzem. Brud lub zanieczyszczenia mogą ograniczyć przepływ powietrza i spowodować przegrzanie silnika, powodując pogorszenie osiągnięć oraz zmniejszając jego trwałość.

Do usunięcia zanieczyszczeń z osłony palców użyć szczotki lub suchej szmatki (A). Cięgna, sprężyny i elementy sterujące (B) utrzymywać w czystości. Obszar dookoła i za tłumkiem (C) oczyścić ze wszystkich palnych zanieczyszczeń (Rysunek 13).

Przechowywanie



OSTRZEŻENIE



Paliwo i jego opary stanowią duże zagrożenie ze względu na ich łatwopalność i wybuchowość.



Pożar lub wybuch mogą przyczynić się do poważnych poparzeń lub doprowadzić do śmierci.

W przypadku magazynowania paliwa lub urządzeń z paliwem w zbiorniku

- Przechowywać z dala od pieców, grzejników wody lub innych urządzeń z lampkami kontrolnymi lub innych źródeł zapłonu, ponieważ mogą one spowodować zapalenie oparów paliwa.

Układ paliwowy

Paliwo może ulec zesterzeniu, jeżeli jest przechowywane przez okres ponad 30 dni. Zestarałe paliwo powoduje tworzenie się kwasu i żywicy w układzie paliwowym lub na ważnych częściach gaźnika. W celu utrzymania świeżości paliwa, **Briggs & Stratton zaleca stosowanie dodatku i stabilizatora paliwa o udoskonalonej formule**, dostępnego wszędzie tam, gdzie sprzedawane są oryginalne części serwisowe Briggs & Stratton.

W przypadku silników wyposażonych w korki wlewu paliwa do wkładów FRESH START®, firma Briggs & Stratton zaleca stosowanie wkładów z koncentratem stabilizatora paliwa FRESH START®.

Nie ma potrzeby spuszczenia paliwa z silnika, jeżeli stabilizator paliwa dodawany jest zgodnie z instrukcją. Przed przechowaniem pracować silnikiem przez 2 minuty, w celu rozprzodzenia stabilizatora w układzie paliwowym.

Przed przechowywaniem, jeżeli do paliwa nie został dodany stabilizator, należy usunąć paliwo silnika do odpowiedniego zbiornika. Następnie należy uruchomić silnik i odczekać, aż zatrzyma się samoczynnie z powodu braku paliwa. Zalecane jest zastosowanie w kanistrze magazynowym stabilizatora paliwa, w celu utrzymania jego świeżości.

Olej silnikowy

Kiedy silnik jest gorący, wymienić olej.

UWAGA: Przechowywać silnik poziomo (normalna pozycja pracy). Jeżeli silnik jest w czasie przechowywania wywracany, zbiornik paliwa **musi być pusty**, a strona świecy zapłonowej **musi być skierowana do góry**. Jeżeli zbiornik paliwa nie jest pusty i silnik jest wywracany w innym kierunku, może być problem z jego uruchomieniem ze względu na zanieczyszczenie filtra powietrza i/lub świecy zapłonowej olejem lub benzyną.

Wykrywanie usterek

Potrzebujesz pomocy? Wejdź na stronę BRIGGSandSTRATTON.COM, www.chabin.pl lub zadzwoń **1-800-233-3723** (tylko w USA).

Dane techniczne

Dane techniczne silników

Model	90000
Pojemność skokowa	148 cm sześć
Otwór	65,08 mm
Skok	44,45 mm
Pojemność miski olejowej	0,54 - 0,59 l

Dane techniczne silników

Model	100000
Pojemność skokowa	158 cm sześć
Otwór	65,08 mm
Skok	47,65 mm
Pojemność miski olejowej	0,54 - 0,59 l

Dane regulacyjne*

Model	90000, 100000
Szczelina świecy	0,76 mm
Moment dokręcania świecy zapłonowej	20 Nm
Szczelina powietrzna cewki	0,15 - 0,25 mm
Luz zaworu ssącego	0,13 - 0,18 mm
Luz zaworu wydechowego	0,18 - 0,23 mm

* Moc silnika spadnie o 3,5% na każde 300 metrów powyżej poziomu morza i 1% na każde 5,6° C powyżej 25° C. Silnik będzie pracował zadowalająco przy nachyleniu pod kątem do 15. Dopuszczalne ograniczenia dla bezpiecznej pracy na pochyłościach zawarte są w instrukcji obsługi wyposażenia.

Typowe części zamienne

Części zamienne	Numer części
Standardowy filtr powietrza	698369
Wysokowydajny filtr powietrza	797819
Olej – SAE 30	100005
Dodatek do paliwa	5041, 5058
Świeca zapłonowa o podwyższonej oporności	796112
Platynowa świeca zapłonowa o podwyższonej trwałości	5062
Klucz do świecy zapłonowej	89838, 5023
Tester iskry	19368

✓ Zalecamy skontaktowanie się z autoryzowanym dealerem Briggs & Stratton w kwestiach konserwacji i napraw silnika i części silnika.

GWARANCJA OGRANICZONA

Firma Briggs & Stratton gwarantuje, że w określonym poniżej okresie gwarancyjnym naprawi lub wymieni bezpłatnie każdą część, które została wykonana wadliwie lub z wadliwego materiału, względnie z obydwu tych przyczyn. Koszty transportu produktów dostarczanych do naprawy lub wymiany w ramach niniejszej Gwarancji ponosi nabywca. Gwarancja ta jest ważna przez wymienione w świadectwie okresy czasu i podlega jego warunkom niżej wymienionym. W celu uzyskania usługi gwarancyjnej należy znaleźć najbliższego autoryzowanego dealera serwisowego na mapie dealerów pod adresem BRIGGSandSTRATTON.com. Nabywca musi skontaktować się z autoryzowanym dealerskim serwisowym i następnie udostępnić mu produkt do inspekcji i testowania.

Nie istnieje żadna inna wyraźna gwarancja. Gwarancje domniemane, włącznie ze specjalnymi gwarancjami udzielanymi przez handlowców, są ograniczone do jednego roku od chwili dokonania zakupu lub obowiązują w okresie dopuszczalnym przez prawo. Wyklucza się wszelkie gwarancje domniemane. Wyklucza się odpowiedzialność za szkody przypadkowe lub pośrednie w takim zakresie, w jakim jest to dopuszczalne przez prawo. W niektórych krajach lub stanach nie zezwala się na ograniczenia co do długości trwania gwarancji domniemanej, zaś w innych krajach lub stanach nie zezwala się na wykluczenie lub ograniczenie szkód przypadkowych lub pośrednich, tak więc wyżej wymienione ograniczenie lub wykluczenie może Państwa nie dotyczyć. Gwarancja ta zapewnia Państwu określone ustawowe prawa oprócz innych praw obowiązujących w różnych krajach lub stanach**.

WARUNKI GWARANCJI STANDARDOWEJ * ▲

Marka/Rodzaj produktu	Zastosowanie konsumenckie	Zastosowanie komercyjne
Vanguard™ ■	3 lata	3 lata
Commercial Turf Series™	2 lata	2 lata
Extended Life Series™; I/C®; Intek™ I/C®; Intek™ Pro;™ Professional Series™ z tuleją żeliwną Dura-Bore™; 850 Series™ z tuleją żeliwną Dura-Bore™; Snow Series MAX™ z tuleją żeliwną Dura-Bore™ Wszystkie pozostałe silniki Briggs & Stratton posiadające tuleję żeliwną Dura-Bore™	2 lata	1 rok
Wszystkie pozostałe silniki Briggs & Stratton	2 lata	90 dni

* Są to nasze standardowe warunki gwarancji, ale w niektórych przypadkach zakres gwarancji może być rozszerzony, co nie zostało określone w momencie publikacji. Lista aktualnych warunków gwarancji dla Twojego silnika znajduje się na stronie BRIGGSandSTRATTON.COM lub można ją uzyskać u autoryzowanego dealera serwisowego firmy Briggs & Stratton.

** W Australii – nasze towary posiadają gwarancje, których nie można wykluczyć według Australijskiego Prawa Konsumenta. Macie Państwo prawo do wymiany lub zwrotu w przypadku poważnej wady i odszkodowania za inne możliwe do przewidzenia straty i szkody. Macie Państwo również prawo do naprawy lub wymiany towaru, gdy jakość towaru nie jest możliwa do przyjęcia i wada nie jest poważna. W celu uzyskania usługi gwarancyjnej należy skontaktować się z najbliższym autoryzowanym dealerskim serwisowym zgodnie z mapą autoryzowanych dealerów na stronie BRIGGSandSTRATTON.COM lub zadzwonić pod numer 1300 274 447 lub wysłać e-mail bądź napisać na adres salesenquiries@briggsandstratton.com.au, Briggs & Stratton Australia Pty Ltd, 1 Moorebank Avenue, Moorebank, NSW, Australia, 2170.

▲ Silniki wykorzystywane w domowych generatorach awaryjnych: tylko 2 lata gwarancji według zastosowania konsumenckiego. Brak gwarancji komercyjnej. Niniejsza gwarancja nie dotyczy silników lub wyposażenia stosowanego jako pierwsze źródło zasilania zamiast publicznej sieci zasilania. **Silniki stosowane w rajdach lub w pojazdach używanych do celów komercyjnych lub wypożyczanych nie posiadają gwarancji.**

■ Silniki Vanguard wykorzystywane w generatorach awaryjnych: 2 letnia gwarancja według zastosowania konsumenckiego i nie posiadają gwarancji komercyjnej. Silniki Vanguard wykorzystywane w pojazdach użytkowych: 2 letnia gwarancja według zastosowania konsumenckiego i 2 letnia gwarancja komercyjna. 3-cylindrowy silnik Vanguard chłodzony cieczą; zob. świadectwo gwarancyjne dla właścicieli silników Briggs & Stratton 3/LC.

Okres gwarancyjny rozpoczyna się w dniu zakupu przez pierwszego konsumenta detalicznego lub komercyjnego użytkownika końcowego, oraz trwa przez okres czasu wymieniony w powyższej tabeli. "Zastosowanie konsumenckie" oznacza osobiste użytkowanie (sprzętu) w gospodarstwie domowym przez konsumenta detalicznego. "Zastosowanie komercyjne" oznacza inne użytkownikowe, włącznie z użyciem dla celów komercyjnych, produkcją zarobkową lub wynajmem. Jeżeli silnik był, choć raz stosowany w celach komercyjnych, to w rozumieniu tej gwarancji traktowany będzie jako silnik o zastosowaniu komercyjnym.

W celu uzyskania gwarancji na produkty firmy Briggs & Stratton nie trzeba dokonywać rejestracji gwarancji. Należy jedynie zachować dowód zakupu. W przypadku, gdy klient nie przedstawi dowodu zakupu z pierwszą datą zakupu w momencie zgłoszenia usługi gwarancyjnej, okres gwarancyjny zostanie określony na podstawie daty produkcji produktu.

Informacja o gwarancji

Briggs & Stratton przyjmuje naprawę gwarancyjną i przeprasza Państwa za utrudnienia. Autoryzowany dealer serwisowy może wykonać naprawy gwarancyjne. Większość napraw gwarancyjnych wykonywanych jest rutynowo, lecz czasami żądania serwisu gwarancyjnego mogą być nieodpowiednie. Aby uniknąć nieporozumień pomiędzy klientem i dealerskim, poniżej wyszczególniono niektóre przyczyny uszkodzeń silnika, które nie są objęte gwarancją.

Normalne zużycie: Silniki, tak jak wszystkie urządzenia mechaniczne wymagają, w celu poprawnego działania, okresowej wymiany części i serwisowania. Niniejsza gwarancja nie obejmuje napraw elementów w przypadkach, kiedy normalne zużycie ograniczyło żywotność części i silnika. Gwarancją nie są objęte przypadki uszkodzenia silnika na skutek jego niewłaściwego użycia, braku rutynowej konserwacji, uszkodzenia podczas transportu, manipulowania przy nim, niewłaściwego przechowywania lub instalacji. Podobnie, gwarancja jest nieważna w przypadku usunięcia numeru seryjnego silnika lub modyfikacji albo zmiany silnika

Niewłaściwa konserwacja: Żywotność silnika zależy od warunków, w jakich pracuje i konserwacji, którą mu się zapewnia. Silnik wykorzystywany w maszynach rolniczych, pompach i kosiarkach rotacyjnych poddawany jest często działaniu kurzu i brudu, co prowadzi do przedwczesnego zużycia. Zużycie spowodowane brudem, kurzem, proszkiem do czyszczenia świący lub innym materiałem ściernym, który dostał się do silnika z powodu niewłaściwej konserwacji, nie zostało objęte gwarancją.

Gwarancja obejmuje wyłącznie wady materiałów silnika i/lub robociznę, natomiast nie dotyczy ona wymiany lub zwrotu kosztów sprzętu, w którym zamontowano silnik. Gwarancji rozszerzonej nie podlegają naprawy z uwagi na:

- 1 Problemy spowodowane przez części, które nie są oryginalnymi częściami firmy Briggs & Stratton.
- 2 Regulatory lub instalacje stanowiące wyposażenie, które uniemożliwiają uruchomienie, są przyczyną niezadawalającej pracy silnika lub skracają żywotność silnika. (Należy skontaktować się z producentem sprzętu.)
- 3 Przeciekające gaźniki, zatłokane przewody paliwowe, zablokowane zawory lub inne uszkodzenia spowodowane przez używanie zanieczyszczonego lub zestarzałego paliwa.

- 4 Części zarysowane lub pęknięte wskutek obsługi przy niewystarczającej ilości oleju lub oleju zawierającego zanieczyszczenia, albo olej niewłaściwej klasy (poziom oleju należy sprawdzać i uzupełniać, kiedy to konieczne, a olej wymienić w zalecanych odstępach czasu). W przypadku czujnika poziomu oleju OIL GARD może nie nastąpić wyłączenie silnika. Silnik może ulec uszkodzeniu, gdy olej nie jest utrzymywany na właściwym poziomie.
- 5 Naprawę lub ustawienie współpracujących części lub zespołów takich jak sprzęgła, przekładnie, zdalne regulatory itp. nie będące produktem firmy Briggs & Stratton.
- 6 Uszkodzenie lub zużycie części spowodowane przez brud, który dostał się do silnika wskutek niewłaściwej konserwacji filtra powietrza, ponownego montażu lub użycie nieoryginalnego wkładu lub elementu filtra powietrza. W zalecanych przedziałach czasu czyścić i/lub wymienić filtr zgodnie z opisem w Instrukcji obsługi.
- 7 Części uszkodzone wskutek przekroczenia prędkości obrotowej lub przegrzania spowodowanego przez trawę, resztki lub brud, które zatkają lub zablokują powierzchnię żeberek chłodzących lub koła wentylatora, względnie uszkodzenia spowodowane przez eksploatację silnika w przestrzeniach zamkniętych bez dostatecznej wentylacji. Usuwać zanieczyszczenia z silnika w zalecanych przedziałach czasu zgodnie z opisem w Instrukcji obsługi.
- 8 Części silnika lub wyposażenia uszkodzone przez nadmierną wibrację powstającą w efekcie luźnego montażu silnika, luźnych ostrzy tnących, niewyważonych ostrzy, lub luźnych względnie niewyważonych wirników, niewłaściwego przyłączenia osprzętu do wału korbowego silnika, nadmiernej prędkości obrotowej lub innych przypadków niewłaściwej eksploatacji.
- 9 Zgięty lub złamany wał korbowy w przypadku, kiedy uszkodzenie powstało w efekcie uderzenia ostrza tnącego kosiarki rotacyjnej w twardy przedmiot lub nadmiernej naciągu paska klinowego.
- 10 Rutynowa obsługa lub regulacja silnika.
- 11 Uszkodzony silnik lub część silnika tj. komora spalania, zawory, gniazda zaworowe, prowadnice zaworowe lub spalone uzwojenie rozrusznika silnika w efekcie stosowania paliw alternatywnych takich jak gaz propan -butan, gaz naturalny, benzyna z zawartością etanolu większą niż 10% itp.

Usługi gwarancyjne są dostępne jedynie u autoryzowanych dealerów serwisowych firmy Briggs & Stratton. W celu uzyskania usługi gwarancyjnej należy skontaktować się z najbliższym autoryzowanym dealerskim serwisowym zgodnie z mapą autoryzowanych dealerów pod adresem BRIGGSandSTRATTON.com lub dzwoniąc pod numer w USA 1-800-233-3723 (tylko w USA).

Informații generale

Acest manual conține informații privind siguranța, care vă avertizează cu privire la pericolele și riscurile asociate motoarelor și vă informează despre modul în care le puteți evita. De asemenea, conține instrucțiuni privind utilizarea și întreținerea corectă a motorului. Deoarece Briggs & Stratton Corporation nu știe cu siguranță ce tip de echipament va acționa acest motor, este important să citiți și să înțelegeți aceste instrucțiuni, precum și cele referitoare la echipamentul pe care acest motor îl va acționa. **Păstrați aceste instrucțiuni originale pentru a le putea consulta ulterior.** Notați mai jos modelul, tipul și codul motorului, împreună cu data achiziționării. Aceste date vor fi necesare la solicitarea pieselor de schimb sau pentru asistența tehnică. Consultați secțiunea Caracteristici pentru a afla unde sunt poziționate aceste numere pe motor (consultați pagina **Caracteristici și comenzi**).

Data achiziționării: _____
ZZ/LL/AAAA

Modelul motorului: _____
Model: Tip: Cod:

Evaluarea puterii: Evaluarea puterii brute a modelelor de motoare pe benzină este realizată în conformitate cu codul SAE (Society of Automotive Engineers) J1940 (Procedura de evaluare a puterii și cuplului motoarelor mici), fiind evaluată conform SAE J1995. Valorile cuplului sunt obținute la 2600 RPM pentru motoarele pe eticheta cărora se indică „rpm” și la 3060 RPM pentru celelalte; cii putere sunt obținuți la 3600 RPM. Curbele de putere brute pot fi vizualizate pe www.BRIGGSandSTRATTON.COM. Puterea netă este măsurată cu echipamentul și filtrul de aer montat, iar puterea brută este măsurată fără aceste accesorii. Puterea brută reală a motorului va fi mai mare decât puterea netă și este afectată, între altele, de condițiile ambientale de utilizare și variația de la motor la motor. Datorită gamei largi de produse care utilizează aceste motoare, este posibil ca motorul pe benzină să nu dezvolte puterea brută nominală atunci când este utilizat într-un anumit echipament. Această diferență se datorează mai multor factori, care includ dar nu se limitează la diversele componente ale motorului (filtrul de aer, echipament, încărcare, răcire, carburator, pompa de combustibil, etc.), limitările aplicației, condițiile mediului de utilizare (temperatură, umiditate, altitudine) și variația de la motor la motor. Datorită limitărilor de producție și capacitate, este posibil ca Briggs & Stratton să înlocuiască acest motor cu un motor cu o putere nominală mai mare.

Siguranța operatorului

SIMBOLURI REFERITOARE LA SIGURANȚĂ ȘI COMENZI



AVERTISMENT

Unele componente ale acestui produs și ale accesoriilor asociate conțin substanțe declarate în statul California drept cancerigene, defecte congenitale și alte probleme reproductive. Spălați-vă mâinile după utilizare.



AVERTISMENT

Gazele de eșapament de la acest motor conțin substanțe chimice care sunt cunoscute în statul California drept cauzatoare de cancer, malformații congenitale sau alte disfuncții reproductive.



AVERTISMENT

Motoarele Briggs & Stratton nu sunt proiectate și nu trebuie folosite pentru: fun-karts; go-karts; vehicule de teren (ATV-uri) de copii, recreaționale sau sportive; motocicletă; vehicule pe pernă de aer; produse aeronautice, sau vehicule folosite în competiții neaprobate de Briggs & Stratton. Pentru informații despre produse pentru competiții, accesați www.briggsracing.com. Pentru utilizarea în vehicule ATV utilitare și de două locuri, contactați Briggs & Stratton Engine Application Center, 1-866-927-3349. Folosirea incorectă a motorului poate cauza rănirea gravă sau moartea.

Simbolul de atenționare este folosit pentru a identifica informațiile despre siguranță care semnalează pericolul de vătămare. Împreună cu simbolul de atenționare este folosit un cuvânt (PERICOL, AVERTISMENT sau ATENȚIE) care indică probabilitatea și gravitatea posibilelor vătămări. În plus, poate fi folosit un simbol de pericol pentru a reprezenta tipul de pericol.



PERICOL indică un pericol care, dacă nu este evitat, **se va solda cu moartea sau cu accidentarea gravă.**



AVERTISMENT indică un pericol care, dacă nu este evitat, **se poate solda cu moartea sau cu accidentarea gravă.**



ATENȚIE indică un pericol care, dacă nu este evitat, **s-ar putea solda cu vătămări minore sau moderate.**

NOTIFICARE indică o situație care **ar putea duce la deteriorarea produsului.**

NOTIFICARE: Acest motor a fost expediat de Briggs & Stratton fără ulei. Înainte de a porni motorul, asigurați-vă că ați adăugat ulei conform cu instrucțiunile din acest manual. Pornirea motorului fără ulei provoacă deteriorarea iremediabilă a acestuia, care nu este acoperită de garanție.



AVERTISMENT



Combustibilul și vaporii săi sunt foarte inflamabili și explozivi.
Incendiul sau explozia se pot solda cu arsuri severe sau cu moartea.

Când alimentați cu combustibil

- Opriți motorul și lăsați-l să se răcească cel puțin 2 minute înainte de a scoate bușonul de combustibil.
- Umpleți rezervorul de combustibil în aer liber sau în zone bine ventilate.
- Nu supraalimentați rezervorul de combustibil. Pentru a permite dilatarea combustibilului, umpleți numai până la marginea inferioară a gâtului rezervorului de combustibil.
- Păstrați combustibilul la distanță de scântei, flăcări deschise, flăcări de veghe, căldură și de alte surse de aprindere.
- Verificați frecvent conductele de combustibil, rezervorul, bușonul și fittingurile pentru a observa eventualele crăpături sau scurgeri. Înlocuiți-le dacă este necesar
- Dacă se varsă combustibil, așteptați până când acesta se evaporă înainte de a porni motorul.

Atunci când porniți motorul

- Asigurați-vă că bujia, echipamentul, bușonul rezervorului și filtrul de aer (dacă este prevăzut) sunt montate și bine fixate.
- Nu trageți de coardă când bujia este scoasă.
- Dacă motorul se înecă, deplasați șocul (dacă este prevăzut) în poziția OPEN/RUN (DEȘCHIS/FUNCȚIONARE), deplasați maneta de accelerație (dacă este prevăzută) în poziția FAST (RAPID) și demarați până când motorul pornește.

Atunci când utilizați echipamentul

- Nu înclinați motorul sau echipamentul la un unghi care poate cauza vărsarea combustibilului.
- Nu înecați carburatorul pentru a opri motorul.
- Nu porniți și nu lăsați motorul să funcționeze fără ansamblu de filtrare (dacă este prevăzut) sau filtru (dacă este prevăzut).

La schimbarea uleiului

- Dacă scurgeți uleiul prin tubul superior de alimentare cu ulei, rezervorul de combustibil trebuie să fie gol, în caz contrar combustibilul se poate scurge, provocând un incendiu sau o explozie.

Dacă înclinați utilajul pentru întreținere

- Dacă efectuați operațiuni de întreținere care necesită înclinarea utilajului, rezervorul de combustibil trebuie să fie gol. În caz contrar, combustibilul se poate scurge, provocând un incendiu sau o explozie.

Atunci când transportați echipamentul

- Transportați echipamentul cu rezervorul GOL sau cu robinetul de oprire a combustibilului în poziția OFF (OPRIT).

Atunci când depozitați combustibil sau echipamentul cu combustibil în rezervor

- Depozitați-le la distanță de cuptoare, sobe, boilere sau alte echipamente care au flacără de veghe sau altă sursă de aprindere, deoarece acestea ar putea aprinde vaporii de combustibil.



AVERTISMENT



Pornirea motorului creează scântei.
Scântele pot aprinde gazele inflamabile din apropiere.
Se pot produce explozii și incendii.

- Dacă există o scurgere de gaz natural sau de petrol lichiefiat în zonă, nu porniți motorul.
- Nu utilizați fluide de aprindere sub presiune deoarece vaporii sunt inflamabili.



AVERTISMENT



Retragerea rapidă a corzii de pornire (reculul) va trage mâna și brațul către motor mai repede decât puteți să îi dați drumul.
Aceasta poate cauza ruperea oaselor, fracturi, zgârieturi sau luxații.

- La pornirea motorului, trageți lent coarda până simțiți rezistență, și apoi trageți rapid pentru a evita reculul.
- Îndepărtați toate echipamentele externe/sarcinile motorului înainte de a-l porni.
- Componentele echipamentului cuplate direct, cum ar fi lamele, paletetele, roțile de transmisie, roțile de lanț etc., trebuie să fie montate corect.



AVERTISMENT



PERICOL DE GAZE TOXICE. Gazele de eşapament conțin monoxid de carbon, un gaz otrăvitor care poate vă poate ucide în câteva minute. NU îl puteți vedea, mirosi sau gusta. Chiar dacă nu simțiți miros de gaze de eşapament, puteți fi expus monoxidului de carbon. Dacă începeți să aveți grețuri, amețeli sau să vă simțiți slăbit în timp ce folosiți acest produs, opriți-l și mutați-vă IMEDIAT în aer liber. Consultați un doctor. Este posibil să fiți intoxicat cu monoxid de carbon.

- Folosiți acest produs NUMAI în aer liber, la distanță de ferestre, uși și orificii de ventilație, pentru a reduce pericolul de acumulare a monoxidului de carbon și de intrare a acestuia în spații locuite.
- Montați detectoare de monoxid de carbon cu baterie sau cu alimentare de la priză și baterie de rezervă conform instrucțiunilor producătorului. Detectoarele de fum nu detectează monoxidul de carbon.
- NU folosiți acest produs în case, în garaje, în pivnițe, în subsoluri, în șoproane sau în alte spații parțial închise, chiar dacă folosiți ventilatoare sau deschideți ușile și ferestrele pentru ventilație. Monoxidul de carbon se poate acumula rapid în aceste spații și poate să persiste ore în șir, chiar și după oprirea produsului.
- Amplasați ÎNTOTDEAUNA acest produs pe direcția vântului și orientați toba de eşapament în sens opus față de spațiile locuite.



AVERTISMENT



Piesele în mișcare pot intra în contact sau agăța mâinile, picioarele, părul, hainele sau accesoriile.

Astfel se pot produce amputări traumatice sau tăieturi.

- Utilizați echipamentul cu apăraoarele montate.
- Feriți mâinile și picioarele de piesele rotative.
- Legați părul lung și nu purtați bijuterii.
- Nu purtați haine largi, șnururi care atârnă sau articole care ar putea fi agățate.



AVERTISMENT



Funcționarea motorului produce căldură. Piese ale motorului, în special toba de eşapament, devin foarte fierbinți.

Se pot produce arsuri termice grave la contactul cu acestea.



Deșeurile combustibile, cum ar fi frunzele, iarba, ramurile etc. pot lua foc.

- Lăsați echipamentul, cilindrul și arpile acestuia să se răcească înainte de a le atinge.
- Îndepărtați materialele inflamabile acumulate în zona tobei de eşapament și a cilindrului.
- Conform California Public Resource Code, secțiunea 4442, este interzisă utilizarea motorului în zone cu păduri, tufișuri sau iarbă fără a fi dotate cu un paravan de scântei conform secțiunii 4442, aflat în bună stare de funcționare. Este posibil ca alte state să aibă legi similare. Luați legătura cu producătorul, vânzătorul sau dealerul echipamentului pentru a obține un paravant de scântei adaptat sistemului de evacuare montat pe acest motor.



AVERTISMENT



Producerea accidentală de scântei se poate solda cu incendii sau cu electrocutare.



Pornirea accidentală se poate solda cu agățare, amputare traumatică sau tăieturi.

Pericol de incendiu



Înainte de a efectua reglaje sau reparații:

- Deconectați fișa bujiei și țineți-o la distanță de bujie.
- Deconectați borna negativă a bateriei (numai la motoarele cu sistem de pornire electrică).
- Utilizați doar scule corecte.
- Nu efectuați intervenții asupra clapetelor reglatoare, asupra transmisiilor sau asupra altor piese componente pentru a obține o turație mai mare a motorului.
- Piesele de schimb trebuie să fie identice și montate în aceeași poziție cu piesele originale. Este posibil ca alte piese să nu funcționeze la fel de bine, să deterioreze aparatul sau să provoace vătămări corporale.
- Nu loviți volanta cu ciocanul sau cu obiecte grele. În caz contrar, volanta se poate dezmembra în timpul funcționării.

Atunci când testați scântea la bujii:

- Folosiți un tester de bujie omologat.
- Nu verificați scântea la bujie cu bujia scoasă.

Caracteristici și comenzi

Comparați desenul **1** cu motorul Dvs. pentru a vă familiariza cu amplasarea diverselor caracteristici și comenzi.

- A. Identificarea motorului
Model Tip Cod
- B. Bujie
- C. Amorsor
- D. Rezervor de combustibil și bușon
- E. Filtru de aer
- F. Coardă de pornire
- G. Jojă de ulei
- H. Tobă de eșapament
Apărătoare tobă de eșapament (dacă este prevăzută)
Paravan de scânteii (dacă este prevăzută)
- I. Accelerație (dacă este prevăzută)

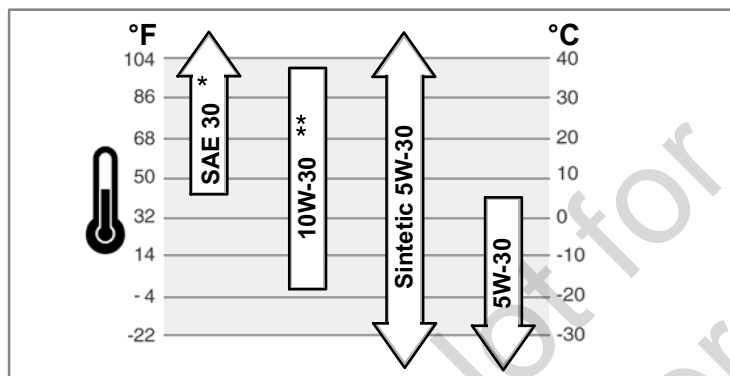
Utilizare

Capacitate de ulei (vezi secțiunea **Specificații**)

Recomandări privind uleiul

Pentru o funcționare optimă, recomandăm utilizarea uleiurilor atestate de Briggs & Stratton. Sunt acceptabile și alte tipuri de ulei detergent de calitate, dacă sunt clasificate pentru service SF, SG, SH, SJ sau superior. Nu folosiți aditivi speciali.

Vâscozitatea corectă a uleiului de motor este determinată de temperatura exterioară. Folosiți tabelul pentru a selecta valoarea optimă de vâscozitate în funcție de intervalul de temperatură exterioară preconizat.



* Dacă folosiți ulei SAE 30 sub 40°F (4°C), aceasta va duce la pornirea cu dificultate a motorului.

** Utilizarea uleiului 10W-30 la temperaturi peste 80°F (27°C) va duce la un consum de ulei peste normal. Verificați mai des nivelul uleiului.

Verificarea/Adăugarea uleiului - Figura 2 3

Înainte de a adăuga sau de a verifica nivelul uleiului

- Așezați motorul pe orizontală.
 - Curățați eventualele deșeurii din zona orificiului de alimentare cu ulei.
1. Scoateți joja (G) și ștergeți-o cu o cârpă curată (Figura 2, Figura 3).
 2. Introduceți joja și strângeți-o.
 3. Scoateți joja și verificați nivelul uleiului. Acesta trebuie să fie în partea superioară a marajului „plin” (J) de pe joja.
 4. Dacă nivelul este scăzut, adăugați ulei, încet, în gura de alimentare cu ulei a motorului (H). **Nu umpleți prea tare.** După ce ați adăugat ulei, așteptați un minut după care verificați, din nou, nivelul uleiului.
 5. Reașezați joja la loc și strângeți-o.

Sistem de protecție împotriva nivelului scăzut al uleiului (dacă există)

Unele motoare sunt echipate cu un senzor pentru nivelul scăzut al uleiului. Dacă nivelul uleiului este scăzut, senzorul va activa o lampă de avertizare sau va opri motorul. Oprți motorul și parcurgeți etapele următoare înainte de a-l reporni.

- Asigurați-vă că motorul este orizontal.
- Verificați nivelul uleiului. Vezi secțiunea **Verificarea/Adăugarea uleiului**.
- Dacă nivelul uleiului este scăzut, alimentați cu o cantitate corespunzătoare de ulei. Porniți motorul și verificați dacă lampa de avertizare (dacă există) nu este aprinsă.
- Dacă nivelul uleiului nu este scăzut, **nu porniți** motorul. Luați legătura cu un distribuitor autorizat Briggs & Stratton pentru a remedia problema cu uleiul.

Recomandări pentru combustibil

Combustibilul trebuie să îndeplinească următoarele cerințe:

- Benzină pură, proaspătă, fără plumb.
- Cifra octanică minim 87/87 AKI (91 RON). Pentru utilizarea la altitudini mari, vezi mai jos.
- Este permisă utilizarea benzinei cu până la 10% etanol (gasolhol).

ATENȚIE: Nu utilizați tipuri de benzină nerecomandate, cum ar fi E15 și E85. Nu introduceți ulei în benzină și nu modificați motorul pentru a funcționa cu combustibili alternativi. Utilizarea combustibililor nerecomandați va deteriora componentele motorului și **garanția va fi anulată.**

Pentru a evita formarea depunerilor în sistemul de combustibil, adăugați un stabilizator de combustibil. Vezi secțiunea **Depozitare**. Nu toate tipurile de combustibil sunt identice. În cazul apariției unor probleme de pornire sau funcționare, schimbați furnizorii de combustibil sau mărcile. Acest motor este certificat pentru funcționarea cu benzină. Sistemul de control al emisiilor pentru motor este EM (Engine Modifications) (Modificările motorului).

Altitudine ridicată

La altitudini de peste 5.000 de picioare (1524 metri), folosiți benzină cu cifra octanică minim 85/85 AKI (89 RON). Pentru a respecta normele de emisii, este necesară reglarea motorului pentru funcționarea la altitudini mari. În caz contrar, motorul va avea performanțe reduse, precum și consum și emisii sporite. Contactați un distribuitor autorizat Briggs & Stratton pentru informații despre reglarea pentru altitudine mare. Este nerecomandată utilizarea setului pentru altitudine ridicată pentru funcționarea motorului la altitudini sub 2.500 de picioare (762 de metri).

Alimentarea cu combustibil - Figura 4



AVERTISMENT



Combustibilul și vaporii săi sunt foarte inflamabili și explozivi. Incendiul sau explozia se pot solda cu arsuri severe sau cu moartea.



Când alimentați cu combustibil

- Oprți motorul și lăsați-l să se răcească cel puțin 2 minute înainte de a scoate bușonul de combustibil.
- Umpleți rezervorul de combustibil în aer liber sau în zone bine ventilate.
- Nu supraalimentați rezervorul de combustibil. Pentru a permite dilatarea combustibilului, umpleți numai până la marginea inferioară a gâtului rezervorului de combustibil.
- Păstrați combustibilul la distanță de scânteii, flăcări deschise, flăcări de veghe, căldură și de alte surse de aprindere.
- Verificați frecvent conductele de combustibil, rezervorul, bușonul și fittingurile pentru a observa eventualele crăpături sau scurgeri. Înlocuiți-le dacă este necesar
- Dacă se varsă combustibil, așteptați până când acesta se evaporă înainte de a porni motorul.

1. Curățați zona bușonului de combustibil de murdărie și reziduuri. Demontați bușonul de combustibil (A, Figura 4).
2. Umpleți rezervorul cu combustibil (B). Pentru a permite dilatarea combustibilului, umpleți numai până la marginea inferioară a gâtului rezervorului (C).
3. Montați la loc bușonul de combustibil.

Pornirea motorului - Figura 5 6



AVERTISMENT



Retragerea rapidă a corzii de pornire (reculul) va trage mâna și brațul către motor mai repede decât puteți să îi dați drumul. Aceasta poate cauza ruperea oaselor, fracturi, zgârieturi sau luxații.

- La pornirea motorului, trageți lent coarda până simțiți rezistență, și apoi trageți rapid pentru a evita reculul.



AVERTISMENT



Combustibilul și vaporii săi sunt foarte inflamabili și explozivi. Incendiul sau explozia se pot solda cu arsuri severe sau cu moartea.



Atunci când porniți motorul

- Asigurați-vă că bujia, eșapamentul, bușonul rezervorului și filtrul de aer (dacă este prevăzută) sunt montate și bine fixate.
- Nu trageți de coardă când bujia este scoasă.
- Dacă motorul se înecă, deplasați șocul (dacă este prevăzută) în poziția OPEN/RUN (DESCHIS/FUNCȚIONARE), deplasați maneta de accelerație (dacă este prevăzută) în poziția FAST (RAPID) și demarați până când motorul pornește.



AVERTISMENT



PERICOL DE GAZE TOXICE. Gazele de eşapament conțin monoxid de carbon, un gaz otrăvitor care poate să ucidă în câteva minute. NU îl puteți vedea, mirosi sau gusta. Chiar dacă nu simțiți miros de gaze de eşapament, puteți fi expus monoxidului de carbon. Dacă începeți să aveți grețuri, amețeli sau să vă simțiți slăbit în timp ce folosiți acest produs, opriți-l și mutați-vă IMEDIAT în aer liber. Consultați un doctor. Este posibil să fiți intoxicat cu monoxid de carbon.

- Folosiți acest produs NUMAI în aer liber, la distanță de ferestre, uși și orificii de ventilare, pentru a reduce pericolul de acumulare a monoxidului de carbon și de intrare a acestuia în spații locuite.
- Montați detectoare de monoxid de carbon cu baterie sau cu alimentare de la priză și baterie de rezervă conform instrucțiunilor producătorului. Detectoarele de fum nu detectează monoxidul de carbon.
- NU folosiți acest produs în case, în garaje, în pivnițe, în subsoluri, în șoproane sau în alte spații parțial închise, chiar dacă folosiți ventilatoare sau deschideți ușile și ferestrele pentru ventilare. Monoxidul de carbon se poate acumula rapid în aceste spații și poate să persiste ore în șir, chiar și după oprirea produsului.
- Amplasați ÎNTOTDEAUNA acest produs pe direcția vântului și orientați toba de eşapament în sens opus față de spațiile locuite.

NOTIFICARE: Acest motor a fost expedit de Briggs & Stratton fără ulei. Înainte de a porni motorul, asigurați-vă că ați adăugat ulei conform cu instrucțiunile din acest manual. Pornirea motorului fără ulei provoacă deteriorarea iremediabilă a acestuia, care nu este acoperită de garanție.

Notă: Unele echipamente sunt dotate cu sisteme de control de la distanță. Consultați manualul echipamentului pentru instrucțiuni despre amplasarea și utilizarea comenzilor de la distanță.

- Verificați nivelul uleiului din motor. Consultați secțiunea **Verificarea/Adăugarea uleiului**.
- Asigurați-vă că ați decuplat comenzile de acționare ale aparatului, dacă există.

- Deplasați maneta de accelerație (A, Figura 5), dacă există, în poziția fast (rapid)



. Utilizați motorul în poziția fast (rapid)



- La prima pornire a unui motor nou, apăsați ferm butonul roșu de amorsare (B) de cinci ori. La pornirile ulterioare, apăsați butonul de amorsare de trei ori (Figura 5).

Notă: Dacă motorul rămâne fără combustibil sau a fost depozitat o perioadă prelungită de timp, este posibil să necesite amorsarea de cinci ori.

Notă: De obicei, pornirea unui motor cald nu necesită amorsarea.

Notă: Dacă apăsați de prea multe ori butonul de amorsare, carburatorul va fi înecat cu combustibil, îngreunând pornirea motorului.

- Dacă produsul este dotat cu o manetă de oprire a motorului (C), mențineți-o apăsată pe mâner (Figura 6).

- Apucați ferm mânerul corzii de pornire a motorului (D). Trageți coarda lent până când întâmpinați rezistență, apoi trageți rapid (Figura 5).

Notă: Dacă motorul nu pornește după trei încercări, repetați etapele 4, 5 și 6. Dacă în continuare motorul nu pornește, accesați **BRIGGSandSTRATTON.COM** sau apăsați **1-800-233-3723** (în SUA).



AVERTISMENT: Retragerea rapidă a corzii motorului (recul) vă va trage mâna și brațul către motor mai repede decât puteți să îi dați drumul. Aceasta poate provoca ruperea oaselor, fracturi, zgârieturi sau luxații. La pornirea motorului, trageți lent coarda până ce simțiți că opune rezistență, apoi trageți rapid pentru a evita reculul.

Oprirea motorului - Figura 6

Eliberați maneta de oprire a motorului (E). Vezi Figura 6.

or

Motor cu comanda accelerației: Deplasați comanda accelerației (A, Figura 5) în poziția stop

Întreținere

NOTIFICARE: Dacă motorul este înclinat în timpul operațiilor de întreținere, rezervorul de combustibil **trebuie să fie gol**, iar latura cu bujia **trebuie să fie orientată în sus**. Dacă rezervorul de combustibil nu este gol și motorul este înclinat în orice altă direcție, motorul va porni cu dificultate din cauza contaminării filtrului de aer și/sau bujiei cu combustibil sau ulei.



AVERTISMENT: Dacă efectuați operațiuni de întreținere care necesită înclinarea utilajului, rezervorul de combustibil trebuie să fie gol. În caz contrar, combustibilul se poate scurge, provocând un incendiu sau o explozie.

Vă recomandăm să apăsați la un distribuitor cu service autorizat Briggs & Stratton pentru toate operațiile de întreținere și reparare a motorului și a pieselor.

NOTIFICARE: Toate componentele utilizate la realizarea acestui motor trebuie să fie prezente pentru ca motorul să funcționeze corect.

Controlul emisiilor

Întreținerea, înlocuirea sau repararea sistemelor și dispozitivelor de control al emisiilor poate fi efectuată de orice unitate sau persoană specializată în repararea motoarelor nerutiere. Totuși, pentru efectuarea unui service al controlului emisiilor "fără taxă" lucrările trebuie efectuate de un agent autorizat de către producător. Vezi Garanția pentru emisii.



AVERTISMENT

Producerea accidentală de scântei se poate solda cu incendii sau cu electrocutare.

Pornirea accidentală se poate solda cu agățare, amputare traumatică sau tăieturi.

Pericol de incendiu



Înainte de a efectua reglaje sau reparații:

- Deconectați fișa bujiei și țineți-o la distanță de bujie.
- Deconectați borna negativă a bateriei (numai la motoarele cu sistem de pornire electrică).
- Utilizați doar scule corecte.
- Nu efectuați intervenții asupra clapetelor reglatoare, asupra transmisiilor sau asupra altor piese componente pentru a obține o turație mai mare a motorului.
- Piese de schimb trebuie să fie identice și montate în aceeași poziție cu piesele originale. Este posibil ca alte piese să nu funcționeze la fel de bine, să deterioreze aparatul sau să provoace vătămări corporale.
- Nu loviți volanta cu ciocanul sau cu obiecte grele. În caz contrar, volanta se poate dezmembra în timpul funcționării.

Atunci când testați scântea la bujii:

- Folosiți un tester de bujie omologat.
- Nu verificați scântea la bujie cu bujia scoasă.

Program de întreținere

Primele 5 ore
<ul style="list-style-type: none">Schimbați uleiul
La fiecare 8 ore sau zilnic
<ul style="list-style-type: none">Verificați nivelul uleiului din motorCurățați zona din jurul tobei de eșapament și al comenzilor.
La fiecare 25 de ore sau anual
<ul style="list-style-type: none">Curățați filtrul de aer *
La fiecare 50 de ore sau anual
<ul style="list-style-type: none">Schimbați uleiul de motorInspecați eșapamentul și paravanul pentru scântei
Anual
<ul style="list-style-type: none">Înlocuiți filtrul de aer.Înlocuiți bujiaCurățați sistemul de răcire cu aer *

* În medii prăfoase sau cu impurități în aer, curățați mai frecvent.

Reglarea carburatorului și turației motorului

Nu reglați niciodată carburatorul sau turația motorului. Carburatorul a fost reglat din fabricație pentru a funcționa eficient în majoritatea condițiilor. Nu umblați la arcul regulator, legături sau alte piese pentru a schimba turația motorului. Dacă sunt necesare reglaje, contactați un centru de service autorizat Briggs & Stratton.

OBSERVAȚIE: Producătorul echipamentului specifică turația maximă a motorului instalat pe echipament. **Nu depășiți** această turație. Dacă aveți nelămuriri cu privire la turația maximă a echipamentului sau la turația motorului reglată din fabricație, contactați un centru de service autorizat Briggs & Stratton pentru asistență. Pentru a asigura funcționarea sigură și corectă a echipamentului, turația motorului trebuie reglată numai de un tehnician de service autorizat.

Înlocuirea bujiei - Figura 7

Verificați deschiderea (A, Figura 7) cu un calibru de sârmă (B). Dacă este necesar, modificați deschiderea. Montați și strângeți bujia la cuplul recomandat. Pentru stabilirea deschiderii bujiei sau cuplului, consultați secțiunea **Specificații**.

Notă: În unele zone, legile locale cer utilizarea unei bujii cu rezistor pentru a suprima semnalele de aprindere. Dacă acest motor a fost echipat la origine cu o bujie cu rezistor, utilizați același tip de bujie pentru înlocuire.

Inspecați eșapamentul și paravanul pentru scântei - Figura 8



AVERTISMENT



Funcționarea motorului produce căldură. Piese ale motorului, în special toba de eșapament, devin foarte fierbinți.



Se pot produce arsuri termice grave la contactul cu acestea.

Deșeurile combustibile, cum ar fi frunzele, iarba, ramurile etc. pot lua foc.

- Lăsați eșapamentul, cilindrul și aripile acestuia să se răcească înainte de a le atinge.
- Îndepărtați materialele inflamabile acumulate în zona tobei de eșapament și a cilindrului.
- Conform California Public Resource Code, secțiunea 4442, este interzisă utilizarea motorului în zone cu păduri, tufișuri sau iarbă fără a fi dotate cu un paravan de scântei conform secțiunii 4442, aflat în bună stare de funcționare. Este posibil ca alte state să aibă legi similare. Luați legătura cu producătorul, vânzătorul sau dealerul echipamentului pentru a obține un paravant de scântei adaptat sistemului de evacuare montat pe acest motor.

Îndepărtați reziduurile acumulate în zona eșapamentului și cilindrului. Verificați dacă toba de eșapament (A) nu prezintă crăpături, semne de coroziune sau alte probleme. Demontați paravanul de scântei (B), dacă există, și verificați dacă nu este deteriorat sau blocat cu funingine. Dacă depistați probleme, montați piesele de schimb înainte de utilizare.



AVERTISMENT: Piesele de schimb trebuie să fie identice și montate în aceeași poziție cu piesele originale. Este posibil ca alte piese să nu funcționeze la fel de bine, să deterioreze aparatul sau să provoace vătămări corporale.

Schimbarea uleiului - Figura 2 3 9 10



AVERTISMENT



Combustibilul și vaporii săi sunt foarte inflamabili și explozivi. Incendiul sau explozia se pot solda cu arsuri severe sau cu moartea.



- Când scurgeți uleiul prin tubul superior de alimentare cu ulei, rezervorul de combustibil trebuie să fie gol. În caz contrar, combustibilul se poate scurge, putând provoca un incendiu sau o explozie.

Uleiul uzat este un deșeu periculos. Depozitați uleiul în mod corespunzător. Nu-l aruncați împreună cu resturile menajere. Interesați-vă la autoritățile locale, centrul de service sau la distribuitor despre instalații sigure de colectare/reciclare.

Surgerea uleiului

Uleiul trebuie scurs prin tubul superior de alimentare cu ulei (E, Figura 10).

- Cu motorul oprit dar încă cald, deconectați fișa bujiei (A) și țineți-o la distanță de bujie (Figura 9).
- Scoateți joja (G, Figura 2).
- Când scurgeți uleiul prin tubul superior de alimentare cu ulei (E), mențineți capătul dinspre bujie al motorului (F) în sus (Figura 10). Scurgeți uleiul într-un recipient adecvat.



AVERTISMENT: Când scurgeți uleiul prin tubul superior de alimentare cu ulei, rezervorul de combustibil trebuie să fie gol. În caz contrar, combustibilul se poate scurge, putând provoca un incendiu sau o explozie. Pentru a goli rezervorul de combustibil, lăsați motorul să funcționeze până când se oprește din lipsă de combustibil.

Adăugarea uleiului

- Așezați motorul pe orizontală.
- Curățați eventualele deșeuri din zona orificiului de alimentare cu ulei.
- Vezi secțiunea **Specificații** pentru detalii cu privire la capacitatea de ulei.

- Scoateți joja (G) și ștergeți-o cu o cârpă curată (Figura 2, Figura 3).
- Turnați lent uleiul prin orificiul de alimentare cu ulei al motorului (H). **Nu supraalimentați.** După adăugarea uleiului, așteptați un minut și verificați nivelul uleiului.
- Montați și strângeți joja.
- Scoateți joja și verificați nivelul uleiului. Acesta trebuie să fie în partea superioară a marcajului „plin” (J) de pe joja.
- Montați și strângeți joja.

Întreținerea filtrului de aer - Figura 11 12



AVERTISMENT



Combustibilul și vaporii săi sunt foarte inflamabili și explozivi.



Incendiul sau explozia se pot solda cu arsuri severe sau cu moartea.

- Nu porniți și nu lăsați motorul să funcționeze fără ansamblu de filtrare (dacă este prevăzut) sau filtru (dacă este prevăzut).

NOTIFICARE: Nu folosiți aer presurizat sau solvenți pentru a curăța filtrul. Aerul presurizat poate deteriora filtrul, iar solvenții îl dizolvă.

Sunt prezentate două tipuri de filtre de aer, **Standard** și **De înaltă capacitate**. Determinați tipul instalat pe motorul dvs. și efectuați întreținerea în mod corespunzător.

Filtru de aer standard - Figura 11

Filtrul de aer standard folosește un element din burete, care poate fi spălat și refolosit.

- Demontați șurubul (A) din partea superioară a ansamblului filtrului de aer (B). Vezi figura 11.
- Pentru a preveni căderea deșeurilor în carburator, îndepărtați cu atenție ansamblul filtrului de aer.
- Îndepărtați filtrul de aer din burete (C) de la baza filtrului de aer.
- Spălați filtrul de aer din burete în soluție de apă cu detergent lichid. Uscați-l prin presarea într-o cârpă curată.
- Îmbibați până la saturare filtrul de aer din burete în ulei de motor. Pentru a elimina excesul de ulei, presați-l într-o cârpă curată.
- Montați filtrul de aer din burete la baza filtrului de aer.
- Montați ansamblul filtrului de aer pe carburator și fixați-l folosind șurubul.

Filtru de aer de înaltă capacitate - Figura 12

Filtrul de aer de înaltă capacitate folosește un filtru plisat.

1. Demontați șurubul (A) din partea superioară a ansamblului filtrului de aer (B). Vezi figura 12.
2. Pentru a preveni căderea deșeurilor în carburator, îndepărtați cu atenție ansamblul filtrului de aer.
3. Îndepărtați filtrul de aer plisat (C) de la baza filtrului de aer.
4. Pentru a degaja reziduurile, loviți ușor filtrul plisat de o suprafață tare. Dacă filtrul plisat este excesiv de murdar, înlocuiți-l cu un filtru nou.
5. Montați filtrul plisat.
6. Montați ansamblul filtrului de aer pe carburator și fixați-l folosind șurubul.

Curățați sistemul de răcire cu aer - Figura 13



AVERTISMENT



Funcționarea motorului produce căldură. Piese ale motorului, în special toba de eșapament, devin foarte fierbinți.

Se pot produce arsuri termice grave la contactul cu acestea.



Deșeurile combustibile, cum ar fi frunzele, iarba, ramurile etc. pot lua foc.

- Lăsați eșapamentul, cilindrul și aripile acestuia să se răcească înainte de a le atinge.
- Îndepărtați materialele inflamabile acumulate în zona tobei de eșapament și a cilindrului.

NOTIFICARE: Nu folosiți apă pentru a curăța motorul, deoarece aceasta poate să contamineze sistemul de alimentare cu combustibil. Folosiți o perie sau o cârpă uscată pentru curățarea motorului.

Acest motor este răcit cu aer. Murdăria sau reziduurile pot restricționa fluxul de aer și provoca supraîncălzirea motorului, având ca rezultat scăderea performanțelor și reducerea duratei de funcționare a motorului.

Folosiți o perie sau o cârpă uscată pentru a îndepărta reziduurile de pe apărătoarea pentru degete (A). Mențineți conexiunile, arcurile și comenzile (B) curate. Mențineți zona din jurul și din spatele tobei de eșapament (C) liberă de reziduuri inflamabile (Figura 13).

Depozitare



AVERTISMENT



Combustibilul și vaporii săi sunt foarte inflamabili și explozivi. Incendiul sau explozia se pot solda cu arsuri severe sau cu moartea.



Atunci când depozitați combustibil sau echipamentul cu combustibil în rezervor

- Depozitați-le la distanță de cuptoare, sobe, boilere sau alte echipamente care au flacără de veghe sau altă sursă de aprindere, deoarece acestea ar putea aprinde vaporii de combustibil.

Sistemul de alimentare cu combustibil

Combustibilul se poate învechi în cazul în care este depozitat mai mult de 30 de zile. Învechirea combustibilului provoacă formarea de depozite de acizi și reziduuri în sistemul de alimentare cu combustibil sau în componentele esențiale ale carburatorului. Pentru a păstra combustibilul proaspăt, utilizați stabilizatorul de combustibil **Briggs & Stratton Advanced Formula Fuel Treatment & Stabilizer**, disponibil în toate punctele de comercializare a pieselor de schimb originale.

În cazul motoarelor dotate cu un bușon de rezervor FRESH START®, folosiți **Briggs & Stratton FRESH START®**, disponibil într-un cartuș de concentrat cu picurător.

Dacă ați adăugat aditiv de stabilizare conform instrucțiunilor, nu este necesară scoaterea benzinei din motor. Lăsați motorul să funcționeze timp de 2 minute înainte de depozitare pentru ca aditivul de stabilizare să circule în sistemul de alimentare cu combustibil.

Dacă benzina din motor nu a fost tratată cu un stabilizator de combustibil, trebuie scursă într-un recipient adecvat. Lăsați motorul să funcționeze până ce se oprește din cauza lipsei de combustibil. Pentru menținerea prospețimii, se recomandă utilizarea unui stabilizator de combustibil în recipientul de stocare.

Ulei de motor

Schimbați uleiul cât timp motorul este cald.

NOTIFICARE: Depozitați motorul în poziție orizontală (poziția normală de funcționare). Dacă motorul este depozitat în poziție înclinată, rezervorul de combustibil **trebuie să fie gol**, iar latura cu bujia **trebuie să fie orientată în sus**. Dacă rezervorul de combustibil nu este gol și motorul este înclinat în orice altă direcție, motorul va porni cu dificultate din cauza contaminării filtrului de aer și/sau bujiei cu combustibil sau ulei.

Căutarea defectărilor

Aveți nevoie de asistență? Accesați **BRIGGSandSTRATTON.COM** sau sunați la **1-800-233-3723** (în SUA).

Specificații

Specificațiile motorului

Model	90000
Capacitate cilindrică	148 cc
Alezaj	65,08 mm
Cursă	44,45 mm
Capacitate ulei	0,54 - 0,59 L

Specificațiile motorului

Model	100000
Capacitate cilindrică	158 cc
Alezaj	65,08 mm
Cursă	47,65 mm
Capacitate ulei	0,54 - 0,59 L

Specificații de reglare *

Model	90000, 100000
Distanță electrozi bujie	0,76 mm
Cuplu de strângere bujie	20 Nm
Distanță electrozi rotor	0,15 - 0,25 mm
Joc supapă de admisie	0,13 - 0,18 mm
Joc supapă de evacuare	0,18 - 0,23 mm

* Puterea motorului va scădea cu 3,5% la fiecare 1.000 de picioare (300 de metri) deasupra nivelului mării și cu 1% la fiecare 10° F (5,6° C) peste 77° F (25° C). Motorul va funcționa corect la un unghi de până la 15°. Consultați manualul de utilizare al echipamentului pentru limitările de siguranță privind utilizarea în pantă.

Componente ce necesită service frecvent ✓

Componentă service	Piesa numărul
Filtru de aer standard	698369
Filtru de aer de înaltă capacitate	797819
Ulei - SAE 30	100005
Aditiv pentru combustibil	5041, 5058
Bujie cu rezistor	796112
Bujie de platină cu durată lungă de viață	5062
Cheie pentru bujii	89838, 5023
Tester de bujii	19368

✓ Vă recomandăm să apelați la un distribuitor cu service autorizat Briggs & Stratton pentru toate operațiile de întreținere și reparare a motorului și a pieselor.

GARANȚIE LIMITATĂ

Briggs & Stratton Corporation garantează că, în perioada de garanție specificată mai jos, va repara sau înlocui, în mod gratuit, orice piesă(e) care prezintă defecte de materiale, de fabricație sau ambele. Cheltuielile de transport pentru piesele trimise pentru a fi reparate sau înlocuite sub această garanție trebuie suportate de către cumpărător. Această garanție este valabilă pentru perioadele de timp și în condițiile menționate mai jos. Pentru reparații în perioada de garanție, căutați cel mai apropiat agent autorizat Briggs & Stratton pe harta noastră de la adresa BRIGGSandSTRATTON.COM. Cumpărătorul trebuie să contacteze dealerul cu service autorizat, apoi să pună la dispoziția dealerului cu service autorizat pentru verificare și testare.

Nu există nici o altă garanție specifică. Garanțiile implicite, cum ar fi garanția de vandabilitate și garanția funcționării produsului în conformitate cu un anumit domeniu de aplicabilitate sunt limitate la un an de la data cumpărării sau la o perioadă de timp impusă de lege. Toate celelalte garanții implicite sunt excluse. În limitele permise de lege, producătorul este exonerat de orice răspundere în ceea ce privește daunele care nu fac obiectul garanțiilor. Este posibil ca această prevedere să nu fie valabilă pentru dvs., deoarece legile privitoare la garanția acordată pentru aceste daune sunt diferite în țări și în state diferite. Această garanție vă conferă anumite drepturi legale, în plus puteți beneficia și de alte drepturi legale, care diferă de la o țară la alta și de la un stat la altul**.

TERMENI DE GARANȚIE STANDARD * ▲

Marcă/Tipul produsului	Uz Personal	Uz Comercial
Vanguard™ ■	3 ani	3 ani
Commercial Turf Series™	2 ani	2 ani
Extended Life Series™ ; I/C®; Intek™ I/C®; Intek™ Pro;™ Professional Series™ cu cămașa cilindrului din fontă Dura-Bore™ ; 850 Series™ cu cămașa cilindrului din fontă Dura-Bore™ ; Snow Series MAX™ cu cămașa cilindrului din fontă Dura-Bore™ Toate celelalte motoare Briggs & Stratton cu cămașa cilindrului din fontă Dura-Bore™	2 ani	1 an
Alte motoare Briggs & Stratton	2 ani	90 zile

* Aceștia sunt termenii noștri standard de garanție, însă este posibil să publicăm ocazional termeni de garanție suplimentari, care nu existau la data publicării. Pentru a obține termenii de garanție actualizați, accesați BRIGGSandSTRATTON.COM sau contactați un reprezentant de service autorizat Briggs & Stratton.

** În Australia – Produsele noastre sunt furnizate cu garanții care nu pot fi excluse conform Drepturilor consumatorului din Australia. Aveți dreptul la înlocuire sau rambursare în cazul unei defecțiuni majore și la compensații pentru orice alte pierderi sau daune previzibile. De asemenea, aveți dreptul la repararea sau înlocuirea produselor dacă acestea nu au o calitate acceptabilă și dacă defecțiunea nu este una majoră. Pentru service în garanție, găsiți cel mai apropiat dealer cu service autorizat folosind harta dealerilor de la BRIGGSandSTRATTON.COM, apelați 1300 274 447 sau trimiteți un e-mail sau o scrisoare la salesenquiries@briggsandstratton.com.au, Briggs & Stratton Australia Pty Ltd, 1 Moorebank Avenue, Moorebank, NSW, Australia, 2170.

▲ Utilizare în cadrul generatoarelor de rezervă din medii rezidențiale: 2 ani garanție numai pentru persoane fizice. Nu se oferă garanție pentru mediul comercial. Această garanție nu se aplică motoarelor din cadrul echipamentelor utilizate ca sursă principală de energie în locul rețelelor utilitare. **Motoarele utilizate în curse competiționale sau pe piste comerciale sau închiriate nu beneficiază de garanție.**

■ Motoare Vanguard montate pe generatoare de rezervă: 2 ani pentru persoane fizice, nu se oferă garanție pentru mediul comercial. Motoare Vanguard montate pe vehicule utilitare: 2 ani garanție pentru persoane fizice, 2 ani pentru utilizare comercială. Motor Vanguard în 3 cilindri răcit cu lichid: vezi politica de garanție pentru motor Briggs & Stratton 3/LC.

Perioada de garanție începe de la data cumpărării de către primul cumpărător cu amănuntul sau de către utilizatorul final comercial, și continuă pentru perioada de timp menționată în tabelul de mai sus. Prin "uz personal" se înțelege folosirea acestui produs în gospodărie de către primul său cumpărător cu amănuntul. Prin "uz comercial" se înțelege orice altă utilizare, inclusiv comercială, activitate aducătoare de venituri sau închirierea. În cadrul acestei polițe de garanție, un motor, odată ce a fost utilizat comercial este considerat ca fiind de uz comercial și pentru viitor.

Nu este necesară înregistrarea garanției pentru a obține garanția pentru produsele Briggs & Stratton. Păstrați chitanța primită la cumpărare. Dacă nu puteți dovedi data cumpărării inițiale atunci când solicitați service în garanție, va fi utilizată data fabricației produsului pentru a determina perioada de garanție.

Despre garanție

Ne face plăcere să vă oferim reparații în perioada de garanție și ne cerem scuze pentru neplăcerile cauzate. Reparațiile din perioada de garanție pot fi efectuate de orice agent de service autorizat. Majoritatea reparațiilor din perioada de garanție sunt tratate ca operații de rutină, însă în unele cazuri solicitarea de service în perioada de garanție nu este îndreptățită.

Uzură normală: Motoarele, ca orice alte sisteme mecanice, necesită întreținere regulată pentru a funcționa corect. Garanția nu acoperă reparațiile dacă durata de funcționare a produsului sau a unei piese a fost depășită prin utilizare normală. Garanția nu se aplică motoarelor deteriorate datorită utilizării necorespunzătoare, neefectuării întreținerii de rutină, transportului, manipulării, depozitării sau montării incorecte. În mod similar, garanția se anulează dacă numărul de serie de pe motor a fost îndepărtat sau dacă produsul a fost modificat.

Întreținere incorectă: Durata de viață a unui motor depinde de condițiile în care este exploatat și de întreținerea sa. Produsele precum motocultivatorele, pompele sau mașinile de tuns gazonul sunt adesea folosite în medii prafoase sau murdare, care pot provoca uzura prematură. Acest tip de uzură provocată de noroi, praf, impurități provocate de curățarea bujiilor sau alte materiale abrazive care au pătruns în interiorul produsului datorită întreținerii incorecte, nu este acoperită de garanție.

Această garanție se aplică defectelor de material sau de funcționare ale motorului exclusiv, și nu implică înlocuirea echipamentului pe care a fost montat motorul. Garanția nu se aplică nici reparațiilor impuse de următoarele:

- 1 Probleme cauzate de folosirea pieselor care nu sunt piese originale Briggs & Stratton.
- 2 Dispozitive montate pentru a preveni pornirea accidentală a echipamentului și care au cauzat funcționarea necorespunzătoare a motorului sau au scurtat durata sa de viață. (Adresați-vă producătorului echipamentului.)
- 3 Scurgeri la carburator, conducte de combustibil înfundate, supape blocate sau orice alte probleme cauzate de folosirea unui combustibil necorespunzător.

- 4 Piese care sunt zgâriate sau stricate din cauză că un motor a funcționat cu ulei insuficient sau contaminat, sau cu un ulei de vâscozitate necorespunzătoare (verificați zilnic nivelul uleiului și completați dacă este necesar; schimbați uleiul la intervalele recomandate). Este posibil ca GARDA (SENZORUL) DE ULEI să nu oprească motorul din funcționare. Se pot produce defecțiuni ale motorului dacă nivelul uleiului nu este menținut corespunzător.
- 5 Reparații asupra unor componente care nu sunt fabricate de Briggs & Stratton, de ex. cuplaje, transmisii, dispozitive de telecomandă, etc.
- 6 Deteriorarea sau uzura unor piese cauzată de pătrunderea prafului în motor datorită întreținerii sau montării necorespunzătoare a filtrului de aer, sau folosirii unui filtru de aer care nu e original. Curățați și/sau înlocuiți filtrul la intervalele recomandate în Manualul de utilizare.
- 7 Piese deteriorate datorită supraturării sau supraîncălzirii motorului datorită ierbiilor, resturilor sau prafului care au colmatat aripioarele de răcire sau au obturat zona volantei, sau datorită folosirii motorului într-o încăperie insuficient ventilată. Curățați motorul la intervalele recomandate în Manualul de utilizare.
- 8 Motorul sau piese stricate ca urmare vibrațiilor datorate unei instalări necorespunzătoare, echilibrării sau fixării incorecte a cuțitelor sau a rotorului, montarea necorespunzătoare a motorului pe echipament, supraturării motorului.
- 9 Îndoirea sau ruperea arborelui cotit, cauzată de lovirea unui obiect contondent cu lamelele cuțitelor, în cazul unei mașini de tuns iarba cu cuțite rotative, sau de supratensionarea curelei trapezoidale.
- 10 Tuning sau reglaje de rutină ale motorului.
- 11 Avarierea motorului sau a uneia din părțile componente ale motorului, de exemplu, camera de combustie, supapele, scaunele de supape, ghidajele de supape, bobina, cauzate de folosirea unor combustibili alternativi cum ar fi: petrol lichefiat, gaze naturale, benzină cu conținut de etanol mai mare de 10% etc.

Reparațiile în perioada de garanție sunt asigurate exclusiv de către reprezentanții de service autorizați. Identificați cel mai apropiat reprezentant de service autorizat folosind harta reprezentanților de service de la BRIGGSandSTRATTON.COM sau apelând 1-800-233-3723 (în SUA).

Общие сведения

В настоящем руководстве содержится информация по безопасности, которая предупредит Вас об опасностях и рисках, связанных с эксплуатацией двигателя, а также о том, как их избежать. В руководстве также приведены инструкции по надлежащей эксплуатации и обслуживанию двигателя. Поскольку компания Briggs & Stratton может не знать, какое оборудование будет приводить в движение данный двигатель, важно, чтобы Вы прочли и поняли эти инструкции, а также инструкции для оборудования, имеющего привод от данного двигателя. **Сохраните настоящее руководство для обращения к нему в будущем.**

Для получения запасных частей или технической поддержки в будущем запишите ниже модель, тип и код Вашего двигателя вместе с датой покупки. Эти данные указаны на Вашем двигателе (см. страницу раздела **Отдельные узлы и органы управления**).

Дата покупки: _____

ММ/ДД/ГГГГ

Модель двигателя: _____

Модель:

Тип:

Код:

Номинальная мощность: Значения полной номинальной мощности отдельных моделей с бензиновыми двигателями указываются на табличках в соответствии со стандартом SAE (Ассоциация инженеров автомобилестроения) J1940 (Процедура оценки мощности и крутящего момента малолитражного двигателя), а номинальные характеристики были получены и откорректированы в соответствии со стандартом SAE J1995. Значения крутящего момента получаются при 2600 об/мин для двигателей с обозначением "rpm" на наклейке и 3060 об/мин для всех других двигателей; значения мощности в л.с. получаются при 3600 об/мин. Характеристики полной мощности можно просмотреть на Web-сайте: www.BRIGGSandSTRATTON.COM. Значения эффективной мощности определяются при установленных выхлопном тракте и воздушном фильтре, в то время как значения полной мощности определяются без указанных приспособлений. Реальная полная мощность двигателя больше эффективной мощности и зависит, кроме прочего, от окружающих условий эксплуатации и конкретной модификации двигателя. Учитывая широкий спектр устройств, на которые устанавливаются двигатели, бензиновые двигатели могут не развивать номинальной полной мощности при использовании на конкретных видах силового оборудования. Данное обстоятельство обусловлено рядом факторов, включая, помимо прочего, различные компоненты двигателя (воздушный фильтр, система выхлопа, наддува, охлаждения, карбюратор, топливный насос и т.п.), ограничения по использованию на конечном устройстве, окружающие условия эксплуатации (температура, влажность, высота над уровнем моря) и различия в модификациях двигателя. По причине производственных ограничений и нехватки мощностей, компания Briggs & Stratton может заменить двигатель с более высокой номинальной мощностью на двигатель данной серии.

Безопасность оператора

СИМВОЛЫ ПО ТЕХНИКЕ БЕЗОПАСНОСТИ И ОПЕРАЦИЯМ УПРАВЛЕНИЯ



Предупредительный знак используется для обозначения информации об опасных ситуациях, которые могут привести к травме. С этим знаком используется сигнальное слово (ОПАСНО, ПРЕДУПРЕЖДЕНИЕ или ОСТОРОЖНО), указывающее на вероятность и потенциальную тяжесть травмы. В дополнение, символ опасности может использоваться для указания вида опасности.

ОПАСНО указывает на опасную ситуацию, которая, если ее не избежать, **приведет к смертельному исходу или серьезной травме.**

ПРЕДУПРЕЖДЕНИЕ указывает на опасную ситуацию, которая, если ее не избежать, **может привести к смертельному исходу или серьезной травме.**

ОСТОРОЖНО указывает на опасную ситуацию, которая, если ее не избежать, **может привести к травме средней тяжести или легкой травме.**

ВНИМАНИЕ указывает на ситуацию, которая **может привести к повреждению изделия.**

ПРЕДУПРЕЖДЕНИЕ
Некоторые компоненты данного устройства и сопутствующие принадлежности могут содержать вещества, признанные Штатом Калифорния как вещества, которые могут вызвать рак и привести к нарушению репродуктивной функции. Мойте руки после обращения с такими компонентами.

ПРЕДУПРЕЖДЕНИЕ
Выхлопные газы двигателя содержат химические продукты, которые, по данным штата Калифорния, вызывают рак, дефекты у новорожденных или иные нарушения репродуктивной функции.

ПРЕДУПРЕЖДЕНИЕ
Двигатели Briggs & Stratton не предназначены и не должны использоваться для привода: развлекательных и спортивных катков, детских, развлекательных или вездеходных транспортных средств, мотоциклов, транспортных средств на воздушной подушке, летательных аппаратов или транспортных средств для соревнований, без получения разрешения компании Briggs & Stratton. Дополнительную информацию о продукции для гонок см. на интернет-сайте www.briggsracing.com. При необходимости использования двигателя во внедорожниках или автомобилях типа багги, пожалуйста, обратитесь в Центр информации по применению двигателей компании Briggs & Stratton по тел. 1-866-927-3349. Некорректное использование двигателя может стать причиной серьезных травм или летального исхода.

ВНИМАНИЕ: Данный двигатель поставляется компанией Briggs & Stratton без масла. Перед запуском двигателя, обязательно залейте масло согласно инструкциям настоящего руководства. Если Вы запустите двигатель без масла, то двигатель будет невосстановимо поврежден, и этот случай не будет покрываться гарантией.



ПРЕДУПРЕЖДЕНИЕ



Топливо и его пары чрезвычайно огнеопасны и взрывоопасны. Воспламенение или взрыв могут привести к сильным ожогам или смертельному исходу.

При добавлении топлива

- Прежде чем открыть крышку топливного бака, выключите двигатель и дайте ему остыть в течение, по меньшей мере, 2 минут.
- Заполняйте топливный бачок, либо на открытом воздухе, либо в хорошо проветриваемой зоне.
- Не допускайте переполнения топливного бака. Для обеспечения расширения бензина не заполняйте выше нижней части горловины бака.
- Храните топливо вдали от искр, открытого пламени, горелок, нагревательных приборов и прочих источников воспламенения.
- Регулярно проверяйте топливопровод, бак, крышку и фитинги на наличие трещин и утечек. При необходимости, выполните замену.
- В случае пролива топлива, дождитесь его полного испарения, прежде чем запустить двигатель.

При запуске двигателя

- Убедитесь, что свеча зажигания, глушитель, крышка топливного бака и воздушный фильтр (если установлен) находятся на своих местах и надежно закреплены.
- Не проверяйте искру с вынутой свечей зажигания.
- В случае перелива топлива в карбюраторе двигателя, установите воздушную заслонку (если таковая имеется) в положение OPEN/RUN (Открыта/Работа), переместите дроссельную заслонку (если таковая имеется) в положение FAST (Быстро) и заводите двигатель, пока он не запустится.

При эксплуатации оборудования

- Не наклоняйте двигатель или оборудование на угол, при котором может пролиться топливо.
- Не перемещайте рычаг воздушной заслонки в закрытое положение для останова двигателя.
- Никогда не запускайте и не эксплуатируйте двигатель без установленного узла воздухоочистителя (если установлен) или воздушного фильтра (если установлен).

При замене масла

- Если вы сливаете масло через верхний маслосливной патрубок, топливный бак должен быть опорожнен или топливо начнет вытекать, что приведет к пожару или взрыву.

Когда для выполнения техобслуживания агрегат наклоняется

- Если для выполнения техобслуживания потребуются наклон агрегата, то топливный бак должен быть опорожнен, в противном случае топливо может вытекать, что приведет к пожару или взрыву.

При транспортировке оборудования

- Транспортируйте двигателя с ПУСТЫМ топливным баком или с ЗАКРЫТЫМ краном подачи топлива.

При хранении топлива или оборудования с топливом в баке

- Храните оборудование на расстоянии от котлов, печей, водонагревателей и прочих приборов, в которых используются горелки или иные источники воспламенения, поскольку они могут воспламенить пары топлива.



ПРЕДУПРЕЖДЕНИЕ



При запуске двигателя происходит образование искры. Образование искры может вызвать воспламенение горючих газов.

Это может привести к взрыву и пожару.

- Не запускайте двигатель в том месте, где происходит утечка природного или сжиженного газа.
- Не используйте пусковые жидкости в аэрозольной упаковке, так как их пары огнеопасны.



ПРЕДУПРЕЖДЕНИЕ



ОПАСНОСТЬ ОТРАВЛЕНИЯ ЯДОВИТЫМ ГАЗОМ. Выхлоп двигателя содержит окись углерода, ядовитый газ, который может Вас убить в течение нескольких минут. Вы НЕ МОЖЕТЕ его увидеть, почувствовать его запах или вкус. Даже если Вы не ощущаете запах выхлопных газов, Вы можете всё равно подвергаться воздействию газообразной окиси углерода. Если Вы начнете испытывать тошноту, почувствуете головокружение или слабость во время использования этого изделия, то выключите его и НЕМЕДЛЕННО выйдите на свежий воздух. Обращайтесь к врачу. Вы можете получить отравление окисью углерода.

- Эксплуатируйте это изделие ТОЛЬКО на открытом воздухе в удалении от окон, дверей и вентиляционных отверстий, чтобы снизить риск накопления газообразной окиси углерода и его возможного проникновения в жилые помещения.
- Установите работающий от резервной аккумуляторной батареи сигнализатор присутствия окиси углерода в соответствии с инструкциями производителя. Сигнализаторы дыма не могут обнаружить газообразную окись углерода.
- ЗАПРЕЩАЕТСЯ эксплуатировать это изделие в зданиях, гаражах, подвалах, подполье, помещениях или иных частично закрытых пространствах, даже при использовании вентиляторов или при открытых дверях и окнах для проветривания. Окись углерода может быстро накапливаться в таких пространствах, и может сохраняться в течение нескольких часов, даже после выключения этого изделия.
- ВСЕГДА размещайте это изделие в направлении по ветру, и направляйте выхлоп двигателя в сторону от жилых зон.



ПРЕДУПРЕЖДЕНИЕ



Быстрое втягивание шнура стартера (отдача) может притянуть руку к двигателю быстрее, чем Вы успеете отпустить ручку шнура. Это может привести к переломам, ушибам или растяжениям.

- При запуске двигателя, потяните сначала за ручку шнурового стартера медленно, а затем, когда почувствуете сопротивление, потяните быстро, чтобы избежать отдачи.
- Перед запуском двигателя, снимите все внешние нагрузки на оборудование/двигатель.
- Непосредственно подсоединенные элементы оборудования, например, лезвия, крыльчатки, шкивы, звездочки и т.п., но не ограничиваясь ими, должны быть надежно закреплены.



ПРЕДУПРЕЖДЕНИЕ



Вращающиеся детали могут войти в контакт с руками, ногами, волосами, одеждой и ее аксессуарами или захватить их.

Это может привести к травматической ампутации или тяжелым рваным ранам.

- Не эксплуатируйте оборудование без установленных защитных приспособлений.
- Не приближайте руки и ноги к вращающимся деталям.
- Подвязывайте длинные волосы и снимайте ювелирные изделия.
- Не носите свободную одежду, болтающиеся шнурки или предметы, которые могут быть захвачены движущимися деталями.



ПРЕДУПРЕЖДЕНИЕ



Во время работы двигателя выделяют тепло. Детали двигателя, в особенности глушитель, становятся очень горячими.

Прикосновение к ним может привести к сильным ожогам.



Воспламеняемый мусор, например листья, трава, хворост и т.п., могут загореться.

- Дайте глушителю, цилиндру и ребрам цилиндра остыть, прежде чем дотрагиваться до них.
- Очистите зону вокруг глушителя и цилиндра от скопившегося воспламеняемого мусора.
- Использование или эксплуатация двигателя на любой территории, покрытой лесом, кустарником или травой, без установленного искрогасителя на системе выхлопных газов, является нарушением закона Калифорнии об общественных ресурсах, статья 4442. Согласно Статьи 4442 искрогаситель должен находиться в рабочем состоянии. Другие штаты или федеральные юрисдикции могут иметь сходные законы. Обратитесь к производителю оригинального оборудования, продавцу или дилеру для приобретения искрогасителя, предназначенного для выхлопной системы, установленной на этом двигателе.



ПРЕДУПРЕЖДЕНИЕ



Случайное образование искры может привести к пожару или поражению электрическим током.



Случайный запуск может привести к захватыванию, травматической ампутации различных частей тела или к образованию рваных ран.



Риск возникновения пожара

Перед выполнением регулировок или ремонта:

- Отсоедините провод свечи зажигания и удалите его от свечи.
- Отсоедините отрицательный вывод аккумулятора (только для двигателей с электростартером).
- Используйте только подходящие инструменты.
- Не меняйте настройку пружины, тяг или иных деталей регулятора для увеличения частоты вращения вала двигателя.
- Запасные части должны иметь оригинальную конструкцию и устанавливаться на то же самое место, что и первоначальные детали. Использование неоригинальных деталей может стать причиной травмирования людей, сбоев в работе и повреждения агрегата.
- Не ударяйте по маховику молотком или твердым предметом, т.к. маховик может позже разорваться во время эксплуатации двигателя.

При проверке системы зажигания:

- Используйте разрешенный тестер системы зажигания.
- Не проверяйте искру с вынутой свечой зажигания.

Узлы двигателя и органы управления

Сравните рисунок 1 со своим двигателем, чтобы ознакомиться с расположением различных узлов двигателя и органов управления.

- A. Идентификационное обозначение двигателя
Модель Тип Код
- B. Свеча зажигания
- C. Праймер
- D. Топливный бачок и крышка
- E. Воздушный фильтр
- F. Ручка шнурового стартера
- G. Щуп уровня масла
- H. Глушитель
Ограждение глушителя (если установлено)
Искрогаситель (если установлен)
- I. Управление дросселем (если установлено)

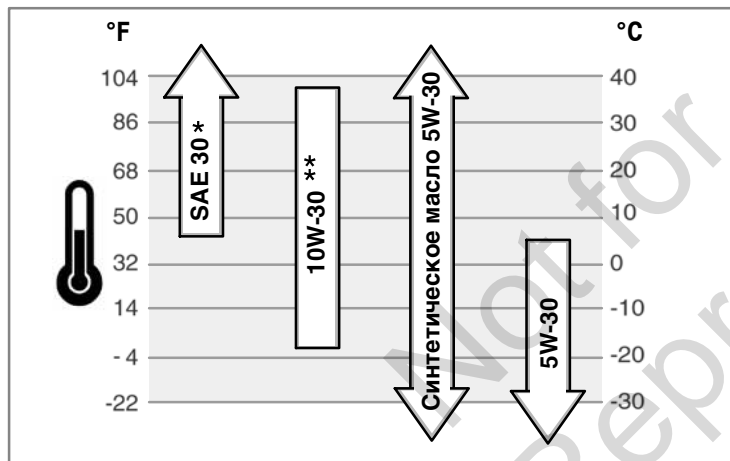
Эксплуатация

Количество масла (смотрите раздел **Технические данные**)

Рекомендации по использованию масла

Мы рекомендуем использовать разрешенные компанией Briggs & Stratton масла для достижения наилучших эксплуатационных характеристик. Другие высококачественные детергентные масла допускаются в том случае, если они классифицированы как "For Service SF, SG, SH, SJ" или выше. Запрещается использование специальных добавок.

Температура наружного воздуха определяет надлежащую вязкость моторного масла. Воспользуйтесь таблицей для выбора соответствующей вязкости для ожидаемого интервала температуры наружного воздуха.



- * Использование масла SAE 30 при температурах ниже 40°F (4°C) приведет к затрудненному запуску двигателя.
- ** Использование масла 10W-30 при температурах выше 80°F (27°C) приведет к повышенному потреблению масла. Чаще проверяйте уровень масла.

Как проверить уровень масла/долить масло - Рис. 2 3

Перед добавлением или проверкой уровня масла

- Установите двигатель в горизонтальное положение.
- Очистите зону маслозаливного отверстия от любого мусора.
- 1. Вытащите щуп для измерения уровня масла (G) и оботрите его чистой тряпкой (Рис. 2, Рис. 3).
- 2. Вставьте и затяните щуп для измерения уровня масла.
- 3. Извлеките щуп и проверьте уровень масла. Он должен соответствовать верхней части индикатора заполнения (J) на щупе.
- 4. Если уровень ниже, медленно заливайте масло через маслоналивную горловину (H). **Не переполняйте.** После доливки масла подождите одну минуту и затем снова проверьте уровень масла.
- 5. Вставьте обратно и затяните щуп для измерения уровня масла.

Система защиты от низкого уровня масла (если имеется)

Некоторые двигатели оборудованы датчиком низкого уровня масла. Если уровень масла является низким, то этот датчик, либо включает лампочку предупреждающей сигнализации, либо останавливает двигатель. Остановите работу двигателя и выполните следующие действия перед повторным запуском двигателя.

- Проверьте, что двигатель установлен горизонтально.

- Проверьте уровень масла. Смотрите раздел **Как проверить уровень масла/долить масло.**
- Если уровень масла является низким, то долейте соответствующее количество масла. Запустите двигатель и убедитесь, что лампочка предупреждающей сигнализации (если имеется) не светится.
- Если уровень масла не является низким, то **не запускайте** двигатель. Обратитесь к официальному дилеру компании Briggs & Stratton для устранения неисправности, вызвавшей срабатывание датчика низкого уровня масла.

Рекомендации по использованию топлива

Топливо должно соответствовать следующим требованиям:

- Чистый, свежий, неэтилированный бензин.
- Минимальное октановое число 87/87 AKI (91 RON = исследовательское октановое число). При работе на большой высоте над уровнем моря, смотрите указания ниже.
- Допускается использование бензина с содержанием этилового спирта до 10% (бензоспирт).

ВНИМАНИЕ: Не допускается использование неразрешенного бензина, например, E15 и E85. Не допускается примешивание масла в бензин, или модификация двигателя для работы на альтернативных видах топлива. Использование неразрешенных видов топлива может повредить компоненты двигателя и **аннулировать гарантию на двигатель.**

Для защиты топливной системы от образования смолы, примешивайте стабилизатор топлива к топливу. Смотрите раздел **Хранение.** Топливо может отличаться по составу и качеству. Если Вы сталкиваетесь с трудностями при запуске или в работе Вашего двигателя, то смените поставщика топлива или поменяйте торговую марку топлива. Данный двигатель сертифицирован для работы на бензине. Двигатель имеет систему контроля токсичности выхлопных газов, которая имеет обозначение EM (модификация двигателя).

Использование на большой высоте над уровнем моря

При высоте над уровнем моря более 5000 футов (1524 метра) допускается применения бензина с октановым числом не менее 85/85 AKI (89 RON). Для соответствия требованиям к эмиссии выхлопных газов требуется настройка двигателя для работы в высокогорных условиях. Эксплуатация двигателя без таких настроек приведет к снижению эксплуатационных характеристик, повышенному расходу топлива и повышенному уровню эмиссии. Для информации по настройке двигателя для работы в условиях высокогорья обращайтесь к авторизованному дилеру Briggs & Stratton.

Эксплуатация двигателя на высоте над уровнем моря ниже 2500 футов (762 метра) с комплектом для работы на большой высоте над уровнем моря не рекомендуется.

Как добавить топливо - Рис. 4



ПРЕДУПРЕЖДЕНИЕ

Топливо и его пары чрезвычайно огнеопасны и взрывоопасны. Воспламенение или взрыв могут привести к сильным ожогам или смертельному исходу.

При добавлении топлива

- Прежде чем открыть крышку топливного бака, выключите двигатель и дайте ему остыть в течение, по меньшей мере, 2 минут.
- Заполняйте топливный бачок, либо на открытом воздухе, либо в хорошо проветриваемой зоне.
- Не допускайте переполнения топливного бака. Для обеспечения расширения бензина не заполняйте выше нижней части горловины топливного бака.
- Храните топливо вдали от искр, открытого пламени, горелок, нагревательных приборов и прочих источников воспламенения.
- Регулярно проверяйте топливопровод, бак, крышку и фитинги на наличие трещин и утечек. При необходимости, выполните замену.
- В случае пролива топлива, дождитесь его полного испарения, прежде чем запустить двигатель.

1. Очистите крышку наливной горловины и зону вокруг нее от любой грязи и остатков мусора. Снимите крышку топливозаправочного патрубка (A, Рис. 4).
2. Заполните топливный бак (B) бензином. Для возможности расширения бензина, не заполняйте выше нижней части горловины топливного бака (C).
3. Установите на место крышку топливного бака.

Как запустить двигатель - Рис. 5 6



ПРЕДУПРЕЖДЕНИЕ

Быстрое втягивание шнура стартера (отдача) может притянуть руку к двигателю быстрее, чем Вы успеете отпустить ручку шнура. Это может привести к переломам, ушибам или растяжениям.

- При запуске двигателя, потяните сначала за ручку шнурового стартера медленно, а затем, когда почувствуете сопротивление, потяните быстро, чтобы избежать отдачи.



ПРЕДУПРЕЖДЕНИЕ



Топливо и его пары чрезвычайно огнеопасны и взрывоопасны. Воспламенение или взрыв могут привести к сильным ожогам или смертельному исходу.

При запуске двигателя

- Убедитесь, что свеча зажигания, глушитель, крышка топливного бака и воздушный фильтр (если установлен) находятся на своих местах и надежно закреплены.
- Не проверяйте искру с вынутой свечей зажигания.
- В случае перелива топлива в карбюраторе двигателя, установите воздушную заслонку (если такая имеется) в положение OPEN/RUN (Открыта/Работа), переместите дроссельную заслонку (если такая имеется) в положение FAST (Быстро) и заводите двигатель, пока он не запустится.



ПРЕДУПРЕЖДЕНИЕ





ОПАСНОСТЬ ОТРАВЛЕНИЯ ЯДОВИТЫМ ГАЗОМ. Выхлоп двигателя содержит окись углерода, ядовитый газ, который может Вас убить в течение нескольких минут. Вы НЕ МОЖЕТЕ его увидеть, почувствовать его запах или вкус. Даже если Вы не ощущаете запах выхлопных газов, Вы можете всё равно подвергаться воздействию газообразной окиси углерода. Если Вы начнете испытывать тошноту, почувствуете головокружение или слабость во время использования этого изделия, то выключите его и НЕМЕДЛЕННО выйдите на свежий воздух. Обращайтесь к врачу. Вы можете получить отравление окисью углерода.

- Эксплуатируйте это изделие ТОЛЬКО на открытом воздухе в удалении от окон, дверей и вентиляционных отверстий, чтобы снизить риск накопления газообразной окиси углерода и его возможного проникновения в жилые помещения.
- Установите работающий от резервной аккумуляторной батареи сигнализатор присутствия окиси углерода в соответствии с инструкциями производителя. Сигнализаторы дыма не могут обнаружить газообразную окись углерода.
- ЗАПРЕЩАЕТСЯ эксплуатировать это изделие в зданиях, гаражах, подвалах, подполье, помещениях или иных частично закрытых пространствах, даже при использовании вентиляторов или при открытых дверях и окнах для проветривания. Окись углерода может быстро накапливаться в таких пространствах, и может сохраняться в течение нескольких часов, даже после выключения этого изделия.
- ВСЕГДА размещайте это изделие в направлении по ветру, и направляйте выхлоп двигателя в сторону от жилых зон.

ВНИМАНИЕ: Данный двигатель поставляется компанией Briggs & Stratton без масла. Перед запуском двигателя, обязательно залейте масло согласно инструкциям настоящего руководства. Если Вы запустите двигатель без масла, то двигатель будет невосстановимо поврежден, и этот случай не будет покрываться гарантией.

Примечание: Оборудование может иметь органы дистанционного управления. Описание расположения и работы органов дистанционного управления смотрите в руководстве по эксплуатации оборудования.

1. Проверьте уровень масла в двигателе. Смотрите раздел **Как проверить уровень масла/долить масло.**
2. Убедитесь, что органы управления приводом оборудования, если таковые имеются, установлены в нейтральное положение.
3. Переместите рычаг управления дросселем (A, Рис. 5), если таковой имеется, в положение FAST (Быстро) . Эксплуатируйте двигатель с рычагом управления дросселем в положении FAST (Быстро) .
4. При первом запуске нового двигателя, следует пять раз крепко нажать на головку праймера (B). Для всех последующих запусков нажимайте на праймер три раза (Рис. 5).

Примечание: Если двигатель выработает все топливо или при его хранении в течение длительного времени, может потребоваться 5-кратное нажатие головки праймера.

Примечание: Обычно нет необходимости выполнять подкачку при перезапуске теплого двигателя.

Примечание: Если Вы будете нажимать на праймер слишком много раз, то излишки топлива зальют двигатель и его будет трудно запустить.

5. Если изделие оборудовано рычагом остановки двигателя (C), удерживайте рычаг прижатым к ручке (Рис. 6).
6. Крепко возьмитесь за ручку тросового стартера (D). Медленно потяните за ручку тросового стартера, а затем, когда почувствуете сопротивление, потяните быстро (Рис. 5).

Примечание: Если двигатель не запускается после повторных попыток, то повторите шаги 4, 5 и 6. Если он по-прежнему не запускается, то посетите, пожалуйста, Web-сайт: **BRIGGSandSTRATTON.COM** или позвоните по телефону: **1-800-233-3723** (в США).




ПРЕДУПРЕЖДЕНИЕ:

Быстрое втягивание троса стартера (обратная отдача) притянет Вашу ладонь и руку к двигателю быстрее, чем Вы сможете среагировать на это. Это может привести к перелому костей, трещинам, ушибам или растяжениям. Во избежание возникновения отдачи, медленно потяните за ручку шнура стартера, а затем, когда почувствуете сопротивление, потяните быстро.

Как остановить работу двигателя - Рис. 6

Отпустите рычаг остановки двигателя (E). См. Рис. 6.

или

Двигатель с управлением дросселем: Переместите рычаг дроссельной заслонки (A, Рис. 5) в положение Stop (Стоп) .

Техническое обслуживание

ВНИМАНИЕ: Если двигатель нужно наклонить при выполнении технического обслуживания, то топливный бачок **должен быть опорожнен** и сторона со свечей зажигания **должна быть обращена вверх**. Если топливный бачок не был опорожнен, и если двигатель был наклонен в каком-либо направлении, то при его запуске могут возникнуть затруднения из-за загрязнения маслом или бензином воздушного фильтра и/или свечи зажигания.



ПРЕДУПРЕЖДЕНИЕ:

Если для выполнения техобслуживания потребуется наклон агрегата, то топливный бак должен быть опорожнен, в противном случае топливо может вытекать, что приведет к пожару или взрыву.

Мы рекомендуем обращаться к любому уполномоченному сервисному дилеру от компании Briggs & Stratton для выполнения всех работ по техническому обслуживанию двигателя и его компонентов.

ВНИМАНИЕ: Все компоненты, используемые для сборки данного двигателя, должны оставаться на своем месте для его надлежащей работы.

Устройство для снижения токсичности выхлопа

Обслуживание, замена или ремонт устройств и систем контроля эмиссии могут выполняться любой мастерской или специалистом по ремонту не автомобильных двигателей. Однако, для получения бесплатной услуги по обслуживанию систем контроля эмиссии работы должны выполняться дилером, авторизованным заводом-изготовителем. См. Гарантию по эмиссии.



ПРЕДУПРЕЖДЕНИЕ



Случайное образование искры может привести к пожару или поражению электрическим током.

Случайный запуск может привести к захватыванию, травматической ампутации различных частей тела или к образованию рваных ран.

Риск возникновения пожара

Перед выполнением регулировок или ремонта:

- Отсоедините провод свечи зажигания и удалите его от свечи.
- Отсоедините отрицательный вывод аккумулятора (только для двигателей с электростартером).
- Используйте только подходящие инструменты.
- Не меняйте настройку пружины, тяг или иных деталей регулятора для увеличения частоты вращения вала двигателя.
- Запасные части должны иметь оригинальную конструкцию и устанавливаться на то же самое место, что и первоначальные детали. Использование неоригинальных деталей может стать причиной травмирования людей, сбоев в работе и повреждения агрегата.
- Не ударяйте по маховику молотком или твердым предметом, т.к. маховик может позже разорваться во время эксплуатации двигателя.

При проверке системы зажигания:

- Используйте разрешенный тестер системы зажигания.
- Не проверяйте искру с вынутой свечей зажигания.

Таблица выполнения технического обслуживания

Через первые 5 часов работы
<ul style="list-style-type: none"> Замените масло
Каждые 8 часов работы или ежедневно
<ul style="list-style-type: none"> Проверка уровня масла в двигателе Очистка зоны вокруг глушителя и органов управления
Каждые 25 часов работы или ежегодно
<ul style="list-style-type: none"> Чистка воздушного фильтра *
Каждые 50 часов работы или ежегодно
<ul style="list-style-type: none"> Замена моторного масла Проверка глушителя и искроуловителя
Ежегодно
<ul style="list-style-type: none"> Замена воздушного фильтра Замена свечи зажигания Очистка системы воздушного охлаждения *

* В условиях сильной запыленности или наличия в воздухе частичек сора, очистку следует выполнять более часто.

Карбюратор и регулировка числа оборотов двигателя

Никогда не выполняйте регулировки на карбюраторе или регуляторе числа оборотов двигателя. Карбюратор был отрегулирован на заводе-изготовителе для эффективной работы при наиболее типичных условиях эксплуатации.

Запрещается вмешательство в работу пружины регулятора оборотов, рычажных механизмов или иных узлов с целью изменения числа оборотов двигателя. Если потребуются какие-либо регулировки, то для обслуживания обращайтесь, пожалуйста, в авторизованный сервисный центр от фирмы Briggs & Stratton.

ПРИМЕЧАНИЕ: Производитель оборудования указывает максимальное число оборотов для двигателя, который установлен на оборудовании. **Не допускается превышения** этого числа оборотов. Если Вы не уверены, каким является максимальное число оборотов для оборудования, или какое число оборотов двигателя установлено на заводе-изготовителе, то за поддержкой обращайтесь, пожалуйста, в авторизованный сервисный центр от фирмы Briggs & Stratton. Для безопасной и правильной эксплуатации оборудования, число оборотов двигателя должно регулироваться только квалифицированным техником по обслуживанию.

Как заменить свечу зажигания - Рис. 7

Заменяйте свечу зажигания ежегодно. Проверьте зазор (А, Рис. 7) с помощью проволочного калибра (В). При необходимости, установите зазор. Установите и затяните свечу зажигания с рекомендованным моментом затяжки. Касательно установки зазора или момента затяжки смотрите раздел **Технические данные**.

Примечание: В некоторых районах местные законы требуют использования резисторной свечи зажигания для подавления помех от сигналов зажигания. Если на данном двигателе была изначально установлена резисторная свеча зажигания, то для замены необходимо использовать свечу зажигания того же типа.

Проверьте глушитель и искроуловитель - Рис. 8



ПРЕДУПРЕЖДЕНИЕ



Во время работы двигателя выделяют тепло. Детали двигателя, в особенности глушитель, становятся очень горячими.



Прикосновение к ним может привести к сильным ожогам.

Воспламеняемый мусор, например листья, трава, хворост и т.п., могут загореться.

- Дайте глушителю, цилиндру и ребрам цилиндра остыть, прежде чем дотрагиваться до них.
- Очистите зону вокруг глушителя и цилиндра от скопившегося воспламеняемого мусора.
- Использование или эксплуатация двигателя на любой территории, покрытой лесом, кустарником или травой, без установленного искрогасителя на системе выхлопных газов, является нарушением закона Калифорнии об общественных ресурсах, статья 4442. Согласно Статии 4442 искрогаситель должен находиться в рабочем состоянии. Другие штаты или федеральные юрисдикции могут иметь сходные законы. Обратитесь к производителю оригинального оборудования, продавцу или дилеру для приобретения искрогасителя, предназначенного для выхлопной системы, установленной на этом двигателе.

Очистите зону вокруг глушителя и цилиндра от скопившегося мусора. Осмотрите глушитель (А) на отсутствие трещин, коррозии или прочих повреждений. Извлеките искроуловитель (В), если таковой имеется, и проверьте на отсутствие повреждения или закупорки сажей. В случае обнаружения поврежденных деталей, до начала работы их следует заменить запасными деталями.



ПРЕДУПРЕЖДЕНИЕ: Запасные части должны иметь оригинальную конструкцию и устанавливаться на то же самое место, что и первоначальные детали. Использование неоригинальных деталей может стать причиной травмирования людей, сбоев в работе и повреждения агрегата.

Как выполнить замену масла - Рис. 2 3 9 10



ПРЕДУПРЕЖДЕНИЕ



Топливо и его пары чрезвычайно огнеопасны и взрывоопасны.



Воспламенение или взрыв могут привести к сильным ожогам или смертельному исходу.

- Если вы сливаете масло через верхний маслосливной патрубком, топливный бак должен быть опорожнен во избежание утечки топлива, приводящей к опасности пожара или взрыва.

ВНИМАНИЕ: Отработанное масло представляет собой опасный продукт и должно быть утилизировано надлежащим способом. Выясните местонахождение пунктов безопасной утилизации/повторной переработки у местных властей, в сервисном центре или у дилера.

Слив масла

Слейте масло при помощи верхнего маслосливного патрубком (Е, рис. 10).

- При выключенном, но еще теплом двигателе отсоедините провод свечи зажигания (А) и отведите его в сторону от свечи зажигания (Рис. 9).
- Извлеките шуп измерения уровня масла (G, рис. 2).
- Если Вы сливаете масло через верхний маслосливной патрубком (Е), то удерживайте сторону двигателя со свечой зажигания (F) обращенной по направлению вверх (рис. 10). Слейте масло в соответствующую емкость.



ПРЕДУПРЕЖДЕНИЕ: Если вы сливаете масло через верхний маслосливной патрубком, топливный бак должен быть опорожнен во избежание утечки топлива, приводящей к опасности пожара или взрыва. Для опорожнения топливного бака дайте двигателю проработать до полного расхода топлива.

Добавить масло

- Установите двигатель в горизонтальное положение.
- Очистите зону маслосливного отверстия от любого мусора.
- Смотрите раздел **Технические характеристики** относительно количества масла.

- Вытащите шуп для измерения уровня масла (G) и оботрите его чистой тряпочкой (Рис. 2, Рис. 3).
- Медленно заливайте масло через маслосливную горловину (H). **Не переполняйте.** После доливки масла подождите одну минуту и затем проверьте уровень масла.
- Вставьте и затяните шуп для измерения уровня масла.
- Извлеките шуп и проверьте уровень масла. Он должен соответствовать верхней части индикатора заполнения (J) на шупе.
- Вставьте и затяните шуп для измерения уровня масла.

Как выполнить техническое обслуживание воздушного фильтра - Рис. 11 12



ПРЕДУПРЕЖДЕНИЕ



Топливо и его пары чрезвычайно огнеопасны и взрывоопасны.



Воспламенение или взрыв могут привести к сильным ожогам или смертельному исходу.

- Никогда не запускайте и не эксплуатируйте двигатель без установленного узла воздухоочистителя (если установлен) или воздушного фильтра (если установлен).

ВНИМАНИЕ: Не используйте сжатый воздух или растворители для чистки фильтра. Сжатый воздух может повредить фильтр, а растворители могут его растворить.

На рисунке показаны два типа системы воздушного фильтра: **Стандартный** и **С повышенной эффективностью**. Определите тип фильтра, установленного на Вашем двигателе, и обслуживайте его следующим образом.

Стандартный воздушный фильтр - Рис. 11

В стандартном воздушном фильтре используется поролоновый фильтрующий элемент, который можно мыть и использовать повторно.

- Отверните винт (А) в верхней части узла воздушного фильтра (В). См. Рис. 11.
- Чтобы исключить попадание мусора внутрь карбюратора, осторожно снимайте узел воздушного фильтра.

3. Выньте поролоновый элемент (С) из основания воздушного фильтра.
4. Промойте поролоновый элемент водой в воде с жидким моющим средством. Отожмите досуха поролоновый элемент в чистой тряпочке.
5. Пропитайте поролоновый элемент чистым моторным маслом. Для удаления лишнего масла отожмите поролоновый элемент в чистой тряпочке.
6. Вставьте поролоновый элемент в основание воздушного фильтра.
7. Установите узел воздушного фильтра на карбюратор и закрепите его винтом.

Воздушный фильтр с повышенной эффективностью - Рис. 12

В воздушном фильтре с повышенной эффективностью используется гофрированный фильтрующий элемент.

1. Отверните винт (А) в верхней части узла воздушного фильтра (В). См. Рис. 12.
2. Чтобы исключить попадание мусора внутрь карбюратора, осторожно снимайте узел воздушного фильтра.
3. Извлеките гофрированный фильтрующий элемент (С) из основания воздушного фильтра.
4. Для удаления сора осторожно постучите гофрированным фильтрующим элементом по твердой поверхности. Если гофрированный фильтрующий элемент очень сильно загрязнен, то замените его на новый.
5. Установите гофрированный фильтрующий элемент.
6. Установите узел воздушного фильтра на карбюратор и закрепите его винтом.

Очистка системы воздушного охлаждения - Рис. 13



ПРЕДУПРЕЖДЕНИЕ



Во время работы двигателя выделяют тепло. Детали двигателя, в особенности глушитель, становятся очень горячими.

Прикосновение к ним может привести к сильным ожогам.



Воспламеняемый мусор, например листья, трава, хворост и т.п., могут загореться.

- Дайте глушителю, цилиндру и ребрам цилиндра остыть, прежде чем дотрагиваться до них.
- Очистите зону вокруг глушителя и цилиндра от скопившегося воспламеняемого мусора.

ВНИМАНИЕ: Не допускается использовать воду для очистки двигателя. Вода может попасть в топливную систему. Используйте щетку или сухую тряпку для очистки двигателя.

Этот двигатель имеет воздушную систему охлаждения. Грязь или сор может воспрепятствовать потоку воздуха и стать причиной перегрева двигателя, что приведет к ухудшению рабочих характеристик и сокращению срока службы двигателя.

Используйте щетку или сухую тряпку для удаления сора в зоне устройства защиты пальцев (А). Очистите сцепление, пружины и органы управления (В). Очищайте зону вокруг и позади глушителя (С) от любого горючего мусора (Рис. 13).

Хранение



ПРЕДУПРЕЖДЕНИЕ



Топливо и его пары чрезвычайно огнеопасны и взрывоопасны.

Воспламенение или взрыв могут привести к сильным ожогам или смертельному исходу.

При хранении топлива или оборудования с топливом в баке

- Храните оборудование на расстоянии от котлов, печей, водонагревателей и прочих приборов, в которых используются горелки или иные источники воспламенения, поскольку они могут воспалить пары топлива.

Топливная система

При хранении более 30 дней топливо может выдохнуться. Старое топливо приводит к образованиям отложений кислоты и смолы в топливной системе или на основных деталях карбюратора. Для поддержания топлива в свежем состоянии, используйте стабилизатор/модификатор топлива усовершенствованного состава от фирмы Briggs & Stratton, имеющийся в местах, где продаются оригинальные детали для обслуживания от фирмы Briggs & Stratton.

Для двигателей, комплектуемых топливным картриджем FRESH START®, используйте средство Briggs & Stratton FRESH START®, имеющихся в виде картридже с капельной подачей концентрата.

Если стабилизатор топлива был добавлен в соответствии с инструкциями, то нет необходимости в сливе топлива. Запустите двигатель на 2 минуты для циркуляции стабилизатора в топливной системе до начала хранения.

Если бензин не был обработан с помощью стабилизатора топлива, то бензин должен быть слит из двигателя в подходящую канистру. Дайте двигателю

поработать, пока он не остановится из-за отсутствия топлива. Рекомендуется использование стабилизатора топлива в канистре для хранения с целью сохранения его свежести.

Моторное масло

Заменяйте моторное масло, когда двигатель еще теплый.

ВНИМАНИЕ: Храните двигатель в горизонтальном положении (нормальное рабочее положение). Если двигатель нужно наклонить при его хранении, то топливный бачок **должен быть опорожнен** и сторона со свечей зажигания **должна быть обращена вверх**. Если топливный бачок не был опорожнен, и если двигатель был наклонен в каком-либо направлении, то при его запуске могут возникнуть затруднения из-за загрязнения маслом или бензином воздушного фильтра и/или свечи зажигания.

Устранение неисправностей

Вам требуется помощь? Посетите Web-сайт: BRIGGSandSTRATTON.COM или позвоните по телефону: 1-800-233-3723 (в США).

Технические данные

Технические данные по двигателю

Модель	90000
Рабочий объем	9,02 куб. дюйма (148 куб. см)
Диаметр цилиндра	2,562 дюйма (65,08 мм)
Ход поршня	1,750 дюйма (44,45 мм)
Количество масла	18 – 20 унций (0,54 – 0,59 л)

Технические данные по двигателю

Модель	100000
Рабочий объем	9,67 куб. дюйма (158 куб. см)
Диаметр цилиндра	2,562 дюйма (65,08 мм)
Ход поршня	1,875 дюйма (47,65 мм)
Количество масла	18 – 20 унций (0,54 – 0,59 л)

Технические данные для регулировки *

Модель	90000, 100000
Зазор свечи зажигания	0,030 дюйма (0,76 мм)
Момент затяжки для свечи зажигания	180 фунт-дюйм (20 Нм)
Воздушный зазор катушки	0,006 - 0,010 дюйма (0,15 - 0,25 мм)
Зазор впускного клапана	0,005 - 0,007 дюйма (0,13 - 0,18 мм)
Зазор выпускного клапана	0,007 - 0,009 дюйма (0,18 - 0,23 мм)

* Мощность двигателя будет уменьшаться на 3,5% для каждых 1000 футов (300 метров) над уровнем моря и на 1% для каждых 10° F (5,6° C) свыше 77° F (25° C). Двигатель будет работать удовлетворительно с углом наклона до 15°. Смотрите руководство оператора оборудования по безопасным допускам для работы на склонах.

Типовые запасные части ✓

Запасная часть	Номер изделия
Стандартный воздушный фильтр	698369
Воздушный фильтр с повышенной эффективностью	797819
Масло — SAE 30	100005
Топливная добавка	5041, 5058
Резисторная свеча зажигания	796112
Платиновая свеча зажигания с повышенным сроком службы	5062
Ключ для свечи зажигания	89838, 5023
Тестер зажигания	19368

✓ Мы рекомендуем обращаться к любому уполномоченному сервисному дилеру от компании Briggs & Stratton для выполнения всех работ по техническому обслуживанию двигателя и его компонентов.

ОГРАНИЧЕННАЯ ГАРАНТИЯ

Компания Briggs & Stratton гарантирует, что во время указанного ниже гарантийного периода, выполнит бесплатный ремонт или замену любой детали, которая окажется неисправной из-за дефекта материала или изготовления, или того и другого. Транспортные расходы, связанные с доставкой изделия для его ремонта или замены по настоящей гарантии, должны быть оплачены покупателем. Настоящая гарантия действительна для сроков и условий, которые указаны ниже. Для проведения гарантийного обслуживания обратитесь к ближайшему к Вам уполномоченному сервисному дилеру, указанному на нашей карте дилеров на Web-сайте: BRIGGSandSTRATTON.com. Покупатель должен обратиться к уполномоченному сервисному дилеру, а затем предоставить ему изделие для осмотра и проверки.

Никаких иных открыто заявленных гарантий не существует. Подразумеваемые гарантии, включая гарантии пригодности для торговли и соответствия конкретным применениям, ограничены сроком в один год с даты покупки, или исключаются в той степени, в которой это разрешено законом. Все иные подразумеваемые гарантии исключаются. Ответственность за случайный или косвенный ущерб исключается в той степени, в которой это разрешено законом. Некоторые штаты или государства не разрешают ограничивать период действия подразумеваемой гарантии, а некоторые штаты или государства не разрешают исключать или ограничивать ответственность за случайный или косвенный ущерб. Таким образом, приведенные выше исключения и ограничения, возможно, не будут распространяться на Вас. Данная гарантия дает Вам определенные юридические права. Вы также можете пользоваться иными правами, которые в разных штатах или государствах могут быть различными**.

СТАНДАРТНЫЕ УСЛОВИЯ ГАРАНТИИ * ▲

Торговая марка/Тип изделия	Личное использование	Коммерческое использование
Vanguard™ ■	3 года	3 года
Коммерческая серия для газона™	2 года	2 года
Серия с удлинённым сроком службы™; I/C®; Intek™ I/C®; Intek™ Pro;™ Профессиональная серия™ с центровым отверстием™ - чугунная муфта; 850 серия™ с центровым отверстием™ - чугунная муфта; Серия Snow MAX™ с центровым отверстием™ - чугунная муфта Все другие двигатели, выпускаемые компанией Briggs & Stratton, имеют центровое отверстие™ - чугунная муфта	2 года	1 год
Все другие двигатели, выпускаемые компанией Briggs & Stratton	2 года	90 дней

* Это наши стандартные условия гарантии, но иногда может существовать дополнительное гарантийное покрытие, которое не было определено на момент данной публикации. Касательно информации по текущим условиям гарантии, пожалуйста, посетите Web-сайт: BRIGGSandSTRATTON.COM или обратитесь к своему уполномоченному сервисному дилеру от компании Briggs & Stratton.

** В Австралии — Наши товары поступают с гарантией, которая не может быть исключена по австралийскому закону в защиту интересов потребителей. Вам предоставляется право на замену и возмещение значительной неисправности и на компенсацию по любым прочим обоснованным ожидаемым убыткам или ущербу. Вам также предоставляется право на ремонт или замену изделия, если изделие не соответствует приемлемому качеству и отказ не связан со значительной неисправностью. Для выполнения гарантийного обслуживания найдите ближайшего уполномоченного сервисного дилера на нашей карте дилеров на Web-сайте: BRIGGSandSTRATTON.COM, или позвоните по телефону: 1300 274 447, или обратитесь по электронной почте: salesenquiries@briggsandstratton.com.au, или отошлите письмо по почтовому адресу: Briggs & Stratton Australia Pty Ltd, 1 Moorebank Avenue, Moorebank, NSW, Australia, 2170.

▲ Изделия с бытовым резервным генератором: только 2-годовая потребительская гарантия, без гарантии на коммерческое использование. Настоящая гарантия не применима к двигателям на оборудовании, используемом в качестве основного источника энергии на месте эксплуатации. **На двигатели, используемые в сравнительных гоночных испытаниях и коммерческих или арендуемых грузовых автомобилях, гарантия не распространяется.**

■ Двигатели «Vanguard», установленные на генераторах резервного электроснабжения: 2-годовая потребительская гарантия, без гарантии на коммерческое использование. Двигатели «Vanguard», установленные на автотранспортных средствах общего назначения: 2-годовая потребительская гарантия и 2-годовая гарантия на коммерческое использование. Двигатель «Vanguard» трехцилиндровый с жидким охлаждением: смотрите гарантийное условие для владельца двигателя 3/LC от компании Briggs & Stratton.

Гарантийный период начинается с даты покупки первым розничным покупателем или первым коммерческим пользователем конечного оборудования и заканчивается по истечении периода времени, указанного в приведенной выше таблице. "Личное использование" означает индивидуальное использование устройства на личном участке розничным покупателем. "Коммерческое использование" означает все иные варианты использования, включая те, которые связаны с коммерцией, извлечением дохода или сдачей в аренду. Как только двигатель побывал в коммерческом использовании, он сразу считается в рамках настоящих гарантийных условий двигателем "коммерческого использования".

Для обеспечения гарантийного обслуживания изделий "Briggs & Stratton" нет необходимости в гарантийном талоне. Сохраните Вашу квитанцию, подтверждающую покупку. Если при запросе на гарантийное обслуживание Вы не подтвердите документально дату первой покупки, то для определения гарантийного периода будет использована дата изготовления изделия.

В отношении Вашей гарантии

Компания Briggs & Stratton с готовностью выполнит гарантийный ремонт, и извинится за причиненные Вам неудобства. Любой уполномоченный сервисный дилер может выполнить гарантийный ремонт. Большинство гарантийных ремонтов выполняются обычным порядком, но иногда претензии на гарантийное обслуживание могут быть неправомерными. Чтобы избежать недоразумения между пользователем и дилером, ниже перечислены некоторые причины отказа двигателя, которые не покрываются гарантией.

Нормальный износ: Двигатели, как и любые другие механические устройства, требуют технического обслуживания и периодической замены частей и узлов. Гарантией не покрывается ремонт, необходимый в котором возникает в результате нормального износа двигателя или его отдельных частей в процессе эксплуатации. Гарантия не распространяется на такие случаи, когда дефекты двигателя явились результатом его неправильного использования, отсутствия надлежащего обслуживания или когда повреждения произошли в процессе транспортировки, погрузочно-разгрузочных работ, складирования двигателей или

из-за их неправильной установки. Гарантия также аннулируется, если был удален серийный номер двигателя или если двигатель был видоизменен или модифицирован.

Недостаточное техническое обслуживание: На срок службы двигателя влияют условия, в которых он эксплуатируется, а также уход, который он получает. Такие механизмы, как мотокультиваторы, мотопомпы, газонокосилки, очень часто используются в пыльной среде или забиваются грязью, что может вызвать преждевременный износ двигателя. Подобный "износ", вызванный попаданием в двигатель пыли, грязи, наждачных крошек (после зачистки свечи) и иного абразивного вещества, не подпадает под гарантию.

Гарантия относится только к дефектам материала и/или производства двигателей, но не к замене или возмещению стоимости оборудования, на котором они могут устанавливаться. Гарантия также не распространяется на ремонтные работы, связанные со следующими причинами:

- 1 **Использованием деталей, не являющихся оригинальными деталями от компании Briggs & Stratton.**
- 2 Применением таких устройств управления оборудованием, которые препятствуют запуску двигателя, являются причиной его

- неудовлетворительной работы или сокращают его нормальный срок функционирования. (Обращайтесь к изготовителю оборудования).
- 3 Подтеканием карбюраторов, стопорением клапанов, закупоркой топливopроводов или иными неисправностями, вызванными использованием несвежего или загрязненного бензина.
 - 4 Заеданием или поломкой деталей вследствие работы двигателя с недостаточным количеством смазочного масла, с загрязненным смазочным маслом, а также в случае использования масла несоответствующей марки (проверяйте уровень масла и, при необходимости, добавляйте масло и заменяйте его через рекомендуемые интервалы). Система OIL GARD может не отключить работающий двигатель. Повреждение двигателя может быть вызвано тем, что не поддерживался нужный уровень масла.
 - 5 Ремонтom или регулировкой присоединяемых деталей или узлов, например, муфт, трансмиссий, дистанционного управления и т.п., изготовленных не компанией Briggs & Stratton.
 - 6 Повреждением или износом деталей, вызванным попаданием в двигатель грязи из-за неправильной сборки пользователем воздушного фильтра или нерегулярным уходом за ним, или вследствие использования неоригинального картриджа и элемента воздушного фильтра. Через рекомендуемые интервалы выполняйте очистку и/или замену фильтра, как указано в руководстве для оператора.
 - 7 Повреждением деталей из-за чрезмерной скорости работы двигателя или из-за перегрева, вызванного блокировкой маховика или ребер охлаждения травой, грязью, мусором, либо использованием двигателя в ограниченном пространстве без достаточной вентиляции. Очищайте двигатель от мусора через рекомендованные интервалы времени, как указано в руководстве для оператора.
 - 8 Повреждением двигателя или конечного оборудования из-за чрезмерной вибрации, вызванной плохим закреплением двигателя на конечном оборудовании, плохим закреплением или неадекватной балансировкой лезвий, плохим закреплением или неадекватной балансировкой крыльчатки, неправильным соединением коленчатого вала с приводимыми устройствами, а также из-за чрезмерного повышения скорости работы или из-за иной неправильной эксплуатации двигателя.
 - 9 Искривлением или поломкой коленвала из-за столкновения лезвия ротационной газонокосилки с твердым предметом, или из-за чрезмерного натяжения клиноремненной передачи.
 - 10 Обычной регулировкой или настройкой двигателя.
 - 11 Повреждением двигателя или его компонентов, таких как камера сгорания, клапаны, седла клапанов, направляющие втулки клапанов или обгоранием обмоток стартера, вызванных использованием нетрадиционных видов топлива, как например, сжиженный газ, природный газ, модифицированные бензины с содержанием этанола более 10% и т.д.

Гарантийное обслуживание доступно только через уполномоченных сервисных дилеров компании Briggs & Stratton. Определите ближайшего к Вам уполномоченного сервисного дилера на нашей карте дилеров на Web-сайте: BRIGGSandSTRATTON.com или позвоните по телефону 1-800-233-3723 (в США).

Not for
Reproduction

Všeobecné informácie

Tento návod obsahuje bezpečnostné informácie, ktoré vás oboznámia s hazardmi a rizikami spojenými s motormi a ich predchádzaním. Taktiež obsahuje pokyny na správne používanie a ošetrovanie motora. Pretože Briggs & Stratton Corporation nemusí nevyhnutne vedieť, aké zariadenie bude poháňané týmto motorom, je dôležité, aby ste si prečítali a pochopili tieto pokyny a pokyny pre poháňané zariadenie. **Tieto pôvodné pokyny si uložte pre neskoršie nahliadnutie.**

Pri výmene dielov, alebo pri technickej pomoci si zaznamenajte model motora, typ a kódové čísla spolu s dátumom zakúpenia. Tieto čísla sa nachádzajú na motore (pozrite si stranu **Vlastností a ovládacie prvky**).

Dátum zakúpenia: _____
MM/DD/YYYY (mesiac/deň/rok)

Model motora: _____
Model: Typ: Kódové označenie:

Menovité výkony: Celkový menovitý výkon jednotlivých modelov benzínových motorov je uvádzaný v súlade s požiadavkami normy SAE (Spoločnosť odborníkov automobilového priemyslu) J1940 Postup stanovenia výkonu a krútiaceho momentu malého motora a je určený podľa SAE J1995. Hodnoty krútiaceho momentu sú stanovené pri 2600 ot./min. pre motory s „ot./min.“ uvedenými na štítku a pri 3060 ot./min. pre všetky ostatné motory; hodnoty výkonu sú stanovené pri 3600 ot./min. Krivky celkového výkonu si môžete pozrieť na stránke www.BRIGGSandSTRATTON.COM. Hodnoty užitočného výkonu sú stanovené pri namontovanom výfuku a vloženom vzduchovom filtri, zatiaľ čo hodnoty celkového výkonu sú stanovené bez tohto vybavenia. Skutočný celkový výkon motora bude vyšší než užitočný výkon a bude ovplyvnený, okrem iného, podmienkami prostredia v ktorom pracuje a rozdielmi medzi jednotlivými motormi. Kvôli širokému sortimentu výrobkov, na ktorých sú naše motory namontované sa môže stať, že benzínový motor nedodá celkový menovitý výkon pri používaní v danej elektrocentrále. Tento rozdiel je spôsobený rôznymi faktormi, okrem iného, dielmi motora (vzduchový filter, výfuk, plnenie valca, chladenie, karburátor, palivové čerpadlo, atď.), obmedzeniami použitia, prevádzkovými podmienkami okolitého prostredia (teplota, vlhkosť, nadmorská výška) a rozdielmi medzi jednotlivými motormi. Kvôli výrobným a kapacitným obmedzeniam, Briggs & Stratton môže tento motor nahradiť motorom s vyšším menovitým výkonom.

Bezpečnosť

SYMBOLY BEZPEČNOSTI A OVLÁDANIA



Symbol upozorňujúci na nebezpečie sa používa na označenie informácií o bezpečnostných rizikách, ktoré môžu mať za následok úraz. Slovné návěstie (NEBEZPEČIE, VAROVANIE, alebo UPOZORNENIE) sa používa so symbolom upozorňujúcim na nebezpečie na označenie pravdepodobnosti vzniku a možného ťažkého úrazu. Okrem toho sa môže symbol nebezpečenstva použiť na označenie typu nebezpečenstva.

NEBEZPEČIE označuje nebezpečenstvo, ktoré ak sa mu nevyhnete, **bude mať za následok smrteľný, alebo vážny úraz.**

VAROVANIE označuje nebezpečenstvo, ktoré ak sa mu nevyhnete, **môže mať za následok smrteľný, alebo vážny úraz.**

UPOZORNENIE označuje nebezpečenstvo, ktoré ak sa mu nevyhnete, **by mohlo mať za následok menší, alebo stredne veľký úraz.**

POZNÁMKA označuje situáciu, ktorá by mohla viesť k poškodeniu výrobku.

VAROVANIE
Určité zložky v tomto výrobku a v príslušenstve, ktoré s ním súvisí, obsahujú chemikálie, ktoré sú v štáte Kalifornia známe tým, že spôsobujú rakovinu, vrodené defekty, alebo iné reprodukčné poškodenie. Po manipulácii si umyte ruky.

VAROVANIE
Výfukové plyny z tohto výrobku obsahujú chemikálie, ktoré sú v Kalifornii známe tým, že spôsobujú rakovinu, vrodené vady, alebo iné reprodukčné poškodenie.

VAROVANIE
Motory Briggs & Stratton nie sú skonštruované a nemajú byť používané na pohon: motokár fun-kart a go-kart; detských, rekreačných, alebo športových štvorkolek (ATV); motocyklov; vznášadiel; leteckých výrobkov; alebo vozidiel používaných v súťažiach, ktoré nie sú schválené spoločnosťou Briggs & Stratton. Informácie o výrobkoch určených pre súťažné závody nájdete na stránke www.briggsracing.com. Pokiaľ ide o použitie na úžitkových a dvojmiestnych štvorkolkách, obráťte sa na Briggs & Stratton Engine Application Center, 1-866-927-3349 (stredisko pre používanie motorov Briggs & Stratton). Nevhodné použitie motora môže spôsobiť vážny, alebo smrteľný úraz.

POZNÁMKA: Tento motor bol dodaný od Briggs & Stratton bez oleja. Pred tým ako naštartujete motor nezabudnite naplniť olej podľa pokynov v tomto návode. Ak naštartujete motor bez oleja, tak sa neopraviteľne poškodí a nebude krytý zárukou.



VAROVANIE



Palivo a jeho pary sú veľmi horľavé a výbušné.
Požiar, alebo výbuch môže spôsobiť vážne popáleniny, alebo smrť.

Pri prilievaní paliva

- Vypnite motor a nechajte hovychladnúť aspoň 2 minúty, než vyskrutkujete uzáver palivovej nádrže.
- Palivovú nádrž doplňajte v otvorenom priestore, alebo v dobre vetranom priestore.
- Nepreplňajte palivovú nádrž. Aby zostal voľný priestor pre tepelnú expanziu paliva, nedoplňajte palivo nad spodok plniaceho hrdla palivovej nádrže.
- Palivo chráňte pred iskrami, otvorenými plameňmi, zapalovacími plamienkami, teplom a inými zápalnými zdrojmi.
- Často kontrolujte palivové rúrky, nádrž, uzáver nádrže a spojky, či nie sú prasknuté, alebo či netečú. V prípade potreby ich vymeňte.
- Ak sa palivo rozleje, počkajte kým sa vyparí a až potom štartujte motor.

Pri štartovaní motora

- Uistite sa, že zapalovacia sviečka, tlmíč výfuku, uzáver palivovej nádrže a vzduchový filter, (ak je ním motor vybavený), sú namontované na svojom mieste a zaistené.
- Motor neštartujte pri vyskrutkovanej zapalovacej sviečke.
- Ak sa motor prehlť benzínom, tak nastavte sýtič (ak je ním motor vybavený) do polohy OPEN (OTVORENÝ)/RUN (BEH), plyn (ak je na motore) dajte do polohy FAST (VYSOKÉ OTÁČKY) a štartujte motor, kým sa nenaštartuje.

Pri používaní zariadenia

- Nenakláňajte motor, alebo zariadenie pod uhlom, pri ktorom môže dôjsť k rozliatiu paliva.
- Nezastavujte motor škrténím karburátora.
- Nikdy neštartujte, ani nenechajte bežať motor s odmontovaným vzduchovým filtrom (ak je ním motor vybavený), alebo vybratou filtračnou vložkou, (ak ju motor má).

Keď sa mení olej

- Ak vypúšťate olej cez hornú rúrku pre nalievanie oleja, tak palivová nádrž musí byť prázdna, ináč môže uniknúť palivo a môže nastať požiar, alebo výbuch.

Pri nakláňaní stroja pri údržbe

- Keď robíte údržbu, ktorá si vyžaduje naklonenie stroja, musí byť palivová nádrž prázdna, ináč môže palivo vytečť a spôsobiť požiar, alebo výbuch.

Pri prenášaní zariadenia

- Prenášajte s PRÁZDNOU palivovou nádržou, alebo s UZATVORENÝM palivovým ventilom.

Pri skladovaní paliva, alebo zariadenia s motorom, ktorý má v nádrži palivo

- Uložte ďaleko od kotlov, pecí, ohrievačov vody, alebo iných spotrebičov, ktoré majú zapalovací plamienok, alebo iný zápalný zdroj, pretože môžu spôsobiť zapálenie výparov paliva.



VAROVANIE



Pri štartovaní motora vznikajú iskry.
Iskry môžu zapáliť blízke horľavé plyny.
Môže nastať výbuch, alebo požiar.

- Ak v priestore došlo k úniku zemného plynu, alebo propán - butánu, tak motor neštartujte.
- Nepoužívajte tlakové štartovacie kvapaliny, pretože výpary sú horľavé.



VAROVANIE



Pri behu motora vzniká teplo. Časti motora, hlavne tlmíč výfuku, sa veľmi zahrejú.
Dotyk s nimi môže spôsobiť ťažké popáleniny.
Môže sa zapáliť horľavý odpad, ako sú listy, tráva, chrastie, atď.

- Skôr ako sa ich dotknete, nechajte tlmíč výfuku, valec motora a rebrá vychladnúť.
- Z priestoru tlmíča výfuku a valca odstráňte nahromadené nečistoty.
- Je porušením Kalifornského zákonníka o verejných zdrojoch, Časť 4442, používať motor na akejkoľvek zašlesenej, zatravnenej ploche, alebo ploche pokrytej kríkmí, ak nie je výfukový systém vybavený zachytávačom iskier, ako je to zadané v Časti 4442 a ak nie je udržiavaný v efektívnom pracovnom stave. Iné štáty, alebo federálna jurisdikcia môže mať podobné zákony. Keď chcete získať zachytávač iskier, ktorý bol navrhnutý pre výfukový systém pre tento motor, skontaktujte sa s výrobcom originálneho zariadenia, s obchodníkom, alebo s predajcom.



VAROVANIE



RIZIKO OTRAVY JEDOVATÝM PLYNOM. Výfukový plyn z motora obsahuje kyslíčnik uhoľnatý, jedovatý plyn, ktorý by vás mohol zabiť počas niekoľkých minút. Je neviditeľný, nemá zápach, ani chuť. Aj keď necítite čuchom prítomnosť výfukového plynu, môžete vdychovať kyslíčnik uhoľnatý. Ak sa vám chce zvracať, cítite závrat, alebo slabosť počas používania tohto stroja, tak ho vypnite a **IHNED** vyjdite na čerstvý vzduch. Vyhľadajte pomoc lekára. Môžete mať otravu kyslíčnikom uhoľnatým.

- Tento stroj používajte IBA vonku, ďaleko od okien, dverí a vetracích otvorov, aby sa znížilo riziko nahromadenia kyslíčnika uhoľnatého a jeho vniknutia do obývaných priestorov.
- Namontujte batériu napájané signalizátory prítomnosti kyslíčnika uhoľnatého, alebo signalizátory napájané zo striedavej siete, vybavené záložnou batériou, podľa pokynov výrobcov signalizátorov. Dymové signalizátory nesignalizujú prítomnosť kyslíčnika uhoľnatého.
- Tento stroj **NEPOUŽÍVAJTE** v domoch, garážach, pivniciach, pôjdach, kôľňach, alebo iných čiastočne uzatvorených priestoroch, aj pri zapnutých ventilátoroch, alebo otvorených dverách a oknách kvôli vetraniu. Kyslíčnik uhoľnatý sa môže ľahko nahromadiť v týchto priestoroch a môže tam vydržať hodiny, aj po vypnutí motora.
- Tento stroj **VŽDY** umiestňujte po vetre a výfuk motora smerujte mimo obývaných priestorov.



VAROVANIE



Rýchle vtiahnutie štartovacej šnúry (spätný náraz) potiahne ruku a rameno k motoru rýchlejšie ako ju dokázate pustiť.

Môže to mať za následok zlomenie kostí, vznik modrín, alebo vykĺbenie.

- Pri štartovaní motora pomaly ťahajte štartovaciu šnúru kým neucítite odpor a potom prudko trhnite, aby ste prekonali spätý náraz.
- Pred štartovaním motora odpojte všetky externé zariadenia/zátáže motora.
- Priamo pripojené diely zariadení, ako napríklad, ale nie obmedzené na čepole, obežné kolesá, kladky, ozubené hnacie kolesá, atď., musia byť bezpečne pripojené.



VAROVANIE



Rotujúce časti sa môžu dotknúť, alebo zachytiť ruky, nohy, vlasy, odev, alebo doplnky.

Môže dôjsť k traumatickej amputácii, alebo vážnemu tržnému poraneniu.

- Zariadenie prevádzkujte s nasadenými krytmi.
- Ruky a nohy nepribližujte k rotujúcim častiam.
- Dlhé vlasy si zviažte a zložte bižutériu.
- Nenoste voľné odevy, visiace sťahovacie šnúry, alebo predmety, ktoré môžu byť zachytené.



VAROVANIE



Náhodné iskrenie môže spôsobiť požiar, alebo elektrický šok.

Neúmyselné naštartovanie môže spôsobiť zachytenie, traumatickú amputáciu, alebo tržné poranenie.

Nebezpečie požiaru

Pred nastavovaním, alebo opravami:

- Odpojte zapalovací kábel od zapalovacej sviečky a dajte ho preč od zapalovacej sviečky.
- Odpojte prívod od zápornej svorky akumulátora (iba u motorov s elektrickým štartovaním).
- Používajte iba správne nástroje.
- Nezvyšujte otáčky motora úpravou pružiny regulátora, spojok, alebo iných dielov.
- Náhradné diely musia mať rovnakú konštrukciu a musia byť namontované na rovnaké miesta ako pôvodné diely. Iné diely nemusia fungovať tak dobre, môžu poškodiť zariadenie a môžu spôsobiť úraz.
- Neudierajte do zotrvačnika kladivom, alebo tvrdým predmetom, pretože počas behu motora sa môže rozletieť na kusy.

Pri skúšaní iskry:

- Používajte schválenú skúšačku zapalovacej sviečky.
- Iskru neskúšajte pri vyskrutkovanej zapalovacej sviečke.

Vlastnosti a ovládacie prvky

Porovnajcie obrázok **1** so svojim motorom, aby ste sa oboznámili s umiestnením rôznych znakov a ovládacích prvkov.

- A. Označenie motora
Model Typ Kódové označenie
- B. Zapaľovacia sviečka
- C. Sytič
- D. Palivová nádrž a uzáver palivovej nádrže
- E. Vzduchový filter
- F. Rukoväť štartovacej šnúry
- G. Olejová mierka
- H. Tlmič výfuku
Ochranný kryt tlmiča výfuku (ak je použitý na motore)
Lapač iskier (ak je použitý na motore)
- I. Ovládanie plynu (ak je vo výbave)

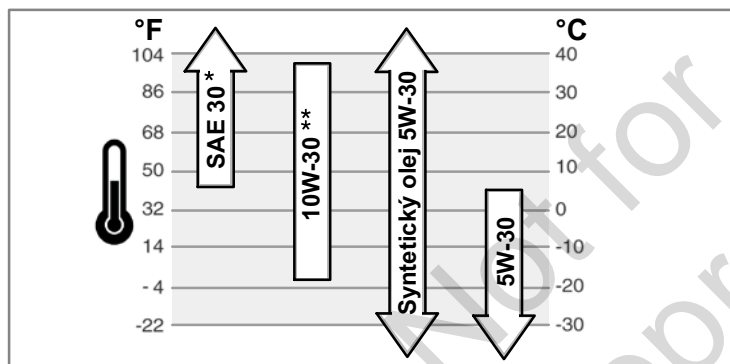
Používanie

Obsah oleja (pozrite si časť **Technické parametre**)

Doporučenia týkajúce sa oleja

Kvôli dosiahnutiu najvyššej výkonnosti motora odporúčame používať oleje Briggs & Stratton so záručným certifikátom. Prípustné sú aj iné vysoko kvalitné detergentné oleje, ak majú klasifikáciu pre prevádzku SF, SG, SH, SJ, alebo vyššiu. Nepoužívajte špeciálne prísady.

Správna viskozita motorového oleja je daná teplotou pracovného prostredia. Z tabuľky si podľa očakávaného rozsahu teplôt pracovného prostredia vyberte najvhodnejšiu viskozitu.



* Pri použití oleja SAE 30 pri teplote pod 4°C bude štartovanie ťažké.

** Pri použití oleja 10W-30 pri teplote nad 27°C môže dôjsť k zvýšeniu spotreby oleja. Hladinu oleja kontrolujte častejšie.

Ako skontrolovať/doplniť olej - Obrázok **2** **3**

Pred dopĺňaním, alebo kontrolou oleja

- Motor dajte do vodorovnej polohy.
- Odstráňte všetky nečistoty z okolia otvoru pre plnenie oleja.
- 1. Vytiahnite mierku (G) a utrite ju čistou handrou (Obrázok 2, Obrázok 3).
- 2. Vložte a utiahnite mierku.
- 3. Vytiahnite olejovú mierku a skontrolujte hladinu oleja. Hladina oleja by mala byť na hornej hranici indikátora maximálnej hladiny (J) na olejovej mierke.
- 4. Ak je oleja málo, tak do otvoru pre plnenie oleja pomaly dolejte olej (H). **Nepreplňte.** Po naliatí oleja počkajte jednu minútu a potom znovu skontrolujte hladinu oleja.
- 5. Zasuňte a utiahnite olejovú mierku.

System ochrany proti nedostatku oleja (ak je vo výbave)

Niektoré motory sú vybavené snímačom nedostatku (nizkej hladiny) oleja. Ak je málo oleja, tak snímač rozsvieti kontrolku, alebo vypne motor. Vypnite motor a pred jeho naštartovaním vykonajte tieto kroky.

- Uistite sa, že motor je vo vodorovnej polohe.
- Skontrolujte hladinu oleja. Pozrite si časť **Ako kontrolovať/doplniť olej**.
- Ak je málo oleja, tak ho prilejte správne množstvo. Naštartujte motor a uistite sa, že nesvieti výstražná kontrolka (ak je vo výbave).
- Ak nie je málo oleja, **neštartujte** motor. Spojte sa s autorizovaným zástupcom Briggs & Stratton a nechajte si odstrániť problém s olejom.

Doporučenia týkajúce sa paliva

Palivo musí vyhovovať týmto požiadavkám:

- Čistý, čerstvý, bezolovnatý benzín.
- Minimálne 87 oktánový/87 AKI (91 RON). Použitie vo vysokých nadmorských výškach je popísané ďalej.
- Je možné použiť benzín, obsahujúci maximálne 10% pridaného etanolu (gasohol).

UPOZORNENIE: Nepoužívajte neschválené benzíny, ako napríklad E15 a E85. Nepridávajte olej do benzínu, ani neupravujte motor pre použitie alternatívnych palív. Použitie neschválených palív spôsobí poškodenie dielov motora a **zrušenie záruky na motor**.

Na ochranu palivového systému pred usadzovaním živých usadenín, prímiešavajte do paliva stabilizátor paliva. Pozrite si **Skladovanie**. Všetky palivá nie sú rovnaké. Ak sa objavia problémy so štartovaním, alebo výkonnosťou, tak zmeňte predajcu paliva, alebo značku. Tento motor je certifikovaný pre používanie benzínu. Tento motor používa systém EM (Engine Modifications - úpravy motora) obmedzovania emisií vo výfukových plynch.

Vysoká nadmorská výška

V nadmorských výškach nad 1524 m je prípustný benzín s oktánovým číslom minimálne 85/85 AKI (89 RON). Aby naďalej vyhovoval emisným požiadavkám, je potrebné vykonať nastavenie pre veľkú nadmorskú výšku. Bez tohto nastavenia dôjde počas prevádzky k zníženiu výkonu, zvýšeniu spotreby paliva a zvýšeniu množstva emisií. Informácie o nastavení pre prácu vo veľkej nadmorskej výške získate u autorizovaného zástupcu Briggs & Stratton.

Používanie motora v nadmorských výškach pod 762 metrov, vybaveného pre vysoké nadmorské výšky, sa neodporúča.

Ako doplniť palivo - Obrázok **4**



VAROVANIE



Palivo a jeho pary sú veľmi horľavé a výbušné.

Požiar, alebo výbuch môže spôsobiť vážne popálenia, alebo usmrtenie.

Pri prilievaní paliva

- Vypnite motor a nechajte ho vychladnúť aspoň 2 minúty, než vyskrutkujete uzáver palivovej nádrže.
- Palivovú nádrž dopĺňajte v otvorenom priestore, alebo v dobre vetranom priestore.
- Nepreplňajte palivovú nádrž. Aby zostal voľný priestor pre tepelnú expanziu paliva, nedoplňajte palivo nad spodok plniaceho hrdla palivovej nádrže.
- Palivo chráňte pred iskrami, otvorenými plameňmi, zapaľovacími plamienkami, teplom a inými zápalnými zdrojmi.
- Často kontrolujte palivové rúrky, nádrže, uzáver nádrže a spojky, či nie sú prasknuté, alebo či netečú. V prípade potreby ich vymeňte.
- Ak sa palivo rozleje, počkajte kým sa vyparí a až potom štartujte motor.

1. Odstráňte špinu a nečistoty z okolia uzáveru palivovej nádrže. Vyskrutkujte uzáver palivovej nádrže (A, Obrázok 4).
2. Naplňte palivovú nádrž (B) palivom. Aby zostal voľný priestor pre expanziu paliva, nenaplňte nádrž nad spodok hrdla palivovej nádrže (C).
3. Nasadte uzáver palivovej nádrže.

Ako naštartovať motor - Obrázok **5** **6**



VAROVANIE



Rýchle vtiahnutie štartovacej šnúry (spätný náraz) potiahne ruku a rameno k motoru rýchlejšie ako ju dokážete pustiť.

Môže to mať za následok zlomenie kostí, vznik modrín, alebo vykĺbenie.

- Pri štartovaní motora pomaly ťahajte štartovaciu šnúru kým neucítite odpor a potom prudko trhnite, aby ste prekonalí spätý náraz.



VAROVANIE



Palivo a jeho pary sú veľmi horľavé a výbušné.

Požiar, alebo výbuch môže spôsobiť vážne popáleniny, alebo smrť.

Pri štartovaní motora

- Uistite sa, že zapaľovacia sviečka, tlmič výfuku, uzáver palivovej nádrže a vzduchový filter, (ak je ním motor vybavený), sú namontované na svojom mieste a zaistené.
- Motor neštartujte pri vyskrutkovanej zapaľovacej sviečke.
- Ak sa motor prehltí benzínom, tak nastavte sytič (ak je ním motor vybavený) do polohy OPEN (OTVORENÝ)/RUN (BEH), plyn (ak je na motore) dajte do polohy FAST (VYSOKÉ OTÁČKY) a štartujte motor, kým sa nenaštartuje.



VAROVANIE



RIZIKO OTRAVY JEDOVATÝM PLYNOM. Výfukový plyn z motora obsahuje kyslíčnik uhoľnatý, jedovatý plyn, ktorý by vás mohol zabiť počas niekoľkých minút. Je neviditeľný, nemá zápach, ani chuť. Aj keď necítite čuchom prítomnosť výfukového plynu, môžete vdychovať kyslíčnik uhoľnatý. Ak sa vám chce zvracať, cítite závrat, alebo slabosť počas používania tohto stroja, tak ho vypnite a **IHNED** vyjdite na čerstvý vzduch. Vyhľadajte pomoc lekára. Môžete mať otravu kyslíčnikom uhoľnatým.

- Tento stroj používajte IBA vonku, ďaleko od okien, dverí a vetracích otvorov, aby sa znížilo riziko nahromadenia kyslíčnika uhoľnatého a jeho vniknutia do obývaných priestorov.
- Namontujte batériu napájané signalizátory prítomnosti kyslíčnika uhoľnatého, alebo signalizátory napájané zo striedavej siete, vybavené záložnou batériou, podľa pokynov výrobcov signalizátorov. Dymové signalizátory nesignalizujú prítomnosť kyslíčnika uhoľnatého.
- Tento stroj **NEPOUŽÍVAJTE** v domoch, garážach, pivniciach, pôjdach, kôľňach, alebo iných čiastočne uzatvorených priestoroch, aj pri zapnutých ventilátoroch, alebo otvorených dverách a oknách kvôli vetraniu. Kyslíčnik uhoľnatý sa môže ľahko nahromadiť v týchto priestoroch a môže tam vydržať hodiny, aj po vypnutí motora.
- Tento stroj **VŽDY** umiestňujte po vetre a výfuk motora smerujte mimo obývaných priestorov.

POZNÁMKA: Tento motor bol dodaný od Briggs & Stratton bez oleja. Pred štartovaním motora nezabudnite naplniť olej podľa pokynov v tomto návode. Ak naštartujete motor bez oleja, tak sa neopraviteľne poškodí a prestane preň platiť záruka.

Poznámka: Zariadenie môže mať ovládacie prvky pre diaľkové ovládanie. Pozrite si návod k zariadeniu, v ktorom je uvedená poloha a používanie prvkov pre diaľkové ovládanie.

- Skontrolujte olej v motore. Pozrite si časť **Ako kontrolovať/doplňať olej**.
- Uistite sa, že ovládacie prvky zariadenia, na ktorom je motor namontovaný, ak sú vo výbave, sú vypnuté.

- Posuňte páku ovládania plynu (**A**, Obrázok 5), ak je vo výbave motora, do polohy fast (vysoké otáčky) . Motor používajte pri páke ovládania plynu nastavenej do polohy fast (vysoké otáčky) .
- Pri prvom štartovaní nového motora, päťkrát silno stlačte červené tlačidlo pumpy paliva (**B**). Potom pri každom ďalšom štartovaní stlačte pumpu paliva trikrát (Obrázok 5).
Poznámka: Ak sa v motore minie palivo, alebo ak bol motor uložený na dlhšiu dobu, tak možno bude potrebné stlačiť pumpu paliva päťkrát.
Poznámka: Nastreknutie paliva je zvyčajne potrebné pri štartovaní teplého motora.
Poznámka: Ak pumpu paliva stlačíte viackrát než je potrebné, tak prebytočné palivo zahľti karburátor a nastanú problémy s naštartovaním motora.
- Ak je zariadenie, na ktorom je motor, vybavené pákou pre zastavenie motora (**C**), tak držte túto páku prítlačenej k rukoväti zariadenia (Obrázok 6).
- Pevne uchopte rukoväť štartovacej šnúry (**D**). Pomaly ťahajte rukoväť štartovacej šnúry kým neucítite odpor a potom prudko potiahnite (Obrázok 5).
Poznámka: Ak motor po opakovaných pokusoch nenaštartuje, tak zopakujte kroky 4, 5 a 6. Ak stále neštartuje, tak choďte na **BRIGGSandSTRATTON.COM**, alebo zavolajte na telefónne číslo **1-800-233-3723** (v USA).



VAROVANIE: Rýchle stiahnutie štartovacej šnúry späť (spätný náraz) vám potiahne ruku a rameno k motoru rýchlejšie, než ju stihnete uvoľniť. Môže to spôsobiť zlomeninu ruky, modriny, alebo vyvrtnutie. Pri štartovaní motora pomaly ťahajte štartovaciu šnúru kým neucítite odpor a potom prudko trhnite, aby ste prekonalí spätý náraz.

Ako zastaviť motor - Obrázok 6

Uvoľnite páku pre zastavenie motora (**E**). Pozrite si Obrázok 6.

Motor s páčkou ovládania plynu: Páčku ovládania plynu (**A**, Obrázok 5) presuňte do polohy stop .

Údržba

POZNÁMKA: Ak sa motor počas údržby nakláňa, tak palivová nádrž **musí byť prázdna** a strana, na ktorej sa nachádza zapalovacia sviečka, **musí byť hore**. Ak palivová nádrž nie je prázdna a ak sa motor nakloní ktorýmkoľvek iným smerom, tak sa môžu objaviť problémy so štartovaním motora kvôli tomu, že olej, alebo benzín, nasiakne do vložky vzduchového filtra a/alebo zanesie zapalovaciu sviečku.



VAROVANIE: Keď robíte údržbu, ktorá si vyžaduje naklonenie stroja, musí byť palivová nádrž prázdna, ináč môže palivo vyteciť a spôsobiť požiar, alebo výbuch.

Odporúčame, aby ste kvôli každej údržbe a servisu motora a dielov motora navštívili ktoréhokoľvek autorizovaného servisného zástupcu Briggs & Stratton.

POZNÁMKA: Všetky diely použité pri stavbe tohto motora musia byť na svojom mieste, aby motor správne fungoval.

Kontrola emisií

Údržba, výmena, alebo oprava zariadení a systémov na obmedzovanie emisií vo výfukových plynoch môže byť vykonaná ktoroukoľvek opravovňou, alebo pracovníkom, ktorí opravujú motory neurčené pre vozidlá používané na cestných komunikáciách. Avšak "bezplatná" kontrola emisií vo výfukových plynoch môže byť vykonaná iba u servisného zástupcu autorizovaného výrobným zádom. Pozrite si Záruka na emisie.



VAROVANIE



Náhodné iskrenie môže spôsobiť požiar, alebo elektrický šok. Neúmyselné naštartovanie môže spôsobiť zachytenie, traumatickú amputáciu, alebo tržné poranenie. Nebezpečie požiaru

Pred nastavovaním, alebo opravami:

- Odpojte zapalovací kábel od zapalovacej sviečky a dajte ho preč od zapalovacej sviečky.
- Odpojte prívod od zápornej svorky akumulátora (iba u motorov s elektrickým štartovaním).
- Používajte iba správne nástroje.
- Nezvyšujte otáčky motora úpravou pružiny regulátora, spojok, alebo iných dielov.
- Náhradné diely musia mať rovnakú konštrukciu a musia byť namontované na rovnaké miesta ako pôvodné diely. Iné diely nemusia fungovať tak dobre, môžu poškodiť zariadenie a môžu spôsobiť úraz.
- Neudierajte do zotrvačnika kladivom, alebo tvrdým predmetom, pretože počas behu motora sa môže rozletieť na kusy.

Pri skúšaní iskry:

- Používajte schválenú skúšačku zapalovacej sviečky.
- Iskru neskúšajte pri vyskrutkovanej zapalovacej sviečke.

Tabuľka údržby

Prvých 5 hodín
<ul style="list-style-type: none">Vymeňte olej
Každých 8 hodín, alebo denne
<ul style="list-style-type: none">Skontrolujte hladinu motorového olejaVyčistite priestor okolo tlmíča výfuku a ovládačov.
Každých 25 hodín, alebo raz ročne
<ul style="list-style-type: none">Vyčistite vložku vzduchového filtra *
Každých 50 hodín, alebo raz ročne
<ul style="list-style-type: none">Vymeňte motorový olejSkontrolujte tlmíč výfuku a lapač iskier
Raz ročne
<ul style="list-style-type: none">Vymeňte vložku vzduchového filtraVymeňte zapaľovaciu sviečkuVyčistite vzduchový chladiaci systém *

* V prašných podmienkach, alebo pri vzduchu znečistenom úlomkami, čistite častejšie.

Nastavenie karburátora a otáčok motora

Nikdy nenastavujte karburátor, alebo otáčky motora. Karburátor bol nastavený v závode tak, aby efektívne fungoval vo väčšine pracovných podmienok. Nemeňte otáčky motora nastavením pružiny regulátora motora, neupravujte tiahla, alebo iné diely motora. Ak je potrebné akékoľvek nastavenie, tak sa obráťte na autorizované servisné stredisko Briggs & Stratton.

POZNÁMKA: Výrobca stroja určuje maximálne otáčky motora, namontovaného na stroji. **Neprekračujte** tieto otáčky. Ak nevíete aké sú maximálne otáčky stroja, alebo na aké otáčky bol motor nastavený vo výrobnom závode, tak si to zistíte v autorizovanom servisnom stredisku Briggs & Stratton. Otáčky motora musí nastavovať iba kvalifikovaný servisný technik, aby bola zaistená bezpečná a správna činnosť stroja.

Ako vymeniť zapaľovaciu sviečku - Obrázok 7

Skontrolujte vzdialenosť elektród (A, Obrázok 7) drôtovou mierkou (B). Ak je to potrebné, tak vzdialenosť elektród upravte. Zapaľovaciu sviečku zaskrutkujte a utiahnite doporučeným uťahovacím momentom. Nastavenie vzdialenosti elektród, alebo veľkosť uťahovacieho momentu si pozrite v časti **Technické parametre**.

Poznámka: Niekde miestne zákony vyžadujú používanie zapaľovacej sviečky s odporom na potlačenie signálov generovaných zapaľovaním. Ak tento motor bol pôvodne vybavený zapaľovacou sviečkou s odporom, tak na jej náhradu použijete rovnaký typ zapaľovacej sviečky.

Skontrolujte tlmíč výfuku a lapač iskier - Obrázok 8



VAROVANIE



Pri behu motora vzniká teplo. Časti motora, hlavne tlmíč výfuku, sa veľmi zohrejú.



Dotyk s nimi môže spôsobiť ťažké popáleniny.



Môže sa zapáliť horľavý odpad, ako sú listy, tráva, chrastie, atď.

- Skôr ako sa ich dotknete, nechajte tlmíč výfuku, valec motora a rebrá vychladnúť.
- Z priestoru tlmíča výfuku a valca odstráňte nahromadené nečistoty.
- Je porušením Kalifornského zákonníka o verejných zdrojoch, Časť 4442, používať motor na akejkoľvek zalesnenej, zatravnenej ploche, alebo ploche pokrytej krikmi, ak nie je výfukový systém vybavený zachytávačom iskier, ako je to zadané v Časti 4442 a ak nie je udržiavaný v efektívnom pracovnom stave. Iné štáty, alebo federálna jurisdikcia môže mať podobné zákony. Keď chcete získať zachytávač iskier, ktorý bol navrhnutý pre výfukový systém pre tento motor, kontaktujte sa s výrobcom originálneho zariadenia, s obchodníkom, alebo s predajcom.

Z priestoru tlmíča výfuku a valca odstráňte nahromadené nečistoty. Skontrolujte tlmíč výfuku, (A) či nie je popraskaný, skorodovaný, alebo ináč poškodený. Odmontujte lapač iskier (B), ak je použitý na motore a skontrolujte, či nie je poškodený, alebo zanesený olejovými usadeninami. Ak nájdete poškodenie, tak pred používaním motora namontujte náhradné diely.



VAROVANIE: Náhradné diely musia mať rovnakú konštrukciu a musia byť namontované na rovnaké miesta ako pôvodné diely. Iné diely nemusia fungovať tak dobre, môžu poškodiť zariadenie a môžu spôsobiť úraz.

Ako vymeniť olej - Obrázok 2 3 9 10



VAROVANIE



Palivo a jeho pary sú veľmi horľavé a výbušné.



Požiar, alebo výbuch môže spôsobiť vážne popáleniny, alebo smrť.

- Ko olje izlivate skozi cev za dolivanje olja na vrhu, mora biti rezervoar za gorivo prazen, ker lahko gorivo izteka in povzroči požar ali eksplozijo.

Použitý olej je nebezpečný odpad a musí byť správne zlikvidovaný. Nevyhadzujte ho s domovým odpadom. Overte si na miestnych úradoch, v servisnom stredisku, alebo u zástupcu, existenciu bezpečných likvidačných/recyklačných závodov.

Vypustite olej

Olje morate izpustiti skozi zgornjo cev za dolivanje olja (E, Obrázok 10).

- Na vypnutom, ale ešte teplom motore odpojte zapaľovací kábel od zapaľovacej sviečky (A) a nepribližujte ho k zapaľovacej sviečke (Obrázok 9).
- Izvlčite merilno palico za olje (G, Obrázok 2).
- Ko olje izlivate skozi cev za dolivanje olja na vrhu (E), naj bo stran motorja s svečkou (F) zgoraj (Obrázok 10). Olje izpustite v odobreno posodo.



VAROVANIE: Ko olje izlivate skozi cev za dolivanje olja na vrhu, mora biti rezervoar za gorivo prazen, ker lahko gorivo izteka in povzroči požar ali eksplozijo. Na vyprázdnenie palivovej nádrže nechajte motor bežať, kým sa nezastaví kvôli nedostatku paliva.

Nalejte olej

- Motor dajte do vodorovnej polohy.
 - Odstráňte všetky nečistoty z okolia otvoru pre plnenie oleja.
 - Pozrite si časť **Technické parametre** kde je uvedené množstvo oleja.
- Vyťahnite mierku (G) a utrite ju čistou handrou (Obrázok 2, Obrázok 3).
 - Do otvoru pre plnenie oleja pomaly nalievajte olej (H). **Nesmiete prepniť.** Po naliatí oleja počkajte jednu minútu a potom znovu skontrolujte hladinu oleja.
 - Zasuňte a utiahnite olejovú mierku.
 - Vyťahnite olejovú mierku a skontrolujte hladinu oleja. Hladina oleja by mala byť na hornej hranici indikátora maximálnej hladiny (J) na olejovej mierke.
 - Zasuňte a utiahnite olejovú mierku.

Ako vykonať údržbu vložky vzduchového filtra - Obrázok 11 12



VAROVANIE



Palivo a jeho pary sú veľmi horľavé a výbušné.



Požiar, alebo výbuch môže spôsobiť vážne popálenia, alebo usmrtenie.

- Nikdy neštartuje, ani nenechajte bežať motor s odmontovaným vzduchovým filtrom (ak je ním motor vybavený), alebo vybratou filtračnou vložkou, (ak ju motor má).

POZNÁMKA: Na čistenie vložky filtra nepoužívajte tlakový vzduch, alebo rozpušťadlá. Tlakový vzduch môže vložku filtra poškodiť a rozpušťadlá vložku filtra rozpustia.

Sú zobrazené dva typy vzduchových filtrov, **Štandardný** a **Vysokokapacitný**. Zistite si, aký typ máte použitý vo svojom motore a nasledujúcim spôsobom vykonajte jeho údržbu.

Štandardný vzduchový filter - Obrázok 11

Štandardný vzduchový filter používa penovú vložku, ktorú je možné vyprať a znovu použiť.

- Vyskrutkujte skrutku (A) z vrchu zostavy vzduchového filtra (B). Pozrite si Obrázok 11.
- Opatrne zložte z motora zostavu vzduchového filtra tak, aby do karburátora pritom nespadla nečistota.
- Vyberte penovú vložku vzduchového filtra (C) zo spodnej časti zostavy vzduchového filtra.
- Penovú vložku vyperte v roztoku saponátového čistiaceho prostriedku a vody. Penovú vložku vyžmýkajte dosucha v čistej handre.
- Penovú vložku nechajte nasiaknuť čistým motorovým olejom. Prebytočný motorový olej odstráňte z penovej vložky vyžmýkaním v čistej handre.
- Penovú vložku vložte do spodnej časti zostavy vzduchového filtra.
- Zostavu vzduchového filtra položte na karburátor a zasuňte skrutkou.

Vysokokapacitný vzduchový filter - Obrázok 12

Vysokokapacitný vzduchový filter používa skladanú vložku.

- Vyskrutkujte skrutku (A) z vrchu zostavy vzduchového filtra (B). Pozrite si Obrázok 12.
- Opatrne zložte z motora zostavu vzduchového filtra tak, aby do karburátora pritom nespadla nečistota.

3. Vyberte skladanú vložku filtra (C) zo spodnej časti zostavy vzduchového filtra.
4. Na uvoľnenie nečistôt, jemne poklepte skladanou filtračnou vložkou o tvrdý povrch. Ak je skladaná filtračná vložka veľmi špinavá, nahraďte ju novou filtračnou vložkou.
5. Vložte skladanú filtračnú vložku.
6. Zostavu vzduchového filtra nasadte na karburátor a zaistite skrutkou.

Vyčistite vzduchový chladiaci systém - Obrázok 13



VAROVANIE



Pri behu motora vzniká teplo. Časti motora, hlavne tlmíč výfuku, sa veľmi zohrejú.



Dotyk s nimi môže spôsobiť ťažké popáleniny.

Môže sa zapáliť horľavý odpad, ako sú listy, tráva, chrastie, atď.

- Skôr ako sa ich dotknete, nechajte tlmíč výfuku, valec motora a rebrá vychladnúť.
- Z priestoru tlmíča výfuku a valca odstráňte nahromadené nečistoty.

POZNÁMKA: Motor nečistíte vodou. Voda sa môže dostať do palivového systému. Na čistenie motora používajte kefu, alebo suchú handru.

Tento motor je chladený vzduchom. Špina, alebo úlomky môžu obmedziť prietok vzduchu a spôsobiť prehriatie motora, čo spôsobí zníženie výkonnosti a skráti životnosť motora.

Úlomky z chrániča prstov (A) odstráňte kefou, alebo suchou handrou. Tiahla, pružiny a ovládacie prvky (B) udržiavajte v čistote. Priestor okolo a za tlmíčom výfuku (C) čistíte od všetkých horľavých úlomkov (Obrázok 13).

Skladovanie



VAROVANIE



Benzín a jeho pary sú veľmi horľavé a výbušné.



Palivo a jeho pary sú veľmi horľavé a výbušné.



Požiar, alebo výbuch môže spôsobiť vážne popáleniny, alebo smrť.

Pri skladovaní paliva, alebo zariadenia s motorom, ktorý má v nádrži palivo

- Uložte ďaleko od kotlov, pecí, ohrievačov vody, alebo iných spotrebičov, ktoré majú zapalovací plamienok, alebo iný zápalný zdroj, pretože môžu spôsobiť zapálenie výparov paliva.

Palivový systém

Palivo môže pri skladovaní dlhšom než 30 dní zvetrať. Zvetrané palivo vytvára kyslé a živičné usadeniny v palivovom systéme, alebo v hlavných častiach karburátora. Na udržanie paliva v čerstvom stave používajte **Briggs & Stratton prípravok na ošetrovanie a stabilizáciu paliva (Advanced Formula Fuel Treatment & Stabilizer)**, ktorý dostanete kúpiť vo všetkých predajniach, predávajúcích originálne náhradné diely Briggs & Stratton.

Pre motory vybavené FRESH START® uzáverom palivovej nádrže, použite **Briggs & Stratton FRESH START®** dostupný v zásobníku, z ktorého postupne odkvapkáva koncentrovaný stabilizátor.

Ak sa stabilizátor paliva pridá podľa pokynov, tak nie je potrebné vypúšťať benzín z motora. Motor pred uskladnením nechajte bežať 2 minúty, aby stabilizátor prešiel celým palivovým systémom.

Ak benzín v motore nebol ošetrený stabilizátorom paliva, tak benzín musí byť vypustený do nádoby schválenej na tento účel. Nechajte motor bežať, až sa zastaví kvôli nedostatku benzínu. Aby benzín zostal čerstvý, odporúčame naliať stabilizátor paliva do nádoby pre skladovanie benzínu.

Motorový olej

Motorový olej vymieňajte pri teplom motore.

POZNÁMKA: Motor skladujte vo vodorovnej polohe (normálna pracovná poloha). Ak sa motor musí uložiť v naklonenej polohe, tak palivová nádrž **musí byť prázdna** a strana, na ktorej sa nachádza zapalovacia sviečka, **musí byť hore**. Ak palivová nádrž nie je prázdna a ak sa motor nakloní ktorýmkoľvek iným smerom, tak sa môžu objaviť problémy so štartovaním motora kvôli tomu, že olej, alebo benzín, nasiakne do vložky vzduchového filtra a/alebo zanesie zapalovaciu sviečku.

Riešenie problémov

Potrebujete pomoc? Choďte na **BRIGGSandSTRATTON.COM**, alebo zavolajte na telefónne číslo **1-800-233-3723** (v USA).

Technické parametre

Technické parametre motora

Model	90000
Zdvihový objem	148 cm ³
Vítanie	65,08 mm
Zdvih	44,45 mm
Obsah oleja	0,54 - 0,59 l
Olej v reduktore	80W-90

Technické parametre motora

Model	100000
Zdvihový objem	158 cm ³
Vítanie	65,08 mm
Zdvih	47,65 mm
Obsah oleja	0,54 - 0,59 l
Olej v reduktore	SAE 30

Predpisy pre nastavovanie *

Model	90000, 100000
Vzdialenosť elektrod zapalovacej sviečky	0,76 mm
Uťahovací moment zapalovacej sviečky	20 Nm
Vzduchová medzera armatúry	0,15 - 0,25 mm
Vôľa nasávacieho ventilu	0,13 - 0,18 mm
Vôľa výfukového ventilu	0,18 - 0,23 mm

* Výkon motora sa zníži o 3,5% na každých 300 metrov nadmorskej výšky a o 1% na každých 5,6° C nad hodnotu 25° C. Motor bude spoľahlivo pracovať pri sklone do 15°. Pozrite si návod na obsluhu zariadenia, kde sú uvedené bezpečné prípustné pracovné limity na svahoch.

Bežné servisné diely ✓

Servisný diel	Číslo dielu
Štandardný vzduchový filter	698369
Vysokokapacitný vzduchový filter	797819
Olej - SAE 30	100005
Prisada do paliva	5041, 5058
Zapalovacia sviečka s odporom	796112
Platinová zapalovacia sviečka s dlhou životnosťou	5062
Kľúč pre zapalovaciu sviečku	89838, 5023
Skúšačka iskry	19368

✓ Odporúčame, aby ste kvôli každej údržbe a servisu motora a dielov motora navštívili ktoréhokoľvek autorizovaného servisného zástupcu Briggs & Stratton.

OBMEDZENÁ ZÁRUKA

Briggs & Stratton ručí za to, že počas nižšie uvedenej doby záruky bezplatne opraví, alebo vymení každý diel s vadou materiálu, alebo dielenského spracovania, alebo s obidvomi vadami. Prepravné náklady výrobku predloženého na opravu, alebo výmenu, podľa tejto záruky, musí niesť kupujúci. Táto záruka platí na dobu a za podmienok stanovených ďalej. O záručnú opravu požiadať najbližšieho autorizovaného servisného zástupcu na našej vyhľadávacej mape na stránke BRIGGSandSTRATTON.COM. Kupujúci musí kontaktovať autorizovaného servisného zástupcu a potom mu musí doručiť motor na prehliadku a vyskúšanie.

Neexistuje žiadna ďalšia výslovná záruka. Predpokladané záruky, vrátane záruk predajnosti a vhodnosti na určitý účel, sú obmedzené na dobu jedného roka od zakúpenia, alebo na inú dobu, povolenú zákonom. Všetky ostatné predpokladané záruky sú vylúčené. Zodpovednosť za náhodné, alebo následné škody je vylúčená v maximálnom rozsahu, povolenom zákonom. Niektoré štáty, alebo krajiny, nepovoľujú obmedzenie doby platnosti predpokladanej záruky a niektoré štáty, alebo krajiny nepovoľujú vylúčenie, alebo obmedzenie náhodných, alebo následných škôd, takže vyššie uvedené obmedzenie a vylúčenie sa vás nemusí týkať. Táto záruka vám dáva konkrétne práva a navyše môžete mať ďalšie práva, ktoré sú rôzne v jednotlivých krajinách a štátoch **.

ŠTANDARDNÉ ZÁRUČNÉ PODMIENKY * ▲

Značka/Typ výrobku	Spotrebiteľské použitie	Obchodné použitie
Vanguard™ ■	3 roky	3 roky
Komerčná séria Turf™	2 roky	2 roky
Séria Extended Life™; I/C®; Intek™ I/C®; Intek™ Pro;™ Séria Professional™ s Dura-Bore™ liatinovým puzdrom valca; Séria 850™ s Dura-Bore™ liatinovým puzdrom valca; Séria Snow MAX™ s Dura-Bore™ liatinovým puzdrom valca Všetky ostatné motory Briggs & Stratton s Dura-Bore™ liatinovou vložkou valca	2 roky	1 rok
Všetky ostatné motory Briggs & Stratton	2 roky	90 dní

* Toto sú naše štandardné záručné podmienky, ale niekedy môže existovať doplnkové poistné krytie, ktoré neexistovalo v čase publikácie. Zoznam aktuálnych záručných podmienok pre váš motor nájdete na stránke BRIGGSandSTRATTON.COM, alebo sa obráťte na svojho autorizovaného zástupcu Briggs & Stratton.

** V Austrálii - Naše výrobky dodávame so zárukami, ktoré nie je možné vylúčiť na základe austrálskeho spotrebiteľského práva. Máte nárok na výmenu tovaru, alebo vrátenie peňazí pri výskyte závažnej poruchy a na refundáciu akejkoľvek inej prijateľnej, predvídateľnej straty, alebo škody. Taktiež máte nárok dať si tovar opraviť, alebo vymeniť, ak tovar nebude mať prijateľnú kvalitu a ak porucha nebude závažná. Na uplatnenie záruky si vyhľadajte najbližšieho autorizovaného servisného zástupcu na našej vyhľadávacej mape na stránke BRIGGSandSTRATTON.COM, alebo zavolajte na číslo 1300 274 447, alebo zašlite email, alebo riadny list na adresu salesenquiries@briggsandstratton.com.au, Briggs & Stratton Australia Pty Ltd, 1 Moorebank Avenue, Moorebank, NSW, Australia, 2170.

▲ Aplikácie v domácich záložných elektrocentrálach: Vzťahuje sa na ne iba 2 ročná spotrebiteľská záruka. Nevzťahuje sa na ne komerčná záruka. Táto záruka neplatí pre motory v zariadeniach, používaných ako zdroje elektrického prúdu namiesto energetickej distribučnej spoločnosti. **Záruka neplatí pre motory, používané pri športových závodoch, alebo na komerčných, alebo najomných závodných dráhach.**

■ Vanguard umiestnený v záložných elektrocentrálach: 2 ročná záruka pre koncových používateľov, žiadna záruka pre komerčné použitie. Vanguard namontovaný na úžitkových vozidlách: 2 ročná záruka pre koncových používateľov, 2 ročná záruka pre komerčné použitie. Vanguard 3-valcový, kvapalinou chladený: Pozrite si reklamačný poriadok pre majiteľa motora Briggs & Stratton 3/LC.

Záručná doba začína plynúť dňom zakúpenia prvým maloobchodným zákazníkom, alebo komerčným koncovým užívateľom a trvá po dobu uvedenú vo vyššie uvedenej tabuľke. „Zákaznícke využitie“ znamená osobné používanie v domácnosti maloobchodným zákazníkom. „Komerčné využitie“ znamená všetky ostatné využitia, vrátane využívania na komerčné účely, ktoré prinášajú zisk, alebo na prenájom. Keď už bol raz motor použitý na komerčné účely, tak pre účely tejto záruky bude považovaný za komerčne používaný motor.

Na získanie záruky na výrobky Briggs & Stratton nie je potrebné žiadne potvrdenie záručného listu. Odložte si bloček z nákupu. Ak pri reklamácií nepredložíte bloček s dátumom nákupu, tak na určenie záručnej doby bude použitý dátum výroby výrobku.

O vašej záruke

Briggs & Stratton ochotne zaistí záručnú opravu a ospravedlňuje sa spôsobenému neprijemnosti. Záručné opravy vykonávajú všetci autorizovaní servisní zástupcovia. Väčšina záručných opráv je vybavená rutinným spôsobom, ale niekedy môžu byť požiadavky na záručnú opravu neoprávnené. Aby sa predišlo nedorozumeniu, ktoré môže nastať medzi zákazníkom a predajcom, je nižšie uvedených niekoľko príčin vzniku poruchy motora, na ktoré sa nevzťahuje záruka.

Normálne opotrebenie: Motory, podobne ako všetky mechanické zariadenia, si vyžadujú pravidelnú údržbu a výmenu dielov, aby správne fungovali. Záruka sa nevzťahuje na opravy dielov, alebo motora, ktorých životnosť bola vyčerpaná normálnym používaním. Záruka nebude platiť, ak poškodenie motora bolo spôsobené nesprávnym používaním, nedostatočnou bežnou údržbou, prepravou, manipuláciou, skladovaním, alebo nesprávnou montážou. Podobne, záruka neplatí, ak bolo z motora odstránené výrobné číslo, alebo ak bol motor pozmenený, alebo upravený.

Nesprávna údržba: Životnosť motora závisí na podmienkach v ktorých pracuje a starostlivosti, ktorá je mu venovaná. Pri niektorých využitíach, ako napríklad na kultivátoroch, čerpadlách a rotačných kosačkách, sú veľmi často používané v prašnom, alebo znečistenom prostredí, ktoré môže spôsobiť ich predčasnú opotrebenie. Na toto opotrebenie, spôsobené špinou, prachom, materiálom na brúsenie elektród zapalovacej sviečky, alebo iným abrazívnym materiálom, ktorý sa dostal do motora kvôli nevhodnej údržbe, neplatí záruka.

Táto záruka platí iba na vadný materiál, alebo nesprávne spracovanie materiálu motora a nie na výmenu, alebo preplatenie zariadenia, ku ktorému môže byť motor pripojený. Záruka neplatí ani na opravy potrebné kvôli:

1 Problémom spôsobeným dielmi, ktoré nie sú originálnymi dielmi Briggs & Stratton.

2 Ovládacím prvkom zariadenia na ktorom je motor, alebo upevneniam, ktoré bránia štartovaniu, sú príčinou neuspokojivého výkonu motora, alebo skracujú jeho životnosť (spojte sa s výrobcom zariadenia).

3 Netesniacim karburátorom, upchaným palivovým rúrkam, zalepeným ventilom, alebo iným poškodeniam, spôsobeným používaním znečisteného, alebo zvetraného paliva.

- 4 Dielom, ktoré sú poškrábané, alebo zlomené preto, lebo motor bol používaný s malým množstvom mazacieho oleja, alebo znečisteným mazacím olejom, alebo mazacím olejom nesprávnej triedy (kontrolujte a v prípade potreby dolievajte a vymieňajte v pravidelných intervaloch). OIL GARD nesmie vypnúť bežiaci motor. Pri nesprávne udržiavanej hladine oleja môže dôjsť k poškodeniu motora.
- 5 Oprave, alebo nastaveniu súvisiacich dielov, alebo zostáv, ako sú spojky, transmisie, diaľkové ovládania, atď., ktoré nie sú vyrobené u Briggs & Stratton.
- 6 Poškodeniu, alebo opotrebeniu dielov, spôsobených špinou, ktorá vnikla do motora kvôli nesprávnej údržbe vzduchového filtra, nesprávnej montáži, alebo používaniu inej než originálnej filtračnej vložky. Všetky doporučené intervaly čistenia, resp. výmeny filtračnej vložky sú uvedené v návode na obsluhu.
- 7 Dielom poškodeným pretočením, alebo prehriatím, spôsobeným trávou, úlomkami, alebo špinou, ktoré upchali chladiace rebrá, alebo priestor zotrvačníka, alebo poškodenia spôsobené používaním motora v stiesnenom priestore, bez dostatočného vetrania. Úlomky odstráňte z motora v pravidelných intervaloch, uvedených v návode na používanie.
- 8 Dielom motora, alebo zariadeniam, zničeným nadmernými vibráciami, spôsobenými uvoľnením upevnenia motora, uvoľnenými nožmi kosačky, nevyváženými nožmi, alebo uvoľnenými, alebo nevyváženými obežnými kolesami, nesprávnym pripojením zariadenia ku kľukovému hriadeľu motora, nadmernými otáčkami, alebo iným nesprávnym zaobchádzaním počas používania.
- 9 Kľukovej hriadeľi ohnutej, alebo zlomenej nárazom noža rotačnej kosačky do tvrdého predmetu, alebo kvôli prílišnému napnutiu klinového remeňa.
- 10 Bežnému ladeniu, alebo nastavovaniu motora.
- 11 Poruche motora, alebo dielu motora, t.j. spaľovacej komore, ventilom, sedlám ventilov, vedeniam ventilov, alebo spáleným vinutiam motora štartéra, spôsobeným používaním alternatívnych palív, ako propán - bután, zemný plyn, benzín obsahujúci viac než 10% etanolu, atď.

Záručný servis poskytujú iba autorizovaní servisní zástupcovia Briggs & Stratton. Vyhľadajte si najbližšieho autorizovaného servisného zástupcu na našej vyhľadávacej mape na stránke BRIGGSandSTRATTON.COM, alebo zavolajte na číslo 1-800-233-3723 (v USA).

Splošni podatki

Priročnik vsebuje varnostne informacije, s katerimi vas seznanja z nevarnostmi in tveganji, povezanimi z motorji in kako se jim izogniti. Vsebuje tudi navodila za pravilno uporabo in nego motorja. Ker družba Briggs & Stratton nima vedno podatkov o tem, kateri stroj bo ta motor pogonjal, morate prebrati in razumeti ta navodila in navodila stroja. **Originalna navodila shranite za uporabo v prihodnje.**

Za nadomestne dele ali tehnično pomoč spodaj poleg datuma nakupa zabeležite številko modela, tipa in kodno številko motorja. Te številke se nahajajo na motorju (oglejte si stran **Deli in upravljalni vzvodi**).

Datum nakupa: _____
MM/DD/YYYY

Model motorja: _____
Model: Tip: Koda:

Moč motorja: Bruto moč posameznih modelov bencinskih motorjev je označena v skladu s pravilnikom SAE (Society of Automotive Engineers) J1940 (Small Engine Power & Torque Rating Procedure), naznačena pa je v skladu s pravilnikom SAE J1995. Vrednost navora je merjena pri 2600 vrt./min. pri motorjih, ki imajo na nalepki napisano »rpm«, in 3060 vrt./min. pri vseh ostalih; vrednosti moči pa so merjene pri 3600 vrt./min.. Krivuljo bruto moči si lahko ogledate na www.BRIGGSandSTRATTON.COM. Neto moč motorja je izmerjena ob nameščenih izpušni cevi in zračnem filtru, bruto moč pa je izmerjena brez teh dodatkov. Dejanska bruto moč motorja je višja od neto moči motorja, nanjo pa, poleg drugega, vplivajo okoljski delovni pogoji in razlike med posameznimi motorji. Ob upoštevanju velikega izbora proizvodov, ki jih pogonjajo naši motorji, bencinski motor na določeni napravi morda ne bo razvil nazivne bruto moči. Razlika je posledica vrste vplivov, ki vključujejo, vendar niso omejeni samo na sledeče: različne dele motorjev (zračni filter, izpuh, polnjenje, hlajenje, uplinjač, črpalka za gorivo itd.), omejitve uporabe, razmere delovnega okolja (temperatura, zračna vlaga, nadmorska višina) in razliko med posameznimi motorji. Zaradi omejitev proizvodnje in zmožljivosti lahko podjetje Briggs & Stratton zamenja močnejši motor za ta motor.

Varnost uporabnika

VARNOSTNI SIMBOLI IN SIMBOLI ZA UPRAVLJANJE



OPOZORILO

Določeni sestavni deli v tem izdelku in povezani deli vsebujejo kemikalije, za katere je v državi Kaliforniji znano, da povzročajo raka, prirojene hibe ali druge genetske okvare. Po rokovanju si umijte roke.



OPOZORILO

Izpuh motorja pri tem izdelku vsebuje kemikalije, za katere je v Kaliforniji znano, da povzročajo raka, prirojene hibe ali druge genetske okvare.



OPOZORILO

Briggs & Strattonovi motorji niso zasnovani za in niso namenjeni za pogon: kartov za prosti čas; gokartov; otroških, rekreativnih ali športnih terenskih vozil (ATV); motornih koles; vozil na zračno blazino; zrakoplovnih izdelkov; ali vozil, uporabljenih na tekmovanjih, ki jih ni odobrilo podjetje Briggs & Stratton. Za informacije o izdelkih za tekmovalno dirkanje si oglejte www.briggsracing.com. Za uporabo z večnamenskimi vozili in štirikolesniki s sopotnikovim sedežem vzporedno z voznikovim (side-by-side) se obrnite na Briggs & Strattonov center za svetovanje glede uporabe motorjev, 1-866-927-3349. Napačna uporaba motorja lahko pripelje do hudih poškodb ali smrti.

Varnostni opozorilni simbol se uporablja za identifikacijo varnostnih informacij o nevarnostih, ki bi lahko povzročile telesne poškodbe. Signalna beseda (NEVARNOST, OPOZORILO ali POZOR) se uporablja za opozorilni simbol za opozarjanje na verjetnost in potencialno resnost poškodbe. Poleg tega se lahko simbol za nevarnost uporablja za označevanje vrste nevarnosti.



NEVARNOST opozarja na tveganje, ki bo, če se mu ne izognemo, povzročilo smrt ali težko poškodbo.



OPOZORILO opozarja na tveganje, ki lahko v primeru, da se mu ne izognemo, povzroči smrt ali težko poškodbo.



POZOR opozarja na tveganje, ki lahko v primeru, da se mu ne izognemo, povzroči manjšo ali zmerno poškodbo.

OPOMBA opozarja na situacijo, ki lahko povzroči poškodbo izdelka.

OPOMBA: Briggs & Stratton dobavi motorje brez olja. Pred zagonom motorja dolijte olje v skladu z navodili v tem priročniku. Če zaženet motor brez olja, se le-ta poškoduje in v tem primeru garancija ne velja.



OPOZORILO



Gorivo in njegovi hlapi so izjemno vnetljivi in eksplozivni. Ogenj ali eksplozija lahko povzročita težke opekline ali smrt.

Med dolivanjem goriva

- Izključite motor in pustite, da se le-ta ohlaja vsaj 2 minuti, preden odstranite pokrovček rezervoarja za gorivo.
- Rezervoar za gorivo polnite zunaj ali v dobro zračenem prostoru.
- Rezervoarja za gorivo ne napolnite preveč. Da omogočite širjenje goriva, le-to ne sme segati prek spodnjega dela vratu rezervoarja za gorivo.
- Gorivo hranite proč od virov iskrenja, odprtega ognja, kontrolnih lučk, toplote in drugih virov vžiga.
- Redno preverjajte morebitno puščanje vodov za gorivo, rezervoarja, pokrovčka in priključkov. Po potrebi jih zamenjajte.
- Če se gorivo razlije, počakajte, da izhlapi, preden zaženete motor.

Pri zagonu motorja

- Poskrbite, da bodo vžigalna svečka, izpuh, pokrovček rezervoarja za gorivo in zračni filter (če obstaja) na svojem mestu in pritrjeni.
- Ne zaganjajte motorja, če svečka ni vstavljena.
- Če gorivo zalije motor, nastavite dušilno loputo (če obstaja) v položaj OPEN/RUN, regulator plina (če obstaja) premaknite v položaj FAST in zaganjajte, dokler motor ne vžge.

Med uporabo stroja

- Motorja ali stroja ne nagibajte pod kotom, ki bi povzročil razlitje goriva.
- Ne uporabljajte dušilne lopute uplinjača za zaustavitev motorja.
- Motorja ne zaganjajte oziroma ga ne pustite teči, ko je odstranjen sestav zračnega filtra (če obstaja) ali zračni filter (če obstaja).

Pri menjavi olja

- Če olje izlivate prek cevi za dolivanje olja na vrhu, mora biti rezervoar za gorivo prazen, ker lahko gorivo izteka in povzroči požar ali eksplozijo.

Pri nagibanju enote zaradi vzdrževanja

- Pri vzdrževalnih delih, ki zahtevajo nagib enote, mora biti rezervoar za gorivo prazen, ker lahko v nasprotnem primeru gorivo izteče in povzroči požar ali eksplozijo.

Pri prevozu stroja

- Prevažajte s PRAZNIIM rezervoarjem za gorivo ali z ZAPRTIM zapornim ventilom za gorivo.

Pri shranjevanju goriva ali stroja z gorivom v rezervoarju

- Hranite proč od odprtega ognja, peči, grelcev za vodo ali drugih naprav, ki imajo kontrolno lučko ali drugi vir vžiga, ker lahko vžgejo hlape goriva.



OPOZORILO



Med zaganjanjem motorja pride do iskrenja. Iskrenje lahko vžge bližnje vnetljive pline. Lahko pride do eksplozije in ognja.

- Če v okolici pušča zemeljski ali utekočinjen naftni plin, ne zaganjajte motorja.
- Ne uporabljajte zagonskih tekočin pod pritiskom, ker so hlapi vnetljivi.



OPOZORILO



NEVARNOST ZARADI STRUPENIH PLINOV. Izpušni plin iz motorja vsebuje ogljikov monoksid, strupen plin, ki je lahko hitro usoden. NE MORETE ga videti, vohati ali okusiti. Tudi če ne vohate izpušnih plinov, ste vseeno lahko izpostavljeni ogljikovemu monoksidu. Če vam med uporabo tega izdelka postane slabo, se vam začne vrteti ali postanete šibki, ga ugasnite in pojdite TAKOJ na svež zrak. Obiščite zdravnika. Morda ste se zastrupili z ogljikovim monoksidom.

- S tem izdelkom upravljajte LE zunaj, daleč stran od oken, vrat ali prezračevalnikov, da zmanjšate nevarnost kopičenja ogljikovega monoksida in da ta ne prehaja na mesta, kjer se nahajajo ljudje.
- Namestite baterijske alarmne naprave za zaznavanje ogljikovega monoksida ali vključite alarmne naprave za zaznavanje ogljikovega monoksida z nadomestnim napajanjem z baterijo v skladu s proizvajalčevimi navodili. Alarmne naprave za zaznavanje dima ne morejo zaznati ogljikovega monoksida.
- Ta izdelek naj NE deluje v domovih, garažah, kletih, kletih z nizkimi stropi, lopah ali drugih delno zaprtih prostorih, tudi če uporabljate ventilatorje ali odprte vrata in okna za zračenje. Ogljikov monoksid se v teh prostorih hitro nakopiči in se tam zadržuje več ur, tudi če ugasnete izdelek.
- Ta izdelek naj bo VEDNO postavljen tako, da bo veter pihal stran od njega, izpuh motorja pa naj bo obrnjen stran od mest, kjer se nahajajo ljudje.



OPOZORILO



Zaradi hitrega povratnega vleka zaganjalne vrvi (povratni sunek) potegne roko proti motorju hitreje, kot lahko spustite ročko. Lahko pride do zloma kosti, zmečkanin ali izpaha.

- Ko zaganjate motor, počasi vlečite zaganjalno vrv, dokler ne začutite upora, nato pa jo povlecite hitro, da preprečite povratni sunek.
- Pred zaganjanjem motorja odstranite vse zunanje obremenitve stroja/motorja.
- Neposredno priključeni sestavni deli opreme, kot so na primer rezila, rotorji, jermenice, verižniki itd, morajo biti dobro pritrjeni.



OPOZORILO



Vrtljivi deli lahko zadenejo ali se zapletejo v roke, noge, lase, oblačila ali dodatke.

Lahko pride do travmatične amputacije ali težkih ran.

- Med delovanjem stroja morajo biti nameščena varovala.
- Rok in nog ne približujte vrtljivim delom.
- Spnite si dolge lase in odstranite nakit.
- Ne nosite ohlapnih oblačil, opletajočih vrvic ali predmetov, ki bi se lahko ujeli.



OPOZORILO



Delujoči motorji se segrevajo. Deli motorja, posebej izpuh, se močno segrejejo.

Ob dotiku lahko pride do težkih opeklin.



Vnetljivi odpadki, kot so listje, trava, dračje itd., se lahko vnamejo.

- Pustite, da se izpuh, valj motorja in hladilna rebra ohladijo, preden se jih dotaknete.
- Odstranite material, ki se je nabral na območju izpuha in valja.
- Po določilih poglavja 4442 Zakona o javnih sredstvih države Kalifornije gre za kršitev, če uporabljate ali upravljate stroj na gozdnatih, grmičastih ali travnatih predelih, če na izpušnem sistemu ni nameščen brezhiben lovilec isker, kot je opredeljeno v Poglavju 4442. Druge države ali zvezne oblasti imajo lahko podobne zakone. Obrnite se na proizvajalca, trgovca ali preprodajalca originalne opreme, da vam priskrbi originalni lovilec isker za izpušni sistem, ki je nameščen na motorju.



OPOZORILO



Nenamerno iskrenje lahko povzroči ogenj ali električni udar.

Nenamerni zagon lahko povzroči zapletanje, travmatično amputacijo ali rano.

Nevarnost požara



Pred nastavljanjem ali popravili:

- Snemite kabel vžigalne svečke in ga hranite proč od svečke.
- Odklopite negativni pol akumulatorja (samo pri motorjih z električnim zagonom).
- Uporabljajte le pravo orodje.
- Obratov motorja ne povečujte s spreminjanjem krmilne vzmeti, povezav ali drugih delov.
- Nadomestni deli morajo biti enaki in nameščeni na enakem položaju kot originalni deli. Zaradi neoriginalnih delov lahko pride do slabšega delovanja, okvare enote in poškodb.
- Vztrajnika ne udarjajte s klavdom ali trdim predmetom, ker lahko kasneje med delovanjem razpade.

Pri preizkušanju iskrenja:

- Uporabljajte odobreno napravo za preizkušanje iskre.
- Iskre ne preverjajte z odstranjeno svečko.

Deli in regulatorji

Sliko **1** primerjajte z motorjem, da se seznanite z mesti različnih delov in upravljalnih vzvodov.

- A. Identifikacija motorja
Model Tip Koda
- B. Vžigalna svečka
- C. Črpalka za hladni zagon
- D. Rezervoar za gorivo in pokrov
- E. Zračni filter
- F. Ročica zaganjalne vrvi
- G. Merilna palica za olje
- H. Izpuh
Ščitnik izpuha (če obstaja)
Lovilec isker (če obstaja)
- I. Regulator plina (če obstaja)

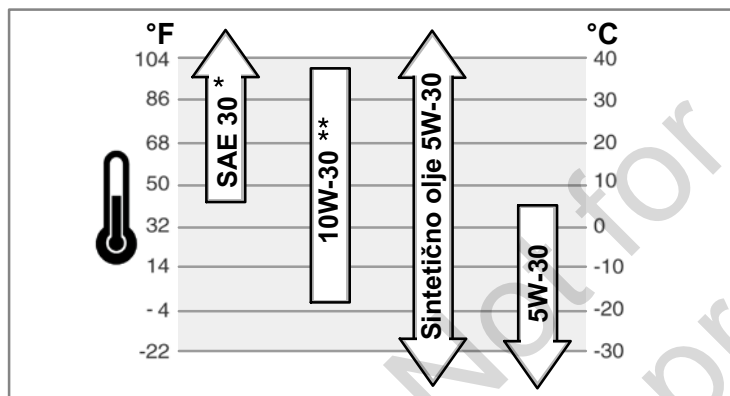
Delovanje

Količina olja (oglejte si poglavje **Specifikacije**)

Priporočila za olje

Za najboljše delovanje priporočamo uporabo olja, ki ga določa garancija podjetja Briggs & Stratton. Sprejemljiva so tudi druga visokokakovostna detergentna olja, če so označena za uporabo SF, SG, SH, SJ ali višje. Ne uporabljajte posebnih dodatkov.

Glede na zunanje temperature se določi ustrezna viskoznost olja za motor. S pomočjo diagrama izberite najboljšo viskoznost za pričakovan temperaturni razpon na prostem.



* Pod 40°F (4°C) bo zaradi uporabe olja z oznako SAE 30 motor težje zagnati.

** Nad 80°F (27°C) se bo zaradi uporabe olja z oznako 10W-30 povečala poraba olja. Pogosteje preverjajte raven olja.

Preverjanje/dolivanje olja - **slika 2** **3**

Pred dolivanjem ali preverjanjem olja

- Motor postavite naravnost.
 - Z območja odprtine za dolivanje olja očistite umazanijo.
1. Izvlecite merilno palico (**G**) in jo obrišite s čisto krpo (slika 2, slika 3).
 2. Vstavite in privijte merilno palico za olje.
 3. Izvlecite merilno palico za olje in preverite raven olja. Olje mora segati do oznake FULL (**J**) na merilni palici.
 4. Če je olja premalo, ga počasi nalivajte v odprtino za dolivanje olja (**H**). **Ne napolnite preveč.** Po dolitem olju počakajte eno minuto in nato ponovno preverite raven olja.
 5. Vstavite in privijte merilno palico za olje.

Sistem za nadzor prenizke ravni olja (če obstaja)

Nekateri motorji so opremljeni s tipalom za prenizko raven olja. Če je raven olja prenizka, bo tipalo vklopilo opozorilno lučko ali pa zaustavilo motor. Zaustavite motor in sledite tem korakom, preden motor ponovno zaženete.

- Motor mora biti postavljen naravnost.
- Preverite raven olja. Oglejte si poglavje **Preverjanje/dolivanje olja**.
- Če je raven olja nizka, dolijte ustrezno količino olja. Zaženite motor in se prepričajte, da opozorilna lučka (če obstaja) ne gori.
- Če raven olja ni prenizka, **motorja ne zaganjajte**. Za odpravo težave z ravno olja se obrnite na pooblaščenega trgovca Briggs & Stratton.

Priporočila za gorivo

Gorivo mora izpolnjevati naslednje zahteve:

- Čist, svež neosvinčen bencin.
- Najmanj 87 oktanov/87 AKI (91 RON). Uporaba na visoki nadmorski višini, oglejte si spodaj.
- Sprejemljiv je bencin z vsebnostjo etanola do 10 % (gasohol).

POZOR: Ne uporabljajte neodobrenega bencina, kot sta E15 in E85. Ne mešajte olja v bencin in ne spreminjajte motorja za delovanje na alternativna goriva. Zaradi uporabe neodobrenih goriv se poškodujejo deli motorja in **garancija za motor postane neveljavna**.

Da bi sistem za gorivo zaščitili pred nabiranjem usedlin, v gorivo vmešajte stabilizator za gorivo. Oglejte si **Shranjevanje**. Niso vsa goriva enaka. Če se pojavijo težave pri zagonu ali delovanju, zamenjajte dobavitelja goriva ali znamko. Ta motor je odobren za delovanje na bencin. Sistem za nadzor emisij za ta motor je EM (Spremembe motorja).

Visoka nadmorska višina

Pri nadmorskih višinah prek 1524 metrov je sprejemljiv najmanj 85-oktanski/85 AKI (89 RON) bencin. Za ohranitev emisijske ustreznosti je potrebna nastavitve za visoke nadmorske višine. Delovanje brez te nastavitve pripelje do slabše zmogljivosti, povišane porabe goriva in povečanih emisij. Za informacije o nastavitvi za visoke nadmorske višine se obrnite na pooblaščenega predstavnika podjetja Briggs & Stratton.

Delovanje motorja pri nadmorskih višinah pod 762 metri s kompletom za uporabo na visoki nadmorski višini ni priporočljivo.

Dolivanje goriva - **slika 4**



OPOZORILO



Gorivo in njegovi hlapi so izjemno vnetljivi in eksplozivni. Ogenj ali eksplozija lahko povzročita težke opekline ali smrt.



Med dolivanjem goriva

- Izključite motor in pustite, da se le-ta ohlaja vsaj 2 minuti, preden odstranite pokrovček rezervoarja za gorivo.
- Rezervoar za gorivo polnite zunaj ali v dobro zračenem prostoru.
- Rezervoarja za gorivo ne napolnite preveč. Da omogočite širjenje goriva, le-to ne sme segati prek spodnjega dela vratu rezervoarja za gorivo.
- Gorivo hranite proč od virov iskrenja, odprtega ognja, kontrolnih lučk, toplote in drugih virov vžiga.
- Redno preverjajte morebitno puščanje vodov za gorivo, rezervoarja, pokrovčka in priključkov. Po potrebi jih zamenjajte.
- Če se gorivo razlije, počakajte, da izhlapi, preden zaženete motor.

1. Z območja pokrovčka rezervoarja za gorivo očistite umazanijo in delce. Odstranite pokrovček rezervoarja za gorivo (**A**, slika 4).
2. Rezervoar za gorivo (**B**) napolnite z gorivom. Da omogočite širjenje goriva, le-ta ne sme segati prek spodnjega dela vratu rezervoarja za gorivo (**C**).
3. Ponovno namestite pokrovček rezervoarja za gorivo.

Zagon motorja - **slika 5** **6**



OPOZORILO



Zaradi hitrega povratnega vleka zaganjalne vrvi (povratni sunek) potegne roko proti motorju hitreje, kot lahko spustite ročko. Lahko pride do zloma kosti, zmečkanin ali izpaha.

- Ko zaganjate motor, počasi vlecite zaganjalno vrv, dokler ne začutite upora, nato pa jo povlecite hitro, da preprečite povratni sunek.



OPOZORILO



Gorivo in njegovi hlapi so izjemno vnetljivi in eksplozivni. Ogenj ali eksplozija lahko povzročita težke opekline ali smrt.

Pri zagonu motorja

- Poskrbite, da bodo vžigalna svečka, izpuh, pokrovček rezervoarja za gorivo in zračni filter (če obstaja) na svojem mestu in pritrjeni.
- Ne zaganjajte motorja, če svečka ni vstavljena.
- Če gorivo zalije motor, nastavite dušilno loputo (če obstaja) v položaj OPEN/RUN, regulator plina (če obstaja) premaknite v položaj FAST in zaganjajte, dokler motor ne vžge.



OPOZORILO



NEVARNOST ZARADI STRUPENIH PLINOV. Izpušni plin iz motorja vsebuje ogljikov monoksid, strupen plin, ki je lahko hitro usoden. NE MORETE ga videti, vohati ali okusiti. Tudi če ne vohate izpušnih plinov, ste vseeno lahko izpostavljeni ogljikovemu monoksidu. Če vam med uporabo tega izdelka postane slabo, se vam začne vrteti ali postanete šibki, ga ugasnite in pojdite TAKOJ na svež zrak. Obiščite zdravnika. Morda ste se zastрупili z ogljikovim monoksidom.

- S tem izdelkom upravljajte LE zunaj, daleč stran od oken, vrat ali prezračevalnikov, da zmanjšate nevarnost kopičenja ogljikovega monoksida in da ta ne prehaja na mesta, kjer se nahajajo ljudje.
- Namestite baterijske alarmne naprave za zaznavanje ogljikovega monoksida ali vključite alarmne naprave za zaznavanje ogljikovega monoksida z nadomestnim napajanjem z baterijo v skladu s proizvajalčevimi navodili. Alarmne naprave za zaznavanje dima ne morejo zaznati ogljikovega monoksida.
- Ta izdelek naj NE deluje v domovih, garažah, kletih, kletih z nizkimi stropi, lopah ali drugih delno zaprtih prostorih, tudi če uporabljate ventilatorje ali odprete vrata in okna za zračenje. Ogljikov monoksid se v teh prostorih hitro nakopiči in se tam zadržuje več ur, tudi če ugasnete izdelek.
- Ta izdelek naj bo VEDNO postavljen tako, da bo veter pihal stran od njega, izpuh motorja pa naj bo obrnjen stran od mest, kjer se nahajajo ljudje.

OPOMBA: Briggs & Stratton dobavi motorje brez olja. Pred zagonom motorja dolijte olje v skladu z navodili v tem priročniku. Če zaženete motor brez olja, se le-ta poškoduje in v tem primeru garancija ne velja.

Opomba: Stroj ima morda regulatorje za daljinsko upravljanje. Za mesto in delovanje regulatorjev si oglejte priročnik stroja.

1. Preverite motorno olje. Oglejte si poglavje **Preverjanje/dolivanje olja**.
2. Poskrbite, da bodo pogonski regulatorji, če obstajajo, sproščeni.
3. Regulator plina (A, slika 5), če obstaja, premaknite v položaj za hitro delovanje



Med delovanjem motorja naj bo regulator plina v položaju za hitro delovanje

4. Pri prvem zagonu novega motorja 5-krat močno pritisnite rdeč gumb črpalke za hladni zagon (B). Pri vseh nadaljnjih zagonih pa gumb pritisnite trikrat (slika 5)

Opomba: Če zmanjka goriva ali če je bil motor dalj časa shranjen, bo morda potrebno gumb črpalke za hladni zagon pritisniti petkrat.

Opomba: Vbrizganje običajno ni potrebno, če zaganjate že ogret motor.

Opomba: Če prevečkrat pritisnete gumb črpalke za hladni zagon, lahko prekomerna količina goriva zalije motor in le-tega bo težko zagnati.

5. Če je izdelek opremljen z vzvodom za zaustavitev motorja (C), le-tega držite ob ročaju (slika 6).
6. Močno držite ročico zaganjalne vrvi (D). Počasi jo vlecite, dokler ne začutite upora, nato jo povlecite hitro (slika 5).


Opomba: Če se motor po več poskusih zagona ne zažene, ponovite korake 4, 5 in 6. Če se tudi takrat ne zažene, pojdite na spletno stran **BRIGGSandSTRATTON.COM** ali pokličite **1-800-233-3723** (v ZDA).



OPOZORILO: Zaradi hitrega povratnega vleka zaganjalne vrvi (povratni sunek) potegne roko proti motorju hitreje, kot lahko spustite ročko. Lahko pride do zloma kosti, zmečkanin ali izpaha. Ko zaganjate motor, počasi vlecite zaganjalno vrv, dokler ne začutite upora, nato pa jo povlecite hitro, da preprečite povratni sunek.

Zaustavitev motorja - slika 6

Sprostite vzvod za zaustavitev motorja (E). Oglejte si slika 6.

Motor z regulatorjem plina: Regulator plina (A, slika 5) premaknite v položaj za zaustavitev 

Vzdrževanje

OPOMBA: Če motor med vzdrževanjem nagibate, mora biti rezervoar za gorivo prazen, stran z vžigalno svečko pa mora biti zgoraj. Če rezervoar za gorivo ni prazen in bo motor nagnjen, ga bo morda težko zagnati, ker olje ali bencin onesnažita zračni filter in/ali vžigalno svečko.



OPOZORILO: Pri vzdrževalnih delih, ki zahtevajo nagib enote, mora biti rezervoar za gorivo prazen, ker lahko v nasprotnem primeru gorivo izteče in povzroči požar ali eksplozijo.

Priporočamo, da se obrnete na katerega koli pooblaščenega trgovca Briggs & Stratton za vsa vzdrževalna dela in servisiranje motorja in njegovih delov.

OPOMBA: Za pravilno delovanje morajo vsi sestavni deli motorja ostati na svojem mestu.

Nadzor emisij

Vzdrževalna dela, zamenjave ali popravila naprav in sistemov nadzora emisij lahko izvrši vsaka poslovalnica za popravila izvenestnih motorjev ali posameznik. Če pa želite "brezplačen" servis delov za nadzor emisij, ga mora izvršiti s strani tovarne pooblaščen trgovec. Oglejte si garancijo za emisije.



OPOZORILO



Nenamerno iskenje lahko povzroči ogenj ali električni udar.



Nenamerni zagon lahko povzroči zapletanje, travmatično amputacijo ali rano.



Nevarnost požara



Pred nastavljanjem ali popravili:

- Snemite kabel vžigalne svečke in ga hranite proč od svečke.
- Odklopite negativni pol akumulatorja (samo pri motorjih z električnim zagonom).
- Uporabljajte le pravo orodje.
- Obratov motorja ne povečujte s spreminjanjem krmilne vzmeti, povezav ali drugih delov.
- Nadomestni deli morajo biti enaki in nameščeni na enakem položaju kot originalni deli. Zaradi neoriginalnih delov lahko pride do slabšega delovanja, okvare enote in poškodb.
- Vztrajnika ne udarjajte s kladivom ali trdim predmetom, ker lahko kasneje med delovanjem razpade.

Pri preizkušanju iskenja:

- Uporabljajte odobreno napravo za preizkušanje iskre.
- Iskre ne preverjajte z odstranjeno svečko.

Tabela vzdrževanja

Po prvih 5-ih urah
<ul style="list-style-type: none">Zamenjajte olje
Vsaki 8 ur ali dnevno
<ul style="list-style-type: none">Preverite raven motornega oljaOčistite območje okrog izpuha in upravljalnih vzvodov
Vsaki 25 ur ali letno
<ul style="list-style-type: none">Očistite zračni filter *
Vsaki 50 ur ali letno
<ul style="list-style-type: none">Zamenjajte motorno oljePreglejte izpuh in lovilec isker
Letno
<ul style="list-style-type: none">Zamenjajte zračni filterZamenjajte vžigalno svečkoOčistite sistem za zračno hlajenje *

* V prašnih razmerah ali ob prisotnosti delcev v zraku očistite večkrat.

Nastavljanje uplinjača in vrtljajev motorja

Uplinjača ali vrtljajev motorja ne nastavljajte sami. Uplinjač je tovarniško nastavljen za učinkovito delovanje v večini razmer. Vrtljajev motorja ne spreminjajte s spreminjanjem krmilne vzmeti, povezav ali drugih delov. Če so potrebne kakršnekoli nastavitve, se za servisno pomoč obrnite na pooblaščen servisni center podjetja Briggs & Stratton.

OPOMBA: Proizvajalec stroja določi najvišje vrtljaje motorja, ko je nameščen na stroj. **Ne prekoračite** teh vrtljajev. Če niste prepričani, kakšna je najvišja hitrost stroja ali na kakšne vrtljaje je motor tovarniško nastavljen za delovanje, se za pomoč obrnite na pooblaščen servisni center podjetja Briggs & Stratton. Za varno in pravilno delovanje stroja mora vrtljaje motorja nastaviti le usposobljen strokovnjak.

Zamenjava vžigalne svečke - slika 7

Preverite razmak (A, slika 7) z merilnim lističem (B). Po potrebi razmak ponastavite. Vžigalno svečko namestite in privijte do priporočenega zateznega momenta. Za nastavitve razmaka ali zatezni moment si oglejte poglavje **Specifikacije**.

Opomba: Na nekaterih področjih zahteva krajevna zakonodaja uporabo uporabne svečke za slabljenje signalov vžiga. Če je bil motor v začetku opremljen z uporabno svečko, uporabite isto vrsto svečke za zamenjavo.

Preglejte izpuh in lovilec isker - slika 8



OPOZORILO



Delujoči motorji se segrevajo. Deli motorja, posebej izpuh, se močno segrejejo.



Ob dotiku lahko pride do težkih opeklin.

Vnetljivi odpadki, kot so listje, trava, dračje itd., se lahko vnamejo.

- Pustite, da se izpuh, valj motorja in hladilna rebra ohladijo, preden se jih dotaknete.
- Odstranite material, ki se je nabral na območju izpuha in valja.
- Po določilih poglavja 4442 Zakona o javnih sredstvih države Kalifornije gre za kršitev, če uporabljate ali upravljate stroj na gozdnatih, grmičastih ali travnatih predelih, če na izpušnem sistemu ni nameščen brezhiben lovilec isker, kot je opredeljeno v Poglavju 4442. Druge države ali zvezne oblasti imajo lahko podobne zakone. Obrnite se na proizvajalca, trgovca ali preprodajalca originalne opreme, da vam priskrbi originalni lovilec isker za izpušni sistem, ki je nameščen na motorju.

Odstranite material, ki se je nabral na območju izpuha in valja. Preglejte izpuh (A) zaradi morebitnih razpok, zarjavelosti ali drugih poškodb. Odstranite lovilec isker (B), če obstaja, in preverite morebitne poškodbe ali nakopičenost saj. Če odkrijete poškodbe, pred začetkom uporabe namestite nadomestne dele.



OPOZORILO: Nadomestni deli morajo biti enaki in nameščeni na enakem položaju kot originalni deli. Zaradi neoriginalnih delov lahko pride do slabšega delovanja, okvare enote in poškodb.

Zamenjava olja - slika 2 3 9 10



OPOZORILO



Gorivo in njegovi hlapi so izjemno vnetljivi in eksplozivni. Ogenj ali eksplozija lahko povzročita težke opekline ali smrt.



- Keč vypúšťate olej cez hornú rúrku pre nalievanie oleja, tak palivová nádrž musí byť prázdna, ináč môže uniknúť palivo a môže nastat' požiar, alebo výbuch.

Uporabljeno olje je nevaren odpadni proizvod in ga je treba odlagati na pravilen način. Ne odlagajte ga z gospodinjstvi odpadki. Za varno odlaganje/recikliranje se obrnite na krajevne oblasti, servisni center ali pooblaščenega trgovca.

Odstranjevanje olja

Olej musí byť vypustený cez hornú rúrku pre nalievanie oleja (E, slika 10).

- Ob ugasnjenem, a še vedno toplo motorju snemite kabel vžigalne svečke (A) in ga hranite proč od svečke (slika 9).
- Vytiahnite olejovú mierku (G, slika 2).
- Če olje izlivate skozi cev za dolivanje olja na vrhu (E), naj bo stran motorja s svečko (F) zgoraj (slika 10). Olje izpustite v odobreno posodo.



OPOZORILO: Keč vypúšťate olej cez hornú rúrku pre nalievanie oleja, tak palivová nádrž musí byť prázdna, ináč môže uniknúť palivo a môže nastat' požiar, alebo výbuch. Če želite izprazniti rezervoar za gorivo, pustite motor teči, dokler se ne zaustavi zaradi pomanjkanja goriva.

Dolivanje olja

- Motor postavite naravnost.
 - Z območja odprtine za dolivanje olja očistite umazanijo.
 - Za količino olja si oglejte poglavje **Specifikacije**.
- Izvlčite merilno palico (G) in jo obrišite s čisto krpo (slika 2, slika 3).
 - Počasi nalivajte olje v odprtino za dolivanje olja (H). **Ne napolnite preveč.** Po dolitem olju počakajte eno minuto in nato preverite raven olja.
 - Vstavite in privijte merilno palico za olje.
 - Izvlčite merilno palico za olje in preverite raven olja. Olje mora segati do oznake FULL (J) na merilni palici.
 - Vstavite in privijte merilno palico za olje.

Servisiranje zračnega filtra - slika 11 12



OPOZORILO



Gorivo in njegovi hlapi so izjemno vnetljivi in eksplozivni. Ogenj ali eksplozija lahko povzročita težke opekline ali smrt.



- Motorja ne zaganjajte oziroma ga ne pustite teči, ko je odstranjen sestav zračnega filtra (če obstaja) ali zračni filter (če obstaja).

OPOMBA: Za čiščenje filtra ne uporabljajte stisnjenega zraka ali topil. Zrak pod tlakom lahko poškoduje filter, topila pa ga raztopijo.

Prikazani sta dve vrsti sistema zračnega filtra, **Standardna** in **Visoko zmogljiva**. Ugotovite, katera vrsta je nameščena v vašem motorju, in servisirajte na naslednji način.

Standardni zračni filter - slika 11

Pri standardnem zračnem filtru je uporabljen penasti vložek, ki ga je mogoče oprati in ponovno uporabiti.

- Odstranite vijak (A) z vrha sestava zračnega filtra (B). Oglejte si slika 11.
- Da delci ne bi prišli v uplinjač, previdno odstranite sestav zračnega filtra.
- Iz spodnjega dela ohišja zračnega filtra odstranite penasti vložek (C).
- Operite ga s tekočim detergentom in vodo. Stisnite do suhega v čisti krpi.
- Na penasti vložek nakapajte čisto motorno olje. Za odstranitev odvečnega motornega olja, penasti vložek stisnite v čisto krpo.
- Penasti vložek namestite v spodnji del ohišja zračnega filtra.
- Sestav zračnega filtra namestite na uplinjač in pričvrstite z vijakom.

Visokozmogljiv zračni filter - slika 12

V visokozmogljivem zračnem filtru se nahaja naguban filter.

- Odstranite vijak (A) z vrha sestava zračnega filtra (B). Oglejte si slika 12.
- Da delci ne bi prišli v uplinjač, previdno odstranite sestav zračnega filtra.
- Iz spodnjega dela ohišja zračnega filtra odstranite naguban filter (C).
- Umazanijo očistite tako, da z nagubanim filtrom rahlo potolčete ob trdo površino. Če je naguban filter prekomerno umazan, ga zamenjajte z novim.
- Namestite naguban filter.
- Sestav zračnega filtra namestite na uplinjač in pričvrstite z vijakom.

Čiščenje sistema za zračno hlajenje - slika 13



OPOZORILO



Delujoči motorji se segrevajo. Deli motorja, posebej izpuh, se močno segrejejo.

Ob dotiku lahko pride do težkih opeklin.



Vnetljivi odpadki, kot so listje, trava, dračje itd., se lahko vnamejo.

- Pustite, da se izpuh, valj motorja in hladilna rebra ohladijo, preden se jih dotaknete.
- Odstranite material, ki se je nabral na območju izpuha in valja.

OPOMBA: Za čiščenje motorja ne uporabljajte vode. Voda lahko onesnaži sistem za gorivo. Motor čistite s ščetko ali suho krpo.

Ta motor je zračno hlajen. Umazanija ali delci lahko ovirajo pretok zraka in povzročijo prekomerno segrevanje motorja, posledica česar je slabo delovanje in skrajšana življenjska doba motorja.

S ščetko ali suho krpo odstranite delce s ščitnika za prste (A). Regulator, vzmeti in krmilni elementi (B) naj bodo čisti. Na območju okrog izpuha (C) in za njim naj ne bo vnetljivih odpadkov (slika 13).

Shranjevanje



OPOZORILO



Gorivo in njegovi hlapi so izjemno vnetljivi in eksplozivni.

Ogenj ali eksplozija lahko povzročita težke opekline ali smrt.

Pri shranjevanju goriva ali stroja z gorivom v rezervoarju

- Hranite proč od odprtega ognja, peči, grelcev za vodo ali drugih naprav, ki imajo kontrolno lučko ali drugi vir vžiga, ker lahko vžgejo hlape goriva.

Sistem za gorivo

Gorivo se postara, ko je shranjeno več kot 30 dni. Staro gorivo povzroči nabiranje kislin in usedlin v sistemu za gorivo ali na pomembnih delih uplinjača. Za ohranitev svežega goriva uporabite **sredstvo za obdelavo goriva s stabilizatorjem goriva z izpopolnjeno formulo podjetja Briggs & Stratton**, ki je na voljo tam, kjer prodajajo originalne nadomestne dele Briggs & Stratton.

Pri motorjih, opremljenih s pokrovčkom rezervoarja za gorivo FRESH START®, uporabite stabilizator **Briggs & Stratton FRESH START®**, ki je na voljo v kapalnem vložku s koncentratom.

Bencina ni treba izpustiti iz motorja, če je stabilizator za gorivo dodan v skladu z navodili. Pred shranjevanjem naj motor deluje 2 minuti, da stabilizator steče skozi sistem za gorivo.

Če bencinu v motorju ni bil dodan stabilizator za gorivo, ga morate izpustiti v odobreno posodo. Motor pustite teči, dokler se ne zaustavi zaradi pomanjkanja goriva. Uporaba stabilizatorja za gorivo v posodi za shranjevanje je priporočljiva za ohranitev svežosti.

Motorno olje

Ko je motor še topel, zamenjajte motorno olje.

OPOMBA: Motor naj bo med hrambo v ravni legi (običajen položaj za delovanje). Če motor za hrambo nagnete, **mora biti rezervoar za gorivo prazen**, stran z vžigalno svečko pa **mora biti zgoraj**. Če rezervoar za gorivo ni prazen in bo motor nagnjen, ga bo morda težko zagnati, ker olje ali bencin onesnažita zračni filter in/ali vžigalno svečko.

Odpravljanje težav

Ali potrebujete pomoč? Pojdite na spletno stran **BRIGGSandSTRATTON.COM** ali pokličite **1-800-233-3723** (v ZDA).

Specifikacije

Specifikacije motorja

Model	90000
Gibna prostornina	148 cm ³
Vrtina valja	65,08 mm
Hod bata	44,45 mm
Kapaciteta posode za olje	0,54 - 0,59 l

Specifikacije motorja

Model	100000
Gibna prostornina	158 cm ³
Vrtina valja	65,08 mm
Hod bata	47,65 mm
Kapaciteta posode za olje	0,54 - 0,59 l

Nastavitvene specifikacije*

Model	90000, 100000
Razmak med elektrodama vžigalne svečke	0,76 mm
Zatezni moment za vžigalno svečko	20 Nm
Zračna rega ohišja	0,15 - 0,25 mm
Reža sesalnega ventila	0,13 - 0,18 mm
Reža izpušnega ventila	0,18 - 0,23 mm

* Moč motorja se zmanjša za 3,5 % na vsakih 300 metrov dodatne nadmorske višine in 1 % na vsakih 10° F (5,6° C) nad 77° F (25° C). Motor bo deloval zadovoljivo pod kotom do 15°. Za varno dovoljeno delovno območje na nagibih si oglejte priročnik za uporabo naprave.

Običajni nadomestni deli ✓

Nadomestni del	Številka dela
Standardni zračni filter	698369
Visokozmogljiv zračni filter	797819
Olje – SAE 30	100005
Dodatek za gorivo	5041, 5058
Uporovna vžigalna svečka	796112
Platinasta vžigalna svečka z dolgo življenjsko dobo	5062
Ključ za pritrditev vžigalne svečke	89838, 5023
Naprava za preizkušanje iskre	19368

✓ Priporočamo, da se obrnete na pooblaščen servis Briggs & Stratton za vsa vzdrževalna dela in servisiranje motorja in njegovih delov.

OMEJENA GARANCIJA

Briggs & Stratton jamči, da bo v spodaj navedenem garancijskem obdobju brezplačno popravila ali nadomestila vsak del z napakami v materialu ali izdelavi ali obojim. Stroške za transport izdelkov, ki so bili posredovani v popravilo ali zamenjavo pod to garancijo, mora nositi kupec. Ta garancija velja za časovno obdobje in pod pogoji, ki so navedeni v nadaljevanju. Za popravilo v garancijskem roku poiščite najbližjo pooblaščenno servisno delavnico na zemljevidu naših licenčnih partnerjev na spletnem mestu BRIGGSandSTRATTON.COM. Kupec se mora obrniti na pooblaščenno servisno delavnico in jim nato omogočiti pregled in preverjanje izdelka.

Ne obstaja nobena druga izrecna garancija. Nakazane garancije, vključno z garancijami tržnosti in uporabnosti za določen namen, so omejene na čas enega leta od nakupa, oziroma do roka, ki je zakonsko določen. Vse druge nakazane garancije so izključene. Odgovornost za naključno ali posledično škodo je izključena do mere, ki jo dovoljuje zakon. Nekaterе države ne dovoljujejo omejitve trajanja nakazane garancije, druge pa ne dovoljujejo omejitve ali izključitve naključnih in posledičnih poškodb, zato ni nujno, da se zgoraj omenjene omejitve in izključitve nanašajo na vas. Ta garancija vam zagotavlja posebne zakonske pravice, lahko pa imate še druge pravice, ki se razlikujejo od države do države**.

STANDARDNI GARANCIJSKI POGOJI * ▲

Znamka/Tip izdelka	Domača uporaba	Komercialna uporaba
Vanguard™ ■	3 leta	3 leta
Commercial Turf Series™	2 leti	2 leti
Extended Life Series™; I/C®; Intek™ I/C®; Intek™ Pro;™ Professional Series™ z litoželezno pušo Dura-Bore™; 850 Series™ z litoželezno pušo Dura-Bore™; Snow Series MAX™ z litoželezno pušo Dura-Bore™ Vsi ostali Briggs & Strattonovi motorji z litoželezno pušo Dura-Bore™	2 leti	1 leto
Vsi ostali Briggs & Strattonovi motorji	2 leti	90 dni

* To so naši standardni garancijski pogoji, a občasno lahko objavimo dodatno garancijsko kritje, ki ni bilo določeno v času objave. Za seznam trenutnih garancijskih pogojev za vaš motor pojdite na BRIGGSandSTRATTON.COM ali se obrnite na Briggs & Strattonovo pooblaščenno servisno delavnico.

** V Avstraliji – Naši izdelki imajo garancijo, ki je ni mogoče izključiti pod avstralskim pravom varstva potrošnikov. Upravičeni ste do zamenjave ali povračila za večjo okvaro in nadomestilo za katerokoli drugo razumno predvidljivo izgubo ali poškodbo. Upravičeni ste tudi do popravila ali zamenjave blaga, če to ni sprejemljive kakovosti in okvara ne velja za večjo okvaro. Za popravilo v garancijskem roku poiščite najbližjo pooblaščenno servisno delavnico na zemljevidu naših licenčnih partnerjev na BRIGGSandSTRATTON.COM oziroma pokličite 1300 274 447 ali pošljite e-pošto ali dopis na salesenquiries@briggsandstratton.com.au, Briggs & Stratton Australia Pty Ltd, 1 Moorebank Avenue, Moorebank, NSW, Australia, 2170.

▲ Uporaba v različnih modelih domačih generatorjev v pripravljenosti: le dvoletna garancija za uporabnika. Brez komercialne garancije. Ta garancija ne velja za motorje v opremi, uporabljeni kot glavni vir energije in ne nadomestni vir. **Za motorje, uporabljene v tekmovalnem dirkanju ali na komercialnih ali najemnih stezah, garancija ne velja.**

■ Motor Vanguard, nameščen na generatorju v pripravljenosti: dvoletna garancija na uporabo s strani uporabnika, brez garancije na uporabo v komercialne namene. Motor Vanguard, nameščen v terenska vozila: dvoletna garancija na uporabo s strani uporabnika, dvoletna garancija na uporabo v komercialne namene. Trivaljni vodno hlajen motor Vanguard: oglejte si garancijski list za Briggs & Strattonov 3/LC motor.

Garancijska doba se začne, ko stroj kupi prvi kupec v prodaji na drobno ali končni komercialni uporabnik, in traja ves čas, naveden v zgornji tabeli. "Domača uporaba" pomeni osebno uporabo v gospodinjstvu s strani kupca, ki je napravo kupil v prodaji na drobno. "Komercialna uporaba" pomeni vse druge primere uporabe, vključno z uporabo za komercialne namene, pridobivanje prihodka ali najem. Če je motor enkrat uporabljen v komercialne namene, po tej garanciji spada v kategorijo motorjev za komercialno uporabo.

Za pridobitev garancije za izdelke Briggs & Stratton ni potrebna registracija garancije. Shranite potrdilo o nakupu. Če tedaj, ko potrebujete garancijsko storitev, ne predložite dokazila o datumu prvotnega nakupa, se bo za določanje garancijske dobe uporabil datum proizvodnje izdelka.

Podatki o garanciji

Družba Briggs & Stratton bo z veseljem opravila popravilo v garancijskem roku in se vam opravičuje za neprijetnosti. Popravila v garancijskem roku lahko izvajajo vsi pooblaščenni servisi. Večino popravil v garancijskem roku se izvede rutinsko, včasih pa so zahtevki za servisiranje v garanciji neupravičeni. Da bi se izognili nesporazumom, do katerih bi lahko prišlo med kupcem in prodajalcem, v nadaljevanju navajamo nekatere vzroke za odpoved motorja, ki jih garancija ne vključuje.

Normalna obraba: Motorji, tako kot vse mehanske naprave, za dobro delovanje potrebujejo občasno servisiranje in zamenjavo delov. Garancija ne bo krila popravila, če je ob normalni rabi potekla življenjska doba nekega dela ali motorja. Garancija ne velja, če je do poškodb motorja prišlo zaradi napačne uporabe, pomanjkljivega rednega vzdrževanja, transporta, ravnanja z motorjem, skladiščenja ali neustrezne montaže. Garancija prav tako ne velja, če je bila odstranjena serijska številka motorja ali če je bil motor predelan ali spremenjen.

Neustrezno vzdrževanje: Življenjska doba motorja je odvisna od pogojev, v katerih motor deluje, in od nege. Nekaterе stroje, kot so kultivatorji, črpalke in rotacijske kosilnice, pogosto uporabljamo v prašnih ali umazanih razmerah, kar lahko povzroči poškodbo, ki je videti kot prezgodnja obraba motorja. Takšna obraba, ki jo povzročijo umazanija, prah, ostanke saj z vžigalne svečke ali drugi abrazivni delci, ki so vdrti v motor zaradi neustreznega vzdrževanja, ni vključena v garancijo.

Omenjena garancija krije samo napake v materialu in/ali okvare zaradi izdelave na motorju, ne pa nadomestila ali povrnitve opreme, h kateri je motor lahko priključen. Garancija poleg tega ne krije popravil, potrebnih zaradi:

- 1 Težav, do katerih je prišlo zaradi uporabe delov, ki niso Briggs & Strattonovi originalni deli.
- 2 Upravljalnih vzvodov na stroju ali napeljav, ki preprečujejo zagon, povzročajo nezadovoljivo delovanje motorja ali skrajšujejo življenjsko dobo motorja. (Obrnite se na izdelovalca stroja.)
- 3 Uplinjačev, ki puščajo, zamašenih cevi za dovod goriva in zlepljenih ventilov ali drugih poškodb, ki jih je povzročila uporaba onesnaženega ali starega goriva.

- 4 Delov, ki so opraskani ali polomljeni zato, ker je motor deloval s premalo ali z onesnaženim mazivnim oljem ali z oljem neustrezne viskoznosti. (Preverite nivo olja in po potrebi dolijte ter zamenjajte olje v priporočenih intervalih). Funkcija OIL GARD ne sme izklopiti motorja v teku. Pri nepravilnem vzdrževanju ravni olja lahko pride do okvare motorja.
- 5 Popravil ali prilagoditev delov ali sklopov, kot so sklopke, prenosi, daljinsko upravljanje itd., ki jih ne izdeluje družba Briggs & Stratton.
- 6 Poškodb ali obrabe delov zaradi umazanije, ki je vstopila v motor zaradi nepravilnega vzdrževanja zračnega filtra, montaže ali uporabe neoriginalnih sestavnih delov zračnega filtra. V priporočenih intervalih očistite in/ali zamenjajte filter, kot je navedeno v Priročniku za uporabo.
- 7 Delov, ki so bili poškodovani zaradi prevelikih vrtljajev ali pregretja zaradi trave ali umazanije, ki je začepila ali zamašila hladilna rebra ali predel vztrajnika, ali poškodb, do katere je prišlo zaradi uporabe motorja v zaprtem prostoru, kjer ni ustreznega prezračevanja. V priporočenih intervalih očistite umazanijo z motorja, kot je navedeno v Priročniku za uporabo.
- 8 Delov motorja ali stroja, ki so se zlomili zaradi prevelikih vibracij, ki jih je povzročila preohlapna pričvrstitev motorja ali rezil, neuravnoveženih rezil ali ohlapno nameščenih ali neuravnoveženih rotorjev, neprimerne pritrditve opreme na motorno gred, previsokih vrtljajev ali druge napake pri uporabi stroja.
- 9 Gredi, ki se je zvila ali zlomila zaradi udarca trdega predmeta po rezilu rotacijske kosilnice ali premočno napetega klinastega jermena.
- 10 Rutinskih nastavitvev ali prilagoditev motorja.
- 11 Odpovedi motorja ali dela motorja, npr. zgorevalne komore, ventilov, sedežev ventilov, vodil ventilov ali pregorelega navijača zaganjalnika, zaradi uporabe alternativnih goriv, kot so petrolej, zemeljski plin, bencin z več kot 10 odstotki etanola itd.

Popravila v garancijskem roku so mogoča le v pooblaščenih servisnih delavnicah Briggs & Stratton. Poiščite najbližjo pooblaščenno servisno delavnico na zemljevidu naših licenčnih partnerjev na BRIGGSandSTRATTON.COM oziroma pokličite 1-800-233-3723 (v ZDA).

Not for
Reproduction



THE POWER WITHIN™

Not for
Reproduction

Free Manuals Download Website

<http://myh66.com>

<http://usermanuals.us>

<http://www.somanuals.com>

<http://www.4manuals.cc>

<http://www.manual-lib.com>

<http://www.404manual.com>

<http://www.luxmanual.com>

<http://aubethermostatmanual.com>

Golf course search by state

<http://golfingnear.com>

Email search by domain

<http://emailbydomain.com>

Auto manuals search

<http://auto.somanuals.com>

TV manuals search

<http://tv.somanuals.com>