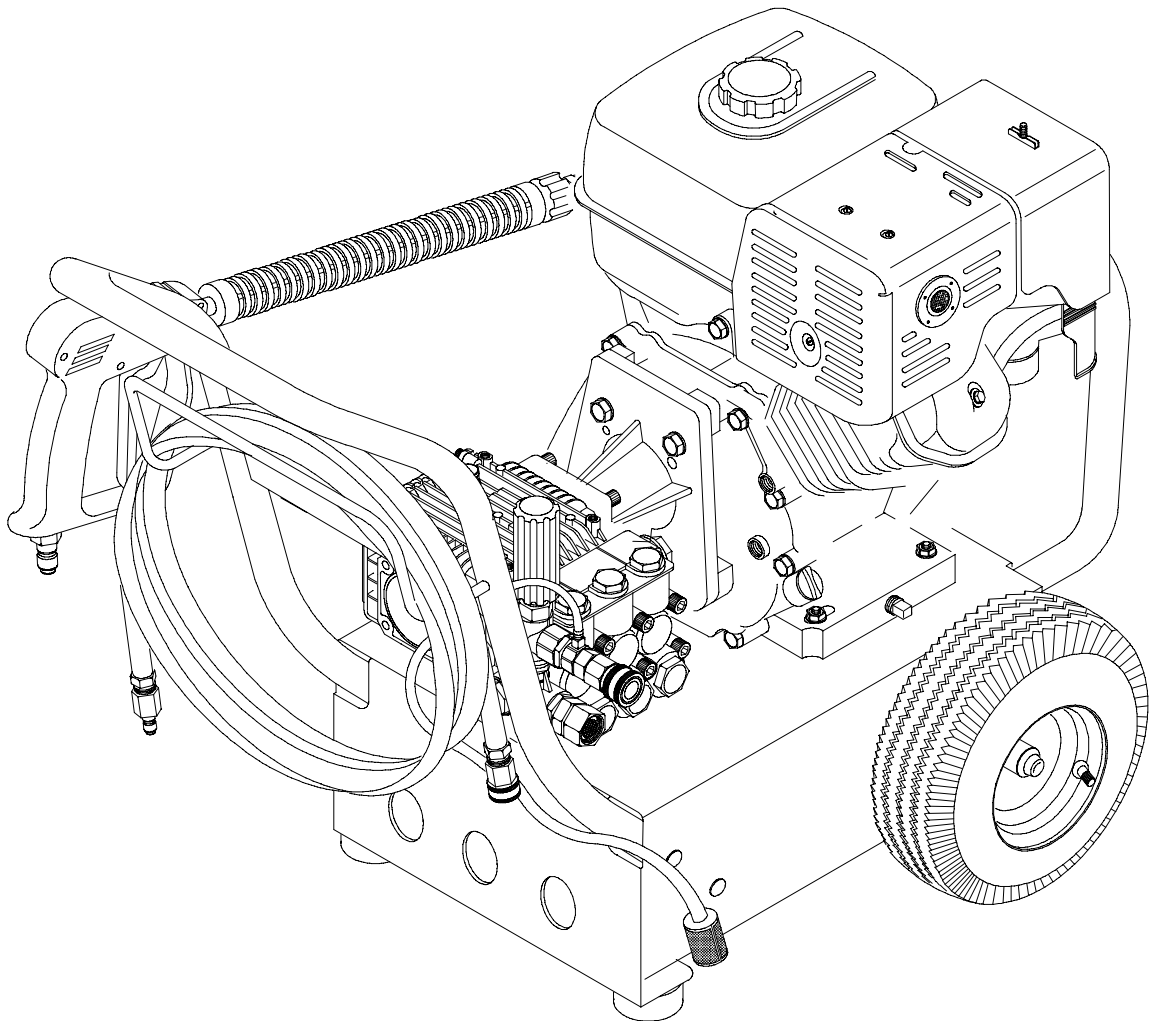




3000PSI

Pressure Washer Owner's Manual



Generac Portable Products is a licensed trademark of Briggs & Stratton Power Products.

Questions? Help is just a moment away!

Call: **Generac Pressure Washer Helpline - 1-800-270-1408** M-F 8-5 CT

Web: www.generac-portables.com

Model No. 1418-2 (3,000 PSI Pressure Washer) Manual No. 191658GS Revision I (03/05/2003)





TABLE OF CONTENTS

Safety Rules 2-4
 Know Your Pressure Washer 5
 Assembly 6-8
 Operation 9-11
 Product Specifications 12
 Maintenance 12-14
 Storage 15
 Notes 16
 Troubleshooting 17
 Replacement Parts 18-23
 Warranty Last Page

EQUIPMENT DESCRIPTION



Read this manual carefully and become familiar with your pressure washer. Know its applications, its limitations and any hazards involved.

Every effort has been made to ensure that information in this manual is accurate and current. However, we reserve the right to change, alter or otherwise improve the product and this document at any time without prior notice.

In the State of California a spark arrester is required by law (Section 4442 of the California Public Resources Code). Other states may have similar laws. Federal laws apply on federal lands. If you equip the muffler with a spark arrester, it must be maintained in effective working order.

SAFETY RULES



This is the safety alert symbol. It is used to alert you to potential personal injury hazards. Obey all safety messages that follow this symbol to avoid possible injury or death.

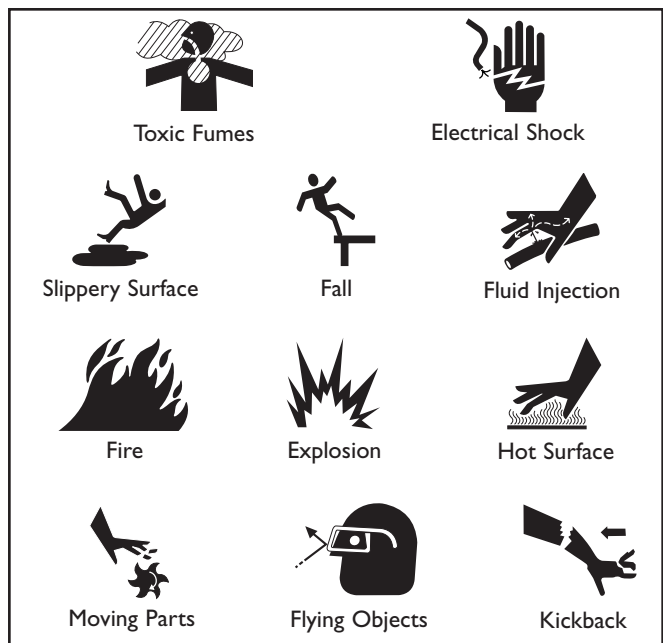
The safety alert symbol (▲) is used with a signal word (DANGER, CAUTION, WARNING), a pictorial and/or a safety message to alert you to hazards. **DANGER** indicates a hazard which, if not avoided, *will* result in death or serious injury. **WARNING** indicates a hazard which, if not avoided, *could* result in death or serious injury. **CAUTION** indicates a hazard which, if not avoided, *might* result in minor or moderate injury. **CAUTION**, when used **without** the alert symbol, indicates a situation that could result in equipment damage. Follow safety messages to avoid or reduce the risk of injury or death.

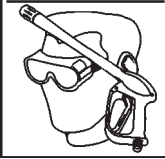


WARNING

The engine exhaust from this product contains chemicals known to the State of California to cause cancer, birth defects, or other reproductive harm.

Hazard Symbols and Meanings



SAFETY RULES
DANGER


Running engine gives off carbon monoxide, an odorless, colorless, poison gas.

Some chemicals or detergents may be harmful if inhaled or ingested, causing severe nausea, fainting or poisoning.

Breathing carbon monoxide will cause nausea, fainting or death.

- Operate pressure washer **ONLY** outdoors.
- Use a respirator or mask whenever there is a chance that vapors may be inhaled.
- Read all instructions with mask so you are certain the mask will provide the necessary protection against inhaling harmful vapors.

WARNING


Spray contact with electrical wiring can result in electrocution.

- Keep water spray away from electric wiring or fatal electric shock may result.

WARNING


Use of pressure washer can create puddles and slippery surfaces.



High pressure spray could cause you to fall if you are too close to the cleaning surface.

- Keep spray nozzle between 8 to 24 inches away from cleaning surface.
- Operate this unit on a stable surface.
- The cleaning area should have adequate slopes and drainage to reduce the possibility of a fall due to slippery surfaces.
- Be extremely careful if you must use the pressure washer from a ladder, scaffolding or any other relatively unstable location.
- Firmly grasp spray gun with both hands when using high pressure spray to avoid injury if gun kicks back.

WARNING


Fuel and its vapors are extremely flammable and explosive.



Fire or explosion can cause severe burns or death.

WHEN ADDING FUEL

- Turn pressure washer **OFF** and let it cool at least 2 minutes before removing gas cap.
- Fill fuel tank outdoors.
- **DO NOT** overfill tank. Allow space for fuel expansion.
- Keep fuel away from sparks, open flames, pilot lights, heat, and other ignition sources.
- **DO NOT** light a cigarette or smoke.

WHEN OPERATING EQUIPMENT

- **DO NOT** tip engine or equipment at angle which causes fuel to spill.
- **DO NOT** spray flammable liquids.

WHEN TRANSPORTING OR REPAIRING EQUIPMENT

- Transport/repair with fuel tank **EMPTY** or with fuel shutoff valve **OFF**.

WHEN STORING FUEL OR EQUIPMENT WITH FUEL IN TANK

- Store away from furnaces, stoves, water heaters, clothes dryers or other appliances that have pilot light or other ignition source because they can ignite fuel vapors.


WARNING



The high pressure stream of water that this equipment produces can pierce skin and its underlying tissues, leading to serious injury and possible amputation.

- **NEVER** aim spray gun at people, animals or plants.
- **DO NOT** allow **CHILDREN** to operate pressure washer.
- **NEVER** repair high pressure hose. Replace it.
- Keep high pressure hose connected to pump and spray gun while system is pressurized.




WARNING

 Running engines produce heat and hot exhaust gases. Temperature of muffler and nearby areas can reach or exceed 150°F (65°C).

 Fire or severe burns can occur.


- DO NOT touch hot surfaces.
- Stay clear of exhaust gases.
- Allow equipment to cool before touching.

WARNING

 Starter and other rotating parts can entangle hands, hair, clothing, or accessories.


- DO NOT wear loose clothing, jewelry or anything that may be caught in the starter or other rotating parts.
- Tie up long hair and remove jewelry.


WARNING

 High pressure spray can cause paint chips or other particles to become airborne.

- Always wear eye protection when using this equipment or in vicinity of where equipment is in use.

WARNING

 Unintentional sparking can result in fire or electric shock.



WHEN ADJUSTING OR MAKING REPAIRS TO YOUR PRESSURE WASHER

- Disconnect spark plug wire from spark plug and place wire where it cannot contact spark plug.

CAUTION

Excessively high or low operating speeds increase risk of injury and damage to pressure washer.

- DO NOT tamper with governed speed.
- DO NOT operate pressure washer above rated pressure.

CAUTION

A pressure washer produces a high pressure spray which increases risk of injury and damage to unit.

- DO NOT secure spray gun in open position.
- DO NOT leave spray gun unattended while machine is running.
- NEVER use a spray gun which does not have a trigger lock or trigger guard in place and in working order.
- Always be certain spray gun, nozzles and accessories are correctly attached.

CAUTION

High pressure spray may damage fragile items including glass.

- DO NOT point spray gun at glass when in jet spray mode.
- NEVER aim spray gun at plants.

CAUTION

Improper treatment of pressure washer can damage it and shorten its life.

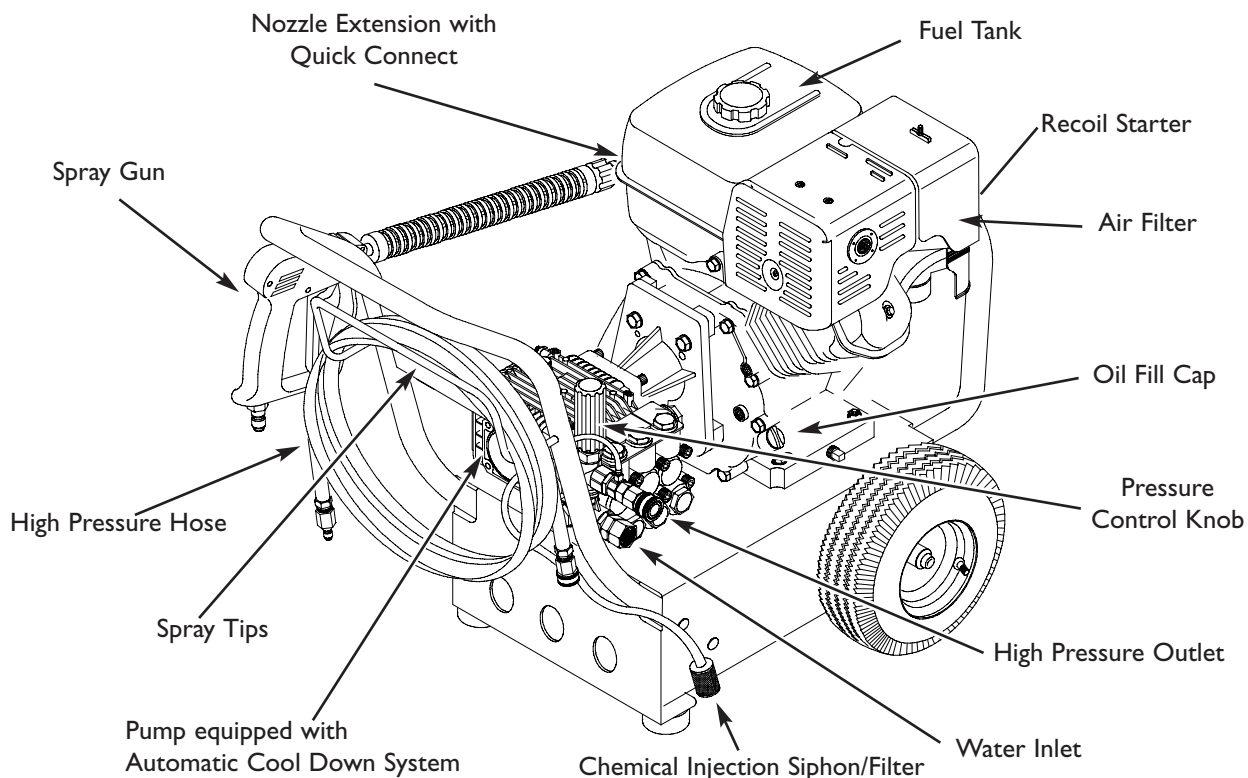
- If you have questions about intended use, ask dealer or contact Briggs & Stratton Power Products.
- NEVER operate units with broken or missing parts, or without protective housing or covers.
- DO NOT by-pass any safety device on this machine.
- Before starting pressure washer in cold weather, check all parts of the equipment to be sure ice has not formed there.
- NEVER move machine by pulling on high pressure hose. Use handle provided on unit.
- Check fuel system for leaks or signs of deterioration, such as chafed or spongy hose, loose or missing clamps, or damaged tank or cap. Correct all defects before operating pressure washer.
- This equipment is designed to be used with Briggs & Stratton Power Products authorized parts **ONLY**. If equipment is used with parts that DO NOT comply with minimum specifications, user assumes all risks and liabilities.



KNOW YOUR PRESSURE WASHER

Read this owner's manual and safety rules before operating your pressure washer.

Compare the illustrations with your pressure washer to familiarize yourself with the locations of various controls and adjustments. Save this manual for future reference.



Air Filter — Protects engine by filtering dust and debris out of intake air.

Automatic Cool Down System — Cycles water through pump when water reaches 125°-155°F. Warm water will discharge from pump onto ground. This system prevents internal pump damage.

Chemical Injection Siphon/Filter — Use to siphon detergent or other pressure washer chemicals into the low pressure stream.

Fuel Tank — Fill tank with regular unleaded gasoline. Always leave room for fuel expansion.

High Pressure Hose — Connect one end to the water pump and the other end to the spray gun.

High Pressure Outlet — To connect high pressure hose.

Nozzle Extension with Quick Connect — Allows you to switch between five different spray tips.

Oil Fill Cap — Fill engine with oil here.

Pressure Control Knob — Varies the pressure of the high pressure spray.

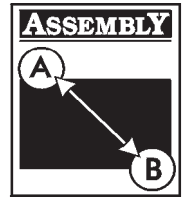
Pump — Develops high pressure.

Recoil Starter — Use for starting the engine manually.

Spray Gun — Controls the application of water onto cleaning surface with trigger device. Includes safety latch.

Spray Tips — Chemical injection, 0°, 15°, and 40°: for various cleaning applications.

Water Inlet — Connect garden hose here.



ASSEMBLY

IMPORTANT: Read entire owner's manual before you attempt to assemble or operate your new pressure washer.

Remove Pressure Washer From Carton

- Remove the high pressure hose and parts box included with pressure washer.
- Slice two corners at the end of carton from top to bottom so the panel can be folded down flat, then remove all packing material.
- Roll pressure washer out of carton.

Carton Contents

Items in the carton include:

- Main Unit
- High Pressure Hose
- Handle
- Pump Oil Dipstick (hanging on pump)
- Accessory Box (includes the following):
 - (2) Bottles of engine oil
 - Owner's registration card
 - Safety Goggles
 - Bag containing 5 multi-colored quick connect spray tips
 - Maintenance kit
 - Owner's manual
 - Engine manual
 - Engine warranty card
 - Emissions control warranty card
 - Spark arrester screen
 - Spray Gun with quick connect fitting
 - Nozzle extension with quick connect fitting
 - Handle hardware, including 4 carriage bolts and 4 flange nuts

If any of the above parts are missing or damaged, call the pressure washer helpline at **1-800-270-1408**.

PREPARING PRESSURE WASHER FOR USE

If you have any problems with the assembly of your pressure washer or if parts are missing or damaged, call the pressure washer helpline at **1-800-270-1408**.

To prepare your pressure washer for operation, you will need to perform these tasks:

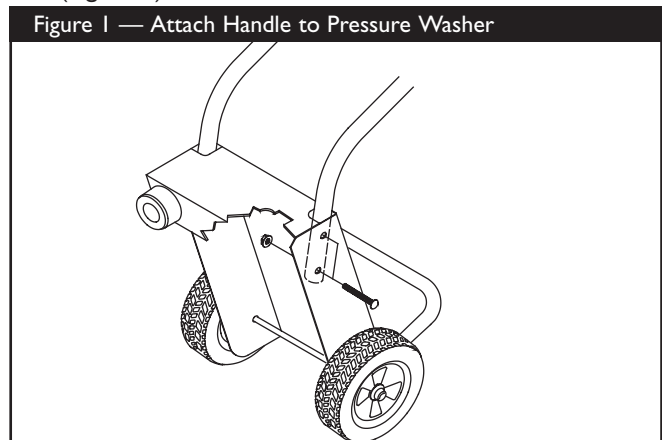
1. Fill out and send in registration card.
2. Attach handle to main unit.
3. Install oil dipstick onto pump.
4. Add oil to engine.
5. Add fuel to fuel tank.
6. Connect high pressure hose to spray gun and pump.
7. Connect water supply to pump.
8. Connect nozzle extension to spray gun.
9. Select and install desired nozzle.

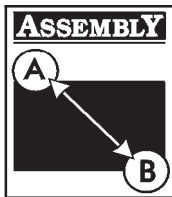
Attach Handle to the Pressure Washer

Use either a 13mm wrench or adjustable wrench to attach the handle to the pressure washer.

To attach handle to the pressure washer:

1. Slowly tip pressure washer forward and gently rest it on front bumper.
2. Align holes on handle with holes on base.
3. Insert carriage bolts provided to hold handle in place (Figure 1).





- Secure handle to pressure washer using four provided flange nuts.
- Slowly tip pressure washer back in place and insert multi-colored spray tips in spaces provided in handle.

Install Oil Dipstick on Pump

To install oil dipstick:

- Make sure unit is on a level surface.

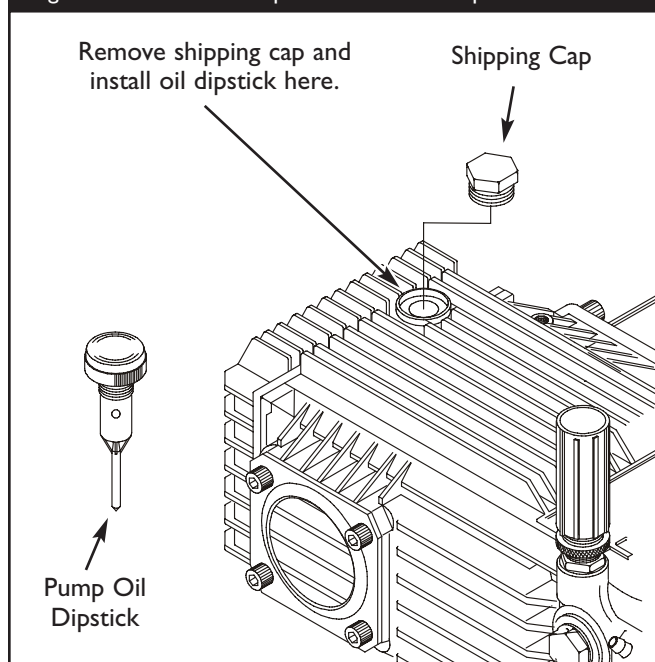
CAUTION

You **MUST** remove the pump's shipping cap and install the oil dipstick.

- Failure to do so will void the warranty and damage the pump.

- Remove and discard shipping cap located on pump (Figure 2).

Figure 2 — Install Oil Dipstick onto the Pump



- Install oil dipstick.

Add Engine Oil and Fuel

- Place pressure washer on a level surface.
- Refer to engine owner's manual and follow oil and fuel recommendations and instructions.

CAUTION

Any attempt to crank or start the engine before it has been properly filled with the recommended oil will result in equipment failure.

- Refer to engine manual for oil and fuel fill information.
- Damage to equipment resulting from failure to follow this instruction will void warranty.

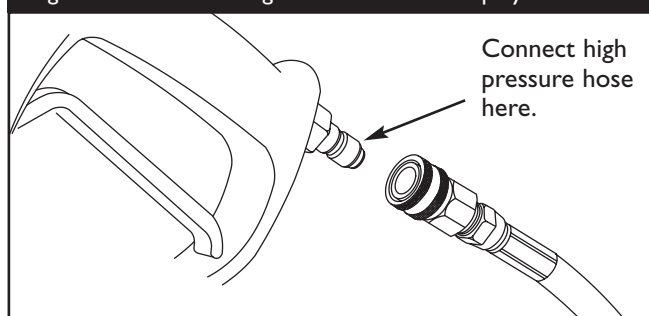
NOTE: Check oil often during engine break-in. Refer to engine owner's manual for recommendations.

Connect Hose and Water Supply to Pump

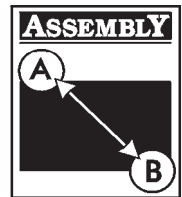
IMPORTANT: To avoid pump damage, you must assemble the nozzle extension to the spray gun and attach all hoses before you start the engine.

- Uncoil high pressure hose and attach quick connect end of hose to base of spray gun (Figure 3). Pull down on collar of quick connect, slide onto spray gun and let go of collar. Tug on hose to be sure of a tight connection.

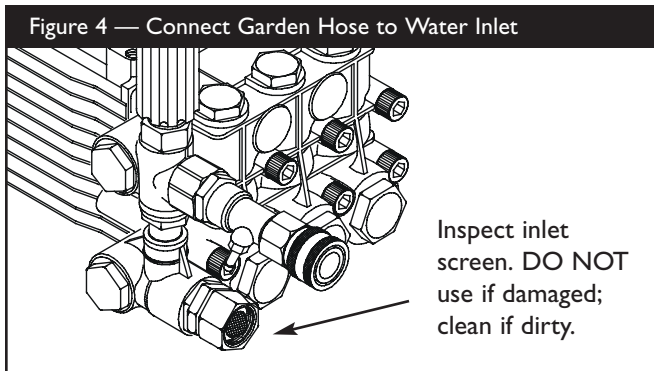
Figure 3 — Connect High Pressure Hose to Spray Gun



NOTE: Remove and discard all pump shipping caps before attaching hoses.



2. Similarly, attach other end of high pressure hose to the high pressure outlet on pump. Pull down on collar of quick connect, slide onto pump and let go of collar. Pull on hose to be sure of a tight connection.
3. Before connecting garden hose to water inlet, inspect inlet screen (Figure 4). Clean screen if it contains debris or replace if damaged. Refer to the section "O-Ring Maintenance" if inlet screen is damaged. DO NOT run pressure washer if inlet screen is damaged.



4. Run water through garden hose for 30 seconds to clean out any debris. Turn off water.
- IMPORTANT:** DO NOT siphon standing water for the water supply. Use ONLY cold water (less than 100°F).
5. Connect garden hose (not to exceed 50 feet in length) to water inlet. Tighten by hand (Figure 4).

CAUTION

There **MUST** be at least ten feet of unrestricted garden hose between the pressure washer inlet and any flow shut off device, such as a 'Y' shut-off connector or other convenience-type water shut-off valve.

- Damage to equipment resulting from failure to follow this instruction will void warranty.

6. Turn ON water and squeeze trigger on spray gun to purge pump system of air and debris.

WARNING

High pressure spray can cause paint chips or other particles to become airborne.

- Always wear eye protection when using this equipment or in vicinity of where equipment is in use.
- Before starting the pressure washer, be sure you are wearing adequate eye protection.

Checklist Before Starting Engine

Review the unit's assembly to confirm you have performed all of the following:

1. Make sure handle is secure.
2. Make sure oil dipstick is installed onto pump.
3. Check for properly tightened hose connections.
4. Check to make sure there are no kinks, cuts, or damage to high pressure hose.
5. Check that oil has been added to proper level in engine crankcase.
6. Add proper gasoline to fuel tank.
7. Provide a proper water supply (not to exceed 100°F).
8. Be sure to read "Safety Rules" and "How To Use Your Pressure Washer" before using pressure washer.



HOW TO USE YOUR PRESSURE WASHER

If you have any problems operating your pressure washer, please call the pressure washer helpline at **1-800-270-1408**.

How to Start Engine

The best way to start your pressure washer for the first time is to follow these instructions step-by-step. This starting information also applies if you have let the pressure washer sit idle for at least a day.

1. Place pressure washer near an outside water source capable of supplying water at a flow rate greater than 4.0 gallons per minute and no less than 20 PSI at pressure washer end of garden hose.
2. Check that high pressure hose is tightly connected to spray gun and pump. See “Preparing Pressure Washer for Use” for illustrations.
3. Make sure unit is in level position.
4. Connect garden hose to water inlet on pressure washer pump. **Turn ON water.**

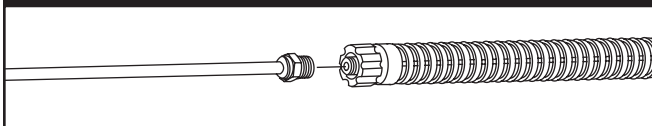
CAUTION

DO NOT run the pump without the water supply connected and turned on.

- Damage to equipment resulting from failure to follow this instruction will void warranty.

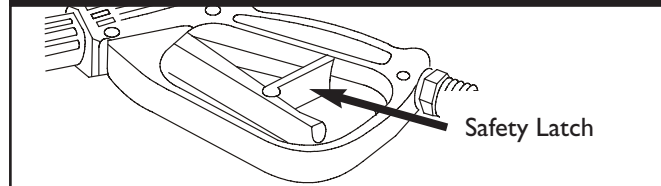
5. Squeeze spray gun trigger until a steady stream of water occurs.
6. Attach nozzle extension to spray gun (Figure 5). Tighten by hand.

Figure 5 — Connect Nozzle Extension to Spray Gun



7. Select desired quick connect spray tip and insert it into end of nozzle extension (see “How To Use Spray Tips”).
8. Engage safety latch to spray gun trigger (Figure 6).

Figure 6 — Spray Gun with Safety Latch Engaged



9. Start engine according to instructions given in engine owner's manual.



CAUTION

Avoid injury from kickback.

- Squeeze trigger on spray gun each time recoil starter is pulled and engine fails to start.

NOTE: Always keep the throttle lever in the “Fast” position when operating the pressure washer.

How to Stop Pressure Washer

1. Let engine idle for two minutes.
2. Turn engine off according to instructions given in engine owner's manual.
3. **Squeeze trigger on spray gun to relieve pressure in hose.**

NOTE: A small amount of water will squirt out when pressure is released.



How to Use Spray Tips

The nozzle extension quick-connect allows the use of several different spray tips. Each spray tip provides a different spray pattern (Figure 7).

Follow these instructions to change spray tips:

1. Engage safety latch on spray gun.

CAUTION

A pressure washer produces a high pressure spray which increases risk of injury and damage to unit.

- NEVER exchange spray tips without locking the safety latch on the trigger.

2. Pull back collar on quick-connect and pull current spray tip off.
3. Select desired spray tip:
 - For gentle rinse, select white 40° or green 25° spray tip.
 - To scour surface, select yellow 15° or red 0° spray tip.
 - To apply chemical, select black spray tip.
4. Pull back on collar, insert new spray tip and release collar. Tug on spray tip to make sure it is securely in place.
5. For most effective cleaning, keep spray tip from 8 to 24 inches away from cleaning surface. DO NOT get closer than 6 inches when cleaning automobile tires.

Cleaning and Applying Chemical

IMPORTANT: Use soaps designed specifically for pressure washers. Household detergents could damage the pump.

CAUTION

You must attach all hoses before you start the engine.

- Starting the engine without all the hoses connected and without the water turned ON will damage the pump.
- Damage to equipment resulting from failure to follow this instruction will void warranty.

To apply detergent follow these steps:

1. Review spray tip use.
2. Prepare detergent solution as required by manufacturer.
3. Place chemical injection siphon/filter into detergent container.

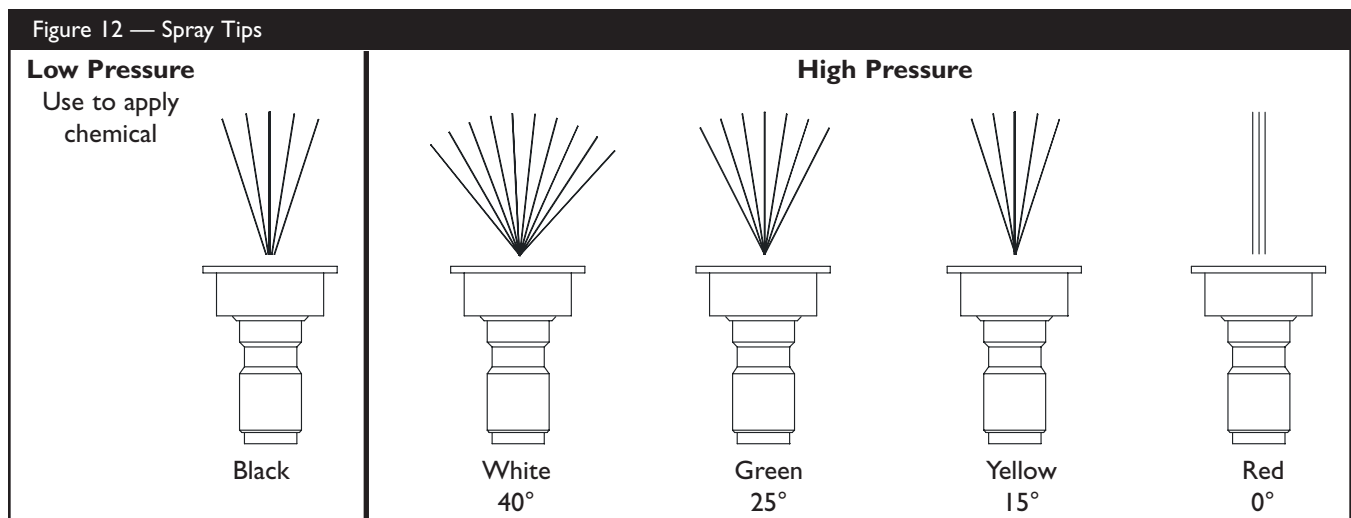
CAUTION

Keep the chemical injection tube from coming in contact with the hot muffler.

- When inserting the filter into a detergent solution bottle, route the tube so as to keep it from inadvertently contacting the hot muffler.

4. Make sure black spray tip is installed.

NOTE: Detergent cannot be applied with high pressure spray tips (White, Green, Yellow, or Red).





5. Make sure garden hose is connected to water inlet. Check that high pressure hose is connected to spray gun and pump; start engine.
6. Apply detergent to a dry surface, starting at lower portion of area to be washed and work upward, using long, even, overlapping strokes. **DO NOT** allow detergent to dry on (prevents streaking).
7. Allow detergent to soak in between 3–5 minutes before washing and rinsing. Reapply as needed to prevent surface from drying.

Pressure Washer Rinsing

After you have applied detergent, scour the surface and rinse it clean as follows:

1. Apply safety latch to spray gun.
2. Remove black chemical spray tip from nozzle extension.
3. Select and install desired high pressure spray tip following the instructions in “How to Use Spray Tips”.



WARNING

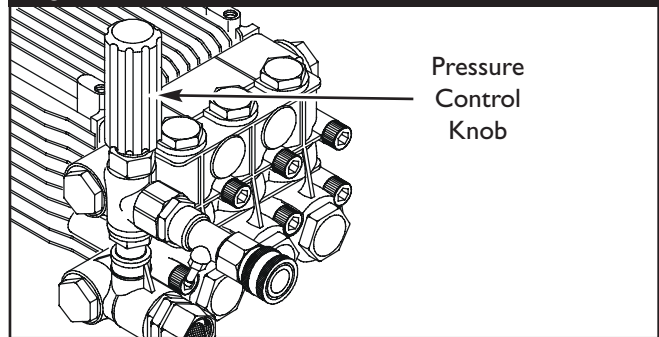


High pressure spray could cause you to fall if you are too close to the cleaning surface.

- Keep spray nozzle between 8 to 24 inches away from cleaning surface.
- Operate this unit on a stable surface.
- Be extremely careful if you must use the pressure washer from a ladder, scaffolding or any other relatively unstable location.
- Firmly grasp spray gun with both hands when using high pressure spray to avoid injury if gun kicks back.

4. Increase or decrease spray pressure by turning pressure control knob counterclockwise or clockwise respectively (Figure 8). Use lower pressure to wash items such as a car or boat. Use higher pressure to strip paint and degrease driveways.

Figure 13 — Pressure Control Knob.



5. Apply high pressure spray to small area and then check surface for damage. If no damage is found, you can assume it is okay to continue cleaning.
6. Start at top of area to be rinsed, working down with same overlapping strokes as used for cleaning.

Automatic Cool Down System (Thermal Relief)

If you run the engine on your pressure washer for 3-5 minutes without pressing the trigger on the spray gun, circulating water in the pump can reach temperatures above 125°F. The system engages to cool the pump by **discharging the warm water onto the ground.**



SPECIFICATIONS

- Rated Pressure** 3,000 PSI
- Flow Rate** 3.0 gallons per minute (gpm)
- Detergent** Use detergent approved for pressure washers
- Water Supply**
- Temperature** Not to Exceed 100°F
- Automatic Cool** Will cycle when water
- Down System** reaches 125°-155°F
- Shipping Weight** 145 lbs.

GENERAL MAINTENANCE RECOMMENDATIONS

The pressure washer warranty does not cover items that have been subjected to operator abuse or negligence. To receive full value from the warranty, the operator must maintain the high pressure washer as instructed in this manual.

- Some adjustments will need to be made periodically to properly maintain your high pressure washer.
- All maintenance in this manual and the engine owner's manual should be made at least once each season.
- If equipped with inflatable tires, keep the air pressure at the value marked on the tire or within 15 and 40 psi.

Before Each Use

1. Check engine oil level.
2. Check water inlet screen for damage.
3. Check in-line filter for damage.
4. Check high pressure hose for leaks.
5. Check detergent siphoning tube and filter for damage.
6. Check spray gun, nozzle extension, and nozzles for leaks.
7. Rinse out garden hose to flush out debris.



PRESSURE WASHER MAINTENANCE

Check and Clean Inlet Screen

Examine the screen on the water inlet. Clean it if the screen is clogged or replace it if screen is damaged.

Check High Pressure Hose

The high pressure hose can develop leaks from wear, kinking, or abuse. Inspect the hose each time before using it. Check for cuts, leaks, abrasions or bulging of cover, damage or movement of couplings. If any of these conditions exist, replace the hose immediately.

 WARNING	
	The high pressure stream of water that this equipment produces can pierce skin and its underlying tissues, leading to serious injury and possible amputation.
<ul style="list-style-type: none">• NEVER repair high pressure hose. Replace it.• Replacement hose rating MUST exceed maximum pressure rating of unit.	

Check Detergent Siphoning Tube

Examine the filter on the detergent tube and clean if clogged. The tube should fit tightly on the barbed fitting. Examine the tube for leaks or tears. Replace the filter or tube if either is damaged.

Cleaning Detergent Siphoning Tube

If you used the detergent siphoning tube, you must flush it with clean water before stopping the engine.

1. Place chemical injection siphon/filter in a bucket full of clean water.
2. Attach black low pressure spray tip.
3. Flush for 1-2 minutes.
4. Shut off engine.

IMPORTANT: Simply shutting **OFF** engine will not release pressure in the system. **When the engine has shut down, squeeze the trigger on the spray gun to relieve the pressure in the hose.**

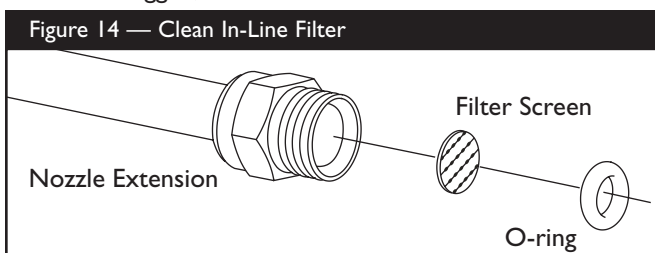


Check Gun and Nozzle Extension

Examine the hose connection to the gun and make sure it is secure. Test the trigger by pressing it and making sure it springs back into place when you release it. Put the safety latch in the on position and test the trigger. You should not be able to press the trigger.

Check In-Line Filter

Refer to Figure 14 and service the in-line filter if it becomes clogged, as follows:



1. Detach spray gun and nozzle extension from high pressure hose. Detach nozzle extension from spray gun and remove o-ring and screen from nozzle extension. Flush the screen, spray gun, and adjustable nozzle extension with clean water to clear debris.
2. If screen is damaged, the o-ring kit contains a replacement in-line filter screen and o-ring. If undamaged, reuse screen.
3. Place in-line filter screen into threaded end of nozzle extension. Direction does not matter. Push screen in with eraser end of pencil until it rests flat at bottom of opening. Take care to not bend screen.
4. Place o-ring into recess. Push o-ring snugly against in-line filter screen.
5. Assemble nozzle extension to spray gun, as described earlier in this manual.

Purge Pump of Air and Contaminants

To remove air from the pump, follow these steps:

1. Set up pressure washer as described in “Preparing Pressure Washer For Use”. Connect water supply and turn water on.
2. Pull trigger on spray gun and hold.
3. When water supply is steady and constant, engage safety latch.

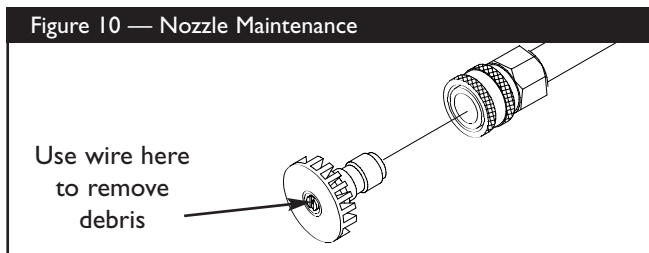
To remove contaminants from the pump, follow these steps:

1. Set up pressure washer as described in “Preparing Pressure Washer For Use”. Connect water supply and turn water on.
2. Start engine according to instructions in “To Start Pressure Washer”.
3. Remove nozzle extension from spray gun.
4. Squeeze trigger on spray gun and hold.
5. When water supply is steady and constant, engage safety latch and reattach nozzle extension.

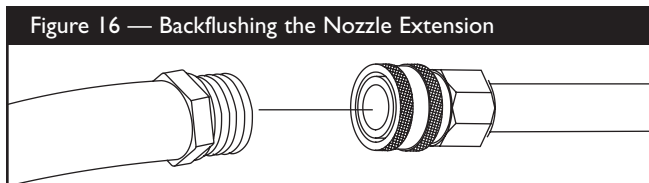
Nozzle Maintenance

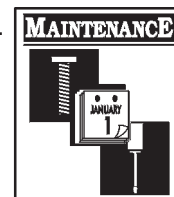
A pulsing sensation felt while squeezing the spray gun trigger may be caused by excessive pump pressure. The principal cause of excessive pump pressure is a nozzle clogged or restricted with foreign materials, such as dirt, etc. To correct the problem, immediately clean the nozzle using the tools included with your pressure washer and follow these instructions:

1. Shut off engine and turn off water supply.
2. Remove spray tip from end of nozzle extension.
3. Remove in-line filter from other end of nozzle extension.
4. Use wire included in kit (or a small paper clip) to free any foreign material clogging or restricting spray tip (Figure 10).



5. Using a garden hose, remove additional debris by back flushing water through nozzle extension (Figure 11). Back flush between 30 to 60 seconds.





6. Reinstall spray tip and in-line filter into nozzle extension.
7. Reconnect nozzle extension to spray gun.
8. Reconnect water supply, turn on water, and start engine.
9. Test pressure washer by operating with each Quick Connect spray tip.

O-Ring Maintenance

Through the normal operation of your pressure washer, o-rings, which keep the connections of the hoses and spray gun tight and leak-free, may become worn or damaged.

An O-Ring Maintenance Kit is provided with your pressure washer which includes replacement o-rings, rubber washer and water inlet filter. Refer to the instruction sheet provided in the kit to service your unit's o-rings. Note that not all of the parts in the kit will be used on your unit.

To remove a worn or damaged o-ring; use a small flathead screwdriver to get underneath the o-ring and pry it off.

Pump Maintenance

Changing Pump Oil

Change oil after first 50 hours of operation and then every 200 hours or 3 months, whichever occurs first.

NOTE: When changing pump oil, use only high quality nondetergent 30 weight oil. Use no special additives.

Change pump oil as follows:

1. Clean area around brass oil drain plug at bottom of pump.
2. Remove oil drain plug. Drain oil completely into an approved container.
3. When oil has completely drained, install oil drain plug and tighten firmly.
4. Clean area around pump oil dipstick. Remove dipstick and fill pump with recommended oil to "Full" mark on dipstick.
5. Install pump oil dipstick.
6. Wipe up any spilled oil.

ENGINE MAINTENANCE

See the engine owner's manual for instructions on how to properly maintain the engine.



CAUTION

Avoid prolonged or repeated skin contact with used motor oil.

- Used motor oil has been shown to cause skin cancer in certain laboratory animals.
- Thoroughly wash exposed areas with soap and water.



KEEP OUT OF REACH OF CHILDREN. DON'T POLLUTE. CONSERVE RESOURCES. RETURN USED OIL TO COLLECTION CENTERS.



PREPARING THE UNIT FOR STORAGE

Water should not remain in the unit for long periods of time. Sediments or minerals can deposit on pump parts and “freeze” pump action. If you do not plan to use the pressure washer for more than 30 days, follow this procedure:

1. Flush chemical injection hose by placing filter into a pail of clean water while running pressure washer in low pressure mode. Flush for one to two minutes.
2. Shut off engine and let it cool, then remove high pressure and garden hoses. Disconnect spark plug wire from spark plug.
3. Empty pump of liquids by pulling engine recoil handle about 6 times. This should remove most liquid from pump.
4. Use pump saver to prevent corrosion build up and freezing of pump.
5. Store unit in a clean, dry area.

Protecting the Pump

To protect the pump from damage caused by mineral deposits or freezing, use PumpSaver to treat pump. This prevents freeze damage and lubricates pistons and seals.

NOTE: PumpSaver is available as an optional accessory. It is not included with the pressure washer. Contact the nearest authorized service center to purchase PumpSaver.

CAUTION

You must protect your unit from freezing temperatures.

- Failure to do so will permanently damage your pump and render your unit inoperable.
- Freeze damage is not covered under warranty.



CAUTION

Read and follow all cautions and warnings on the PumpSaver can label.

- Always wear eye protection when using PumpSaver.

To use PumpSaver, make sure the pressure washer is turned off and disconnected from supply water. Read and follow all instructions and warnings given on the PumpSaver container.

NOTE: PumpSaver will drip from pump after treatment and will stain wood and concrete.

NOTE: If PumpSaver is not available, draw RV antifreeze (non-alcohol) into the pump by pouring the solution into a 3-foot section of garden hose connected to inlet adapter and pulling recoil handle twice.

STORING THE ENGINE

See the engine owner's manual for instructions on how to properly prepare the engine for storage.



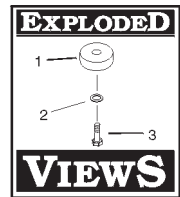
NOTES

NOTES

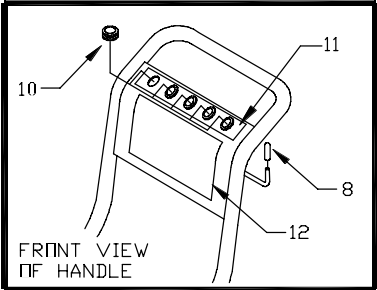
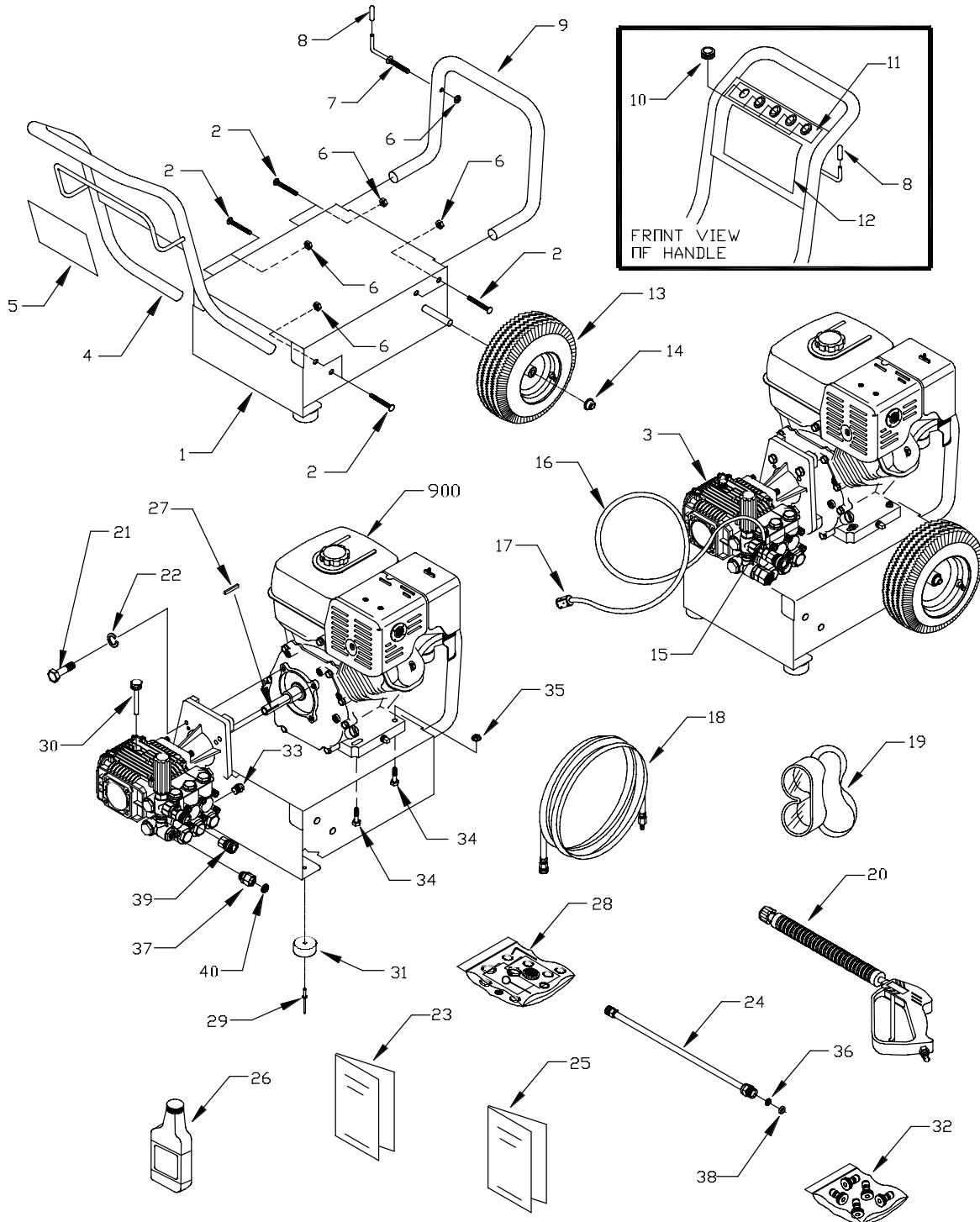


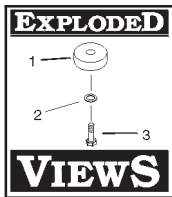
TROUBLESHOOTING

Problem	Cause	Correction
Pump has following problems: failure to produce pressure, erratic pressure, chattering, loss of pressure, low water volume.	<ol style="list-style-type: none">1. Low pressure spray tip installed.2. Water inlet is blocked.3. Inadequate water supply.4. Inlet hose is kinked or leaking.5. Clogged inlet hose strainer.6. Water supply is over 100°F.7. High pressure hose is blocked or leaks.8. Gun leaks.9. Spray tip is obstructed.10. Pump is faulty.	<ol style="list-style-type: none">1. Replace spray tip with high pressure spray tip.2. Clear inlet.3. Provide adequate water flow.4. Straighten inlet hose, patch leak.5. Check and clean inlet hose strainer.6. Provide cooler water supply.7. Clear blocks in outlet hose.8. Replace gun.9. Clean spray tip.10. Contact authorized service facility.
Detergent fails to mix with spray.	<ol style="list-style-type: none">1. Detergent siphoning tube is not submerged.2. Chemical filter is clogged or cracked.3. Dirty in-line filter.4. High pressure spray tip installed.	<ol style="list-style-type: none">1. Insert detergent siphoning tube into detergent.2. Clean or replace filter/detergent siphoning tube.3. See "Check In-Line Filter".4. Replace spray tip with low pressure spray tip.
Engine shuts down during operation.	Out of gasoline.	Fill fuel tank.



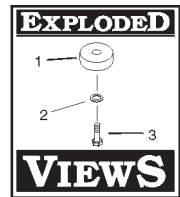
EXPLODED VIEW — UNIT



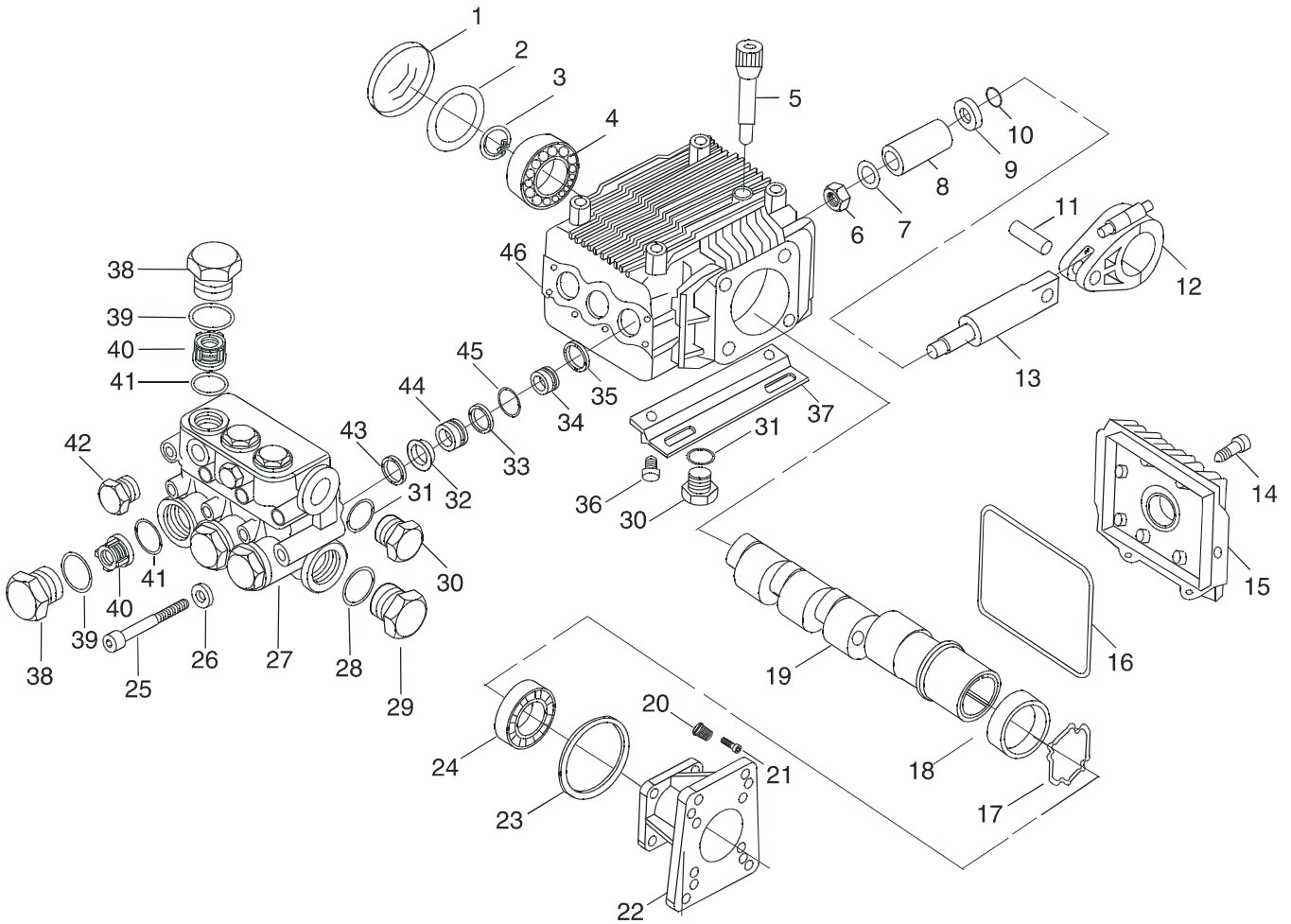


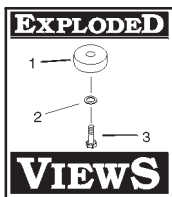
PARTS LIST — UNIT

Item	Part #	Qty.	Description
1	B190548GS	1	BASE
2	B2043GS	8	BOLT, Carriage
3	B2126AGS	1	ASSY, Pump (see pages 20-23)
4	CB3861CGS	1	HANDLE
5	B4160GS	1	DECAL, Instructions
6	99583GS	9	NUT
7	B2150GS	1	HOOK, Square Neck
8	B2516GS	2	CAP, Vinyl
9	CB4105GS	1	BUMPER
10	30809GS	5	GROMMET
11	187947AGS	1	DECAL, 5 QD Spray Tips
12	191663GS	1	DECAL, Unit
13	88521GS	2	ASSY, Wheel
14	190146GS	2	NUT, Push
15	48031GGS	1	CLAMP, Hose
16	A1040DGS	1	HOSE, Chemical Inject
17	A1041GS	1	FILTER, Chemical Hose
18	B4805GS	1	HOSE
19	87815GS	1	GOGGLES, Safety
20	B1436BGS	1	GUN
21	23645GS	4	SCREW
22	22237GS	4	WASHER, Lock
23	191658GS	1	MANUAL, Owners
24	B3858GS	1	ASSY, Wand Ext. with QD
25	B1464GS	1	MANUAL, Honda
26	BB3061BGS	2	OIL BOTTLE
27	63281GS	1	KEY
28	191922GS	1	KIT, Maintenance
29	188194GS	2	RIVET, Blind
30	11287628PGS	1	DIPSTICK, Pump
31	191413GS	2	VIB MOUNT, with Washer
32	186301GS	1	KIT, Spray Tips, QD
33	B1554GS	1	VALVE, Thermal Relief
34	64416GS	4	BOLT
35	52859GS	4	NUT, Lock
36	B4224GS	1	SCREEN, Gun Inlet
37	186839GS	1	GARDEN HOSE CONNECTOR
38	97837GS	1	O-RING, High Pressure Hose
39	95458GP	1	QUICK CONNECT
40	B2384GS	1	FILTER, Garden Hose Connector
900	NSP	1	ENGINE



EXPLODED VIEW — PUMP



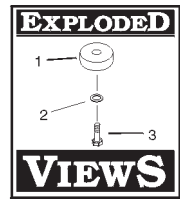


PARTS LIST — PUMP

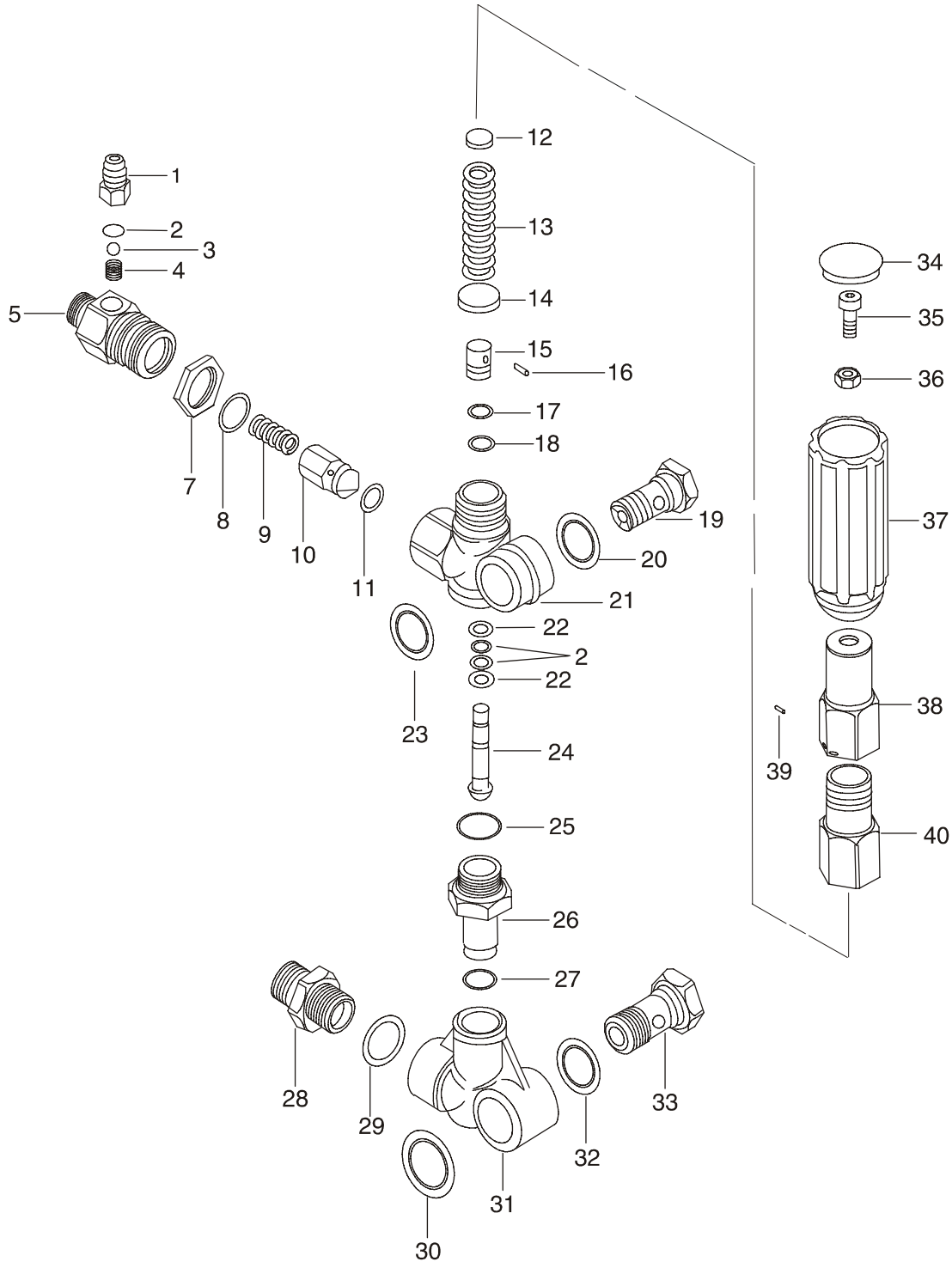
Item	Part #	Qty	Description	Item	Part #	Qty	Description
1	110B2126GS	1	Cap	24	12187822PGS	1	Seal
2	10887628PGS	1	Circlip	25	10087822PGS	8	Screw
3	112B2126GS	1	Snap Ring	26	137B2126GS	8	Washer
4	113B2126GS	1	Bearing	27	136B2126GS	1	Head
5	11287628PGS	1	Oil Cap	28	11787822PGS	1	O-Ring
6	11187822PGS	3	Nut	29	10387628PGS	1	Plug
7	11187822PGS	3	Piston Washer	30	10487628PGS	2	Plug
8	123B2126GS	3	Piston	31	10387628PGS	2	O-Ring
9	11687628PGS	3	Spacer Disc	32	10587822PGS	3	Gasket
10	11587628PGS	3	O-Ring	33	10393360PGS	3	Gasket
11	115B2126GS	3	Piston Pin	34	131B2126GS	3	Rear Piston Guide
12	119B2126GS	3	Con Rod	35	16593360PGS	3	Seal
13	120B2126GS	3	Guiding Piston	36	129B2126GS	4	Screw
14	117B2126GS	6	Screw	37	126B2126GS	2	Foot
15	118B2126GS	1	Complete Rear Cover	38	102B2126GS	6	Plug
16	116B2126GS	1	O-Ring	39	10187822PGS	6	O-Ring
17	12687628PGS	1	Snap Ring	40	10287822PGS	6	Complete Valve
18	12587628PGS	1	Bearing	41	10387822PGS	6	O-Ring
19	149B2126GS	1	Hollow Shaft	42	11193360PGS	1	Plug
20	152B2126GS	1	Grub Screw	43	106B2126GS	3	Support Ring
21	155B2327GS	4	Screw	44	108B2126GS	3	Piston Guide
22	150B2126GS	1	Gas Engine Flange	45	10493360PGS	3	O-Ring
23	151B2126GS	1	Bushing	46	109B2126GS	1	Pump Body

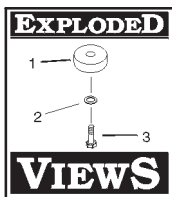
Service Kits:

A		B		C		D		E		F	
500-87628PGS Valve Kit		201-B2126GS Piston Kit		202-B2126GS Oil Seal Kit		203-B2126GS Water Seal Kit		204-B2126GS Support Ring Kit		205-B2126GS Pump Head Kit	
Item	Qty.	Item	Qty.	Item	Qty.	Item	Qty.	Item	Qty.	Item	Qty.
40	6	8	3	1	1	32	3	43	3	NA	NA
41	6			16	1	45	3				
				35	3						



EXPLODED VIEW — UNLOADER





PARTS LIST — UNLOADER

Item	Part #	Qty	Description	Item	Part #	Qty	Description
1	210B2327GS	1	Hose Tail	22	229B2327GS	2	Ring
2	231B2327GS	3	O-Ring	23	230B2327GS	1	Washer
3	211B2327GS	1	Stainless Ball	24	232B2327GS	1	Lower Piston
4	212B2327GS	1	Spring	25	234B2327GS	1	O-Ring
5	213B2126GS	1	Injector Body	26	233B2327GS	1	Piston Guide
7	215B2327GS	1	Injector Nut	27	235B2327GS	1	O-Ring
8	137B2327GS	1	O-Ring	28	241B2327GS	1	Suction Fitting
9	216B2327GS	1	Spring	29	240B2327GS	1	O-Ring
10	217B2327GS	1	Plunger	30	239B2327GS	1	Washer
11	218B2327GS	1	O-Ring	31	238B2327GS	1	Bypass Fitting
12	220B2327GS	1	Spacer Plate	32	237B2327GS	1	Washer
13	221B2327GS	1	Spring	33	236B2327GS	1	Inlet Bolt
14	222B2327GS	1	Spring, Spacer Plate	34	248B2327GS	1	Plug
15	219B2327GS	1	Upper Piston	35	155B2327GS	1	Screw
16	223B2327GS	1	Pin	36	246B2327GS	1	Nut
17	224B2327GS	1	Ring	37	245B2327GS	1	Knob
18	225B2327GS	1	O-Ring	38	243B2327GS	1	Housing
19	226B2327GS	1	Inlet Bolt	39	244B2327GS	1	Pin
20	227B2327GS	1	Washer	40	242B2327GS	1	Spring Guide
21	228B2327GS	1	Valve Housing	0	153B2126GS	1	Complete Unloader

Service Kits:

250-B2327GS					
Item	Qty.	Item	Qty.	Item	Qty.
11	1	23	1	30	1
17	1	2	3	29	1
18	1	25	1	8	1
20	1	27	1		
22	2	32	1		

GENERAC PORTABLE PRODUCTS OWNER WARRANTY POLICY Effective January 1, 2003

LIMITED WARRANTY

"Generac Portable Products is a licensed trademark of Briggs & Stratton Power Products. Briggs & Stratton Power Products will repair or replace, free of charge, any part, or parts of the equipment** that are defective in material or workmanship or both. Transportation charges on parts submitted for repair or replacement under this warranty must be borne by purchaser. This warranty is effective for the time periods and subject to the conditions provided for in this policy. For warranty service, find your nearest Authorized service dealer by calling 1-800-270-1408. Warranty service may only be performed by a Briggs & Stratton Power Products Authorized service dealer.

THERE IS NO OTHER EXPRESS WARRANTY. IMPLIED WARRANTIES, INCLUDING THOSE OF MERCHANTABILITY AND FITNESS FOR A PARTICULAR PURPOSE, ARE LIMITED TO THE TIME PERIOD SPECIFIED, OR TO THE EXTENT PERMITTED BY LAW. ANY AND ALL IMPLIED WARRANTIES ARE EXCLUDED. LIABILITY FOR CONSEQUENTIAL DAMAGES UNDER ANY AND ALL WARRANTIES ARE EXCLUDED TO THE EXTENT EXCLUSION IS PERMITTED BY LAW. Some countries or states do not allow limitations on how long an implied warranty lasts, and some countries or states do not allow the exclusion or limitation of incidental or consequential damages, so the above limitation and exclusion may not apply to you. This warranty gives you specific legal rights and you may also have other rights that vary from country to country or state to state."

WARRANTY PERIOD*

Equipment **	Consumer Use	Commercial Use
Pressure Washer	1 Year	90 Days
Portable Generator	2 Years (2nd year parts only)	1 Year

* The warranty period begins on the date of purchase by the first retail consumer or commercial end user, and continues for the period of time stated in the table above. "Consumer use" means personal residential household use by a retail consumer. "Commercial use" means all other uses, including use for commercial, income producing or rental purposes. Once equipment has been used commercially, it shall thereafter be considered to be in commercial use for purposes of this warranty.

** The engine and starting batteries are warranted solely by the manufacturers of those products.

WARRANTY REGISTRATION IS NOT NECESSARY TO OBTAIN WARRANTY ON BRIGGS & STRATTON POWER PRODUCTS EQUIPMENT. SAVE YOUR PROOF OF PURCHASE RECEIPT. IF YOU DO NOT PROVIDE PROOF OF THE INITIAL PURCHASE DATE AT THE TIME WARRANTY SERVICE IS REQUESTED, THE MANUFACTURING DATE OF THE EQUIPMENT WILL BE USED TO DETERMINE THE WARRANTY PERIOD.

About your equipment warranty:

We welcome warranty repair and apologize to you for being inconvenienced. Any Authorized service dealer may perform warranty repairs. Most warranty repairs are handled routinely, but sometimes requests for warranty service may not be appropriate. For example, warranty service would not apply if equipment damage occurred because of misuse, lack of routine maintenance, shipping, handling, warehousing or improper installation. Similarly, the warranty is void if the manufacturing date or the serial number on the equipment has been removed or the equipment has been altered or modified. During the warranty period, the Authorized service dealer, at its option, will repair or replace any part that, upon examination, is found to be defective under normal use and service. This warranty will not cover following repairs and equipment:

- **Normal Wear:** Outdoor power equipment, like all mechanical devices, needs periodic parts, service and replacement to perform well. This warranty does not cover repair when normal use has exhausted the life of a part or the equipment.
- **Installation and Maintenance:** This warranty does not apply to equipment or parts that have been subjected to improper or unauthorized installation or alteration and modification, misuse, negligence, accident, overloading, overspeeding, improper maintenance, repair or storage so as, in our judgment, to adversely affect its performance and reliability. This warranty also does not cover normal maintenance such as adjustments, fuel system cleaning and obstruction (due to chemical, dirt, carbon or lime, etc.).
- **Other Exclusions:** Also excluded from this warranty are wear items such as quick couplers, oil gauges, belts, o-rings, filters, pump packing, etc., pumps which have been run without water supplied or damage or malfunctions resulting from accidents, abuse, modifications, alterations, or improper servicing or freezing or chemical deterioration. Accessory parts such as guns, hoses, wands and nozzles are excluded from the product warranty. Also excluded is used, reconditioned, and demonstration equipment; equipment used for prime power in place of utility power and equipment used in life support applications.

**BRIGGS & STRATTON POWER PRODUCTS GROUP, LLC
JEFFERSON, WISCONSIN, U.S.A.**

Free Manuals Download Website

<http://myh66.com>

<http://usermanuals.us>

<http://www.somanuals.com>

<http://www.4manuals.cc>

<http://www.manual-lib.com>

<http://www.404manual.com>

<http://www.luxmanual.com>

<http://aubethermostatmanual.com>

Golf course search by state

<http://golfingnear.com>

Email search by domain

<http://emailbydomain.com>

Auto manuals search

<http://auto.somanuals.com>

TV manuals search

<http://tv.somanuals.com>