

PowerBOSS™

PRESSURE WASHER

Operator's Manual Manual del Operario

**020262
(3700 PSI)**

Questions? Help is just a moment away!

Preguntas? La ayuda es justa un momento lejos!

Call: **Pressure Washer Helpline**

Llame: **Línea Directa del Lavador a Presión**

1-800-743-4115 M-F 8-5 CT

web: www.briggsandstratton.com



WARNING

Before using this product, read this manual and follow all Safety Rules and Operating Instructions.



ADVERTENCIA

Antes de utilizar el producto, lea este manual y siga todas las Reglas de Seguridad e Instrucciones de Uso.

PowerBOSS™ is a trademark of Briggs & Stratton Power Products.

PowerBOSS™ es una marca registrada de Briggs & Stratton Power Products.

BRIGGS & STRATTON POWER PRODUCTS GROUP, LLC
JEFFERSON, WISCONSIN, U.S.A.


Manual No. 199215GS
Revision 0 (01/19/2006)

SAVE THESE INSTRUCTIONS

TABLE OF CONTENTS

Section 1 - Safety Rules 2-5
 Section 2 - Features and Controls 6
 Section 3 - Assembly 7-9
 Section 4 - Operation 10-13
 Section 5 - Product Specifications 14
 Section 5 - Maintenance 14-15
 Section 6 - Storage 16
 Section 7 - Troubleshooting 17
 Notes 18
 Warranty 19

EQUIPMENT DESCRIPTION


 **Read this manual carefully and become familiar with your pressure washer. Know its applications, its limitations and any hazards involved.**


This manual contains information for a high pressure washer that operates at 3,700 PSI at a flow rate of 4.0 gallons per minute. This powerful, high quality system features large 13” wheels, a pump equipped with an automatic cool down system, chemical injection system, nozzle extension with quick connect nozzles, safety goggles, heavy duty 50’ high pressure hose, and more.

Every effort has been made to ensure that information in this manual is accurate and current. However, we reserve the right to change, alter or otherwise improve the product and this document at any time without prior notice.

Copyright © 2006 Briggs & Stratton Power Products Group, LLC. All rights reserved. No part of this material may be reproduced or transmitted in any form by any means without the express written permission of Briggs & Stratton Power Products Group, LLC.













SAFETY RULES

 **This is the safety alert symbol. It is used to alert you to potential personal injury hazards. Obey all safety messages that follow this symbol to avoid possible injury or death.**

The safety alert symbol () is used with a signal word (DANGER, CAUTION, WARNING), a pictorial and/or a safety message to alert you to hazards. **DANGER** indicates a hazard which, if not avoided, *will* result in death or serious injury. **WARNING** indicates a hazard which, if not avoided, *could* result in death or serious injury. **CAUTION** indicates a hazard which, if not avoided, *might* result in minor or moderate injury. **CAUTION**, when used **without** the alert symbol, indicates a situation that could result in equipment damage. Follow safety messages to avoid or reduce the risk of injury or death.

 WARNING
The engine exhaust from this product contains chemicals known to the State of California to cause cancer, birth defects, or other reproductive harm.

Hazard Symbols and Meanings

		
Toxic Fumes	Operator's Manual	Electrical Shock
		
Slippery Surface	Fall	Fluid Injection
		
Fire	Explosion	Hot Surface
		
Moving Parts	Flying Objects	Kickback

! WARNING

Running engine gives off carbon monoxide, an odorless, colorless, poison gas.

Breathing carbon monoxide can cause nausea, fainting or death.

Some chemicals or detergents may be harmful if inhaled or ingested, causing severe nausea, fainting or poisoning.

- Operate pressure washer **ONLY** outdoors.
- Keep exhaust gas from entering a confined area through windows, doors, ventilation intakes or other openings.
- **DO NOT** operate pressure washer inside any building or enclosure, even if doors or windows are open.
- Use a respirator or mask whenever there is a chance that vapors may be inhaled.
- Read all instructions with mask so you are certain the mask will provide the necessary protection against inhaling harmful vapors.

! WARNING

Use of pressure washer can create puddles and slippery surfaces.



High pressure spray could cause you to fall if you are too close to the cleaning surface.

- Keep spray nozzle between 8 to 24 inches away from cleaning surface.
- Operate this unit on a stable surface.
- The cleaning area should have adequate slopes and drainage to reduce the possibility of a fall due to slippery surfaces.
- Be extremely careful if you must use the pressure washer from a ladder, scaffolding or any other relatively unstable location.
- Firmly grasp spray gun with both hands when using high pressure spray to avoid injury when gun kicks back.

! WARNING

Fuel and its vapors are extremely flammable and explosive.



Fire or explosion can cause severe burns or death.

WHEN ADDING FUEL

- Turn pressure washer **OFF** and let it cool at least 2 minutes before removing gas cap.
- Fill fuel tank outdoors.
- **DO NOT** overfill tank. Allow space for fuel expansion.
- Keep fuel away from sparks, open flames, pilot lights, heat, and other ignition sources.
- **DO NOT** light a cigarette or smoke.

WHEN OPERATING EQUIPMENT

- **DO NOT** tip engine or equipment at angle which causes fuel to spill.
- **DO NOT** spray flammable liquids.

WHEN TRANSPORTING OR REPAIRING EQUIPMENT

- Transport/repair with fuel tank **EMPTY** or with fuel shutoff valve **OFF**.

WHEN STORING FUEL OR EQUIPMENT WITH FUEL IN TANK


- Store away from furnaces, stoves, water heaters, clothes dryers or other appliances that have pilot light or other ignition source because they can ignite fuel vapors.

! WARNING

Spray contact with electrical wiring can result in electrocution.

- Keep water spray away from electric wiring or fatal electric shock may result.


⚠ WARNING




Rapid retraction of starter cord (kickback) will pull hand and arm toward engine faster than you can let go.
Broken bones, fractures, bruises or sprains could result.

- ALWAYS point gun in safe direction and squeeze spray gun trigger, to release pressure and avoid kickback each time, before starting engine. Engage trigger lock when not in use.
- When starting engine, pull cord slowly until resistance is felt and then pull rapidly to avoid kickback.
- After each starting attempt, where engine fails to run, always point gun in safe direction and squeeze spray gun trigger to release high pressure.
- Firmly grasp spray gun with both hands when using high pressure spray to avoid injury when gun kicks back.

⚠ WARNING




Running engines produce heat. Temperature of muffler and nearby areas can reach or exceed 150°F (65°C).
Severe burns can occur on contact.



Exhaust heat/gases can ignite combustibles, structures or damage fuel tank causing a fire.

- DO NOT touch hot surfaces and avoid hot exhaust gases.
- Allow equipment to cool before touching.
- Keep at least 5 ft. (152 cm) clearance on all sides of pressure washer including overhead.
- Code of Federal Regulation (CFR) Title 36 Parks, Forests, and Public Property require equipment powered by an internal combustion engine to have a spark arrester, maintained in effective working order, complying to USDA Forest service standard 5100-1C or later revision. In the State of California a spark arrester is required under section 4442 of the California Public resources code. Other states may have similar laws.


⚠ WARNING



Starter and other rotating parts can entangle hands, hair, clothing, or accessories.

- DO NOT wear loose clothing, jewelry or anything that may be caught in the starter or other rotating parts.
- Tie up long hair and remove jewelry.


⚠ WARNING



The high pressure stream of water that this equipment produces can pierce skin and its underlying tissues, leading to serious injury and possible amputation.
Spray gun traps high water pressure, even when engine is stopped and water is disconnected, which can cause injury.

- NEVER aim spray gun at people, animals or plants.
- DO NOT allow CHILDREN to operate pressure washer.
- NEVER repair high pressure hose. Replace it.
- NEVER repair leaking connections with sealant of any kind. Replace o-ring or seal.
- Keep high pressure hose connected to pump and spray gun while system is pressurized.
- ALWAYS point gun in safe direction and squeeze spray gun trigger, to release high pressure, every time you stop engine. Engage trigger lock when not in use.


⚠ WARNING



High pressure spray can cause paint chips or other particles to become airborne.

- Always wear safety goggles when using this equipment or in vicinity of where equipment is in use.
- Before starting the pressure washer, be sure you are wearing adequate safety goggles.

⚠ WARNING



Unintentional sparking can result in fire or electric shock.

WHEN ADJUSTING OR MAKING REPAIRS TO YOUR PRESSURE WASHER

- Disconnect spark plug wire from spark plug and place wire where it cannot contact spark plug.

WHEN TESTING FOR ENGINE SPARK

- Use approved spark plug tester.
- DO NOT check for spark with spark plug removed.

**CAUTION**

Excessively high or low operating speeds increase risk of injury and damage to pressure washer.

- DO NOT tamper with governed speed.
- DO NOT operate pressure washer above rated pressure.

**CAUTION**

A pressure washer produces a high pressure spray which increases risk of injury and damage to unit.

- DO NOT secure spray gun in open position.
- DO NOT leave spray gun unattended while machine is running.
- NEVER use a spray gun which does not have a trigger lock or trigger guard in place and in working order.
- Always be certain spray gun, nozzles and accessories are correctly attached.

CAUTION

High pressure spray may damage fragile items including glass.

- DO NOT point spray gun at glass when in jet spray mode.
- NEVER aim spray gun at plants.

CAUTION

Improper treatment of pressure washer can damage it and shorten its life.

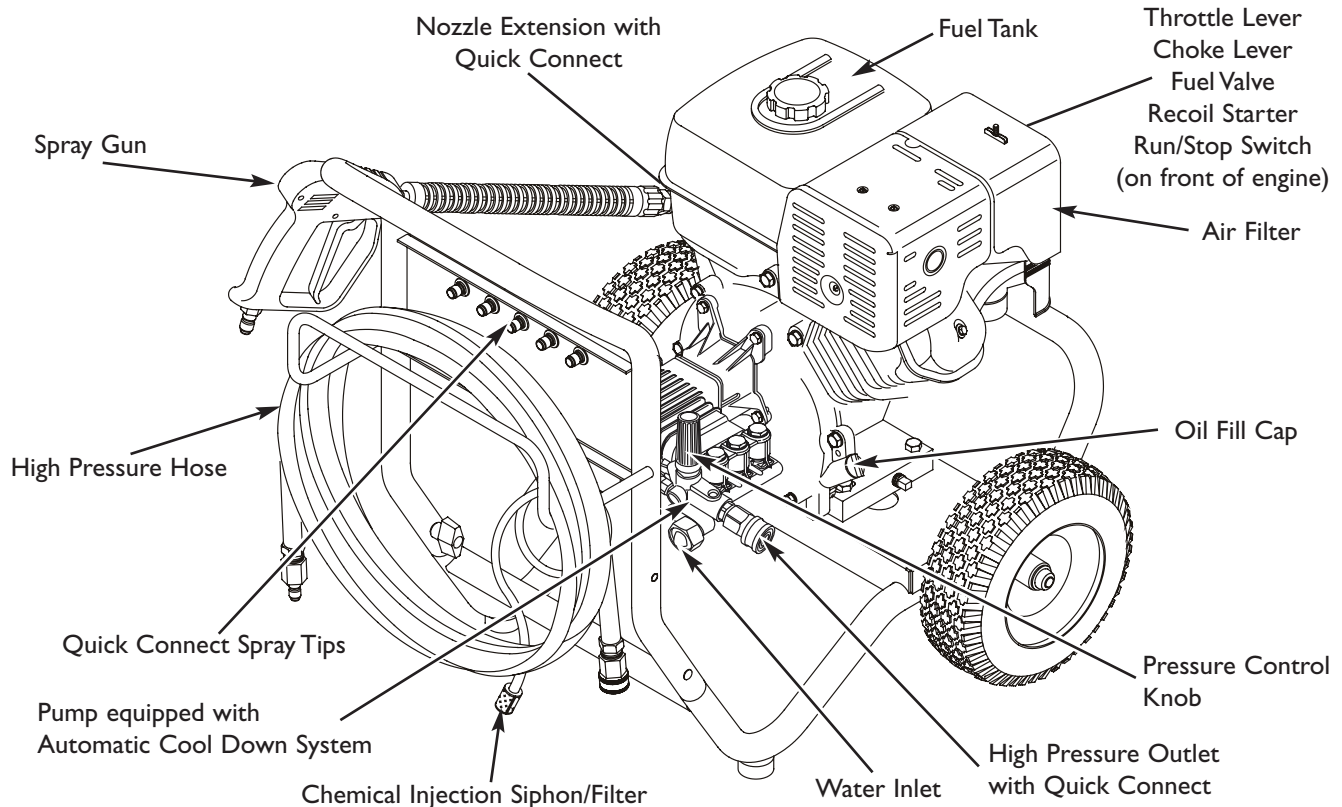
- If you have questions about intended use, ask dealer or contact Briggs & Stratton Power Products.
- NEVER operate units with broken or missing parts, or without protective housing or covers.
- DO NOT by-pass any safety device on this machine.
- Before starting pressure washer in cold weather, check all parts of the equipment to be sure ice has not formed there.
- NEVER move machine by pulling on hoses. Use handle provided on unit.
- Check fuel system for leaks or signs of deterioration, such as chafed or spongy hose, loose or missing clamps, or damaged tank or cap. Correct all defects before operating pressure washer.
- This equipment is designed to be used with Briggs & Stratton Power Products authorized parts **ONLY**. If equipment is used with parts that DO NOT comply with minimum specifications, user assumes all risks and liabilities.

KNOW YOUR PRESSURE WASHER



Read this Operator's Manual and safety rules before operating your pressure washer.

Compare the illustrations with your pressure washer to familiarize yourself with the locations of various controls and adjustments. Save this manual for future reference.



Air Filter — Protects engine by filtering dust and debris out of intake air.

Automatic Cool Down System — Cycles water through pump when water reaches 125°-155°F. Warm water will discharge from pump onto ground. This system prevents internal pump damage.

Chemical Injection Siphon/Filter — Used to siphon detergent or other pressure washer chemicals into the low pressure stream.

Choke Lever — Prepares a cold engine for starting.

Fuel Tank — Fill tank with recommended fuel.

High Pressure Hose — Connect one end to the water pump and the other end to the spray gun.

High Pressure Outlet with Quick Connect — To connect high pressure hose.

Nozzle Extension with Quick Connect — Permits easy switching between five different spray tips.

Oil Fill Cap — Fill engine with oil here.

Pressure Control Knob — Varies pressure of high pressure spray.

Pump — Develops high pressure.

Recoil Starter — Use for starting the engine manually.

Run/Stop Switch — Set this switch to "Run" before using recoil starter. Set switch to "Stop" to switch off engine.

Spray Gun — Controls the application of water onto cleaning surface with trigger device. Includes safety latch.

Quick Connect Spray Tips — Chemical injection, 0°, 15°, 25°, and 40°: for various cleaning applications.

Throttle Lever — Sets engine in starting mode for recoil starter.

Water Inlet — Connect garden hose here.

ASSEMBLY

IMPORTANT: Read entire operator's manual before you attempt to assemble or operate your new pressure washer.

Unpack the Pressure Washer

1. Remove everything from carton except pressure washer.
2. Open carton completely by cutting each corner from top to bottom.
3. Remove pressure washer from carton.

Carton Contents

Items in the carton include:

- Main unit
- High pressure hose
- Handle
- Engine oil
- Spray gun with quick connect fitting
- Nozzle extension with quick connect fitting
- Parts bag (includes the following):
 - Owner's registration card
 - Safety goggles
 - Bag containing 5 multi-colored quick connect spray tips
 - Operator's manual
 - Engine operator's manual
 - Emissions control warranty sheet
 - Handle Fastening Hardware Kit (which includes):
 - Carriage Bolts (2)
 - Plastic Knobs (2)

If any of the above parts are missing or damaged, call the pressure washer helpline at **1-800-743-4115**.

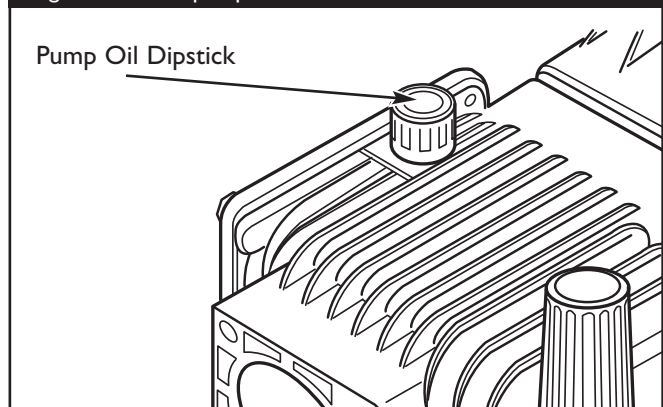
PREPARING PRESSURE WASHER FOR USE

If you have any problems with the assembly of your pressure washer or if parts are missing or damaged, call the pressure washer helpline at **1-800-743-4115**.

To prepare your pressure washer for operation, you will need to perform these tasks:

1. Fill out and send in registration card.
2. Verify oil dipstick has been installed into pump (Figure 1).

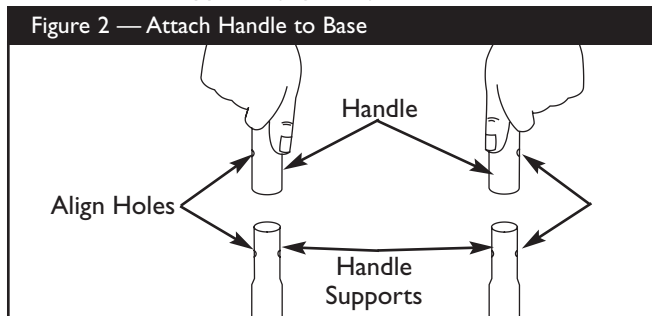
Figure 1 — Pump Dipstick



3. Attach handle to main unit.
4. Add oil to engine.
5. Add fuel to fuel tank.
6. Connect high pressure hose to spray gun and pump.
7. Connect water supply to pump.
8. Connect nozzle extension to spray gun.
9. Select/attach quick connect spray tip to nozzle extension.

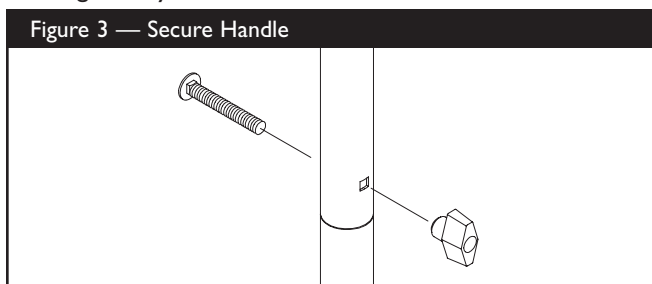
Attach Handle

1. Place handle assembly onto handle supports connected to main unit. Make sure holes in handle align with holes on handle supports (Figure 2).



NOTE: It may be necessary to move the handle supports from side to side in order to align the handle so it will slide over the handle supports.

2. Insert carriage bolts through holes from outside of unit and attach plastic knob from inside of unit (Figure 3). Tighten by hand.



3. Insert multi-colored spray tips in spaces provided in handle.

Add Engine Oil and Fuel

- Place pressure washer on a level surface.
- Refer to engine operator's manual and follow oil and fuel recommendations and instructions.

CAUTION

Any attempt to crank or start the engine before it has been properly filled with the recommended oil will result in equipment failure.

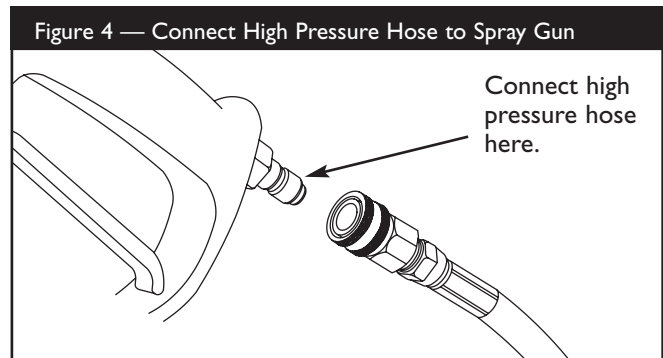
- Refer to engine operator's manual for oil and fuel fill information.
- Damage to equipment resulting from failure to follow this instruction will void warranty.

NOTE: Check oil often during engine break-in. Refer to engine operator's manual for recommendations.

Connect Hose and Water Supply to Pump

IMPORTANT: To avoid pump damage, you must assemble the nozzle extension to the spray gun and attach all hoses before you start the engine.

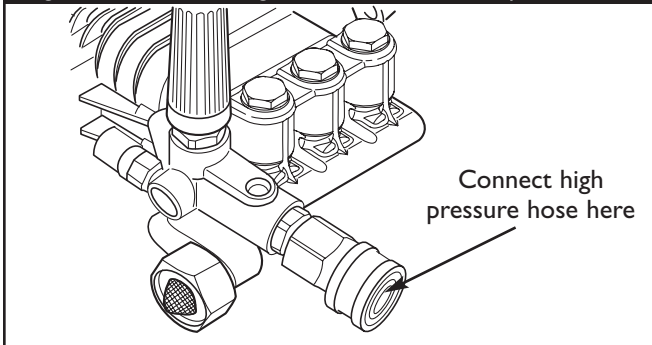
1. Uncoil high pressure hose and attach quick connect end of hose to base of spray gun (Figure 4). Pull down on collar of quick connect, slide onto spray gun and let go of collar. Tug on hose to be sure of tight connection.



NOTE: Remove and discard all pump shipping caps before attaching hoses.

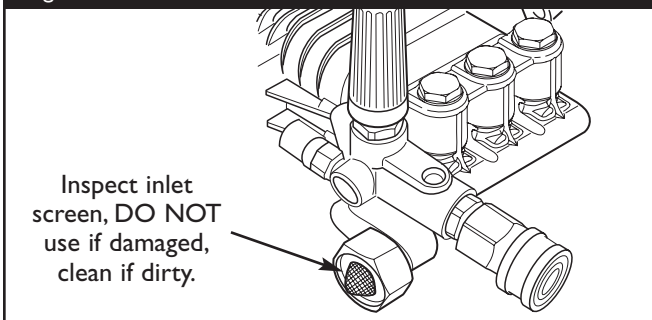
- Similarly, attach other end of high pressure hose to high pressure outlet on pump (Figure 5). Pull down on collar of quick connect, slide onto pump and let go of collar. Pull on hose to be sure of tight connection.

Figure 5 — Connect High Pressure Hose to Pump



- Before connecting garden hose to water inlet, inspect inlet screen (Figure 6). Clean screen if it contains debris, replace if damaged. **DO NOT RUN PRESSURE WASHER IF SCREEN IS DAMAGED.**

Figure 6 — Connect the Garden Hose to Water Inlet



- Run water through garden hose for 30 seconds to clean out any debris. Turn off water.
- IMPORTANT:** DO NOT siphon standing water for the water supply. Use ONLY cold water (less than 100°F).
- Connect garden hose (not to exceed 50 feet in length) to water inlet. Tighten by hand (Figure 6).

CAUTION

There **MUST** be at least ten feet of unrestricted garden hose between the pressure washer inlet and any flow shut off device, such as a 'Y' shut-off connector or other convenience-type water shut-off valve.

- Damage to equipment resulting from failure to follow this instruction will void warranty.

- Turn ON water, point gun in a safe direction and squeeze trigger to purge pump system of air and impurities.



WARNING



High pressure spray can cause paint chips or other particles to become airborne.

- Always wear safety goggles when using this equipment or in vicinity of where equipment is in use.
- Before starting the pressure washer, be sure you are wearing adequate safety goggles.

Checklist Before Starting Engine

Review the unit's assembly to confirm you have performed all of the following:

- Make sure handle is in place and secure.
- Check that oil has been added to proper level in engine crankcase.
- Add proper fuel to fuel tank.
- Check for properly attached hose connections.
- Check to make sure there are no kinks, cuts, or damage to high pressure hose.
- Provide a proper water supply (not to exceed 100°F) at an adequate flow.
- Be sure to read "Safety Rules" and "How To Use Pressure Washer" before using pressure washer.

HOW TO USE PRESSURE WASHER

If you have any problems operating your pressure washer, please call the pressure washer helpline at **1-800-743-4115**.

Pressure Washer Location

Pressure Washer Clearance

WARNING



Exhaust heat/gases can ignite combustibles, structures or damage fuel tank causing a fire.

- Keep at least 5 ft. (152 cm) clearance on all sides of pressure washer including overhead.

Place pressure washer in a well ventilated area, which will allow for removal of deadly exhaust gas. **DO NOT** place pressure washer where exhaust gas could accumulate and enter inside or be drawn into a potentially occupied building. Ensure exhaust gas is kept away from any windows, doors, ventilation intakes or other openings that can allow exhaust gas to collect in a confined area (Figure 7). Prevailing winds and air currents should be taken into consideration when positioning pressure washer.

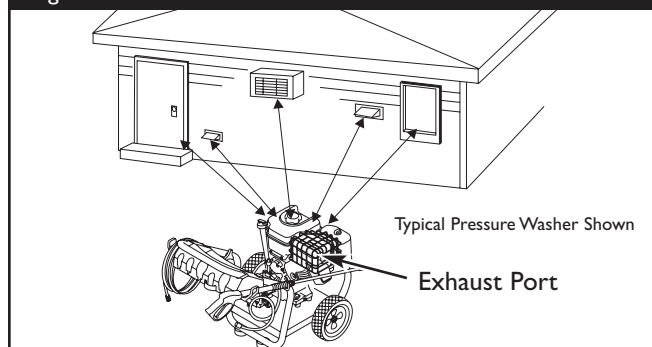
WARNING



Running engine gives off carbon monoxide, an odorless, colorless, poison gas. Breathing carbon monoxide can cause nausea, fainting or death.

- Operate pressure washer **ONLY** outdoors.
- Keep exhaust gas from entering a confined area through windows, doors, ventilation intakes or other openings.
- **DO NOT** operate pressure washer inside any building or enclosure, even if doors or windows are open.

Figure 7 — Pressure Washer Clearance



How to Start Engine

The best way to start your pressure washer for the first time is to follow these instructions step-by-step. This starting information also applies if have let the pressure washer sit idle for at least a day.

1. Place pressure washer near an outside water source capable of supplying water at a flow rate greater than 5.0 gallons per minute and no less than 20 PSI at pressure washer end of garden hose.
2. Make sure unit is in a level position.
3. Check that high pressure hose is connected to spray gun and pump. See “Preparing Pressure Washer for Use” for illustrations.
4. Connect garden hose to water inlet on pressure washer pump.
5. Turn ON water, point gun in a safe direction and squeeze trigger to purge pump system of air and impurities.

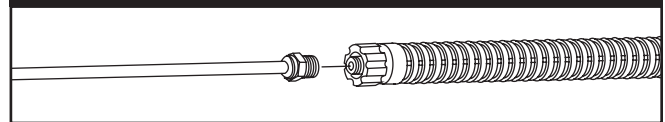
CAUTION

DO NOT run the pump without the water supply connected and turned on.

- Damage to equipment resulting from failure to follow this instruction will void warranty.

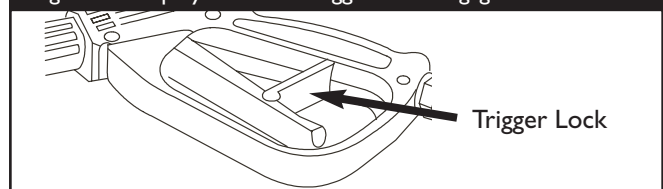
6. Attach nozzle extension to spray gun (Figure 8). Tighten by hand.

Figure 8 — Connect Nozzle Extension to Spray Gun



7. Choose spray tip you want to use and insert it into nozzle extension. See “How to Use Spray Tips”.
8. Engage trigger lock on spray gun trigger (Figure 9).

Figure 9 — Spray Gun with Trigger Lock Engaged



9. When starting engine, position yourself as recommended in Figure 10 and start engine according to instructions given in engine operator's manual. Also see operating instructions tag located on the pressure washer.

Figure 10 - Recommended Starting Position



⚠ WARNING



Rapid retraction of starter cord (kickback) will pull hand and arm toward engine faster than you can let go. Broken bones, fractures, bruises or sprains could result.

- ALWAYS point gun in safe direction and squeeze spray gun trigger, to release pressure and avoid kickback each time, before starting engine.
- When starting engine, pull cord slowly until resistance is felt and then pull rapidly to avoid kickback.
- After each starting attempt, where engine fails to run, always point gun in safe direction and squeeze spray gun trigger to release high pressure.
- Firmly grasp spray gun with both hands when using high pressure spray to avoid injury when gun kicks back.

NOTE: Always keep the throttle lever in the “Fast” position when operating the pressure washer.

⚠ WARNING



Running engines produce heat. Temperature of muffler and nearby areas can reach or exceed 150°F (65°C).



Severe burns can occur on contact. Exhaust heat/gases can ignite combustibles, structures or damage fuel tank causing a fire.

- DO NOT touch hot surfaces and avoid hot exhaust gases.
- Allow equipment to cool before touching.
- Keep at least 5 ft. (152 cm) clearance on all sides of pressure washer including overhead.
- Code of Federal Regulation (CFR) Title 36 Parks, Forests, and Public Property require equipment powered by an internal combustion engine to have a spark arrester, maintained in effective working order, complying to USDA Forest service standard 5100-1C or later revision. In the State of California a spark arrester is required under section 4442 of the California Public resources code. Other states may have similar laws.

How to Stop Pressure Washer

1. Let engine idle for two minutes.
2. Turn engine off according to instructions given in engine operator's manual.
3. ALWAYS point gun in a safe direction and squeeze spray gun trigger to release retained high water pressure.

IMPORTANT: Spray gun traps high water pressure, even when engine is stopped and water is disconnected.

⚠ WARNING



The high pressure stream of water that this equipment produces can pierce skin and its underlying tissues, leading to serious injury and possible amputation.

Spray gun traps high water pressure, even when engine is stopped and water is disconnected, which can cause injury.

- Keep high pressure hose connected to pump and spray gun while system is pressurized.
- ALWAYS point gun in safe direction and squeeze spray gun trigger, to release high pressure, every time you stop engine. Engage trigger lock when not in use.

4. Engage trigger lock on spray gun when not in use.

How to Use Spray Tips

The nozzle extension quick-connect allows the use of several different spray tips. Each spray tip provides a different spray pattern (Figure 11).



CAUTION

A pressure washer produces a high pressure spray which increases risk of injury and damage to unit.

- NEVER exchange spray tips without engaging the trigger lock on the spray gun.

Follow these instructions to change spray tips:

1. Engage trigger lock on spray gun.
2. Pull back collar on quick-connect and pull current spray tip off.
3. Select desired spray tip:
 - For gentle rinse, select white 40° or green 25° spray tip.
 - To scour surface, select yellow 15° or red 0° spray tip.
 - To apply detergent, select black spray tip.
4. Pull back on collar; insert new spray tip and release collar. Tug on spray tip to make sure it is securely in place.
5. For most effective cleaning, keep spray tip from 8 to 24 inches away from cleaning surface.
6. DO NOT get closer than 6 inches when cleaning automobile tires.

Cleaning and Applying Detergent

IMPORTANT: Use detergents designed specifically for pressure washers. Household detergents could damage the pump.

CAUTION

You must attach all hoses before you start the engine.

- Starting the engine without all the hoses connected and without the water turned ON will damage the pump.
- Damage to equipment resulting from failure to follow this instruction will void warranty.

To apply detergent follow these steps:

1. Review spray tip use.
2. Prepare detergent solution as required by manufacturer.
3. Place detergent siphon tube/filter into detergent container.

CAUTION

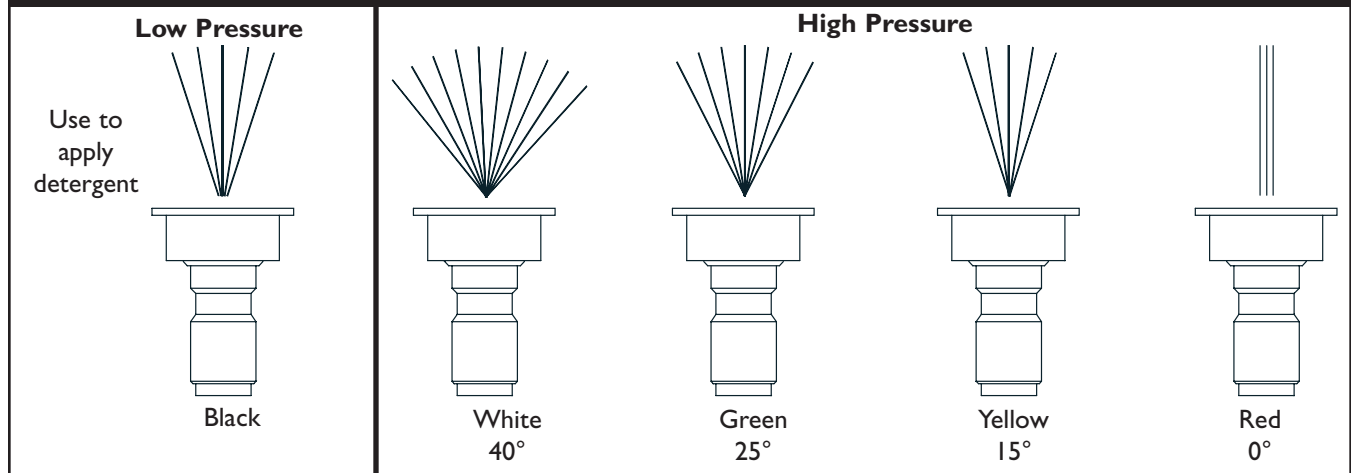
Keep the detergent siphon tube from coming in contact with the hot muffler.

- When inserting the filter into a detergent solution bottle, route the tube so as to keep it from inadvertently contacting the hot muffler.

4. Make sure black spray tip is installed.

NOTE: Detergent cannot be applied with high pressure spray tips (White, Green, Yellow, or Red).

Figure 11 — Spray Tips



5. Make sure garden hose is connected to water inlet. Check that high pressure hose is connected to spray gun and pump; start engine.
 6. Apply detergent to a dry surface, starting at lower portion of area to be washed and work upward, using long, even, overlapping strokes. **DO NOT** allow detergent to dry on (prevents streaking).
 7. Allow detergent to soak in between 3–5 minutes before washing and rinsing. Reapply as needed to prevent surface from drying.
5. Increase (decrease) spray pressure by turning pressure control knob clockwise (counterclockwise) (See “Know Your Pressure Washer”). Use lower pressure to wash items such as a car or boat. Use higher pressure to strip paint and degrease driveways.
 6. Apply high pressure spray to small area and then check surface for damage. If no damage is found, you can assume it is okay to continue cleaning.
 7. Start at top of area to be rinsed, working down with same overlapping strokes as used for cleaning.

IMPORTANT: You must flush the injection system after each use by placing the filter into a bucket of clean water, then run the pressure washer in low pressure for 1-2 minutes.

Pressure Washer Rinsing

After you have applied detergent, scour the surface and rinse it clean as follows:

1. Engage trigger lock on spray gun.
2. Remove black detergent spray tip from nozzle extension.
3. Select and install desired high pressure spray tip following the instructions in “How to Use Spray Tips”.
4. Keep spray gun a safe distance from the area you plan to spray.



WARNING



High pressure spray could cause you to fall if you are too close to the cleaning surface.

- Keep spray nozzle between 8 to 24 inches away from cleaning surface.
- Operate this unit on a stable surface.
- Be extremely careful if you must use the pressure washer from a ladder, scaffolding or any other relatively unstable location.
- Firmly grasp spray gun with both hands when using high pressure spray to avoid injury when gun kicks back.

Cleaning Detergent Siphoning Tube

If you used the detergent siphoning tube, you must flush it with clean water before stopping the engine.

1. Place chemical injection siphon/filter in a bucket full of clean water.
2. Engage trigger lock on spray gun.
3. Attach black cleaning detergent nozzle.
4. Flush for 1-2 minutes.
5. Shut off engine.
6. **ALWAYS** point gun in a safe direction and squeeze spray gun trigger to release retained high water pressure.

IMPORTANT: Spray gun traps high water pressure, even when engine is stopped and water is disconnected.

Automatic Cool Down System (Thermal Relief)

If you run the engine on your pressure washer for 3-5 minutes without pressing the trigger on the spray gun, circulating water in the pump can reach temperatures above 125°F. The system engages to cool the pump by **discharging the warm water onto the ground.**

SPECIFICATIONS

Rated Pressure	3,700 PSI
Flow Rate	4.0 gallons per minute (gpm)
Detergent	Use detergent approved for pressure washers
Water Supply	
Temperature	Not to exceed 100°F
Automatic Cool Down System	Will cycle when water reaches 125°-155°F
Shipping Weight	155 lbs.

GENERAL MAINTENANCE RECOMMENDATIONS

The pressure washer warranty does not cover items that have been subjected to operator abuse or negligence. To receive full value from the warranty, the operator must maintain the pressure washer as instructed in this manual.

NOTE: Should you have questions about replacing components on your pressure washer, please call **1-800-743-4115** for assistance.

- Some adjustments will need to be made periodically to properly maintain your high pressure washer.
- All maintenance in this manual and the engine operator's manual should be made at least once each season.
- If equipped with inflatable tires, keep the air pressure at the value marked on the tire or within 15 and 40 psi.

Before Each Use

1. Check engine oil level.
2. Check water inlet screen for damage.
3. Check in-line filter for damage.
4. Check high pressure hose for leaks.
5. Check detergent siphoning hose and filter for damage.
6. Check spray gun, nozzle extension, and nozzles for leaks.
7. Rinse out garden hose to flush out debris.

PRESSURE WASHER MAINTENANCE

Check and Clean Inlet Screen

Examine the screen on the water inlet. Clean it if the screen is clogged or replace it if screen is damaged.

Check High Pressure Hose

The high pressure hose can develop leaks from wear, kinking, or abuse. Inspect the hose each time before using it. Check for cuts, leaks, abrasions or bulging of cover, damage or movement of couplings. If any of these conditions exist, replace the hose immediately.



WARNING



The high pressure stream of water that this equipment produces can pierce skin and its underlying tissues, leading to serious injury and possible amputation.

- NEVER repair high pressure hose. Replace it.
- Replacement hose rating MUST exceed maximum pressure rating of unit.

Check Detergent Siphoning Hose

Examine the filter on the detergent siphon hose and clean if clogged. The tube should fit tightly on the barbed fitting. Examine the hose for leaks or tears. Replace the filter or hose if either is damaged.

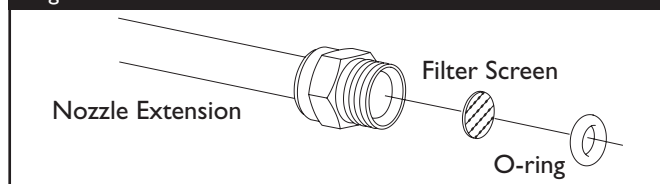
Check Gun and Nozzle Extension

Examine the hose connection to the spray gun and make sure it is secure. Test the trigger by pressing it and making sure it springs back into place when you release it. Put the trigger lock in the on position and test the trigger. You should not be able to press the trigger.

Check In-Line Filter

Refer to Figure 12 and service the in-line filter if it becomes clogged, as follows:

Figure 12 — Clean In-Line Filter



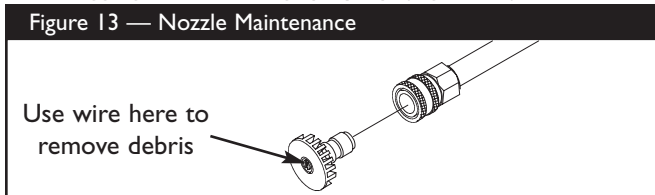
1. Detach spray gun and nozzle extension from high pressure hose. Detach nozzle extension from spray gun and remove o-ring and screen from nozzle extension. Flush screen, spray gun, and adjustable nozzle extension with clean water to clear debris.
2. Place in-line filter screen into threaded end of nozzle extension. Direction does not matter. Push screen in with eraser end of pencil until it rests flat at bottom of opening. Take care to not bend screen.

3. Place o-ring into recess. Push o-ring snugly against in-line filter screen.
4. Assemble nozzle extension to spray gun, as described earlier in this manual.

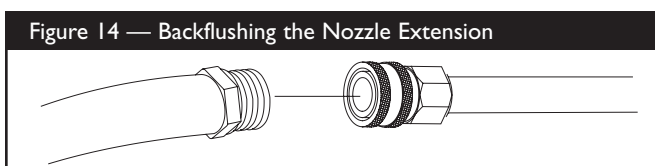
Nozzle Maintenance

A pulsing sensation felt while squeezing the spray gun trigger may be caused by excessive pump pressure. The principal cause of excessive pump pressure is a spray tip clogged or restricted with foreign materials, such as dirt, etc. To correct the problem, immediately clean the spray tips following these instructions:

1. Shut off engine and turn off water supply.
2. Remove spray tip from end of nozzle extension.
3. Remove in-line filter from other end of nozzle extension.
4. Use a small paper clip to free any foreign material clogging or restricting spray tip (Figure 13).



5. Using a garden hose, remove additional debris by back flushing water through nozzle extension (Figure 14). Back flush between 30 to 60 seconds.



6. Reinstall spray tip and in-line filter into nozzle extension.
7. Reconnect nozzle extension to spray gun.
8. Reconnect water supply, turn on water, and start engine.
9. Test pressure washer by operating with each quick connect spray tips.

O-Ring Maintenance

Purchase an O-Ring/Maintenance Kit, part number 191922GS by contacting the nearest authorized service center. It is not included with the pressure washer. This kit includes replacement o-rings, rubber washer and water inlet filter. Refer to the instruction sheet provided in the kit to service your unit's o-rings.

WARNING	
	The high pressure stream of water that this equipment produces can pierce skin and its underlying tissues, leading to serious injury and possible amputation.
<ul style="list-style-type: none"> • NEVER repair leaking connections with sealant of any kind. Replace o-ring or seal. 	

Pump Maintenance

Changing Pump Oil

Change oil after first 50 hours of operation and then every 200 hours or 3 months, whichever occurs first.

NOTE: When changing pump oil, use only high quality nondetergent 30 weight oil. Use no special additives.

Change pump oil as follows:

1. Clean area around brass oil drain plug at bottom of pump.
2. Remove oil drain plug. Drain oil completely into an approved container.
3. When oil has completely drained, install oil drain plug and tighten firmly.
4. Clean area around pump oil dipstick. Remove dipstick and fill pump with recommended oil to "Full" mark on dipstick (typically 0.43L or 15 oz.).
5. Install pump oil dipstick.
6. Wipe up any spilled oil.

ENGINE MAINTENANCE

See the engine operator's manual for instructions on how to properly maintain the engine.

CAUTION	
Avoid prolonged or repeated skin contact with used motor oil.	
<ul style="list-style-type: none"> • Used motor oil has been shown to cause skin cancer in certain laboratory animals. • Thoroughly wash exposed areas with soap and water. 	



KEEP OUT OF REACH OF CHILDREN. DON'T POLLUTE. CONSERVE RESOURCES. RETURN USED OIL TO COLLECTION CENTERS.

PREPARING THE UNIT FOR STORAGE

Water should not remain in the unit for long periods of time. Sediments or minerals can deposit on pump parts and “freeze” pump action. If you do not plan to use the pressure washer for more than 30 days, follow this procedure:

1. Flush detergent siphon hose by placing filter into a pail of clean water while running pressure washer in low pressure mode. Flush for one to two minutes.
2. Shut off engine and let it cool, then remove high pressure and garden hoses. Disconnect spark plug wire from spark plug.
3. Empty pump of liquids by pulling engine recoil handle about 6 times. This should remove most liquid from pump.
4. Use pump saver to prevent corrosion build up and freezing of pump.
5. Store unit in a clean, dry area.

Protecting the Pump

To protect the pump from damage caused by mineral deposits or freezing, use PumpSaver to treat pump. This prevents freeze damage and lubricates pistons and seals.

NOTE: PumpSaver is available as an optional accessory. It is not included with the pressure washer. Contact the nearest authorized service center to purchase PumpSaver.

To use PumpSaver, make sure the pressure washer is turned off and disconnected from supply water. Read and follow all instructions and warnings given on the PumpSaver container.

CAUTION

You must protect your unit from freezing temperatures.

- Failure to do so will permanently damage your pump and render your unit inoperable.
- Freeze damage is not covered under warranty.



CAUTION

Read and follow all cautions and warnings on the PumpSaver can label.

- Always wear eye protection when using PumpSaver.

CAUTION

PumpSaver will drip from pump after treatment and will stain wood and concrete.

- Protect surfaces from dripping PumpSaver.

NOTE: If PumpSaver is not available, draw RV antifreeze (non-alcohol) into the pump by pouring the solution into a 3-foot section of garden hose connected to inlet adapter and pulling recoil handle twice.

STORING THE ENGINE

See the engine operator’s manual for instructions on how to properly prepare the engine for storage.

TROUBLESHOOTING

Problem	Cause	Correction
Pump has following problems: failure to produce pressure, erratic pressure, chattering, loss of pressure, low water volume.	<ol style="list-style-type: none"> 1. Low pressure spray tip installed. 2. Water inlet is blocked. 3. Inadequate water supply. 4. Inlet hose is kinked or leaking. 5. Clogged inlet hose strainer. 6. Water supply is over 100°F. 7. High pressure hose is blocked or leaks. 8. Gun leaks. 9. Spray tip is obstructed. 10. Pump is faulty. 	<ol style="list-style-type: none"> 1. Replace spray tip with high pressure spray tip. 2. Clear inlet. 3. Provide adequate water flow. 4. Straighten inlet hose, patch leak. 5. Check and clean inlet hose strainer. 6. Provide cooler water supply. 7. Clear blocks in outlet hose. 8. Replace gun. 9. Clean spray tip. 10. Contact authorized service facility.
Detergent fails to mix with spray.	<ol style="list-style-type: none"> 1. Detergent siphoning hose is not submerged. 2. Detergent filter is clogged or cracked. 3. Dirty in-line filter. 4. High pressure spray tip installed. 	<ol style="list-style-type: none"> 1. Insert detergent siphoning hose into detergent. 2. Clean or replace filter/detergent siphoning hose. 3. See "Check In-Line Filter". 4. Replace spray tip with low pressure spray tip.
Engine shuts down during operation.	Out of gasoline.	Fill fuel tank.

BRIGGS & STRATTON POWER PRODUCTS GROUP, LLC PRESSURE WASHER OWNER WARRANTY POLICY

Effective February 1, 2006 replaces all undated Warranties and all Warranties dated before February 1, 2006

LIMITED WARRANTY

Briggs & Stratton Power Products Group, LLC will repair or replace, free of charge, any part(s) of the pressure washer that is defective in material or workmanship or both. Transportation charges on product submitted for repair or replacement under this warranty must be borne by purchaser. This warranty is effective for the time periods and subject to the conditions stated below. For warranty service, find the nearest Authorized Service Dealer in our dealer locator map at www.briggspowerproducts.com.

THERE IS NO OTHER EXPRESS WARRANTY. IMPLIED WARRANTIES, INCLUDING THOSE OF MERCHANTABILITY AND FITNESS FOR A PARTICULAR PURPOSE, ARE LIMITED TO ONE YEAR FROM PURCHASE, OR TO THE EXTENT PERMITTED BY LAW ANY AND ALL IMPLIED WARRANTIES ARE EXCLUDED. LIABILITY FOR INCIDENTAL OR CONSEQUENTIAL DAMAGES ARE EXCLUDED TO THE EXTENT EXCLUSION IS PERMITTED BY LAW. Some states or countries do not allow limitations on how long an implied warranty lasts, and some states or countries do not allow the exclusion or limitation of incidental or consequential damages, so the above limitation and exclusion may not apply to you. This warranty gives you specific legal rights and you may also have other rights which vary from state to state or country to country.

WARRANTY PERIOD

Consumer Use	2 years
Commercial Use	2 years

The warranty period begins on the date of purchase by the first retail consumer or commercial end user, and continues for the period of time stated above. "Consumer use" means personal residential household use by a retail consumer. "Commercial use" means all other uses, including use for commercial, income producing or rental purposes. Once equipment has experienced commercial use, it shall thereafter be considered as commercial use for purposes of this warranty.

NO WARRANTY REGISTRATION IS NECESSARY TO OBTAIN WARRANTY ON BRIGGS & STRATTON PRODUCTS. SAVE YOUR PROOF OF PURCHASE RECEIPT. IF YOU DO NOT PROVIDE PROOF OF THE INITIAL PURCHASE DATE AT THE TIME WARRANTY SERVICE IS REQUESTED, THE MANUFACTURING DATE OF THE PRODUCT WILL BE USED TO DETERMINE THE WARRANTY PERIOD.

ABOUT YOUR WARRANTY

We welcome warranty repair and apologize to you for being inconvenienced. Any Authorized Service Dealer may perform warranty repairs. Most warranty repairs are handled routinely, but sometimes requests for warranty service may not be appropriate. For example, warranty service would not apply if equipment damage occurred because of misuse, lack of routine maintenance, shipping, handling, warehousing or improper installation. Similarly, the warranty is void if the manufacturing date or the serial number on the pressure washer or engine has been removed or the equipment has been altered or modified. During the warranty period, the Authorized Service Dealer, at its option, will repair or replace any part that, upon examination, is found to be defective under normal use and service. This warranty will not cover the following repairs and equipment:

- **Normal Wear:** Outdoor Power Equipment, like all mechanical devices, needs periodic parts and service to perform well. This warranty does not cover repair when normal use has exhausted the life of a part or the equipment.
- **Installation and Maintenance:** This warranty does not apply to equipment or parts that have been subjected to improper or unauthorized installation or alteration and modification, misuse, negligence, accident, overloading, overspeeding, improper maintenance, repair or storage so as, in our judgment, to adversely affect its performance and reliability. This warranty also does not cover normal maintenance such as air filters, adjustments, fuel system cleaning and obstruction (due to chemical, lime, dirt, and so forth).
- **Other Exclusions:** This warranty excludes wear items such as quick couplers, seals, o-rings, pumps that have been run without water supplied or damage or malfunctions resulting from accidents, abuse, modifications, alterations, or improper servicing or freezing or chemical deterioration. Accessory parts, such as guns, hoses, nozzle extensions (wands), and nozzles, are excluded from the product warranty. This warranty excludes used, reconditioned, and demonstration equipment and failures due to acts of God and other force majeure events beyond the manufacturers control.


BRIGGS & STRATTON POWER PRODUCTS GROUP, LLC
JEFFERSON, WI, USA

CONSERVE ESTAS INSTRUCCIONES

TABLA DE CONTENIDOS

Sección 1 - Reglas De Seguridad 20-23
 Sección 2 - Características y Controles 24
 Sección 3 - Montaje 25-27
 Sección 4 - Operación 28-31
 Sección 5 - Especificaciones Del Producto 32
 Sección 5 - Mantenimiento 32-33
 Sección 6 - Almacenamiento 34
 Sección 7 - Diagnosticos De Averías 35
 Garantía 36


DESCRIPCIÓN DEL EQUIPO


 **Lea este manual de manera cuidadosa y familiarícese con su lavadora de presión. Conozca sus usos, sus limitaciones y cualquier peligro relacionado con el mismo.**


Este manual contiene información referente el lavador a alta presión que funciona a 3,700 psi, a un promedio de flujo de 4.0 galones por minuto. Este sistema profesional de alto poder y de alta calidad, posee una llanta de 13 pulgadas, una bomba equipada con un sistema de enfriamiento, un sistema de inyección química, una extensión de lanzas que se pueden conectar rápidamente, gafas de seguridad, una manguera de alta resistencia de 50 pies y muchísimo más.

Se ha hecho cada esfuerzo posible para asegurarse que la información que aparece en este manual es exacta y se encuentra actualizada. Sin embargo, nosotros se reserva el derecho a cambiar, alterar o de otra manera mejorar, el producto y este documento en cualquier momento, sin previo aviso.

REGLAS DE SEGURIDAD


 **Éste es el símbolo de alerta de seguridad. Sirve para advertir al usuario de un posible riesgo para su integridad física. Siga todos los mensajes de seguridad que figuren después de este símbolo para evitar lesiones o incluso la muerte.**



El símbolo de alerta de seguridad () es usado con una palabra (PELIGRO, ADVERTENCIA, PRECAUCIÓN), un mensaje por escrito o una ilustración, para alertarlo acerca de cualquier situación de peligro que pueda existir. **PELIGRO** indica un riesgo el cual, si no se evita, *causará* la muerte o una herida grave. **ADVERTENCIA** indica un riesgo el cual, si no se evita, *puede* causar la muerte o una herida grave. **PRECAUCIÓN** indica un riesgo, el cual, si no se evita, *puede* causar heridas menores o moderadas. **PRECAUCIÓN**, cuando se usa **sin** el símbolo de alerta, indica una situación que podría resultar en el daño del equipo. Siga los mensajes de seguridad para evitar o reducir los riesgos de heridas e inclusive la muerte.



 ADVERTENCIA
El escape del motor de este producto contiene elementos químicos reconocidos en el Estado de California por producir cáncer, defectos de nacimiento u otros daños de tipo reproductivo.

Símbolos de Peligro y Significados

		
Manual del Operario	Gases Tóxicos	Descarga Eléctrica
		
Superficies Resbalosas	Caer	Inyección Líquida
		
Fuego	Explosión	Superficie Caliente
		
Partes en Movimiento	Objetos Voladores	Contragolpe

⚠ ADVERTENCIA	
	<p>Al motor funcionar, se produce monóxido de carbono, un gas inodoro y venenoso.</p> <p>El respirar el monóxido de carbono, producirá náusea, desmayo o la muerte.</p> <p>Algunas sustancias químicas o los detergentes pueden ser perjudiciales si inhalados o ingeridos, causando la náusea severa, desmayando o para envenenar.</p>
<ul style="list-style-type: none"> • Opere el lavadora de presión SOLAMENTE al aire libre. • Asegúrese de que los gases de escape no puedan entrar por ventanas, puertas, tomas de aire de ventilación u otras aberturas en un espacio cerrado en el que puedan acumularse. • NO opere el lavadora de presión dentro de un edificio o lugar cerrado, aunque haya puertas o ventanas abiertas. • Utilice un respirador o máscara siempre que exista la posibilidad de inhalar vapores. • Lea todas las instrucciones de la máscara para asegurarse de que le brindará la protección necesaria contra la inhalación de vapores nocivos. 	

⚠ ADVERTENCIA	
	<p>El uso de lavadora de presión puede crear los charcos y superficies resbalosas.</p>
	<p>El rociado de la alta presión podría hacerlo caer si está muy cerca de la superficie de limpieza.</p>
<ul style="list-style-type: none"> • Mantenga la boquilla de rociado de 8 a 24 pulgadas de la superficie de limpieza. • Opere y almacene esta unidad sobre una superficie estable. • El área de limpieza deberá tener inclinaciones y drenajes adecuados para disminuir la posibilidad de caídas debido a superficies resbalosas. • Sea extremadamente cuidadoso si usa la máquina lavadora a presión desde una escalera, andamio o cualquier superficie relativamente inestable. • Sujete firmemente la pistola rociadora con ambas manos cuando aplique un rociado a alta presión para evitar lesiones cuando se produzca el retroceso de la pistola. 	

⚠ ADVERTENCIA	
	<p>La gasolina y sus vapores son extremadamente inflamables y explosivos.</p>
	<p>El fuego o una explosión pueden causar quemaduras severas e inclusive la muerte.</p>
CUANDO AÑADA COMBUSTIBLE	
<ul style="list-style-type: none"> • Apague el lavadora de presión (posición OFF) y déjelo enfriar al menos por 2 minutos antes de remover la tapa de la gasolina. • Llene el tanque al aire libre. • NO llene demasiado el tanque. Permita al menos espacio para la expansión del combustible. • Mantenga la gasolina alejada de chispas, llamas abiertas, pilotos, calor y otras fuentes de ignición. • NO encienda un cigarrillo o fume. 	
CUANDO OPERE EL EQUIPO	
<ul style="list-style-type: none"> • NO incline el motor o el equipo, de tal manera que la gasolina se pueda derramar. • NO rocíe líquidos inflamables. 	
CUANDO TRANSPORTE O REPARE EL EQUIPO	
<ul style="list-style-type: none"> • Transporte o repare el equipo con el tanque de combustible vacío, o con la válvula para apagar el combustible, apagada (posición OFF). 	
CUANDO ALMACENE O GUARDE EL EQUIPO CON COMBUSTIBLE EN EL TANQUE	
<ul style="list-style-type: none"> • Almacene alejado de calderas, estufas, calentadores de agua, secadoras de ropa u otros aparatos electrodomésticos que posean pilotos u otras fuentes de ignición, porque ellos pueden encender los vapores de la gasolina. 	

⚠ ADVERTENCIA	
	<p>El contacto del rocío con alambrado eléctrico puede tener como resultado electrocución.</p>
<ul style="list-style-type: none"> • Mantenga el chorro del agua alejado de alambrados eléctricos, de lo contrario podrían ocurrir descargas eléctricas fatales. 	

⚠ ADVERTENCIA

El rápido repliegue del cable del arrancador (retroceso) impedirá que el usuario suelte el cable a tiempo y tirará de su mano y brazo hacia el motor.

Como resultado, podrían producirse fracturas, contusiones o esguinces.

- Antes de arrancar el motor, apunte SIEMPRE con la pistola rociadora hacia una dirección segura y apriete el gatillo para descargar la presión y evitar el retroceso.
- Cuando arranque el motor, tire lentamente del cable hasta sentir una resistencia y, a continuación, tire rápidamente de él para evitar su retroceso.
- Después que cada tentativa que empieza, donde motor falla de correr, siempre señalar el fusil en la dirección segura y el disparador del fusil del rocío del estrujón para liberar la presión alta.
- Sujete firmemente la pistola rociadora con ambas manos cuando aplique un rociado a alta presión para evitar lesiones cuando se produzca el retroceso de la pistola.

⚠ ADVERTENCIA

Los motores al funcionar producen calor. La temperatura del silenciador y de las áreas cercanas puede alcanzar o pasar los 150°F (65°C).

Quemaduras severas pueden ocurrir al hacer contacto.



Los gases y el calor de escape pueden inflamar los materiales combustibles y las estructuras o dañar el depósito de combustible y provocar un incendio.

- NO toque las superficies calientes y evite los gases del escape a alta temperatura.
- Permita que el equipo se enfríe antes de tocarlo.
- Deje un espacio mínimo de 152 cm (5 pies) alrededor del lavadora a presión, incluida la parte superior.
- El Código de Normativa Federal (CFR, Título 36: Parques, Bosques y Propiedad Pública) obliga a instalar una pantalla apagachispas en los equipos con motor de combustión interno y a mantenerla en buenas condiciones de funcionamiento, conforme a la norma 5100-1C (o posterior) del Servicio Forestal de la USDA. En el Estado de California, la ley exige el uso de una pantalla apagachispas (Sección 4442 del Código de Recursos Públicos de California). En otros estados puede haber leyes similares en vigor.

⚠ ADVERTENCIA

El arrancador y otras piezas que rotan pueden enredar las manos, el pelo, la ropa, o los accesorios.

- NO use ropa suelta, joyas o elementos que puedan quedar atrapados en el arranque o en otras partes rotatorias.
- Ate para arriba el pelo largo y quite la joyería.

⚠ ADVERTENCIA

La corriente de agua de alta presión que produce este equipo pueden perforar la piel y sus tejidos profundos, ocasionando lesiones serias y posible amputación.

La pistola rociadora contiene agua a alta presión incluso con el motor parado y el agua desconectada, que puede causar la herida.

- NUNCA apunte la pistola a la gente, animales o plantas.
- NO permita en ningún momento que NIÑOS operen la máquina lavadora a presión.
- NUNCA repare la manguera de alta presión. Remplacela.
- NUNCA utilice ningún tipo de sellador para reparar una fuga en una conexión. Sustituya la junta tórica o la junta.
- Mantenga conectada la manguera a la máquina o a la pistola de rociado cuando el sistema esté presurizado.
- SIEMPRE que pare el motor, apunte con la pistola rociadora hacia una dirección segura y apriete el gatillo para descargar la presión y evitar el retroceso. Active el seguro del gatillo cuando no utilice la pistola.

⚠ ADVERTENCIA

El rociado de alta presión puede hacer que partículas pequeñas de pintura u otras partículas salgan disparadas y viajen a altas velocidades.

- Utilice siempre gafas de protección cuando utilice este equipo o si se encuentra cerca de donde se está utilizando.
- Antes de poner en marcha la limpiadora a presión, asegúrese de llevar gafas de protección adecuadas.

⚠ ADVERTENCIA

Chispear involuntario puede tener como resultado el fuego o el golpe eléctrico.

**CUANDO AJUSTE O HAGA REPARACIONES A SU MÁQUINA LAVADORA DE PRESIÓN**

- Siempre desconecte el alambre de la bujía y colóquelo donde no pueda entrar en contacto con la bujía.

CUANDO PRUEBE LA BUJÍA DEL MOTOR

- Utilice un comprobador de bujías homologado.
- NO compruebe la chispa sin la bujía instalada.



PRECAUCIÓN

Hacer funcionar el motor a velocidades excesivas aumenta el riesgo de lesiones personales.

- NO juegue con partes que puedan aumentar o disminuir la velocidad de mando.
- NO opere la máquina lavadora a presión con un valor de presión superior a su clasificación de presión.



PRECAUCIÓN

El lavadora de presión produce un rocío alto de la presión cuál riesgo de aumentos de la herida y dañe a la unidad.

- NO asegure la pistola de rociado en la posición (open = abierto).
- NO abandone la pistola de rociado cuando la máquina esté en funcionamiento.
- NUNCA utilice una pistola de rociado que no tenga un seguro para gatillo o protección para gatillo en su lugar y en buenas condiciones.
- Siempre asegúrese de que la pistola de rociado, boquillas y accesorios estén conectados correctamente.

PRECAUCIÓN

El rociado de alta presión puede dañar elementos frágiles, incluyendo el vidrio.

- NO apunte la pistola de rociado al vidrio cuando esté en el modo de rociado a chorro.
- NUNCA apunte la pistola a plantas.

PRECAUCIÓN

El tratamiento inadecuado del lavadora de presión puede dañarlo y acortar su vida productiva.

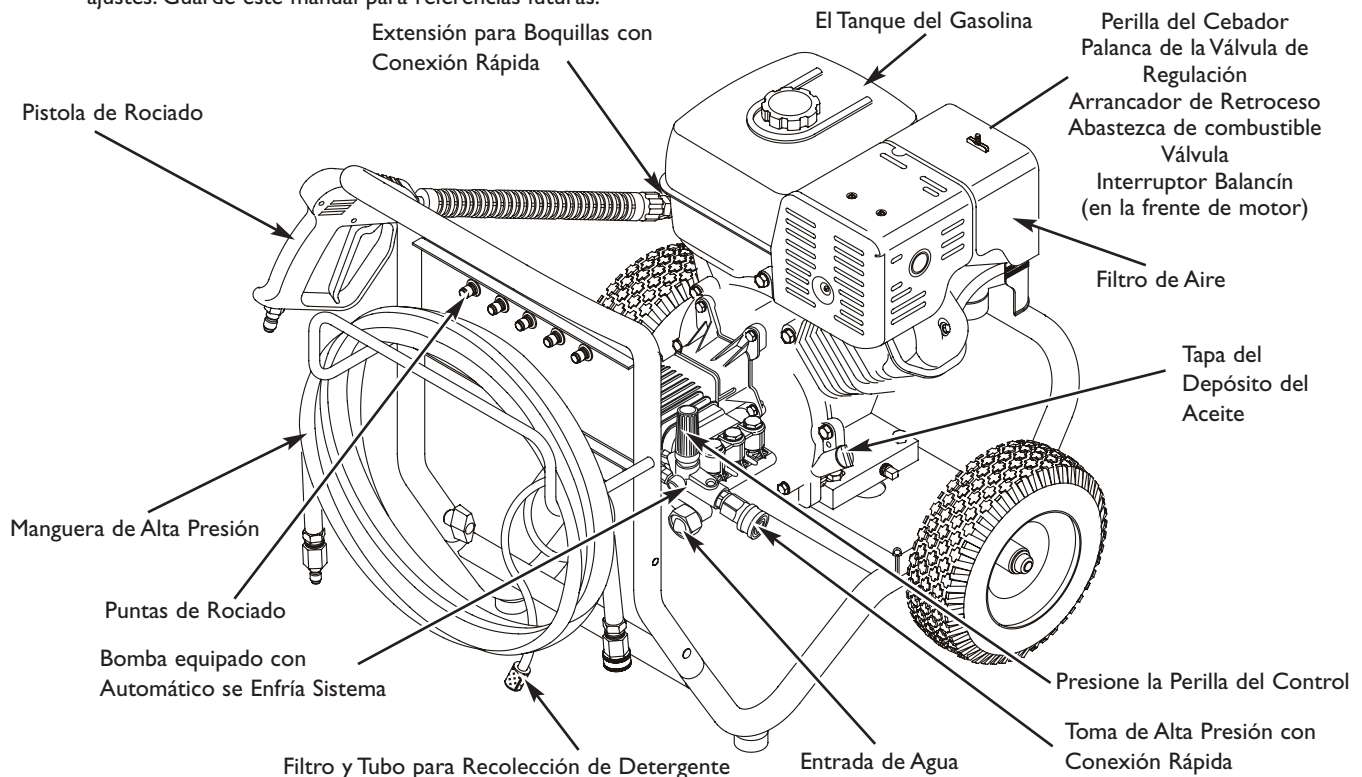
- Si usted tiene alguna pregunta acerca de las finalidades de uso del generador, pregúntele a su concesionario o contacte a Briggs & Stratton Power Products.
- NUNCA deberán ser operadas las unidades con partes rotas o ausentes, o sin la caja o cubiertas de protección.
- NO eluda ningún dispositivo de seguridad de esta máquina.
- Antes de poner en marcha la máquina lavadora a presión en clima frío, revise todas las partes del equipo y asegúrese de que no se haya formado hielo sobre ellas.
- NUNCA mueva la máquina halando la manguera de alta presión. Utilice la manija que viene con la unidad.
- Revise que el sistema de combustible no presente fugas o signos de deterioro, como mangueras desgastadas o porosas, sujetadores flojos o ausentes, tapa o tanque dañados. Corrija todos los defectos antes de operar la máquina lavadora a presión.
- El equipo de alta presión está diseñado para ser utilizado UNICAMENTE con las partes autorizadas Briggs & Stratton Power Products. Si utiliza este equipo con partes que no cumplan con las especificaciones mínimas, el usuario asume todos los riesgos y responsabilidades.

CONOZCA SU MAQUINA LAVADORA DE PRESION



Lea el manual del operario y las reglas de seguridad antes de poner en marcha su máquina lavadora a presión.

Compare las ilustraciones con su máquina lavadora a presión para familiarizarse con las ubicaciones de los diferentes controles y ajustes. Guarde este manual para referencias futuras.



Abastecza de combustible Válvula - Esté acostumbrado a prender el combustible y lejos al motor.

Arrancador de Retroceso - Usado para arrancar el motor manualmente.

Automático se Enfría Sistema - Los ciclos regan por bomba cuando agua alcanza 125°-155°F. Entibiar agua descargará de la bomba en el suelo. Este sistema previene el daño interno de bomba.

Bomba - Desarrolla alta presión de agua.

El Tanque del Gasolina - Llene el tanque con gasolina regular sin contenido de plomo en este punto.

Entrada de Agua - Conexión para la manguera de jardín.

Extensión para Boquillas con Conexión Rápida - Le permite usar cinco boquillas de rociado diferentes.

Filtro de Aire - El elemento de filtro tipo seco limita la cantidad de suciedad y polvo que se introduce en el motor.

Filtro y Tubo para Recolección de Detergente - Usado para succionar detergente de la botella de detergente a la corriente de agua de baja presión.

Interruptor Balancín - Deberá estar en la posición "Run" (Corra) para darle arranque al motor. Colóquelo en la posición "Stop" (Parada) para detener un motor en funcionamiento.

Manguera de Alta Presión - Conecte un extremo a la pistola de rociado y el otro extremo a la toma de alta presión.

Palanca de Control de la Válvula de Regulación - Coloca el motor en modo de arranque para el arrancador de retroceso.

Perilla del Cebador - Usada para arranque de motores fríos.

Pistola de Rociado - Controla la aplicación de agua sobre la superficie de limpieza con el gatillo. Incluye cerrojo de seguridad.

Presione la Perilla del Control - Varía la presión del rocío alto de la presión.

Puntas de Rociado - Inyección de detergente, 0°, 15°, 25°, 40°: para diferentes alta presión aplicaciones de limpieza.

Tapa del Depósito del Aceite - Llene el motor con aceite aquí.

Toma de Alta Presión con Conexión Rápida - Conexión para la manguera de alta presión.

MONTAJE

IMPORTANTE: Lea totalmente el manual del operario antes que intente ensamblar u operar su lavadora presión.

Remueva el Lavador a Presión del Empaque

1. Remueva la manguera a alta presión y la caja con las piezas, incluidas con el lavador de presión.
2. Corte dos esquinas en los extremos del cartón desde la parte superior hasta la parte inferior, de tal manera que el pánel pueda ser doblado en forma plana, luego quite todo el material de embalaje.
3. Ruede el lavador a alta presión fuera de la caja.

Contenido de la Caja

Los artículos que se encuentran en la caja son:

- Unidad principal
- Manguera de alta presión
- Manecilla
- Pistola rociadora con las piezas de conexión rápida
- Extensión de la lanza con las piezas de conexión rápida
- Aceite para motor
- Caja de accesorios (incluye lo siguiente):
 - Tarjeta de registro del propietario
 - Bolsa con 5 lanzas de conexiones rápidas multicolores
 - Gafas de seguridad
 - Manual del operario
 - Manual del operario del motor
 - Tarjeta de garantía de control de emisiones
 - Piezas para la manubrio (incluye lo siguiente):
 - Pernos del Soporte (2)
 - Perilla Plástica (2)

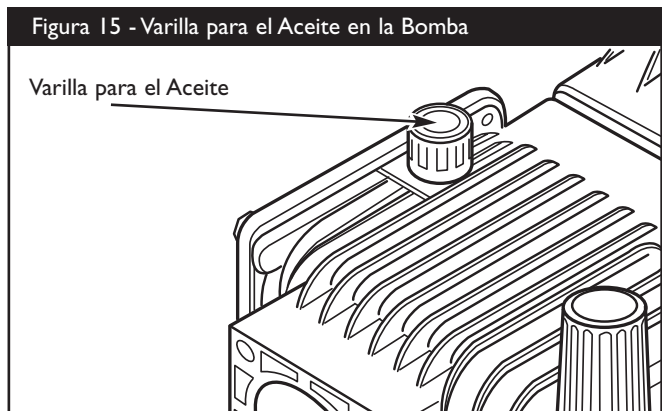
Si una de las partes que se mencionan arriba se encuentran dañadas o hacen falta, llame a la línea directa del lavadora presión, al **1-800-743-4115**.

PREPARANDO EL LAVADORA PRESIÓN PARA SU USO

Si usted tiene un problema al ensamblar la unidad o si hacen falta algunas piezas o se encuentran dañadas, llame a la línea directa del lavadora presión, al **1-800-743-4115**.

A prepara su arandela de la presión para la operación, usted necesitará a realiza estas tareas:

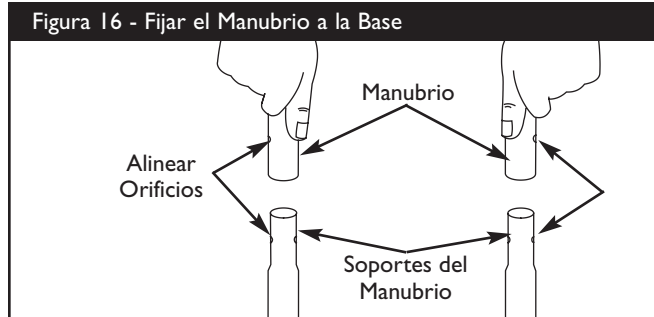
1. Llene y mande en tarjeta de matrícula.
2. Verifique la varilla para el aceite es instale en la bomba (Figura 15).



3. Conecte manubrio a unidad principal.
4. Añada aceite al motor.
5. Añada gasolina al tanque de combustible.
6. Conecte manguera a alta presión a pistola rociadora y a bomba.
7. Conecte el suministro de agua a bomba.
8. Conecte boquilla la extensión al pistola rociadora.
9. Selecto/conecta rápido conecta boquilla a la extensión de la boquilla.

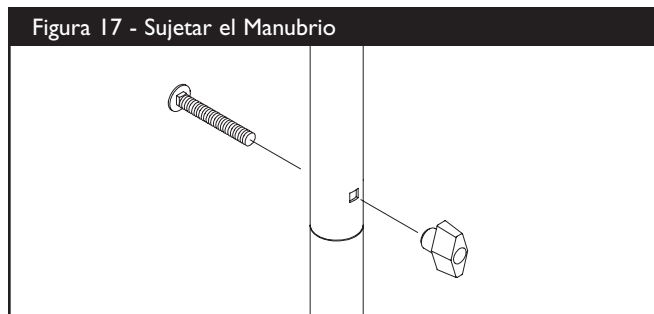
Conecte el Manubrio

1. Coloque el manubrio sobre los soportes del mismo que ya están adheridos a la unidad principal. Asegúrese de que los orificios en el manubrio estén alineados con los orificios en los soportes del mismo manubrio (Figura 16).



NOTA: Tal vez será necesario mover los soportes del manubrio de un lado a otro para alinear el manubrio de tal manera que pueda deslizarse sobre los soportes del mismo manubrio.

2. Inserte el perno del soporte a través de los orificios desde fuera de la unidad y sujete una perilla de plástico desde el interior de la misma unidad. Apriete manualmente (Figura 17).



3. Inserte las lanzas multicolores en los espacios provistos en la manecilla.

Agregar Aceite al Motor y Gasolina

- Coloque la lavadora a presión sobre una superficie nivelada.

PRECAUCIÓN

Cualquier intento para arrancar el motor antes de haberle proporcionado el mantenimiento apropiado con el aceite recomendado, podría ocasionar la falla del motor.

- Consulte el manual del operario del motor para añadir al motor el aceite y el combustible recomendado
- El daño a la lavadora a presión, resultado de la desatención a esta precaución, no será cubierto por la garantía.

- Consulte el manual del operario del motor para añadir al motor el aceite y el combustible recomendado.

NOTA: Verifique el aceite del motor de manera frecuente cuando éste se esfuerce demasiado. Consulte el manual del operario del motor para conocer cuáles son las recomendaciones al respecto.

Conecte la Manguera y el Suministro de Agua a la Bomba

IMPORTANTE: Usted deberá armar la extensión para boquillas y conectar todas las mangueras antes de darle arranque al motor. La bomba resultará dañada si arranca el motor sin tener todas las mangueras conectadas y el suministro agua abierto.

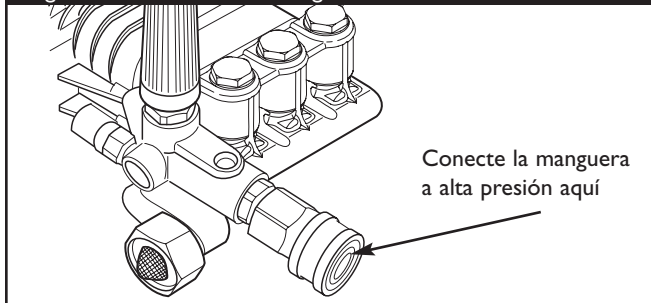
1. Retroceda la manguera a alta presión y conecte el extremo de la conexión rápida de la manguera a la base de la pistola rociadora (Figura 18). Hale el collar de la conexión rápida, deslícelo en la pistola rociadora y suelte el collar. Hálo en la manguera para asegurarse de que este conectado firmemente.



NOTA: Retire y deseche todos los tapones de transporte de la bomba antes de conectar las mangueras.

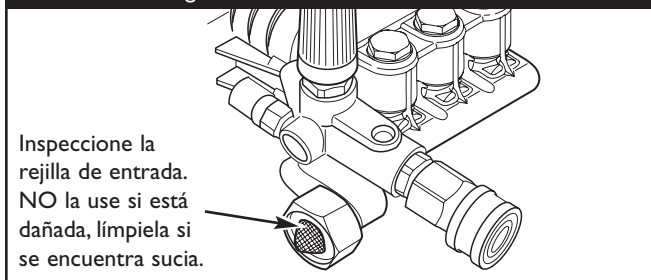
- De la misma manera, conecte el otro extremo de la manguera a alta presión, a la salida de alta presión de la bomba (Figura 19). Hale el collar de la conexión rápida, deslícelo en la bomba y suelte el collar. Hale la manguera para asegurarse que esta bien conectada.

Figura 19 — Conecte la Manguera a Alta Presión, a la Bomba



- Antes de que conecte la manguera de jardín a la entrada de agua, inspeccione el colador de la entrada (Figura 20). Limpie el colador si tiene residuos o solicite su remplazo si está dañado. **NO haga funcionar la máquina lavadora a presión si el colador de la entrada está dañado.**

Figura 20 - Conecte la Manguera para el Jardín, a la Entrada de Agua



- Haga correr el agua a través de la manguera de su jardín por 30 segundos para limpiar cualquier escombros que se encuentre en ella. Desconecte el agua.

IMPORTANTE: Hace no agua de parar de siphon para el abastecimiento de agua. Use agua SOLO fría (menos que 100°F).

- Conecte la manguera de jardín (no exceder 50 pies en la longitud) a la entrada del agua. Apriete con la mano (Figura 20).

PRECAUCIÓN

DEBE haber por lo menos diez pies de manguera de jardín libre entre la entrada de agua de la lavadora a presión y cualquier dispositivo de control de flujo de agua, sea el caso de un conector 'Y' o de cualquier otro tipo de válvula.

- El daño a la lavadora a presión, resultado de la desatención a esta precaución, no será cubierto por la garantía.

- ABRA el agua, apunte con la pistola hacia una dirección segura y apriete el gatillo para eliminar el aire y las impurezas del sistema de bombeo.



ADVERTENCIA



El rociado de alta presión puede hacer que partículas pequeñas de pintura u otras partículas salgan disparadas y viajen a altas velocidades.

- Utilice siempre gafas de protección cuando utilice este equipo o si se encuentra cerca de donde se está utilizando.
- Antes de poner en marcha la limpiadora a presión, asegúrese de llevar gafas de protección adecuadas.

Lista de Revision Previa al Arranque del Motor

Revise la unidad para asegurarse que ha llevado a cabo los siguientes procedimientos:

- Cerchiórese el manecilla es seguro.
- Revise que haya sido depositado aceite y esté al nivel correcto en la caja del cigüeñal del motor.
- Deposite la gasolina adecuada en el tanque del combustible.
- Revise que todas las conexiones de las mangueras (alta presión y suministro de agua) estén apretadas correctamente y que no existan dobleces, cortes o daño de la manguera de alta presión.
- Proporcione el suministro de agua adecuado (que no exceda los 100°F).
- Asegúrese de leer las secciones "Reglas de Seguridad" y "Cómo Darle Arranque a su Lavadora a Presión" antes de usar la máquina lavadora a presión.

CÓMO USAR SU LAVADORA A PRESIÓN

Si tiene problemas operando su máquina lavadora a presión, por favor llame a la línea de ayuda para máquinas lavadoras a presión al **1-800-743-4115**.

Ubicación del Lavadora a Presión

Espacio Libre Alrededor del Lavadora a Presión

⚠ ADVERTENCIA



Los gases y el calor de escape pueden inflamar los materiales combustibles y las estructuras o dañar el depósito de combustible y provocar un incendio.

- Deje un espacio mínimo de 152 cm (5 pies) alrededor del lavadora a presión, incluida la parte superior.

Sítue el lavadora a presión en una zona bien ventilada que permita la eliminación de los gases de escape mortales. **NO** instale el lavadora a presión en lugares en los que los gases de escape se puedan acumular o entrar en un edificio que pueda estar ocupado. Asegúrese de que los gases de escape no puedan entrar por ventanas, puertas, tomas de aire de ventilación u otras aberturas en un espacio cerrado en el que puedan acumularse (Figura 21). Tenga en cuenta los vientos y las corriente de aire preponderantes cuando elija la ubicación del lavadora a presión.

⚠ ADVERTENCIA

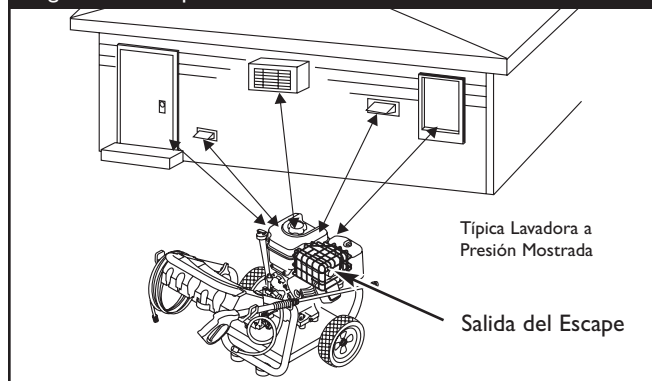


Al motor funcionar, se produce monóxido de carbono, un gas inodoro y venenoso.

El respirar el monóxido de carbono, producirá náusea, desmayo o la muerte.

- Opere el lavadora de presión **SOLAMENTE** al aire libre.
- Asegúrese de que los gases de escape no puedan entrar por ventanas, puertas, tomas de aire de ventilación u otras aberturas en un espacio cerrado en el que puedan acumularse.
- **NO** opere el lavadora de presión dentro de un edificio o lugar cerrado, aunque haya puertas o ventanas abiertas.

Figura 21 — Espacio Libre Alrededor del Lavadora a Presión



Cómo Darle Arranque a su Lavadora a Presión

Para darle arranque a su máquina lavadora a presión movida a motor por primera vez, siga estas instrucciones paso a paso. Esta información acerca del arranque inicial también se aplica cuando vaya a darle arranque al motor después de haber dejado de la máquina lavadora a presión fuera de uso por al menos un día.

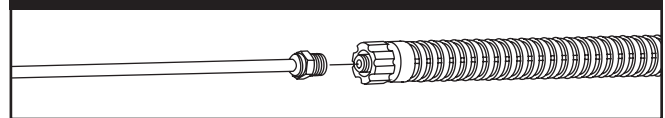
1. Coloque la máquina lavadora a presión en un área cercana a una suministro de agua exterior capaz de abastecer agua a un volumen mayor de 5.0 galones por minuto en no menos que 20 PSI en el fin de arandela de presión de la manga del jardín.
2. Asegúrese que la unidad esté nivelada.
3. Revise que la manguera de alta presión se encuentre conectada firmemente a la pistola de rociado y a la bomba. Vea "Preparando el Lavador a Presión Para su Uso".
4. Conecte la manguera de jardín a la entrada del agua. Apriétela con la mano.
5. **ABRA** el agua, apunte con la pistola hacia una dirección segura y apriete el gatillo para eliminar el aire y las impurezas del sistema de bombeo.

PRECAUCIÓN

NO haga funcionar la bomba si no tiene el suministro conectado y abierto.

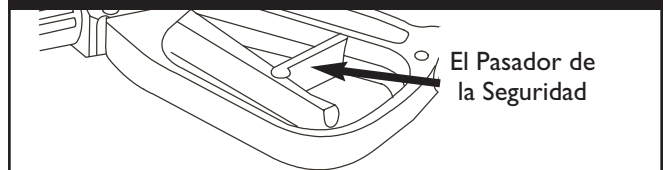
- El daño a la lavadora a presión, resultado de la desatención a esta precaución, no será cubierto por la garantía.
6. Conecte la extensión de la lanza a la pistola rociadora. Apriétela con las manos (Figura 22).

Figura 22 - Conecte la Extensión de la Lanza a la Pistola Rociadora



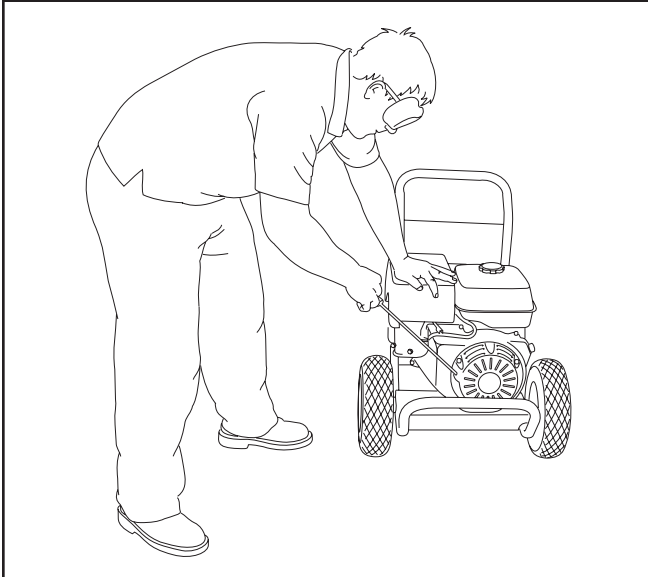
7. Seleccione la punta de rociado de conexión rápida que usted desee e insértela en el extremo de la extensión de la lanza (Vea "Como usar las Punta de Rociado").
8. Coloque el pasador de seguridad al gatillo de la pistola rociadora (Figura 23).

Figura 23 - La Pistola Rociadora con el Pasador de Seguridad en su Posición



9. Cuando arranque el motor, colóquese en la posición recomendada en la Figura 24 y siga las instrucciones del manual del usuario del motor. Consulte también la etiqueta de instrucciones situada en la limpiadora a presión.

Figura 24 - Posición Recomendada para el Arranque



⚠ ADVERTENCIA



El rápido repliegue del cable del arrancador (retroceso) impedirá que el usuario suelte el cable a tiempo y tirará de su mano y brazo hacia el motor. Como resultado, podrían producirse fracturas, contusiones o esguinces.

- Antes de arrancar el motor, apunte SIEMPRE con la pistola rociadora hacia una dirección segura y apriete el gatillo para descargar la presión y evitar el retroceso.
- Cuando arranque el motor, tire lentamente del cable hasta sentir una resistencia y, a continuación, tire rápidamente de él para evitar su retroceso.
- Después de cada tentativa que empieza, donde motor falla de correr, siempre señalar el fusil en la dirección segura y el disparador del fusil del rocío del estrujón para liberar la presión alta.
- Sujete firmemente la pistola rociadora con ambas manos cuando aplique un rociado a alta presión para evitar lesiones cuando se produzca el retroceso de la pistola.

NOTA: Siempre mantenga el control de válvula de admisión en el "Rápido" ("Fast") posición cuando operar la arandela de la presión.

⚠ ADVERTENCIA



Los motores al funcionar producen calor. La temperatura del silenciador y de las áreas cercanas puede alcanzar o pasar los 150°F (65°C).

Quemaduras severas pueden ocurrir al hacer contacto.



Los gases y el calor de escape pueden inflamar los materiales combustibles y las estructuras o dañar el depósito de combustible y provocar un incendio.

- NO toque las superficies calientes y evite los gases del escape a alta temperatura.
- Permita que el equipo se enfríe antes de tocarlo.
- Deje un espacio mínimo de 152 cm (5 pies) alrededor del lavadora a presión, incluida la parte superior.
- El Código de Normativa Federal (CFR, Título 36: Parques, Bosques y Propiedad Pública) obliga a instalar una pantalla apagachispas en los equipos con motor de combustión interno y a mantenerla en buenas condiciones de funcionamiento, conforme a la norma 5100-1C (o posterior) del Servicio Forestal de la USDA. En el Estado de California, la ley exige el uso de una pantalla apagachispas (Sección 4442 del Código de Recursos Públicos de California). En otros estados puede haber leyes similares en vigor.

Cómo Parar su Lavador a Presión

1. Espere que el motor descanse.
2. Pour éteindre le moteur, suivez les instructions qui figurent dans le manuel d'utilisation.
3. SIEMPRE fusil de punto en una dirección segura y el disparador del fusil del rocío del estrujón para liberar la presión retenida de la pleamar.

IMPORTANTE: La pistola rociadora contiene agua a alta presión incluso con el motor parado y el agua desconectada.

⚠ ADVERTENCIA



La corriente de agua de alta presión que produce este equipo pueden perforar la piel y sus tejidos profundos, ocasionando lesiones serias y posible amputación.

La pistola rociadora contiene agua a alta presión incluso con el motor parado y el agua desconectada, que puede causar la herida.

- Mantenga conectada la manguera a la máquina o a la pistola de rociado cuando el sistema esté presurizado.
- SIEMPRE que pare el motor, apunte con la pistola rociadora hacia una dirección segura y apriete el gatillo para descargar la presión y evitar el retroceso. Active el seguro del gatillo cuando no utilice la pistola.

4. Active el seguro del gatillo de la pistola rociadora cuando no la utilice.

Cómo Usar las Puntas de Rociado

El conector rápido del prolongador de la boquilla admite varios tipos distintos de puntas de rociado. Cada punta de rociado proporciona un patrón de rociado diferente (Figura 25).



PRECAUCIÓN

El lavadora de presión produce un rocío alto de la presión cuál riesgo de aumentos de la herida y dañe a la unidad.

- NUNCA intercambie puntas de rocío sin haber asegurado el cerrojo de seguridad del gatillo.

Para cambiar las puntas de rociado, siga las instrucciones que se indican a continuación:

1. Coloque el pestillo de seguridad de la pistola de rociado.
2. Desplace hacia atrás el anillo del conector rápido y tire de la punta de rociado que esté montada.
3. Seleccione la punta de rociado deseada:
 - Para enjuagado suave, seleccione la punta de rociado blanca de 40° o verde de 25°.
 - Para fregar la superficie, seleccione las puntas de rociado amarilla de 15° ó roja de 0°.
 - Para aplicar productos detergente, seleccione la punta de rociado negra.
4. Desplace hacia atrás el anillo, inserte la nueva punta de rociado y suelte el anillo. Tire de la punta de rociado para comprobar que está bien montada.
5. Para una limpieza más efectiva, mantenga la boquilla de rociado de 8 a 24 pulgadas de la superficie de limpieza. Si coloca la boquilla muy cerca, podría dañar la superficie que está limpiando.
6. NO coloque la boquilla a menos de 6 pulgadas cuando esté limpiando llantas.

Limpieza y Aplicación del Químico

IMPORTANTE: Utilice detergente diseñados específicamente para máquinas lavadoras a presión. Los detergentes caseros podrían dañar la bomba.

PRECAUCIÓN

Usted deberá conectar todas las mangueras antes de darle arranque al motor.

- Arrancar el motor sin tener todas las mangueras conectadas y sin el suministro de agua ABIERTO (ON) causará el daño de la bomba.
- El daño a la lavadora a presión, resultado de la desatención a esta precaución, no será cubierto por la garantía.

Para aplicar el detergente, siga los siguientes pasos:

1. Revise el uso de las puntas de rociado.
2. Prepare la solución detergente siguiendo las instrucciones del fabricante.
3. Coloque el filtro pequeño del tubo de inyección de detergente en el recipiente del detergente.

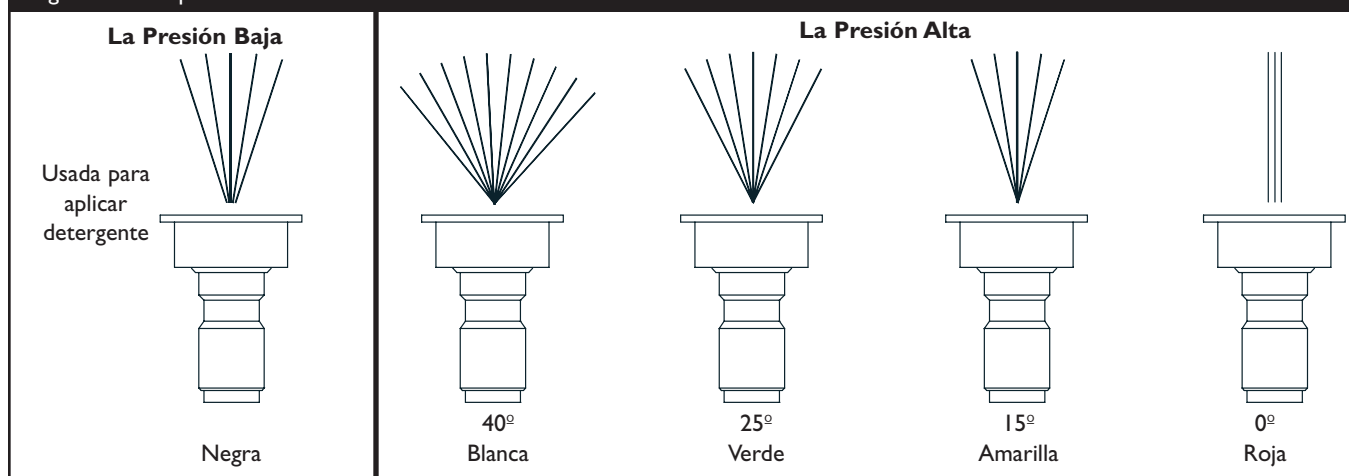
PRECAUCIÓN

Evite que el tubo de inyección de detergente entre en contacto con el silenciador caliente.

- Cuando coloque el filtro en la botella del químico, coloque el tubo de manera que no entre en contacto accidentalmente con el silenciador caliente.
4. Asegúrese de que la punta de rociado negra esté instalada en la extensión para boquillas.

NOTA: NO se puede aplicar detergente con las puntas de rociado de alta presión (Blanca, Verde, Amarilla o Roja).

Figura 25 - Boquillas




5. Asegúrese que la manguera de jardín esté conectada a la entrada del agua. Revise que la manguera de alta presión esté conectada a la pistola de rociado y a la bomba. Dele arranque al motor.
 6. Aplique el detergente sobre la superficie seca, comenzando en la parte inferior del área y dirigiéndose hacia arriba, utilizando movimientos largos, parejos y superpuestos. NO permita que el detergente se seque. Si permite que el detergente se seque, la superficie podría quedar con manchas.
 7. Permita que el detergente penetre de 3 a 5 minutos antes de enjuagar. Vuelva a aplicar cuando sea necesario para evitar que la superficie se seque.
5. Aumente (disminuya) la presión de rociado al darle vuelta a la perilla en la dirección de las manecillas del reloj (en dirección opuesta) (Vea "Conozca su Máquina Lavadora de Presión"). Use una presión más baja para lavar cosas como carros o botes. Use una presión más alta para eliminar pintura y la grasa de las calzadas.
 6. Aplique un rociado de alta presión en un área pequeña, después revise si la superficie presenta daños. Si no encuentra daños, puede continuar con el trabajo de limpieza.
 7. Comience en la parte superior del área que va a enjuagar, dirigiéndose hacia abajo con los mismos movimientos superpuestos que utilizó para la limpieza.

IMPORTANTE: Usted deberá lavar el sistema de inyección de detergente después de cada uso colocando el filtro en un balde de agua limpia y haciendo funcionar la máquina lavadora a presión de 1 a 2 minutos en el modo de baja presión.

Enjuage de la Máquina Lavadora a Presión

Después de haber aplicado el detergente, refríe la superficie y enjuágela de la siguiente manera:

1. Coloque el cerrojo de seguridad a la pistola de rociado.
2. Retire la punta de rociado negra para químicos de la extensión para boquillas.
3. Seleccione e instale la punta de rociado de alta presión que desee siguiendo las instrucciones de "Cómo Usar las Punta de Rociado".
4. Mantenga la pistola de rociado a una distancia segura del área que planea rociar.

	ADVERTENCIA
El rociado de la alta presión podría hacerlo caer si está muy cerca de la superficie de limpieza.	
<ul style="list-style-type: none"> • Mantenga la boquilla de rociado de 8 a 24 pulgadas de la superficie de limpieza. • Opere y almacene esta unidad sobre una superficie estable. • Sea extremadamente cuidadoso si usa la máquina lavadora a presión desde una escalera, andamio o cualquier superficie relativamente inestable. • Sujete firmemente la pistola rociadora con ambas manos cuando aplique un rociado a alta presión para evitar lesiones cuando se produzca el retroceso de la pistola. 	

Limpiando el Tubo

Si usted usó el tubo, usted debe lavarlo con agua limpia antes de parar el motor.

1. Coloque el filtro y la inyección detergente en un balde lleno de agua limpia.
2. Coloque el cerrojo de seguridad a la pistola de rociado.
3. Conecte la puntas de rocío negra de baja presión.
4. Lave de 1 a 2 minutos.
5. Apague el motor.
6. SIEMPRE fusil de punto en una dirección segura y el disparador del fusil del rocío del estrujón para liberar la presión retenida de la pleamar.

IMPORTANTE: La pistola rociadora contiene agua a alta presión incluso con el motor parado y el agua desconectada.

Sistema de Enfriamiento Automático (Alivio Térmico)

El agua que circula dentro de la bomba puede alcanzar temperaturas entre los 125°-155°F si hace funcionar el motor de su máquina lavadora a presión de 3 a 5 minutos sin oprimir el gatillo de la pistola de rociado. Cuando el agua alcanza dicha temperatura, el sistema de enfriamiento automático se activa y enfría la bomba **descargando agua caliente en el piso.**

ESPECIFICACIONES

Presión de Salida	3,700 PSI
Promedio de Flujo	4.0 galones por minuto (gpm)
Detergente	Use el detergente adecuado para lavadores a presión
Temperatura del Suministro de Agua	Que no pase de 100°F
Sistema de Enfriamiento Automático	Funcionará cuando el agua alcance de 125°-155°F
Peso que Embarca	155 lbs.

RECOMENDACIONES GENERALES

La garantía de la máquina lavadora a presión no cubre los elementos que han sido sujetos a abuso o negligencia por parte del operador. Para hacer válida la cobertura total de la garantía, el operador deberá mantener la lavadora de presión tal y como se indica en el manual.

NOTA: Debe tener las preguntas acerca de reemplazar los componentes en su máquina lavadora a presión, llaman por favor **1-800-743-4115** para la ayuda.

- Algunos ajustes tendrán que hacerse periódicamente para mantener adecuadamente su máquina lavadora a presión.
- Toda conservación en este manual, en la hoja de información de bomba, y en el dueño de motor manuals se debe hacer por lo menos una vez cada temporada.
- Si equipó con llantas que se puede hinchar, mantenga la presión aérea en el valor marcado en la llanta o dentro de 15 y 40 psi.

Antes de Cada Uso

- Revise el nivel de aceite del motor.
- Revise si existen daños en el colador de la entrada de agua.
- Revise si existen daños en el filtro en línea.
- Revise si existen fugas en la manguera de alta presión.
- Revise si existen daños en los filtros de detergente.
- Revise si existen fugas en el conjunto de la extensión para boquillas y pistola.
- Elimine el aire y los contaminantes de la bomba.

MANTENIMIENTO DE LA LAVADORA A PRESION

Revise y Limpie el Colador de Entrada

Examine el colador de entrada de la manguera de jardín. Límpielo si está tapado o reemplacelo si está roto.

Revise la Manguera de Alta Presión

Las mangueras de alta presión pueden desarrollar fugas debido al desgaste, dobleces o abuso. Revise la manguera antes de cada uso. Revise si existen cortes, fugas, abrasiones, levantamiento de la cubierta, daño o movimiento de los acoplamientos. Si existe cualquiera de estas condiciones, reemplace la manguera inmediatamente.



ADVERTENCIA



La corriente de agua de alta presión que produce este equipo pueden perforar la piel y sus tejidos profundos, ocasionando lesiones serias y posible amputación.

- NUNCA repare la manguera de alta presión. Reemplacela.
- Reemplacela con una manguera que cumpla con la capacidad mínima de presión de su máquina lavadora a presión.

Chequee el Tubo de Sifón del Detergente

Examine el filtro en el tubo del detergente y límpielo si se encuentra sucio. El tubo debería quedar apretado en la pieza. Examine el tubo para ver si existe cualquier tipo de goteo o está roto. Reemplace el filtro o el tubo si alguno de ellos se encuentra dañado.

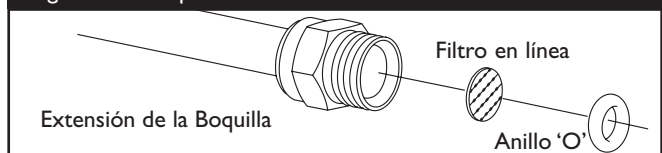
Revise la Pistola y la Extensión para Boquillas

Examine la conexión de la manguera a la pistola y cerciórese de que esté en buen estado. Pruebe el gatillo oprimiéndolo y asegurándose de que se devuelve a su sitio cuando lo suelte. Coloque el cerrojo de seguridad y pruebe el gatillo. Usted no debe ser capaz de oprimir el gatillo. Reemplace la pistola inmediatamente si falla cualquiera de estas pruebas.

Revise el Filtro en Línea

Consulte la Figura 26 y suministre servicio al filtro en línea si se tapa siguiendo estos pasos:

Figura 26 - Limpieza del filtro



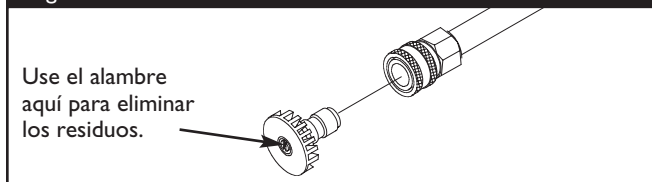
- Retire la pistola y la extensión para boquillas de la manguera de alta presión. Retire la extensión para boquillas de la pistola y retire el anillo 'o' y el colador de la extensión para boquillas. Lave el colador, pistola y extensión para boquillas con agua limpia para eliminar toda clase de residuos.
- Coloque el colador del filtro en línea en el extremo con rosca de la extensión para boquillas. Su dirección no importa. Coloque el colador ejerciendo presión con el borrador de un lápiz hasta que se asiente por completo en el fondo de la abertura. Tenga cuidado de no doblar el colador.
- Coloque el anillo 'o' en la ranura respectiva. Empuje el anillo 'o' hasta que quede ajustado contra el colador del filtro en línea.
- Conecte la extensión para boquillas a la pistola de rociado de la manera descrita anteriormente en este manual.

Mantenimiento de la Puntas de Rocío

Si siente una sensación pulsante al momento de apretar el gatillo de la pistola rociadora, puede que sea causada por la presión excesiva en la bomba. La causa principal de la presión excesiva en la bomba es cuando la punta de rocío se encuentra atascada o tapada con materiales extraños, tales como tierra, etc. Para corregir el problema, limpie inmediatamente la punta de rocío siga las instrucciones siguientes:

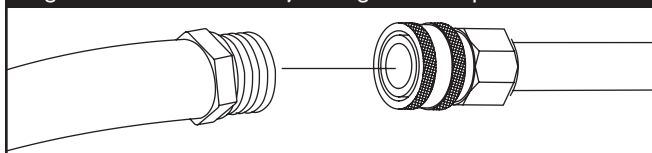
1. Apague el motor y apague el suministro de agua.
2. Remueva la punta de rocío del extremo de la extensión de la boquilla.
3. Quite el en el filtro de la línea del otro fin de la extensión de boquilla.
4. Use el pequeño sujetapapeles para liberar cualquier material extraño que esté tapando la punta de rocío (Figura 27).

Figura 27 - Mantenimiento de la Lanza



5. Usando una manguera de jardín, remueva cualquier desecho adicional, poniendo agua en la extensión de la boquilla (Figura 28). Haga ésto de 30 a 60 segundos.

Figura 28 - Suministrar Flujo de Agua a la Boquilla



6. Instale de nuevo la punta de rocío y en el filtro en-línea en la extensión.
7. Conecte de nuevo la extensión de la boquilla a la pistola rociadora.
8. Conecte de nuevo el suministro de agua, prenda el agua, y encienda el motor.
9. Pruebe el lavador a presión al hacer funcionar con cada una de las puntas de rocío de conexiones rápidas que viene con el lavador a presión.

Mantenimiento de los Anillos 'O'

Compre una O-Juego de Mantenimiento de Anillo, el artículo numera 191922GS, en avisando el más cercano servicio autorizado central. NO se incluye con la arandela de la presión. Este juego incluye los anillos del reemplazo O, arandela de caucho y filtro de cala de agua. Refiérase a la hoja de la instrucción proporcionada en el juego para atender a su unidad los anillos de s O.



ADVERTENCIA



La corriente de agua de alta presión que produce este equipo pueden perforar la piel y sus tejidos profundos, ocasionando lesiones serias y posible amputación.

- NUNCA utilice ningún tipo de sellador para reparar una fuga en una conexión. Sustituya la junta tórica o la junta.

Mantenimiento de Bomba

Cambio del Aceite de la Bomba

Cambie el aceite después de las primeras 50 horas de funcionamiento y luego, cada 200 horas o 3 meses, lo que suceda antes.

NOTA: Al cambiar el aceite de la bomba, use exclusivamente aceite no detergente de alta calidad de viscosidad 30. NO utilice aditivos especiales.

Cambie el aceite como se indica a continuación:

1. Limpie la zona de alrededor del tapón de vaciado de aceite de latón que se encuentra en la parte inferior de la bomba.
2. Retire el tapón de vaciado de aceite. Vacíe todo el aceite de la bomba en un recipiente homologado.
3. Cuando la bomba se haya vaciado completamente de aceite, vuelva a colocar el tapón de vaciado y apriételo firmemente.
4. Limpie la zona de alrededor de la varilla de nivel de aceite de la bomba. Extraiga la varilla de nivel y llene la bomba con el aceite recomendado hasta que el nivel llegue a la marca "Full" (Lleno) de la varilla (típicamente 0.43L o 15 oz.).
5. Vuelva a poner la varilla de nivel de aceite de la bomba en su lugar.
6. Limpie el aceite que se haya podido derramar.

MANTENIMIENTO DEL MOTOR

Consulte el manual del operario del motor para las instrucciones de cómo mantener adecuadamente el motor.



PRECAUCIÓN

Evite el contacto prolongado o repetido de piel con aceite usado de motor.

- El aceite usado del motor ha sido mostrado al cancer de la piel de la causa en ciertos animales del laboratorio.
- Completamente lavado expuso áreas con el jabón y el agua.



MANTENGA FUERA DE ALCANCE DE NIÑOS. NO CONTAMINE. CONSERVE los RECURSOS. VUELVA ACEITE USADO A la COLECCION CENTRA.

PREPARANDO LA UNIDAD PARA SU ALMACENAMIENTO

El agua no debe permanecer en la unidad por un largo periodo de tiempo. Los sedimentos o minerales se pueden depositar en las piezas de la bomba y "congelar" la acción de la bomba. Si usted no piensa usar el lavador a presión por más de 30 días, siga este procedimiento:

1. Vacíe el tubo de detergente, colocando el filtro en un envase lleno de agua limpia mientras esté corriendo el agua a baja presión. Lave por 1 o 2 minutos.
2. Apague el motor y déjelo enfriar; luego quite todas las mangueras. Desconecte el alambre de la bujía.
3. Vacíe todos los líquidos presentes en la bomba, halando la manecilla de retroceso hasta seis veces. Esto debería remover la mayor parte de los líquidos presentes en la bomba.
4. El salvador de la bomba de la marca del uso a previene la corrosión construye y helado de bomba.
5. Almacene la unidad en un lugar limpio y seco.

Proteger la Bomba

A protege al PumpSaver de uso de bomba a previene congelar el daño y lubrica émbolos y sellos.

NOTA: El PumpSaver están disponible sólo como un accesorio opcional. No es incluido con la arandela de la presión. Avise el más cercano servicio autorizado central para comprar PumpSaver.

Al uso PumpSaver, cerciórese la arandela de la presión se apaga y desconecta del agua del suministro. Lea y siga todas instrucciones y las advertencias dadas en el contenedor de PumpSaver.

PRECAUCIÓN

Usted deberá proteger su unidad de las temperaturas de congelamiento.

- Si no lo hace, dañará permanentemente la bomba y la unidad no podrá funcionar.
- La garantía no cubre el daño de la unidad ocasionado por congelamiento.



PRECAUCIÓN

Lea y siga todo advierte y las advertencias en el PumpSaver pueden marcar.

- Siempre protección de ojo de uso cuando se usa PumpSaver.

PRECAUCIÓN

PumpSaver goteará de la bomba después que el tratamiento y manchará madera y cemento.

- Proteja superficies de gotear PumpSaver.

NOTA: Si el PumpSaver no está disponible, ponga anticongelante RV (que no contenga alcohol) en la bomba, en una sección de 3 pies de la manguera del jardín conectada a un adaptador y halando la manecilla dos veces.

ALMACENANDO EL MOTOR

Consulte el manual del operario del motor para las instrucciones de cómo preparar adecuadamente el motor para su almacenamiento.

DIAGNOSTICOS DE AVERÍAS

Problema	Causa	Solución
La bomba presenta los siguientes problemas: no produce presión, produce una presión errada, traqueteo, pérdida de presión, bajo volumen de agua.	<ol style="list-style-type: none"> 1. Está usando la punta de rociado de baja presión (negra). 2. La entrada de agua está bloqueada. 3. Suministro de agua inadecuado. 4. La manguera de entrada está doblada o presenta fugas. 5. El colador de la manguera de entrada está tapado. 6. El suministro de agua está por encima de los 100°F. 7. La manguera de alta presión está bloqueada o presenta fugas. 8. La pistola presenta fugas. 9. La punta de rociado está obstruida. 10. Bomba defectuosa. 	<ol style="list-style-type: none"> 1. Cambie la punta de rociado a una de las tres punta de rociado de alta presión. 2. Limpie la entrada. 3. Proporcione flujo de agua adecuado. 4. Reemplace la manguera. 5. Revise y limpie el colador de la manguera de entrada. 6. Proporcione suministro de agua más fría. 7. Retire las obstrucciones de la manguera de salida. 8. Reemplace la pistola. 9. Limpie la punta de rociado. 10. Póngase en contacto con el centro de servicio Briggs & Stratton Power Products.
El detergente no se mezcla con el rociado.	<ol style="list-style-type: none"> 1. El tubo de succión de detergente no está sumergido. 2. El filtro de detergente está tapado. 3. Sucio en el filtro de la línea. 4. Está usando la punta de rociado de alta presión. 	<ol style="list-style-type: none"> 1. Coloque el tubo de succión de detergente en el detergente. 2. Limpie o reemplace el filtro/tubo de succión de detergente. 3. Vea "Cheque En el Filtro de la Línea". 4. Use la punta de rociado de baja presión (negra).
El motor se apaga durante la operación.	Sin gasolina.	Llene el tanque de combustible.

POLÍTICA DE GARANTÍA PARA EL PROPIETARIO DE UNA LAVADORA A PRESIÓN BRIGGS & STRATTON POWER PRODUCTS GROUP, LLC

Fecha de entrada en vigor: 1 de Febrero de 2006. Sustituye a todas las garantías sin fecha y a las de fecha anterior al 1 Febrero de 2006.

GARANTÍA LIMITADA

Briggs & Stratton Power Products Group, LLC reparará o sustituirá sin cargo alguno cualquier componente de la lavadora a presión que presente defectos de materiales y/o mano de obra. Los gastos de transporte de las productos enviadas para reparar o sustituir conforme a los términos de esta garantía correrán a cargo del comprador. El período de vigencia y las condiciones de esta garantía son los que se estipulan a continuación. Para obtener servicio en garantía, localice el distribuidor de servicio autorizado más próximo en nuestro mapa de distribuidores, en www.briggspowerproducts.com.

NO EXISTE NINGUNA OTRA GARANTÍA EXPLÍCITA. LAS GARANTÍAS IMPLÍCITAS, INCLUIDAS LAS DE COMERCIABILIDAD O IDONEIDAD PARA UN FIN CONCRETO, SE LIMITAN A UN AÑO A PARTIR DE LA FECHA DE COMPRA O AL LÍMITE DE TIEMPO PERMITIDO POR LA LEY. QUEDAN EXCLUIDAS TODAS LAS GARANTÍAS IMPLÍCITAS QUEDA EXCLUIDA LA RESPONSABILIDAD POR DAÑOS SECUNDARIOS Y DERIVADOS HASTA EL LÍMITE PERMITIDO POR LA LEY. Algunos países o estados no permiten limitar la duración de una garantía implícita ni excluir o limitar los daños secundarios y derivados. Por tanto, es posible que las limitaciones y exclusiones mencionadas no sean aplicables en su caso. Esta garantía le otorga determinados derechos legales y es posible que tenga otros derechos que pueden variar de un país o estado a otro.

PERÍODO DE GARANTÍA

Uso del consumidor	2 años
Uso comercial	2 años

El período de garantía comienza en la fecha de compra del primer consumidor o usuario comercial final y se prolonga durante el tiempo especificado anteriormente. "Uso del consumidor" significa uso doméstico personal por parte de un consumidor final. "Uso comercial" significa cualquier otro uso, incluidos los usos con fines comerciales, de generación de ingresos o alquiler. Una vez que el equipo se haya usado con fines comerciales, se considerará como equipo de uso comercial a efectos de esta garantía.

NO ES NECESARIO REGISTRAR LA GARANTÍA PARA OBTENER SERVICIO DE BRIGGS & STRATTON PRODUCTS. GUARDE SU RECIBO DE COMPRA. SI NO APORTA LA PRUEBA DE LA FECHA DE COMPRA INICIAL EN EL MOMENTO DE SOLICITAR EL SERVICIO EN GARANTÍA, SE UTILIZARÁ LA FECHA DE FABRICACIÓN DEL PRODUCTO PARA DETERMINAR EL PERÍODO DE GARANTÍA.

ACERCA DE LA GARANTÍA

Esperamos que disfrute de nuestra garantía y le pedimos disculpas por las molestias causadas. Cualquier distribuidor de servicio autorizado puede llevar a cabo reparaciones en garantía. La mayoría de las reparaciones en garantía se gestionan normalmente, pero algunas veces la solicitud de servicio en garantía puede no ser procedente. Por ejemplo, la garantía no será válida si el equipo presenta daños debidos al mal uso, la falta de mantenimiento, el transporte, la manipulación, el almacenamiento o la instalación inadecuados. De manera similar, la garantía quedará anulada si se ha borrado la fecha de fabricación o el número de serie de la lavadora a presión o del motor, o si el equipo ha sido alterado o modificado. Durante el período de garantía, el distribuidor de servicio autorizado podrá reparar o sustituir, a su libre elección, cualquier pieza que, previa inspección, sea defectuosa en condiciones normales de uso y servicio. Esta garantía no cubre las reparaciones y los equipos que se detallan a continuación:

- **Desgaste normal.** Al igual que cualquier otro aparato mecánico, los equipos de uso en exteriores necesitan piezas y mantenimiento periódicos para funcionar correctamente. Esta garantía no cubre las reparaciones cuando el uso normal haya agotado la vida útil de una pieza concreta del equipo.
- **Instalación y mantenimiento.** Esta garantía no cubre los equipos ni las piezas cuya instalación sea incorrecta o no haya sido autorizada, ni aquellos que hayan sido objeto de cualquier tipo de alteración, mal uso, negligencia, accidente, sobrecarga, exceso de velocidad o mantenimiento, reparación o almacenamiento inadecuados que, a nuestro juicio, haya afectado negativamente a su funcionamiento y su fiabilidad. La garantía tampoco cubre el mantenimiento normal, como los filtros de aire, los ajustes y la limpieza o la obstrucción del sistema de combustión (debido a materias químicas, suciedad, carbón, cal, y así sucesivamente).
- **Otras exclusiones.** Esta garantía excluye los elementos sujetos a desgaste, como las conectores, juntas, las juntas tóricas, las bombas que se hayan hecho funcionar sin agua y los daños derivados de accidentes, uso indebido, modificaciones, alteraciones, servicio inadecuado, congelación o deterioro químico. Los accesorios tales como pistolas, mangueras, extensiones de boquilla (varillas) y boquillas quedan excluidos de la garantía del producto. Esta garantía excluye los equipos usados o reacondicionados y los destinados a demostraciones y los fallos debidos a hechos fortuitos y a otros acontecimientos de fuerza mayor que escapan al control del fabricante.

BRIGGS & STRATTON POWER PRODUCTS GROUP, LLC
JEFFERSON, WI, EE.UU.



198188S, Rev 0, 01/13/2006

Free Manuals Download Website

<http://myh66.com>

<http://usermanuals.us>

<http://www.somanuals.com>

<http://www.4manuals.cc>

<http://www.manual-lib.com>

<http://www.404manual.com>

<http://www.luxmanual.com>

<http://aubethermostatmanual.com>

Golf course search by state

<http://golfingnear.com>

Email search by domain

<http://emailbydomain.com>

Auto manuals search

<http://auto.somanuals.com>

TV manuals search

<http://tv.somanuals.com>