



## *Illustrated Parts List*



Questions? Help is just a moment away!

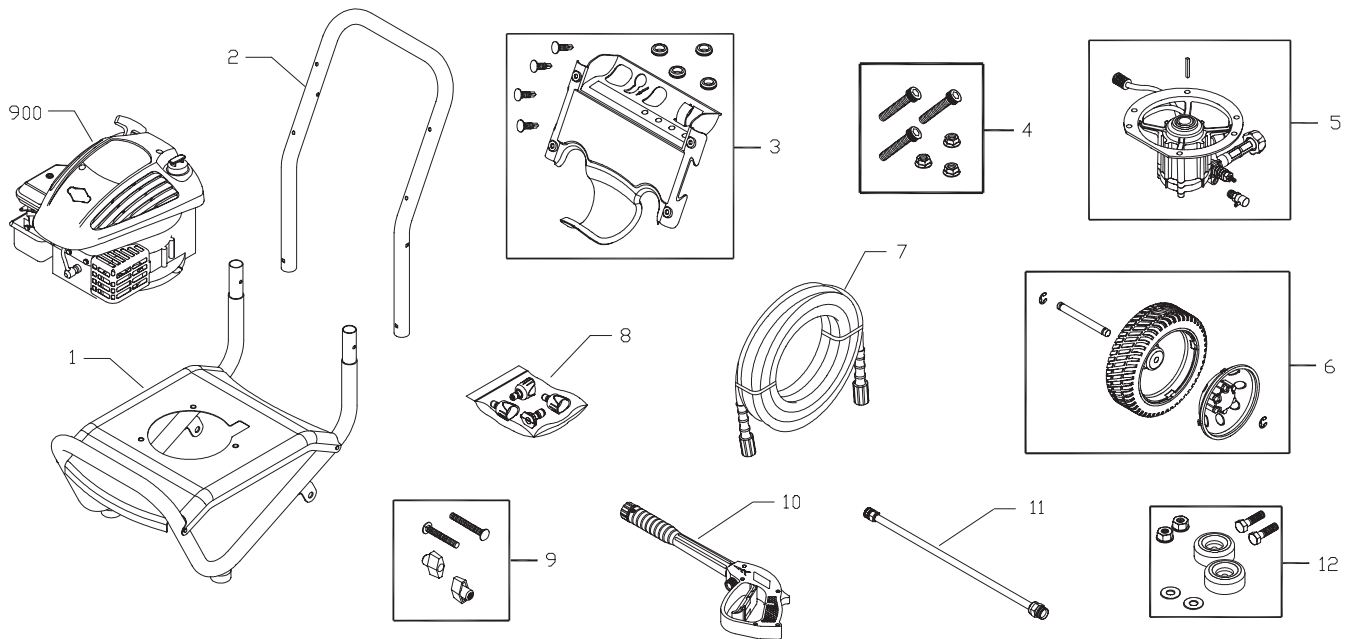
Call: **Pressure Washer Helpline**

**1-800-743-4115** M-F 8-5 CT

**BRIGGS & STRATTON POWER PRODUCTS GROUP, LLC**  
**JEFFERSON, WISCONSIN, U.S.A.**

Model No. 020305 (2200 PSI (151.7 BARS) Pressure Washer) Manual No. 203786A Revision C (05/30/2007)

# Exploded View and Parts List — Main Unit



| Item | Part #     | Description                        |
|------|------------|------------------------------------|
| 1    | 202481GS   | ASSY, Base                         |
| 2    | J199110GS  | HANDLE                             |
| 3    | 202482GS   | KIT, Billbrd Assy w/Decals & Clips |
|      | 195964GS   | Clips, Tree                        |
|      | 30809GS    | Grommet                            |
| 4    | 192649GS   | KIT, Pump Mounting Hardware        |
| 5    | 200200GS   | ASSY, Pump                         |
|      | 194298GS   | Valve, Thermal Relief              |
|      | 23139GS    | Key                                |
| 6    | 202483GS   | KIT, Wheel                         |
|      | 201313GS   | Axle                               |
|      | 200520GS   | Hubcap                             |
|      | 192050GS   | E-Ring                             |
| 7    | 202017GS   | HOSE                               |
| 8    | 202181GS   | KIT, Nozzles                       |
|      | 198841GS   | Nozzle, Soap                       |
|      | 201580AEGS | Nozzle, QC, Project Pro, Red       |
|      | 201580XGS  | Nozzle, QC, Project Pro, Orange    |
|      | 201580RGS  | Nozzle, QC, Project Pro, Yellow    |
| 9    | B2203GS    | KIT, Handle Connector              |
| 10   | 193482GS   | GUN                                |
| 11   | 200595GS   | EXTENSION                          |
| 12   | 192310GS   | KIT, Vibration Mount               |
| 900  | §          | ENGINE                             |

## Items Not Illustrated:

|           |                         |
|-----------|-------------------------|
| 203786    | MANUAL, Operator's      |
| 195015GS  | KIT, Tag/Warning Srv    |
| BB3061BGS | OIL BOTTLE              |
| 200672GS  | DECAL, Warning, Hearing |
| 202243GS  | DECAL, Shroud           |
| 793973    | ASSY, Shroud/Label      |
| 794693    | LABEL, Warning          |
| 87815GS   | GOGGLES                 |

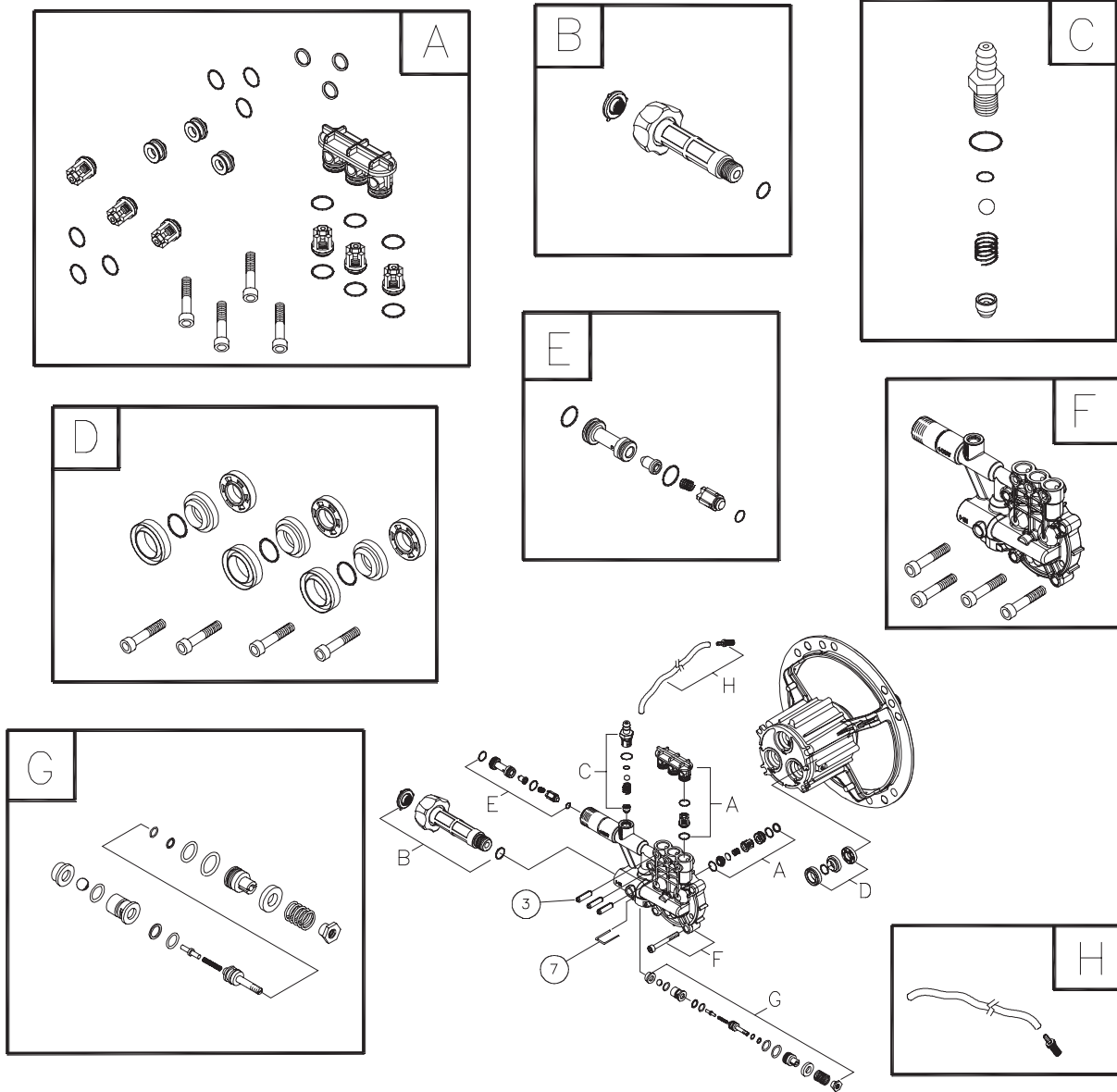
## Optional Accessories

|      |                         |
|------|-------------------------|
| 6048 | KIT, O-Ring Maintenance |
| 6039 | PUMP SAVER              |

§ - Contact Engine Manufacturer

Copyright © 2007 Briggs & Stratton Power Products Group, LLC. All rights reserved. No part of this material may be reproduced or transmitted in any form by any means without the express written permission of Briggs & Stratton Power Products Group, LLC.

# Exploded View and Parts List — Pump



| Item | Part #   | Description              |
|------|----------|--------------------------|
| 3    | 200274GS | PLUG, Elastic            |
| 7    | 190578GS | PIN                      |
| A    | 200298GS | KIT, CHECK VALVES        |
| B    | 200278GS | KIT, WATER INLET         |
| C    | 200279GS | KIT, CHEMICAL INJECTION  |
| D    | 200280GS | KIT, HIGH PRESSURE SEALS |
| E    | 200281GS | KIT, CHEM INJECT VENTURI |
| F    | 200282GS | KIT, PUMP HEAD, ALUM     |
| G    | 200283GS | KIT, BY-PASS             |
| H    | 189971GS | KIT, CHEMICAL HOSE       |

### Parts Not Illustrated

B2384GS FILTER, Inlet

**NOTE:** Item letters A - H are service kits and include all parts shown within the box.

## Free Manuals Download Website

<http://myh66.com>

<http://usermanuals.us>

<http://www.somanuals.com>

<http://www.4manuals.cc>

<http://www.manual-lib.com>

<http://www.404manual.com>

<http://www.luxmanual.com>

<http://aubethermostatmanual.com>

Golf course search by state

<http://golfingnear.com>

Email search by domain

<http://emailbydomain.com>

Auto manuals search

<http://auto.somanuals.com>

TV manuals search

<http://tv.somanuals.com>