



Illustrated Parts List



Questions? Help is just a moment away!

Call: **Pressure Washer Helpline**

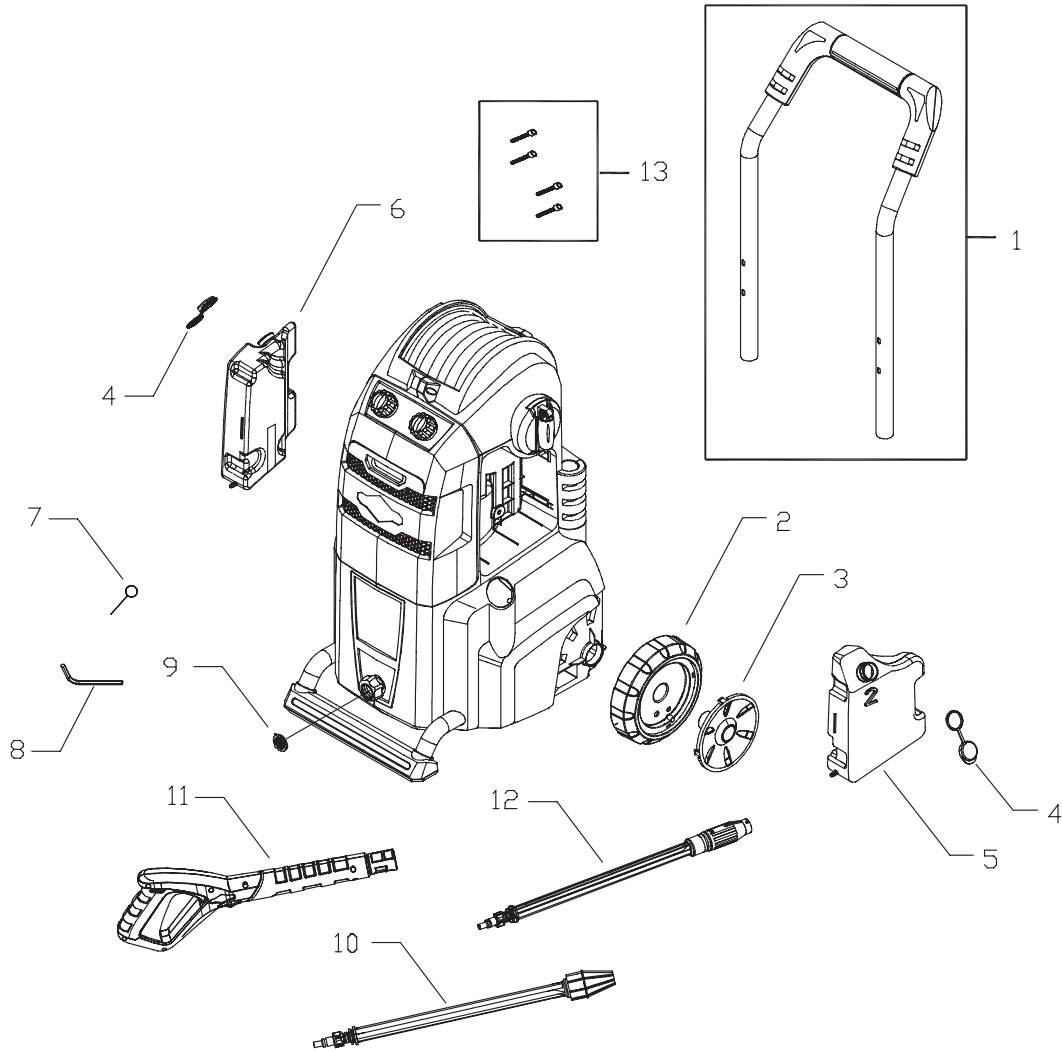
1-800-743-4115 M-F 8-5 CT

BRIGGS & STRATTON POWER PRODUCTS GROUP, LLC
JEFFERSON, WISCONSIN, U.S.A.

This pressure washer is rated in accordance to the Pressure Washer Manufacture Association (PWMA) standard PW101 (Testing and Rating Performance of Pressure Washers).

Model No. 020358 1800 PSI Electric Pressure Washer Manual No. 206077 Revision - (02/18/2008)

Exploded View and Parts List — Main Unit



Item	Part #	Description
1	206368GS	KIT, Handle
2	206363GS	WHEEL
3	206364GS	HUB, Wheel
4	206370GS	CAP, Detergent
5	206367GS	TANK, Detergent 2
6	206366GS	TANK, Detergent 1
7	96869GS	NOZZLE CLEANING TOOL
8	206369GS	WRENCH, Inner Hex
9	B2384GS	FILTER
10	206371GS	WAND, Turbo
11	206365GS	GUN
12	206372GS	WAND, High/Low Pressure
13	206384GS	KIT, Screws, Handle

Items Not Illustrated:
 206077GS MANUAL, Operator's

Copyright © 2008 Briggs & Stratton Power Products Group, LLC. All rights reserved. No part of this material may be reproduced or transmitted in any form by any means without the express written permission of Briggs & Stratton Power Products Group, LLC.

Free Manuals Download Website

<http://myh66.com>

<http://usermanuals.us>

<http://www.somanuals.com>

<http://www.4manuals.cc>

<http://www.manual-lib.com>

<http://www.404manual.com>

<http://www.luxmanual.com>

<http://aubethermostatmanual.com>

Golf course search by state

<http://golfingnear.com>

Email search by domain

<http://emailbydomain.com>

Auto manuals search

<http://auto.somanuals.com>

TV manuals search

<http://tv.somanuals.com>