



Illustrated Parts List



This pressure washer is rated in accordance to the Pressure Washer Manufacture Association (PWMA) standard PW101 (Testing and Rating Performance of Pressure Washers).

Questions? Help is just a moment away!

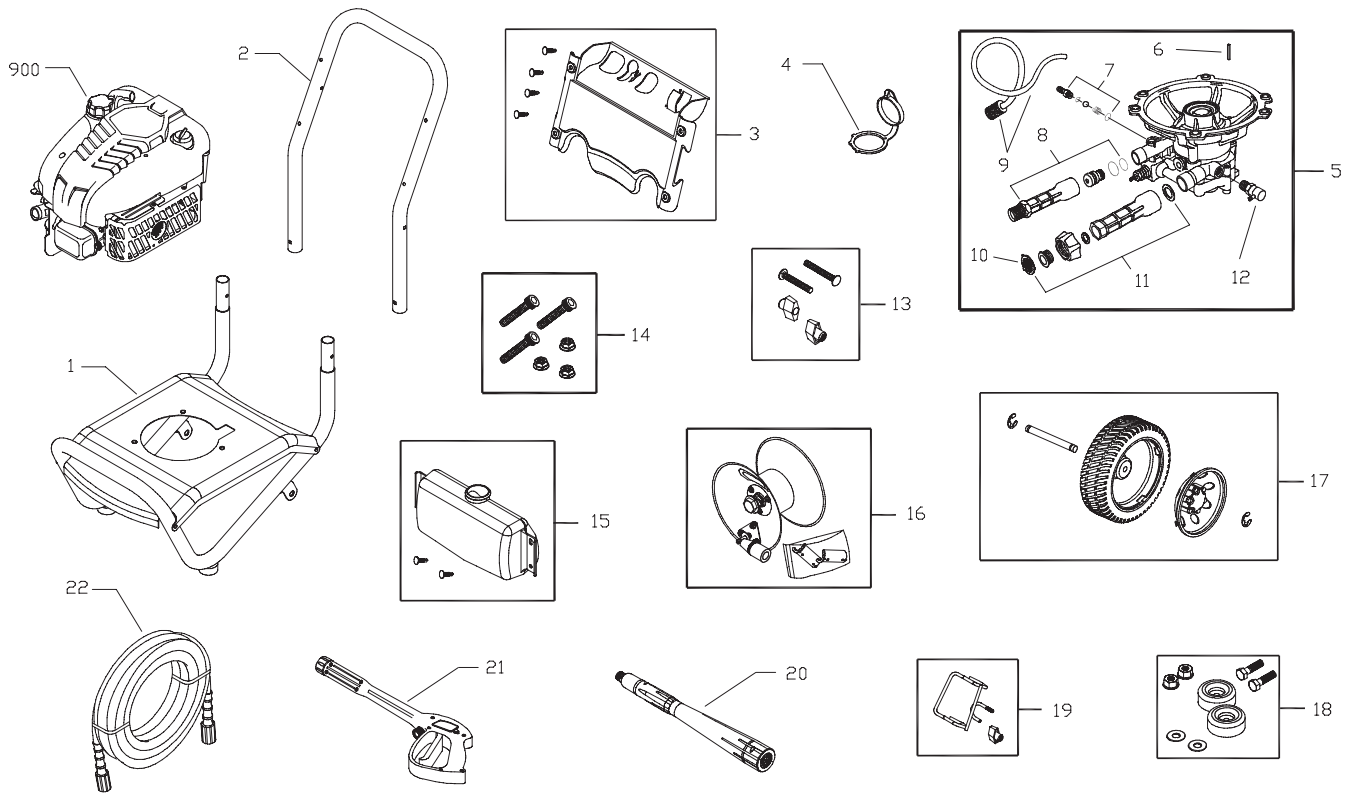
Call: **Pressure Washer Helpline**

1-800-743-4115 M-F 8-5 CT

BRIGGS & STRATTON POWER PRODUCTS GROUP, LLC
JEFFERSON, WISCONSIN, U.S.A.

Model No. 020363 (2700 PSI (186.1 BARS) Pressure Washer) Manual No. 205770A Revision - (04/09/2008)

Exploded View and Parts List — Main Unit



Item	Part #	Description
1	202791GS	BASE, w/Mounts
2	Y199110GS	HANDLE
3	206974GS	ASSY, Billboard w/Decals & Clips
	195964GS	Clip
4	B3222EGS	CAP, Chemical Tank
5	205816GS	ASSY, Pump
6	23139GS	Key
7	190593GS	Kit, Chemical Injection
8	206375GS	Kit, Water Outlet
9	189971GS	KIT, Chemical Hose/Filter
10	B2384GS	Filter, Inlet
11	206374GS	Kit, Water Inlet
12	194298GS	Valve, Thermal Relief
13	B2203GS	KIT, Handle Connector
14	203526GS	KIT, Pump Mounting Hardware
15	205369GS	KIT, Tank, Chemical w/Clips
	192980GS	Valve
16	192648GS	ASSY, Hose Reel
17	202483GS	KIT, Wheel
	201313GS	Axle
	200520GS	Hubcap
	192050GS	E-Ring
18	192310GS	KIT, Vibration Mount

Item	Part #	Description
19	201661GS	KIT, Gun Weldment
20	201202GS	ASSY, Selection Wand
21	204627GS	GUN
22	202017GS	HOSE
900	§	ENGINE

Items Not Illustrated

205770GS	MANUAL, Operator's
BB3061BGS	OIL BOTTLE
87815GS	GOGGLES
794693	DECAL, Warning
205793GS	COVER, Static
202712GS	DECAL, Recoil
205795GS	LABEL
194256GS	KIT, Tag Warning

Optional Accessories

6048	KIT, O-Ring Maintenance
6039	PUMP SAVER

§ - Contact Engine Manufacturer

Copyright © 2008 Briggs & Stratton Power Products Group, LLC. All rights reserved. No part of this material may be reproduced or transmitted in any form by any means without the express written permission of Briggs & Stratton Power Products Group, LLC.

Free Manuals Download Website

<http://myh66.com>

<http://usermanuals.us>

<http://www.somanuals.com>

<http://www.4manuals.cc>

<http://www.manual-lib.com>

<http://www.404manual.com>

<http://www.luxmanual.com>

<http://aubethermostatmanual.com>

Golf course search by state

<http://golfingnear.com>

Email search by domain

<http://emailbydomain.com>

Auto manuals search

<http://auto.somanuals.com>

TV manuals search

<http://tv.somanuals.com>